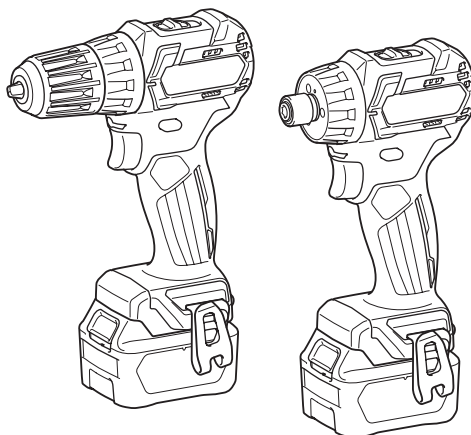




EN	Cordless Driver Drill	INSTRUCTION MANUAL	5
FR	Perceuse-Visseuse sans Fil	MANUEL D'INSTRUCTIONS	11
DE	Akku-Bohrschrauber	BETRIEBSANLEITUNG	18
IT	Trapano avvitatore a batteria	ISTRUZIONI PER L'USO	25
NL	Accuschroefboormachine	GEBRUIKSAANWIJZING	32
ES	A tornillador Taladro Inalámbrico	MANUAL DE INSTRUCCIONES	39
PT	Parafusadeira/Furadeira a Bateria	MANUAL DE INSTRUÇÕES	46
DA	Akku skrue-/boremaskine	BRUGSANVISNING	53
EL	Δραπανοκατσάβιδο μπαταρίας	ΕΓΧΕΙΡΙΔΙΟ ΟΔΗΓΙΩΝ	59
TR	Akülü Matkap Tornavida	KULLANMA KILAVUZU	66

DF332D
DF032D



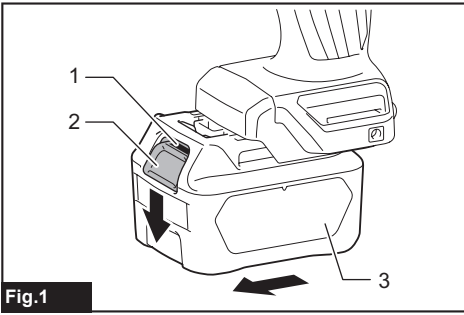


Fig.1

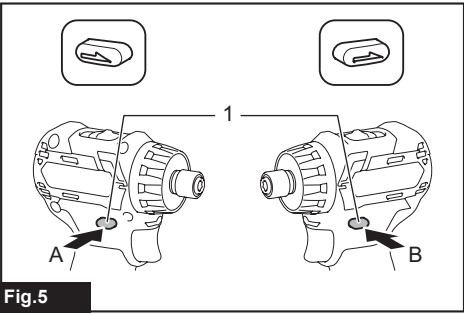


Fig.5

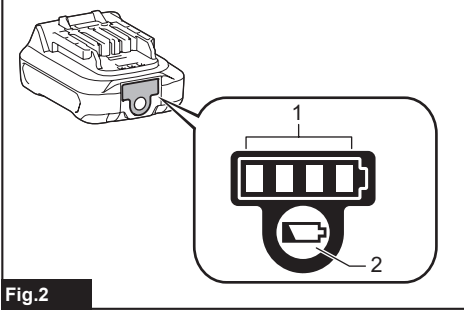


Fig.2

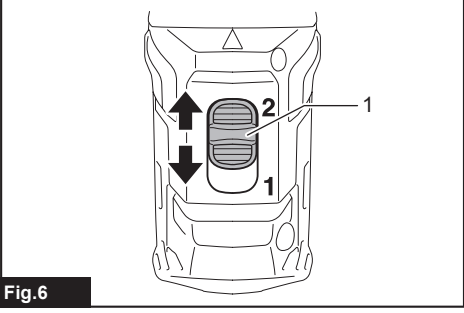


Fig.6

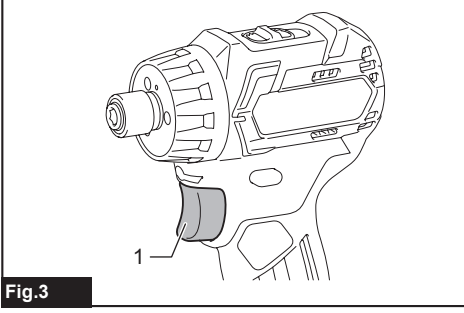


Fig.3

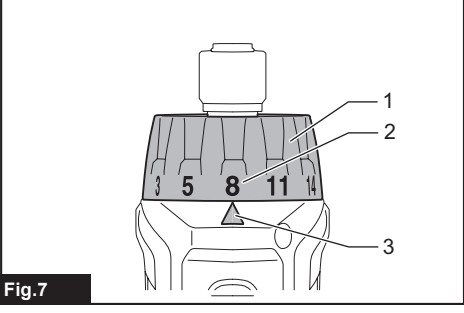


Fig.7

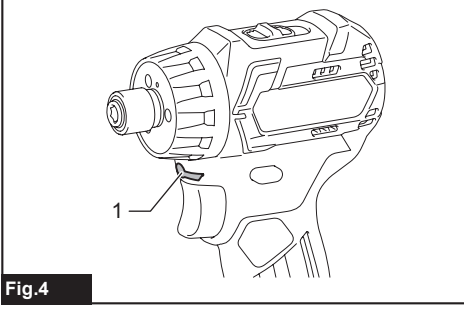


Fig.4

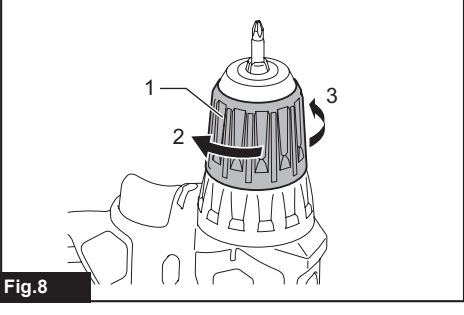


Fig.8

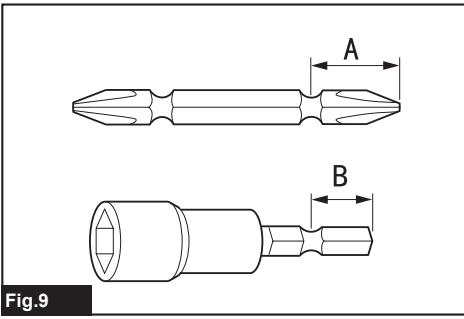


Fig.9

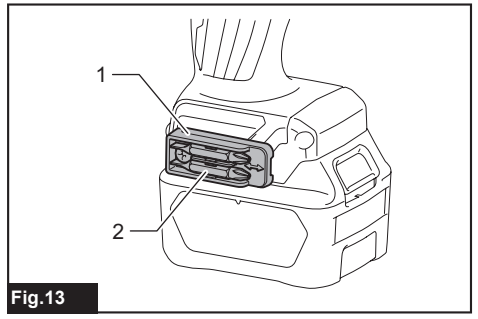


Fig.13

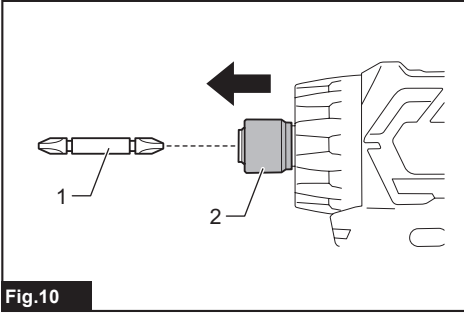


Fig.10

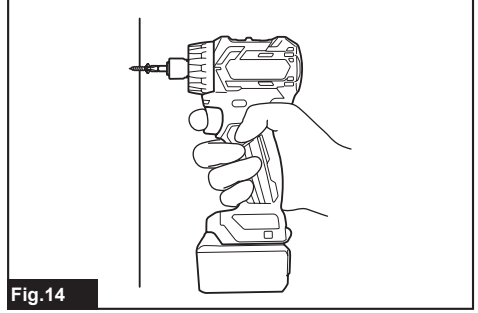


Fig.14

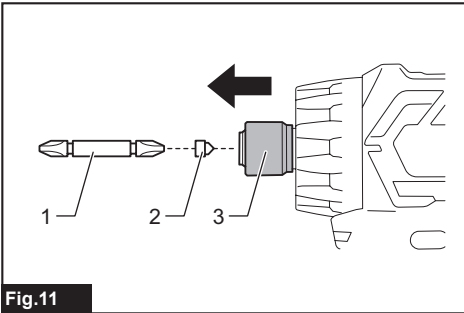


Fig.11

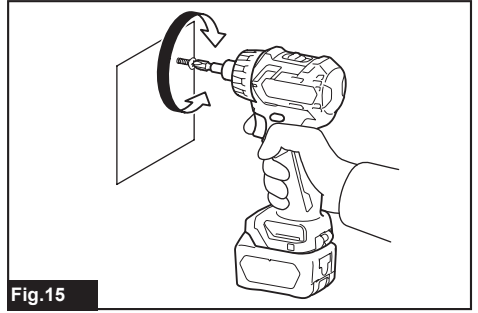


Fig.15

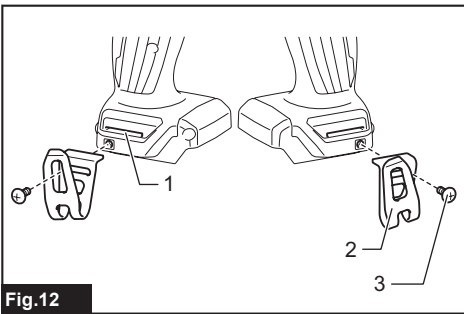


Fig.12

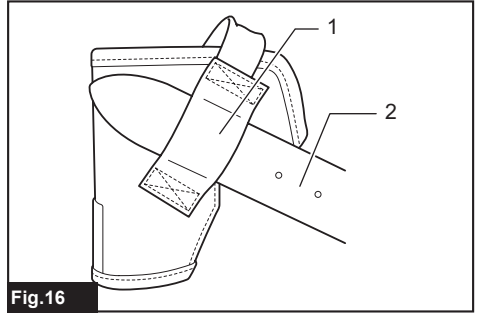


Fig.16

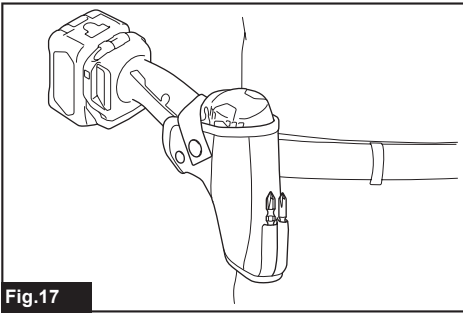


Fig.17

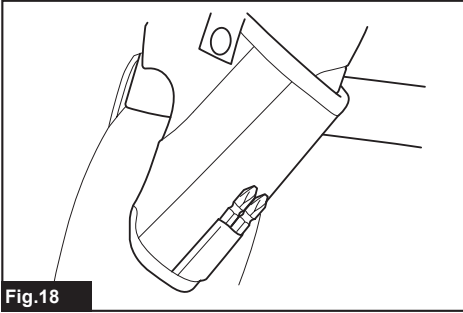


Fig.18

SPECIFICATIONS

Model:		DF332D	DF032D		
Drilling capacities	Steel	10 mm			
	Wood	28 mm			
Fastening capacities	Wood screw	5.1 mm x 63 mm			
	Machine screw	M6			
No load speed	High (2)	0 - 1,500 min ⁻¹			
	Low (1)	0 - 450 min ⁻¹			
Overall length		154 mm	124 mm		
Rated voltage		D.C. 10.8 V - 12 V max			
Battery cartridge		BL1015, BL1016, BL1020B, BL1021B	BL1040B, BL1041B	BL1015, BL1016, BL1020B, BL1021B	BL1040B, BL1041B
Net weight		1.0 kg	1.2 kg	0.88 kg	1.0 kg

- Due to our continuing program of research and development, the specifications herein are subject to change without notice.
- Specifications and battery cartridge may differ from country to country.
- Weight, with battery cartridge, according to EPTA-Procedure 01/2003

Intended use

The tool is intended for drilling and screw driving in wood, metal and plastic.

Noise

The typical A-weighted noise level determined according to EN60745:

Model DF332D

Sound pressure level (L_{pA}) : 72 dB(A)

Uncertainty (K) : 3 dB(A)

The noise level under working may exceed 80 dB (A).

Model DF032D

Sound pressure level (L_{pA}) : 71 dB(A)

Uncertainty (K) : 3 dB(A)

The noise level under working may exceed 80 dB (A).

⚠ WARNING: Wear ear protection.

Vibration

The vibration total value (tri-axial vector sum) determined according to EN60745:

Model DF332D

Work mode: drilling into metal

Vibration emission (a_{n,D}) : 2.5 m/s² or less

Uncertainty (K) : 1.5 m/s²

Model DF032D

Work mode: drilling into metal

Vibration emission (a_{n,D}) : 2.5 m/s² or less

Uncertainty (K) : 1.5 m/s²

NOTE: The declared vibration emission value has been measured in accordance with the standard test method and may be used for comparing one tool with another.

NOTE: The declared vibration emission value may also be used in a preliminary assessment of exposure.

⚠ WARNING: The vibration emission during actual use of the power tool can differ from the declared emission value depending on the ways in which the tool is used.

⚠ WARNING: Be sure to identify safety measures to protect the operator that are based on an estimation of exposure in the actual conditions of use (taking account of all parts of the operating cycle such as the times when the tool is switched off and when it is running idle in addition to the trigger time).

EC Declaration of Conformity

For European countries only

Makita declares that the following Machine(s):

Designation of Machine: Cordless Driver Drill

Model No./ Type: DF332D, DF032D

Conforms to the following European Directives: 2006/42/EC

They are manufactured in accordance with the following standard or standardized documents: EN60745

The technical file in accordance with 2006/42/EC is available from:

Makita, Jan-Baptist Vinkstraat 2, 3070, Belgium

11.6.2015



Yasushi Fukaya

Director

Makita, Jan-Baptist Vinkstraat 2, 3070, Belgium

General power tool safety warnings

⚠ WARNING: Read all safety warnings and all instructions. Failure to follow the warnings and instructions may result in electric shock, fire and/or serious injury.

Save all warnings and instructions for future reference.

The term "power tool" in the warnings refers to your mains-operated (corded) power tool or battery-operated (cordless) power tool.

Cordless driver drill safety warnings

1. Use auxiliary handle(s), if supplied with the tool. Loss of control can cause personal injury.
2. Hold the power tool by insulated gripping surfaces, when performing an operation where the cutting accessory may contact hidden wiring. Cutting accessory contacting a "live" wire may make exposed metal parts of the power tool "live" and could give the operator an electric shock.
3. Hold power tool by insulated gripping surfaces, when performing an operation where the fastener may contact hidden wiring. Fasteners contacting a "live" wire may make exposed metal parts of the power tool "live" and could give the operator an electric shock.
4. Always be sure you have a firm footing. Be sure no one is below when using the tool in high locations.
5. Hold the tool firmly.
6. Keep hands away from rotating parts.
7. Do not leave the tool running. Operate the tool only when hand-held.
8. Do not touch the drill bit or the workpiece immediately after operation; they may be extremely hot and could burn your skin.
9. Some material contains chemicals which may be toxic. Take caution to prevent dust inhalation and skin contact. Follow material supplier safety data.
10. If the drill bit cannot be loosened even you open the jaws, use pliers to pull it out. In such a case, pulling out the drill bit by hand may result in injury by its sharp edge.

SAVE THESE INSTRUCTIONS.

⚠ WARNING: DO NOT let comfort or familiarity with product (gained from repeated use) replace strict adherence to safety rules for the subject product. MISUSE or failure to follow the safety rules stated in this instruction manual may cause serious personal injury.

Important safety instructions for battery cartridge

1. Before using battery cartridge, read all instructions and cautionary markings on (1) battery charger, (2) battery, and (3) product using battery.
2. Do not disassemble battery cartridge.

3. If operating time has become excessively shorter, stop operating immediately. It may result in a risk of overheating, possible burns and even an explosion.
4. If electrolyte gets into your eyes, rinse them out with clear water and seek medical attention right away. It may result in loss of your eyesight.
5. Do not short the battery cartridge:
 - (1) Do not touch the terminals with any conductive material.
 - (2) Avoid storing battery cartridge in a container with other metal objects such as nails, coins, etc.
 - (3) Do not expose battery cartridge to water or rain.

A battery short can cause a large current flow, overheating, possible burns and even a breakdown.

6. Do not store the tool and battery cartridge in locations where the temperature may reach or exceed 50 °C (122 °F).
7. Do not incinerate the battery cartridge even if it is severely damaged or is completely worn out. The battery cartridge can explode in a fire.
8. Be careful not to drop or strike battery.
9. Do not use a damaged battery.
10. The contained lithium-ion batteries are subject to the Dangerous Goods Legislation requirements. For commercial transports e.g. by third parties, forwarding agents, special requirement on packaging and labeling must be observed. For preparation of the item being shipped, consulting an expert for hazardous material is required. Please also observe possibly more detailed national regulations. Tape or mask off open contacts and pack up the battery in such a manner that it cannot move around in the packaging.
11. Follow your local regulations relating to disposal of battery.
12. Use the batteries only with the products specified by Makita. Installing the batteries to non-compliant products may result in a fire, excessive heat, explosion, or leak of electrolyte.

SAVE THESE INSTRUCTIONS.

⚠ CAUTION: Only use genuine Makita batteries. Use of non-genuine Makita batteries, or batteries that have been altered, may result in the battery bursting causing fires, personal injury and damage. It will also void the Makita warranty for the Makita tool and charger.

Tips for maintaining maximum battery life

1. Charge the battery cartridge before completely discharged. Always stop tool operation and charge the battery cartridge when you notice less tool power.
2. Never recharge a fully charged battery cartridge. Overcharging shortens the battery service life.
3. Charge the battery cartridge with room temperature at 10 °C - 40 °C (50 °F - 104 °F). Let a hot battery cartridge cool down before charging it.

FUNCTIONAL DESCRIPTION

CAUTION: Always be sure that the tool is switched off and the battery cartridge is removed before adjusting or checking function on the tool.

Installing or removing battery cartridge

CAUTION: Always switch off the tool before installing or removing of the battery cartridge.

CAUTION: Hold the tool and the battery cartridge firmly when installing or removing battery cartridge. Failure to hold the tool and the battery cartridge firmly may cause them to slip off your hands and result in damage to the tool and battery cartridge and a personal injury.

► **Fig.1:** 1. Red indicator 2. Button 3. Battery cartridge

To remove the battery cartridge, slide it from the tool while sliding the button on the front of the cartridge.

To install the battery cartridge, align the tongue on the battery cartridge with the groove in the housing and slip it into place. Insert it all the way until it locks in place with a little click. If you can see the red indicator on the upper side of the button, it is not locked completely.

CAUTION: Always install the battery cartridge fully until the red indicator cannot be seen. If not, it may accidentally fall out of the tool, causing injury to you or someone around you.

CAUTION: Do not install the battery cartridge forcibly. If the cartridge does not slide in easily, it is not being inserted correctly.

Battery protection system

The tool is equipped with a battery protection system. This system automatically cuts off power to the motor to extend battery life.

The tool will automatically stop during operation if the tool and/or battery are placed under one of the following conditions:

Overloaded:

The tool is operated in a manner that causes it to draw an abnormally high current. In this situation, turn the tool off and stop the application that caused the tool to become overloaded. Then turn the tool on to restart. If the tool does not start, the battery is overheated. In this situation, let the battery cool before turning the tool on again.

Low battery voltage:

The remaining battery capacity is too low and the tool will not operate. If you turn the tool on, the motor runs again but stops soon. In this situation, remove and recharge the battery.

Indicating the remaining battery capacity

Only for battery cartridges with the indicator

► **Fig.2:** 1. Indicator lamps 2. Check button

Press the check button on the battery cartridge to indicate the remaining battery capacity. The indicator lamps light up for a few seconds.

Indicator lamps		Remaining capacity
Lighted	Off	
■ ■ ■ ■	□	75% to 100%
■ ■ ■ □	□	50% to 75%
■ ■ □ □	□	25% to 50%
■ □ □ □	□	0% to 25%

NOTE: Depending on the conditions of use and the ambient temperature, the indication may differ slightly from the actual capacity.

Switch action

► **Fig.3:** 1. Switch trigger

CAUTION: Before installing the battery cartridge into the tool, always check to see that the switch trigger actuates properly and returns to the "OFF" position when released.

To start the tool, simply pull the switch trigger. Tool speed is increased by increasing pressure on the switch trigger. Release the switch trigger to stop.

NOTE: The tool automatically stops if you keep pulling the switch trigger for about 6 minutes.

Lighting up the front lamp

► **Fig.4:** 1. Lamp

CAUTION: Do not look in the light or see the source of light directly.

Pull the switch trigger to light up the lamp. The lamp keeps on lighting while the switch trigger is being pulled. The lamp goes out approximately 10 seconds after releasing the switch trigger.

NOTE: Use a dry cloth to wipe the dirt off the lens of the lamp. Be careful not to scratch the lens of lamp, or it may lower the illumination.

NOTE: When the tool is overheated, the light flashes for one minute, and then the LED display goes off. In this case, cool down the tool before operating again.

Reversing switch action

► Fig.5: 1. Reversing switch lever

CAUTION: Always check the direction of rotation before operation.

CAUTION: Use the reversing switch only after the tool comes to a complete stop. Changing the direction of rotation before the tool stops may damage the tool.

CAUTION: When not operating the tool, always set the reversing switch lever to the neutral position.

This tool has a reversing switch to change the direction of rotation. Depress the reversing switch lever from the A side for clockwise rotation or from the B side for counterclockwise rotation.

When the reversing switch lever is in the neutral position, the switch trigger cannot be pulled.

Speed change

► Fig.6: 1. Speed change lever

CAUTION: Always set the speed change lever fully to the correct position. If you operate the tool with the speed change lever positioned halfway between the "1" side and "2" side, the tool may be damaged.

CAUTION: Do not use the speed change lever while the tool is running. The tool may be damaged.

Position of speed change lever	Speed	Torque	Applicable operation
1	Low	High	Heavy loading operation
2	High	Low	Light loading operation

To change the speed, switch off the tool first. Select the "2" side for high speed or "1" for low speed but high torque. Be sure that the speed change lever is set to the correct position before operation.

If the tool speed is coming down extremely during the operation with "2", slide the lever to the "1" and restart the operation.

Adjusting the fastening torque

► Fig.7: 1. Adjusting ring 2. Graduation 3. Arrow

The fastening torque can be adjusted in 21 levels by turning the adjusting ring. Align the graduations with the arrow on the tool body. You can get the minimum fastening torque at 1 and maximum torque at 21 marking.

The clutch will slip at various torque levels when set at the number 1 to 20. The clutch does not work at the 21 marking.

Before actual operation, drive a trial screw into your material or a piece of duplicate material to determine which torque level is required for a particular application.

The following shows the rough guide of the relationship between the screw size and graduation.

Graduation		1	2	3	4	5	6	7	8	9	10	11	12	13	14	15	16	17	18	19	20
Machine screw		M4				M5								M6							
Wood screw	Soft wood (e.g. pine)	-				φ3.5 x 22				φ4.1 x 38				-							
	Hard wood (e.g. lauan)	-				φ3.5 x 22				φ4.1 x 38				-							

ASSEMBLY

CAUTION: Always be sure that the tool is switched off and the battery cartridge is removed before carrying out any work on the tool.

Installing or removing driver bit/drill bit

For Model DF332D (optional accessory)

► Fig.8: 1. Sleeve 2. Close 3. Open

Turn the sleeve counterclockwise to open the chuck jaws. Place the driver bit/drill bit in the chuck as far as it will go. Turn the sleeve clockwise to tighten the chuck. To remove the driver bit/drill bit, turn the sleeve counterclockwise.

Installing or removing driver bit/socket bit

For Model DF032D (optional accessory)

► Fig.9

Use only driver bit/socket bit that has inserting portion shown in the figure. Do not use any other driver bit/socket bit.

For tool with shallow driver bit hole

A=12mm B=9mm	Use only these type of driver bit. Follow the procedure 1. (Note) Bit-piece is not necessary.
-----------------	---

For tool with deep driver bit hole

A=17mm B=14mm	To install these types of driver bits, follow the procedure 1.
A=12mm B=9mm	To install these types of driver bits, follow the procedure 2. (Note) Bit-piece is necessary for installing the bit.

- To install the driver bit, pull the sleeve in the direction of the arrow and insert the driver bit into the sleeve as far as it will go.
Then release the sleeve to secure the driver bit.
► **Fig.10:** 1. Driver bit 2. Sleeve
- To install the driver bit, pull the sleeve in the direction of the arrow and insert the bit-piece and driver bit into the sleeve as far as it will go. The bit-piece should be inserted into the sleeve with its pointed end facing in. Then release the sleeve to secure the driver bit.
► **Fig.11:** 1. Driver bit 2. Bit-piece 3. Sleeve

To remove the driver bit, pull the sleeve in the direction of the arrow and pull the driver bit out.

NOTE: If the driver bit is not inserted deep enough into the sleeve, the sleeve will not return to its original position and the driver bit will not be secured. In this case, try re-inserting the bit according to the instructions above.

NOTE: After inserting the driver bit, make sure that it is firmly secured. If it comes out, do not use it.

Installing hook

- **Fig.12:** 1. Groove 2. Hook 3. Screw

The hook is convenient for temporarily hanging the tool. This can be installed on either side of the tool. To install the hook, insert it into a groove in the tool housing on either side and then secure it with a screw. To remove, loosen the screw and then take it out.

Installing driver bit holder

Optional accessory

- **Fig.13:** 1. Driver bit holder 2. Driver bit

Fit the driver bit holder into the protrusion at the tool foot on either right or left side and secure it with a screw. When not using the driver bit, keep it in the driver bit holders. Driver bits 45 mm-long can be kept there.

OPERATION

CAUTION: Always insert the battery cartridge all the way until it locks in place. If you can see the red indicator on the upper side of the button, it is not locked completely. Insert it fully until the red indicator cannot be seen. If not, it may accidentally fall out of the tool, causing injury to you or someone around you.

CAUTION: When the speed comes down extremely, reduce the load or stop the tool to avoid the tool damage.

Hold the tool firmly with one hand on the grip and the other hand on the bottom of the battery cartridge to control the twisting action.

► **Fig.14**

Screwdriving operation


CAUTION: Adjust the adjusting ring to the proper torque level for your work.

CAUTION: Make sure that the driver bit is inserted straight in the screw head, or the screw and/or driver bit may be damaged.

Place the point of the driver bit in the screw head and apply pressure to the tool. Start the tool slowly and then increase the speed gradually. Release the switch trigger as soon as the clutch cuts in.

NOTE: When driving wood screw, pre-drill a pilot hole 2/3 the diameter of the screw. It makes driving easier and prevents splitting of the workpiece.

Drilling operation

First, turn the adjusting ring so that the arrow points to the  marking. Then proceed as follows.

Drilling in wood

When drilling in wood, the best results are obtained with wood drills equipped with a guide screw. The guide screw makes drilling easier by pulling the drill bit into the workpiece.

Drilling in metal

To prevent the drill bit from slipping when starting a hole, make an indentation with a center-punch and hammer at the point to be drilled. Place the point of the drill bit in the indentation and start drilling. Use a cutting lubricant when drilling metals. The exceptions are iron and brass which should be drilled dry.

CAUTION: Pressing excessively on the tool will not speed up the drilling. In fact, this excessive pressure will only serve to damage the tip of your drill bit, decrease the tool performance and shorten the service life of the tool.

CAUTION: Hold the tool firmly and exert care when the drill bit begins to break through the workpiece. There is a tremendous force exerted on the tool/drill bit at the time of hole break through.

CAUTION: A stuck drill bit can be removed simply by setting the reversing switch to reverse rotation in order to back out. However, the tool may back out abruptly if you do not hold it firmly.

CAUTION: Always secure workpieces in a vise or similar hold-down device.


CAUTION: If the tool is operated continuously until the battery cartridge has discharged, allow the tool to rest for 15 minutes before proceeding with a fresh battery.

Using the tool as a hand screwdriver

► Fig.15

Switch off the tool.

Move the reversing switch lever to the neutral position.

Turn the adjusting ring so that the arrow points to the  marking.

Turn the tool.

NOTE: This use is convenient for checking the screwdriving.

NOTE: Do not use the tool for work requiring excessive force, such as tightening bolt or removing rusted screws.

Using holster

Optional accessory

CAUTION: When using the holster, remove a driver bit/drill bit from the tool.

CAUTION: Turn off the tool and wait until it comes to a complete stop before placing it in the holster.

Be sure to close the holster securely with the holster button so that it holds the tool firmly.

1. Thread a waist belt or similar through holster holder.

► Fig.16: 1. Holster holder 2. Waist belt

2. Put the tool in the holster and lock it with the holster button.

► Fig.17

► Fig.18

You can keep two driver bits at the front of the holster.

MAINTENANCE

CAUTION: Always be sure that the tool is switched off and the battery cartridge is removed before attempting to perform inspection or maintenance.

NOTICE: Never use gasoline, benzine, thinner, alcohol or the like. Discoloration, deformation or cracks may result.

To maintain product SAFETY and RELIABILITY, repairs, any other maintenance or adjustment should be performed by Makita Authorized or Factory Service Centers, always using Makita replacement parts.

OPTIONAL ACCESSORIES

CAUTION: These accessories or attachments are recommended for use with your Makita tool specified in this manual. The use of any other accessories or attachments might present a risk of injury to persons. Only use accessory or attachment for its stated purpose.

If you need any assistance for more details regarding these accessories, ask your local Makita Service Center.

- Drill bits
- Driver bits
- Socket bits
- Bit piece
- Driver bit holder
- Holster
- Plastic carrying case
- Hook
- Makita genuine battery and charger

NOTE: Some items in the list may be included in the tool package as standard accessories. They may differ from country to country.

SPÉCIFICATIONS

Modèle :		DF332D	DF032D		
Capacités de perçage	Acier	10 mm			
	Bois	28 mm			
Capacités de serrage	Vis à bois	5,1 mm x 63 mm			
	Vis mécanique	M6			
Vitesse à vide	Élevée (2)	0 - 1 500 min ⁻¹			
	Basse (1)	0 - 450 min ⁻¹			
Longueur totale		154 mm	124 mm		
Tension nominale		10,8 V - 12 V CC max.			
Batterie		BL1015, BL1016, BL1020B, BL1021B	BL1040B, BL1041B	BL1015, BL1016, BL1020B, BL1021B	BL1040B, BL1041B
Poids net		1,0 kg	1,2 kg	0,88 kg	1,0 kg

- Étant donné l'évolution constante de notre programme de recherche et de développement, les spécifications contenues dans ce manuel sont sujettes à modification sans préavis.
- Les spécifications et la batterie peuvent être différentes suivant les pays.
- Poids, avec la batterie, conformément à la procédure EPTA-01/2003

Utilisations

L'outil est conçu pour percer et visser dans le bois, le métal et le plastique.

Bruit

Niveau de bruit pondéré A typique, déterminé selon EN60745 :

Modèle DF332D

Niveau de pression sonore (L_{pA}) : 72 dB (A)

Incertitude (K) : 3 dB (A)

Le niveau de bruit en fonctionnement peut dépasser 80 dB (A).

Modèle DF032D

Niveau de pression sonore (L_{pA}) : 71 dB (A)

Incertitude (K) : 3 dB (A)

Le niveau de bruit en fonctionnement peut dépasser 80 dB (A).

⚠ AVERTISSEMENT : Portez un serre-tête antibruit.

Vibrations

Valeur totale de vibrations (somme de vecteur triaxial) déterminée selon EN60745 :

Modèle DF332D

Mode de travail : perçage dans le métal

Émission de vibrations ($a_{h,D}$) : 2,5 m/s² ou moins

Incertitude (K) : 1,5 m/s²

Modèle DF032D

Mode de travail : perçage dans le métal

Émission de vibrations ($a_{h,D}$) : 2,5 m/s² ou moins

Incertitude (K) : 1,5 m/s²

NOTE : La valeur d'émission de vibrations déclarée a été mesurée conformément à la méthode de test standard et peut être utilisée pour comparer les outils entre eux.

NOTE : La valeur d'émission de vibrations déclarée peut aussi être utilisée pour l'évaluation préliminaire de l'exposition.

⚠ AVERTISSEMENT : L'émission de vibrations lors de l'usage réel de l'outil électrique peut être différente de la valeur d'émission déclarée, suivant la façon dont l'outil est utilisé.

⚠ AVERTISSEMENT : Les mesures de sécurité à prendre pour protéger l'utilisateur doivent être basées sur une estimation de l'exposition dans des conditions réelles d'utilisation (en tenant compte de toutes les composantes du cycle d'utilisation, comme par exemple le moment de sa mise hors tension, lorsqu'il tourne à vide et le moment de son déclenchement).

Déclaration de conformité CE

Pour les pays européens uniquement

Makita déclare que la ou les machines suivantes :

Désignation de la machine : Perceuse-Visseuse sans Fil

Fil

N° de modèle/Type : DF332D, DF032D

sont conformes aux Directives européennes suivantes : 2006/42/CE

et sont fabriquées conformément aux normes ou aux documents normalisés suivants : EN60745

La documentation technique conforme à la norme

2006/42/CE est disponible auprès de :

Makita, Jan-Baptist Vinkstraat 2, 3070, Belgique



Yasushi Fukaya
Directeur
Makita, Jan-Baptist Vinkstraat 2, 3070, Belgique

Consignes de sécurité générales pour outils électriques

⚠️ AVERTISSEMENT : Lisez toutes les consignes de sécurité et toutes les instructions. Il y a risque d'électrocution, d'incendie et/ou de graves blessures si les mises en garde et les instructions ne sont pas respectées.

Conservez toutes les mises en garde et instructions pour référence ultérieure.

Le terme « outil électrique » dans les avertissements fait référence à l'outil électrique alimenté par le secteur (avec cordon d'alimentation) ou à l'outil électrique fonctionnant sur batterie (sans cordon d'alimentation).

Consignes de sécurité pour perceuse-visseuse sans fil

1. Utilisez la ou les poignées auxiliaires, si l'outil en possède. Toute perte de maîtrise de l'outil comporte un risque de blessure.
2. Tenez l'outil électrique par des surfaces de prise isolées lorsque vous effectuez une tâche au cours de laquelle l'accessoire de coupe peut entrer en contact avec des fils cachés. Le contact de l'accessoire de coupe avec un fil sous tension peut transmettre du courant dans les pièces métalliques exposées de l'outil et électrocuter l'opérateur.
3. Tenez l'outil électrique par des surfaces de prise isolées lorsque vous effectuez une tâche au cours de laquelle la vis ou le boulon peut entrer en contact avec des fils cachés. Le contact de la vis ou du boulon avec un fil sous tension peut transmettre du courant dans les pièces métalliques exposées de l'outil et électrocuter l'opérateur.
4. Assurez-vous toujours de travailler en position stable. Veillez à ce que personne ne se trouve en dessous de vous quand vous utilisez l'outil en hauteur.
5. Tenez l'outil fermement.
6. Gardez les mains éloignées des pièces en rotation.
7. Ne vous éloignez pas en laissant l'outil tourner. Ne le faites fonctionner que lorsque vous l'avez bien en main.
8. Ne touchez pas le foret ou la pièce immédiatement après l'exécution du travail ; ils peuvent être extrêmement chauds et vous brûler la peau.

9. Certains matériaux contiennent des produits chimiques qui peuvent être toxiques. Prenez garde de ne pas avaler la poussière et évitez tout contact avec la peau. Suivez les données de sécurité du fournisseur du matériau.
10. Si le foret ne peut pas être desserré même en ouvrant la mâchoire, utilisez des pinces pour l'extirper. Le bord tranchant du foret risque de vous blesser si vous essayez de l'extirper manuellement.

CONSERVEZ CES INSTRUCTIONS.

⚠️ AVERTISSEMENT : NE vous laissez PAS tromper (au fil d'une utilisation répétée) par un sentiment d'aisance et de familiarité avec le produit, en négligeant le respect rigoureux des consignes de sécurité qui accompagnent le produit en question. La MAUVAISE UTILISATION de l'outil ou l'ignorance des consignes de sécurité indiquées dans ce mode d'emploi peut entraîner de graves blessures.

Consignes de sécurité importantes pour la batterie

1. Avant d'utiliser la batterie, lisez toutes les instructions et précautions relatives (1) au chargeur de batterie, (2) à la batterie, et (3) au produit utilisant la batterie.
2. Ne démontez pas la batterie.
3. Cessez immédiatement l'utilisation si le temps de fonctionnement devient excessivement court. Il y a un risque de surchauffe, de brûlures, voire d'explosion.
4. Si l'électrolyte pénètre dans vos yeux, rincez-les à l'eau claire et consultez immédiatement un médecin. Il y a un risque de perte de la vue.
5. Ne court-circuitez pas la batterie :
 - (1) Ne touchez les bornes avec aucun matériau conducteur.
 - (2) Évitez de ranger la batterie dans un conteneur avec d'autres objets métalliques, par exemple des clous, des pièces de monnaie, etc.
 - (3) N'exposez pas la batterie à l'eau ou à la pluie.
 Un court-circuit de la batterie peut provoquer une intensité de courant élevée, une surchauffe, parfois des brûlures et même une panne.
6. Ne rangez pas l'outil et la batterie dans un endroit où la température risque d'atteindre ou de dépasser 50 °C.
7. Ne jetez pas la batterie au feu même si elle est sérieusement endommagée ou complètement épuisée. La batterie peut exploser au contact du feu.
8. Évitez de laisser tomber ou de cogner la batterie.
9. N'utilisez pas la batterie si elle est endommagée.

10. **Les batteries au lithium-ion contenues sont soumises aux exigences de la législation sur les marchandises dangereuses.**

Lors du transport commercial par des tierces parties ou des transitaires par exemple, des exigences spécifiques en matière d'étiquetage et d'emballage doivent être respectées.

Pour la préparation de l'article expédié, il est nécessaire de consulter un expert en matériau dangereux. Veuillez également respecter les réglementations nationales susceptibles d'être plus détaillées.

Recouvrez les contacts exposés avec du ruban adhésif ou du ruban de masquage et emballez la batterie de telle sorte qu'elle ne puisse pas bouger dans l'emballage.

11. **Suivez les réglementations locales en matière de mise au rebut des batteries.**

12. **Utilisez les batteries uniquement avec les produits spécifiés par Makita.** L'insertion de batteries dans des produits non conformes peut provoquer un incendie, une chaleur excessive, une explosion ou une fuite de l'électrolyte.

CONSERVEZ CES INSTRUCTIONS.

ATTENTION : N'utilisez que des batteries Makita d'origine. L'utilisation de batteries de marque autre que Makita ou de batteries modifiées peut provoquer l'explosion des batteries, ce qui présente un risque d'incendie, de dommages matériels et corporels. Cela annulera également la garantie Makita pour l'outil et le chargeur Makita.

Conseils pour assurer la durée de vie optimale de la batterie

1. **Chargez la batterie avant qu'elle ne soit complètement déchargée. Arrêtez toujours l'outil et rechargez la batterie quand vous remarquez que la puissance de l'outil diminue.**
2. **Ne rechargez jamais une batterie complètement chargée. La surcharge réduit la durée de service de la batterie.**
3. **Chargez la batterie à une température ambiante comprise entre 10 °C et 40 °C. Avant de charger une batterie chaude, laissez-la refroidir.**

DESCRIPTION DU FONCTIONNEMENT

ATTENTION : Assurez-vous toujours que l'outil est hors tension et que sa batterie est retirée avant de l'ajuster ou de vérifier son fonctionnement.

Insertion ou retrait de la batterie

ATTENTION : Éteignez toujours l'outil avant de mettre en place ou de retirer la batterie.

ATTENTION : Tenez fermement l'outil et la batterie lors de la mise en place ou du retrait de la batterie. Si vous ne tenez pas fermement l'outil et la batterie, ils peuvent vous glisser des mains, et s'abîmer ou vous blesser.

► Fig.1: 1. Voyant rouge 2. Bouton 3. Batterie

Pour retirer la batterie, faites-la glisser hors de l'outil tout en faisant glisser le bouton à l'avant de la batterie.

Pour mettre en place la batterie, alignez la languette sur la batterie avec la rainure sur le compartiment et insérez-la. Insérez-la à fond jusqu'à ce qu'un léger déclic se fasse entendre. Si le voyant rouge sur le dessus du bouton est visible, cela signifie qu'elle n'est pas bien verrouillée.

ATTENTION : Insérez toujours complètement la batterie jusqu'à ce que le voyant rouge ne soit plus visible. Sinon, elle pourrait tomber accidentellement de l'outil, au risque de vous blesser ou de blesser quelqu'un se trouvant près de vous.

ATTENTION : N'insérez pas la batterie de force. Si elle ne glisse pas facilement, c'est que vous ne l'insérez pas correctement.

Système de protection de la batterie

L'outil est équipé d'un système de protection de la batterie. Ce système coupe automatiquement le courant de l'outil pour prolonger la durée de service de la batterie.

L'outil s'arrêtera automatiquement en cours d'utilisation si l'outil et/ou la batterie se trouve dans l'une ou l'autre des situations suivantes :

Surcharge :

L'outil est utilisé de manière telle qu'il consomme un courant anormalement élevé.

Dans ce cas, éteignez l'outil et arrêtez la tâche ayant provoqué la surcharge de l'outil. Puis rallumez l'outil pour reprendre la tâche.

Si l'outil ne démarre pas, c'est que la batterie a surchauffé. Dans ce cas, laissez la batterie refroidir avant de rallumer l'outil.

Faible tension de la batterie :

La charge restante de la batterie est trop faible et l'outil ne fonctionne pas. Si vous mettez l'outil sous tension, le moteur redémarre, mais s'arrête rapidement. Le cas échéant, retirez et rechargez la batterie.

Indication de la charge restante de la batterie

Uniquement pour les batteries avec voyant lumineux

► Fig.2: 1. Témoins 2. Bouton de vérification

Appuyez sur le bouton de vérification sur la batterie pour indiquer la charge restante de la batterie. Les témoins s'allument pendant quelques secondes.

Témoins		Charge restante
Allumé	Éteint	
■ ■ ■ ■	□	75 % à 100 %
■ ■ ■ □	□	50 % à 75 %
■ ■ □ □	□ □	25 % à 50 %
■ □ □ □	□ □ □ □	0 % à 25 %

NOTE : Selon les conditions d'utilisation et la température ambiante, l'indication peut être légèrement différente de la capacité réelle.

Fonctionnement de la gâchette

► Fig.3: 1. Gâchette

ATTENTION : Avant d'insérer la batterie dans l'outil, vérifiez toujours que la gâchette fonctionne bien et revient en position d'arrêt lorsque vous la relâchez.

Il suffit d'enclencher la gâchette pour démarrer l'outil. La vitesse de l'outil augmente à mesure que l'on accroît la pression exercée sur la gâchette. Pour l'arrêter, relâchez la gâchette.

NOTE : L'outil s'arrêtera automatiquement si vous continuez d'enclencher la gâchette pendant 6 minutes environ.

Allumage de la lampe avant

► Fig.4: 1. Lampe

ATTENTION : Évitez de regarder directement le faisceau lumineux ou sa source.

Enclenchez la gâchette pour allumer la lampe. La lampe reste allumée tant que la gâchette est enclenchée. La lampe s'éteint environ 10 secondes après avoir relâché la gâchette.

NOTE : Retirez la saleté sur la lentille de la lampe avec un chiffon sec. Prenez soin de ne pas érafler la lentille de la lampe sous peine de diminuer son éclairage.

NOTE : En cas de surchauffe de l'outil, la lumière clignote pendant une minute, puis l'afficheur à DEL s'éteint. Il faut alors laisser refroidir l'outil avant de le remettre en marche.

Fonctionnement de l'inverseur

► Fig.5: 1. Levier de l'inverseur

ATTENTION : Vérifiez toujours le sens de rotation avant d'utiliser l'outil.

ATTENTION : N'utilisez l'inverseur qu'une fois que l'outil est complètement arrêté. Si vous changez le sens de rotation avant l'arrêt de l'outil, vous risquez de l'endommager.

ATTENTION : Lorsque vous n'utilisez pas l'outil, placez toujours le levier de l'inverseur en position neutre.

L'outil possède un inverseur qui permet de changer le sens de rotation. Enfoncez le levier de l'inverseur du côté A pour une rotation dans le sens des aiguilles d'une montre, ou du côté B pour une rotation dans le sens inverse des aiguilles d'une montre.

La gâchette ne peut pas être enclenchée lorsque le levier de l'inverseur se trouve en position neutre.

Changement de vitesse

► Fig.6: 1. Levier de changement de vitesse

ATTENTION : Mettez toujours le levier de changement de vitesse parfaitement sur la bonne position. En utilisant l'outil avec le levier de changement de vitesse placé entre les côtés « 1 » et « 2 », vous risqueriez d'abîmer l'outil.

ATTENTION : Ne déplacez pas le levier de changement de vitesse pendant que l'outil tourne. Vous risqueriez d'abîmer l'outil.

Position du levier de changement de vitesse	Vitesse	Couple	Tâche applicable
1	Faible	Élevé	Tâche difficile
2	Élevée	Faible	Tâche facile

Pour changer de vitesse, mettez d'abord l'outil hors tension. Sélectionnez le côté « 2 » pour une vitesse élevée ou le côté « 1 » pour une vitesse lente avec couple élevé. Avant d'utiliser l'outil, assurez-vous que le levier de changement de vitesse se trouve sur la bonne position.

Si la vitesse de l'outil diminue considérablement pendant la tâche avec le réglage « 2 », faites glisser le levier sur « 1 » et recommencez.

Réglage du couple de serrage

► **Fig.7:** 1. Bague de réglage 2. Graduation 3. Flèche

Le couple de serrage peut être réglé sur un des 21 niveaux en tournant la bague de réglage. Alignez les graduations sur la flèche de l'outil. Vous pouvez obtenir un couple de serrage minimum en sélectionnant 1 et un couple maximum en sélectionnant l'indication 20.

L'engrenage glissera quand sera atteint le couple de serrage correspondant au numéro sélectionné de 1 à 20.

L'engrenage ne fonctionne pas sur l'indication 21.

Avant d'effectuer le véritable travail, faites un essai de vissage dans le matériau en question ou dans un matériau identique pour savoir quel est le niveau de couple de serrage requis pour ce travail particulier.

Vous trouverez ci-dessous une indication approximative de la relation entre la taille de vis et la graduation.

Graduation		1	2	3	4	5	6	7	8	9	10	11	12	13	14	15	16	17	18	19	20	
Vis mécanique		M4				M5						M6										
Vis à bois	Bois mou (comme le pin)	-				φ3,5 x 22				φ4,1 x 38				-								
	Bois franc (comme le méranti)	-				φ3,5 x 22						φ4,1 x 38				-						

ASSEMBLAGE

ATTENTION : Assurez-vous toujours que l'outil est hors tension et que sa batterie est retirée avant d'effectuer toute tâche dessus.

Installation ou retrait de l'embout de vissage/foret

Pour le modèle DF332D (accessoire en option)

► **Fig.8:** 1. Manchon 2. Fermer 3. Ouvrir

Tournez le manchon dans le sens contraire des aiguilles d'une montre pour ouvrir les mâchoires du mandrin.

Insérez l'embout de vissage/foret à fond dans le mandrin. Tournez le manchon dans le sens des aiguilles d'une montre pour serrer le mandrin. Pour retirer l'embout de vissage/foret, tournez le manchon dans le sens contraire des aiguilles d'une montre.

Installation ou retrait de l'embout de vissage/embout à douille

Pour le modèle DF032D (accessoire en option)

► **Fig.9**

Utilisez exclusivement un embout de vissage/embout à douille doté de la partie à insérer indiquée sur la figure. N'utilisez aucun autre embout de vissage/embout à douille.

Pour outil à orifice d'embout de vissage peu profond

A = 12 mm B = 9 mm	Utilisez exclusivement ces types d'embout de vissage. Suivez la procédure 1. (Note) Porte-embout non requis.
-----------------------	--

Pour outil à orifice d'embout de vissage profond

A = 17 mm B = 14 mm	Pour installer ces types d'embout de vissage, suivez la procédure 1.
A = 12 mm B = 9 mm	Pour installer ces types d'embout de vissage, suivez la procédure 2. (Note) Un porte-embout est requis pour installer l'embout.

1. Pour installer l'embout de vissage, tirez le manchon dans le sens de la flèche et insérez l'embout de vissage à fond dans le manchon. Libérez ensuite le manchon pour fixer l'embout de vissage.

► **Fig.10:** 1. Embout de vissage 2. Manchon

2. Pour installer l'embout de vissage, tirez le manchon dans le sens de la flèche et insérez le porte-embout et l'embout de vissage à fond dans le manchon. Le porte-embout doit être inséré dans le manchon, avec son extrémité pointue orientée vers l'intérieur du manchon. Libérez ensuite le manchon pour fixer l'embout de vissage.

► **Fig.11:** 1. Embout de vissage 2. Porte-embout 3. Manchon

Pour retirer l'embout de vissage, tirez sur le manchon dans le sens de la flèche et enlevez l'embout de vissage.

NOTE : Si l'embout de vissage n'est pas inséré assez profondément dans le manchon, celui-ci ne revient pas à sa position d'origine et l'embout de vissage ne se trouve pas bien fixé. Dans ce cas, insérez à nouveau l'embout conformément aux instructions ci-dessus.

NOTE : Après avoir inséré l'embout de vissage, assurez-vous qu'il est fermement fixé. Ne l'utilisez pas s'il sort du manchon.

Installation du crochet

► Fig.12: 1. Rainure 2. Crochet 3. Vis

L'outil est équipé d'un crochet pratique qui permet de l'accrocher temporairement. Ce crochet s'installe d'un côté comme de l'autre de l'outil. Pour installer le crochet, insérez-le dans une des rainures situées de chaque côté du carter de l'outil, puis serrez-le avec une vis. Pour l'enlever, desserrez la vis et retirez-le.

Installation du support d'embout de vissage

Accessoire en option

► Fig.13: 1. Support d'embout de vissage 2. Embout de vissage

Mettez le support d'embout de vissage dans la partie saillante du pied de l'outil, d'un côté ou de l'autre, et fixez-le à l'aide d'une vis. Lorsque vous n'utilisez pas l'embout de vissage, rangez-le dans un des supports d'embout de vissage. Ils peuvent contenir des embouts de vissage d'une longueur de 45 mm.

UTILISATION

⚠ ATTENTION : Insérez toujours la batterie à fond jusqu'à ce qu'elle se verrouille en place. Si le voyant rouge sur le dessus du bouton est visible, cela signifie qu'elle n'est pas bien verrouillée. Insérez-la complètement jusqu'à ce que le voyant rouge ne soit plus visible. Sinon, elle pourrait tomber accidentellement de l'outil, au risque de vous blesser ou de blesser quelqu'un se trouvant près de vous.

⚠ ATTENTION : Lorsque la vitesse diminue considérablement, réduisez la charge ou arrêtez l'outil pour éviter de l'abîmer.

Tenez l'outil fermement en le saisissant d'une main par la poignée et de l'autre par le dessous de la batterie, afin de résister à la force de torsion.

► Fig.14

Vissage


⚠ ATTENTION : Mettez la bague de réglage sur un niveau de couple de serrage adapté au travail à effectuer.

⚠ ATTENTION : Assurez-vous que l'embout de vissage est inséré bien droit dans la tête de vis, sinon vous risquez d'abîmer la vis et/ou l'embout de vissage.

Placez la pointe de l'embout de vissage dans la tête de vis et appliquez une pression sur l'outil. Faites démarrer l'outil lentement, puis augmentez la vitesse graduellement. Relâchez la gâchette dès que l'engrenage s'active.

NOTE : Lorsque vous insérez une vis à bois, percez d'abord un avant-trou d'un diamètre du 2/3 de celui de la vis. Cela facilitera le vissage et évitera que la pièce ne se fende.

Perçage

Tournez d'abord la bague de réglage de sorte que la flèche pointe vers l'indication . Procédez ensuite comme suit.

Perçage dans le bois

Lorsque vous percez dans le bois, vous obtiendrez un résultat optimal avec un foret à bois équipé d'une vis de guidage. La vis de guidage facilite le perçage en entraînant le foret dans la pièce.

Perçage dans le métal

Pour que le foret ne glisse pas quand vous commencez à percer le trou, faites une entaille à l'aide d'un pointeau et d'un marteau à l'emplacement prévu pour le trou. Placez la pointe du foret dans l'entaille et commencez à percer.

Utilisez un lubrifiant de coupe pour percer les métaux. Seuls le fer et le laiton doivent être percés à sec.

⚠ ATTENTION : Une pression excessive sur l'outil n'accélérera pas le perçage. En fait, la pression excessive abîmera la pointe du foret, provoquera une baisse de rendement de l'outil et réduira sa durée de service.

⚠ ATTENTION : Tenez l'outil fermement et redoublez d'attention lorsque le foret commence à sortir par la face opposée de la pièce. Une très grande force s'exerce sur l'outil/foret lorsque celui-ci émerge sur la face opposée.


⚠ ATTENTION : Un foret coincé peut être retiré en réglant simplement l'inverseur sur la rotation inverse pour faire marche arrière. L'outil peut toutefois faire brusquement marche arrière si vous ne le tenez pas fermement.

⚠ ATTENTION : Immobilisez toujours les pièces à travailler dans un étau ou un dispositif de retenue similaire.

⚠ ATTENTION : Si l'outil est utilisé de manière continue jusqu'à ce que la batterie se décharge, laissez-le reposer 15 minutes avant de poursuivre le travail avec une batterie fraîchement chargée.

Utilisation de l'outil comme un tournevis à main

► Fig.15

Mettez l'outil hors tension. Déplacez le levier de l'inverseur sur la position neutre. Tournez la bague de réglage de sorte que la flèche pointe vers l'indication . Tournez l'outil.

NOTE : Cette utilisation peut se révéler pratique pour vérifier le vissage.

NOTE : N'utilisez pas l'outil pour des tâches nécessitant une force excessive, comme le serrage de boulons ou le retrait de vis rouillées.

Utilisation de l'étui de type holster

Accessoire en option

⚠ ATTENTION : Lorsque vous utilisez l'étui de type holster, retirez l'embout de vissage/foret de l'outil.

⚠ ATTENTION : Mettez l'outil hors tension et attendez qu'il s'arrête complètement avant de le placer dans l'étui de type holster. Veillez à fermer soigneusement l'étui de type holster avec le bouton de l'étui pour qu'il retienne fermement l'outil.

1. Passez une ceinture ou un objet semblable par le passant de l'étui de type holster.

► **Fig.16:** 1. Passant de l'étui de type holster
2. Ceinture

2. Placez l'outil dans l'étui de type holster et fermez-le avec le bouton de l'étui.

► **Fig.17**

► **Fig.18**

Vous pouvez garder deux embouts de vissage sur l'avant de l'étui de type holster.

ENTRETIEN

⚠ ATTENTION : Assurez-vous toujours que l'outil est hors tension et que la batterie est retirée avant d'y effectuer tout travail d'inspection ou d'entretien.

REMARQUE : N'utilisez jamais d'essence, benzine, diluant, alcool ou autre produit similaire. Cela risquerait de provoquer la décoloration, la déformation ou la fissuration de l'outil.

Pour assurer la SÉCURITÉ et la FIABILITÉ du produit, toute réparation, tout travail d'entretien ou de réglage doivent être effectués par un centre d'entretien Makita agréé, avec des pièces de rechange Makita.

ACCESSOIRES EN OPTION

⚠ ATTENTION : Ces accessoires ou pièces complémentaires sont recommandés pour l'utilisation avec l'outil Makita spécifié dans ce mode d'emploi. L'utilisation de tout autre accessoire ou pièce complémentaire peut comporter un risque de blessure. N'utilisez les accessoires ou pièces complémentaires qu'aux fins auxquelles ils ont été conçus.

Pour obtenir plus de détails sur ces accessoires, contactez votre centre d'entretien local Makita.

- Forets
- Embouts de vissage
- Embouts à douille
- Porte-embout
- Support d'embout de vissage
- Étui de type holster
- Étui de transport en plastique
- Crochet
- Batterie et chargeur Makita d'origine

NOTE : Il se peut que certains éléments de la liste soient compris dans l'emballage de l'outil en tant qu'accessoires standard. Ils peuvent varier d'un pays à l'autre.

TECHNISCHE DATEN

Modell:		DF332D	DF032D		
Bohrkapazitäten	Stahl	10 mm			
	Holz	28 mm			
Anzugskapazitäten	Holzschraube	5,1 mm x 63 mm			
	Maschinenschraube	M6			
Leerlaufdrehzahl	Hoch (2)	0 - 1.500 min ⁻¹			
	Niedrig (1)	0 - 450 min ⁻¹			
Gesamtlänge		154 mm	124 mm		
Nennspannung		10,8 V Gleichstrom - 12 V max.			
Akku		BL 1015, BL 1016, BL 1020B, BL 1021B	BL 1040B, BL 1041B	BL 1015, BL 1016, BL 1020B, BL 1021B	BL 1040B, BL 1041B
Nettogewicht		1,0 kg	1,2 kg	0,88 kg	1,0 kg

- Wir behalten uns vor, Änderungen der technischen Daten im Zuge der Entwicklung und des technischen Fortschritts ohne vorherige Ankündigung vorzunehmen.
- Die technischen Daten und der Akku können von Land zu Land unterschiedlich sein.
- Gewicht mit Akku nach EPTA-Verfahren 01/2003

Vorgesehene Verwendung

Das Werkzeug ist für Bohren und Schrauben in Holz, Metall und Kunststoff vorgesehen.

Geräusch

Typischer A-bewerteter Geräuschpegel ermittelt gemäß EN60745:

Modell DF332D

Schalldruckpegel (L_{pA}): 72 dB (A)

Messunsicherheit (K): 3 dB (A)

Der Geräuschpegel kann während des Betriebs 80 dB (A) überschreiten.

Modell DF032D

Schalldruckpegel (L_{pA}): 71 dB (A)

Messunsicherheit (K): 3 dB (A)

Der Geräuschpegel kann während des Betriebs 80 dB (A) überschreiten.

⚠️ WARNUNG: Einen Gehörschutz tragen.

Schwingungen

Schwingungsgesamtwert (Drei-Achsen-Vektorsumme) ermittelt gemäß EN60745:

Modell DF332D

Arbeitsmodus: Bohren in Metall

Schwingungsemission ($a_{n,D}$): 2,5 m/s² oder weniger

Messunsicherheit (K): 1,5 m/s²

Modell DF032D

Arbeitsmodus: Bohren in Metall

Schwingungsemission ($a_{n,D}$): 2,5 m/s² oder weniger

Messunsicherheit (K): 1,5 m/s²

HINWEIS:

Der angegebene Schwingungsemissionswert wurde im Einklang mit der Standardprüfmethode gemessen und kann für den Vergleich zwischen Werkzeugen herangezogen werden.

HINWEIS:

Der angegebene Schwingungsemissionswert kann auch für eine Vorbewertung des Gefährdungsgrads verwendet werden.

⚠️ WARNUNG: Die Schwingungsemission während der tatsächlichen Benutzung des Werkzeugs kann je nach der Benutzungsweise des Werkzeugs vom angegebenen Emissionswert abweichen.

⚠️ WARNUNG: Identifizieren Sie Sicherheitsmaßnahmen zum Schutz des Benutzers anhand einer Schätzung des Gefährdungsgrads unter den tatsächlichen Benutzungsbedingungen (unter Berücksichtigung aller Phasen des Arbeitszyklus, wie z. B. Ausschalt- und Leerlaufzeiten des Werkzeugs zusätzlich zur Betriebszeit).

EG-Konformitätserklärung

Nur für europäische Länder

Makita erklärt, dass die folgende(n) Maschine(n):

Bezeichnung der Maschine: Akku-Bohrschrauber

Modell-Nr./Typ: DF332D, DF032D

Entspricht den folgenden europäischen Richtlinien:

2006/42/EG

Sie werden gemäß den folgenden Standards oder standardisierten Dokumenten hergestellt: EN60745

Die technische Akte in Übereinstimmung mit 2006/42/

EG ist erhältlich von:

Makita, Jan-Baptist Vinkstraat 2, 3070, Belgien



Yasushi Fukaya
Direktor
Makita, Jan-Baptist Vinkstraat 2, 3070, Belgien

Allgemeine Sicherheitswarnungen für Elektrowerkzeuge

⚠️ WARNUNG: Lesen Sie alle Sicherheitswarnungen und Anweisungen durch. Eine Missachtung der unten aufgeführten Warnungen und Anweisungen kann zu einem elektrischen Schlag, Brand und/oder schweren Verletzungen führen.

Bewahren Sie alle Warnungen und Anweisungen für spätere Bezugnahme auf.

Der Ausdruck „Elektrowerkzeug“ in den Warnhinweisen bezieht sich auf Ihr mit Netzstrom (mit Kabel) oder Akku (ohne Kabel) betriebenes Elektrowerkzeug.

Sicherheitswarnungen für Akku-Bohrschrauber

1. **Benutzen Sie (einen) Zusatzgriff(e), sofern er (sie) mit dem Werkzeug geliefert wurde(n).** Verlust der Kontrolle kann Personenschäden verursachen.
2. **Halten Sie das Elektrowerkzeug an den isolierten Griffflächen, wenn Sie Arbeiten ausführen, bei denen die Gefahr besteht, dass das Schneidwerkzeug verborgene Kabel kontaktiert.** Bei Kontakt mit einem Strom führenden Kabel können die freiliegenden Metallteile des Elektrowerkzeugs ebenfalls Strom führend werden, so dass der Benutzer einen elektrischen Schlag erleiden kann.
3. **Halten Sie das Elektrowerkzeug an den isolierten Griffflächen, wenn Sie Arbeiten ausführen, bei denen die Gefahr besteht, dass das Befestigungselement verborgene Kabel kontaktiert.** Bei Kontakt mit einem Strom führenden Kabel können die freiliegenden Metallteile des Elektrowerkzeugs ebenfalls Strom führend werden, so dass der Benutzer einen elektrischen Schlag erleiden kann.
4. **Achten Sie stets auf sicheren Stand. Vergewissern Sie sich bei Einsatz des Werkzeugs an hochgelegenen Arbeitsplätzen, dass sich keine Personen darunter aufhalten.**
5. **Halten Sie das Werkzeug mit festem Griff.**
6. **Halten Sie Ihre Hände von rotierenden Teilen fern.**
7. **Lassen Sie das Werkzeug nicht unbeaufsichtigt laufen. Benutzen Sie das Werkzeug nur mit Handhaltung.**

8. **Vermeiden Sie eine Berührung des Bohrereinsatzes oder des Werkstücks unmittelbar nach der Bearbeitung, weil die Teile noch sehr heiß sind und Hautverbrennungen verursachen können.**
9. **Manche Materialien können giftige Chemikalien enthalten. Treffen Sie Vorsichtsmaßnahmen, um das Einatmen von Arbeitsstaub und Hautkontakt zu verhindern. Befolgen Sie die Sicherheitsdaten des Materiallieferanten.**
10. **Falls der Bohrereinsatz selbst durch Öffnen der Futterbacken nicht gelöst werden kann, ziehen Sie ihn mit einer Zange heraus. In einem solchen Fall kann Herausziehen des Bohrereinsatzes von Hand zu einer Verletzung durch seine scharfe Kante führen.**

DIESE ANWEISUNGEN AUFBEWAHREN.

⚠️ WARNUNG: Lassen Sie sich NICHT durch Bequemlichkeit oder Vertrautheit mit dem Produkt (durch wiederholten Gebrauch erworben) von der strikten Einhaltung der Sicherheitsregeln für das vorliegende Produkt abhalten. **MISSBRAUCH** oder Missachtung der Sicherheitsvorschriften in dieser Anleitung können schwere Verletzungen verursachen.

Wichtige Sicherheitsanweisungen für Akku

1. **Lesen Sie vor der Benutzung des Akkus alle Anweisungen und Warnhinweise, die an (1) Ladegerät, (2) Akku und (3) Akkuwerkzeug angebracht sind.**
2. **Unterlassen Sie ein Zerlegen des Akkus.**
3. **Falls die Betriebszeit beträchtlich kürzer geworden ist, stellen Sie den Betrieb sofort ein. Anderenfalls besteht die Gefahr von Überhitzung, möglichen Verbrennungen und sogar einer Explosion.**
4. **Falls Elektrolyt in Ihre Augen gelangt, waschen Sie sie mit sauberem Wasser aus, und begeben Sie sich unverzüglich in ärztliche Behandlung. Anderenfalls können Sie Ihre Sehkraft verlieren.**
5. **Der Akku darf nicht kurzgeschlossen werden:**
 - (1) **Die Kontakte dürfen nicht mit leitfähigem Material berührt werden.**
 - (2) **Lagern Sie den Akku nicht in einem Behälter zusammen mit anderen Metallgegenständen, wie z. B. Nägel, Münzen usw.**
 - (3) **Setzen Sie den Akku weder Wasser noch Regen aus.**

Ein Kurzschluss des Akkus verursacht starken Stromfluss, der Überhitzung, mögliche Verbrennungen und einen Defekt zur Folge haben kann.
6. **Lagern Sie das Werkzeug und den Akku nicht an Orten, an denen die Temperatur 50 °C erreichen oder überschreiten kann.**

7. Versuchen Sie niemals, den Akku zu verbrennen, selbst wenn er stark beschädigt oder vollkommen verbraucht ist. Der Akku kann im Feuer explodieren.
8. Achten Sie darauf, dass der Akku nicht fallen gelassen oder Stößen ausgesetzt wird.
9. Benutzen Sie keine beschädigten Akkus.
10. Die enthaltenen Lithium-Ionen-Akkus unterliegen den Anforderungen der Gefahrgut-Gesetzgebung.
Für kommerzielle Transporte, z. B. durch Dritte oder Spediteure, müssen besondere Anforderungen zu Verpackung und Etikettierung beachtet werden.
Zur Vorbereitung des zu transportierenden Artikels ist eine Beratung durch einen Experten für Gefahrgut erforderlich. Bitte beachten Sie möglicherweise ausführlichere nationale Vorschriften. Überkleben oder verdecken Sie offene Kontakte, und verpacken Sie den Akku so, dass er sich in der Verpackung nicht umher bewegen kann.
11. Befolgen Sie die örtlichen Bestimmungen bezüglich der Entsorgung von Akkus.
12. Verwenden Sie die Akkus nur mit den von Makita angegebenen Produkten. Das Einsetzen der Akkus in nicht konforme Produkte kann zu einem Brand, übermäßiger Hitzebildung, einer Explosion oder Auslaufen von Elektrolyt führen.

DIESE ANWEISUNGEN AUFBEWAHREN.

⚠ VORSICHT: Verwenden Sie nur Original-Makita-Akkus. Die Verwendung von Nicht-Original-Makita-Akkus oder von Akkus, die abgeändert worden sind, kann zum Bersten des Akkus und daraus resultierenden Bränden, Personenschäden und Beschädigung führen. Außerdem wird dadurch die Makita-Garantie für das Makita-Werkzeug und -Ladegerät ungültig.

Hinweise zur Aufrechterhaltung der maximalen Akku-Nutzungsdauer

1. Laden Sie den Akku, bevor er vollkommen erschöpft ist. Schalten Sie das Werkzeug stets aus, und laden Sie den Akku, wenn Sie ein Nachlassen der Werkzeulleistung feststellen.
2. Unterlassen Sie erneutes Laden eines voll aufgeladenen Akkus. Überladen führt zu einer Verkürzung der Nutzungsdauer des Akkus.
3. Laden Sie den Akku bei Raumtemperatur zwischen 10 – 40 °C. Lassen Sie einen heißen Akku abkühlen, bevor Sie ihn laden.

FUNKTIONSBESCHREIBUNG

⚠ VORSICHT: Vergewissern Sie sich vor der Durchführung von Einstellungen oder Funktionsprüfungen des Werkzeugs stets, dass das Werkzeug ausgeschaltet und der Akku abgenommen ist.

Anbringen und Abnehmen des Akkus

⚠ VORSICHT: Schalten Sie das Werkzeug stets aus, bevor Sie den Akku anbringen oder abnehmen.

⚠ VORSICHT: Halten Sie das Werkzeug und den Akku beim Anbringen oder Abnehmen des Akkus sicher fest. Wenn Sie das Werkzeug und den Akku nicht sicher festhalten, können sie Ihnen aus der Hand rutschen, was zu einer Beschädigung des Werkzeugs und des Akkus und zu Körperverletzungen führen kann.

► **Abb.1:** 1. Rote Anzeige 2. Knopf 3. Akku

Ziehen Sie den Akku zum Abnehmen vom Werkzeug ab, während Sie den Knopf an der Vorderseite des Akkus verschieben.

Richten Sie zum Anbringen des Akkus dessen Führungsfeder auf die Nut im Gehäuse aus, und schieben Sie den Akku hinein. Schieben Sie ihn vollständig ein, bis er mit einem hörbaren Klicken einrastet. Falls die rote Anzeige an der Oberseite des Knopfes sichtbar ist, ist der Akku nicht vollständig verriegelt.

⚠ VORSICHT: Schieben Sie den Akku stets bis zum Anschlag ein, bis die rote Anzeige nicht mehr sichtbar ist. Anderenfalls kann er aus dem Werkzeug herausfallen und Sie oder umstehende Personen verletzen.

⚠ VORSICHT: Unterlassen Sie Gewaltanwendung beim Anbringen des Akkus. Falls der Akku nicht reibungslos hineingleitet, ist er nicht richtig ausgerichtet.

Akku-Schutzsystem

Das Werkzeug ist mit einem Akku-Schutzsystem ausgestattet. Dieses System schaltet die Stromversorgung des Motors automatisch ab, um die Akku-Lebensdauer zu verlängern.

Das Werkzeug schaltet sich während des Betriebs automatisch ab, wenn Werkzeug und/oder Akku einer der folgenden Bedingungen unterliegen:

Überlastung:

Das Werkzeug wird auf eine Weise benutzt, die eine ungewöhnlich hohe Stromaufnahme bewirkt. Schalten Sie in dieser Situation das Werkzeug aus, und brechen Sie die Arbeit ab, die eine Überlastung des Werkzeugs verursacht hat. Schalten Sie dann das Werkzeug wieder ein, um neu zu starten.
Falls das Werkzeug nicht startet, ist der Akku überhitzt. Lassen Sie den Akku in dieser Situation abkühlen, bevor Sie das Werkzeug wieder einschalten.

Niedrige Akkuspannung:









Die Akku-Restkapazität ist zu niedrig, und das Werkzeug funktioniert nicht. Wenn Sie das Werkzeug einschalten, läuft der Motor wieder an, bleibt aber bald darauf stehen. Nehmen Sie in dieser Situation den Akku ab, und laden Sie ihn auf.

Anzeigen der Akku-Restkapazität

Nur für Akkus mit Anzeige

► **Abb.2:** 1. Anzeigelampen 2. Prüftaste

Drücken Sie die Prüftaste am Akku, um die Akku-Restkapazität anzuzeigen. Die Anzeigelampen leuchten wenige Sekunden lang auf.

Anzeigelampen		Restkapazität
Erleuchtet	Aus	
		75% bis 100%
		50% bis 75%
		25% bis 50%
		0% bis 25%

HINWEIS: Abhängig von den Benutzungsbedingungen und der Umgebungstemperatur kann die Anzeige geringfügig von der tatsächlichen Kapazität abweichen.

Schalterfunktion

► **Abb.3:** 1. Ein-Aus-Schalter

⚠ VORSICHT: Vergewissern Sie sich vor dem Einsetzen des Akkus in das Werkzeug stets, dass der Ein-Aus-Schalter ordnungsgemäß funktioniert und beim Loslassen in die AUS-Stellung zurückkehrt.

Drücken Sie zum Einschalten des Werkzeugs einfach den Ein-Aus-Schalter. Die Drehzahl erhöht sich durch verstärkte Druckausübung auf den Ein-Aus-Schalter. Lassen Sie den Ein-Aus-Schalter zum Anhalten los.

HINWEIS: Das Werkzeug bleibt automatisch stehen, wenn der Ein-Aus-Schalter etwa 6 Minuten lang betätigt wird.

Einschalten der Frontlampe

► **Abb.4:** 1. Lampe

⚠ VORSICHT: Blicken Sie nicht direkt in die Lampe oder die Lichtquelle.

Betätigen Sie den Ein-Aus-Schalter, um die Lampe einzuschalten. Die Lampe bleibt erleuchtet, solange der Ein-Aus-Schalter gedrückt gehalten wird. Die Lampe erlischt ungefähr 10 Sekunden nach dem Loslassen des Ein-Aus-Schalters.

HINWEIS: Wischen Sie Schmutz auf der Lampenlinse mit einem trockenen Tuch ab. Achten Sie sorgfältig darauf, dass Sie die Lampenlinse nicht verkratzen, weil sich sonst die Lichtstärke verringert.

HINWEIS: Wenn das Werkzeug überhitzt ist, blinkt die Leuchte eine Minute lang, und dann erlischt die LED-Anzeige. Lassen Sie das Werkzeug in diesem Fall abkühlen, bevor Sie die Arbeit fortsetzen.

Funktion des Drehrichtungsumschalters

► **Abb.5:** 1. Drehrichtungsumschaltelhebel

⚠ VORSICHT: Prüfen Sie stets die Drehrichtung, bevor Sie mit der Arbeit beginnen.

⚠ VORSICHT: Betätigen Sie den Drehrichtungsumschalter erst, nachdem das Werkzeug völlig zum Stillstand gekommen ist. Durch Umschalten der Drehrichtung bei noch laufendem Werkzeug kann das Werkzeug beschädigt werden.

⚠ VORSICHT: Stellen Sie den Drehrichtungsumschaltelhebel stets auf die Neutralstellung, wenn Sie das Werkzeug nicht benutzen.

Dieses Werkzeug besitzt einen Drehrichtungsumschalter. Drücken Sie auf die Seite A des Drehrichtungsumschaltelhebels für Rechtsdrehung, und auf die Seite B für Linksdrehung. In der Neutralstellung des Drehrichtungsumschaltelhebels ist der Ein-Aus-Schalter verriegelt.

Drehzahl-Umschaltung

► **Abb.6:** 1. Drehzahlumschalthebel

⚠ VORSICHT: Achten Sie stets darauf, dass sich der Drehzahlumschalthebel vollkommen in seiner jeweiligen Rastposition befindet. Wird das Werkzeug bei einer Zwischenstellung des Drehzahlumschalters zwischen den Positionen „1“ und „2“ betrieben, kann es beschädigt werden.

⚠ VORSICHT: Betätigen Sie den Drehzahlumschalthebel nicht während des Betriebs des Werkzeugs. Das Werkzeug kann sonst beschädigt werden.


Position des Drehzahlumschalthebels	Drehzahl	Drehmoment	Zutreffender Betrieb
1	Niedrig	Hoch	Betrieb mit schwerer Last
2	Hoch	Niedrig	Betrieb mit leichter Last


Zum Ändern der Drehzahl muss das Werkzeug zuerst ausgeschaltet werden. Wählen Sie die Seite „2“ für hohe Drehzahl, oder „1“ für niedrige Drehzahl, aber hohes Drehmoment. Vergewissern Sie sich vor Arbeitsbeginn stets, dass sich der Drehzahlumschalthebel in der korrekten Stellung befindet.

Falls die Werkzeugdrehzahl während des Betriebs mit „2“ sehr stark abfällt, schieben Sie den Hebel auf die Position „1“, und starten Sie den Betrieb neu.

Einstellen des Anzugsmoments

► Abb.7: 1. Einstellung 2. Teilstrich 3. Pfeil

Das Anzugsmoment kann durch Drehen des Einstellrings in 21 Stufen eingestellt werden. Richten Sie die Teilstriche auf den Pfeil am Werkzeuggehäuse aus. Das minimale Anzugsmoment erhält man bei 1, und das maximale bei dem Symbol .

In den Stellungen 1 bis 20 rutscht die Kupplung bei Erreichen des Soll Drehmoments durch. Bei Einstellung auf das Symbol  ist die Kupplung funktionsunfähig.

Bevor Sie mit der eigentlichen Schraubarbeit beginnen, sollten Sie eine Probeverschraubung mit Ihrem Material oder einem Stück des gleichen Materials durchführen, um das geeignete Anzugsmoment zu ermitteln.

Die nachstehende Tabelle zeigt die Beziehung zwischen der Schraubengröße und dem Teilstrich als grober Anhaltspunkt.

Teilstrich		1	2	3	4	5	6	7	8	9	10	11	12	13	14	15	16	17	18	19	20	
Maschinenschraube		M4				M5								M6								
Holzschraube	Weichholz (z. B. Kiefer)	-				$\phi 3,5 \times 22$				$\phi 4,1 \times 38$				-								
	Hartholz (z. B. Lauan)	-				$\phi 3,5 \times 22$				$\phi 4,1 \times 38$				-								

MONTAGE

⚠ VORSICHT: Vergewissern Sie sich vor der Ausführung von Arbeiten am Werkzeug stets, dass das Werkzeug ausgeschaltet und der Akku abgenommen ist.

Montage und Demontage von Schraubendrehereinsatz/Bohrereinsatz

Für Modell DF332D (Sonderzubehör)

- **Abb.8:** 1. Werkzeugaufnahme 2. Schließen
3. Öffnen

Drehen Sie die Werkzeugaufnahme entgegen dem Uhrzeigersinn, um das Spannfutter zu öffnen. Führen Sie den Schraubendrehereinsatz/Bohrereinsatz bis zum Anschlag in das Spannfutter ein. Drehen Sie die Werkzeugaufnahme im Uhrzeigersinn, um das Spannfutter festzuziehen. Zum Entfernen des Schraubendrehereinsatzes/Bohrereinsatzes drehen Sie die Werkzeugaufnahme entgegen dem Uhrzeigersinn.

Montage und Demontage von Schraubendrehereinsatz/Steckschlüsseleinsatz

Für Modell DF032D (Sonderzubehör)

- **Abb.9**

Verwenden Sie nur Schraubendrehereinsätze/Steckschlüsseleinsätze, deren Einschubteil die in der Abbildung gezeigte Form hat. Verwenden Sie keinen anderen Schraubendrehereinsatz/Steckschlüsseleinsatz.

Für Werkzeug mit flacher Schraubendrehereinsatzaufnahme

A=12 mm
B=9 mm

Nur diese Schraubendrehereinsatztypen verwenden. Wenden Sie Verfahren 1 an. (Hinweis) Einsatzhalter wird nicht benötigt.

Für Werkzeug mit tiefer Schraubendrehereinsatzaufnahme

A=17 mm
B=14 mm

Zur Montage dieser Schraubendrehereinsatztypen wenden Sie Verfahren 1 an.

A=12 mm
B=9 mm

Zur Montage dieser Schraubendrehereinsatztypen wenden Sie Verfahren 2 an. (Hinweis) Für die Montage des Einsatzes wird ein Einsatzhalter benötigt.

- Ziehen Sie die Werkzeugaufnahme zum Anbringen des Schraubendrehereinsatzes in Pfeilrichtung, und führen Sie den Schraubendrehereinsatz bis zum Anschlag in die Werkzeugaufnahme ein. Lassen Sie dann die Werkzeugaufnahme los, um den Schraubendrehereinsatz zu sichern.
► **Abb.10:** 1. Schraubendrehereinsatz
2. Werkzeugaufnahme
- Ziehen Sie die Werkzeugaufnahme zum Anbringen des Schraubendrehereinsatzes in Pfeilrichtung, und führen Sie den Einsatzhalter und den Schraubendrehereinsatz bis zum Anschlag in die Werkzeugaufnahme ein. Der Einsatzhalter muss mit dem spitzen Ende nach innen in die Werkzeugaufnahme eingeschoben werden. Lassen Sie dann die Werkzeugaufnahme los, um den Schraubendrehereinsatz zu sichern.
► **Abb.11:** 1. Schraubendrehereinsatz
2. Einsatzhalter 3. Werkzeugaufnahme

Ziehen Sie die Werkzeugaufnahme zum Abnehmen des Schraubendrehereinsatzes in Pfeilrichtung, und ziehen Sie dann den Schraubendrehereinsatz heraus.

HINWEIS: Wird der Schraubendrehereinsatz nicht tief genug in die Werkzeugaufnahme eingeführt, kehrt die Werkzeugaufnahme nicht zur Ausgangsstellung zurück, so dass der Schraubendrehereinsatz nicht eingespannt wird. Versuchen Sie in diesem Fall, den Einsatz wie oben beschrieben neu einzuführen.

HINWEIS: Vergewissern Sie sich nach dem Einführen des Schraubendrehereinsatzes, dass er einwandfrei gesichert ist. Verwenden Sie ihn nicht, falls er herausrutscht.

Montieren des Aufhängers

► **Abb.12:** 1. Führungsnut 2. Aufhänger 3. Schraube

Der Aufhänger ist praktisch, um das Werkzeug vorübergehend aufzuhängen. Der Aufhänger kann auf beiden Seiten des Werkzeugs angebracht werden. Um den Aufhänger anzubringen, führen Sie ihn in die Nut entweder auf der linken oder rechten Seite des Werkzeuggehäuses ein, und sichern Sie ihn dann mit einer Schraube. Um den Aufhänger zu entfernen, lösen Sie die Schraube, und nehmen Sie dann den Aufhänger heraus.

Montieren des Schraubendreher-Einsatzhalters

Sonderzubehör

► **Abb.13:** 1. Schraubendreher-Einsatzhalter
2. Schraubendrehereinsatz

Stecken Sie den Schraubendreher-Einsatzhalter auf den Vorsprung am Werkzeugfuß entweder auf der rechten oder linken Seite, und sichern Sie ihn mit einer Schraube.

Wenn Sie den Schraubendrehereinsatz nicht benutzen, bewahren Sie ihn in den Schraubendreher-Einsatzhaltern auf. Schraubendrehereinsätze von 45 mm Länge können dort aufbewahrt werden.

BETRIEB

⚠VORSICHT: Führen Sie den Akku immer vollständig ein, bis er einrastet. Falls die rote Anzeige an der Oberseite des Knopfes sichtbar ist, ist der Akku nicht vollständig verriegelt. Schieben Sie ihn bis zum Anschlag ein, bis die rote Anzeige nicht mehr sichtbar ist. Anderenfalls kann er aus dem Werkzeug herausfallen und Sie oder umstehende Personen verletzen.

⚠VORSICHT: Wenn die Drehzahl sehr stark abfällt, verringern Sie die Last, oder halten Sie das Werkzeug an, um Beschädigung des Werkzeugs zu vermeiden.

Halten Sie das Werkzeug mit einer Hand am Griff und mit der anderen Hand an der Unterseite des Akkus fest, um der Drehwirkung entgegenzuwirken.

► **Abb.14**

Schraubetrieb


⚠VORSICHT: Stellen Sie mit dem Einstellring das korrekte Anzugsmoment für Ihre Arbeit ein.

⚠VORSICHT: Achten Sie darauf, dass die Spitze des Schraubendrehereinsatzes senkrecht in den Schraubenkopf eingeführt wird, um eine Beschädigung von Schraube und/oder Schraubendrehereinsatz zu vermeiden.

Setzen Sie die Spitze des Schraubendrehereinsatzes in den Schraubenkopf ein, und üben Sie Druck auf das Werkzeug aus. Lassen Sie das Werkzeug langsam anlaufen, und erhöhen Sie dann die Drehzahl allmählich. Lassen Sie den Ein-Aus-Schalter los, sobald die Kupplung durchrutscht.

HINWEIS: Wenn Sie Holzschrauben eindrehen, bohren Sie eine Führungsbohrung von 2/3 des Schraubendurchmessers vor. Dies erleichtert das Eindrehen und verhindert Spaltung des Werkstücks.

Bohrbetrieb

Drehen Sie zunächst den Einstellring, bis der Pfeil auf das Symbol  zeigt. Gehen Sie dann folgendermaßen vor.

Bohren in Holz

Beim Bohren in Holz lassen sich die besten Ergebnisse mit Holzbohrern erzielen, die mit einer Zentrierspitze ausgestattet sind. Die Zentrierspitze erleichtert das Bohren, da sie den Bohrereinsatz in das Werkstück hineinzieht.

Bohren in Metall

Um Abrutschen des Bohrereinsatzes beim Anbohren zu vermeiden, empfiehlt es sich, die Bohrstelle mit einem Zentriertkörnchen anzukörnen. Setzen Sie dann die Spitze des Bohrereinsatzes in die Vertiefung, und beginnen Sie mit dem Bohren.

Verwenden Sie Schneidflüssigkeit beim Bohren von Metall. Eisen und Messing sollten jedoch trocken gebohrt werden.

⚠ VORSICHT: Übermäßige Druckausübung auf das Werkzeug bewirkt keine Beschleunigung der Bohrleistung. Im Gegenteil; übermäßiger Druck führt zu einer Beschädigung der Spitze des Bohrereinsatzes und damit zu einer Verringerung der Leistungsfähigkeit sowie zu einer Verkürzung der Lebensdauer des Werkzeugs.

⚠ VORSICHT: Halten Sie daher das Werkzeug mit festem Griff und lassen Sie Vorsicht walten, wenn der Bohrereinsatz im Begriff ist, aus dem Werkstück auszutreten. Beim Bohrungsdurchbruch wirkt ein hohes Rückdrehmoment auf Werkzeug und Bohrereinsatz.


⚠ VORSICHT: Ein festsitzender Bohrereinsatz lässt sich durch einfaches Umschalten der Drehrichtung wieder herausdrehen. Dabei sollten Sie aber das Werkzeug gut festhalten, damit es nicht ruckartig herausgestoßen wird.

⚠ VORSICHT: Spannen Sie Werkstücke stets in einen Schraubstock oder eine ähnliche Aufspannvorrichtung ein.

⚠ VORSICHT: Wenn das Werkzeug im Dauerbetrieb bis zur vollkommenen Entladung des Akkus benutzt wurde, lassen Sie das Werkzeug vor dem Fortsetzen des Betriebs mit einem frischen Akku 15 Minuten lang ruhen.

Verwendung des Werkzeugs als Handschrauber

► Abb.15

Schalten Sie das Werkzeug aus.
Stellen Sie den Drehrichtungsumschalthebel auf die Neutralstellung.
Drehen Sie den Einstellring, bis der Zeiger auf das Symbol  zeigt.
Drehen Sie das Werkzeug.

HINWEIS: Diese Benutzungsweise ist praktisch, um Schraubverbindungen zu prüfen.

HINWEIS: Benutzen Sie das Werkzeug nicht für Arbeiten, die einen hohen Kraftaufwand erfordern, z. B. zum Anziehen von Bolzen oder zum Herausdrehen rostiger Schrauben.

Verwendung des Halfters

Sonderzubehör

⚠ VORSICHT: Wenn Sie das Halfter benutzen, entfernen Sie den Schraubendrehereinsatz/Bohrereinsatz vom Werkzeug.

⚠ VORSICHT: Schalten Sie das Werkzeug aus, und warten Sie, bis es zum vollständigen Stillstand gekommen ist, bevor Sie es in das Halfter stecken.
Schließen Sie das Halfter einwandfrei mit dem Halfterknopf, damit das Werkzeug sicher gehalten wird.

1. Ziehen Sie einen Hüftgurt o. Ä. durch den Halfterhalter.

► **Abb.16:** 1. Halfterhalter 2. Hüftgurt

2. Stecken Sie das Werkzeug in das Halfter, und sichern Sie es mit dem Halfterknopf.

► **Abb.17**

► **Abb.18**

Sie können zwei Schraubendrehereinsätze an der Vorderseite des Halfters aufbewahren.

WARTUNG

⚠ VORSICHT: Vergewissern Sie sich vor der Durchführung von Inspektions- oder Wartungsarbeiten stets, dass das Werkzeug ausgeschaltet und der Akku abgenommen ist.

ANMERKUNG: Verwenden Sie auf keinen Fall Benzin, Waschbenzin, Verdünnern, Alkohol oder dergleichen. Solche Mittel können Verfärbung, Verformung oder Rissbildung verursachen.

Um die SICHERHEIT und ZUVERLÄSSIGKEIT dieses Produkts zu gewährleisten, sollten Reparaturen und andere Wartungs- oder Einstellarbeiten nur von Makita-Vertragswerkstätten oder Makita-Kundendienstzentren unter ausschließlicher Verwendung von Makita-Originalersatzteilen ausgeführt werden.

SONDERZUBEHÖR

⚠ VORSICHT: Die folgenden Zubehörteile oder Vorrichtungen werden für den Einsatz mit dem in dieser Anleitung beschriebenen Makita-Werkzeug empfohlen. Die Verwendung anderer Zubehörteile oder Vorrichtungen kann eine Verletzungsgefahr darstellen. Verwenden Sie Zubehörteile oder Vorrichtungen nur für ihren vorgesehenen Zweck.

Wenn Sie weitere Einzelheiten bezüglich dieser Zubehörteile benötigen, wenden Sie sich bitte an Ihre Makita-Kundendienststelle.

- Bohrereinsätze
- Schraubendrehereinsätze
- Steckschlüsseinsätze
- Einsatzhalter
- Schraubendreher-Einsatzhalter
- Halfter
- Plastikkoffer
- Aufhänger
- Original-Makita-Akku und -Ladegerät

HINWEIS: Manche Teile in der Liste können als Standardzubehör im Werkzeugsatz enthalten sein. Sie können von Land zu Land unterschiedlich sein.

DATI TECNICI

Modello:		DF332D	DF032D		
Capacità di foratura	Acciaio	10 mm			
	Legno	28 mm			
Capacità di serraggio	Vite per legno	5,1 mm x 63 mm			
	Vite per metallo	M6			
Velocità a vuoto	Alta (2)	0 - 1.500 min ⁻¹			
	Bassa (1)	0 - 450 min ⁻¹			
Lunghezza totale		154 mm	124 mm		
Tensione nominale		10,8 V - 12 V CC max.			
Cartuccia della batteria		BL1015, BL1016, BL1020B, BL1021B	BL1040B, BL1041B	BL1015, BL1016, BL1020B, BL1021B	BL1040B, BL1041B
Peso netto		1,0 kg	1,2 kg	0,88 kg	1,0 kg

- A causa del nostro programma continuativo di ricerca e sviluppo, i dati tecnici sono soggetti a modifiche senza preavviso.
- I dati tecnici e la cartuccia della batteria potrebbero differire da nazione a nazione.
- Peso, con cartuccia della batteria, secondo la Procedura EPTA 01/2003

Utilizzo previsto

Questo utensile è progettato per la foratura e l'avvitatura delle viti in legno, metallo e plastica.

Rumore

Livello tipico di rumore pesato A determinato in base allo standard EN60745:

Modello DF332D

Livello di pressione sonora (L_{pA}): 72 dB (A)

Incertezza (K): 3 dB (A)

Il livello del rumore nelle condizioni di lavoro può superare gli 80 dB (A).

Modello DF032D

Livello di pressione sonora (L_{pA}): 71 dB (A)

Incertezza (K): 3 dB (A)

Il livello del rumore nelle condizioni di lavoro può superare gli 80 dB (A).

⚠AVVERTIMENTO: Indossare protezioni per le orecchie.

Vibrazioni

Valore totale delle vibrazioni (somma vettoriale triassiale) determinato in base allo standard EN60745:

Modello DF332D

Modalità di lavoro: foratura del metallo

Emissione di vibrazioni ($a_{h,D}$): 2,5 m/s² o inferiore

Incertezza (K): 1,5 m/s²

Modello DF032D

Modalità di lavoro: foratura del metallo

Emissione di vibrazioni ($a_{h,D}$): 2,5 m/s² o inferiore

Incertezza (K): 1,5 m/s²

NOTA: Il valore di emissione delle vibrazioni dichiarato è stato misurato in conformità al metodo standard di verifica, e può essere utilizzato per confrontare un utensile con un altro.

NOTA: Il valore di emissione delle vibrazioni dichiarato può venire utilizzato anche per una valutazione preliminare dell'esposizione.

⚠AVVERTIMENTO: L'emissione delle vibrazioni durante l'utilizzo effettivo dell'utensile elettrico può variare rispetto al valore di emissione dichiarato, a seconda dei modi in cui viene utilizzato l'utensile.

⚠AVVERTIMENTO: Accertarsi di identificare le misure di sicurezza per la protezione dell'operatore basate sulla stima dell'esposizione nelle condizioni effettive di utilizzo (tenendo presente tutte le parti del ciclo operativo, ad esempio le volte in cui l'utensile viene spento e quando gira a vuoto, oltre al tempo di attivazione).

Dichiarazione CE di conformità

Modello solo per le nazioni europee

Makita dichiara che la/le macchina/e seguente/i:

Designazione della macchina: Trapano avvitatore a batteria

N. modello/Tipo: DF332D, DF032D

È conforme alle seguenti Direttive Europee:

2006/42/CE

È stata fabbricata in conformità allo standard e ai documenti standardizzati seguenti: EN60745

Il file tecnico in conformità alla normativa 2006/42/CE è disponibile presso:

Makita, Jan-Baptist Vinkstraat 2, 3070, Belgio



Yasushi Fukaya
Amministratore
Makita, Jan-Baptist Vinkstraat 2, 3070, Belgio

Avvertenze generali relative alla sicurezza dell'utensile elettrico

⚠️ AVVERTIMENTO: Leggere tutte le avvertenze relative alla sicurezza e tutte le istruzioni. La mancata osservanza delle avvertenze e delle istruzioni può risultare in scosse elettriche, incendi e/o gravi lesioni personali.

Conservare tutte le avvertenze e le istruzioni come riferimento futuro.

Il termine "utensile elettrico" nelle avvertenze si riferisce sia all'utensile elettrico (cablato) nel funzionamento alimentato da rete elettrica che all'utensile elettrico (a batteria) nel funzionamento alimentato a batteria.

Avvertenze per la sicurezza del trapano avvitatore a batteria

1. **Utilizzare la maniglia o le maniglie ausiliarie, se in dotazione con l'utensile.** La perdita di controllo può causare lesioni personali.
2. **Tenere l'utensile elettrico per le sue superfici di impugnatura isolate quando si intende eseguire un'operazione in cui l'accessorio di taglio potrebbe entrare in contatto con fili elettrici nascosti.** Un accessorio di taglio che entri in contatto con un filo elettrico sotto tensione potrebbe mettere sotto tensione le parti metalliche esposte dell'utensile elettrico e dare una scossa elettrica all'operatore.
3. **Tenere l'utensile elettrico per le sue superfici di impugnatura isolate, quando si intende eseguire un'operazione in cui un elemento di fissaggio potrebbe entrare in contatto con fili elettrici nascosti.** Gli elementi di fissaggio che entrino in contatto con un filo elettrico sotto tensione potrebbero mettere sotto tensione le parti metalliche esposte dell'utensile elettrico e dare una scossa elettrica all'operatore.
4. **Accertarsi sempre di appoggiare i piedi saldamente.** Quando si intende utilizzare l'utensile in ubicazioni elevate, accertarsi sempre che non sia presente alcuna persona sotto.
5. **Tenere saldamente l'utensile.**
6. **Tenere le mani lontane dalle parti rotanti.**
7. **Non lasciare l'utensile mentre sta funzionando.** Far funzionare l'utensile solo mentre lo si tiene in mano.
8. **Non toccare la punta per trapano o il pezzo immediatamente dopo l'uso; la loro temperatura potrebbe essere estremamente elevata e potrebbero causare ustioni.**

9. **Alcuni materiali contengono sostanze chimiche che potrebbero essere tossiche.** Fare attenzione a evitare l'inalazione della polvere e il contatto con la pelle. Attenersi ai dati relativi alla sicurezza del fornitore del materiale.
10. **Qualora non sia possibile liberare la punta per trapano anche se si aprono le griffe, utilizzare delle pinze per estrarla.** In questa circostanza, qualora si estraiga la punta per trapano con la mano, si potrebbero causare lesioni personali dovute al suo bordo affilato.

CONSERVARE LE PRESENTI ISTRUZIONI.

⚠️ AVVERTIMENTO: NON lasciare che la comodità o la familiarità d'uso con il prodotto (acquisita con l'uso ripetuto) sostituiscano la stretta osservanza delle norme di sicurezza. L'USO IMPROPRIO o la mancata osservanza delle norme di sicurezza riportate nel presente manuale manuale di istruzioni potrebbero causare lesioni personali gravi.

Istruzioni di sicurezza importanti per la cartuccia della batteria

1. **Prima di utilizzare la cartuccia della batteria, leggere tutte le istruzioni e le avvertenze riportate (1) sul caricabatteria, (2) sulla batteria e (3) sul prodotto che utilizza la batteria.**
2. **Non smontare la cartuccia della batteria.**
3. **Qualora il tempo di utilizzo si riduca eccessivamente, interrompere immediatamente l'utilizzo dell'utensile.** In caso contrario, si può incorrere nel rischio di surriscaldamento, possibili ustioni e persino un'esplosione.
4. **Qualora l'elettrolita entri in contatto con gli occhi, sciacquarli con acqua pulita e richiedere immediatamente assistenza medica.** Questa eventualità può risultare nella perdita della vista.
5. **Non cortocircuitare la cartuccia della batteria:**
 - (1) **Non toccare i terminali con alcun materiale conduttivo.**
 - (2) **Evitare di conservare la cartuccia della batteria in un contenitore insieme ad altri oggetti metallici quali chiodi, monete, e così via.**
 - (3) **Non esporre la cartuccia della batteria all'acqua o alla pioggia.**

Un cortocircuito della batteria può causare un grande flusso di corrente, un surriscaldamento, possibili ustioni e persino un guasto.
6. **Non conservare l'utensile e la cartuccia della batteria in ubicazioni in cui la temperatura possa raggiungere o superare i 50°C.**
7. **Non incenerire la cartuccia della batteria anche qualora sia gravemente danneggiata o completamente esaurita.** La cartuccia della batteria può esplodere se a contatto con il fuoco.
8. **Fare attenzione a non far cadere e a non colpire la batteria.**
9. **Non utilizzare una batteria danneggiata.**

10. **Le batterie a ioni di litio contenute sono soggette ai requisiti del regolamento sul trasporto di merci pericolose (Dangerous Goods Legislation).**

Per trasporti commerciali, ad esempio da parte di terzi o spedizionieri, è necessario osservare dei requisiti speciali sull'imballaggio e sull'etichetta. Per la preparazione dell'articolo da spedire, è richiesta la consulenza di un esperto in materiali pericolosi. Attenersi anche alle normative nazionali, che potrebbero essere più dettagliate. Nastrire o coprire i contatti aperti e imballare la batteria in modo tale che non si possa muovere liberamente all'interno dell'imballaggio.

11. **Attenersi alle normative locali relative allo smaltimento della batteria.**
12. **Utilizzare le batterie esclusivamente con i prodotti specificati da Makita.** L'installazione delle batterie in prodotti non compatibili potrebbe risultare in incendi, calore eccessivo, esplosioni o perdite di liquido elettrolitico.

CONSERVARE LE PRESENTI ISTRUZIONI.

ATTENZIONE: Utilizzare solo batterie originali Makita. L'utilizzo di batterie Makita non originali, o di batterie che siano state alterate, potrebbe risultare nello scoppio della batteria, causando incendi, lesioni personali e danni. Inoltre, ciò potrebbe invalidare la garanzia Makita per l'utensile e il caricabatterie Makita.

Suggerimenti per preservare la durata massima della batteria

1. **Caricare la cartuccia della batteria prima che si scarichi completamente. Smettere sempre di utilizzare l'utensile e caricare la cartuccia della batteria quando si nota che la potenza dell'utensile è diminuita.**
2. **Non ricaricare mai una cartuccia della batteria completamente carica. La sovraccarica riduce la vita utile della batteria.**
3. **Caricare la cartuccia della batteria a una temperatura ambiente compresa tra 10°C e 40°C. Lasciar raffreddare una cartuccia della batteria prima di caricarla.**

DESCRIZIONE DELLE FUNZIONI

ATTENZIONE: Accertarsi sempre che l'utensile sia spento e che la cartuccia della batteria sia stata rimossa prima di regolare o di controllare il funzionamento dell'utensile.

Installazione o rimozione della cartuccia della batteria

ATTENZIONE: Spegnerne sempre l'utensile prima di installare o rimuovere la cartuccia della batteria.

ATTENZIONE: Mantenere saldamente lo strumento e la batteria quando si intende installare o rimuovere la cartuccia della batteria. Qualora non si mantengano saldamente lo strumento e la cartuccia della batteria, questi ultimi potrebbero scivolare dalle mani, con la possibilità di causare un danneggiamento dello strumento e della cartuccia della batteria, nonché una lesione personale.

► Fig.1: 1. Indicatore rosso 2. Pulsante 3. Cartuccia della batteria

Per rimuovere la cartuccia della batteria, farla scorrere via dall'utensile mentre si fa scorrere allo stesso tempo il pulsante sulla parte anteriore della cartuccia.

Per installare la cartuccia della batteria, allineare l'appendice della batteria con la scanalatura nell'alloggiamento e farla scivolare in sede. Inserirli completamente fino al suo blocco in sede con un leggero scatto. Se è possibile vedere l'indicatore rosso sul lato superiore del pulsante, la batteria non è bloccata completamente.

ATTENZIONE: Installare sempre fino in fondo la cartuccia della batteria, fino a quando l'indicatore rosso non è più visibile. In caso contrario, la batteria potrebbe cadere accidentalmente dall'utensile, causando lesioni personali all'operatore o a chi gli è vicino.

ATTENZIONE: Non installare forzatamente la cartuccia della batteria. Qualora la batteria non si inserisca scorrendo agevolmente, vuol dire che non viene inserita correttamente.

Sistema di protezione della batteria

L'utensile è dotato di un sistema di protezione della batteria. Questo sistema interrompe automaticamente l'alimentazione al motore per prolungare la vita utile della batteria. L'utensile si arresta automaticamente durante il funzionamento qualora l'utensile stesso e/o la batteria vengano a trovarsi in una delle condizioni seguenti:

Sovraccarico:

L'utensile viene utilizzato in modo tale da causare un assorbimento di corrente elevato in modo anomalo da parte dell'utensile stesso.

In questa situazione, spegnere l'utensile e interrompere l'applicazione che ha causato il sovraccarico dell'utensile. Quindi, accendere l'utensile per ricominciare. Qualora l'utensile non si avvii, la batteria è surriscaldata. In questa situazione, lasciar raffreddare la batteria prima di riaccendere l'utensile.

Bassa tensione della batteria:

La carica residua della batteria è troppo bassa e non è possibile utilizzare l'utensile. Se si accende l'utensile, il motore gira di nuovo, ma si arresta dopo poco. In tal caso, rimuovere e ricaricare la batteria.

Indicazione della carica residua della batteria

Solo per cartucce delle batterie dotate di indicatore

► Fig.2: 1. Indicatori luminosi 2. Pulsante di controllo

Premere il pulsante di controllo sulla cartuccia della batteria per indicare la carica residua della batteria. Gli indicatori luminosi si illuminano per alcuni secondi.

Indicatori luminosi		Carica residua
■ Illuminato	□ Spento	
■ ■ ■ ■		Dal 75% al 100%
■ ■ ■ □		Dal 50% al 75%
■ ■ □ □		Dal 25% al 50%
■ □ □ □		Dallo 0% al 25%

NOTA: A seconda delle condizioni d'uso e della temperatura ambiente, l'indicazione potrebbe variare leggermente rispetto alla carica effettiva.

Funzionamento dell'interruttore

► Fig.3: 1. Interruttore a grilletto

ATTENZIONE: Prima di inserire la cartuccia della batteria nell'utensile, controllare sempre che l'interruttore a grilletto funzioni correttamente e torni sulla posizione "OFF" quando viene rilasciato.

Per avviare l'utensile, è sufficiente premere l'interruttore a grilletto. La velocità dell'utensile viene aumentata incrementando la pressione sull'interruttore a grilletto. Rilasciare l'interruttore a grilletto per arrestare l'utensile.

NOTA: L'utensile si arresta automaticamente se si tiene premuto l'interruttore a grilletto per circa 6 minuti.

Accensione della lampadina anteriore

► Fig.4: 1. Lampadina

ATTENZIONE: Non osservare né guardare direttamente la fonte di luce.

Premere l'interruttore a grilletto per accendere la lampadina. La lampadina resta accesa fintanto che l'interruttore a grilletto è premuto. La lampadina si spegne circa 10 secondi dopo che si è rilasciato l'interruttore a grilletto.

NOTA: Per pulire la sporcizia dalla lente della lampadina, utilizzare un panno asciutto. Fare attenzione a non graffiare la lente della lampadina, altrimenti si potrebbe ridurre l'illuminazione.

NOTA: Quando l'utensile è surriscaldato, la lampadina lampeggia per un minuto, quindi il display a LED si spegne. In tal caso, lasciar raffreddare l'utensile prima di riprenderne l'utilizzo.

Uso del commutatore di inversione della rotazione

► Fig.5: 1. Leva del commutatore di inversione della rotazione

ATTENZIONE: Controllare sempre la direzione di rotazione prima dell'uso.

ATTENZIONE: Utilizzare il commutatore di inversione della rotazione solo dopo l'arresto completo dell'utensile. Qualora si cambi la direzione di rotazione prima dell'arresto dell'utensile, si potrebbe danneggiare quest'ultimo.

ATTENZIONE: Quando l'utensile non è in uso, impostare sempre la leva del commutatore di inversione della rotazione sulla posizione centrale.

Questo utensile è dotato di un commutatore di inversione della rotazione, per cambiare la direzione di rotazione. Premere la leva del commutatore di inversione della rotazione dal lato A per la rotazione in senso orario, o dal lato B per la rotazione in senso antiorario. Quando la leva del commutatore di inversione della rotazione si trova sulla posizione centrale, non è possibile premere l'interruttore a grilletto.

Modifica della velocità

► Fig.6: 1. Leva di modifica della velocità

ATTENZIONE: Impostare sempre la leva di modifica della velocità con precisione sulla posizione corretta. Qualora si utilizzi l'utensile con la leva di modifica della velocità su una posizione intermedia tra il lato "1" e il lato "2", l'utensile potrebbe venire danneggiato.


ATTENZIONE: Non utilizzare la leva di modifica della velocità mentre l'utensile è in funzione. In caso contrario, l'utensile potrebbe venire danneggiato.


Posizione della leva di modifica della velocità	Velocità	Coppia	Operazione applicabile
1	Bassa	Alta	Operazione a carico elevato
2	Alta	Bassa	Operazione a basso carico

Per modificare la velocità, spegnere prima l'utensile. Selezionare il lato "2" per l'alta velocità o il lato "1" per la bassa velocità con coppia elevata. Accertarsi che la leva di modifica della velocità sia impostata sulla posizione corretta prima di procedere con il lavoro. Qualora la velocità dell'utensile si riduca notevolmente durante il funzionamento con l'impostazione "2", far scorrere la leva sulla posizione "1" e ricominciare l'operazione.

Regolazione della coppia di serraggio

- **Fig.7:** 1. Ghiera di regolazione 2. Graduazione
3. Freccia

È possibile regolare la coppia di serraggio su 21 livelli ruotando la ghiera di regolazione. Allineare le graduazioni con la freccia sul corpo dell'utensile. È possibile ottenere la coppia di serraggio minima nell'impostazione 1 e la coppia di serraggio massima nella posizione indicata dal simbolo .

La frizione interviene a vari livelli di coppia quando quest'ultima viene impostata su un numero da 1 a 20. La frizione non è operativa alla posizione indicata dal simbolo .

Prima di cominciare il lavoro effettivo, avvitare una vite di prova nel materiale utilizzato o in un pezzo dello stesso materiale, in modo da determinare il livello di coppia necessario per un'applicazione specifica.

Lo schema seguente mostra la guida approssimativa del rapporto tra la dimensione delle viti e la graduazione.

Graduazione		1	2	3	4	5	6	7	8	9	10	11	12	13	14	15	16	17	18	19	20
Vite per metallo		M4				M5								M6							
Vite per legno	Legno morbido (ad es. pino)	-				φ3,5 x 22				φ4,1 x 38				-							
	Legno duro (ad es. lauan)	-				φ3,5 x 22								φ4,1 x 38				-			

MONTAGGIO

⚠ATTENZIONE: Accertarsi sempre che l'utensile sia spento e che la cartuccia della batteria sia stata rimossa, prima di effettuare qualsiasi intervento sull'utensile.

Installazione o rimozione della punta per avvitatore o della punta per trapano

Per il modello DF332D (accessorio opzionale)

- **Fig.8:** 1. Manicotto 2. Per chiudere 3. Per aprire

Ruotare il manicotto in senso antiorario per aprire le griffe del mandrino. Inserire la punta per avvitatore o la punta per trapano nel mandrino fino in fondo. Ruotare il manicotto in senso orario per serrare il mandrino. Per rimuovere la punta per avvitatore o la punta per trapano, ruotare il manicotto in senso antiorario.

Installazione o rimozione della punta per avvitatore o della punta a bussola

Per il modello DF032D (accessorio opzionale)

- **Fig.9**

Utilizzare solo una punta per avvitatore o una punta a bussola dotata della parte di inserimento indicata in figura. Non utilizzare punte per avvitatore o punte a bussola di tipo diverso.

Per un utensile con foro poco profondo per la punta per avvitatore

A=12 mm B=9 mm	Utilizzare solo questo tipo di punta per avvitatore. Attenersi alla procedura 1. (Nota) L'adattatore per punte non è necessario.
-------------------	---

Per un utensile con foro profondo per la punta per avvitatore

A=17 mm B=14 mm	Per installare questi tipi di punte per avvitatore, attenersi alla procedura 1.
A=12 mm B=9 mm	Per installare questi tipi di punte per avvitatore, attenersi alla procedura 2. (Nota) L'adattatore per punte è necessario per installare la punta.

1. Per installare la punta per avvitatore, tirare il manicotto nella direzione della freccia e inserire fino in fondo la punta per avvitatore nel manicotto. Quindi, sbloccare il manicotto per fissare la punta per avvitatore.

- **Fig.10:** 1. Punta per avvitatore 2. Manicotto

2. Per installare la punta per avvitatore, tirare il manicotto nella direzione della freccia e inserire fino in fondo nel manicotto l'adattatore per punte e la punta per avvitatore. L'adattatore per punte va inserito nel manicotto con l'estremità appuntita rivolta verso l'interno. Quindi, rilasciare il manicotto per fissare la punta per avvitatore.

- **Fig.11:** 1. Punta per avvitatore 2. Adattatore per punte 3. Manicotto

Per rimuovere la punta per avvitatore, tirare il manicotto nella direzione della freccia ed estrarre la punta per avvitatore.

NOTA: Qualora la punta per avvitatore non sia inserita fino in fondo nel manicotto, quest'ultimo non torna sulla sua posizione originale e la punta per avvitatore non viene fissata. In tal caso, provare a reinserire la punta attenendosi alle istruzioni indicate sopra.

NOTA: Dopo aver inserito la punta per avvitatore, accertarsi che sia fissata saldamente. Qualora fuoriesca, non utilizzarla.

Installazione del gancio

► **Fig.12:** 1. Scanalatura 2. Gancio 3. Vite

Il gancio è utile per appendere temporaneamente l'utensile. Può essere installato da entrambi i lati dell'utensile. Per installare il gancio, inserirlo in una scanalatura da uno dei lati del corpo dell'utensile, quindi fissarlo con una vite. Per rimuoverlo, allentare la vite ed estrarlo.

Installazione del portapunte per avvitatore

Accessorio opzionale

► **Fig.13:** 1. Portapunte per avvitatore 2. Punta per avvitatore

Montare il portapunte per avvitatore nella sporgenza sul piede dell'utensile, sul lato destro o sinistro, quindi fissarlo con una vite.

Quando non si intende utilizzare la punta per avvitatore, conservarla nel portapunte. È possibile conservare in questa sede punte per avvitatore di lunghezza pari a 45 mm.

FUNZIONAMENTO

⚠ATTENZIONE: Inserire sempre completamente la cartuccia della batteria, fino al suo arresto in sede. Qualora si veda l'indicatore rosso sul lato superiore del pulsante, la batteria non è bloccata completamente. Inserirlo completamente, fino a quando l'indicatore rosso non è più visibile. In caso contrario, la batteria potrebbe fuoriuscire e cadere accidentalmente dall'utensile, causando lesioni personali all'operatore o a chi gli è vicino.

⚠ATTENZIONE: Quando la velocità si riduce notevolmente, ridurre il carico o arrestare l'utensile per evitare di danneggiare l'utensile.

Tenere saldamente l'utensile con una mano sull'impugnatura e con l'altra mano sulla parte inferiore della cartuccia della batteria, in modo da poter controllare il movimento di torsione.

► **Fig.14**

Operazione di avvittatura


⚠ATTENZIONE: Regolare la ghiera di regolazione sul livello di coppia appropriato al lavoro in questione.

⚠ATTENZIONE: Accertarsi che la punta per avvitatore sia inserita dritta nella testa della vite, in caso contrario la vite e/o la punta per avvitatore potrebbero danneggiarsi.

Posizionare l'estremità della punta per avvitatore sulla testa della vite e applicare pressione all'utensile. Avviare l'utensile lentamente e aumentare gradualmente la velocità. Rilasciare l'interruttore a grilletto non appena la frizione entra in funzione.

NOTA: Quando si intende avvitare una vite per legno, eseguire una preforatura di un foro guida di 2/3 del diametro della vite. Questa procedura agevola l'avvittatura ed evita la spaccatura del pezzo.

Operazione di foratura

Innanzitutto, ruotare la ghiera di regolazione in modo che la freccia punti sul simbolo . Quindi, procedere nel modo seguente.

Foratura del legno

Per la foratura del legno si ottengono i risultati migliori con i trapani per legno dotati di una vite guida. La vite guida rende più facile la foratura tirando la punta per trapano nel pezzo.

Foratura del metallo

Per evitare lo scivolamento della punta all'inizio della foratura, utilizzare un punzone per centri e un martello per creare un'intaccatura nel punto da forare. Posizionare l'estremità della punta per trapano nell'intaccatura e iniziare la foratura.

Quando si intende forare metalli, utilizzare un lubrificante per taglio. Le eccezioni sono il ferro e l'ottone, che vanno forati a secco.

⚠ATTENZIONE: Se si esercita una pressione eccessiva sull'utensile, non si accelera la foratura. In realtà, tale pressione eccessiva produce solo l'effetto di danneggiare l'estremità della punta per trapano e di ridurre le prestazioni e la vita utile dell'utensile.

⚠ATTENZIONE: Tenere saldamente l'utensile e fare attenzione quando la punta per trapano inizia a fuoriuscire dal pezzo. Sull'utensile/punta per trapano viene esercitata una forza estrema al momento della fuoriuscita dal foro.

⚠ATTENZIONE: Una punta per trapano incastrata può venire rimossa semplicemente impostando il commutatore di inversione della rotazione sulla rotazione invertita, in modo da far tornare indietro l'utensile. Tuttavia, l'utensile potrebbe tornare indietro bruscamente, qualora non venga impugnato saldamente.

⚠ATTENZIONE: Fissare sempre i pezzi in lavorazione in una morsa o un dispositivo simile per tenerli fermi.


⚠ATTENZIONE: Qualora si faccia funzionare continuamente l'utensile fino allo scaricamento della cartuccia della batteria, lasciarlo riposare per 15 minuti prima di continuare a lavorare con una batteria nuova.

Uso dell'utensile come cacciavite manuale

► Fig.15

Spegnere l'utensile.

Spostare la leva del commutatore di inversione della rotazione sulla posizione centrale.

Ruotare la ghiera di regolazione in modo che la freccia punti verso il simbolo .

Girare l'utensile.

NOTA: Questa modalità d'uso è utile per la verifica dell'avvitatura.

NOTA: Non utilizzare l'utensile per lavori che richiedono una forza eccessiva, ad esempio per serrare bulloni o per la rimozione di viti arrugginite.

Uso della fondina

Accessorio opzionale

⚠ATTENZIONE: Quando si intende utilizzare la fondina, rimuovere la punta per avvitatore o la punta per trapano dall'utensile.

⚠ATTENZIONE: Spegnere l'utensile e attendere che si sia arrestato completamente prima di inserirlo nella fondina.

Accertarsi di chiudere saldamente la fondina con il relativo bottone, affinché mantenga l'utensile saldamente.

1. Far passare una cintura o un oggetto analogo nel supporto della fondina.

► Fig.16: 1. Supporto della fondina 2. Cintura

2. Inserire l'utensile nella fondina e bloccarlo con il bottone della fondina.

► Fig.17

► Fig.18

È possibile tenere due punte per avvitatore nella parte anteriore della fondina.

MANUTENZIONE

⚠ATTENZIONE: Accertarsi sempre che l'utensile sia spento e che la cartuccia della batteria sia stata rimossa prima di tentare di eseguire interventi di ispezione o manutenzione.

AVVISO: Non utilizzare mai benzina, benzene, solventi, alcol o altre sostanze simili. In caso contrario, si potrebbero causare scolorimenti, deformazioni o crepe.

Per preservare la SICUREZZA e l'AFFIDABILITÀ del prodotto, le riparazioni e qualsiasi altro intervento di manutenzione e di regolazione devono essere eseguiti da un centro di assistenza autorizzato Makita, utilizzando sempre ricambi Makita.

ACCESSORI OPZIONALI

⚠ATTENZIONE: Questi accessori o componenti aggiuntivi sono consigliati per l'uso con l'utensile Makita specificato nel presente manuale. L'impiego di altri accessori o componenti aggiuntivi può costituire un rischio di lesioni alle persone. Utilizzare gli accessori o i componenti aggiuntivi solo per il loro scopo prefissato.

Per ottenere ulteriori dettagli relativamente a questi accessori, rivolgersi a un centro di assistenza Makita.

- Punta per trapano
- Punta per avvitatore
- Punta a bussola
- Adattatore per punta
- Portapunte per avvitatore
- Fondina
- Valigetta di plastica
- Gancio
- Batteria e caricabatterie originali Makita

NOTA: Alcuni articoli nell'elenco potrebbero essere inclusi nell'imballaggio dell'utensile come accessori standard. Tali articoli potrebbero variare da nazione a nazione.

TECHNISCHE GEGEVENS

Model:		DF332D	DF032D		
Boorcapaciteiten	Staal	10 mm			
	Hout	28 mm			
Bevestigingscapaciteiten	Houtschroef	5,1 mm x 63 mm			
	Kolomschroef	M6			
Nullasttoerental	Hoog (2)	0 - 1.500 min ⁻¹			
	Laag (1)	0 - 450 min ⁻¹			
Totale lengte		154 mm	124 mm		
Nominale spanning		Maximaal 10,8 V - 12 V gelijkspanning			
Accu		BL 1015, BL 1016, BL 1020B, BL 1021B	BL 1040B, BL 1041B	BL 1015, BL 1016, BL 1020B, BL 1021B	BL 1040B, BL 1041B
Nettogewicht		1,0 kg	1,2 kg	0,88 kg	1,0 kg

- In verband met ononderbroken research en ontwikkeling, behouden wij ons het recht voor de bovenstaande technische gegevens zonder voorafgaande kennisgeving te wijzigen.
- De technische gegevens van de accu kunnen van land tot land verschillen.
- Gewicht, inclusief accu, volgens de EPTA-procedure 01/2003

Gebruiksdoeleinden

Dit gereedschap is bestemd voor het boren en schroeven in hout, metaal en plastic.

Geluidsniveau

De typische, A-gewogen geluidsniveaus zijn gemeten volgens EN60745:

Model DF332D

Geluidsdrukniveau (L_{pA}): 72 dB (A)

Onzekerheid (K): 3 dB (A)

Het geluidsniveau kan tijdens gebruik hoger worden dan 80 dB (A).

Model DF032D

Geluidsdrukniveau (L_{pA}): 71 dB (A)

Onzekerheid (K): 3 dB (A)

Het geluidsniveau kan tijdens gebruik hoger worden dan 80 dB (A).

WAARSCHUWING: Draag gehoorbescherming.

Trilling

De totale trillingswaarde (triaxiale vectorsom) zoals vastgesteld volgens EN60745:

Model DF332D

Gebruikstoepassing: boren in metaal

Trillingsemismissie ($a_{h,D}$): 2,5 m/s² of lager

Onzekerheid (K): 1,5 m/s²

Model DF032D

Gebruikstoepassing: boren in metaal

Trillingsemismissie ($a_{h,D}$): 2,5 m/s² of lager

Onzekerheid (K): 1,5 m/s²

OPMERKING: De opgegeven trillingsemismissiewaarde is gemeten volgens de standaardtestmethode en kan worden gebruikt om dit gereedschap te vergelijken met andere gereedschappen.

OPMERKING: De opgegeven trillingsemismissiewaarde kan ook worden gebruikt voor een beoordeling vooraf van de blootstelling.

WAARSCHUWING: De trillingsemismissie tijdens het gebruik van het elektrisch gereedschap in de praktijk kan verschillen van de opgegeven trillingsemismissiewaarde afhankelijk van de manier waarop het gereedschap wordt gebruikt.

WAARSCHUWING: Zorg ervoor dat veiligheidsmaatregelen worden getroffen ter bescherming van de operator die zijn gebaseerd op een schatting van de blootstelling onder praktijkomstandigheden (rekening houdend met alle fasen van de bedrijfscyclus, zoals de tijdsduur gedurende welke het gereedschap is uitgeschakeld en stationair draait, naast de ingeschakelde tijdsduur).

EU-verklaring van conformiteit

Aleen voor Europese landen

Makita verklaart hierbij dat de volgende machine(s):

Aanduiding van de machine: Accuschroefboormachine

Modelnr./Type: DF332D, DF032D

Voldoet aan de volgende Europese richtlijnen:

2006/42/EU

Ze zijn gefabriceerd in overeenstemming met de volgende norm of genormaliseerde documenten: EN60745

Het technisch documentatiebestand volgens 2006/42/

EU is verkrijgbaar bij:

Makita, Jan-Baptist Vinkstraat 2, 3070, België



Yasushi Fukaya
Directeur
Makita, Jan-Baptist Vinkstraat 2, 3070, België

Algemene veiligheidswaarschuwingen voor elektrisch gereedschap

⚠️ WAARSCHUWING: Lees alle veiligheids-waarschuwingen en alle instructies. Het niet volgen van de waarschuwingen en instructies kan leiden tot elektrische schokken, brand en/of ernstig letsel.

Bewaar alle waarschuwingen en instructies om in de toekomst te kunnen raadplegen.

De term "elektrisch gereedschap" in de veiligheidsvoorschriften duidt op gereedschappen die op stroom van het lichtnet werken (met snoer) of gereedschappen met een accu (snoerloos).

Veiligheidswaarschuwingen voor een accuschroefboormachine

1. **Gebruik hulphandgreep (hulphandgrepen), indien bij het gereedschap geleverd.** Verliezen van de macht over het gereedschap kan letsel veroorzaken.
2. **Houd elektrisch gereedschap alleen vast aan de geïsoleerde handgrepen wanneer de kans bestaat dat het werktuig in aanraking komt met verborgen bedrading.** Wanneer boor-/snijhulpmiddelen in aanraking komen met onder spanning staande draden, zullen de niet-geïsoleerde metalen delen van het gereedschap onder spanning komen te staan zodat de gebruiker een elektrische schok kan krijgen.
3. **Houd elektrisch gereedschap alleen vast aan de geïsoleerde handgrepen, wanneer u werkt op plaatsen waar het bevestigingsmateriaal met verborgen bedrading in aanraking kan komen.** Wanneer bevestigingsmaterialen in aanraking komen met onder spanning staande draden, zullen de niet-geïsoleerde metalen delen van het gereedschap onder spanning komen te staan zodat de gebruiker een elektrische schok kan krijgen.
4. **Zorg ook altijd dat u stevig op een solide bodem staat. Let bij het werken op hoge plaatsen op dat er zich niemand recht onder u bevindt.**
5. **Houd het gereedschap stevig vast.**
6. **Houd uw handen uit de buurt van draaiende onderdelen.**
7. **Laat het gereedschap niet draaiend achter. Schakel het gereedschap alleen in wanneer u het stevig vasthoudt.**

8. **Raak direct na uw werk het boorbit of het werkstuk niet aan. Zij kunnen bijzonder heet zijn en brandwonden op uw huid veroorzaken.**
9. **Bepaalde materialen kunnen giftige chemicaliën bevatten. Vermijd contact met uw huid en zorg dat u geen stof inademt. Volg de veiligheidsvoorschriften van de fabrikant van het materiaal.**
10. **Als het boorbit niet kan worden losgemaakt ondanks dat de klauwen geopend zijn, gebruikt u een tang om het eruit te trekken. In dat geval kan met de hand eruit trekken leiden tot letsel vanwege zijn scherpe rand.**

BEWAAR DEZE VOORSCHRIFTEN.

⚠️ WAARSCHUWING: Laat u NIET misleiden door een vals gevoel van comfort en bekendheid met het gereedschap (na veelvuldig gebruik) en neem alle veiligheidsvoorschriften van het betreffende gereedschap altijd strikt in acht. **VERKEERD GEBRUIK** of het niet naleven van de veiligheidsvoorschriften in deze gebruiksaanwijzing kan leiden tot ernstig letsel.

Belangrijke veiligheidsinstructies voor een accu

1. **Lees alle voorschriften en waarschuwingen op (1) de acculader, (2) de accu, en (3) het product waarvoor de accu wordt gebruikt, alvorens de accu in gebruik te nemen.**
2. **Neem de accu niet uit elkaar.**
3. **Als de gebruikstijd van een opgeladen accu aanzienlijk korter is geworden, moet u het gebruik ervan onmiddellijk stopzetten. Voortgezet gebruik kan oververhitting, brandwonden en zelfs een ontploffing veroorzaken.**
4. **Als elektrolyt in uw ogen is terechtgekomen, spoelt u uw ogen met schoon water en roept u onmiddellijk de hulp van een dokter in. Elektrolyt in de ogen kan blindheid veroorzaken.**
5. **V voorkom kortsluiting van de accu:**
 - (1) **Raak de accuklemmen nooit aan met een geleidend materiaal.**
 - (2) **Bewaar de accu niet in een bak waarin andere metalen voorwerpen zoals spijkers, munten e.d. worden bewaard.**
 - (3) **Stel de accu niet bloot aan water of regen. Kortsluiting van de accu kan oorzaak zijn van een grote stroomafgifte, oververhitting, brandwonden, en zelfs defecten.**
6. **Bewaar het gereedschap en de accu niet op plaatsen waar de temperatuur kan oplopen tot 50°C of hoger.**
7. **Werp de accu nooit in het vuur, ook niet wanneer hij zwaar beschadigd of volledig versleten is. De accu kan ontploffen in het vuur.**
8. **Wees voorzichtig dat u de accu niet laat vallen en hem niet blootstelt aan schokken of stoten.**
9. **Gebruik nooit een beschadigde accu.**

10. **De bijgeleverde lithium-ionbatterijen zijn onderhevig aan de vereisten in de wetgeving omtrent gevaarlijke stoffen.**
 Voor commercieel transport en dergelijke door derden en transporteurs moeten speciale vereisten ten aanzien van verpakking en etikettering worden nageleefd.
 Als voorbereiding van het artikel dat wordt getransporteerd is het noodzakelijk een expert op het gebied van gevaarlijke stoffen te raadplegen. Houd u tevens aan mogelijk strengere nationale regelgeving.
 Blootliggende contactpunten moeten worden afgedekt met tape en de accu moet zodanig worden verpakt dat deze niet kan bewegen in de verpakking.
11. **Volg bij het weggooiën van de accu de plaatselijke voorschriften.**
12. **Gebruik de accu's uitsluitend met de gereedschappen die door Makita zijn aanbevolen.** Als de accu's worden aangebracht in niet-compatibele gereedschappen, kan dat leiden tot brand, buitensporige warmteontwikkeling, een explosie of lekkage van elektrolyt.

BEWAAR DEZE INSTRUCTIES.

⚠ LET OP: Gebruik uitsluitend originele Makita accu's. Het gebruik van niet-originele accu's, of accu's die zijn gewijzigd, kan ertoe leiden dat de accu ontploft en brand, persoonlijk letsel en schade veroorzaakt. Ook vervalt daarmee de garantie van Makita op het gereedschap en de lader van Makita.

Tips voor een maximale levensduur van de accu

1. **Laad de accu op voordat hij volledig ontladen is. Stop het gebruik van het gereedschap en laad de accu op telkens wanneer u vaststelt dat het vermogen van het gereedschap is afgenomen.**
2. **Laad een volledig opgeladen accu nooit opnieuw op. Te lang opladen verkort de levensduur van de accu.**
3. **Laad de accu op bij een omgevingstemperatuur tussen 10°C en 40°C. Laat een warme accu afkoelen alvorens hem op te laden.**

BESCHRIJVING VAN DE FUNCTIES

⚠ LET OP: Zorg altijd dat het gereedschap is uitgeschakeld en de accu ervan is verwijderd alvorens de functies op het gereedschap af te stellen of te controleren.

De accu aanbrengen en verwijderen

⚠ LET OP: Schakel het gereedschap altijd uit voordat u de accu aanbrengt of verwijdert.

⚠ LET OP: Houd het gereedschap en de accu stevig vast tijdens het aanbrengen of verwijderen van de accu. Als u het gereedschap en de accu niet stevig vasthoudt, kunnen deze uit uw handen glijpen en het gereedschap of de accu beschadigen, of kan persoonlijk letsel worden veroorzaakt.

► Fig. 1: 1. Rood deel 2. Knop 3. Accu

Om de accu te verwijderen verschuift u de knop aan de voorkant van de accu en schuift u tegelijkertijd de accu uit het gereedschap.

Om de accu aan te brengen lijnt u de lip op de accu uit met de groef in de behuizing en duwt u de accu op zijn plaats. Steek de accu zo ver mogelijk in het gereedschap tot u een klikgeluid hoort. Als u het rode deel aan de bovenkant van de knop kunt zien, is de accu niet goed aangebracht.

⚠ LET OP: Breng de accu altijd helemaal aan totdat het rode deel niet meer zichtbaar is. Als u dit niet doet, kan de accu per ongeluk uit het gereedschap vallen en u of anderen in uw omgeving verwonden.

⚠ LET OP: Breng de accu niet met kracht aan. Als de accu niet gemakkelijk in het gereedschap kan worden geschoven, wordt deze niet goed aangebracht.

Accubeveiligingssysteem

Het gereedschap is uitgerust met een accubeveiligingssysteem. Dit systeem sluit automatisch de voeding naar de motor af om de levensduur van de accu te verlengen. Het gereedschap kan tijdens gebruik automatisch stoppen wanneer het gereedschap en/of de accu aan één van de volgende omstandigheden wordt blootgesteld:

Overbelasting:

Als het gereedschap wordt gebruikt op een manier die een abnormaal hoge stroomsterkte vergt. Schakel in dat geval het gereedschap uit en stopt u met de toepassing waardoor het gereedschap overbelast raakte. Schakel vervolgens het gereedschap in om het weer te starten. Als het gereedschap niet start, kan de accu oververhit zijn. In die situatie laat u de accu eerst afkoelen voordat u het gereedschap opnieuw inschakelt.

Onvoldoende accuspanning:

De resterende accucapaciteit is te laag en het gereedschap start niet. Als u het gereedschap inschakelt, draait de motor wel maar stopt kort daarna. In dat geval verwijdert u de accu en laadt u die opnieuw op.

De resterende acculading controleren

Alleen voor accu's met indicatorlampjes

► Fig.2: 1. Indicatorlampjes 2. Testknop

Druk op de testknop op de accu om de resterende acculading te zien. De indicatorlampjes branden gedurende enkele seconden.

Indicatorlampjes		Resterende capaciteit
Brandt	Uit	
■ ■ ■ ■		75% tot 100%
■ ■ ■ □		50% tot 75%
■ ■ □ □		25% tot 50%
■ □ □ □		0% tot 25%

OPMERKING: Afhankelijk van de gebruiksomstandigheden en de omgevingstemperatuur, is het mogelijk dat de aangegeven acculading verschilt van de werkelijke acculading.

De trekkerschakelaar gebruiken

► Fig.3: 1. Trekkerschakelaar

⚠ALLET OP: Alvorens de accu in het gereedschap te plaatsen, moet u altijd controleren of de trekkerschakelaar goed werkt en bij het loslaten terugkeert naar de stand "OFF".

Om het gereedschap te starten, knijpt u gewoon de trekkerschakelaar in. Hoe harder u de trekkerschakelaar inknijpt, hoe sneller het gereedschap draait. Laat de trekkerschakelaar los om het gereedschap te stoppen.

OPMERKING: Het gereedschap stopt automatisch wanneer u de trekkerschakelaar gedurende ongeveer 6 minuten ingeknepen houdt.

De lamp op de voorkant gebruiken

► Fig.4: 1. Lamp

⚠ALLET OP: Kijk niet direct in het lamplicht of in de lichtbron.

Knijp de trekkerschakelaar in om de lamp in te schakelen. De lamp blijft branden zo lang de trekkerschakelaar wordt ingeknepen. Ongeveer 10 seconden nadat u de trekkerschakelaar hebt losgelaten, gaat de lamp uit.

OPMERKING: Gebruik een droge doek om vuil van de lens van de lamp af te vegen. Wees voorzichtig dat u de lens van de lamp niet bekrast omdat dan de verlichting minder wordt.

OPMERKING: Wanneer het gereedschap oververhit is, knippert het licht gedurende een minuut waarna het LED-display uit gaat. In dat geval laat u het gereedschap afkoelen alvorens het weer in gebruik te nemen.

De omkeerschakelaar bedienen

► Fig.5: 1. Omkeerschakelaar

⚠ALLET OP: Controleer altijd de draairichting alvorens het gereedschap te starten.

⚠ALLET OP: Verander de stand van de omkeerschakelaar alleen nadat het gereedschap volledig tot stilstand is gekomen. Als u de draairichting verandert terwijl het gereedschap nog draait, kan het gereedschap beschadigd raken.

⚠ALLET OP: Zet de omkeerschakelaar altijd in de neutrale stand wanneer u het gereedschap niet gebruikt.

Dit gereedschap heeft een omkeerschakelaar voor het veranderen van de draairichting. Druk de omkeerschakelaar in vanaf kant A voor de draairichting rechtsom, of vanaf kant B voor de draairichting linksom.

Wanneer de omkeerschakelaar in de neutrale stand staat, kan de trekkerschakelaar niet worden ingeknepen.

Snelheidskeuze

► Fig.6: 1. Snelheidskeuzeknop

⚠ALLET OP: Zet de snelheidskeuzeknop altijd volledig in de juiste stand. Als u het gereedschap gebruikt met de snelheidskeuzeknop halverwege tussen de standen "1" en "2", kan het gereedschap beschadigd worden.

⚠ALLET OP: Verander de instelling van de snelheidskeuzeknop niet terwijl het gereedschap draait. Dat kan het gereedschap beschadigen.

Stand van de snelheidskeuzeknop	Snelheid	Koppel	Toepassing
1	Laag	Hoog	Zware belasting
2	Hoog	Laag	Lichte belasting

Als u de snelheid wilt veranderen, schakelt u eerst het gereedschap uit. Selecteer stand "2" voor een hoge snelheid of stand "1" voor een lage snelheid met een hoog koppel. Let op dat de snelheidskeuzeknop geheel in de juiste stand is gezet voordat u gaat werken. Als de snelheid van het gereedschap tijdens gebruik in stand "2" sterk afneemt, zet u de knop in stand "1" en begint u het gebruik opnieuw.

Het aandraaikoppel instellen

► Fig.7: 1. Instelring 2. Koppelaanduiding 3. Pijltekens

Door de instelring te draaien, kan het aandraaikoppel worden ingesteld op 21 niveaus. Lijn de koppelaanduiding uit met het pijltekens op het gereedschapshuis. Voor het minimaandaarikoppel kiest u 1 en voor het maximaandaarikoppel kiest u 21.

De koppeling slijpt door op de betreffende koppelniveaus bij de instellingen 1 tot en met 20. De koppeling werkt niet op de instelling 21.

Alvorens met het eigenlijke werk te beginnen, draait u eerst een testschroef in uw werkstuk of een stuk identiek materiaal, om te bepalen welk aandraaikoppel het meest geschikt is voor een bepaalde toepassing.

Hieronder volgt een grove richtlijn voor de relatie tussen de schroefmaat en de koppelaanduiding.

Koppelaanduiding		1	2	3	4	5	6	7	8	9	10	11	12	13	14	15	16	17	18	19	20	
Kolomenschroef		M4				M5						M6										
Houtschroef	Zachthout (bijv. naaldhout)	-				φ3,5 x 22				φ4,1 x 38				-								
	Hardhout (bijv. meranti)	-				φ3,5 x 22						φ4,1 x 38				-						

MONTAGE

⚠ LET OP: Zorg altijd dat het gereedschap is uitgeschakeld en de accu ervan is verwijderd alvorens enig werk aan het gereedschap uit te voeren.

Het schroefbit/boorbit aanbrengen of verwijderen

Voor model DF332D (optioneel accessoire)

► Fig.8: 1. Bus 2. Dicht 3. Open

Draai de klembus linksom los om de klauwen te openen. Plaats het schroefbit/boorbit zo ver mogelijk in de spankop. Draai de klembus rechtsom om het bit in de spankop vast te zetten. Om het schroefbit/boorbit te verwijderen, draait u de klembus linksom.

Aanbrengen of verwijderen van het schroefbit of de schroefdop

Voor model DF032D (optioneel accessoire)

► Fig.9

Gebruik uitsluitend een schroefbit/schroefdop met een insteekgedeelte zoals aangegeven in de afbeelding. Gebruik geen ander schroefbit/schroefdop.

Voor gereedschappen met een ondiepe schroefbit-insteekopening

A=12 mm B=9 mm	Gebruik uitsluitend dit type schroefbit. Volg procedure 1. (Opmerking) De bitadapter is niet nodig.
-------------------	---

Voor gereedschappen met een diepe schroefbit-insteekopening

A=17 mm B=14 mm	Om dit type schroefbit te plaatsen, volgt u procedure 1.
A=12 mm B=9 mm	Om dit type schroefbit te plaatsen, volgt u procedure 2. (Opmerking) De bitadapter is nodig om het bit te plaatsen.

- Om het schroefbit te plaatsen, trekt u de bus in de richting van de pijl en steekt u het schroefbit zo ver mogelijk in de bus.
Laat daarna de bus los om het schroefbit te vergrendelen.

► Fig.10: 1. Schroefbit 2. Bus

- Om het schroefbit te plaatsen, trekt u de bus in de richting van de pijl en steekt u de bitadapter en het schroefbit zo ver mogelijk in de bus. De bitadapter moet met het puntige uiteinde eerst in de bus worden gestoken. Laat daarna de bus los om het schroefbit te vergrendelen.

► Fig.11: 1. Schroefbit 2. Bitadapter 3. Bus

Om het schroefbit te verwijderen, trekt u de bus in de richting van de pijl en trekt u het schroefbit er uit.

OPMERKING: Als het schroefbit niet diep genoeg in de bus wordt gestoken, zal de bus niet naar haar oorspronkelijke positie terugkeren en zal het schroefbit niet goed vastzitten. In dat geval dient u het bit opnieuw erin te steken volgens de bovenstaande procedure.

OPMERKING: Nadat u het schroefbit in de bus hebt gestoken, controleert u dat het schroefbit stevig vast zit. Als het uit de bus komt, mag u het niet gebruiken.

De haak aanbrengen

► **Fig.12:** 1. Gleuf 2. Haak 3. Schroef

De haak is handig om het gereedschap tijdelijk op te hangen. De haak kan aan iedere zijkant van het gereedschap worden bevestigd. Om de haak te bevestigen, steekt u deze in een gleuf op een zijkant en zet u hem vast met de schroef. Om de haak eraf te halen, draait u de schroef los en haalt u de haak eraf.

De schroefbithouder aanbrengen

Optioneel accessoire

► **Fig.13:** 1. Schroefbithouder 2. Schroefbit

Pas de schroefbithouder op de uitstekende nok aan de voet van het gereedschapshuis, links of rechts naar keuze, en zet de bithouder vast met een schroef.

Wanneer u het schroefbit niet gebruikt, kunt u het in de schroefbithouders opbergen. Schroefbits van 45 mm lengte kunnen hier worden bewaard.

BEDIENING

⚠ LET OP: Druk de accu altijd stevig aan totdat die op zijn plaats vastklikt. Wanneer het rode deel aan de bovenkant van de knop nog zichtbaar is, zit de accu er nog niet helemaal in. Schuif hem er helemaal in totdat het rode deel niet meer zichtbaar is. Als u dit nalaat, zou de accu uit het gereedschap kunnen vallen en uzelf of anderen kunnen verwonden.

⚠ LET OP: Wanneer de snelheid sterk afneemt, verlaagt u de belasting of stopt u het gereedschap om te voorkomen dat het gereedschap wordt beschadigd.

Houd het gereedschap stevig vast met één hand aan de handgreep en de andere aan de onderkant van de accu om wringkrachten goed te kunnen beheersen.

► **Fig.14**

Gebruik als schroevendraaier


⚠ LET OP: Stel de koppelinstelling in op het juiste koppel voor uw werkstuk.

⚠ LET OP: Zorg dat het schroefbit recht in de schroefkop steekt, anders kunnen de schroef en/of het schroefbit beschadigd worden.

Plaats de punt van het schroefbit in de schroefkop en oefen wat druk uit op het gereedschap. Start het gereedschap langzaam en verhoog dan geleidelijk de snelheid. Zodra de koppeling aangrijpt, laat u de trekverschakelaar onmiddellijk los.

OPMERKING: Voor het vastdraaien van houtschroeven dient u een boorgat van 2/3 de diameter van de schroef voor te boren. Dit vergemakkelijkt het vastdraaien en voorkomt dat het werkstuk kan splijten.

Gebruik als boormachine

Draai eerst de instelling zo dat het pijlteken naar de markering  wijst. Ga daarna als volgt te werk.

Boren in hout

Bij het boren in hout verkrijgt u de beste resultaten met houtboortjes voorzien van een geleideschroefpunt. Deze geleideschroefpunt vergemakkelijkt het boren, door het boorbit het werkstuk in te trekken.

Boren in metaal

Om te voorkomen dat het boorbit bij het begin van het boren zijdelings wegglijdt, maakt u met een hamer en een centerpons een putje precies op de plaats waar u wilt boren. Plaats dan de punt van het boorbit in het putje en begin met boren.

Gebruik bij het boren in metaal een smeermiddel. Uitzonderingen hierbij zijn ijzer en koper, die droog geboord moeten worden.

⚠ LET OP: Het boren zal niet sneller verlopen als u hard op het gereedschap drukt. In feite zal dergelijk hard drukken alleen maar leiden tot beschadiging van het boorbit, lagere prestaties van het gereedschap en een kortere levensduur van het gereedschap.

⚠ LET OP: Houd het gereedschap stevig vast en let vooral goed op wanneer het boorbit door het werkstuk heen breekt. Op het moment dat het boorgat doorbreekt wordt een enorme wringende kracht uitgeoefend op het gereedschap/boorbit.

⚠ LET OP: Een vastgelopen boorbit kan eenvoudig verwijderd worden door de draairichting te veranderen met de omkeerschakelaar, om zo het boorbit eruit te draaien. Houd het gereedschap daarbij wel stevig vast, want er is kans op een plotselinge terugslag.

⚠ LET OP: Zet het werkstuk altijd vast in een bankschroef of soortgelijke klemvoorziening.


⚠ LET OP: Als het gereedschap continu wordt bediend totdat de accu leeg is, laat u het gereedschap gedurende 15 minuten liggen alvorens verder te werken met een volle accu.

Het gereedschap gebruiken als een handschroevendraaier

► **Fig.15**

Schakel het gereedschap uit.

Zet de omkeerschakelaar in de neutrale stand.

Draai de koppelinstelling zodat het pijlteken naar de markering  wijst.

Draai het hele gereedschap rond.

OPMERKING: Dit gebruik is handig om het schroevendraaien te controleren.

OPMERKING: Gebruik het gereedschap niet voor werkzaamheden die buitensporige kracht vereisen, zoals het aandraaien van bouten of het uitdraaien van roestige schroeven.

De holster gebruiken

Optioneel accessoire

⚠ LET OP: Voordat u het gereedschap in de holster plaatst, verwijdert u het schroefbit/boorbit.

⚠ LET OP: Schakel het gereedschap uit en wacht tot het volledig tot stilstand is gekomen voordat u het in de holster plaatst. Zorg ervoor dat u de holster stevig sluit met de holstersluiting zodat het gereedschap stevig wordt vastgehouden.

1. Rijg een broekriem of iets dergelijks door de holsterhouder.

► Fig.16: 1. Holsterhouder 2. Broekriem

2. Plaats het gereedschap in de holster en sluit deze met de holstersluiting.

► Fig.17

► Fig.18

U kunt twee schroefbits bewaren op de voorkant van de holster.

- Schroefbithouder
- Holster
- Kunststof koffer
- Haak
- Originele Makita accu's en acculaders

OPMERKING: Sommige items op de lijst kunnen zijn inbegrepen in de doos van het gereedschap als standaard toebehoren. Deze kunnen van land tot land verschillen.

ONDERHOUD

⚠ LET OP: Zorg altijd dat het gereedschap is uitgeschakeld en de accu ervan is verwijderd alvorens te beginnen met onderhoud of inspectie.

KENNISGEVING: Gebruik nooit benzine, wasbenzine, thinner, alcohol en dergelijke. Hierdoor kunnen verkleuring, vervormingen en barsten worden veroorzaakt.

Om de VEILIGHEID en BETROUWBAARHEID van het gereedschap te handhaven, dienen alle reparaties, onderhoud of afstellingen te worden uitgevoerd bij een erkend Makita-servicecentrum of de Makita-fabriek, en altijd met gebruik van Makita-vervangingsonderdelen.

OPTIONELE ACCESSOIRES

⚠ LET OP: Deze accessoires of hulpstukken worden aanbevolen voor gebruik met het Makita gereedschap dat in deze gebruiksaanwijzing is beschreven. Bij gebruik van andere accessoires of hulpstukken bestaat het gevaar van persoonlijke letsel. Gebruik de accessoires of hulpstukken uitsluitend voor hun bestemde doel.

Wenst u meer bijzonderheden over deze accessoires, neem dan contact op met het plaatselijke Makita-servicecentrum.

- Boorbits
- Schroefbits
- Schroefdoppen
- Bitadapter

ESPECIFICACIONES

Modelo:		DF332D	DF032D		
Capacidades de perforación	Acero	10 mm			
	Madera	28 mm			
Capacidades de apriete	Tornillo para madera	5,1 mm x 63 mm			
	Tornillo para metales	M6			
Velocidad sin carga	Alta (2)	0 - 1.500 min ⁻¹			
	Baja (1)	0 - 450 min ⁻¹			
Longitud total		154 mm	124 mm		
Tensión nominal		CC 10,8 V - 12 V máx			
Cartucho de batería		BL1015, BL1016, BL1020B, BL1021B	BL1040B, BL1041B	BL1015, BL1016, BL1020B, BL1021B	BL1040B, BL1041B
Peso neto		1,0 kg	1,2 kg	0,88 kg	1,0 kg

- Debido a nuestro continuado programa de investigación y desarrollo, las especificaciones aquí dadas están sujetas a cambios sin previo aviso.
- Las especificaciones y el cartucho de batería pueden diferir de país a país.
- Peso, con cartucho de batería, de acuerdo con el procedimiento EPTA 01/2003

Uso previsto

La herramienta ha sido prevista para perforar y atornillar en madera, metal y plástico.

Ruido

El nivel de ruido A-ponderado típico determinado de acuerdo con la norma EN60745:

Modelo DF332D

Nivel de presión sonora (L_{pA}) : 72 dB (A)

Error (K) : 3 dB (A)

El nivel de ruido en situación de trabajo puede exceder 80 dB (A).

Modelo DF032D

Nivel de presión sonora (L_{pA}) : 71 dB (A)

Error (K) : 3 dB (A)

El nivel de ruido en situación de trabajo puede exceder 80 dB (A).

⚠ ADVERTENCIA: Póngase protectores para oídos.

Vibración

El valor total de la vibración (suma de vectores triaxiales) determinado de acuerdo con la norma EN60745:

Modelo DF332D

Modo de trabajo: perforación en metal

Emisión de vibración ($a_{h,D}$) : 2,5 m/s² o menos

Error (K) : 1,5 m/s²

Modelo DF032D

Modo de trabajo: perforación en metal

Emisión de vibración ($a_{h,D}$) : 2,5 m/s² o menos

Error (K) : 1,5 m/s²

NOTA: El valor de emisión de vibración declarado ha sido medido de acuerdo con el método de prueba estándar y se puede utilizar para comparar una herramienta con otra.

NOTA: El valor de emisión de vibración declarado también se puede utilizar en una valoración preliminar de exposición.

⚠ ADVERTENCIA: La emisión de vibración durante la utilización real de la herramienta eléctrica puede variar del valor de emisión declarado dependiendo de las formas en las que la herramienta sea utilizada.

⚠ ADVERTENCIA: Asegúrese de identificar medidas de seguridad para proteger al operario que estén basadas en una estimación de la exposición en las condiciones reales de utilización (teniendo en cuenta todas las partes del ciclo operativo como las veces cuando la herramienta está apagada y cuando está funcionando en vacío además del tiempo de gatillo).

Declaración de conformidad CE

Para países europeos solamente

Makita declara que la(s) máquina(s) siguiente(s):

Designación de máquina: Atornillador Taladro

Inalámbrico

Modelo N°/ Tipo: DF332D, DF032D

Cumplen con las directivas europeas siguientes:

2006/42/CE

Están fabricadas de acuerdo con las normas o documentos normalizados siguientes: EN60745

El archivo técnico de acuerdo con la norma 2006/42/CE está disponible en:

Makita, Jan-Baptist Vinkstraat 2, 3070, Bélgica



Yasushi Fukaya
Director
Makita, Jan-Baptist Vinkstraat 2, 3070, Bélgica

Advertencias de seguridad para herramientas eléctricas en general

⚠️ ADVERTENCIA: Lea todas las advertencias de seguridad y todas las instrucciones. Si no sigue las advertencias e instrucciones podrá resultar en una descarga eléctrica, un incendio y/o heridas graves.

Guarde todas las advertencias e instrucciones para futuras referencias.

El término "herramienta eléctrica" en las advertencias se refiere a su herramienta eléctrica de funcionamiento con conexión a la red eléctrica (con cable) o herramienta eléctrica de funcionamiento a batería (sin cable).

Advertencias de seguridad para el atornillador taladro inalámbrico

1. **Utilice el mango(s) auxiliar, si se suministra con la herramienta.** Una pérdida del control puede ocasionar heridas personales.
2. **Cuando realice una operación en la que el accesorio de corte pueda entrar en contacto con cableado oculto, sujete la herramienta eléctrica por las superficies de asimiento aisladas.** El contacto del accesorio de corte con un cable con corriente hará que la corriente circule por las partes metálicas expuestas de la herramienta eléctrica y podrá soltar una descarga eléctrica al operario.
3. **Cuando realice una operación en la que el tornillo pueda entrar en contacto con cableado oculto, sujete la herramienta eléctrica por las superficies de asimiento aisladas.** El contacto del tornillo con un cable con corriente hará que la corriente circule por las partes metálicas expuestas de la herramienta eléctrica y podrá soltar una descarga eléctrica al operario.
4. **Asegúrese siempre de apoyar los pies firmemente.** Asegúrese de que no haya nadie debajo cuando utilice la herramienta en lugares altos.
5. **Sujete la herramienta firmemente.**
6. **Mantenga las manos alejadas de las partes giratorias.**
7. **No deje la herramienta en marcha.** Tenga en marcha la herramienta solamente cuando la tenga en la mano.
8. **No toque la broca ni la pieza de trabajo inmediatamente después de la operación;** podrán estar muy calientes y quemarle la piel.

9. **Algunos materiales contienen sustancias químicas que pueden ser tóxicas.** Tenga precaución para evitar la inhalación de polvo y el contacto con la piel. Siga los datos de seguridad del abastecedor del material.
10. **Si la broca no se puede aflojar incluso cuando abre las garras, utilice unos alicates para extraerla.** En tal caso, sacar la broca a mano puede resultar en heridas debido a su borde cortante.

GUARDE ESTAS INSTRUCCIONES.

⚠️ ADVERTENCIA: NO deje que la comodidad o familiaridad con el producto (a base de utilizarlo repetidamente) sustituya la estricta observancia de las normas de seguridad para el producto en cuestión. El MAL USO o el no seguir las normas de seguridad establecidas en este manual de instrucciones podrá ocasionar heridas personales graves.

Instrucciones de seguridad importantes para el cartucho de batería

1. **Antes de utilizar el cartucho de batería, lea todas las instrucciones e indicaciones de precaución sobre (1) el cargador de baterías, (2) la batería, y (3) el producto con el que se utiliza la batería.**
2. **No desarme el cartucho de batería.**
3. **Si el tiempo de uso se acorta demasiado, cese la operación inmediatamente.** Podría resultar en un riesgo de recalentamiento, posibles quemaduras e incluso una explosión.
4. **Si entra electrolito en sus ojos, aclárelos con agua limpia y acuda a un médico inmediatamente.** Existe el riesgo de poder perder la vista.
5. **No cortocircuite el cartucho de batería:**
 - (1) **No toque los terminales con ningún material conductor.**
 - (2) **Evite guardar el cartucho de batería en un cajón junto con otros objetos metálicos, como clavos, monedas, etc.**
 - (3) **No exponga el cartucho de batería al agua ni a la lluvia.**

Un cortocircuito en la batería puede producir una gran circulación de corriente, un recalentamiento, posibles quemaduras e incluso una rotura de la misma.
6. **No guarde la herramienta y el cartucho de batería en lugares donde la temperatura pueda alcanzar o exceder los 50 °C.**
7. **Nunca incinere el cartucho de batería incluso en el caso de que esté dañado seriamente o ya no sirva en absoluto.** El cartucho de batería puede explotar si se tira al fuego.
8. **Tenga cuidado de no dejar caer ni golpear el cartucho de batería.**
9. **No utilice una batería dañada.**

10. **Las baterías de litio-ion contenidas están sujetas a los requisitos de la Legislación para Materiales Peligrosos.**

Para transportes comerciales, p.ej., por terceras personas y agentes de transportes, se deberán observar requisitos especiales para el empaquetado y etiquetado.

Para la preparación del artículo que se va a enviar, se requiere consultar con un experto en materiales peligrosos. Por favor, observe también la posibilidad de reglamentos nacionales más detallados.

Cubra con cinta aislante o enmascare los contactos expuestos y empaquete la batería de tal manera que no se pueda mover alrededor dentro del embalaje.

11. **Siga los reglamentos locales referentes al desecho de la batería.**
12. **Utilice las baterías solamente con los productos especificados por Makita.** La instalación de las baterías en productos no compatibles puede resultar en un incendio, calor excesivo, explosión, o fuga de electrolito.

GUARDE ESTAS INSTRUCCIONES.

⚠PRECAUCIÓN: Utilice solamente baterías genuinas de Makita. La utilización de baterías no genuinas de Makita, o baterías que han sido alteradas, puede resultar en una explosión de la batería ocasionando incendios, heridas personales y daños. También anulará la garantía de Makita para la herramienta y el cargador de Makita.

Consejos para alargar al máximo la vida de servicio de la batería

1. **Cargue el cartucho de batería antes de que se descargue completamente. Detenga siempre la operación y cargue el cartucho de batería cuando note menos potencia en la herramienta.**
2. **No cargue nunca un cartucho de batería que esté completamente cargado. La sobrecarga acortará la vida de servicio de la batería.**
3. **Cargue el cartucho de batería a temperatura ambiente de 10 °C - 40 °C. Si un cartucho de batería está caliente, déjelo enfriar antes de cargarlo.**

DESCRIPCIÓN DEL FUNCIONAMIENTO

⚠PRECAUCIÓN: Asegúrese siempre de que la herramienta está apagada y el cartucho de batería retirado antes de realizar cualquier ajuste o comprobación en la herramienta.

Instalación o extracción del cartucho de batería

⚠PRECAUCIÓN: Apague siempre la herramienta antes de instalar o retirar el cartucho de batería.

⚠PRECAUCIÓN: Sujete la herramienta y el cartucho de batería firmemente cuando instale o retire el cartucho de batería. Si no sujeta la herramienta y el cartucho de batería firmemente podrán caérsele de las manos y resultar en daños a la herramienta y al cartucho de batería y heridas personales.

► Fig.1: 1. Indicador rojo 2. Botón 3. Cartucho de batería

Para retirar el cartucho de batería, deslícelo de la herramienta mientras desliza el botón de la parte frontal del cartucho.

Para instalar el cartucho de batería, alinee la lengüeta del cartucho de batería con la ranura de la carcasa y deslícelo hasta que encaje en su sitio. Insértelo a tope hasta que se bloquee en su sitio produciendo un pequeño chasquido. Si puede ver el indicador rojo en el lado superior del botón, no estará bloqueado completamente.

⚠PRECAUCIÓN: Instale siempre el cartucho de batería completamente hasta que no pueda verse el indicador rojo. En caso contrario, podrá caerse accidentalmente de la herramienta y ocasionarle heridas a usted o a alguien que esté cerca de usted.

⚠PRECAUCIÓN: No instale el cartucho de batería empleando fuerza. Si el cartucho no se desliza al interior fácilmente, será porque no está siendo insertado correctamente.

Sistema de protección de la batería

La herramienta está equipada con un sistema de protección de la batería. Este sistema corta automáticamente la alimentación del motor para alargar la vida útil de la batería.

La herramienta se detendrá automáticamente durante la operación si la herramienta y/o la batería son puestas en una de las condiciones siguientes:

Sobrecargada:

La herramienta es utilizada de una manera que da lugar a que tenga que absorber una corriente anormalmente alta. En esta situación, apague la herramienta y detenga la aplicación que ocasiona que la herramienta se sobrecargue. Después encienda la herramienta para volver a empezar. Si la herramienta no se pone en marcha, la batería estará recalentada. En esta situación, deje que la batería se enfríe antes de encender la herramienta otra vez.

Tensión baja en la batería:

La capacidad de batería restante es muy baja y la herramienta no funcionará. Si enciende la herramienta, el motor se pondrá en marcha otra vez pero se detendrá enseguida. En esta situación, retire la batería y vuelva a cargarla.

Modo de indicar la capacidad de batería restante

Solamente para cartuchos de batería con el indicador

► **Fig.2:** 1. Lámparas indicadoras 2. Botón de comprobación

Presione el botón de comprobación en el cartucho de batería para indicar la capacidad de batería restante. Las lámparas indicadoras se iluminan durante unos pocos segundos.

Lámparas de indicación		Capacidad restante
Iluminada	Apagada	
■ ■ ■ ■	□	75% a 100%
■ ■ ■ □	□	50% a 75%
■ ■ □ □	□ □	25% a 50%
■ □ □ □	□ □ □ □	0% a 25%

NOTA: Dependiendo de las condiciones de utilización y de la temperatura ambiente, la indicación podrá variar ligeramente de la capacidad real.

Accionamiento del interruptor

► **Fig.3:** 1. Gatillo interruptor

PRECAUCIÓN: Antes de insertar el cartucho de batería en la herramienta, compruebe siempre para cerciorarse de que el gatillo interruptor se acciona debidamente y que vuelve a la posición "OFF" cuando lo suelta.

Para poner en marcha la herramienta, simplemente apriete el gatillo interruptor. La velocidad de la herramienta aumenta incrementando la presión en el gatillo interruptor. Suelte el gatillo interruptor para parar.

NOTA: La herramienta se parará automáticamente si sigue apretando el gatillo interruptor durante unos 6 minutos.

Encendido de la lámpara delantera

► **Fig.4:** 1. Lámpara

PRECAUCIÓN: No mire a la luz ni vea la fuente de luz directamente.

Apriete el gatillo interruptor para encender la lámpara. La lámpara seguirá encendida mientras el gatillo interruptor esté siendo apretado. La lámpara se apagará 10 segundos aproximadamente después de soltar el gatillo interruptor.

NOTA: Utilice un paño seco para quitar la suciedad de la lente de la lámpara. Tenga cuidado de no rayar la lente de la lámpara, porque podrá disminuir la iluminación.

NOTA: Cuando la herramienta se recaliente, la luz parpadeará durante un minuto, y después el visualizador LED se apagará. En este caso, deje enfriar la herramienta antes de utilizarla otra vez.

Accionamiento del interruptor inversor

► **Fig.5:** 1. Palanca del interruptor inversor

PRECAUCIÓN: Confirme siempre la dirección de giro antes de la operación.

PRECAUCIÓN: Utilice el interruptor inversor solamente después de que la herramienta se haya parado completamente. Si cambia la dirección de giro antes de que la herramienta se haya parado podrá dañarla.

PRECAUCIÓN: Cuando no esté utilizando la herramienta, ponga siempre la palanca del interruptor inversor en la posición neutral.

Esta herramienta tiene un interruptor inversor para cambiar la dirección de giro. Presione hacia dentro la palanca del interruptor inversión del lado A para giro hacia la derecha o del lado B para giro hacia la izquierda. Cuando la palanca del interruptor inversor está en la posición neutral, el gatillo interruptor no se puede apretar.

Cambio de velocidad

► **Fig.6:** 1. Palanca de cambio de velocidad

PRECAUCIÓN: Ponga siempre la palanca de cambio de velocidad completamente en la posición correcta. Si utiliza la herramienta con la palanca de cambio de velocidad puesta a medias entre el lado "1" y el lado "2", la herramienta podrá dañarse.

PRECAUCIÓN: No utilice la palanca de cambio de velocidad mientras la herramienta está en marcha. La herramienta podría dañarse.

Posición de la palanca de cambio de velocidad	Velocidad	Par de apriete	Operación aplicable
1	Baja	Alto	Operación con mucha carga
2	Alta	Bajo	Operación con poca carga

Para cambiar la velocidad, primero apague la herramienta. Seleccione el lado "2" para velocidad alta o "1" para velocidad baja pero par de apriete alto. Asegúrese de que la palanca de cambio de velocidad está puesta en la posición correcta antes de realizar la operación. Si la velocidad de la herramienta se reduce mucho durante la operación con "2", deslice la palanca al lado "1" y vuelva a comenzar la operación.

Ajuste del par de apriete

► **Fig.7:** 1. Anillo de ajuste 2. Graduación 3. Flecha

El par de apriete se puede ajustar en 21 niveles girando el anillo de ajuste. Alinee las graduaciones con la flecha en el cuerpo de la herramienta. Puede obtener el par de apriete mínimo en 1 y el par de apriete máximo en la marca

El embrague patinará a varios niveles de par de apriete cuando esté puesto en los números 1 al 20. El embrague no responde en la marca .

Antes de la operación real, atornille un tornillo de prueba en su material o en un trozo de material duplicado para determinar qué nivel de par de apriete se requiere para esa aplicación particular.

Lo siguiente muestra la guía aproximada de la relación entre el tamaño del tornillo y la graduación.

Graduación		1	2	3	4	5	6	7	8	9	10	11	12	13	14	15	16	17	18	19	20	
Tornillo para metales		M4				M5						M6										
Tornillo para madera	Madera blanda (por ejemplo pino)	-				φ3,5 x 22				φ4,1 x 38				-								
	Madera dura (por ejemplo lauan)	-				φ3,5 x 22						φ4,1 x 38				-						

MONTAJE

PRECAUCIÓN: Asegúrese siempre de que la herramienta está apagada y el cartucho de batería retirado antes de realizar cualquier trabajo en la herramienta.

Instalación o desmontaje de la punta de atornillar/broca

Para el modelo DF332D (accesorio opcional)

► **Fig.8:** 1. Manguito 2. Cerrar 3. Abrir

Gire el manguito hacia la izquierda para abrir las garras del mandril. Ponga la punta de atornillar/broca a fondo en el mandril. Gire el manguito hacia la derecha para apretar el mandril. Para desmontar la punta de atornillar/broca, gire el manguito hacia la izquierda.

Instalación o desmontaje de la punta de atornillar/punta de tubo

Para el modelo DF032D (accesorio opcional)

► **Fig.9**

Utilice solamente una punta de atornillar/punta de tubo que tenga la porción de inserción mostrada en la figura. No utilice ninguna otra punta de atornillar/punta de tubo.

Para herramienta con agujero para punta de atornillar corto

A=12 mm B=9 mm	Utilice solamente estos tipos de puntas de atornillar. Siga el procedimiento 1. (Nota) No se necesita adaptador de punta de atornillar.
-------------------	---

Para herramienta con agujero de punta de atornillar profundo

A=17 mm B=14 mm	Para instalar estos tipos de puntas de atornillar, siga el procedimiento 1.
A=12 mm B=9 mm	Para instalar estos tipos de puntas de atornillar, siga el procedimiento 2. (Nota) No se necesita adaptador de punta de atornillar para instalar la punta de atornillar.

1. Para instalar la punta de atornillar, tire del manguito en la dirección de la flecha e inserte la punta de atornillar a tope en el manguito.

Después suelte el manguito para sujetar la punta de atornillar.

► **Fig.10:** 1. Punta de atornillar 2. Manguito

2. Para instalar la punta de atornillar, tire del manguito en la dirección de la flecha e inserte el adaptador de punta de atornillar y la punta de atornillar a tope en el manguito. El adaptador de punta de atornillar debe ser insertado en el manguito con su extremo en punta orientado hacia dentro. Después suelte el manguito para sujetar la punta de atornillar.

► **Fig.11:** 1. Punta de atornillar 2. Adaptador de punta de atornillar 3. Manguito

Para retirar la punta de atornillar, tire del manguito en la dirección de la flecha y saque la punta de atornillar.

NOTA: Si la punta de atornillar no está suficientemente insertada en el manguito, el manguito no retornará a su posición original y la punta de atornillar no quedará bien sujeta. En este caso, intente reinsertando la punta de atornillar de acuerdo con las instrucciones de arriba.

NOTA: Después de insertar la punta de atornillar, asegúrese de que está sujeta firmemente. Si se sale, no la utilice.

Instalación del gancho

► **Fig.12:** 1. Ranura 2. Gancho 3. Tornillo

El gancho resulta útil para colgar temporalmente la herramienta. Se puede instalar en cualquiera de los costados de la herramienta. Para instalar el gancho, insértelo en una ranura en cualquiera de los costados de la carcasa de la herramienta y después sujételo con un tornillo. Para retirarlo, afloje el tornillo y después sáquelo.

Instalación del portapuntas de atornillar

Accesorios opcionales

► **Fig.13:** 1. Portapuntas de atornillar 2. Punta de atornillar

Encaje el portapuntas de atornillar en la protuberancia de la base de la herramienta en el lado derecho o izquierdo y sujételo con un tornillo.

Cuando no esté utilizando la punta de atornillar, manténgala en los portapuntas de atornillar. Ahí se pueden guardar puntas de atornillar de 45 mm de largo.

OPERACIÓN

⚠PRECAUCIÓN: Inserte siempre el cartucho de batería a tope hasta que se bloquee en su sitio. Si puede ver el indicador rojo en el lado superior del botón, no estará bloqueado completamente. Insértelo completamente hasta que el indicador rojo no pueda verse. En caso contrario, podrá caerse accidentalmente de la herramienta y ocasionarle heridas a usted o a alguien que esté cerca de usted.

⚠PRECAUCIÓN: Cuando la velocidad baje mucho, reduzca la carga o detenga la herramienta para evitar dañarla.

Sujete la herramienta firmemente con una mano en la empuñadura y la otra mano en la parte inferior del cartucho de batería para controlar la acción de contorsión.

► **Fig.14**

Operación de atornillar


⚠PRECAUCIÓN: Ajuste el anillo de ajuste al nivel de par de apriete apropiado para su tarea.

⚠PRECAUCIÓN: Asegúrese de que la punta de atornillar está insertada en línea recta en la cabeza del tornillo, o el tornillo y/o la punta de atornillar se podrá dañar.

Ponga la punta de la punta de atornillar en la cabeza del tornillo y aplique presión en la herramienta. Haga funcionar la herramienta despacio y después aumente la velocidad gradualmente. Suelte el gatillo interruptor en cuanto el embrague patine.

NOTA: Cuando atornille tornillos para madera, haga primero un agujero piloto de 2/3 del diámetro del tornillo. Esto facilita el atornillado y evita que se resquebraje la pieza de trabajo.

Operación de perforación

Primero, gire el anillo de ajuste de forma que la flecha apunte a la marca . Después proceda de la forma siguiente.

Perforación en madera

Cuando perforo en madera, los mejores resultados se obtendrán con brocas para madera equipadas con un tornillo guía. El tornillo guía facilita la perforación tirando de la broca hacia el interior de la pieza de trabajo.

Perforación en metal

Para evitar que la broca resbale al empezar a hacer el agujero, haga una mella con un punzón y martillo en el punto a taladrar. Ponga la punta de la broca en la mella y comience a perforar.

Utilice un lubricante para operaciones de corte cuando perforo metales. Las excepciones son acero y latón que deberán ser perforados en seco.

⚠PRECAUCIÓN: Con ejercer una presión excesiva sobre la herramienta no conseguirá perforar más rápido. De hecho, esta presión excesiva sólo servirá para dañar la punta de la broca, disminuir el rendimiento de la herramienta y acortar la vida de servicio de la herramienta.

⚠PRECAUCIÓN: Sujete la herramienta firmemente y tenga cuidado cuando la broca comience a penetrar en la pieza de trabajo. En el momento de comenzar a penetrar se ejerce una fuerza tremenda sobre la herramienta/broca.

⚠PRECAUCIÓN: Una broca atascada podrá extraerse simplemente poniendo el interruptor inversor en giro inverso para que retroceda. Sin embargo, la herramienta podrá retroceder bruscamente si no la sujeta firmemente.

⚠PRECAUCIÓN: Sujete siempre las piezas de trabajo en un tornillo de banco o dispositivo de sujeción similar.


⚠PRECAUCIÓN: Si utiliza la herramienta continuamente hasta descargar el cartucho de batería, deje descansar la herramienta durante 15 minutos antes de proceder con una batería fresca.

Utilización de la herramienta como destornillador manual

► **Fig.15**

Apague la herramienta.

Mueva la palanca del interruptor inversor a la posición neutral.

Gire el anillo de ajuste de forma que la flecha apunte a la marca .

Gire la herramienta.

NOTA: Esta utilización resulta útil para comprobar el atornillado.

NOTA: No utilice la herramienta para tareas que requieran fuerza excesiva, como apretar pernos o retirar tornillos oxidados.

Utilización de la cartuchera

Accesorios opcionales

⚠PRECAUCIÓN: Cuando utilice la cartuchera, retire la punta de atornillar/broca de la herramienta.

⚠PRECAUCIÓN: Apague la herramienta y espere hasta que se haya parado completamente antes de colocarla en la cartuchera.

Asegúrese de cerrar la cartuchera de forma segura con el botón de la cartuchera para que sujete la herramienta firmemente.

1. Pase un cinturón o similar a través del soporte de la cartuchera.

► **Fig.16:** 1. Soporte de la cartuchera 2. Cinturón

2. Ponga la herramienta en la cartuchera y bloquéela con el botón de la cartuchera.

► **Fig.17**

► **Fig.18**

Puede guardar dos puntas de atornillar en la parte delantera de la cartuchera.

- Adaptador de punta de atornillar
- Portapuntas de atornillar
- Cartuchera
- Maletín de transporte de plástico
- Gancho
- Batería y cargador genuinos de Makita

NOTA: Algunos elementos de la lista podrán estar incluidos en el paquete de la herramienta como accesorios estándar. Pueden variar de un país a otro.

MANTENIMIENTO

⚠PRECAUCIÓN: Asegúrese siempre de que la herramienta está apagada y de que el cartucho de batería está retirado antes de intentar hacer una inspección o mantenimiento.

AVISO: No utilice nunca gasolina, bencina, disolvente, alcohol o similares. Podría producir descoloración, deformación o grietas.

Para mantener la SEGURIDAD y FIABILIDAD del producto, las reparaciones, y cualquier otra tarea de mantenimiento o ajuste deberán ser realizadas en centros de servicio o de fábrica autorizados por Makita, empleando siempre repuestos Makita.

ACCESORIOS OPCIONALES

⚠PRECAUCIÓN: Estos accesorios o aditamentos están recomendados para su uso con la herramienta Makita especificada en este manual.

El uso de cualquier otro accesorio o aditamento puede suponer un riesgo de heridas personales.

Utilice el accesorio o aditamento solamente con la finalidad indicada para el mismo.

Si necesita cualquier ayuda para más detalles en relación con estos accesorios, pregunte al centro de servicio Makita local.

- Brocas
- Puntas de atornillar
- Puntas de tubo

ESPECIFICAÇÕES

Modelo:		DF332D	DF032D		
Capacidades de perfuração	Aço	10 mm			
	Madeira	28 mm			
Capacidades de aperto	Parafuso para madeira	5,1 mm x 63 mm			
	Parafuso de montagem	M6			
Velocidade sem carga	Alta (2)	0 - 1.500 min ⁻¹			
	Baixa (1)	0 - 450 min ⁻¹			
Comprimento total		154 mm	124 mm		
Tensão nominal		CC 10,8 V - 12 V máx.			
Bateria		BL1015, BL1016, BL1020B, BL1021B	BL1040B, BL1041B	BL1015, BL1016, BL1020B, BL1021B	BL1040B, BL1041B
Peso líquido		1,0 kg	1,2 kg	0,88 kg	1,0 kg

- Devido a um programa contínuo de pesquisa e desenvolvimento, estas especificações estão sujeitas a alteração sem aviso prévio.
- As especificações e a bateria podem variar de país para país.
- Peso, com a bateria, de acordo com o Procedimento 01/2003 da EPTA (European Power Tool Association)

Utilização a que se destina

A ferramenta serve para perfurar e aparafusar em madeira, metal e plástico.

Ruído

A característica do nível de ruído A determinado de acordo com a EN60745:

Modelo DF332D

Nível de pressão acústica (L_{pA}): 72 dB (A)

Variabilidade (K): 3 dB (A)

O nível de ruído durante o funcionamento pode exceder 80 dB (A).

Modelo DF032D

Nível de pressão acústica (L_{pA}): 71 dB (A)

Variabilidade (K): 3 dB (A)

O nível de ruído durante o funcionamento pode exceder 80 dB (A).

AVISO: Utilize protetores auriculares.

Vibração

Valor total da vibração (soma vetorial tri-axial) determinado de acordo com a EN60745:

Modelo DF332D

Modo de trabalho: perfuração em metal

Emissão de vibração ($a_{h,D}$): 2,5 m/s² ou menos

Variabilidade (K): 1,5 m/s²

Modelo DF032D

Modo de trabalho: perfuração em metal

Emissão de vibração ($a_{h,D}$): 2,5 m/s² ou menos

Variabilidade (K): 1,5 m/s²

NOTA: O valor da emissão de vibração indicado foi medido de acordo com o método de teste padrão e pode ser utilizado para comparar duas ferramentas.

NOTA: O valor da emissão de vibração indicado pode também ser utilizado na avaliação preliminar da exposição.

AVISO: A emissão de vibração durante a utilização real da ferramenta elétrica pode diferir do valor de emissão indicado, dependendo das formas como a ferramenta é utilizada.

AVISO: Certifique-se de identificar as medidas de segurança para proteção do operador que sejam baseadas em uma estimativa de exposição em condições reais de utilização (considerando todas as partes do ciclo de operação, tal como quando a ferramenta está desligada e quando está a funcionar em marcha lenta além do tempo de acionamento).

Declaração de conformidade CE

Só para países Europeus

A Makita declara que a(s) seguinte(s) máquina(s):
Designação da ferramenta: Parafusadeira/Furadeira a Bateria

N.º/ Tipo de modelo: DF332D, DF032D

Em conformidade com as seguintes diretivas europeias: 2006/42/CE

São fabricadas de acordo com as seguintes normas ou documentos normalizados: EN60745

O ficheiro técnico, que está em conformidade com a 2006/42/CE, está disponível em:

Makita, Jan-Baptist Vinkstraat 2, 3070, Bélgica



Yasushi Fukaya

Diretor

Makita, Jan-Baptist Vinkstraat 2, 3070, Bélgica

Avisos gerais de segurança para ferramentas elétricas

⚠️ AVISO: Leia todos os avisos de segurança e todas as instruções. O não cumprimento de todos os avisos e instruções pode originar choque elétrico, incêndio e/ou ferimentos graves.

Guarde todos os avisos e instruções para futuras referências.

O termo "ferramenta elétrica" nos avisos refere-se às ferramentas elétricas ligadas à corrente elétrica (com cabo) ou às ferramentas elétricas operadas por meio de bateria (sem cabo).

Avisos de segurança para a parafusadeira/furadeira a bateria

1. Utilize pega(s) auxiliar(es), se fornecida(s) com a ferramenta. A perda de controle pode causar ferimentos pessoais.
2. Segure na ferramenta elétrica pelas superfícies de aderência isoladas, quando executar uma operação em que o acessório de corte possa entrar em contacto com fios ocultos. O acessório de corte que entra em contacto com um fio "com corrente" pode passar a corrente para as partes metálicas expostas da ferramenta elétrica e causar choque elétrico ao operador.
3. Segure na ferramenta elétrica pelas superfícies de aderência isoladas, quando executar uma operação em que o grampo possa entrar em contacto com fios ocultos. Os grampos que entrem em contacto com um fio "com corrente" podem passar a corrente para as partes metálicas expostas da ferramenta elétrica e causar choque elétrico ao operador.
4. Certifique-se sempre que possui uma base firme. Certifique-se de que ninguém está por baixo quando usa a ferramenta em locais elevados.
5. Segure a ferramenta firmemente.
6. Mantenha as mãos afastadas das partes giratórias.
7. Não deixe a ferramenta a funcionar. Opere a ferramenta apenas quando a estiver a agarrar.
8. Não toque na broca de perfuração ou na peça de trabalho imediatamente após a operação; podem estar extremamente quentes e queimar a sua pele.
9. Alguns materiais contêm químicos que podem ser tóxicos. Tome cuidado para evitar a inalação de poeira e o contacto com a pele. Siga os dados de segurança do fornecedor do material.

10. Se não for possível soltar a broca de perfuração mesmo se abrir os mordentes, utilize um alicate para extrai-la. Nesse caso, extrair a broca de perfuração manualmente poderá resultar em lesões provocadas pelo seu bordo afiado.

GUARDE ESTAS INSTRUÇÕES.

⚠️ AVISO: NÃO permita que conforto ou familiaridade com o produto (adquirido com o uso repetido) substitua a aderência estrita às regras de segurança da ferramenta. MÁ INTERPRETAÇÃO ou não seguimento das regras de segurança estabelecidas neste manual de instruções pode causar danos pessoais sérios.

Instruções de segurança importantes para a bateria

1. Antes de utilizar a bateria, leia todas as instruções e etiquetas de precaução no (1) carregador de bateria (2) bateria e (3) produto que utiliza a bateria.
2. Não abra a bateria.
3. Se o tempo de funcionamento se tornar excessivamente curto, pare o funcionamento imediatamente. Pode resultar em sobreaquecimento, possíveis queimaduras e mesmo explosão.
4. Se entrar eletrólito nos seus olhos, lave-os com água e consulte imediatamente um médico. Pode resultar em perda de visão.
5. Não coloque a bateria em curto-circuito:
 - (1) Não toque nos terminais com qualquer material condutor.
 - (2) Evite guardar a bateria juntamente com outros objetos metálicos tais como pregos, moedas, etc.
 - (3) Não exponha a bateria à água ou chuva. Um curto-circuito pode ocasionar um enorme fluxo de corrente, sobreaquecimento, possíveis queimaduras e mesmo estragar-se.
6. Não guarde a ferramenta e a bateria em locais onde a temperatura pode atingir ou exceder 50°C.
7. Não queime a bateria mesmo que esteja estragada ou completamente gasta. A bateria pode explodir no fogo.
8. Tenha cuidado para não deixar cair ou dar pancadas na bateria.
9. Não utilize uma bateria danificada.
10. As baterias de íões de lítio contidas na ferramenta são sujeitas aos requisitos da DGL (Dangerous Goods Legislation - Legislação de bens perigosos).
Para o transporte comercial, por exemplo, por terceiros ou agentes de expedição, têm de ser observados os requisitos referentes à embalagem e etiquetagem.
Para preparação do artigo a ser expedido, é necessário consultar um perito em materiais perigosos. Tenha ainda em conta a possibilidade de existirem regulamentos nacionais mais detalhados. Coloque fita-cola ou tape os contactos abertos e embale a bateria de tal forma que não possa mover-se dentro da embalagem.

11. Siga os regulamentos locais relacionados com a eliminação de baterias.
12. Utilize as baterias apenas com os produtos especificados pela Makita. Instalar as baterias em produtos não-conformes poderá resultar num incêndio, calor excessivo, explosão ou fuga de eletrólito.

GUARDE ESTAS INSTRUÇÕES.

⚠️ PRECAUÇÃO: Utilize apenas baterias genuínas da Makita. A utilização de baterias não genuínas da Makita ou de baterias que foram alteradas, pode resultar no rebentamento da bateria provocando incêndios, ferimentos pessoais e danos. Além disso, anulará da garantia da Makita no que se refere à ferramenta e ao carregador Makita.

Conselhos para manter a máxima vida útil da bateria

1. Carregue a bateria antes que esteja completamente descarregada. Pare sempre o funcionamento da ferramenta e carregue a bateria quando notar menos poder na ferramenta.
2. Nunca carregue uma bateria completamente carregada. Carregamento excessivo diminui a vida útil da bateria.
3. Carregue a bateria à temperatura ambiente de 10°C – 40°C. Deixe que uma bateria quente arrefeça antes de a carregar.

DESCRIÇÃO FUNCIONAL

⚠️ PRECAUÇÃO: Certifique-se sempre de que a ferramenta está desligada e a bateria foi retirada antes de regular ou verificar qualquer função na ferramenta.

Instalação ou remoção da bateria

⚠️ PRECAUÇÃO: Desligue sempre a ferramenta antes de colocar ou retirar a bateria.

⚠️ PRECAUÇÃO: Segure firmemente a ferramenta e a bateria quando instalar ou remover a bateria. Se não segurar firmemente a ferramenta e a bateria pode fazer com que escorreguem das suas mãos resultando em danos na ferramenta e na bateria e ferimentos pessoais.

► Fig.1: 1. Indicador vermelho 2. Botão 3. Bateria

Para retirar a bateria, deslize-a para fora da ferramenta enquanto desliza o botão na frente da bateria.

Para instalar a bateria, alinhe a lingueta da bateria com a ranhura no compartimento e deslize-a no lugar. Empurre-a até o fim para que a mesma encaixe no lugar com um clique. Se puder ver a parte vermelha no lado superior do botão, significa que não está completamente bloqueada.

⚠️ PRECAUÇÃO: Instale sempre a bateria até ao fim, até deixar de ver o indicador vermelho. Caso contrário, a bateria poderá cair da ferramenta acidentalmente e provocar ferimentos em si mesmo ou em alguém próximo.

⚠️ PRECAUÇÃO: Não instale a bateria à força. Se a bateria não deslizar facilmente é porque não foi colocada corretamente.

Sistema de proteção da bateria

A ferramenta está equipada com um sistema de proteção da bateria. Este sistema corta automaticamente a energia para o motor a fim de prolongar a vida útil da bateria.

A ferramenta para automaticamente durante o funcionamento se a mesma e/ou a bateria estiver numa das seguintes circunstâncias:

Sobrecarga:

A ferramenta é utilizada de tal forma que puxa uma corrente elevada demais.

Neste caso, desligue a ferramenta e pare a aplicação que fez com que a ferramenta ficasse sobrecarregada. Depois, ligue a ferramenta para a reiniciar.

Se a ferramenta não reiniciar, a bateria está sobreaquecida. Nesta situação, deixe a bateria arrefecer antes de voltar a ligar a ferramenta.

Baixa tensão da bateria:

A carga restante da bateria está baixa demais e a ferramenta não funciona. Se ligar a ferramenta, o motor funciona novamente mas para logo a seguir. Nesse caso, retire a bateria e recarregue-a.

Indicação da capacidade restante da bateria

Apenas para baterias com indicador

► Fig.2: 1. Luzes indicadoras 2. Botão de verificação

Prima o botão de verificação na bateria para indicar a capacidade restante da bateria. As luzes indicadoras acendem durante alguns segundos.

Luzes indicadoras		Carga restante
Aceso	Desligada	
■ ■ ■ ■	□	75% a 100%
■ ■ ■ □	□	50% a 75%
■ ■ □ □	□ □	25% a 50%
■ □ □ □	□ □ □ □	0% a 25%

NOTA: Dependendo das condições de utilização e da temperatura ambiente, a indicação pode ser ligeiramente diferente da capacidade real.

Ação do interruptor

► Fig.3: 1. Gatilho do interruptor

PRECAUÇÃO: Antes de colocar a bateria na ferramenta, verifique sempre se o gatilho do interruptor funciona corretamente e volta para a posição "OFF" quando libertado.

Para iniciar a ferramenta, carregue simplesmente no gatilho do interruptor. A velocidade da ferramenta aumenta quando aumenta a pressão no gatilho. Liberte o gatilho do interruptor para parar.

NOTA: A ferramenta para automaticamente se continuar a puxar o gatilho durante cerca de 6 minutos.

Acender a lâmpada da frente

► Fig.4: 1. Lâmpada

PRECAUÇÃO: Não olhe para a luz ou para a fonte de iluminação diretamente.

Puxe o gatilho do interruptor para acender a lâmpada. A lâmpada mantém-se acesa enquanto o gatilho do interruptor estiver a ser premido. A lâmpada apaga-se aproximadamente 10 segundos após soltar o gatilho do interruptor.

NOTA: Utilize um pano seco para limpar a sujidade da lente da lâmpada. Tenha cuidado para não riscar a lente da lâmpada ou a iluminação pode ficar enfraquecida.

NOTA: Quando a ferramenta está demasiado quente, a luz pisca durante um minuto e, em seguida, o mostrador LED apaga-se. Neste caso, arrefeça a ferramenta antes de voltar a utilizá-la.

Ação do interruptor de inversão

► Fig.5: 1. Alavanca do interruptor de inversão

PRECAUÇÃO: Verifique sempre a direção de rotação antes da operação.

PRECAUÇÃO: Só utilize o interruptor de inversão depois de a ferramenta estar completamente parada. Mudar a direção de rotação antes de a ferramenta parar pode estragar a ferramenta.

PRECAUÇÃO: Quando não estiver a utilizar a ferramenta, coloque sempre a alavanca do interruptor de inversão na posição neutra.

Esta ferramenta tem um interruptor de inversão para mudar a direção de rotação. Pressione a alavanca do interruptor de inversão no lado A para rotação para a direita ou no lado B para rotação para a esquerda. Quando a alavanca do interruptor de inversão está na posição neutra, não é possível carregar no gatilho.

Mudança de velocidade

► Fig.6: 1. Alavanca de mudança de velocidade

PRECAUÇÃO: Regule sempre a alavanca de mudança de velocidade completamente para a posição correta. Se operar a ferramenta com a alavanca de mudança de velocidade posicionada a meio entre o lado "1" e o lado "2", a ferramenta pode ficar danificada.

PRECAUÇÃO: Não utilize a alavanca de mudança de velocidade enquanto a ferramenta estiver a funcionar. A ferramenta pode ficar danificada.

Posição da alavanca de mudança de velocidade	Velocidade	Binário	Operação aplicável
1	Baixa	Alto	Operação com carga pesada
2	Alta	Baixo	Operação com carga leve

Para alterar a velocidade, desligue primeiro a ferramenta. Selecione o lado "2" para alta velocidade ou "1" para baixa velocidade mas com um binário alto. Certifique-se de que a alavanca de mudança de velocidade está regulada para a posição correta antes da operação. Se a velocidade da ferramenta decair extremamente durante a operação com "2", deslize a alavanca para "1" e reinicie a operação.

Ajustar o binário de aperto

► **Fig.7:** 1. Anel de regulação 2. Graduação 3. Seta

O binário de aperto pode ser regulado em 21 níveis, rodando o anel de regulação. Alinhe as graduações com a seta no corpo da ferramenta. Pode obter o binário de aperto mínimo em 1 e o binário de aperto máximo na marca . A embraiagem desliza em vários níveis de binário quando definida para o número 1 a 20. A embraiagem não funciona na marca .

Antes da operação efetiva, aparafuse um parafuso de teste no material ou numa peça de material duplicado para determinar que nível de aperto é necessário para uma aplicação específica.

A seguir é apresentada uma régua rudimentar com o relacionamento entre o tamanho do parafuso e a graduação.

Graduação		1	2	3	4	5	6	7	8	9	10	11	12	13	14	15	16	17	18	19	20	
Parafuso de montagem		M4				M5								M6								
Parafuso para madeira	Madeira macia (por exemplo, pinho)	-				φ3,5 x 22				φ4,1 x 38				-								
	Madeira rija (por exemplo, lauan)	-				φ3,5 x 22				φ4,1 x 38				-								

MONTAGEM

⚠ PRECAUÇÃO: Certifique-se sempre de que a ferramenta está desligada e a bateria retirada antes de executar qualquer trabalho na ferramenta.

Instalar ou retirar a broca de aparafusar/broca de perfuração

Para o Modelo DF332D (acessório opcional)

► **Fig.8:** 1. Manga 2. Fechar 3. Abrir

Rode a manga para a esquerda para abrir as garras do mandril. Coloque a broca de aparafusar/broca de perfuração no mandril até onde puder ir. Rode a manga para a direita para apertar o mandril. Para retirar a broca de aparafusar/broca de perfuração, rode a manga para a esquerda.

Instalar ou retirar a broca de aparafusar/broca de contacto

Para o modelo DF032D (acessório opcional)

► **Fig.9**

Utilize só brocas de aparafusar/brocas de contacto que tenham a parte de inserção como mostrado na figura. Não utilize outras brocas de aparafusar/brocas de contacto.

Para ferramenta com furo de broca de aparafusar raso

A=12 mm B=9 mm	Utilize só estes tipos de brocas de aparafusar. Execute o procedimento 1. (Nota) Não necessita de extensão da broca.
-------------------	--

Para ferramenta com furo de broca de aparafusar fundo

A=17 mm B=14 mm	Para instalar estes tipos de broca de aparafusar, execute o procedimento 1.
A=12 mm B=9 mm	Para instalar estes tipos de broca de aparafusar, execute o procedimento 2. (Nota) Necessita de extensão da broca para instalar a broca.

1. Para instalar a broca de aparafusar, puxe a manga na direção da seta e coloque a broca de aparafusar dentro da manga, o mais fundo possível.

Em seguida, solte a manga para prender a broca de aparafusar.

► **Fig.10:** 1. Broca de aparafusar 2. Manga

2. Para instalar a broca de aparafusar, puxe a manga na direção da seta e coloque a extensão da broca e a broca de aparafusar dentro da manga, o mais fundo possível. A extensão da broca deve ser colocada dentro da manga com a extremidade pontiaguda virada para dentro. Depois, solte a manga para prender a broca de aparafusar.

► **Fig.11:** 1. Broca de aparafusar 2. Extensão da broca 3. Manga

Para remover a broca de aparafusar, puxe a manga na direção da seta e puxe a broca de aparafusar para fora.

NOTA: Se a broca de aparafusar não estiver colocada suficientemente funda na manga, a manga não voltará para a sua posição original e a broca de aparafusar não ficará presa. Neste caso, volte a colocar a broca de acordo com as instruções acima.

NOTA: Depois de colocar a broca de aparafusar, certifique-se de que está presa firmemente. Se sair, não a utilize.

Instalar o gancho

► **Fig.12:** 1. Ranhura 2. Gancho 3. Parafuso

O gancho é conveniente para pendurar temporariamente a ferramenta. Pode ser instalado em qualquer um dos lados da ferramenta. Para instalar o gancho, coloque-o numa ranhura no corpo da ferramenta em qualquer um dos lados e prenda-o com um parafuso. Para o retirar, solte o parafuso e retire-o.

Instalar o suporte da broca de aparafusar

Acessório opcional

► **Fig.13:** 1. Suporte da broca de aparafusar 2. Broca de aparafusar

Coloque o suporte da broca de aparafusar na saliência na base da ferramenta no lado direito ou esquerdo e fixe-o com um parafuso.

Quando não estiver a utilizar a broca de aparafusar, mantenha-a nos suportes. Consegue guardar brocas de aparafusar com 45 mm de comprimento no suporte.

OPERAÇÃO

⚠PRECAUÇÃO: Insira sempre a bateria por completo até bloquear no lugar com um clique. Se conseguir ver o indicador vermelho no lado superior do botão, é porque não está bloqueada completamente. Introduza-a totalmente até o indicador vermelho não puder ser visto. Se isso não acontecer, a bateria pode cair acidentalmente da ferramenta, causando-lhe ferimentos a si ou alguém perto de si.

⚠PRECAUÇÃO: Quando a velocidade baixa demais, eduz a carga ou pare a ferramenta para evitar danificá-la.

Segure firmemente a ferramenta com uma mão no punho e a outra mão na parte inferior do cartucho da bateria para controlar a ação de torção.

► **Fig.14**

Operação da chave de parafusos


⚠PRECAUÇÃO: Ajuste o anel de regulação para o nível de binário adequado ao seu trabalho.

⚠PRECAUÇÃO: Certifique-se de que a broca de aparafusar está inserida a direito na cabeça do parafuso, ou o parafuso e/ou a broca de aparafusar podem ficar danificados.

Coloque a ponta da broca de aparafusar na cabeça do parafuso e aplique pressão na ferramenta. Inicie a ferramenta lentamente e, depois, aumente gradualmente a velocidade. Solte o gatilho do interruptor assim que a embraiagem entrar em ação.

NOTA: Quando aparafusar parafusos para madeira, perfure previamente um orifício piloto com 2/3 do diâmetro do parafuso. Facilita o aparafusamento e evita fissuras na peça de trabalho.

Operação de perfuração

Primeiro, rode o anel de regulação para que a seta aponte para a marca . Depois continue como se segue.

Perfurar em madeira

Quando perfurar em madeira, os melhores resultados são obtidos com brocas para madeira equipadas com um parafuso guia. O parafuso guia facilita a perfuração empurrando a broca de perfuração para dentro da peça de trabalho.

Perfurar em metal

Para evitar que a broca de perfuração deslize quando começa um orifício, faça um entalhe com um punção de bico e um martelo no ponto a perfurar. Coloque a ponta da broca de perfuração no entalhe e comece a perfurar. Utilize um lubrificante de corte quando perfurar metais. As exceções são ferro e latão, que devem ser perfurados a seco.

⚠PRECAUÇÃO: Não acelerará a perfuração se exercer demasiada pressão na ferramenta. Na realidade, esta pressão excessiva servirá apenas para danificar a ponta da broca de perfuração, diminuir o desempenho da ferramenta e encurtar o tempo de vida útil da ferramenta.

⚠PRECAUÇÃO: Segure a ferramenta com firmeza e tenha cuidado quando a broca de perfuração começar a atravessar a peça de trabalho. No momento de atravessar o orifício, exercer-se-á uma enorme força na ferramenta/broca de perfuração.

⚠PRECAUÇÃO: Uma broca de perfuração presa pode ser retirada colocando-se simplesmente o interruptor de inversão para rotação inversa para fazê-la sair. No entanto, a ferramenta pode saltar para trás de repente se não a agarrar firmemente.

⚠PRECAUÇÃO: Fixe sempre as peças de trabalho num torno ou outro dispositivo de fixação semelhante.


⚠PRECAUÇÃO: Se a ferramenta funcionar continuamente até o cartucho da bateria ficar descarregado, deixe a ferramenta de lado 15 minutos antes de prosseguir com uma bateria nova.

Utilizar a ferramenta como uma chave de parafusos manual

► **Fig.15**

Desligue a ferramenta.

Mova a patilha do interruptor de inversão para a posição neutra.

Rode o anel de regulação de forma que a seta aponte para a marca .

Rode a ferramenta.

NOTA: Esta utilização é conveniente para verificar a função de chave de parafusos.

NOTA: Não utilize a ferramenta para trabalhos que requeiram uma força excessiva, como apertar um perno ou remover parafusos enferrujados.

Utilizar um coldre

Acessório opcional

⚠️ PRECAUÇÃO: Quando utilizar o coldre, remova a broca de aparafusar/broca de perfuração da ferramenta.

⚠️ PRECAUÇÃO: Desligue a ferramenta e aguarde até parar completamente antes de a colocar no coldre. Certifique-se de que fecha o coldre em segurança com o botão do coldre de forma a guardar firmemente a ferramenta.

1. Passe um cinto ou semelhante através do suporte do coldre.

► **Fig.16:** 1. Suporte do coldre 2. Cinto

2. Coloque a ferramenta dentro do coldre e feche-o com o botão do coldre.

► **Fig.17**

► **Fig.18**

Pode guardar duas brocas de aparafusar na parte da frente do coldre.

- Extensão da broca
- Suporte da broca de aparafusar
- Coldre
- Caixa de plástico para transporte
- Gancho
- Bateria e carregador genuínos da Makita

NOTA: Alguns itens da lista podem estar incluídos na embalagem da ferramenta como acessórios padrão. Eles podem variar de país para país.

MANUTENÇÃO

⚠️ PRECAUÇÃO: Certifique-se sempre de que a ferramenta se encontra desligada e de que a bateria foi retirada antes de executar qualquer inspeção ou manutenção.

OBSERVAÇÃO: Nunca utilize gasolina, benzina, diluente, álcool ou produtos semelhantes. Pode ocorrer a descoloração, deformação ou rachaduras.

Para manter a SEGURANÇA e a FIABILIDADE do produto, as reparações e qualquer outra manutenção ou ajuste devem ser levados a cabo pelos centros de assistência Makita autorizados ou pelos centros de assistência de fábrica, utilizando sempre peças de substituição Makita.

ACESSÓRIOS OPCIONAIS

⚠️ PRECAUÇÃO: Estes acessórios ou peças são recomendados para utilização com a ferramenta Makita especificada neste manual. A utilização de outros acessórios ou peças pode ser perigosa para as pessoas. Utilize apenas acessórios ou peças para os fins indicados.

Se necessitar de informações adicionais relativas a estes acessórios, solicite-as ao seu centro de assistência Makita.

- Brocas de perfuração
- Brocas de aparafusar
- Brocas de contacto

SPECIFIKATIONER

Model:		DF332D	DF032D		
Borekapacitet	Stål	10 mm			
	Træ	28 mm			
Skrukapacitet	Træskrue	5,1 mm x 63 mm			
	Maskinskrue	M6			
Hastighed uden belastning	Høj (2)	0 - 1.500 min ⁻¹			
	Lav (1)	0 - 450 min ⁻¹			
Længde i alt		154 mm	124 mm		
Mærkespænding		D.C. 10,8 V - 12 V maks.			
Akku		BL1015, BL1016, BL1020B, BL1021B	BL1040B, BL1041B	BL1015, BL1016, BL1020B, BL1021B	BL1040B, BL1041B
Nettovægt		1,0 kg	1,2 kg	0,88 kg	1,0 kg

- På grund af vores kontinuerlige forsknings- og udviklingsprogrammer kan hosstående specifikationer blive ændret uden varsel.
- Specifikationer og akku kan variere fra land til land.
- Vægt inklusive akku, i henhold til EPTA-Procedure 01/2003

Tilsigtet anvendelse

Denne maskine er beregnet til boring og iskrning af skruer i træ, metal og plastic.

Lyd

Det typiske A-vægtede støjniveau bestemt i overensstemmelse med EN60745:

Model DF332D

Lydtryksniveau (L_{pA}): 72 dB (A)

Usikkerhed (K): 3 dB (A)

Støjniveauet under arbejdet kan overskride 80 dB (A).

Model DF032D

Lydtryksniveau (L_{pA}): 71 dB (A)

Usikkerhed (K): 3 dB (A)

Støjniveauet under arbejdet kan overskride 80 dB (A).

ADVARSEL: Bær høreværn.

Vibration

Vibrationens totalværdi (tre-aksial vektorsum) bestemt i overensstemmelse med EN60745:

Model DF332D

Arbejdstilstand: boring i metal

Vibrationsemission ($a_{h,D}$): 2,5 m/s² eller mindre

Usikkerhed (K): 1,5 m/s²

Model DF032D

Arbejdstilstand: boring i metal

Vibrationsemission ($a_{h,D}$): 2,5 m/s² eller mindre

Usikkerhed (K): 1,5 m/s²

BEMÆRK: Den angivne vibrationsemissionsværdier blevet målt i overensstemmelse med standardtestmetoden og kan anvendes til at sammenligne et værktøj med et andet.

BEMÆRK: Den angivne vibrationsemissionsværdien kan også anvendes i en præliminær eksponeringsvurdering.

ADVARSEL: Vibrationsemissionen under den faktiske anvendelse af værktøjet kan være forskellig fra den erklærede emissionsværdi, afhængigt af den måde, hvorpå værktøjet anvendes.

ADVARSEL: Sørg for at identificere de sikkerhedsforskrifter til beskyttelse af operatøren, som er baseret på en vurdering af eksponering under de faktiske brugsforhold (med hensyntagen til alle dele i brugscyklussen, f.eks. de gange, hvor værktøjet er slukket, og når det kører i tomgang i tilgift til afbrydertiden).

EU-konformitetserklæring

Kun for lande i Europa

Makita erklærer, at den følgende maskine (maskiner):

Maskinens betegnelse: Akku skrue-/boremaskine

Model nr./ Type: DF332D, DF032D

Opfylder betingelserne i de følgende EU-direktiver:

2006/42/EU

De er fremstillet i overensstemmelse med den følgende standard eller standardiserede dokumenter: EN60745

Den tekniske fil, som er i overensstemmelse med

2006/42/EU er tilgængelig fra:

Makita, Jan-Baptist Vinkstraat 2, 3070, Belgien



Yasushi Fukaya

Direktør

Makita, Jan-Baptist Vinkstraat 2, 3070, Belgien

Almindelige sikkerhedsregler for el-værktøj

⚠ ADVARSEL: Læs alle sikkerhedsadvarsler og alle sikkerhedsinstruktioner. Hvis nedenstående advarsler og instruktioner ikke overholdes, kan det medføre elektrisk stød, brand og/eller alvorlig personskade.

Gem alle advarsler og instruktioner til fremtidig reference.

Ordet "el-værktøj" i advarslerne henviser til det netforsynede (netledning) el-værktøj eller batteriforsynede (akku) el-værktøj.

Sikkerhedsadvarsler for akku skrue-/boremaskine

1. Brug hjælpehåndtaget (-håndtagene), hvis sådanne følger med maskinen. Hvis herredømmet over maskinen mistes, kan det føre til tilskadekomst.
2. Hold kun maskinen i de isolerede grebflader, når der udføres et arbejde, hvor skæretillbehøret kan komme i kontakt med skjulte ledninger. Skæretillbehør, som kommer i kontakt med en strømførende ledning, kan gøre maskinens ikke-isolerede metaldele strømførende, hvilket kan give operatøren elektrisk stød.
3. Hold kun maskinen i de isolerede grebflader, når De udfører et arbejde, hvor fastgøringsanordningen kan komme i kontakt med skjulte ledninger. Fastgøringsanordninger, som kommer i kontakt med en strømførende ledning, kan gøre uafdækkede metaldele på maskinen strømførende og give operatøren stød.
4. Vær altid sikker på, at De har et godt fodfæste. Vær sikker på, at der ikke befinder sig nogen nedenunder, når maskinen anvendes i højden.
5. Hold godt fast i maskinen.
6. Hold hænderne væk fra roterende dele.
7. Lad ikke maskinen køre i tomgang. Anvend kun maskinen håndholdt.
8. Rør ikke ved borebitten eller arbejdsstykket umiddelbart efter arbejdet, da de kan være meget varme og give hudforbrændinger.
9. Nogle materialer indeholder kemikalier, som kan være giftige. Vær påpasselig med at forhindre inhalering af støv og hudkontakt. Følg materiale-leverandørens sikkerhedsdata.
10. Hvis borebitten ikke kan løsnes, selvom du åbner kærerne, skal du bruge en tang til at trække den ud. Hvis du i et sådant tilfælde trækker borebitten ud i hånden, kan det medføre personskade på grund af dens skarpe kant.

GEM DENNE BRUGSANVISNING.

⚠ ADVARSEL: LAD IKKE bekvemmelighed eller kendskab til produktet (opnået gennem gentagen brug) forhindre, at sikkerhedsforskrifterne for produktet nøje overholdes. MISBRUG eller forsømmelse af at følge de i denne brugsvejledning givne sikkerhedsforskrifter kan føre til, at De kommer alvorligt til skade.

Vigtige sikkerhedsinstruktioner for akkuen

1. Læs alle instruktioner og advarselmærkater på (1) akku-opladeren, (2) akkuen og (3) produktet, som anvender akku.
2. Lad være med at skille akkuen ad.
3. Hold straks op med anvendelsen, hvis brugstiden er blevet stærkt afkortet. Forsat anvendelse kan resultere i risiko for overophedning, forbrændinger og endog eksplosion.
4. Hvis De har fået elektrolytvæske i øjnene, skal De straks skylle den ud med rent vand og derefter øjeblikkeligt søge lægehjælp. I modsat fald kan De miste synet.
5. Vær påpasselig med ikke at komme til at kortslutte akkuen:
 - (1) Rør ikke ved terminalerne med noget ledende materiale.
 - (2) Undgå at opbevare akkuen i en beholder sammen med andre genstande af metal, for eksempel søm, mønter og lignende.
 - (3) Udsæt ikke akkuen for vand eller regn. Kortslutning af akkuen kan forårsage en kraftig øgning af strømmen, overophedning, mulige forbrændinger og endog værktøjstop.
6. Opbevar ikke værktøjet og akkuen på et sted, hvor temperaturen kan nå eller overstige 50 °C.
7. Lad være med at brænde akkuen, selv ikke i tilfælde, hvor den har lidt alvorlig skade eller er fuldstændig udtjent. Akkuen kan eksplodere, hvis man forsøger at brænde den.
8. Lad være med at brænde akkuen eller udsætte den for stød.
9. Anvend ikke en beskadiget akku.
10. De indbyggede litium-ion-batterier er underlagt lovkrav vedrørende farligt gods. Ved kommerciel transport, f.eks. af tredjeparts transportselskaber, skal særlige krav til forpakning og mærkning overholdes. Ved forberedelse af udstyret til forsendelse skal du kontakte en ekspert i farligt gods. Overhold også eventuel mere detaljeret national lovgivning. Tape eller tildæk åbne kontakter, og pak batteriet på en måde, så det ikke kan flytte sig rundt i pakningen.
11. Følg de lokale love vedrørende bortskaffelsen af batterier.
12. Brug kun batterierne med de produkter, som Makita specificerer. Hvis batterierne installeres i ikke-kompatible produkter, kan det medføre brand, kraftig varme, eksplosion eller udsivning af elektrolyt.

GEM DENNE BRUGSANVISNING.

⚠ FORSIGTIG: Brug kun originale batterier fra Makita. Brug af uoriginale Makita-batterier, eller batterier som er blevet ændret, kan muligvis medføre brud på batteriet, hvilket kan forårsage brand, personskade eller beskadigelse. Det ugyldiggør også Makita-garantien for Makita-maskinen og opladeren.

Tips til opnåelse af maksimal akku-levetid

1. Oplad akkuen, inden den er helt afladet. Stop altid værktøjet, og oplad akkuen, hvis De bemærker, at værktøjeffekten er aftagende.
2. Genoplad aldrig en fuldt opladet akku. Overoplading vil afkorte akkuens levetid.
3. Oplad akkuen ved stuetemperatur ved 10 °C - 40 °C. Lad altid en varm akku få tid til at køle af, inden den oplades.

FUNKTIONSBESKRIVELSE

⚠ FORSIGTIG: Sørg altid for at maskinen er slukket, og at akkuen er taget ud, før der udføres justering eller kontrol af funktioner på maskinen.

Isætning eller fjernelse af akkuen

⚠ FORSIGTIG: Sluk altid for værktøjet, før De monterer eller fjerner akkuen.

⚠ FORSIGTIG: Hold værktøjet og akkuen fast ved montering eller fjernelse af akkuen. Hvis De ikke holder værktøjet og akkuen fast, kan de glide ud af hænderne på Dem og forårsage beskadigelse af værktøjet og akkuen eller personskade.

► Fig.1: 1. Rød indikator 2. Knap 3. Akku

Akkuen fjernes ved, at De trækker den ud af værktøjet, idet De skyder knappen på forsiden af akkuen i stilling.

Akkuen monteres ved, at De sætter tungen på akkuen ud for noten i kabinettet og lader den glide på plads. Sæt den hele vejen ind, så den låses på plads med et lille klik. Hvis den røde indikator på oversiden af knappen er synlig, betyder det, at den ikke er tilstrækkeligt låst.

⚠ FORSIGTIG: Monter altid akkuen helt, indtil den røde indikator ikke længere er synlig. Hvis dette ikke gøres, kan den falde ud af værktøjet ved et uheld, hvorved De selv eller personer i nærheden kan komme til skade.

⚠ FORSIGTIG: Brug ikke magt ved montering af akkuen. Hvis akkuen ikke glider på plads uden problemer, betyder det, at den ikke sættes i på korrekt vis.

Batteribeskyttelsessystem

Maskinen er udstyret med et batteribeskyttelsessystem. Dette system afbryder automatisk strømmen til motoren for at forlænge akkulevetiden.

Maskinen stopper automatisk under anvendelsen, hvis maskinen og/eller akkuen udsættes for en af de følgende situationer:

Overbelastet:

Maskinen anvendes på en sådan måde, at den bruger unormalt meget strøm. Sluk i så fald for maskinen, og stop den anvendelse, der medførte, at maskinen blev overbelastet. Tænd derefter for maskinen for at starte igen. Hvis maskinen ikke starter, er akkuen overophedet. Lad i så fald akkuen køle af, før du tænder for maskinen igen.

Lav spænding på akkuen:

Den resterende batteriladning er for lav, og maskinen vil ikke fungere. Hvis De tænder for maskinen, kører motoren igen, men stopper hurtigt. I denne situation skal De fjerne og oplade akkuen.

Indikation af den resterende batteriladning

Kun til akkuer med indikatoren

► Fig.2: 1. Indikatorlamper 2. Kontrolknap

Tryk på kontrolknappen på akkuen for at få vist den resterende batteriladning. Indikatorlampen lyser i nogle sekunder.

Indikatorlamper		Resterende kapacitet
Tændt	Slukket	
		75% til 100%
		50% til 75%
		25% til 50%
		0% til 25%

BEMÆRK: Afhængigt af brugsforholdene og den omgivende temperatur kan indikationen afvige en smule fra den faktiske ladning.

Afbryderbetjening

► Fig.3: 1. Afbryderknap

⚠ FORSIGTIG: Inden akkuen sættes i maskinen, bør De altid kontrollere, at afbryderknappen fungerer korrekt, og returnerer til "OFF"-positionen, når den slippes.

For at starte maskinen trykkes der blot på afbryderknappen. Maskinens hastighed øges ved at øge trykket på afbryderknappen. Slip afbryderknappen for at stoppe.

BEMÆRK: Maskinen stopper automatisk, hvis De bliver ved med at trykke på afbryderknappen i cirka 6 minutter.

Tænding af lampen foran

► Fig.4: 1. Lampe

⚠ FORSIGTIG: Kig aldrig direkte på lyskilden. Lad ikke lyset falde i Deres øjne.

Tryk afbryderknappen ind for at tænde for lampen. Lampen fortsætter med at lyse, så længe afbryderknappen trykkes ind. Lampen slukker omkring 10 sekunder efter at afbryderknappen er udløst.

BEMÆRK: Brug en tør klud til at tørre snavset af lampens linse. Pas på ikke at ride lampens linse, da dette muligvis kan dæmpe belysningen.

BEMÆRK: Hvis maskinen er overophedet, blinker lyset i et minut, hvorefter LED-displayet slukker. I dette tilfælde skal maskinen køle ned, før den anvendes igen.

Omløbsvælgerbetjening

► Fig.5: 1. Omløbsvælger

⚠FORSIGTIG: Kontrollér altid omløbsretningen, inden arbejdet påbegyndes.

⚠FORSIGTIG: Flyt kun omløbsvælgeren, når maskinen er helt standset. Hvis omløbsretningen ændres, inden maskinen er helt stoppet, kan det beskadige maskinen.

⚠FORSIGTIG: Sæt altid omløbsvælgeren i neutral stilling, når maskinen ikke anvendes.

Denne maskinen har en omløbsvælger til at skifte omløbsretning. Skub omløbsvælgeren ind fra A-siden for omdrejning med uret, og fra B-siden for omdrejning mod uret.

Når omløbsvælgeren er i neutral stilling, kan afbryderknappen ikke trykkes ind.

Skift af hastighed

► Fig.6: 1. Hastighedsvælger

⚠FORSIGTIG: Sæt altid hastighedsvælgeren helt til den korrekte stilling. Hvis maskinen anvendes med hastighedsvælgeren sat halvvejs mellem "1"-siden og "2"-siden, kan maskinen lide skade.


⚠FORSIGTIG: Brug ikke hastighedsvælgeren, mens maskinen kører. Maskinen kan lide skade.


Position af hastighedsvælger	Hastighed	Moment	Anvendelig betjening
1	Lav	Høj	Betjening med høj belastning
2	Høj	Lav	Betjening med let belastning

For at ændre hastigheden skal maskinen først slukkes. Vælg "2"-siden for høj hastighed eller "1" for lav hastighed men højt moment. Sørg for, at hastighedsvælgeren er sat i den rigtige stilling, inden arbejdet påbegyndes. Hvis maskinens hastighed falder meget under betjening med "2", skal vælgeren skubbes hen på "1", og betjeningen genstartes.

Indstilling af drejningsmomentet

► Fig.7: 1. Justeringsring 2. Graduering 3. Pil

Drejningsmomentet kan justeres i 21 niveauer ved at dreje på justeringsringen. Ret gradueringerne ind med pilen på maskinen. Du kan opnå det mindste drejningsmoment på 1, og det maksimale moment på -mærket.

Koblingen slipper på forskellige momentniveauer ved indstilling på nummer 1 til 20. Koblingen fungerer ikke på -mærket. Inden arbejdet påbegyndes, skal man skrue en prøveskrue i materialet eller et stykke tilsvarende materiale for at bestemme, hvilket momentniveau der kræves til en bestemt anvendelse.

Det følgende viser en grov vejledning over forholdet mellem skruestørrelse og graduering.

Graduering		1	2	3	4	5	6	7	8	9	10	11	12	13	14	15	16	17	18	19	20
Maskinskrue		M4				M5						M6									
Træskrue	Blødt træ (f.eks. fyr)	-				φ3,5 x 22			φ4,1 x 38			-									
	Hårdt træ (f.eks. lauan)	-				φ3,5 x 22						φ4,1 x 38			-						

SAMLING

⚠FORSIGTIG: Sørg altid for at maskinen er slukket, og at akkuen er taget ud, før der udføres noget arbejde på maskinen.

Isætning eller fjernelse af skruebit/borebit

For Model DF332D (ekstraudstyr)

► Fig.8: 1. Muffe 2. Luk 3. Åbn

Drej muffen mod uret for at åbne borpatronkæberne. Sæt skruebitten/borebitten så langt ind i borpatronen som den kan komme. Drej muffen med uret for at spænde borpatronen. For at fjerne skruebitten/borebitten, drejes muffen mod uret.

Montering og afmontering af skruebit/top

For Model DF032D (ekstraudstyr)

► Fig.9

Anvend kun en skruebit/top med en isætningsdel som den, der vises på illustrationen. Brug ikke nogen anden skruebit/top.

Til maskine med lavt skruebitul

A=12 mm B=9 mm	Anvend kun disse typer skruebits. Følg fremgangsmåden 1. (Bemærk) Bitstykke er ikke nødvendig.
-------------------	--

Til maskine med dybt skruebithul

A=17 mm B=14 mm	Følg fremgangsmåden 1, når disse typer skruebits monteres.
A=12 mm B=9 mm	Følg fremgangsmåden 2, når disse typer skruebits monteres. (Bemærk) Bitstykke er nødvendig ved montering af bitten.

1. For at montere skruebitten, trækkes muffen i pilens retning, og skruebitten sættes så langt ind i muffen, som den kan komme.
Frigør derefter muffen for at fastgøre skruebitten.

► **Fig.10:** 1. Skruebit 2. Muffe

2. For at montere skruebitten, trækkes muffen i pilens retning, og bitstykket og skruebitten sættes så langt ind i muffen, som den kan komme.
Bitstykket sættes ind i muffen med den spidse ende indad. Frigør derefter muffen for at fastgøre skruebitten.

► **Fig.11:** 1. Skruebit 2. Bitstykke 3. Muffe

For at fjerne skruebitten, skal man trække muffen i pilens retning og trække skruebitten ud.

BEMÆRK: Hvis skruebitten ikke sættes langt nok ind i muffen, vil muffen ikke vende tilbage til dens oprindelige position, og skruebitten vil ikke blive holdt ordentlig fast. I så tilfælde kan De prøve at isætte bitten igen som beskrevet i instruktionerne ovenfor.

BEMÆRK: Kontroller, at skruebitten sidder godt fast, når den er sat ind. Den må ikke bruges, hvis den kommer ud.

Monteringskrog

► **Fig.12:** 1. Rille 2. Krog 3. Skruer

Krogen er bekvem til midlertidig ophængning af maskinen. Den kan monteres på begge sider af maskinen. Krogen monteres ved at man sætter den ind i rillen på maskinen på en af siderne og derefter fastgør den med en skrue. Krogen tages af ved at man løsner skruen og derefter tager den af.

Isætning af skruebitholder

Ekstraudstyr

► **Fig.13:** 1. Skruebitholder 2. Skruebit

Sæt skruebitholderen ind i fremspringet på maskinfoden på enten højre eller venstre side og fastgør den med en skrue.

Når skruebitten ikke anvendes, skal den opbevares i skruebitholderne. Der kan opbevares 45 mm lange skruebits.

ANVENDELSE

⚠FORSIGTIG: Sæt altid akkuen helt ind, indtil den låses på plads. Hvis du kan se den røde indikator på den øverste side af knappen, er den ikke helt låst. Sæt den helt ind, indtil den røde indikator ikke kan ses. I modsat fald kan den ved et uheld falde ud af maskinen og medføre personskaade på dig eller personer i nærheden.

⚠FORSIGTIG: Når hastigheden falder ekstremt meget, skal belastningen reduceres, eller maskinen skal stoppes for at undgå beskadigelse af maskinen.

Hold godt fast i maskinen med den ene hånd på grebet og den anden hånd på undersiden af akkuen for at modvirke vridningen.

► **Fig.14**

Betjening som skruetrækker


⚠FORSIGTIG: Indstil justeringsringen til det rigtige momentniveau for Deres arbejde.

⚠FORSIGTIG: Sørg for, at skruebitten er sat lige ind i skruehovedet, da skruen og/eller skruebitten ellers kan lide skade.

Anbring skruebittens spids i skruehovedet og udøv tryk på maskinen. Start maskinen langsomt og øg derefter hastigheden gradvist. Slip afbryderknappen, så snart koblingen går i gang.

BEMÆRK: Når man skruer en træskrue i, skal man forbore et føringshul med 2/3 af skrueens diameter. Dette gør iskrningen nemmere og forhindrer, at arbejdsstykket splinter.

Boring

Drej først justeringsringen, så pilen peger på  -mærket. Fortsæt derefter som følger.

Boring i træ

Når der bores i træ, opnås det bedste resultat med træbor, som er udstyret med en ledeskruer. Ledeskruen gør boring nemmere ved at trække borebitten ind i arbejdsstykket.

Boring i metal

For at forhindre borebitten i at glide, når man begynder på et hul, skal man lave et hak med en kørner og en hammer på det punkt, hvor der skal bores. Anbring spidsen af borebitten i hakket og begynd boringen. Brug skæresmørelse, når der bores i metal. Undtagelserne er jern og messing, som skal tørbores.

⚠FORSIGTIG: Et kraftigere tryk på maskinen vil ikke gøre boringen hurtigere. Faktisk vil et kraftigere tryk kun føre til skade på spidsen af borebitten, nedsætte maskinen ydelse og afkorte maskinens levetid.

⚠FORSIGTIG: Hold godt fast i maskinen og udvis forsigtighed, når borebitten begynder at bryde igennem arbejdsstykket. Maskinen/borebitten udsættes for en kraftig påvirkning på det tidspunkt, hvor der brydes igennem hullet.

⚠FORSIGTIG: En borebit, der har sat sig fast, kan fjernes ved at man ganske enkelt sætter omløbsvælgeren til baglæns rotation for at bakke ud. Imidlertid kan maskinen pludselig bakke ud, hvis man ikke holder godt fast i den.

⚠FORSIGTIG: Fastgør altid arbejdsemner i en skruestik eller lignende udstyr til fastgørelse.


⚠FORSIGTIG: Hvis maskinen anvendes uafbrudt, indtil akkuen er udtjent, skal maskinen have lov til at hvile i 15 minutter, inden der fortsættes med en ny akku.

Brug af maskinen som en håndskruetrækker

► Fig.15

Sluk for maskinen.

Sæt omløbsvælgeren i den neutrale position.

Drej først justeringsringen, så pilen peger på -mærket.

Drej maskinen.

BEMÆRK: Dette er praktisk til kontrol af iskrutningen.

BEMÆRK: Brug ikke maskinen til arbejde som kræver meget kraft, som f.eks. stramning af bolte eller fjernelse af rustne skruer.

Brug af hylster

Ekstraudstyr

⚠FORSIGTIG: Når hylsteret anvendes, skal skruerbitten/borebitten fjernes fra maskinen.

⚠FORSIGTIG: Sluk for maskinen og vent indtil den er helt stoppet, før den placeres i hylsteret. Sørg for at lukke hylsteret ordentligt med hylsterknappen, så det fastholder maskinen ordentligt.

1. Før et bælte eller lignende gennem hylsterholderen.

► Fig.16: 1. Hylsterholder 2. Bælte

2. Placer maskinen i hylsteret og lås det med hylsterknappen.

► Fig.17

► Fig.18

Du kan opbevare to skruerbits foran i hylsteret.

VEDLIGEHOLDELSE

⚠FORSIGTIG: Vær altid sikker på, at værktøjet er slukket, og at akkuen er taget ud, inden De begynder at udføre inspektion eller vedligeholdelse.

BEMÆRKNING: Anvend aldrig benzin, rensbenzin, fortynder, alkohol og lignende. Det kan medføre misfarvning, deformering eller revner.

For at opretholde produktets SIKKERHED og PÅLIDELIGHED må reparation, vedligeholdelse eller justering kun udføres af et autoriseret Makita servicecenter eller fabrikksservicecenter med anvendelse af Makita reservedele.

EKSTRAUDSTYR

⚠FORSIGTIG: Det følgende tilbehør og ekstraudstyr er anbefalet til brug med Deres Makita maskine, der er beskrevet i denne brugsanvisning. Anvendelse af andet tilbehør eller ekstraudstyr kan udgøre en risiko for personskade. Anvend kun tilbehør og ekstraudstyr til det beskrevne formål.

Hvis De behøver hjælp ved valg af tilbehør eller ønsker yderligere informationer, bedes De kontakte Deres lokale Makita servicecenter.

- Borebits
- Skruerbits
- Top
- Bitstykke
- Skruerbitholder
- Hylster
- Plastbæretasken
- Krog
- Original Makita-akku og oplader

BEMÆRK: Nogle ting på denne liste kan være inkluderet i værktøjspakken som standardtilbehør. Det kan være forskellige fra land til land.

ΠΡΟΔΙΑΓΡΑΦΕΣ

Μοντέλο:		DF332D		DF032D	
Ικανότητες τρυπάνιαματος	Ατσάλι	10 mm			
	Ξύλο	28 mm			
Ικανότητες στερέωσης	Ξυλόβιδα	5,1 mm x 63 mm			
	Κοχλίας	M6			
Ταχύτητα χωρίς φορτίο	Υψηλή (2)	0 - 1.500 min ⁻¹			
	Χαμηλή (1)	0 - 450 min ⁻¹			
Συνολικό μήκος		154 mm		124 mm	
Ονομαστική τάση		D.C. 10,8 V - 12 V max			
Κασέτα μπαταρίας		BL 1015, BL 1016, BL 1020B, BL 1021B	BL 1040B, BL 1041B	BL 1015, BL 1016, BL 1020B, BL 1021B	BL 1040B, BL 1041B
Καθαρό βάρος		1,0 kg	1,2 kg	0,88 kg	1,0 kg

- Λόγω του συνεχιζόμενου προγράμματος έρευνας και ανάπτυξης, οι προδιαγραφές αυτές υπόκεινται σε αλλαγές χωρίς προειδοποίηση.
- Οι προδιαγραφές και η κασέτα μπαταριών μπορεί να διαφέρουν ανάλογα με τη χώρα.
- Βάρος, με κασέτα μπαταριών, σύμφωνα με τη διαδικασία ΕΡΤΑ 01/2003

Προοριζόμενη χρήση

Το εργαλείο προορίζεται για τρυπάνισμα και βίδωμα σε ξύλο, μέταλλο και πλαστικό.

Θορύβος

Το τυπικό Α επίπεδο καταμετρημένου θορύβου καθορίζεται σύμφωνα με το EN60745:

Μοντέλο DF332D

Στάθμη ηχητικής πίεσης (L_{PA}): 72 dB (A)

Αβεβαιότητα (K): 3 dB (A)

Η ένταση θορύβου υπό συνθήκες εργασίας μπορεί να υπερβεί τα 80 dB (A).

Μοντέλο DF032D

Στάθμη ηχητικής πίεσης (L_{PA}): 71 dB (A)

Αβεβαιότητα (K): 3 dB (A)

Η ένταση θορύβου υπό συνθήκες εργασίας μπορεί να υπερβεί τα 80 dB (A).

⚠ ΠΡΟΕΙΔΟΠΟΙΗΣΗ: Να φοράτε ωτοασπίδες.

Κραδασμός

Η ολική τιμή δόνησης (άθροισμα τρι-αξονικού διανύσματος) καθορίζεται σύμφωνα με το EN60745:

Μοντέλο DF332D

Είδος εργασίας: τρυπάνισμα σε μέταλλο

Εκπομπή δόνησης (a_{h,D}): 2,5 m/s² ή λιγότερο

Αβεβαιότητα (K): 1,5 m/s²

Μοντέλο DF032D

Είδος εργασίας: τρυπάνισμα σε μέταλλο

Εκπομπή δόνησης (a_{h,D}): 2,5 m/s² ή λιγότερο

Αβεβαιότητα (K): 1,5 m/s²

ΠΑΡΑΤΗΡΗΣΗ: Η δηλωμένη τιμή εκπομπής κραδασμών έχει μετρηθεί σύμφωνα με την πρότυπη μέθοδο δοκιμής και μπορεί να χρησιμοποιηθεί για τη σύγκριση ενός εργαλείου με άλλο.

ΠΑΡΑΤΗΡΗΣΗ: Η δηλωμένη τιμή εκπομπής κραδασμών μπορεί να χρησιμοποιηθεί και στην προκαταρκτική αξιολόγηση έκθεσης.

⚠ ΠΡΟΕΙΔΟΠΟΙΗΣΗ: Η εκπομπή κραδασμών κατά τη χρήση του ηλεκτρικού εργαλείου σε πραγματικές συνθήκες μπορεί να διαφέρει από τη δηλωμένη τιμή εκπομπής ανάλογα με τον τρόπο χρήσης του εργαλείου.

⚠ ΠΡΟΕΙΔΟΠΟΙΗΣΗ: Φροντίστε να λάβετε τα κατάλληλα μέτρα προστασίας του χειριστή βάσει ενός υπολογισμού της έκθεσης σε πραγματικές συνθήκες χρήσης (λαμβάνοντας υπόψη όλες τις συνιστώσες του κύκλου λειτουργίας όπως τους χρόνους που το εργαλείο είναι εκτός λειτουργίας και όταν βρίσκεται σε αδρανή λειτουργία πέραν του χρόνου ενεργοποίησης).

Δήλωση Συμμόρφωσης ΕΚ

Μόνο για χώρες της Ευρώπης

Η Makita δηλώνει ότι τα ακόλουθα μηχανήματα: Χαρακτηρισμός μηχανήματος: Δραπανοκατάρτιδο μπαταρίας

Αρ. μοντέλου/ Τύπος: DF332D, DF032D

Συμμορφώνονται με τις ακόλουθες Ευρωπαϊκές

Οδηγίες: 2006/42/ΕΚ

Κατασκευάζονται σύμφωνα με τα ακόλουθα πρότυπα ή έγγραφα τυποποίησης: EN60745

Το τεχνικό αρχείο σύμφωνα με την 2006/42/ΕΚ διατίθεται από:

Makita, Jan-Baptist Vinkstraat 2, 3070, Βέλγιο



Yasushi Fukaya

Διευθυντής

Makita, Jan-Baptist Vinkstraat 2, 3070, Βέλγιο

Γενικές προειδοποιήσεις ασφαλείας για το ηλεκτρικό εργαλείο

▲ΠΡΟΕΙΔΟΠΟΙΗΣΗ: Διαβάστε όλες τις προειδοποιήσεις για την ασφάλεια και όλες τις οδηγίες. Η μη τήρηση των προειδοποιήσεων και οδηγιών μπορεί να καταλήξει σε ηλεκτροπληξία, πυρκαγιά ή/και σοβαρό τραυματισμό.

Φυλάξτε όλες τις προειδοποιήσεις και τις οδηγίες για μελλοντική παραπομπή.

Στις προειδοποιήσεις, ο όρος «ηλεκτρικό εργαλείο» αναφέρεται σε ηλεκτρικό εργαλείο που τροφοδοτείται από την κύρια παροχή ηλεκτρικού ρεύματος (με ηλεκτρικό καλώδιο) ή σε ηλεκτρικό εργαλείο που τροφοδοτείται από μπαταρία (χωρίς ηλεκτρικό καλώδιο).

Προειδοποιήσεις ασφαλείας για το δραπανοκατσάβιδο μπαταρίας

1. Να χρησιμοποιείτε τις βοηθητικές λαβές, εάν παρέχονται με το εργαλείο. Η απώλεια του ελέγχου μπορεί να προκαλέσει προσωπικό τραυματισμό.
2. Να κρατάτε το ηλεκτρικό εργαλείο από τις μονωμένες επιφάνειες λαβής όταν εκτελείτε εργασίες κατά τις οποίες το εξάρτημα κοπής μπορεί να έρθει σε επαφή με κρυμμένα καλώδια. Σε περίπτωση επαφής του εξαρτήματος κοπής με ηλεκτροφόρο καλώδιο, μπορεί να εκτεθειμένα μεταλλικά εξαρτήματα του ηλεκτρικού εργαλείου να καταστούν τα ίδια ηλεκτροφόρα και να προκαλέσουν ηλεκτροπληξία στο χειριστή.
3. Να κρατάτε το ηλεκτρικό εργαλείο από τις λαβές με μόνωση όταν εκτελείτε εργασίες κατά τις οποίες ο σύνδεσμος μπορεί να έρθει σε επαφή με κρυμμένα καλώδια. Αν ο σύνδεσμος έρθει σε επαφή με κάποιο ηλεκτροφόρο καλώδιο, μπορεί να εκτεθειμένα μεταλλικά μέρη του ηλεκτρικού εργαλείου να γίνουν κι αυτά ηλεκτροφόρα και να προκληθεί ηλεκτροπληξία στο χειριστή.
4. Να βεβαιώνετε πάντοτε ότι στέκεστε σταθερά. Όταν χρησιμοποιείτε το εργαλείο σε υψηλές τοποθεσίες, να βεβαιώνετε ότι δεν βρίσκεται κανένας από κάτω.
5. Κρατήστε το εργαλείο σταθερά.
6. Μην πλησιάζετε τα χέρια σας σε περιστρεφόμενα μέρη.
7. Μην αφήνετε το εργαλείο σε λειτουργία. Το εργαλείο πρέπει να βρίσκεται σε λειτουργία μόνο όταν το κρατάτε.
8. Μην αγγίζετε τη μύτη τρυπανιού ή το τεμάχιο εργασίας αμέσως μετά τη λειτουργία του εργαλείου. Μπορεί να είναι εξαιρετικά θερμά και να προκληθεί έγκαυμα στο δέρμα σας.

9. Μερικά υλικά περιέχουν χημικά που μπορεί να είναι τοξικά. Προσέχετε ώστε να αποφεύγετε την εισπνοή σκόνης και την επαφή με το δέρμα. Ακολουθείτε τα δεδομένα ασφαλείας υλικού που παρέχονται από τον προμηθευτή.
10. Αν η μύτη τρυπανιού δεν μπορεί να χαλαρώσει ακόμη κι αν ανοίξετε τις σιαγόνες, χρησιμοποιήστε τανάλια για να την τραβήξετε. Σε αυτή την περίπτωση, αν τραβήξετε τη μύτη τρυπανιού με το χέρι σας, μπορεί να έχει ως αποτέλεσμα τραυματισμό από το κοφτερό άκρο της.

ΦΥΛΑΞΤΕ ΤΙΣ ΟΔΗΓΙΕΣ ΑΥΤΕΣ.

▲ΠΡΟΕΙΔΟΠΟΙΗΣΗ: ΜΗΝ επιτρέψετε το βαθμό άνεσης ή εξοικείωσης με το προϊόν (λόγω επανειλημμένης χρήσης) να αντικαταστήσει την αυστηρή τήρηση των κανόνων ασφαλείας του παρόντος εργαλείου. Η ΛΑΝΘΑΣΜΕΝΗ ΧΡΗΣΗ ή η αμέλεια να ακολουθήσετε τους κανόνες ασφαλείας που διατυπώνονται στο παρόν εγχειρίδιο οδηγιών μπορεί να προκαλέσει σοβαρό προσωπικό τραυματισμό.

Σημαντικές οδηγίες ασφαλείας για κασέτα μπαταριών

1. Πριν χρησιμοποιήσετε την κασέτα μπαταριών, διαβάστε όλες τις οδηγίες και σημειώσεις προφύλαξης (1) στον φορηστή μπαταριών, (2) στην μπαταρία και (3) στο προϊόν που χρησιμοποιεί την μπαταρία.
2. Μην αποσυαρμολογήσετε την κασέτα μπαταριών.
3. Εάν ο χρόνος λειτουργίας έχει γίνει υπερβολικά βραχύς, σταματήστε τη λειτουργία αμέσως. Αλλιώς, μπορεί να έχει ως αποτέλεσμα κίνδυνο υπερθέρμανσης, πιθανά εγκαύματα ή ακόμη και έκρηξη.
4. Εάν ηλεκτρολύτης μπει στα μάτια σας, ξεπλύνετε τα με καθαρό νερό και ζητήστε ιατρική φροντίδα αμέσως. Αλλιώς, μπορεί να έχει ως αποτέλεσμα απώλεια της όρασης σας.
5. Μην βραχυκυκλώνετε την κασέτα μπαταριών:
 - (1) Μην αγγίζετε τους πόλους με οτιδήποτε αγώγιμο υλικό.
 - (2) Αποφεύγετε να αποθηκεύετε την κασέτα μπαταριών μέσα σε ένα δοχείο μαζί με άλλα μεταλλικά αντικείμενα όπως καρφιά, νομίσματα, κλπ.
 - (3) Μην εκθέτετε την κασέτα μπαταριών στο νερό ή στη βροχή.
 Ένα βραχυκύκλωμα μπαταρίας μπορεί να προκαλέσει μεγάλη ροή ρεύματος, υπερθέρμανση, πιθανά εγκαύματα ακόμη και σοβαρή βλάβη.
6. Μην αποθηκεύετε το εργαλείο και την κασέτα μπαταριών σε τοποθεσίες όπου η θερμοκρασία μπορεί να φτάσει ή να ξεπεράσει τους 50°C.
7. Μην καίτε την κασέτα μπαταριών ακόμη και εάν έχει σοβαρή ζημιά ή είναι εντελώς φθαρμένη. Η κασέτα μπαταριών μπορεί να εκραγεί στη φωτιά.

8. Προσέχετε να μη ρίξετε κάτω ούτε να χτυπήσετε την μπαταρία.
9. Μη χρησιμοποιείτε μπαταρία που έχει υποστεί ζημία.
10. Οι μπαταρίες ιόντων λιθίου που περιέχονται υπόκεινται στις απαιτήσεις της νομοθεσίας για επικίνδυνα αγαθά.
Για εμπορικές μεταφορές, για παράδειγμα από τρίτα μέρη, πρέπει να τηρούνται οι διαμεταφορές, οι ειδικές απαιτήσεις στη συσκευασία και η επισήμανση.
Για προετοιμασία του στοιχείου που αποστέλλεται, είναι απαραίτητο να συμβουλευτείτε έναν ειδικό για επικίνδυνα υλικά. Επίσης, τηρήστε τους πιθανούς, πιο αναλυτικούς εθνικούς κανονισμούς. Καλύψτε με αυτοκόλλητη ταινία ή κρύψτε τις ανοικτές επαφές και συσκευάστε την μπαταρία με τρόπο που να μην μπορεί να μετακινείται μέσα στη συσκευασία.
11. Τηρήστε τους τοπικούς κανονισμούς που σχετίζονται με τη διάθεση της μπαταρίας.
12. Χρησιμοποιήστε τις μπαταρίες μόνο με τα προϊόντα που καθορίζει η Makita. Αν τοποθετήσετε τις μπαταρίες σε μη συμβατά προϊόντα μπορεί να έχει ως αποτέλεσμα πυρκαγιά, υπερβολική θερμότητα, έκρηξη ή διαρροή ηλεκτρολύτη.

ΦΥΛΑΞΤΕ ΤΙΣ ΟΔΗΓΙΕΣ ΑΥΤΕΣ.

▲ΠΡΟΣΟΧΗ: Να χρησιμοποιείτε μόνο γνήσιες μπαταρίες της Makita. Η χρήση μη γνήσιων μπαταριών Makita, ή μπαταριών που έχουν τροποποιηθεί, μπορεί να έχει ως αποτέλεσμα τη ρήξη της μπαταρίας, προκαλώντας πυρκαγιά, προσωπικό τραυματισμό και βλάβη. Επίσης, θα ακυρωθεί η εγγύηση της Makita για το εργαλείο και φορτιστή Makita.

Συμβουλές για τη διατήρηση της μέγιστης ζωής μπαταρίας

1. Φορτίζετε την κασέτα μπαταριών πριν από την πλήρη αποφόρτιση της. Πάντοτε να σταματάτε τη λειτουργία του εργαλείου και να φορτίζετε την κασέτα μπαταριών όταν παρατηρήτε μειωμένη ισχύ εργαλείου.
2. Ποτέ μην επαναφορτίζετε μια πλήρως φορτισμένη κασέτα μπαταριών. Η υπερφόρτιση μειώνει την ωφέλιμη ζωή της μπαταρίας.
3. Να φορτίζετε την κασέτα μπαταριών σε θερμοκρασία δωματίου, δηλαδή στους 10°C έως 40°C. Αφήστε μια θερμή κασέτα μπαταριών να κρυώσει πριν την φορτίσετε.

ΠΕΡΙΓΡΑΦΗ ΛΕΙΤΟΥΡΓΙΑΣ

▲ΠΡΟΣΟΧΗ: Να φροντίζετε πάντα για την απενεργοποίηση του εργαλείου και την αφαίρεση της κασέτας μπαταρίας, πριν από οποιαδήποτε ρύθμιση ή έλεγχο της λειτουργίας του.

Τοποθέτηση ή αφαίρεση της κασέτας μπαταριών

▲ΠΡΟΣΟΧΗ: Να σβήνετε πάντα το εργαλείο πριν τοποθετήσετε ή αφαιρέσετε την κασέτα μπαταριών.

▲ΠΡΟΣΟΧΗ: Κρατήστε το εργαλείο και την κασέτα μπαταριών σταθερά κατά την τοποθέτηση ή αφαίρεση της κασέτας μπαταριών. Εάν δεν κρατάτε το εργαλείο και την κασέτα μπαταριών σταθερά μπορεί να γλιστρήσουν από τα χέρια σας και να προκληθεί βλάβη στο εργαλείο και την κασέτα μπαταριών και προσωπικός τραυματισμός.

► **Εικ. 1:** 1. Κόκκινη ένδειξη 2. Κουμπί 3. Κασέτα μπαταριών

Για να αφαιρέσετε την κασέτα μπαταριών, ολισθήστε την από το εργαλείο ενώ σύρετε το κουμπί στο μπροστινό μέρος της κασέτας.

Για να τοποθετήσετε την κασέτα μπαταριών, ευθυγραμμίστε τη γλώσσα στην κασέτα μπαταριών με την αύλακα στην υποδοχή και ολισθήστε τη στη θέση της. Να την τοποθετείτε πλήρως μέχρι να ασφαλίσει στη θέση της, γεγονός που υποδεικνύεται με ένα χαρακτηριστικό ήχο. Εάν μπορείτε να δείτε την κόκκινη ένδειξη στην επάνω πλευρά του κουμπιού, δεν έχει κλειδώσει τελείως.

▲ΠΡΟΣΟΧΗ: Να τοποθετείτε πάντα την κασέτα μπαταριών πλήρως μέχρι να μη βλέπετε την κόκκινη ένδειξη. Εάν δεν ασφαλίσει, μπορεί να πέσει από το εργαλείο τυχαία, προκαλώντας σωματική βλάβη σε εσάς ή κάποιον άλλο γύρω σας.

▲ΠΡΟΣΟΧΗ: Μην τοποθετείτε την κασέτα μπαταριών με βία. Εάν η κασέτα δεν ολισθαίνει με ευκολία, τότε δεν έχει τοποθετηθεί κατάλληλα.

Σύστημα προστασίας μπαταρίας

Το εργαλείο είναι εξοπλισμένο με σύστημα προστασίας της μπαταρίας. Αυτό το σύστημα αποκόπτει αυτόματα την ισχύ προς το μοτέρ για να παραταθεί η διάρκεια ζωής της μπαταρίας. Το εργαλείο σταματάει αυτόματα κατά τη διάρκεια της λειτουργίας αν το εργαλείο ή/και η μπαταρία βρεθούν κάτω από τις παρακάτω συνθήκες:

Υπερφόρτωση:

Το εργαλείο λειτουργεί με τρόπο ώστε να αναγκάζεται να καταναλώνει ασυνήθιστα υψηλό ρεύμα. Σε αυτή την κατάσταση, σβήστε το εργαλείο και διακόψτε την εφαρμογή που προκαλεί την υπερφόρτωση του εργαλείου. Μετά, ενεργοποιήστε το εργαλείο για επανεκκίνηση. Αν το εργαλείο δεν ξεκινάει, η μπαταρία έχει υπερθερμανθεί. Σε αυτή την κατάσταση, αφήστε την μπαταρία να κρυώσει πριν ενεργοποιήσετε ξανά το εργαλείο.

Χαμηλή τάση μπαταρίας:

Η υπόλοιπη χωρητικότητα μπαταρίας είναι πολύ χαμηλή και το εργαλείο δεν λειτουργεί. Αν ενεργοποιήσετε το εργαλείο, το μοτέρ θα τεθεί ξανά σε λειτουργία αλλά θα σταματήσει σύντομα. Σε αυτή την περίπτωση, αφαιρέστε και επαναφορτίστε την μπαταρία.

Εμφάνιση υπολειπόμενης χωρητικότητας μπαταρίας

Μόνο για κασέτες μπαταρίας με την ενδεικτική λυχνία

► **Εικ.2:** 1. Ενδεικτικές λυχνίες 2. Κουμπί ελέγχου

Πιέστε το κουμπί ελέγχου στην κασέτα μπαταριών για να υποδείξετε την υπολειπόμενη χωρητικότητα μπαταρίας. Οι ενδεικτικές λυχνίες ανάβουν για λίγα δευτερόλεπτα.

Ενδεικτικές λυχνίες		Υπόλοιπη χωρητικότητα
Αναμμένες	Σβηστές	
		75% έως 100%
		50% έως 75%
		25% έως 50%
		0% έως 25%

ΠΑΡΑΤΗΡΗΣΗ: Ανάλογα με τις συνθήκες χρήσης και τη θερμοκρασία περιβάλλοντος, η ένδειξη μπορεί να διαφέρει λίγο από την πραγματική χωρητικότητα.

Δράση διακόπτη

► **Εικ.3:** 1. Σκανδάλη διακόπτη

ΠΡΟΣΟΧΗ: Πριν βάλετε την κασέτα μπαταρίας μέσα στο εργαλείο, να ελέγχετε πάντα να δείτε αν η σκανδάλη διακόπτης ενεργοποιείται κανονικά και επιστρέφει στη θέση «OFF» όταν ελευθερώνεται.

Για να ξεκινήσετε το εργαλείο, απλώς τραβήξτε την σκανδάλη διακόπτη. Η ταχύτητα του εργαλείου αυξάνει αν αυξήσετε την πίεση στη σκανδάλη διακόπτη. Ελευθερώστε τη σκανδάλη διακόπτη για να σταματήσει.

ΠΑΡΑΤΗΡΗΣΗ: Το εργαλείο σταματά αυτόματα αν συνεχίσετε να τραβάτε τη σκανδάλη διακόπτη για περίπου 6 λεπτά.

Άναμμα της μπροστινής λάμπας

► **Εικ.4:** 1. Λάμπα

ΠΡΟΣΟΧΗ: Μην κοιτάζετε κατευθείαν μέσα στο φως ή στην πηγή φωτός.

Τραβήξτε τη σκανδάλη διακόπτη για να ενεργοποιήσετε τη λάμπα. Η λάμπα εξακολουθεί να είναι αναμμένη όσο τραβάτε τη σκανδάλη διακόπτη. Η λάμπα σβήνει περίπου 10 δευτερόλεπτα αφού αφήσετε τη σκανδάλη διακόπτη.

ΠΑΡΑΤΗΡΗΣΗ: Χρησιμοποιήστε ένα στεγνό πανί για να σκουπίσετε τη σκόνη από το φακό της λάμπας. Προσέχετε να μη γρατζουνίσετε το φακό της λάμπας, επειδή μπορεί να μειωθεί η ένταση του φωτισμού.

ΠΑΡΑΤΗΡΗΣΗ: Όταν το εργαλείο υπερθερμανθεί, το φωτάκι αναβοσβήνει για ένα λεπτό και, στη συνέχεια, σβήνει η οθόνη LED. Σε αυτή την περίπτωση, αφήστε το εργαλείο να κρυώσει πριν το θέσετε ξανά σε λειτουργία.

Δράση διακόπτη αντιστροφής

► **Εικ.5:** 1. Μοχλός διακόπτης αντιστροφής

ΠΡΟΣΟΧΗ: Να ελέγχετε πάντα τη διεύθυνση περιστροφής πριν από τη λειτουργία.

ΠΡΟΣΟΧΗ: Να χρησιμοποιείτε τον διακόπτη αντιστροφής μόνο αφού το εργαλείο σταματήσει εντελώς. Η αλλαγή της διεύθυνσης περιστροφής πριν σταματήσει το εργαλείο μπορεί να προκαλέσει ζημιά στο εργαλείο.

ΠΡΟΣΟΧΗ: Όταν δεν χρησιμοποιείτε το εργαλείο, να βάτε πάντα το μοχλό διακόπτη αντιστροφής στην ουδέτερη θέση.

Αυτό το εργαλείο διαθέτει έναν διακόπτη αντιστροφής για να αλλάξετε τη διεύθυνση περιστροφής. Πιέστε το μοχλό διακόπτη αντιστροφής από την πλευρά Α για δεξιόστροφη περιστροφή ή από την πλευρά Β για αριστερόστροφη περιστροφή.

Όταν ο μοχλός διακόπτης αντιστροφής είναι στην ουδέτερη θέση, η σκανδάλη διακόπτης δεν μπορεί να τραβηχθεί.

Αλλαγή ταχύτητας

► **Εικ.6:** 1. Μοχλός αλλαγής ταχύτητας

ΠΡΟΣΟΧΗ: Να ρυθμίζετε πάντα το μοχλό αλλαγής ταχύτητας πλήρως στη σωστή θέση. Αν χειρίζετε το εργαλείο όταν ο μοχλός αλλαγής ταχύτητας βρίσκεται ανάμεσα από την πλευρά «1» και την πλευρά «2», μπορεί να προκληθεί ζημιά στο εργαλείο.

ΠΡΟΣΟΧΗ: Μη χρησιμοποιείτε το μοχλό αλλαγής ταχύτητας όταν λειτουργεί το εργαλείο. Μπορεί να προκληθεί ζημιά στο εργαλείο.

Θέση του μοχλού αλλαγής ταχύτητας	Ταχύτητα	Ροπή	Ισχύουσα λειτουργία
1	Χαμηλή	Υψηλή	Λειτουργία μεγάλου φορτίου
2	Υψηλή	Χαμηλή	Λειτουργία μικρού φορτίου

Για να αλλάξετε την ταχύτητα, πρώτα απενεργοποιήστε το εργαλείο. Επιλέξτε την πλευρά «2» για υψηλή ταχύτητα και την πλευρά «1» για χαμηλή ταχύτητα αλλά υψηλή ροπή. Πριν από τη λειτουργία, βεβαιωθείτε ότι ο μοχλός αλλαγής ταχύτητας είναι ρυθμισμένος στη σωστή θέση. Αν η ταχύτητα εργαλείου είναι πολύ υψηλή κατά τη λειτουργία στην πλευρά «2», ολισθήστε το μοχλό στην πλευρά «1» και αρχίστε ξανά τη λειτουργία.

Ρύθμιση της ροπής στερέωσης

- **Εικ.7:** 1. Ρυθμιστικός δακτύλιος 2. Διαβαθμίσεις 3. Βέλος

Η ροπή στερέωσης μπορεί να ρυθμιστεί σε 21 επίπεδα με την περιστροφή του ρυθμιστικού δακτυλίου. Ευθυγραμμίστε τις διαβαθμίσεις με το βέλος στο κύριο σώμα του εργαλείου. Θα έχετε την ελάχιστη ροπή στερέωσης στο 1 και τη μέγιστη ροπή στην ένδειξη 21.

Ο σφιγκτήρας θα ολισθαίνει σε διάφορα επίπεδα ροπής όταν τον ρυθμίζετε σε αριθμό από 1 έως 20. Ο σφιγκτήρας δεν λειτουργεί στην ένδειξη 21.

Πριν από τη λειτουργία, να βιδώνετε μια δοκιμαστική βίδα στο υλικό σας ή σε ένα κομμάτι πανομοιότυπου υλικού για να καθορίζετε το επίπεδο ροπής που απαιτείται για τη συγκεκριμένη εφαρμογή.

Ακολουθεί ένας πρόχειρος οδηγός της σχέσης μεταξύ του μεγέθους βίδας και της διαβάθμισης.

Διαβαθμίσεις		1	2	3	4	5	6	7	8	9	10	11	12	13	14	15	16	17	18	19	20
Κοχλίας		M4				M5								M6							
Ξυλόβίδα	Μαλακό ξύλο (π.χ. πεύκο)	-				φ3,5 x 22				φ4,1 x 38				-							
	Σκληρό ξύλο (π.χ. μαόνι)	-				φ3,5 x 22				φ4,1 x 38				-							

ΣΥΝΑΡΜΟΛΟΓΗΣΗ

ΠΡΟΣΟΧΗ: Να βεβαιώνετε πάντα ότι το εργαλείο είναι σβηστό και η κασέτα μπαταρίας έχει αφαιρεθεί πριν εκτελέσετε κάποια εργασία στο εργαλείο.

Τοποθέτηση ή αφαίρεση της μύτης δραπενοκατσάβιδου/μύτης τρυπανιού

Για το μοντέλο DF332D (προαιρετικά αξεσουάρ)

- **Εικ.8:** 1. Τσοκ 2. Κλείσιμο 3. Άνοιγμα

Στρέψτε το τσοκ αριστερόστροφα για να ανοίξετε τις σιαγόνες σφιγκτήρα. Τοποθετήστε τη μύτη δραπενοκατσάβιδου/μύτη τρυπανιού μέσα στο σφιγκτήρα μέχρι τέρμα. Στρέψτε το τσοκ δεξιόστροφα για να σφίξετε το σφιγκτήρα. Για να βγάλετε τη μύτη δραπενοκατσάβιδου/μύτη τρυπανιού, στρέψτε το τσοκ αριστερόστροφα.

Τοποθέτηση ή αφαίρεση της μύτης βιδώματος/προέκτασης μύτης

Για το μοντέλο DF032D (προαιρετικά αξεσουάρ)

- **Εικ.9**

Να χρησιμοποιείτε μόνο μύτες βιδώματος/προεκτάσεις μυτών που έχουν το τμήμα εισαγωγής που υποδεικνύεται στην εικόνα. Μη χρησιμοποιείτε οποιαδήποτε άλλη μύτη βιδώματος/προέκταση μύτης.

Για εργαλείο με ρηχή οπή μύτης βιδώματος

A=12 mm B=9 mm	Να χρησιμοποιείτε μύτες βιδώματος αυτού του τύπου μόνο. Ακολουθήστε τη διαδικασία 1. (Σημείωση) Δεν απαιτείται τεμάχιο μύτης.
-------------------	---

Για εργαλείο με βαθιά οπή μύτης βιδώματος

A=17 mm B=14 mm	Για την τοποθέτηση μυτών βιδώματος αυτού του τύπου, ακολουθήστε τη διαδικασία 1.
A=12 mm B=9 mm	Για την τοποθέτηση μυτών βιδώματος αυτού του τύπου, ακολουθήστε τη διαδικασία 2. (Σημείωση) Απαιτείται τεμάχιο μύτης για την τοποθέτηση της μύτης.

- Για να τοποθετήσετε τη μύτη βιδώματος, τραβήξτε το τσοκ προς την κατεύθυνση του βέλους και εισαγάγετε τη μύτη βιδώματος στο τσοκ μέχρι τέρμα. Κατόπιν, αφήστε το τσοκ για να ασφαλίσετε τη μύτη βιδώματος.

- **Εικ.10:** 1. Μύτη βιδώματος 2. Τσοκ

- Για να τοποθετήσετε τη μύτη βιδώματος, τραβήξτε το τσοκ προς την κατεύθυνση του βέλους και εισαγάγετε το τεμάχιο μύτης και τη μύτη βιδώματος στο τσοκ μέχρι τέρμα. Το τεμάχιο μύτης πρέπει να εισαχθεί στο τσοκ με το μυτερό άκρο στραμμένο προς τα μέσα. Κατόπιν, αφήστε το τσοκ για να ασφαλίσετε τη μύτη βιδώματος.

- **Εικ.11:** 1. Μύτη βιδώματος 2. Τεμάχιο μύτης 3. Τσοκ

Για να βγάλετε τη μύτη βιδώματος, τραβήξτε το τσοκ προς την κατεύθυνση του βέλους και τραβήξτε τη μύτη βιδώματος προς τα έξω.

ΠΑΡΑΤΗΡΗΣΗ: Αν η μύτη βιδώματος δεν έχει εισαχθεί αρκετά βαθιά μέσα στο τσοκ, το τσοκ δεν θα επιστρέψει στην αρχική του θέση και η μύτη βιδώματος δεν θα ασφαλιστεί. Στην περίπτωση αυτή, προσπαθήστε να εισαγάγετε ξανά την μύτη σύμφωνα με τις παραπάνω οδηγίες.

ΠΑΡΑΤΗΡΗΣΗ: Αφού τοποθετήσετε τη μύτη βιδώματος, βεβαιωθείτε ότι είναι καλά ασφαλισμένη. Αν όμως βγει έξω, μην τη χρησιμοποιήσετε.

Τοποθέτηση γάντζου

► **Εικ.12:** 1. Αυλάκωση 2. Γάντζος 3. Βίδα

Ο γάντζος είναι βολικός για προσωρινό κρέμασμα του εργαλείου. Μπορεί να τοποθετηθεί σε οποιαδήποτε πλευρά του εργαλείου. Για να τοποθετήσετε το γάντζο, βάλτε τον σε μια αυλάκωση στο περίβλημα του εργαλείου σε οποιαδήποτε πλευρά και μετά ασφαλίστε τον με μια βίδα. Για να τον αφαιρέσετε, χαλαρώστε τη βίδα και μετά αφαιρέστε τον.

Τοποθέτηση της θήκης μυτών δραπενοκατσάβιδου

Προαιρετικό αξεσουάρ

► **Εικ.13:** 1. Θήκη μυτών δραπενοκατσάβιδου
2. Μύτη δραπενοκατσάβιδου

Προσαρμόστε τη θήκη μυτών δραπενοκατσάβιδου μέσα στην προεξοχή στο κάτω μέρος του εργαλείου, στη δεξιά ή στην αριστερή πλευρά και ασφαλίστε τη με μια βίδα.

Όταν δεν χρησιμοποιείτε τη μύτη δραπενοκατσάβιδου, να τη φυλάσσετε στις θήκες μυτών δραπενοκατσάβιδου. Μπορείτε να φυλάσσετε εκεί μύτες δραπενοκατσάβιδου με μήκος 45 mm.

ΛΕΙΤΟΥΡΓΙΑ

▲ ΠΡΟΣΟΧΗ: Πάντα να εισαγάγετε την κασέτα μπαταριών έως το τέρμα, μέχρι να ασφαλίσει τη θέση της. Αν μπορείτε να δείτε την κόκκινη ένδειξη στην επάνω πλευρά του κουμπιού, δεν έχει κλειδώσει τελείως. Εισαγάγετέ την πλήρως έτσι ώστε να μην φαίνεται η κόκκινη ένδειξη. Σε αντίθετη περίπτωση, μπορεί να πέσει κατά λάθος από το εργαλείο και να τραυματίσει εσάς ή κάποιον παρευρισκόμενο.

▲ ΠΡΟΣΟΧΗ: Όταν το εργαλείο λειτουργεί πολύ δυνατά, μειώστε το φορτίο ή σταματήστε τη λειτουργία του εργαλείου για να αποφύγετε την πρόκληση ζημιάς στο εργαλείο.

Κρατήστε το εργαλείο σταθερά με το ένα χέρι στη λαβή και το άλλο χέρι στο κάτω μέρος της κασέτας μπαταριών για να ελέγχετε την περιστροφική δράση.

► **Εικ.14**

Λειτουργία δραπενοκατσάβιδου


▲ ΠΡΟΣΟΧΗ: Θέστε το ρυθμιστικό δακτύλιο στο σωστό επίπεδο ροπής για την εργασία σας.

▲ ΠΡΟΣΟΧΗ: Βεβαιωθείτε ότι τοποθετήσατε τη μύτη δραπενοκατσάβιδου απευθείας στην κεφαλή της βίδας. Διαφορετικά, μπορεί να προκληθεί ζημιά στη βίδα ή/και στη μύτη δραπενοκατσάβιδου.

Τοποθετήστε το άκρο της μύτης δραπενοκατσάβιδου στην κεφαλή της βίδας και ασκήστε πίεση στο εργαλείο. Ξεκινήστε αργά το εργαλείο και κατόπιν αυξήστε σταδιακά την ταχύτητα. Αφήστε τη σκανδάλη διακόπτη μόλις ολισθήσει ο σφιγκτήρας.

ΠΑΡΑΤΗΡΗΣΗ: Κατά το τρυπάνισμα ξυλόβιδας, τρυπανίστε από πριν μια καθοδηγητική οπή ίση με το 2/3 της διαμέτρου της βίδας. Με αυτόν τον τρόπο διευκολύνεται το βίδωμα και αποφεύγεται η διάσπαση του τεμαχίου εργασίας.

Λειτουργία τρυπανιού

Πρώτα, γυρίστε το ρυθμιστικό δακτύλιο ώστε το βέλος να είναι στραμμένο στην ένδειξη . Κατόπιν, συνεχίστε όπως περιγράφεται στη συνέχεια.

Τρυπάνισμα ξύλου

Όταν τρυπανίζετε σε ξύλο, έχετε καλύτερα αποτελέσματα με μύτες για ξύλο εξοπλισμένες με βίδα οδήγησης. Η βίδα οδήγησης κάνει το τρυπάνισμα ευκολότερο επειδή τριβάει τη μύτη τρυπανιού μέσα στο τεμάχιο εργασίας.

Τρυπάνισμα σε μέταλλο

Για να μην ολισθήσει μια μύτη τρυπανιού όταν ξεκινάτε τη δημιουργία μιας οπής, κάντε ένα κοίλωμα με πόντα και σφυρί στο σημείο όπου θα τρυπανίσετε. Τοποθετήστε τη μύτη τρυπανιού στο κοίλωμα και ξεκινήστε το τρυπάνισμα.

Όταν τρυπανίζετε μέταλλα, χρησιμοποιήστε λιπαντικό κοπής. Εξάρτηση αποτελούν το σίδερο και ο χάλυβας τα οποία θα πρέπει να τρυπανίζετε στεγνά.

▲ ΠΡΟΣΟΧΗ: Η υπερβολική πίεση στο εργαλείο δεν επιταχύνει τη διάτρηση. Στην πραγματικότητα, αυτή η υπερβολική πίεση προκαλεί ζημιά στο άκρο της μύτης τρυπανιού, μείωση της απόδοσης όπως και της διάρκειας ζωής του εργαλείου.

▲ ΠΡΟΣΟΧΗ: Κρατήστε σταθερά το εργαλείο και προσέχετε ιδιαίτερα τη στιγμή που η μύτη τρυπανιού διέρχεται από το άλλο άκρο της οπής. Ασκήται τεράστια δύναμη στο εργαλείο/μύτη τρυπανιού τη στιγμή που διαπερνάει η οπή.


▲ ΠΡΟΣΟΧΗ: Μπορείτε να αφαιρέσετε μια μπλοκαρισμένη μύτη τρυπανιού με απλή ρύθμιση του διακόπτη αντιστροφής στη θέση αντίστροφης περιστροφής, ώστε η μύτη να οπισθοχωρήσει. Ωστόσο, το εργαλείο μπορεί να οπισθοχωρήσει έξω από την οπή απότομα, αν δεν το κρατάτε σταθερά.

▲ ΠΡΟΣΟΧΗ: Να ασφαρίζετε πάντα τα τεμάχια εργασίας σε μέγερνη ή παρόμοια διάταξη συγκράτησης.

▲ ΠΡΟΣΟΧΗ: Αν το εργαλείο λειτουργεί συνεχόμενα έως ότου αποφορτιστεί η κασέτα μπαταριών, αφήστε το εργαλείο σβηστό για 15 λεπτά πριν συνεχίσετε την εργασία με καινούργια μπαταρία.

Χρήση του εργαλείου ως κατασαβιδιού χειρός

► Εικ.15

Απενεργοποιήστε το εργαλείο. Μετακινήστε το μοχλό διακόπτη αντιστροφής στην ουδέτερη θέση. Γυρίστε το ρυθμιστικό δακτύλιο ώστε το βέλος να είναι στραμμένο στην ένδειξη . Περιστρέψτε το εργαλείο.

ΠΑΡΑΤΗΡΗΣΗ: Αυτή η χρήση είναι βολική για τον έλεγχο του βιδώματος.

ΠΑΡΑΤΗΡΗΣΗ: Μη χρησιμοποιήσετε το εργαλείο για εργασίες που απαιτούν υπερβολική δύναμη, όπως το σφίξιμο μπουλονιών ή την αφαίρεση σκουριασμένων βιδών.

Χρήση θήκης

Προαιρετικό αξεσουάρ

⚠ ΠΡΟΣΟΧΗ: Όταν χρησιμοποιείτε τη θήκη, αφαιρέστε τη μύτη βιδώματος/μύτη τρυπανίσματος από το εργαλείο.

⚠ ΠΡΟΣΟΧΗ: Σβήστε το εργαλείο και περιμένετε μέχρι να ακινητοποιηθεί εντελώς πριν το τοποθετήσετε στη θήκη.

Βεβαιωθείτε να κλείσετε καλά τη θήκη με το κουμπί θήκης, για να συγκρατεί το εργαλείο καλά.

1. Περάστε τη ζώνη μέσης ή κάτι παρόμοιο μέσα από την υποδοχή θήκης.

► **Εικ.16:** 1. Υποδοχή θήκης 2. Ζώνη μέσης

2. Τοποθετήστε το εργαλείο στη θήκη και ασφαλίστε το με το κουμπί θήκης.

► **Εικ.17**

► **Εικ.18**

Μπορείτε να διατηρείτε τις δύο μύτες βιδώματος στο μπροστινό μέρος της θήκης.

ΣΥΝΤΗΡΗΣΗ

⚠ ΠΡΟΣΟΧΗ: Πριν την εκτέλεση εργασιών επιθεώρησης ή συντήρησης, πάντοτε να βεβαιώνετε ότι η συσκευή απενεργοποιήθηκε και η κασέτα μπαταριών έχει αφαιρεθεί.

ΕΙΔΟΠΟΙΗΣΗ: Μη χρησιμοποιείτε ποτέ βενζίνη, πετρελαϊκό αιθέρα, διαλυτικό, αλκοόλη ή παρόμοιες ουσίες. Μπορεί να προκληθεί αποχρωματισμός, παραμόρφωση ή ρωγμές.

Για τη διατήρηση της ΑΣΦΑΛΕΙΑΣ και ΑΞΙΟΠΙΣΤΙΑΣ του προϊόντος, οι επισκευές και οποιαδήποτε άλλη εργασία συντήρησης ή ρύθμισης πρέπει να εκτελούνται από εξουσιοδοτημένα ή εργοστασιακά κέντρα εξυπηρέτησης της Makita, χρησιμοποιώντας πάντοτε ανταλλακτικά της Makita.

ΠΡΟΑΙΡΕΤΙΚΑ ΕΞΑΡΤΗΜΑΤΑ

⚠ ΠΡΟΣΟΧΗ: Αυτά τα εξαρτήματα ή προσαρτήματα συνιστώνται για χρήση με το εργαλείο Makita που περιγράφηκε στις οδηγίες αυτές. Η χρήση οποιωνδήποτε άλλων εξαρτημάτων ή προσαρτημάτων μπορεί να προκαλέσει κίνδυνο τραυματισμού σε άτομα. Να χρησιμοποιείτε τα εξαρτήματα ή προσαρτήματα μόνο για την χρήση που προορίζονται.

Εάν χρειάζεστε οποιαδήποτε βοήθεια για περισσότερες πληροφορίες σε σχέση με αυτά τα εξαρτήματα, απευθυνθείτε στο τοπικό σας κέντρο εξυπηρέτησης Makita.

- Μύτες τρυπανιού
- Μύτες βιδώματος
- Προεκτάσεις μυτών
- Τεμάχιο μύτης
- Θήκη μυτών δραπενοκατασάβιδου
- Θήκη
- Πλαστική θήκη μεταφοράς
- Γάντζος
- Γνήσια μπαταρία και φορτιστής της Makita

ΠΑΡΑΤΗΡΗΣΗ: Μερικά στοιχεία στη λίστα μπορεί να συμπεριλαμβάνονται στη συσκευασία εργαλείου ως στάνταρ εξαρτήματα. Μπορεί να διαφέρουν ανάλογα με τη χώρα.

TEKNİK ÖZELLİKLER

Model:		DF332D	DF032D	
Delme kapasiteleri	Çelik	10 mm		
	Tahta	28 mm		
Sıkıştırma kapasiteleri	Ahşap vidası	5,1 mm x 63 mm		
	Makine vidası	M6		
Yüksüz hız	Yüksek (2)	0 - 1.500 min ⁻¹		
	Düşük (1)	0 - 450 min ⁻¹		
Toplam uzunluk		154 mm	124 mm	
Anma voltajı		D.C. 10,8 V - 12 V maks		
Batarya kartuşu		BL 1015, BL 1016, BL 1020B, BL 1021B	BL 1040B, BL 1041B	BL 1015, BL 1016, BL 1020B, BL 1021B
Net ağırlık		1,0 kg	1,2 kg	0,88 kg

- Sürekli yapılan araştırma ve geliştirmelerden dolayı, burada belirtilen özellikler önceden bildirilmeksizin değiştirilebilir.
- Özellikler ve batarya kartuşu ülkeden ülkeye değişebilir.
- EPTA-Prosedürü 01/2003 uyarınca batarya kartuşu ile birlikte ağırlık

Kullanım amacı

Bu alet ahşap, metal ve plastik malzemede delme ve vidalama işlemleri için kullanılması amaçlanmıştır.

Gürültü

Tipik A-ağırlıklı gürültü düzeyi (EN60745 standardına göre belirlenen):

Model DF332D

Ses basınç seviyesi (L_{pA}): 72 dB (A)

Belirsizlik (K): 3 dB (A)

İşlem sırasında gürültü seviyesi 80 dB (A)'yi geçebilir.

Model DF032D

Ses basınç seviyesi (L_{pA}): 71 dB (A)

Belirsizlik (K): 3 dB (A)

İşlem sırasında gürültü seviyesi 80 dB (A)'yi geçebilir.

UYARI: Kulak koruyucuları takın.

Titreşim

Titreşim toplam değeri (üç eksenli vektör toplamı) (EN60745 standardına göre hesaplanan):

Model DF332D

Çalışma modu: metal delme

Titreşim emisyonu (a_{hD}): 2,5 m/s² den az

Belirsizlik (K): 1,5 m/s²

Model DF032D

Çalışma modu: metal delme

Titreşim emisyonu (a_{hD}): 2,5 m/s² den az

Belirsizlik (K): 1,5 m/s²

NOT: Beyan edilen titreşim emisyon değeri standart test yöntemine uygun şekilde ölçülmüştür ve bir aleti bir başkasıyla karşılaştırmak için kullanılabilir.

NOT: Beyan edilen titreşim emisyon değeri bir ön maruz kalma değerlendirmesi olarak da kullanılabilir.

UYARI: Bu elektrikli aletin gerçek kullanımı sırasındaki titreşim emisyonu aletin kullanımı biçimlerine bağlı olarak beyan edilen emisyon değerinden farklı olabilir.

UYARI: Gerçek kullanım koşullarındaki maruz kalmanın bir tahmini hesaplaması temelinde operatörü koruyacak güvenlik önlemlerini mutlaka belirleyin (çalışma döngüsü içerisinde aletin kapalı olduğu ve aktif durumda olmasının yanı sıra boşta çalıştığı zamanlar gibi, bütün zaman dilimleri göz önünde bulundurularak değerlendirilmelidir).

EC Uygunluk Beyanı

Sadece Avrupa ülkeleri için

Biz Makita Corporation beyan ederiz ki aşağıdaki makine(ler):

Makine Adı: Akülü Matkap Tornavida

Model No./ Tipi: DF332D, DF032D

aşağıdaki Avrupa Direktiflerine uygundur: 2006/42/EC Aşağıdaki standartlara veya standartlaştırılmış belgelere uygun olarak imal edilmişlerdir: EN60745 2006/42/EC uyumluluğuna ilişkin teknik dosyaya şuradan ulaşılabilir:

Makita, Jan-Baptist Vinkstraat 2, 3070, Belçika
11.6.2015

Yasushi Fukaya

Yasushi Fukaya

Müdür

Makita, Jan-Baptist Vinkstraat 2, 3070, Belçika

Genel elektrikli alet güvenliği uyarıları

UYARI: Tüm güvenlik uyarılarını ve tüm talimatları okuyun. Uyarılara ve talimatlara uyulmaması elektrik şoku, yangın ve/veya ciddi yaralanmalar ile sonuçlanabilir.

Tüm uyarıları ve talimatları ile-ride başvurmak için saklayın.

Uyarılardaki "elektrikli alet" terimi ile ya prizden çalışan (kordonlu) elektrikli aletiniz ya da kendi aküsü ile çalışan (kordonsuz) elektrikli aletiniz kastedilmektedir.

Akülü matkap tornavida ile ilgili güvenlik uyarıları

1. Aletle birlikte sağlanmışsa yardımcı tutamağı/tutamakları kullanın. Kontrol kaybı yaralanmaya neden olabilir.
2. Kesici aksesuarın görünmeyen kabloları temas etme olasılığı bulunan yerlerde çalışırken elektrikli aleti yalıtımlı kavrama yüzeylerinden tutun. Kesici aksesuarın "akımlı" bir telle temas etmesi elektrikli aletin yalıtımsız metal kısımlarını "akımlı" hale getirebilir ve kullanıcıyı elektrik şokuna maruz bırakabilir.
3. Bağlama elemanının görünmeyen kabloları temas etme olasılığı bulunan yerlerde çalışırken elektrikli aleti yalıtımlı kavrama yüzeylerinden tutun. Bağlama elemanlarının "akımlı" bir tele temas etmesi, elektrikli aletin yalıtımsız metal kısımlarını "akımlı" hale getirebilir ve kullanıcıyı elektrik şokuna maruz bırakabilir.
4. Her zaman yere sağlam basın. Aleti yüksekte kullandığınızda, altında kimsenin olmadığını emin olun.
5. Aleti sıkıca tutun.
6. Ellerinizi dönen parçalardan uzak tutun.
7. Aleti çalışır durumda bırakmayın. Aleti sadece elinizde iken çalıştırın.
8. Kullanılan ucu veya iş parçasını işlemden hemen sonra ellemeyin; bunlar çok sıcak olup derinizi yakabilir.
9. Bazı malzemeler zehirli olabilen kimyasallar içerirler. Toz yutmayı ve cilt temasını önlemek için tedbir alın. Malzeme sağlayıcısının güvenli bilgilerine uyun.
10. Matkap ucu, ağızları açmanıza rağmen gevşetilemezse ucu çekerek çıkarmak için pense kullanın. Bu durumda matkap ucunun elle çekilerek çıkarılması keskin ucu nedeniyle yaralanmaya neden olabilir.

BU TALİMATLARI SAKLAYIN.

UYARI: Ürünü kullanırken (defalarca kullanınca kazanılan) rahatlık ve tanıdıklık duygusunun ilgili ürünün güvenlik kurallarına sıkı sıkıya bağlı kalmanın yerine geçmesini İZİN VERMEYİN. YANLIŞ KULLANIM veya bu kullanma kılavuzunda belirtilen emniyet kurallarına uymama ciddi yaralanmaya neden olabilir.

Batarya kartuşu hakkında önemli güvenlik talimatları

1. Batarya kartuşunu kullanmadan önce, tüm talimatları ve (1) batarya kartuşu, (2) batarya ve (3) ürün üzerindeki tüm uyarı işaretlerini okuyun.
2. Batarya kartuşunu demonte etmeyin.
3. Çalışma süresi aşırı derecede kısalmışsa kullanmayı derhal bırakın. Aşırı ısınma, yanma riski hatta patlamaya neden olabilir.
4. Gözünüze elektrolit kaçarsa, gözlerinizi temiz suyla durulayın ve hemen tıbbi yardım alın. Görmeye kaybına yol açabilir.
5. Batarya kartuşuna kısa devre yaptırmayın:
 - (1) Terminallere herhangi bir iletken madde değdirmeyin.
 - (2) Batarya kartuşunu çiviler, madeni paralar, vb. gibi başka metal nesnelere aynı kaba koymaktan kaçının.
 - (3) Batarya kartuşunu yağmura ya da suya maruz bırakmayın.Kısa devre, büyük bir akım akışına, aşırı ısınmaya, olası yangınlara hatta bataryanın bozulmasına yol açabilir.
6. Aleti ve batarya kartuşunu sıcaklığın 50°C ya da daha yükseğe ulaştığı yerlerde saklamayın.
7. Aşırı derecede hasar görmüş ya da tamamen kullanılamaz durumda olsa bile batarya kartuşunu yakmayın. Batarya kartuşu ateşe atılırsa patlayabilir.
8. Bataryayı düşürmemeye ve çarpmamaya dikkat edin.
9. Hasarlı bataryayı kullanmayın.
10. Aletin içerdiği lityum-iyon bataryalar Tehlikeli Eşyalar Yönetmeliğinin gereksinimlerine tabidir. Ticari nakliye işlemleri için, örneğin üçüncü taraf, nakliye acenteleri tarafından yapılan nakliyelerde, paketlenme ve etiketleme gereksinimlerine uyulmalıdır. Nakliyesi yapılacak ürünün hazırlanması için, tehlikeli maddeler konusunda uzman bir kişiye danışın. Lütfen muhtemelen daha ayrıntılı olan ulusal yönetmeliklere de uyun. Açık kontakları bantlayın ya da maskeleyin ve bataryayı paketin içinde hareket etmeyecek şekilde paketleyin.
11. Bataryanın elden çıkarılması ile ilgili yerel düzenlemelere uyunuz.
12. Bataryaları sadece Makita tarafından belirtilen ürünlerle kullanın. Bataryaların uyumsuz ürünlere takılması; yangın, aşırı ısınma, patlama ya da elektrolit sızıntısına neden olabilir.

BU TALİMATLARI MUHAFAZA EDİNİZ.

DİKKAT: Sadece orijinal Makita bataryalarını kullanın. Orijinal olmayan Makita bataryaları ya da üzerine değişiklik yapılmış bataryaların kullanımı bataryanın patlamasına ve sonuç olarak yangın, kişisel yaralanma ve hasara neden olabilir. Ayrıca Makita aleti ve şarj aletinin Makita tarafından sunulan garantisi de geçersiz olur.

Maksimum batarya ömrü için ipuçları

1. Batarya kartuşunu tamamen boşalmadan önce şarj edin. Aletin gücünün zayıflamaya başladığını fark ettiğinizde aleti durdurun ve batarya kartuşunu şarj edin.
2. Tam dolu bir batarya kartuşunu asla yeniden şarj etmeyin. Aşırı şarj etme bataryanın hizmet ömrünü kısaltır.
3. Batarya kartuşunu 10°C - 40°C oda sıcaklığında şarj edin. Sıcak bir batarya kartuşunu şarj etmeden önce soğumasını bekleyin.

İŞLEVSEL NİTELİKLER

⚠️ DİKKAT: Alet üzerinde ayarlama veya işleyiş kontrolü yapmadan önce aletin kapalı ve batarya kartuşunun ayrılmış olduğundan daima emin olun.

Batarya kartuşunun takılması ve çıkarılması

⚠️ DİKKAT: Batarya kartuşunu takmadan ya da çıkarmadan önce aleti daima kapatın.

⚠️ DİKKAT: Batarya kartuşunu takarken veya çıkarırken aleti ve batarya kartuşunu sıkıca tutun. Aletin ve batarya kartuşunun sıkıca tutulmaması bunların düşürülmesine sebep olabilir ve alet ve batarya kartuşunun zarar görmesine ya da ciddi yaralanmasına yol açabilir.

► **Şek.1:** 1. Kırmızı gösterge 2. Düğme 3. Batarya kartuşu

Batarya kartuşunu çıkarmak için, kartuşun ön tarafındaki düğmeyi kaydırarak kartuşu aletten çıkarın.

Batarya kartuşunu takmak için, batarya kartuşu üzerindeki dili yuvanın çentiği ile hizalayın ve yerine oturtun. Hafif bir tık sesi duyulana kadar itip yerine tam oturtmasını sağlayın. Düğmenin üst tarafındaki kırmızı gösterge görünüyorsa tam yerine kilitlenmemiş demektir.

⚠️ DİKKAT: Batarya kartuşunu daima kırmızı gösterge görünmeyecek şekilde tam olarak takın. Yerine tam oturmazsa, aletten yanlışlıkla düşebilir, sizin ya da çevrenizdeki kişilerin yaralanmasına neden olabilir.

⚠️ DİKKAT: Batarya kartuşunu zorlayarak takmayın. Kartuş kolay bir şekilde kaymıyorsa doğru yerleştirilmemiş demektir.

Batarya koruma sistemi

Bu alet bir batarya koruma sistemi ile donatılmıştır. Bu sistem motora giden gücü otomatik olarak keserek uzun batarya ömrü sağlar.

Alet ve/veya batarya için aşağıdaki durumlardan biri söz konusu olduğunda aletin işleyişi otomatik olarak durur:

Aşırı yüklenme:

Alet, anormal derecede yüksek akım çekmesine neden olacak şekilde kullanılmaktadır.

Bu durumda, aleti kapatın ve aletin aşırı yüklenmesine neden olan uygulamayı durdurun. Daha sonra aleti yeniden başlaması için çalıştırın.

Alet çalışmaya başlamazsa, batarya aşırı ısınmış demektir. Bu durumda, aleti yeniden çalıştırmadan önce bataryanın soğumasını bekleyin.

Düşük batarya voltajı:

Kalan batarya kapasitesi çok düşüktür ve alet çalışmaz. Aleti çalıştırırsanız, motor tekrar çalışır fakat kısa zaman sonra durur. Bu durum söz konusuysa, bataryayı çıkarıp şarj edin.

Kalan batarya kapasitesinin gösterilmesi

Sadece göstergeli batarya kartuşları için

► **Şek.2:** 1. Gösterge lambaları 2. Kontrol düğmesi

Kalan batarya kapasitesini göstermesi için batarya kartuşu üzerindeki kontrol düğmesine basın. Gösterge lambaları birkaç saniye yanar.

Gösterge lambaları		Kalan kapasite
Yanıyor	Kapalı	
■ ■ ■ ■	□	%75 ila %100
■ ■ ■ □	□	%50 ila %75
■ ■ □ □	□	%25 ila %50
■ □ □ □	□	%0 ila %25

NOT: Kullanım koşullarına ve ortam sıcaklığına bağlı olarak, gösterilen değer gerçek kapasiteden biraz farklılık gösterebilir.

Anahtar işlemleri

► **Şek.3:** 1. Anahtar tetik

⚠️ DİKKAT: Batarya kartuşunu alete takmadan önce anahtar tetiğin doğru çalıştığından ve bırakıldığında "OFF" (kapalı) konumuna döndüğünden emin olun.

Aleti çalıştırmak için, sadece anahtar tetiği çekin. Aletin çalışma hızı anahtar tetik üstüne daha fazla baskı yapılarak artırılır. Durdurmak için anahtar tetiği serbest bırakın.

NOT: Yaklaşık 6 dakika boyunca anahtar tetiği çekmeye devam ederseniz alet otomatik olarak durur.

Ön lambanın yakılması

► **Şek.4:** 1. Lamba

⚠DİKKAT: Işığa bakmayın ya da ışık kaynağını doğrudan görmeyin.

Lambayı yakmak için anahtar tetiği çekin. Anahtar tetik çekilirken lamba yanmaya devam eder. Anahtar tetik serbest bırakıldıktan yaklaşık 10 saniye sonra lamba söner.

NOT: Lamba lensini temizlemek için kuru bir bez kullanın. Aydınlatmayı azaltacağı için lamba lensinin çizilmemesine dikkat edin.

NOT: Alet aşırı ısındığında, ışık bir dakika boyunca yanıp söner ve ardından LED göstergesi kapanır. Bu durumda, aleti tekrar çalıştırmadan önce soğutun.

Ters dönüş mandalı işlemi

► **Şek.5:** 1. Ters dönüş mandalı anahtarı

⚠DİKKAT: Kullanmadan önce dönüş yönünü daima kontrol edin.


⚠DİKKAT: Ters döndürme anahtarını sadece alet tamamen durduktan sonra kullanın. Dönüş yönünün alet durmadan önce değiştirilmesi alete zarar verebilir.


⚠DİKKAT: Aleti kullanmadığınız zaman, ters döndürme anahtarını daima nötr konumuna ayarlayın.

Bu aletin dönüş yönünü değiştirmek için bir ters döndürme anahtarı vardır. Ters döndürme anahtarına saat yönünde dönüş için A tarafından tersi yönde dönüş içinse B tarafından bastırın. Ters döndürme anahtarı nötr konumundayken tetik anahtar çekilemez.

Sıkma torkunun ayarlanması

► **Şek.7:** 1. Ayarlama halkası 2. Derecelendirme 3. Ok

Ayarlama halkası döndürülerek, sıkıştırma torku 21 kademeli olarak ayarlanabilir. Dereceleri alet gövdesi üzerindeki okla hizalayın. 1. kademede en düşük sıkıştırma torkunu,  işaretinde ise en yüksek torku elde edersiniz.

1 ile 20 arasında bir sayıya ayarlandığında ambreyaj farklı tork seviyelerinde kayacaktır.  işaretinde ambreyaj çalışmaz.

Gerçek kullanım öncesinde, belli bir uygulama için hangi tork düzeyinin gerekli olduğunu belirlemek için, kullanacağınız malzeme ya da aynı malzemenin bir eşi üzerinde bir vida ile deneme yapın.

Aşağıda, vida boyutu ile kademeler arasındaki ilişkinin ana hatlarını gösteren bir tablo sunulmuştur.

Derecelendirme		1	2	3	4	5	6	7	8	9	10	11	12	13	14	15	16	17	18	19	20
Makine vidası		M4				M5								M6							
Ahşap vidası	Yumuşak tahta (örn. çam)	-				φ3,5 x 22				φ4,1 x 38				-							
	Sert tahta (örn. maun)	-				φ3,5 x 22				φ4,1 x 38				-							

Hız değiştirme

► **Şek.6:** 1. Hız değiştirme kolu

⚠DİKKAT: Hız değiştirme kolunu doğru konuma daima tam olarak ayarlayın. Hız değiştirme kolu "1" ile "2" konumları arasında bir pozisyonda iken aleti kullanırsanız alet zarar görebilir.

⚠DİKKAT: Alet çalışırken hız değiştirme kolunu kullanmayın. Alet zarar görebilir.

Hız değiştirme kolunun konumu	Hız	Tork	Uygulanabilir çalışma
1	Düşük	Yüksek	Ağır yükte çalışma
2	Yüksek	Düşük	Hafif yükte çalışma

Hızı değiştirmek için önce aleti kapatın. Yüksek hız için "2" tarafını, düşük hız ama yüksek tork için "1" tarafını seçin. Kullanmaya başlamadan önce hız değiştirme kolunun doğru konuma ayarlandığından emin olun. "2" hızında çalışırken alet hızı aşırı derecede düşmeye başlarsa, kolu "1"e getirin ve aleti yeniden çalıştırın.

MONTAJ

⚠ DİKKAT: Alet üzerinde herhangi bir iş yapmadan önce aletin kapalı ve batarya kartuşunun ayrılmış olduğundan daima emin olun.

Tornavida ucunun/matkap ucunun takılması veya çıkarılması

DF332D Model için (isteğe bağlı aksesuar)

► **Şek.8:** 1. Kovan 2. Kapat 3. Aç

Mandren ağızlarını açmak için, kovani saat yönünün tersine çevirin. Tornavida ucunu/matkap ucunu mandrenin içinde gidebileceği kadar yerleştirin. Mandreni sıkılamak için, kovani saat yönünde çevirin. Tornavida ucunu/matkap ucunu çıkarmak için, kovani saat yönünün tersine çevirin.

Tornavida ucunun/lokma ucunun takılması ya da çıkarılması

DF032D Model için (isteğe bağlı aksesuar)

► **Şek.9**

Sadece şekilde gösterilen takma kısımları olan tornavida ucunu/lokma ucunu kullanın. Başka herhangi bir tornavida/lokma ucu kullanmayın.

Tornavida ucu takma deliği sıg olan alet için

A=12 mm B=9 mm	Sadece bu tip tornavida uçlarını kullanın. 1 no.lu prosedürünü izleyin. (Not) Uç eki gerekli değildir.
-------------------	--

Tornavida ucu takma deliği derin olan alet için

A=17 mm B=14 mm	Bu tür uçları takmak için 1 no.lu prosedürü kullanın.
A=12 mm B=9 mm	Bu tür uçları takmak için 2 no.lu prosedürü kullanın. (Not) Ucu takmak için uç eki gereklidir.

1. Tornavida ucunu takmak için, kovani ok yönünde çekin ve tornavida ucunu girebildiği kadar kovana geçirin. Sonra tornavida ucunu sabitlemek için kovani serbest bırakın.

► **Şek.10:** 1. Tornavida ucu 2. Kovan

2. Tornavida ucunu takmak için, kovani ok yönünde çekin ve uç ekini ve tornavida ucunu girebildiği kadar kovana geçirin. Uç eki kovana sivri ucu içe bakacak şekilde geçirilmelidir. Sonra tornavida ucunu sabitlemek için kovani serbest bırakın.

► **Şek.11:** 1. Tornavida ucu 2. Uç eki 3. Kovan

Ucu çıkarmak için, kovani ok yönünde çekin ve tornavida ucunu dışarı çekin.

NOT: Eğer tornavida ucu kovanın içine yeterince derin sokulmazsa kovan orijinal konumuna dönmeyebilir ve uç sabitlenmez. Bu durumda, ucu yukarıdaki talimatlara göre yeniden takmaya çalışın.

NOT: Tornavida ucunu taktıktan sonra, sıkı şekilde sabitlendiğinden emin olun. Eğer dışarı çıkıyorsa, ucu kullanmayın.

Kancanın takılması

► **Şek.12:** 1. Oluk 2. Kanca 3. Vida

Kanca aletin geçici bir süre asılmasına yarar. Bu kanca aletin her iki yanına da takılabilir. Kancayı takmak için, onu alet gövdesinin her iki yanındaki oluklardan birine geçirin ve sonra bir vida ile sabitleyin. Çıkarmak için, vidayı gevşetin ve sonra dışarı çekip alın.

Tornavida ucu tutucusunun takılması

İsteğe bağlı aksesuar

► **Şek.13:** 1. Tornavida ucu tutucusu 2. Tornavida ucu

Tornavida ucu tutucuyu sağ ya da sol taraftaki alet ayağının çıkıntısına yerleştirip bir vida ile sabitleyin.

Tornavida ucunu kullanmadığınız zamanlarda tornavida ucu tutucusunda saklayın. 45 mm uzunluğundaki tornavida uçları burada saklanabilir.

KULLANIM

⚠ DİKKAT: Batarya kartuşunu daima yerine tam kilitlene kadar itin. Düğmenin üst tarafındaki kırmızı göstergiyi görüyorsanız, kartuş tam kilitlenmemiş demektir. Kırmızı gösterge görünmeyecek şekilde tam olarak oturtun. Aksi takdirde, aletten yanlışlıkla düşebilir, sizin ya da çevrenizdeki kişilerin yaralanmasına neden olabilir.

⚠ DİKKAT: Hız aşırı derecede yavaşlarsa, alete zarar vermeme için yükü azaltın veya aleti durdurun.

Dönüş gücünü kontrol etmek için tek elinizle aletin kavrama bölümünden ve diğer elinizle batarya kartuşunun altından sıkıca tutarak aleti kullanın.

► **Şek.14**

Vidalama işlemi


⚠ DİKKAT: Ayarlama halkasını yaptığınız iş için uygun olan tork seviyesine ayarlayın.

⚠ DİKKAT: Tornavida ucunun vida başına düzgün olarak girdiğinden emin olun, aksi takdirde vida ve/veya tornavida ucu hasar görebilir.

Matkap ucunu vida başına yerleştirin ve alete basınç uygulayın. Aleti yavaş hızda başlatın, hızlı dereceli olarak artırın. Ambreyaj devreye girer girmez anahtar tetiği bırakın.

NOT: Ahşap vidalarla çalışırken, önce vida çapının 2/3'ü büyüklüğünde bir pilot delik delin. Bu işlem, vidalamayı kolaylaştırır ve iş parçasının parçalanmasını önler.

Delme işlemi

Önce, ayarlama halkasını ok  işaretine bakacak şekilde döndürün. Ardından, aşağıda belirtilen şekilde işleme devam edin.

Tahta delerken

Tahta delerken, kılavuz vidalı tahta uçlarıyla en iyi sonuçlar elde edilir. Kılavuz vida, matkap ucunu iş parçasına çekmek suretiyle delme işlemini kolaylaştırır.

Metal delerken

Delik delmeye başlarken, matkap ucunun kaymasını engellemek için zimba ve çekiç yardımı ile delik açılacak noktaya çentik açın. Çentik üstüne matkap ucunu yerleştirip delmeye başlayın. Metal delerken kesme soğutucusu sıvıyı kullanın. Ancak demir ve çelik istisna olup kuru olarak delinmelidir.

⚠️ DİKKAT: Alete aşırı baskı yapıldığında delme işlemi hızlanmayacaktır. Aşırı baskı matkap ucunun yıpranmasına, alet performansının düşmesine ve aletin kullanım ömrünün kısalmasına yol açacaktır.

⚠️ DİKKAT: Matkap ucu, iş parçasını delip çıkmaya başladığında aleti sıkı tutun ve dikkat sarf edin. Deliğin açılması sırasında alet/matkap ucu üzerine çok büyük güç uygulanır.

⚠️ DİKKAT: Sıkışan bir matkap ucu, aleti ters yöne döndürerek kolayca çıkartılabilir. Fakat bu durumda aleti sıkıca tutmak gerekir, aksi halde alet darbe ile aniden elden çıkabilir.

⚠️ DİKKAT: İş parçalarını daima bir mengene ya da benzer sıkıştırma aygıtlarıyla sabitleyin.


⚠️ DİKKAT: Alet, batarya kartuşu bitene kadar sürekli olarak kullanılmışsa, yeni bir batarya takıp devam etmeden önce 15 dakika dinlenin.

Aletin manüel bir tornavida olarak kullanılması

► Şek.15

Aleti kapatın.

Ters dönüş mandalını nötr konuma getirin.

Ayarlama halkasını ok  işaretine gösterecek şekilde döndürün.

Aleti döndürün.

NOT: Bu kullanım, vidaların sıklığını kontrol etmek için uygundur.

NOT: Aleti, cıvataların sıkılması ya da paslı çivilerin çıkarılması gibi aşırı güç gerektiren işler için kullanmayın.

Kılıf kullanımı

İsteğe bağlı aksesuar

⚠️ DİKKAT: Kılıf kullanıldığı zaman, tornavida ucunu/matkap ucunu aletten çıkarın.

⚠️ DİKKAT: Aleti kapatın ve kılıfı yerleştirmeden önce aletin tam olarak durmasını bekleyin. Kılıf düğmesini kullanarak, aleti sıkı bir şekilde tutacak şekilde kılıfı iyice kapattığınızdan emin olun.

1. Kılıf tutucudan bir kemer ya da benzer bir nesneyi geçirin.

► **Şek.16:** 1. Kılıf tutucu 2. Kemer

2. Aleti kılıfın içine yerleştirin ve kılıf düğmesiyle kilitleyin.

► **Şek.17**

► **Şek.18**

İki tornavida ucunu kılıfın ön kısmında saklayabilirsiniz.

BAKIM

⚠️ DİKKAT: Muayene ya da bakım yapmadan önce aletin kapalı ve batarya kartuşunun çıkartılmış olduğundan daima emin olun.

ÖNEMLİ NOT: Benzin, tiner, alkol ve benzeri maddeleri kesinlikle kullanmayın. Renk değişimi, deformasyon veya çatlaklar oluşabilir.

Aleti EMNİYETLİ ve ÇALIŞMAYA HAZIR durumda tutmak için onarımlar, başka her türlü bakım ve ayarlamalar daima Makita yedek parçaları kullanılarak Makita yetkili servis merkezleri veya Fabrikanın Servis Merkezleri tarafından yapılmalıdır.

İSTEĞE BAĞLI AKSESUARLAR

⚠️ DİKKAT: Bu aksesuarlar ve ek parçalar bu el kitabında belirtilen Makita aletiniz ile kullanılmak için tavsiye edilmektedir. Herhangi başka bir aksesuar ya da ek parça kullanılması insanlar için bir yaralanma riski getirebilir. Aksesuarları ya da ek parçaları yalnızca belirtilmiş olan kullanım amaçlarına uygun olarak kullanın.

Bu aksesuarlarla ilgili daha fazla bilgiye ihtiyaç duyarsanız bulunduğunuz yerdeki yetkili Makita servisine başvurun.

- Matkap uçları
- Tornavida uçları
- Lokma uçları
- Uç eki
- Tornavida ucu tutucusu
- Kılıf
- Plastik taşıma çantası
- Kanca
- Orijinal Makita batarya ve şarj aleti

NOT: Listedeki parçaların bazıları alet paketi içerisinde standart aksesuar olarak dahil edilmiş olabilir. Bunlar ülkeden ülkeye farklılık gösterebilir.

Makita Europe N.V. Jan-Baptist Vinkstraat 2,
3070 Kortenberg, Belgium

Makita Corporation 3-11-8, Sumiyoshi-cho,
Anjo, Aichi 446-8502 Japan

www.makita.com

885466A990
EN, FR, DE, IT, NL,
ES, PT, DA, EL, TR
20171020