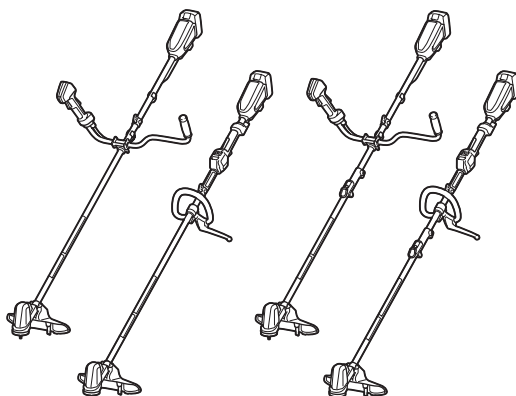
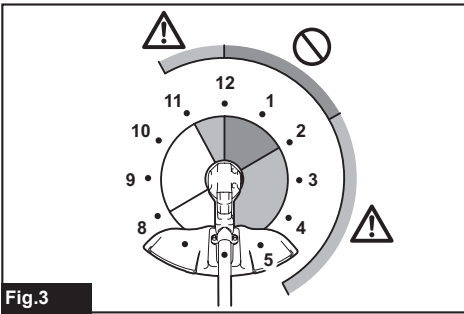
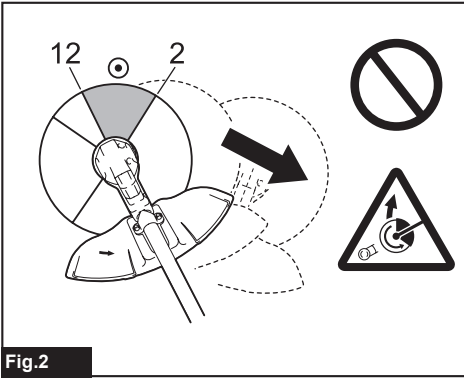
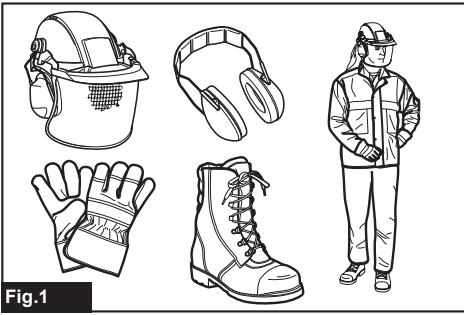




<b>EN</b>	<b>Cordless Grass Trimmer</b>	<b>INSTRUCTION MANUAL</b>	<b>11</b>
<b>FR</b>	<b>Coupe herbe sans fil</b>	<b>MANUEL D'INSTRUCTIONS</b>	<b>24</b>
<b>DE</b>	<b>Akku-Rasentrimmer</b>	<b>BETRIEBSANLEITUNG</b>	<b>38</b>
<b>IT</b>	<b>Tagliabordi a batteria</b>	<b>ISTRUZIONI PER L'USO</b>	<b>53</b>
<b>NL</b>	<b>Accugrastrimmer</b>	<b>GEBRUIKSAANWIJZING</b>	<b>67</b>
<b>ES</b>	<b>Cortador Inalámbrico de Pasto</b>	<b>MANUAL DE INSTRUCCIONES</b>	<b>81</b>
<b>PT</b>	<b>TESOURA PARA GRAMA A BATERIA</b>	<b>MANUAL DE INSTRUÇÕES</b>	<b>96</b>
<b>DA</b>	<b>Akku græstrimmer</b>	<b>BRUGSANVISNING</b>	<b>110</b>
<b>EL</b>	<b>Φορητό κουρευτικό γκαζόν</b>	<b>ΕΓΧΕΙΡΙΔΙΟ ΟΔΗΓΙΩΝ</b>	<b>123</b>
<b>TR</b>	<b>Akülü Yan Tırpan</b>	<b>KULLANMA KILAVUZU</b>	<b>138</b>

**DUR190U**  
**DUR190L**  
**DUR191U**  
**DUR191L**





DUR190L  
DUR191L

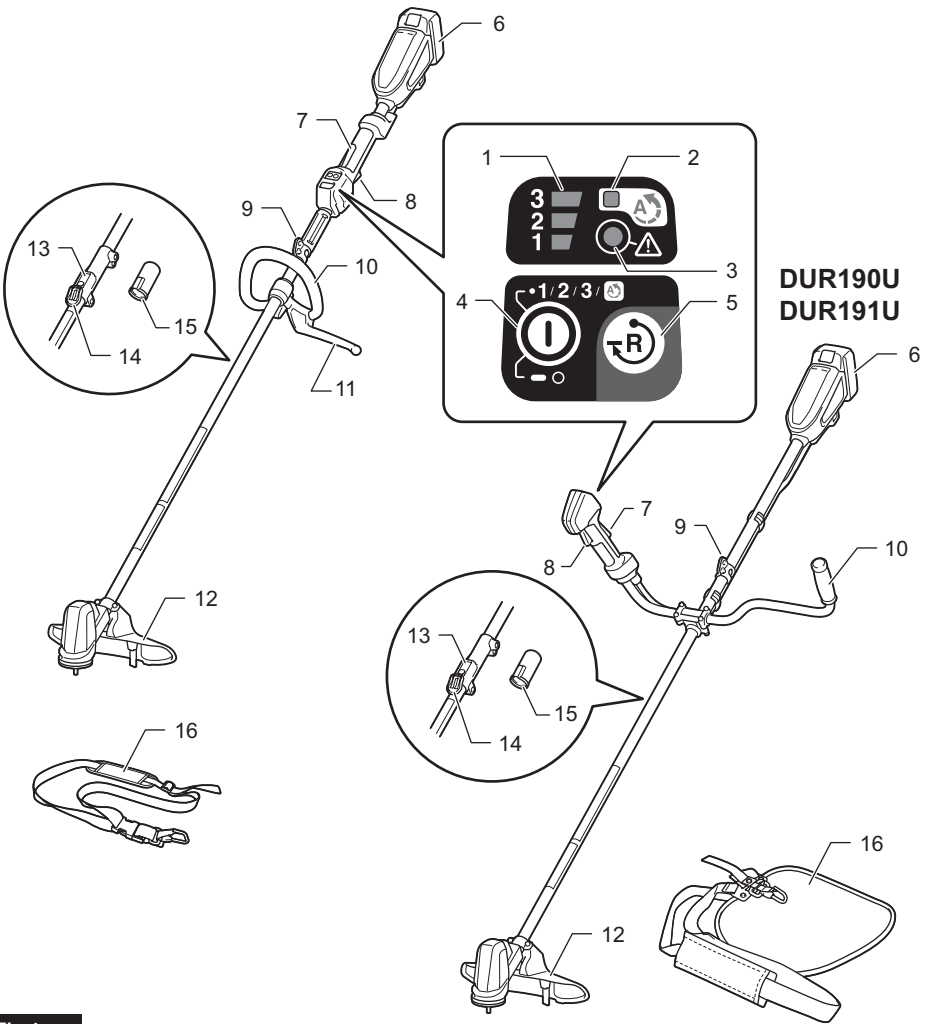


Fig.4

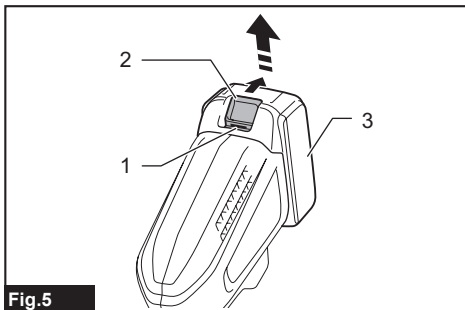


Fig.5

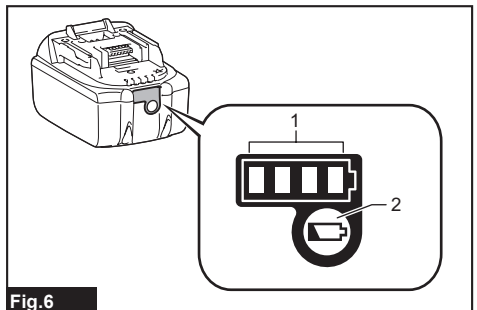


Fig.6

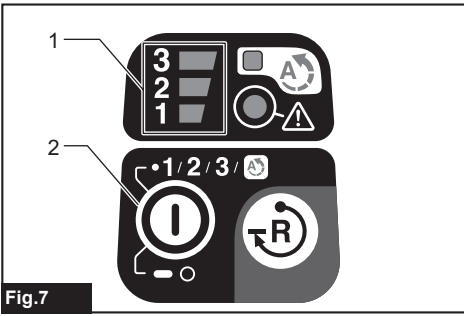


Fig.7

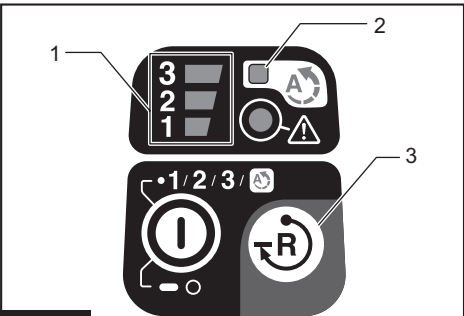


Fig.11

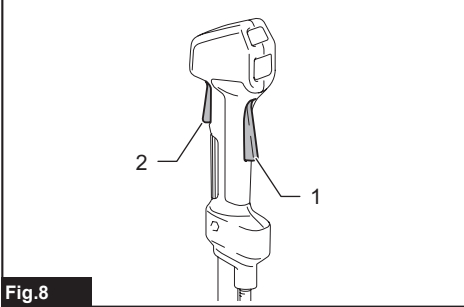


Fig.8

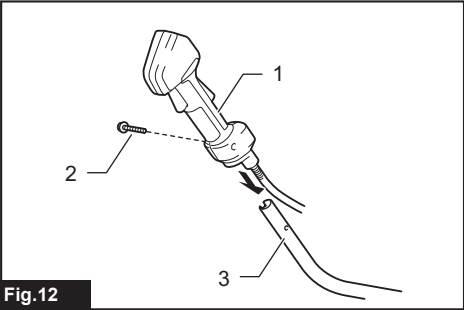


Fig.12

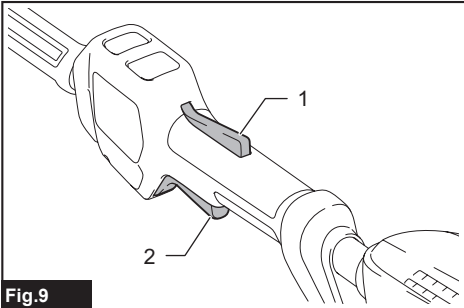


Fig.9

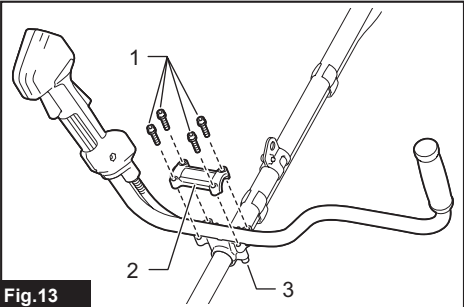


Fig.13

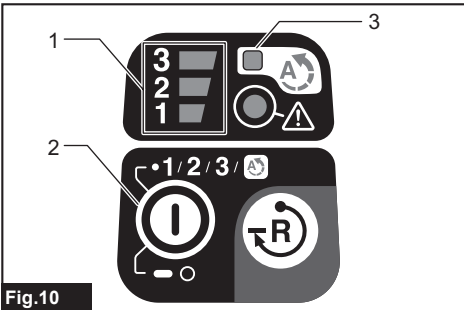


Fig.10

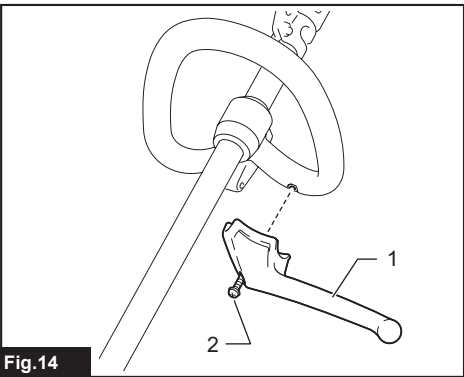
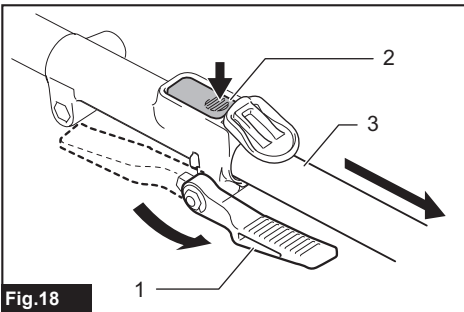
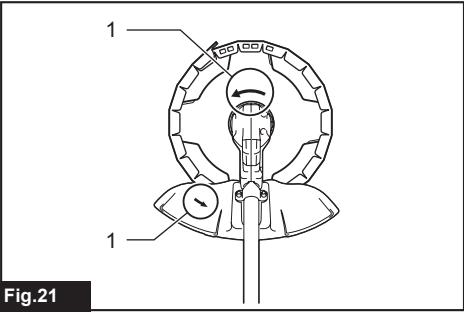
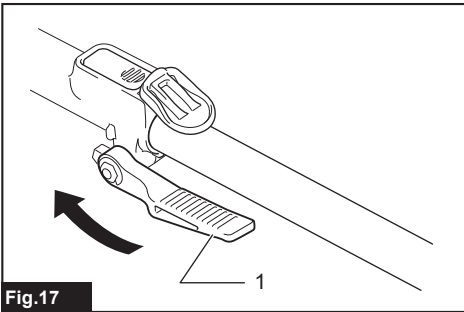
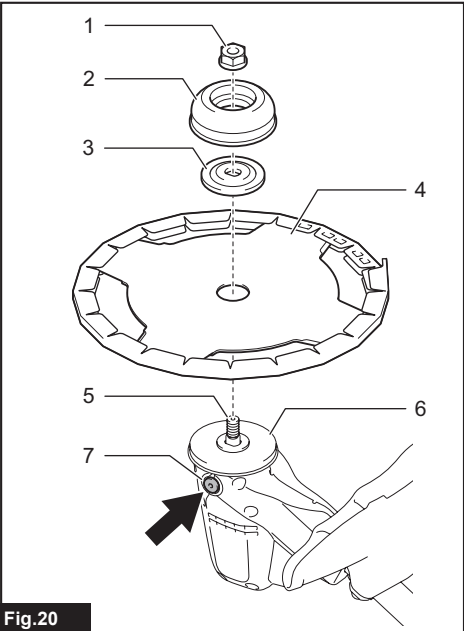
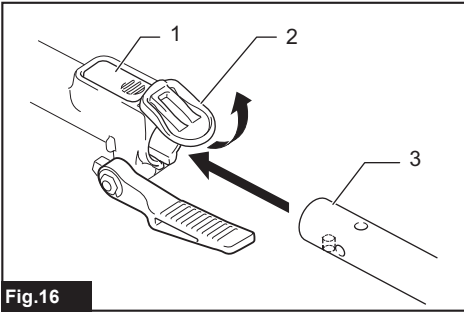
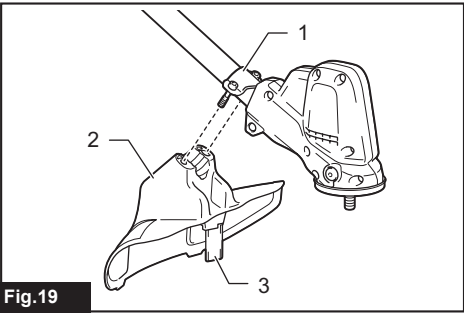
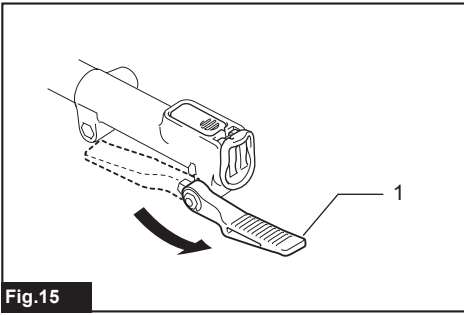


Fig.14





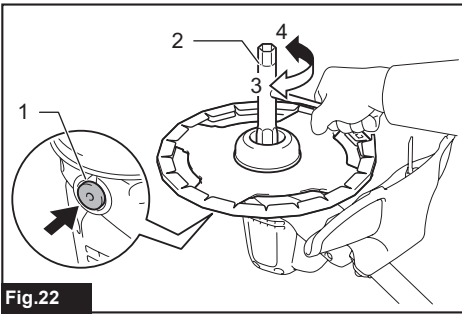


Fig.22

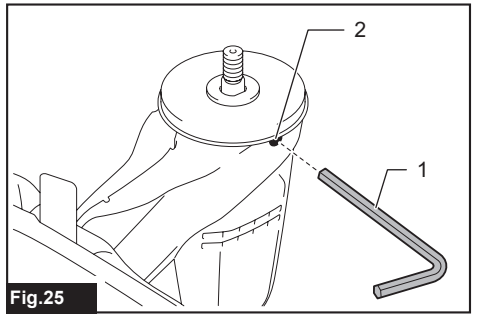


Fig.25

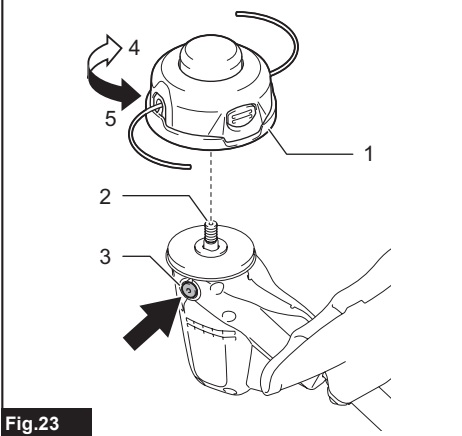


Fig.23

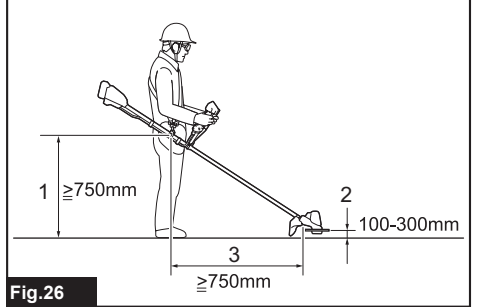


Fig.26

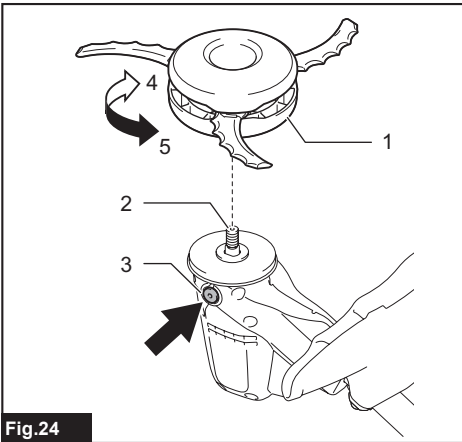


Fig.24

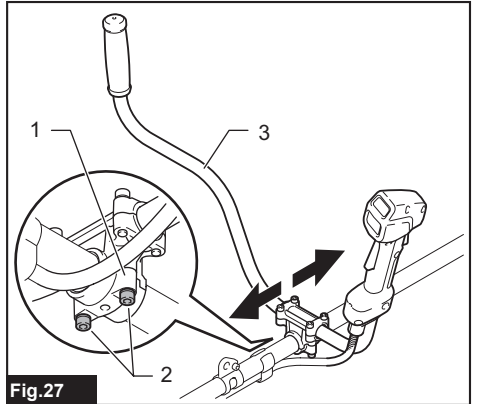


Fig.27

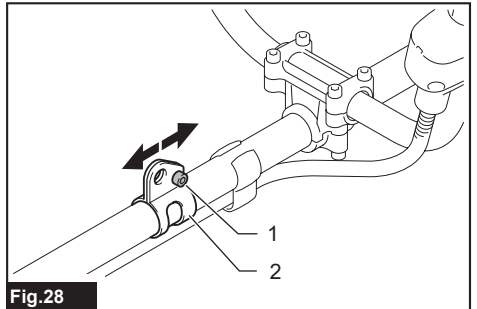
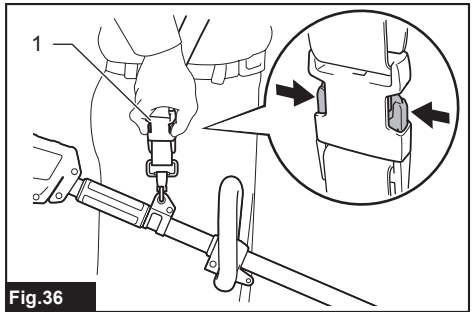
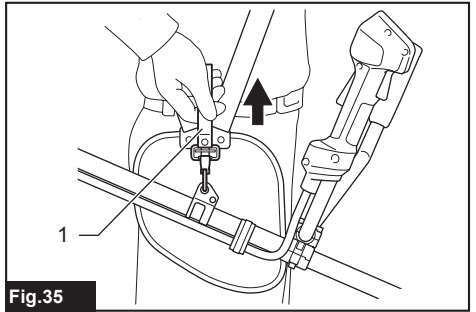
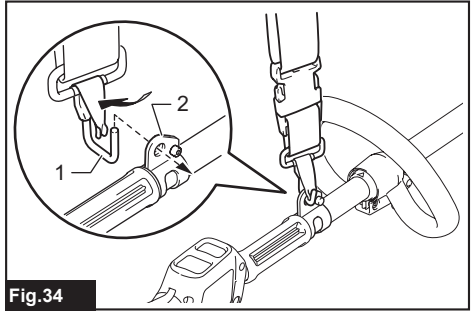
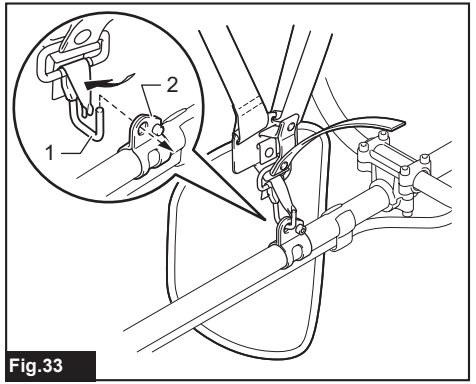
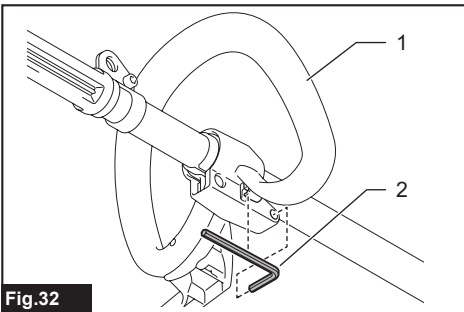
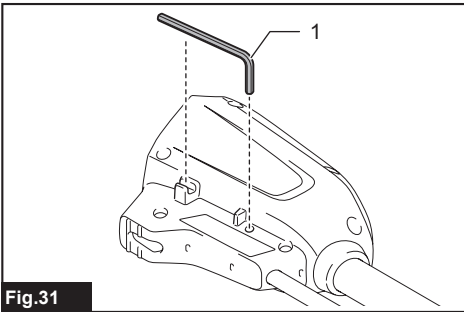
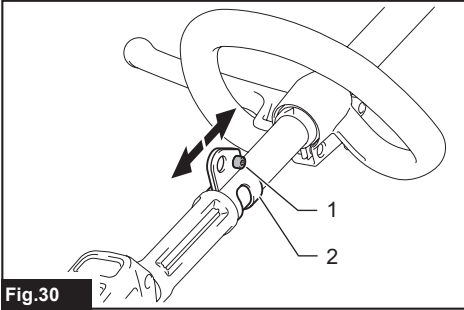
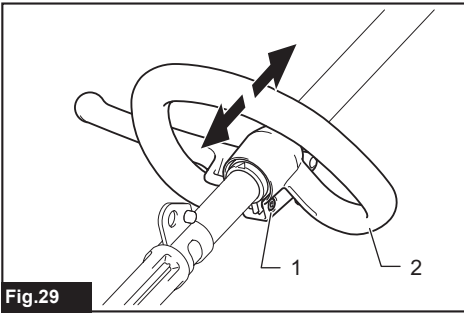


Fig.28



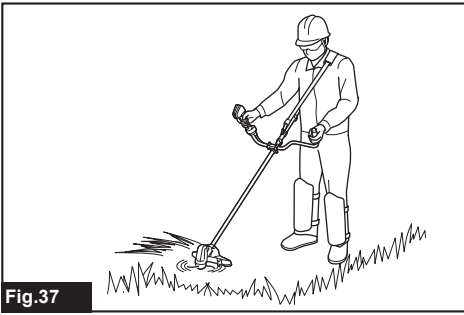


Fig.37

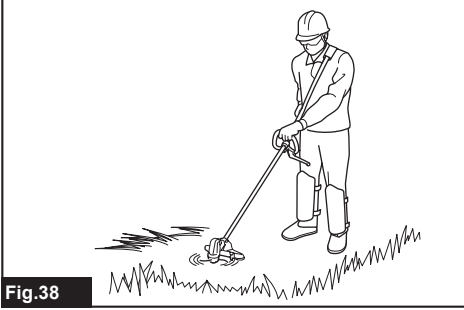


Fig.38

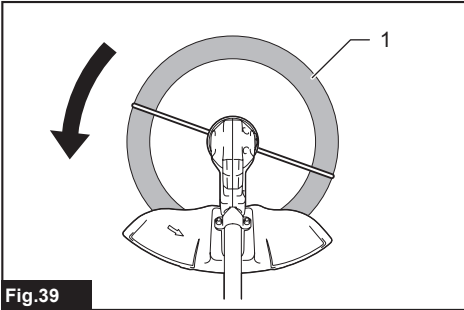


Fig.39

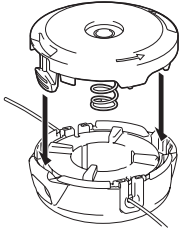
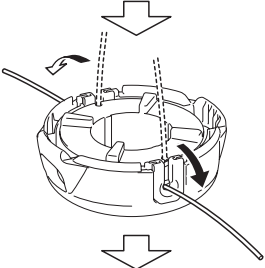
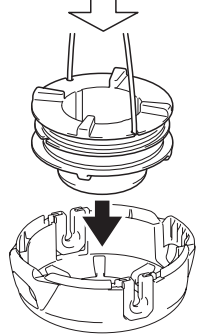
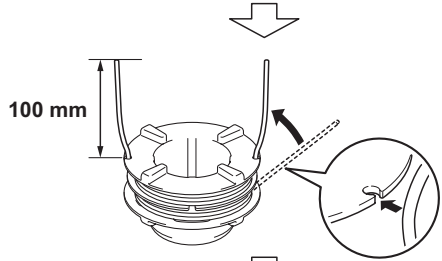
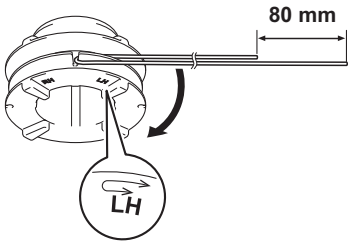
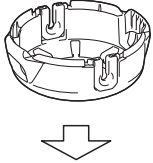
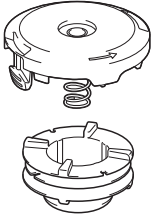
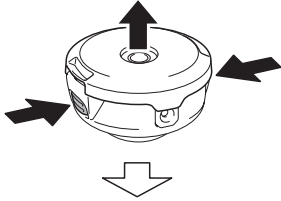
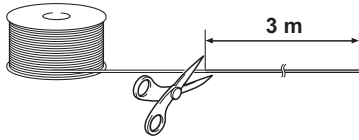


Fig.40

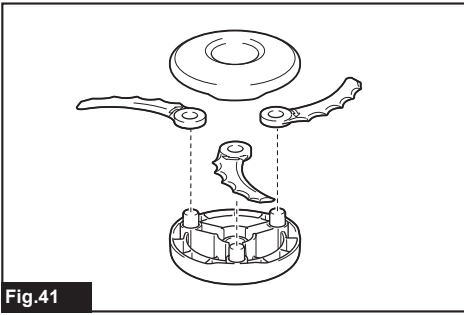


Fig.41

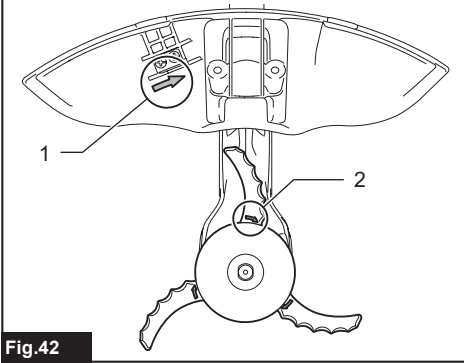


Fig.42

## SPECIFICATIONS

Model:		DUR190U	DUR190L	DUR191U	DUR191L
Type of handle		Bike handle	Loop handle	Bike handle	Loop handle
No load speed		3: 6.000 min <sup>-1</sup> 2: 5.100 min <sup>-1</sup> 1: 3.500 min <sup>-1</sup>			
Overall length (without cutting tool)		1,775 mm			
Nylon cord diameter		2.0 - 2.4 mm			
Applicable cutting tool and cutting diameter	3-tooth blade (P/N 191J34-5)	230 mm			
	4-tooth blade (P/N 729025-2)	230 mm			
	Nylon cutting head (P/N 126674-0)	300 mm			
	Plastic blade (P/N 126642-3)	230 mm			
Rated voltage		D.C. 18 V			
Net weight		3.1 - 3.4 kg	2.9 - 3.2 kg	3.4 - 3.7 kg	3.2 - 3.5 kg

- Due to our continuing program of research and development, the specifications herein are subject to change without notice.
- Specifications may differ from country to country.
- The weight may differ depending on the attachment(s), including the battery cartridge. The lightest and heaviest combination, according to EPTA-Procedure 01/2014, are shown in the table.

### Applicable battery cartridge and charger

Battery cartridge	BL1815N / BL1820 / BL1820B / BL1830 / BL1830B / BL1840 / BL1840B / BL1850 / BL1850B / BL1860B
Charger	DC18RC / DC18RD / DC18RE / DC18SD / DC18SE / DC18SF / DC18SH

- Some of the battery cartridges and chargers listed above may not be available depending on your region of residence.

**⚠ WARNING: Only use the battery cartridges and chargers listed above.** Use of any other battery cartridges and chargers may cause injury and/or fire.

### Recommended battery adapter

Battery adapter	PDC01
-----------------	-------

- The battery adapter(s) listed above may not be available depending on your region of residence.
- Before using the battery adapter, read instruction and cautionary markings on the battery adapter.

# Noise

## Model DUR190U

Cutting tool	Sound pressure level ( $L_{pA}$ ) dB(A)		Sound power level ( $L_{wA}$ ) dB(A)		Applicable standard
	$L_{pA}$ dB(A)	Uncer- tainty (K) dB(A)	$L_{wA}$ dB(A)	Uncer- tainty (K) dB(A)	
4-tooth blade	77.0	3.9	91.6	2.4	ISO22868 (ISO11806-1)
Nylon cutting head	74.0	1.9	87.1	0.9	ISO22868 (ISO11806-1)/ EN50636-2-91
Plastic blade	75.6	1.3	85.9	2.1	ISO22868 (ISO11806-1)/ EN50636-2-91

## Model DUR190L

Cutting tool	Sound pressure level ( $L_{pA}$ ) dB(A)		Sound power level ( $L_{wA}$ ) dB(A)		Applicable standard
	$L_{pA}$ dB(A)	Uncer- tainty (K) dB(A)	$L_{wA}$ dB(A)	Uncer- tainty (K) dB(A)	
4-tooth blade	77.0	3.9	91.6	2.4	ISO22868 (ISO11806-1)
Nylon cutting head	74.0	1.9	87.1	0.9	ISO22868 (ISO11806-1)/ EN50636-2-91
Plastic blade	75.6	1.3	85.9	2.1	ISO22868 (ISO11806-1)/ EN50636-2-91

## Model DUR191U

Cutting tool	Sound pressure level ( $L_{pA}$ ) dB(A)		Sound power level ( $L_{wA}$ ) dB(A)		Applicable standard
	$L_{pA}$ dB(A)	Uncer- tainty (K) dB(A)	$L_{wA}$ dB(A)	Uncer- tainty (K) dB(A)	
4-tooth blade	77.0	3.9	91.6	2.4	ISO22868 (ISO11806-1)
Nylon cutting head	74.0	1.9	87.1	0.9	ISO22868 (ISO11806-1)/ EN50636-2-91
Plastic blade	75.6	1.3	85.9	2.1	ISO22868 (ISO11806-1)/ EN50636-2-91

## Model DUR191L

Cutting tool	Sound pressure level ( $L_{pA}$ ) dB(A)		Sound power level ( $L_{wA}$ ) dB(A)		Applicable standard
	$L_{pA}$ dB(A)	Uncer- tainty (K) dB(A)	$L_{wA}$ dB(A)	Uncer- tainty (K) dB(A)	
4-tooth blade	77.0	3.9	91.6	2.4	ISO22868 (ISO11806-1)
Nylon cutting head	74.0	1.9	87.1	0.9	ISO22868 (ISO11806-1)/ EN50636-2-91
Plastic blade	75.6	1.3	85.9	2.1	ISO22868 (ISO11806-1)/ EN50636-2-91

- Even if the sound pressure level listed above is 80 dB (A) or less, the level under working may exceed 80 dB (A). Wear ear protection.



**NOTE:** The declared noise emission value(s) has been measured in accordance with a standard test method and may be used for comparing one tool with another.

**NOTE:** The declared noise emission value(s) may also be used in a preliminary assessment of exposure.

**⚠WARNING:** Wear ear protection.

**⚠WARNING:** The noise emission during actual use of the power tool can differ from the declared value(s) depending on the ways in which the tool is used especially what kind of workpiece is processed.

**⚠WARNING:** Be sure to identify safety measures to protect the operator that are based on an estimation of exposure in the actual conditions of use (taking account of all parts of the operating cycle such as the times when the tool is switched off and when it is running idle in addition to the trigger time).

## Vibration

### Model DUR190U

Cutting tool	Left hand		Right hand		Applicable standard
	$a_{h,w}$ (m/s <sup>2</sup> )	Uncertainty K (m/s <sup>2</sup> )	$a_{h,w}$ (m/s <sup>2</sup> )	Uncertainty K (m/s <sup>2</sup> )	
4-tooth blade	≤ 2.5	1.5	≤ 2.5	1.5	ISO22867 (ISO11806-1)
Nylon cutting head	≤ 2.5	1.5	≤ 2.5	1.5	ISO22867 (ISO11806-1)
Plastic blade	≤ 2.5	1.5	≤ 2.5	1.5	ISO22867 (ISO11806-1)

### Model DUR190L

Cutting tool	Left hand		Right hand		Applicable standard
	$a_{h,w}$ (m/s <sup>2</sup> )	Uncertainty K (m/s <sup>2</sup> )	$a_{h,w}$ (m/s <sup>2</sup> )	Uncertainty K (m/s <sup>2</sup> )	
4-tooth blade	≤ 2.5	1.5	≤ 2.5	1.5	ISO22867 (ISO11806-1)
Nylon cutting head	≤ 2.5	1.5	≤ 2.5	1.5	ISO22867 (ISO11806-1)
Plastic blade	≤ 2.5	1.5	≤ 2.5	1.5	ISO22867 (ISO11806-1)

### Model DUR191U

Cutting tool	Left hand		Right hand		Applicable standard
	$a_{h,w}$ (m/s <sup>2</sup> )	Uncertainty K (m/s <sup>2</sup> )	$a_{h,w}$ (m/s <sup>2</sup> )	Uncertainty K (m/s <sup>2</sup> )	
4-tooth blade	≤ 2.5	1.5	≤ 2.5	1.5	ISO22867 (ISO11806-1)
Nylon cutting head	≤ 2.5	1.5	≤ 2.5	1.5	ISO22867 (ISO11806-1)
Plastic blade	≤ 2.5	1.5	≤ 2.5	1.5	ISO22867 (ISO11806-1)

### Model DUR191L

Cutting tool	Left hand		Right hand		Applicable standard
	$a_{h,w}$ (m/s <sup>2</sup> )	Uncertainty K (m/s <sup>2</sup> )	$a_{h,w}$ (m/s <sup>2</sup> )	Uncertainty K (m/s <sup>2</sup> )	
4-tooth blade	≤ 2.5	1.5	≤ 2.5	1.5	ISO22867 (ISO11806-1)
Nylon cutting head	≤ 2.5	1.5	≤ 2.5	1.5	ISO22867 (ISO11806-1)
Plastic blade	≤ 2.5	1.5	≤ 2.5	1.5	ISO22867 (ISO11806-1)

**NOTE:** The declared vibration total value(s) has been measured in accordance with a standard test method and may be used for comparing one tool with another.

**NOTE:** The declared vibration total value(s) may also be used in a preliminary assessment of exposure.


**⚠ WARNING:** The vibration emission during actual use of the power tool can differ from the declared value(s) depending on the ways in which the tool is used especially what kind of workpiece is processed.


**⚠ WARNING:** Be sure to identify safety measures to protect the operator that are based on an estimation of exposure in the actual conditions of use (taking account of all parts of the operating cycle such as the times when the tool is switched off and when it is running idle in addition to the trigger time).


## Symbols


The followings show the symbols used for the equipment. Be sure that you understand their meaning before use.


 Take particular care and attention.


 Read instruction manual.


 Keep distance at least 15 m.


 Danger; be aware of thrown objects.


 Caution; kickback

 Wear a helmet, goggles and ear protection.

 Wear protective gloves.

 Wear sturdy boots with nonslip soles. Steeltoed safety boots are recommended.

 Do not expose to moisture.

 Ni-MH  
Li-Ion

Only for EU countries  
Do not dispose of electric equipment or battery pack together with household waste material! In observance of the European Directives, on Waste Electric and Electronic Equipment and Batteries and Accumulators and Waste Batteries and Accumulators and their implementation in accordance with national laws, electric equipment and batteries and battery pack(s) that have reached the end of their life must be collected separately and returned to an environmentally compatible recycling facility.

## EC Declaration of Conformity

### For European countries only

The EC declaration of conformity is included as Annex A to this instruction manual.

## SAFETY WARNINGS

### General power tool safety warnings

**⚠ WARNING:** Read all safety warnings, instructions, illustrations and specifications provided with this power tool. Failure to follow all instructions listed below may result in electric shock, fire and/or serious injury.

## Save all warnings and instructions for future reference.

The term "power tool" in the warnings refers to your mains-operated (corded) power tool or battery-operated (cordless) power tool.

## Important safety instructions for the tool

**⚠ WARNING:** Read all safety warnings and all instructions. Failure to follow the warnings and instructions may result in electric shock, fire and/or serious injury.

## Save all warnings and instructions for future reference.

### Intended use

1. This tool is only intended for cutting grass, weeds, bushes and undergrowth. It should not be used for any other purpose such as edging or hedge cutting as this may cause injury.

### General instructions

1. Never allow people unfamiliar with these instructions, people (including children) with reduced physical, sensory or mental capabilities, or lack of experience and knowledge to use the tool. Children should be supervised to ensure that they do not play with the tool.
2. Before starting the tool, read this instruction manual to become familiar with the handling of the tool.
3. Do not lend the tool to a person with insufficient experience or knowledge regarding handling of brushcutters and string trimmers.
4. When lending the tool, always attach this instruction manual.
5. Handle the tool with the utmost care and attention.
6. Never use the tool after consuming alcohol or drugs, or if feeling tired or ill.
7. Never attempt to modify the tool.
8. Follow the regulations about handling of brushcutters and string trimmers in your country.

### Personal protective equipment

► Fig.1

1. Wear safety helmet, protective goggles and protective gloves to protect yourself from flying debris or falling objects.
2. Wear ear protection such as ear muffs to prevent hearing loss.

3. **Wear proper clothing and shoes for safe operation, such as a work overall and sturdy, non-slip shoes. Do not wear loose clothing or jewelry.** Loose clothes, jewelry or long hair can be caught in moving parts.
4. **When touching the cutting blade, wear protective gloves.** Cutting blades can cut bare hands severely.

## Work area safety

1. **Operate the tool under good visibility and daylight conditions only. Do not operate the tool in darkness or fog.**
2. **Do not operate the tool in explosive atmospheres, such as in the presence of flammable liquids, gases or dust.** The tool creates sparks which may ignite the dust or fumes.
3. **During operation, never stand on an unstable or slippery surface or a steep slope. During the cold season, beware of ice and snow and always ensure secure footing.**
4. **During operation, keep bystanders or animals at least 15 m away from the tool. Stop the tool as soon as someone approaches.**
5. **Never operate the tool while people, especially children, or pets are nearby.**
6. **Before operation, examine the work area for stones or other solid objects.** They can be thrown or cause dangerous kickback and result in serious injury and/or property damage.
7. **⚠️WARNING: Use of this product can create dust containing chemicals which may cause respiratory or other illnesses. Some examples of these chemicals are compounds found in pesticides, insecticides, fertilizers and herbicides. Your risk from these exposures varies, depending on how often you do this type of work. To reduce your exposure to these chemicals: work in a well ventilated area, and work with approved safety equipment, such as those dust masks that are specially designed to filter out microscopic particles.**

## Electrical and battery safety

1. **Do not expose the tool to rain or wet conditions.** Water entering the tool will increase the risk of electric shock.
2. **Do not use the tool if the switch does not turn it on and off.** Any tool that cannot be controlled with the switch is dangerous and must be repaired.
3. **Prevent unintentional starting. Ensure the switch is in the off-position before installing a battery pack, picking up or carrying the tool.** Carrying the tool with your finger on the switch or energising the tool that have the switch on invites accidents.
4. **Do not dispose of the battery(ies) in a fire.** The cell may explode. Check with local codes for possible special disposal instructions.
5. **Do not open or mutilate the battery(ies).** Released electrolyte is corrosive and may cause damage to the eyes or skin. It may be toxic if swallowed.
6. **Do not charge battery in rain, or in wet locations.**

## Putting into operation

1. **Before assembling or adjusting the tool, remove the battery cartridge.**
2. **Before handling the cutter blade, wear protective gloves.**
3. **Before installing the battery cartridge, inspect the tool for damages, loose screws/nuts or improper assembly. Sharpen blunt cutter blade. If the cutter blade is bent or damaged, replace it. Check all control levers and switches for easy action. Clean and dry the handles.**
4. **Never attempt to switch on the tool if it is damaged or not fully assembled. Otherwise serious injury may result.**
5. **Adjust the shoulder harness and hand grip to suit the operator's body size.**
6. **When inserting a battery cartridge, keep the cutting attachment clear of your body and other object, including the ground.** It may rotate when starting and may cause injury or damage to the tool and/or property.
7. **Remove any adjusting key, wrench or blade cover before turning the tool on.** An accessory left attached to a rotating part of the tool may result in personal injury.
8. **The cutting tool has to be equipped with the guard. Never run the tool with damaged guards or without guards in place!**
9. **Make sure there are no electrical cables, water pipes, gas pipes etc. that could cause a hazard if damaged by use of the tool.**

## Operation

1. **In the event of an emergency, switch off the tool immediately.**
2. **If you feel any unusual condition (e.g. noise, vibration) during operation, switch off the tool and remove the battery cartridge. Do not use the tool until the cause is recognized and solved.**
3. **The cutting attachment continues to rotate for a short period after turning the tool off. Don't rush to contact the cutting attachment.**
4. **During operation, use the shoulder harness. Keep the tool on your right side firmly.**
5. **Do not overreach. Keep proper footing and balance at all times. Watch for hidden obstacles such as tree stumps, roots and ditches to avoid stumbling.**
6. **Always be sure of your footing on slopes.**
7. **Walk, never run.**
8. **Never work on a ladder or tree to avoid loss of control.**
9. **If the tool gets heavy impact or fall, check the condition before continuing work. Check the controls and safety devices for malfunction. If there is any damage or doubt, ask our authorized service center for the inspection and repair.**
10. **Take a rest to prevent loss of control caused by fatigue.** We recommend taking a 10 to 20-minute rest every hour.
11. **When you leave the tool, even if it is a short time, always remove the battery cartridge.** The unattended tool with the battery cartridge installed may be used by unauthorized person and cause serious accident.

12. **If grass or branches get caught between the cutting attachment and guard, always turn the tool off and remove the battery cartridge before cleaning.** Otherwise the cutting attachment may rotate unintentionally and cause serious injury.
13. **Never touch moving hazardous parts before the moving hazardous parts have come to a complete stop and the battery cartridge is removed.**
14. **If the cutting attachment hits stones or other hard objects, immediately turn the tool off. Then remove the battery cartridge and inspect the cutting attachment.**
15. **Check the cutting attachment frequently during operation for cracks or damages. Before the inspection, remove the battery cartridge and wait until the cutting attachment stops completely. Replace damaged cutting attachment immediately, even if it has only superficial cracks.**
16. **Never cut above waist height.**
17. **Before starting the cutting operation, wait until the cutting attachment reaches a constant speed after turning the tool on.**
18. **When using a cutting blade, swing the tool evenly in half-circle from right to left, like using a scythe.**
19. **Hold the tool by insulated gripping surfaces only, because the cutter blade may contact hidden wiring. Cutter blades contacting a "live" wire may make exposed metal parts of the tool "live" and could give the operator an electric shock.**
20. **Do not start the tool when the cutting tool is tangled with cut grass.**
21. **Before starting the tool, be sure that the cutting tool is not touching the ground and other obstacles such as a tree.**
22. **During operation always hold the tool with both hands. Never hold the tool with one hand during use.**
23. **Do not operate the tool in bad weather or if there is a risk of lightning.**
6. **When using cutting blades, avoid kickback and always prepare for an accidental kickback. See the section for Kickback.**
7. **When not in use, attach the blade cover onto the blade. Remove the cover before operation.**

## Kickback (Blade thrust)

1. **Kickback (blade thrust) is a sudden reaction to a caught or bound cutting blade. Once it occurs, the tool is thrown sideways or toward the operator at great force and it may cause serious injury.**
2. **Kickback occurs particularly when applying the blade segment between 12 and 2 o'clock to solids, bushes and trees with 3 cm or larger diameter.**

### ► Fig.2

3. **To avoid kickback:**
  1. **Apply the segment between 8 and 11 o'clock.**
  2. **Never apply the segment between 12 and 2 o'clock.**
  3. **Never apply the segment between 11 and 12 o'clock and between 2 and 5 o'clock, unless the operator is well trained and experienced and does it at his/her own risk.**
  4. **Never use cutting blades close to solids, such as fences, walls, tree trunks and stones.**
  5. **Never use cutting blades vertically, for such operations as edging and trimming hedges.**

### ► Fig.3

## Vibration

1. **People with poor circulation who are exposed to excessive vibration may experience injury to blood vessels or the nervous system.** Vibration may cause the following symptoms to occur in the fingers, hands or wrists: "Falling asleep" (numbness), tingling, pain, stabbing sensation, alteration of skin color or of the skin. If any of these symptoms occur, see a physician!
2. **To reduce the risk of "white finger disease", keep your hands warm during operation and well maintain the tool and accessories.**

## Transport

1. **Before transporting the tool, turn it off and remove the battery cartridge. Attach the cover to the cutting blade.**
2. **When transporting the tool, carry it in a horizontal position by holding the shaft.**
3. **When transporting the tool in a vehicle, properly secure it to avoid turnover. Otherwise damage to the tool and other baggage may result.**

## Maintenance

1. **Have your tool serviced by our authorized service center, always using only genuine replacement parts.** Incorrect repair and poor maintenance can shorten the life of the tool and increase the risk of accidents.

## Cutting tools

1. **Do not use a cutting tool which is not recommended by us.**
2. **Use an applicable cutting attachment for the job in hand.**
  - Nylon cutting heads (string trimmer heads) and plastic blades are suitable for trimming lawn grass.
  - Cutting blades are suitable for cutting weeds, high grasses, bushes, shrubs, underwood, thicket, and the like.
  - Never use other blades including metal multi-piece pivoting chains and flail blades. It may result in serious injury.
3. **Only use the cutting tool that are marked with a speed equal or higher than the speed marked on the tool.**
4. **Always keep your hands, face, and clothes away from the cutting tool when it is rotating.** Failure to do so may cause personal injury.
5. **Always use the cutting attachment guard properly suited for the cutting attachment used.**

2. **Before doing any maintenance or repair work or cleaning the tool, always turn it off and remove the battery cartridge.**
  3. **Always wear protective gloves when handling the cutting blade.**
  4. **Always clean dust and dirt off the tool. Never use gasoline, benzene, thinner, alcohol or the like for the purpose.** Discoloration, deformation or cracks of the plastic components may result.
  5. **After each use, tighten all screws and nuts.**
  6. **Do not attempt any maintenance or repair not described in the instruction manual. Ask our authorized service center for such work.**
  7. **Always use our genuine spare parts and accessories only.** Using parts or accessories supplied by a third party may result in the tool breakdown, property damage and/or serious injury.
  8. **Request our authorized service center to inspect and maintain the tool at regular interval.**
  9. **Always keep the tool in good working condition.** Poor maintenance can result in inferior performance and shorten the life of the tool.
5. **Do not short the battery cartridge:**
    - (1) **Do not touch the terminals with any conductive material.**
    - (2) **Avoid storing battery cartridge in a container with other metal objects such as nails, coins, etc.**
    - (3) **Do not expose battery cartridge to water or rain.**

**A battery short can cause a large current flow, overheating, possible burns and even a breakdown.**
  6. **Do not store the tool and battery cartridge in locations where the temperature may reach or exceed 50 °C (122 °F).**
  7. **Do not incinerate the battery cartridge even if it is severely damaged or is completely worn out. The battery cartridge can explode in a fire.**
  8. **Be careful not to drop or strike battery.**
  9. **Do not use a damaged battery.**
  10. **The contained lithium-ion batteries are subject to the Dangerous Goods Legislation requirements.** For commercial transports e.g. by third parties, forwarding agents, special requirement on packaging and labeling must be observed. For preparation of the item being shipped, consulting an expert for hazardous material is required. Please also observe possibly more detailed national regulations. Tape or mask off open contacts and pack up the battery in such a manner that it cannot move around in the packaging.
  11. **When disposing the battery cartridge, remove it from the tool and dispose of it in a safe place. Follow your local regulations relating to disposal of battery.**
  12. **Use the batteries only with the products specified by Makita.** Installing the batteries to non-compliant products may result in a fire, excessive heat, explosion, or leak of electrolyte.
  13. **If the tool is not used for a long period of time, the battery must be removed from the tool.**

## Storage

1. **Before storing the tool, perform full cleaning and maintenance. Remove the battery cartridge. Attach the cover to the cutting blade.**
2. **Store the tool in a dry and high or locked location out of reach of children.**
3. **Do not prop the tool against something, such as a wall. Otherwise it may fall suddenly and cause an injury.**

## First aid

1. **Always have a first-aid kit close by. Immediately replace any item taken from the first aid kit.**
2. **When asking for help, give the following information:**
  - Place of the accident
  - What happened
  - Number of injured persons
  - Nature of the injury
  - Your name

## Important safety instructions for battery cartridge

1. **Before using battery cartridge, read all instructions and cautionary markings on (1) battery charger, (2) battery, and (3) product using battery.**
2. **Do not disassemble battery cartridge.**
3. **If operating time has become excessively shorter, stop operating immediately. It may result in a risk of overheating, possible burns and even an explosion.**
4. **If electrolyte gets into your eyes, rinse them out with clear water and seek medical attention right away. It may result in loss of your eyesight.**

## SAVE THESE INSTRUCTIONS.

**⚠ CAUTION:** Only use genuine Makita batteries. Use of non-genuine Makita batteries, or batteries that have been altered, may result in the battery bursting causing fires, personal injury and damage. It will also void the Makita warranty for the Makita tool and charger.

## Tips for maintaining maximum battery life

1. **Charge the battery cartridge before completely discharged. Always stop tool operation and charge the battery cartridge when you notice less tool power.**
2. **Never recharge a fully charged battery cartridge. Overcharging shortens the battery service life.**
3. **Charge the battery cartridge with room temperature at 10 °C - 40 °C (50 °F - 104 °F). Let a hot battery cartridge cool down before charging it.**
4. **Charge the battery cartridge if you do not use it for a long period (more than six months).**

# PARTS DESCRIPTION

► Fig.4

1	Speed indicator	2	ADT indicator (ADT = Automatic Torque Drive Technology)	3	Caution lamp	4	Main power button
5	Reverse button	6	Battery cartridge	7	Lock-off lever	8	Switch trigger
9	Hanger	10	Handle	11	Barrier (country specific)	12	Protector
13	Lock lever (DUR191U and DUR191L only)	14	Joint cover (DUR191U and DUR191L only)	15	Cap (DUR191U and DUR191L only)	16	Shoulder harness

## FUNCTIONAL DESCRIPTION

**⚠ WARNING:** Always be sure that the tool is switched off and the battery cartridge is removed before adjusting or checking function on the tool. Failure to switch off and remove the battery cartridge may result in serious personal injury from accidental start-up.

### Installing or removing battery cartridge

**⚠ CAUTION:** Always switch off the tool before installing or removing of the battery cartridge.

**⚠ CAUTION:** Hold the tool and the battery cartridge firmly when installing or removing battery cartridge. Failure to hold the tool and the battery cartridge firmly may cause them to slip off your hands and result in damage to the tool and battery cartridge and a personal injury.

► Fig.5: 1. Red indicator 2. Button 3. Battery cartridge

To remove the battery cartridge, slide it from the tool while sliding the button on the front of the cartridge.

To install the battery cartridge, align the tongue on the battery cartridge with the groove in the housing and slip it into place. Insert it all the way until it locks in place with a little click. If you can see the red indicator on the upper side of the button, it is not locked completely.

**⚠ CAUTION:** Always install the battery cartridge fully until the red indicator cannot be seen. If not, it may accidentally fall out of the tool, causing injury to you or someone around you.

**⚠ CAUTION:** Do not install the battery cartridge forcibly. If the cartridge does not slide in easily, it is not being inserted correctly.

## Tool / battery protection system

The tool is equipped with a tool/battery protection system. This system automatically cuts off power to the motor to extend tool and battery life. The tool will automatically stop during operation if the tool is placed under one of the following conditions:

Caution lamp			Status
Color	● On	ⓘ Blinking	
Red	ⓘ		Overload
Red	●		Overheat
Red		ⓘ	Over discharge

### Overload protection

If the tool gets into one of the following situation, the tool automatically stops and the caution lamp starts blinking in red:

- The tool is overloaded by entangled weeds or other debris.
- The cutting tool is locked or kicked back.
- The main power button is turned on while the switch trigger is being pulled.

In this situation, release the switch trigger and remove entangled weeds or debris if necessary. After that, pull the switch trigger again to resume.

**⚠ CAUTION:** If you need to remove the entangled weeds on the tool or release the locked cutting tool, be sure to turn the tool off before you start.

### Overheat protection for tool or battery

If the tool or battery cartridge is overheated, the tool stops automatically. When the tool or battery cartridge is overheated, the speed indicator and ADT indicator go off and the caution lamp lights up in red. Let the tool and/or battery cool down before turning the tool on again.

### Overdischarge protection

When the battery capacity becomes low, the tool stops automatically. The speed indicator and ADT indicator go off and the caution lamp starts blinking in red.

If the tool does not operate even when the switches are operated, remove the battery cartridge from the tool and charge it.



## Indicating the remaining battery capacity

Only for battery cartridges with the indicator

► Fig.6: 1. Indicator lamps 2. Check button

Press the check button on the battery cartridge to indicate the remaining battery capacity. The indicator lamps light up for a few seconds.

Indicator lamps			Remaining capacity
Lighted	Off	Blinking	
			75% to 100%
			50% to 75%
			25% to 50%
			0% to 25%
			Charge the battery.
			The battery may have malfunctioned.

**NOTE:** Depending on the conditions of use and the ambient temperature, the indication may differ slightly from the actual capacity.

## Main power switch

Tap the main power button to turn on the tool.

To turn off the tool, press and hold the main power button until the speed indicator goes off.

► Fig.7: 1. Speed indicator 2. Main power button

**NOTE:** The tool will automatically turned off if it is left without any operations for a certain period of time.

## Switch action

**⚠ WARNING:** Before installing the battery cartridge on the tool, always check to see that the switch trigger actuates properly and returns to the "OFF" position when released. Operating a tool with a switch that does not actuate properly can lead to loss of control and serious personal injury.

**⚠ CAUTION:** Never put your finger on the switch when carrying. The tool may start unintentionally and cause injury.

To prevent the switch trigger from being accidentally pulled, a lock-off lever is provided.

To start the tool, grasp the handle (the lock-off lever is released by the grasp) and then pull the switch trigger.

To stop the tool, release the switch trigger.

**DUR190U and DUR191U**

► Fig.8: 1. Lock-off lever 2. Switch trigger

**DUR190L and DUR191L**

► Fig.9: 1. Lock-off lever 2. Switch trigger

**NOTE:** The tool is automatically turned off after the tool is left for a certain period without any operations.

## Speed adjusting

You can select the tool speed by tapping the main power button. Each time you tap the main power button, the level of speed will change.

► Fig.10: 1. Speed indicator 2. Main power button 3. ADT indicator

Speed indicator	Mode	Rotation speed
	ADT	3,500 - 6,000 min <sup>-1</sup>
3	High	6,000 min <sup>-1</sup>
2	Medium	5,100 min <sup>-1</sup>
1	Low	3,500 min <sup>-1</sup>

**NOTE:** When you set ADT (Automatic Torque Drive Technology), ADT indicator turns on and the tool runs at optimum rotation speed and torque for the condition of grass being cut.

## Reverse button for debris removal

**⚠ WARNING:** Switch off the tool and remove the battery cartridge before you remove entangled weeds or debris which the reverse rotation function can not remove. Failure to switch off and remove the battery cartridge may result in serious personal injury from accidental start-up.

This tool has a reverse button to change the direction of rotation. It is only for removing weeds and debris entangled in the tool.

To reverse the rotation, tap the reverse button and pull the switch trigger while depressing the lock-off lever when the cutting tool is stopped. The speed indicators and ADT indicator start blinking, and the cutting tool rotates in reverse direction when you pull the switch trigger.

To return to regular rotation, release the trigger and wait until the cutting tool stops.

► Fig.11: 1. Speed indicator 2. ADT indicator 3. Reverse button

**NOTE:** During the reverse rotation, the tool operates only for a short period of time and then automatically stops.

**NOTE:** Once the tool is stopped, the rotation returns to regular direction when you start the tool again.

**NOTE:** If you tap the reverse button while the cutting tool is still rotating, the tool comes to stop and to be ready for reverse rotation.

## Electric brake

This tool is equipped with an electric brake. If the tool consistently fails to quickly stop after the switch trigger is released, have the tool serviced at our service center.

**⚠ CAUTION:** This brake system is not a substitute for the protector. Never use the tool without the protector. An unguarded cutting tool may result in serious personal injury.

## ASSEMBLY

**⚠ WARNING:** Always be sure that the tool is switched off and battery cartridge is removed before carrying out any work on the tool. Failure to switch off and remove the battery cartridge may result in serious personal injury from accidental start-up.

**⚠ WARNING:** Never start the tool unless it is completely assembled. Operation of the tool in a partially assembled state may result in serious personal injury from accidental start-up.

## Installing the handle

*For DUR190U and DUR191U only*

1. Insert the shaft of the handle into the grip. Align the screw hole in the grip with the one in the shaft. Tighten the screw securely.

► Fig.12: 1. Grip 2. Screw 3. Handle

2. Place handle between handle clamp and handle holder. Adjust the handle to an angle that provides a comfortable working position and then secure with hex socket head bolts.

► Fig.13: 1. Hex socket head bolt 2. Handle clamp 3. Handle holder

## Attaching the barrier

*For DUR190L and DUR191L (country specific)*

If the barrier is included in your model, attach it to the handle using the screw on the barrier.

► Fig.14: 1. Barrier 2. Screw

**⚠ CAUTION:** After assembling the barrier, do not remove it. The barrier works as a safety part to prevent you from contacting the cutting blade accidentally.

## Mounting the attachment pipe

*For DUR191U and DUR191L only*

Mount the attachment pipe to the power unit.

1. Turn the lever to the direction of the arrow shown in the figure.

► Fig.15: 1. Lever

2. Pull up the joint cover and insert the attachment pipe while aligning the protrusion on the pipe (cutting tool side) with the concave portion of the joint part.

► Fig.16: 1. Lock lever 2. Joint cover 3. Pipe

Make sure that the surface of the lock lever is parallel to the pipe.

3. Turn the lever to the direction of the arrow shown in the figure.

► Fig.17: 1. Lever

To remove the pipe, turn the lever to the direction of the arrow shown in the figure and pull the pipe out while pressing down the lock lever.

► Fig.18: 1. Lever 2. Lock lever 3. Pipe

## Installing the protector

**⚠ WARNING:** Never use the tool without the guard illustrated in place. Failure to do so can cause serious personal injury.

**⚠ CAUTION:** Take care not to injure yourself on the cutter for cutting the nylon cord.

Attach the protector to the clamp using bolts.

► Fig.19: 1. Clamp 2. Protector 3. Cutter

## Installing the cutting tool

**NOTE:** The type of the cutting tool(s) supplied as the standard accessory varies depending on the countries. The cutting tool is not included in some countries.

**NOTE:** Turn the tool upside down so that you can replace the cutting tool easily.

## Cutter blade

**⚠ CAUTION:** When handling a cutter blade, always wear gloves and put the blade cover on the blade.

**⚠ CAUTION:** The cutter blade must be well polished, and free of cracks or breakage. If the cutter blade hits a stone during operation, stop the tool and check the cutter blade immediately.

**⚠ CAUTION:** Always use the cutter blade with the diameter described in the section for specifications.

► Fig.20: 1. Nut 2. Cup 3. Clamp washer 4. Cutter blade 5. Spindle 6. Guard 7. Spindle lock button

1. Mount the cutter blade onto the guard so that the arrows on the cutter blade and protector are pointing in the same direction.

► Fig.21: 1. Arrow

2. Put the clamp washer and cup onto the cutter blade.

3. While holding down the spindle lock button, tighten the nut securely by the box wrench.

► Fig.22: 1. Spindle lock button 2. Box wrench 3. Loosen 4. Tighten

To remove the cutting blade, loosen the nut while holding down the spindle lock button.



## Nylon cutting head

**NOTICE:** Be sure to use genuine Makita nylon cutting head.

While holding down the spindle lock button, place the nylon cutting head onto the spindle and tighten it securely by hand.

► **Fig.23:** 1. Nylon cutting head 2. Spindle 3. Spindle lock button 4. Loosen 5. Tighten

To remove the nylon cutting head, loosen the nylon cutting head while holding down the spindle lock button.

## Plastic blade

**NOTICE:** Be sure to use genuine Makita plastic blade.

While holding down the spindle lock button, place the plastic blade onto the spindle and tighten it securely by hand.

► **Fig.24:** 1. Plastic blade 2. Spindle 3. Spindle lock button 4. Loosen 5. Tighten

To remove the plastic blade, loosen the plastic blade while holding down the spindle lock button.

**NOTE:** You can use the supplied hex wrench to install/remove the cutting tool. Insert the hex wrench to the hole as shown in the figure to lock the spindle.

► **Fig.25:** 1. Hex wrench 2. Hole

**CAUTION:** Always use the supplied wrenches to install/remove the cutting tool.

**CAUTION:** Be sure to remove the hex wrench inserted into the tool head after installing the cutting tool.

## Adjusting the handle/hanger position

Adjust the handle and hanger position to obtain comfortable handling of the tool.

**For DUR190U and DUR191U**

Adjust the handle/hanger position so that the tool comes within the range as shown below.

► **Fig.26**

1	The hanger position from the ground
2	The cutting tool position from the ground
3	The horizontal distance between the hanger and the unguarded part of the cutting tool

Loosen the hex socket head bolts on the bottom of the handle holder. Move the handle to a comfortable working position and then tighten the bolts.

► **Fig.27:** 1. Handle holder 2. Hex socket head bolt 3. Handle

Loosen the Hex socket head bolts on the hanger. Move the hanger to a comfortable working position and then tighten the bolts.

► **Fig.28:** 1. Hex socket head bolt 2. Hanger

**For DUR190L and DUR191L**

Loosen the hex socket head bolts on the handle. Move the handle to a comfortable working position and then tighten the bolts.

► **Fig.29:** 1. Hex socket head bolt 2. Handle

Loosen the hex socket head bolt on the hanger. Move the hanger to a comfortable working position and then tighten the bolt.

► **Fig.30:** 1. Hex socket head bolt 2. Hanger

## Hex wrench storage

When not in use, store the hex wrench as shown in the figure to keep it from being lost.

► **Fig.31:** 1. Hex wrench

**For DUR190L and DUR191L only**

► **Fig.32:** 1. Handle 2. Hex wrench

## OPERATION

### Attaching the shoulder harness

**CAUTION:** Always use the shoulder harness attached to the tool. Before operation, adjust the shoulder harness according to the user size to prevent fatigue.

**CAUTION:** Before operation, make sure that the shoulder harness is properly attached to the hanger on the tool.

Connect the hook of the shoulder harness to the hanger and put the shoulder harness on. Make sure that the tool is held securely by the shoulder harness.

**DUR190U and DUR191U**

► **Fig.33:** 1. Hook 2. Hanger

**DUR190L and DUR191L**

► **Fig.34:** 1. Hook 2. Hanger

### Detachment

The shoulder harness features a means of quick release.

**DUR190U and DUR191U**

► **Fig.35:** 1. Strip

Pull out the strip release the tool from the shoulder harness.

**DUR190L and DUR191L**

► **Fig.36:** 1. Buckle

Simply squeeze the sides of the buckle to release the tool from the shoulder harness.

## Correct handling of the tool

**⚠ WARNING:** Always position the tool on your right-hand side. Correct positioning of the tool allows for maximum control and will reduce the risk of serious personal injury caused by kickback.

**⚠ WARNING:** Be extremely careful to maintain control of the tool at all times. Do not allow the tool to be deflected toward you or anyone in the work vicinity. Failure to keep control of the tool could result in serious injury to the bystander and the operator.

**⚠ WARNING:** To avoid accident, leave more than 15m (50 ft) distance between operators when two or more operators work in one area. Also, arrange a person to observe the distance between operators. If someone or an animal enters the working area, immediately stop the operation.

**⚠ CAUTION:** If the cutting tool accidentally impacts a rock or hard object during operation, stop the tool and inspect for any damage. If the cutting tool is damaged, replace it immediately. Use of a damaged cutting tool may result in serious personal injury.

**⚠ CAUTION:** Remove the blade cover from the cutter blade when cutting the grass.

Correct positioning and handling allow optimum control and reduce the risk of injury caused by kickback.

**DUR190U and DUR191U**

► Fig.37

**DUR190L and DUR191L**

► Fig.38

**When using a nylon cutting head (bump & feed type)**

The nylon cutting head is a dual string trimmer head provided with a bump & feed mechanism.

To feed out the nylon cord, tap the cutting head against the ground while rotating.

► Fig.39: 1. Most effective cutting area

**NOTICE:** The bump feed will not operate properly if the nylon cutting head is not rotating.

**NOTE:** If the nylon cord does not feed out while tapping the head, rewind/replace the nylon cord by following the procedures in the section for the maintenance.

## MAINTENANCE

**⚠ WARNING:** Always be sure that the tool is switched off and battery cartridge is removed before attempting to perform inspection or maintenance on the tool. Failure to switch off and remove the battery cartridge may result in serious personal injury from accidental start-up.

**NOTICE:** Never use gasoline, benzine, thinner, alcohol or the like. Discoloration, deformation or cracks may result.

To maintain product SAFETY and RELIABILITY, repairs, any other maintenance or adjustment should be performed by Makita Authorized or Factory Service Centers, always using Makita replacement parts.

## Replacing the nylon cord

**⚠ WARNING:** Use only the nylon cord with diameter specified in this instruction manual. Never use heavier line, metal wire, rope or the like. Failure to do so may cause damage to the tool and result in serious personal injury.

**⚠ WARNING:** Always remove the nylon cutting head from the tool when replacing the nylon cord.

**⚠ WARNING:** Make sure that the cover of the nylon cutting head is secured to the housing properly as described in this instruction manual. Failure to properly secure the cover may cause the nylon cutting head to fly apart resulting in serious personal injury.

Replace the nylon cord if it is not fed any more. The method of replacing the nylon cord varies depending on the type of the nylon cutting head.

## 95-M10L

► Fig.40

## Replacing the plastic blade

Replace the plastic blade if it is worn out or broken.

► Fig.41

When installing the plastic blade, align the direction of the arrow on the blade with that of the protector.

► Fig.42: 1. Arrow on the protector 2. Arrow on the blade

# TROUBLESHOOTING

Before asking for repairs, conduct your own inspection first. If you find a problem that is not explained in the manual, do not attempt to dismantle the tool. Instead, ask Makita Authorized Service Centers, always using Makita replacement parts for repairs.

State of abnormality	Probable cause (malfunction)	Remedy
Motor does not run.	Battery cartridge is not installed.	Install the battery cartridge.
	Battery problem (under voltage)	Recharge the battery. If recharging is not effective, replace battery.
	The drive system does not work correctly.	Ask your local authorized service center for repair.
Motor stops running after a little use.	Battery's charge level is low.	Recharge the battery. If recharging is not effective, replace battery.
	Overheating.	Stop using of tool to allow it to cool down.
It does not reach maximum RPM.	Battery is installed improperly.	Install the battery cartridge as described in this manual.
	Battery power is dropping.	Recharge the battery. If recharging is not effective, replace battery.
	The drive system does not work correctly.	Ask your local authorized service center for repair.
Cutting tool does not rotate: ⇒ stop the machine immediately!	Foreign object such as a branch is jammed between the guard and the cutting tool.	Remove the foreign object.
	The drive system does not work correctly.	Ask your local authorized service center for repair.
Abnormal vibration: ⇒ stop the machine immediately!	One end of the nylon cord has been broken.	Tap the nylon cutting head against the ground while it is rotating to cause the cord to feed.
	The drive system does not work correctly.	Ask your local authorized service center for repair.
Cutting tool and motor cannot stop: ⇒ Remove the battery immediately!	Electric or electronic malfunction.	Remove the battery and ask your local authorized service center for repair.

## OPTIONAL ACCESSORIES

**⚠WARNING:** Only use the recommended accessories or attachments indicated in this manual. The use of any other accessory or attachment may result in serious personal injury.

**⚠CAUTION:** These accessories or attachments are recommended for use with your Makita tool specified in this manual. The use of any other accessories or attachments might present a risk of injury to persons. Only use accessory or attachment for its stated purpose.

If you need any assistance for more details regarding these accessories, ask your local Makita Service Center.

- Cutter blade
- Nylon cutting head
- Nylon cord (cutting line)
- Plastic blade
- Makita genuine battery and charger

**NOTE:** Some items in the list may be included in the tool package as standard accessories. They may differ from country to country.

## SPÉCIFICATIONS

Modèle :	DUR190U	DUR190L	DUR191U	DUR191L
Type de poignée	Poignée guidon	Poignée arceau	Poignée guidon	Poignée arceau
Vitesse à vide	3 : 6 000 min <sup>-1</sup> 2 : 5 100 min <sup>-1</sup> 1 : 3 500 min <sup>-1</sup>			
Longueur totale (sans outil de coupe)	1 775 mm			
Diamètre du cordon en nylon	2,0 - 2,4 mm			
Outil de coupe applicable et diamètre de coupe	Lame à 3 dents (P/N 191J34-5)	230 mm		
	Lame à 4 dents (P/N 729025-2)	230 mm		
	Tête de coupe à fil nylon (P/N 126674-0)	300 mm		
	Lame en plastique (P/N 126642-3)	230 mm		
Tension nominale	18 V CC			
Poids net	3,1 - 3,4 kg	2,9 - 3,2 kg	3,4 - 3,7 kg	3,2 - 3,5 kg

- Étant donné l'évolution constante de notre programme de recherche et de développement, les spécifications contenues dans ce manuel sont sujettes à modification sans préavis.
- Les spécifications peuvent varier suivant les pays.
- Le poids peut être différent selon les accessoires, notamment la batterie. Les associations la plus légère et la plus lourde, conformément à la procédure EPTA 01/2014, sont indiquées dans le tableau.

### Batterie et chargeur applicables

Batterie	BL1815N / BL1820 / BL1820B / BL1830 / BL1830B / BL1840 / BL1840B / BL1850 / BL1850B / BL1860B
Chargeur	DC18RC / DC18RD / DC18RE / DC18SD / DC18SE / DC18SF / DC18SH

- Certains chargeurs et batteries répertoriés ci-dessus peuvent ne pas être disponibles selon la région où vous résidez.

**⚠ AVERTISSEMENT : N'utilisez que les batteries et les chargeurs répertoriés ci-dessus.** L'utilisation d'autres batteries et chargeurs peut provoquer des blessures et/ou un incendie.

### Adaptateur de batterie recommandé

Adaptateur de Batterie	PDC01
------------------------	-------

- Le ou les adaptateurs de batterie répertoriés ci-dessus peuvent ne pas être disponibles selon la région où vous résidez.
- Avant d'utiliser l'adaptateur de batterie, lisez les instructions et les avertissements inscrits sur l'adaptateur de batterie.

## Modèle DUR190U

Outil de coupe	Niveau de pression sonore ( $L_{pA}$ ) dB(A)		Niveau de puissance sonore ( $L_{wA}$ ) dB(A)		Norme applicable
	$L_{pA}$ dB(A)	Incertitude (K) dB(A)	$L_{wA}$ dB(A)	Incertitude (K) dB(A)	
Lame à 4 dents	77,0	3,9	91,6	2,4	ISO22868 (ISO11806-1)
Tête de coupe à fil nylon	74,0	1,9	87,1	0,9	ISO22868 (ISO11806-1)/ EN50636-2-91
Lame en plastique	75,6	1,3	85,9	2,1	ISO22868 (ISO11806-1)/ EN50636-2-91

## Modèle DUR190L

Outil de coupe	Niveau de pression sonore ( $L_{pA}$ ) dB(A)		Niveau de puissance sonore ( $L_{wA}$ ) dB(A)		Norme applicable
	$L_{pA}$ dB(A)	Incertitude (K) dB(A)	$L_{wA}$ dB(A)	Incertitude (K) dB(A)	
Lame à 4 dents	77,0	3,9	91,6	2,4	ISO22868 (ISO11806-1)
Tête de coupe à fil nylon	74,0	1,9	87,1	0,9	ISO22868 (ISO11806-1)/ EN50636-2-91
Lame en plastique	75,6	1,3	85,9	2,1	ISO22868 (ISO11806-1)/ EN50636-2-91

## Modèle DUR191U

Outil de coupe	Niveau de pression sonore ( $L_{pA}$ ) dB(A)		Niveau de puissance sonore ( $L_{wA}$ ) dB(A)		Norme applicable
	$L_{pA}$ dB(A)	Incertitude (K) dB(A)	$L_{wA}$ dB(A)	Incertitude (K) dB(A)	
Lame à 4 dents	77,0	3,9	91,6	2,4	ISO22868 (ISO11806-1)
Tête de coupe à fil nylon	74,0	1,9	87,1	0,9	ISO22868 (ISO11806-1)/ EN50636-2-91
Lame en plastique	75,6	1,3	85,9	2,1	ISO22868 (ISO11806-1)/ EN50636-2-91

## Modèle DUR191L

Outil de coupe	Niveau de pression sonore ( $L_{pA}$ ) dB(A)		Niveau de puissance sonore ( $L_{wA}$ ) dB(A)		Norme applicable
	$L_{pA}$ dB(A)	Incertitude (K) dB(A)	$L_{wA}$ dB(A)	Incertitude (K) dB(A)	
Lame à 4 dents	77,0	3,9	91,6	2,4	ISO22868 (ISO11806-1)
Tête de coupe à fil nylon	74,0	1,9	87,1	0,9	ISO22868 (ISO11806-1)/ EN50636-2-91
Lame en plastique	75,6	1,3	85,9	2,1	ISO22868 (ISO11806-1)/ EN50636-2-91

- Même si le niveau de pression sonore indiqué ci-dessus est inférieur ou égal à 80 dB (A), le niveau en fonctionnement peut dépasser 80 dB (A). Portez un serre-tête antibruit.

**NOTE** : La ou les valeurs d'émission de bruit déclarées ont été mesurées conformément à la méthode de test standard et peuvent être utilisées pour comparer les outils entre eux.

**NOTE** : La ou les valeurs d'émission de bruit déclarées peuvent aussi être utilisées pour l'évaluation préliminaire de l'exposition.

**⚠️ AVERTISSEMENT** : Portez un serre-tête antibruit.

**⚠️ AVERTISSEMENT** : L'émission de bruit lors de l'usage réel de l'outil électrique peut être différente de la ou des valeurs déclarées, suivant la façon dont l'outil est utilisé, particulièrement selon le type de pièce usinée.

**⚠️ AVERTISSEMENT** : Les mesures de sécurité à prendre pour protéger l'utilisateur doivent être basées sur une estimation de l'exposition dans des conditions réelles d'utilisation (en tenant compte de toutes les composantes du cycle d'utilisation, comme par exemple le moment de sa mise hors tension, lorsqu'il tourne à vide et le moment de son déclenchement).

## Vibration

### Modèle DUR190U

Outil de coupe	Main gauche		Main droite		Norme applicable
	$a_{h,w}$ (m/s <sup>2</sup> )	Incertitude K (m/s <sup>2</sup> )	$a_{h,w}$ (m/s <sup>2</sup> )	Incertitude K (m/s <sup>2</sup> )	
Lame à 4 dents	≤ 2,5	1,5	≤ 2,5	1,5	ISO22867 (ISO11806-1)
Tête de coupe à fil nylon	≤ 2,5	1,5	≤ 2,5	1,5	ISO22867 (ISO11806-1)
Lame en plastique	≤ 2,5	1,5	≤ 2,5	1,5	ISO22867 (ISO11806-1)

### Modèle DUR190L

Outil de coupe	Main gauche		Main droite		Norme applicable
	$a_{h,w}$ (m/s <sup>2</sup> )	Incertitude K (m/s <sup>2</sup> )	$a_{h,w}$ (m/s <sup>2</sup> )	Incertitude K (m/s <sup>2</sup> )	
Lame à 4 dents	≤ 2,5	1,5	≤ 2,5	1,5	ISO22867 (ISO11806-1)
Tête de coupe à fil nylon	≤ 2,5	1,5	≤ 2,5	1,5	ISO22867 (ISO11806-1)
Lame en plastique	≤ 2,5	1,5	≤ 2,5	1,5	ISO22867 (ISO11806-1)

### Modèle DUR191U

Outil de coupe	Main gauche		Main droite		Norme applicable
	$a_{h,w}$ (m/s <sup>2</sup> )	Incertitude K (m/s <sup>2</sup> )	$a_{h,w}$ (m/s <sup>2</sup> )	Incertitude K (m/s <sup>2</sup> )	
Lame à 4 dents	≤ 2,5	1,5	≤ 2,5	1,5	ISO22867 (ISO11806-1)
Tête de coupe à fil nylon	≤ 2,5	1,5	≤ 2,5	1,5	ISO22867 (ISO11806-1)
Lame en plastique	≤ 2,5	1,5	≤ 2,5	1,5	ISO22867 (ISO11806-1)

### Modèle DUR191L

Outil de coupe	Main gauche		Main droite		Norme applicable
	$a_{h,w}$ (m/s <sup>2</sup> )	Incertitude K (m/s <sup>2</sup> )	$a_{h,w}$ (m/s <sup>2</sup> )	Incertitude K (m/s <sup>2</sup> )	
Lame à 4 dents	≤ 2,5	1,5	≤ 2,5	1,5	ISO22867 (ISO11806-1)
Tête de coupe à fil nylon	≤ 2,5	1,5	≤ 2,5	1,5	ISO22867 (ISO11806-1)
Lame en plastique	≤ 2,5	1,5	≤ 2,5	1,5	ISO22867 (ISO11806-1)

**NOTE** : La ou les valeurs de vibration totales déclarées ont été mesurées conformément à la méthode de test standard et peuvent être utilisées pour comparer les outils entre eux.

**NOTE** : La ou les valeurs de vibration totales déclarées peuvent aussi être utilisées pour l'évaluation préliminaire de l'exposition.

**⚠ AVERTISSEMENT** : L'émission de vibrations lors de l'usage réel de l'outil électrique peut être différente de la ou des valeurs déclarées, suivant la façon dont l'outil est utilisé, particulièrement selon le type de pièce usinée.

**⚠ AVERTISSEMENT** : Les mesures de sécurité à prendre pour protéger l'utilisateur doivent être basées sur une estimation de l'exposition dans des conditions réelles d'utilisation (en tenant compte de toutes les composantes du cycle d'utilisation, comme par exemple le moment de sa mise hors tension, lorsqu'il tourne à vide et le moment de son déclenchement).

## Symboles

Vous trouverez ci-dessous les symboles utilisés pour l'appareil. Veuillez à comprendre leur signification avant toute utilisation.



Veuillez être prudent et rester attentif.



Lire le mode d'emploi.



Maintenez une distance d'au moins 15 m.



Danger ; prendre garde aux projections d'objets.



Attention ; recul



Portez un casque, des lunettes à coques et un serre-tête antibruit.



Portez des gants de protection.



Portez des bottes robustes à semelles antidérapantes. Il est conseillé de porter des chaussures avec embout de sécurité.



Ne pas exposer à l'eau.



Uniquement pour les pays européens  
Ne jetez pas les appareils électriques ou les batteries avec vos ordures ménagères ! Conformément aux directives européennes relatives aux déchets d'équipements électriques et électroniques et aux piles et accumulateurs ainsi qu'aux déchets de piles et d'accumulateurs et leur mise en œuvre conformément aux lois nationales, les équipements électriques et les piles et batteries en fin de vie doivent faire l'objet d'une collecte sélective et être confiés à une usine de recyclage respectueuse de l'environnement.

## Déclaration de conformité CE

**Pour les pays européens uniquement**

La déclaration de conformité CE est fournie en Annexe A à ce mode d'emploi.

## CONSIGNES DE SÉCURITÉ

### Consignes de sécurité générales pour outils électriques

**⚠ AVERTISSEMENT** : Veuillez lire les consignes de sécurité, instructions, illustrations et spécifications qui accompagnent cet outil électrique. Le non-respect de toutes les instructions indiquées ci-dessous peut entraîner une électrocution, un incendie et/ou de graves blessures.

### Conservez toutes les mises en garde et instructions pour référence ultérieure.

Le terme « outil électrique » dans les avertissements fait référence à l'outil électrique alimenté par le secteur (avec cordon d'alimentation) ou à l'outil électrique fonctionnant sur batterie (sans cordon d'alimentation).

### Consignes de sécurité importantes pour l'outil

**⚠ AVERTISSEMENT** : Lisez toutes les consignes de sécurité et toutes les instructions. Il y a risque d'électrocution, d'incendie et/ou de graves blessures si les mises en garde et les instructions ne sont pas respectées.

### Conservez toutes les mises en garde et instructions pour référence ultérieure.

#### Utilisations prévues

1. Cet outil est exclusivement conçu pour couper l'herbe, les mauvaises herbes, les buissons et les broussailles. Il ne doit pas être utilisé à d'autres fins, pour le dressage de bordures ou la taille de haies, par exemple, sous peine de provoquer des blessures.

## Généralités

1. Ne laissez jamais des personnes qui ne sont pas familiarisées avec ces instructions, des personnes (y compris les enfants) aux facultés physiques, sensorielles ou mentales diminuées ou sans expérience ni expertise utiliser l'outil. Les enfants doivent être sous la surveillance d'un adulte afin de s'assurer qu'ils ne jouent pas avec l'outil.
2. Avant de démarrer l'outil, lisez ce manuel pour vous familiariser avec le maniement de l'outil.
3. Ne prêtez pas l'outil à une personne ayant une expérience ou une expertise insuffisante en matière de maniement de débroussailleuses et de coupe-herbes.
4. Lorsque vous prêtez l'outil, joignez toujours ce mode d'emploi.
5. Soyez toujours très prudent et attentif lorsque vous manipulez l'outil.
6. N'utilisez jamais l'outil sous l'emprise de l'alcool, de drogues ou de médicaments, ou si vous êtes fatigué ou malade.
7. N'essayez jamais de modifier l'outil.
8. Respectez la réglementation applicable au maniement des débroussailleuses et des coupe-herbes dans votre pays.

## Équipement de protection individuelle

► Fig.1

1. Portez un casque de sécurité, des lunettes à coques et des gants de protection pour vous protéger des projections de débris ou des chutes d'objets.
2. Portez des protections auditives comme des coquilles anti-bruit afin d'éviter une perte d'audition.
3. Portez des vêtements et des chaussures permettant une utilisation sécuritaire, comme une combinaison de travail et des chaussures robustes anti-dérapantes. Ne portez pas de vêtements amples ni de bijoux. Les pièces en mouvement peuvent happer les vêtements amples, les bijoux ou les cheveux longs.
4. Si vous touchez la lame de coupe, mettez des gants de protection. Les lames de coupe peuvent gravement couper les mains nues.

## Sécurité de l'aire de travail

1. Utilisez uniquement l'outil si vous avez une bonne visibilité et à la lumière du jour. N'utilisez pas l'outil dans l'obscurité ou le brouillard.
2. N'utilisez pas l'outil dans un environnement explosif, par exemple en présence de liquides, gaz ou poussières inflammables. L'outil produit des étincelles qui peuvent enflammer la poussière ou les émanations.
3. Pendant le fonctionnement, ne vous tenez jamais sur une surface instable ou glissante ou sur une pente abrupte. En hiver, faites attention au verglas et à la neige et assurez-vous toujours d'avoir une bonne assise.
4. Pendant le fonctionnement, éloignez les badauds ou les animaux d'au moins 15 m de l'outil. Arrêtez l'outil aussitôt que quelqu'un s'approche.

5. N'utilisez jamais l'outil en présence de personnes, particulièrement les enfants et animaux domestiques, à proximité.
6. Avant toute utilisation, examinez l'aire de travail pour vous assurer qu'elle ne présente pas de pierres ou d'autres objets durs. Ils peuvent être projetés ou provoquer un recul dangereux et entraîner de graves blessures et/ou des dommages matériels.
7. **⚠️ AVERTISSEMENT :** L'utilisation de ce produit peut créer de la poussière contenant des produits chimiques susceptibles de provoquer des maladies respiratoires ou autres. Parmi ces produits chimiques, on trouve des composés présents dans les pesticides, insecticides, fertilisants et herbicides. Les risques encourus varient suivant la fréquence d'exposition qu'implique votre travail. Pour réduire votre degré d'exposition à ces produits chimiques : travaillez dans une aire de travail bien aérée et en utilisant des dispositifs de sécurité approuvés, comme des masques anti-poussière spécialement conçus pour filtrer les particules microscopiques.

## Sécurité électrique et sécurité des batteries

1. N'exposez pas l'outil à la pluie ou à l'humidité. Le risque d'électrocution augmente si de l'eau pénètre dans l'outil.
2. N'utilisez pas l'outil s'il est impossible de l'allumer ou de l'éteindre avec l'interrupteur. Un outil qui ne peut être contrôlé par l'interrupteur représente un danger et doit être réparé.
3. Évitez les démarrages intempestifs. Assurez-vous que l'interrupteur est en position d'arrêt avant de mettre en place la batterie, de ramasser ou de transporter l'outil. Porter l'outil en ayant le doigt sur l'interrupteur ou le brancher alors que l'interrupteur est en position de marche est source d'accidents.
4. Ne jetez pas la ou les batteries au feu. L'élément de la pile pourrait exploser. Consultez les codes locaux pour de possibles instructions de mise au rebut spéciales.
5. N'ouvrez ni ne manipulez la ou les batteries. L'électrolyte qui s'échappe de la batterie est corrosif et peut irriter la peau ou les yeux. Il peut être toxique en cas d'ingestion.
6. Ne chargez pas la batterie sous la pluie ou dans un endroit mouillé.

## Mise en service

1. Avant de monter ou de régler l'outil, retirez la batterie.
2. Avant de manipuler la lame de coupe, mettez des gants de protection.
3. Avant de mettre en place la batterie, inspectez l'outil pour vous assurer qu'il n'est pas endommagé, mal assemblé ou que les vis/écrous sont desserrés. Affûtez la lame de coupe si elle est émoussée. Si la lame de coupe est tordue ou endommagée, remplacez-la. Vérifiez que tous les leviers de commande et les interrupteurs fonctionnent sans problème. Nettoyez et séchez les poignées.



4. **N'essayez jamais de mettre l'outil en marche s'il est endommagé ou pas entièrement assemblé.** Sinon, vous pourriez gravement vous blesser.
5. **Réglez la bandoulière et la poignée selon la corpulence de l'opérateur.**
6. **Lorsque vous insérez une batterie, éloignez l'accessoire de coupe de votre corps et d'autres objets, y compris le sol.** Il pourrait tourner au démarrage et provoquer des blessures ou des dommages matériels et/ou à l'outil.
7. **Retirez toute clé de réglage, clé ou couvercle avant de mettre l'outil sous tension.** Un accessoire laissé en place sur une pièce rotative de l'outil peut entraîner des blessures.
8. **Un carter de protection doit être installé sur l'outil de coupe. Ne faites jamais tourner l'outil si le carter de protection est endommagé ou n'est pas posé.**
9. **Assurez-vous qu'il n'y a pas de câbles électriques, de conduites d'eau, de conduites de gaz, etc., présentant un risque s'ils sont endommagés suite à l'utilisation de l'outil.**
12. **Si des herbes ou des branches se coincent entre l'accessoire de coupe et le carter de protection, éteignez toujours l'outil et retirez la batterie avant le nettoyage.** Sinon, l'accessoire de coupe peut tourner brusquement et provoquer de graves blessures.
13. **Ne touchez jamais les pièces dangereuses en mouvement avant qu'elles ne soient complètement arrêtées et que la batterie soit retirée.**
14. **Si l'accessoire de coupe heurte des pierres ou d'autres objets durs, éteignez immédiatement l'outil. Puis retirez la batterie et inspectez l'accessoire de coupe.**
15. **Vérifiez fréquemment pendant l'utilisation que l'accessoire de coupe ne présente pas de fissures ou de dégâts. Avant l'inspection, retirez la batterie et patientez jusqu'à ce que l'accessoire de coupe s'arrête complètement. Remplacez immédiatement l'accessoire de coupe s'il est abîmé, même s'il ne présente que des fissures superficielles.**
16. **Ne réalisez jamais de coupe plus haut que votre taille.**
17. **Avant de commencer à couper, patientez jusqu'à ce que l'accessoire de coupe atteigne une vitesse constante après la mise sous tension de l'outil.**

## Fonctionnement

1. En cas d'urgence, éteignez immédiatement l'outil.
2. **Si vous détectez une anomalie (par exemple, bruit ou vibration) en cours de fonctionnement, éteignez l'outil et retirez la batterie. N'utilisez pas l'outil tant que la cause n'est pas connue et résolue.**
3. **L'accessoire de coupe continue de tourner pendant un bref instant après la mise hors tension de l'outil. Ne vous précipitez pas pour toucher l'accessoire de coupe.**
4. **Pendant le fonctionnement, utilisez la bandoulière. Maintenez fermement l'outil contre vous du côté droit.**
5. **Ne vous penchez pas trop loin. Maintenez constamment une bonne assise et un bon équilibre. Soyez attentif aux obstacles cachés comme les souches d'arbre, racines ou fossés pour éviter de trébucher.**
6. **Assurez-vous toujours d'être en position stable dans les pentes.**
7. **Ne courez jamais ; marchez.**
8. **Ne travaillez jamais depuis une échelle ou un arbre pour éviter de perdre le contrôle.**
9. **Si l'outil subit un choc violent ou tombe, vérifiez son état avant de poursuivre la tâche. Vérifiez si les commandes et les dispositifs de sécurité fonctionnent correctement. En cas de dommage ou de doute, confiez l'inspection et la réparation à notre centre de service après-vente agréé.**
10. **Reposez-vous régulièrement pour empêcher la perte du contrôle due à la fatigue.** Nous recommandons de faire une pause de 10 à 20 minutes toutes les heures.
11. **Lorsque vous abandonnez l'outil, même pendant un court instant, retirez toujours la batterie.** Un outil sans surveillance avec la batterie en place peut être utilisé par une personne non autorisée et provoquer de graves accidents.
18. **Lorsque vous utilisez une lame de coupe, faites osciller de manière égale l'outil en demi-cercle de droite à gauche, comme si vous utilisiez une faux.**
19. **Tenez l'outil uniquement par ses surfaces de prise isolées, car la lame de coupe pourrait entrer en contact avec le câblage caché.** Le contact des lames de coupe avec un fil sous tension peut transmettre du courant dans les pièces métalliques exposées de l'outil et électrocuter l'utilisateur.
20. **Ne démarrez pas l'outil lorsque de l'herbe coupée est emmêlée dans l'outil de coupe.**
21. **Avant de démarrer l'outil, assurez-vous que l'outil de coupe ne touche pas le sol et d'autres obstacles comme un arbre.**
22. **Tenez toujours l'outil à deux mains pendant le fonctionnement. Ne tenez jamais l'outil d'une seule main pendant le fonctionnement.**
23. **N'utilisez pas l'outil par mauvais temps ou en cas d'orage.**

## Outils de coupe

1. **N'utilisez pas un outil de coupe non recommandé par nos soins.**
2. **Utilisez un accessoire de coupe adapté à la tâche.**
  - Les têtes de coupe à fil nylon (têtes de coupe-herbe) et les lames en plastique conviennent à la tonte de la pelouse.
  - Les lames de coupe conviennent à la coupe des mauvaises herbes, de l'herbe haute, des buissons, des arbrisseaux, des broussailles, des fourrés et autres.
  - N'utilisez jamais d'autres lames, notamment les chaînes pivotantes à plusieurs pièces en métal et les lames pour fléau. Cela pourrait entraîner des blessures graves.
3. **N'utilisez que les outils de coupe marqués d'une vitesse supérieure ou égale à la vitesse marquée sur l'outil.**
4. **Éloignez toujours vos mains, votre visage et vos vêtements de l'outil de coupe en rotation.** Vous risqueriez autrement de vous blesser.

- Utilisez toujours le carter de protection de l'accessoire de coupe prévu pour l'accessoire de coupe utilisé.
- Lorsque vous utilisez des lames de coupe, évitez le recul et préparez-vous toujours à un recul accidentel. Reportez-vous à la section Recul.
- Lorsque vous ne l'utilisez pas, fixez le couvercle sur la lame. Déposez le couvercle avant utilisation.

## Recul (rebond de la lame)

- Le recul (rebond de la lame) est une réaction soudaine d'une lame de coupe lorsqu'elle se coince ou accroche. En cas de recul, l'outil est projeté de côté ou vers l'utilisateur avec une grande force, ce qui peut entraîner de graves blessures.
- Le recul se produit particulièrement lorsque vous appliquez le segment de lame entre midi et 2 heures sur des objets durs, des buissons et des arbres d'un diamètre de plus de 3 cm.

### ► Fig.2

- Pour éviter le recul :
  - Appliquez le segment entre 8 et 11 heures.
  - N'appliquez jamais le segment entre midi et 2 heures.
  - N'appliquez jamais le segment entre 11 heures et midi et entre 2 et 5 heures, à moins que l'utilisateur soit bien formé et expérimenté et le fasse à ses propres risques.
  - N'utilisez jamais de lames de coupe près d'objets solides, comme des clôtures, murs, troncs d'arbre et pierres.
  - N'utilisez jamais de lames de coupe verticalement, pour des tâches comme le dressage de bordures et la taille des haies.

### ► Fig.3

## Vibration

- Les personnes ayant une mauvaise circulation du sang qui sont exposées à des vibrations excessives peuvent présenter des lésions des vaisseaux sanguins ou du système nerveux. Les vibrations peuvent être à l'origine des symptômes suivants dans les doigts, les mains ou les poignets : engourdissement, picotement, douleur, douleur lancinante, changement de couleur de la peau ou de la peau elle-même. Si un ou plusieurs de ces symptômes apparaissent, consultez un médecin !
- Pour réduire le risque du syndrome de Raynaud, gardez vos mains au chaud pendant l'utilisation et conservez en bon état l'outil et les accessoires.

## Transport

- Avant de transporter l'outil, éteignez-le et retirez la batterie. Fixez le couvercle sur la lame de coupe.
- Transportez l'outil à l'horizontale en le tenant par le manche.

- Lors du transport de l'outil dans un véhicule, fixez-le correctement pour éviter qu'il ne se retourne. Autrement, l'outil et d'autres bagages pourraient être endommagés.

## Entretien

- Confiez toujours votre outil à un centre de service après-vente agréé, qui n'utilise que des pièces de rechange d'origine. Une réparation incorrecte ou une mauvaise maintenance peuvent raccourcir la durée de service de l'outil et augmenter les risques d'accident.
- Avant de réaliser une tâche d'entretien ou de réparation ou le nettoyage de l'outil, éteignez-le toujours et retirez la batterie.
- Portez toujours des gants de protection pour manipuler la lame de coupe.
- Retirez toujours la poussière et la saleté de l'outil. N'utilisez jamais d'essence, benzine, diluant, alcool ou autre produit similaire à cet effet. Ils présentent un risque de décoloration, de déformation ou de fissuration des pièces en plastique.
- Après chaque utilisation, serrez toutes les vis et tous les écrous.
- N'essayez pas de procéder à un entretien ou une réparation non décrits dans ce manuel. Ces tâches doivent être effectuées par notre centre de service après-vente agréé.
- Utilisez toujours nos pièces de rechange et accessoires d'origine uniquement. L'utilisation de pièces ou accessoires fournis par un tiers peut entraîner la panne de l'outil, des dommages matériels et/ou corporels graves.
- Confiez régulièrement l'inspection et l'entretien de l'outil à notre centre de service après-vente agréé.
- Maintenez toujours l'outil en bon état de fonctionnement. Un entretien médiocre peut donner des performances inférieures et raccourcir la durée de vie de l'outil.

## Rangement

- Avant de ranger l'outil, procédez à un nettoyage et un entretien complets. Retirez la batterie. Fixez le couvercle sur la lame de coupe.
- Rangez l'outil dans un endroit sec en hauteur ou verrouillé hors de la portée des enfants.
- N'appuyez pas l'outil contre un mur, par exemple. Il risquerait de tomber brusquement et de provoquer des blessures.

## Premiers secours

- Ayez toujours une trousse de premiers secours à portée de main. Remplacez immédiatement tout article pris dans la trousse de premiers secours.
- Lorsque vous appelez les secours, fournissez les informations suivantes :
  - Le lieu de l'accident
  - Les circonstances de l'accident
  - Le nombre de personnes blessées
  - La nature de la blessure
  - Votre nom

## Consignes de sécurité importantes pour la batterie

1. Avant d'utiliser la batterie, lisez toutes les instructions et précautions relatives (1) au chargeur de batterie, (2) à la batterie, et (3) au produit utilisant la batterie.
2. Ne démontez pas la batterie.
3. Cessez immédiatement l'utilisation si le temps de fonctionnement devient excessivement court. Il y a risque de surchauffe, de brûlures, voire d'explosion.
4. Si l'électrolyte pénètre dans vos yeux, rincez-les à l'eau claire et consultez immédiatement un médecin. Il y a risque de perte de la vue.
5. Ne court-circuitez pas la batterie :
  - (1) Ne touchez les bornes avec aucun matériau conducteur.
  - (2) Évitez de ranger la batterie dans un conteneur avec d'autres objets métalliques, par exemple des clous, des pièces de monnaie, etc.
  - (3) N'exposez pas la batterie à l'eau ou à la pluie.

Un court-circuit de la batterie peut provoquer une intensité de courant élevée, une surchauffe, parfois des brûlures et même une panne.

6. Ne rangez pas l'outil et la batterie dans un endroit où la température risque d'atteindre ou de dépasser 50 °C.
7. Ne jetez pas la batterie au feu même si elle est sérieusement endommagée ou complètement épuisée. La batterie peut exploser au contact du feu.
8. Évitez de laisser tomber ou de cogner la batterie.
9. N'utilisez pas la batterie si elle est endommagée.
10. Les batteries au lithium-ion contenues sont soumises aux exigences de la législation sur les marchandises dangereuses.  
Lors du transport commercial par des tierces parties ou des transitaires par exemple, des exigences spécifiques en matière d'étiquetage et d'emballage doivent être respectées.

Pour la préparation de l'article expédié, il est nécessaire de consulter un expert en matériau dangereux. Veuillez également respecter les réglementations nationales susceptibles d'être plus détaillées. Recouvrez les contacts exposés avec du ruban adhésif ou du ruban de masquage et emballez la batterie de telle sorte qu'elle ne puisse pas bouger dans l'emballage.

11. Lors de la mise au rebut de la batterie, retirez-la de l'outil et jetez-la en lieu sûr. Suivez les réglementations locales en matière de mise au rebut des batteries.
12. Utilisez les batteries uniquement avec les produits spécifiés par Makita. L'insertion de batteries dans des produits non conformes peut provoquer un incendie, une chaleur excessive, une explosion ou une fuite de l'électrolyte.
13. Lorsque vous n'utilisez pas l'outil pendant une période prolongée, la batterie doit être retirée de l'outil.

## CONSERVEZ CES INSTRUCTIONS.

**⚠ ATTENTION : N'utilisez que des batteries Makita d'origine.** L'utilisation de batteries de marque autre que Makita ou de batteries modifiées peut provoquer l'explosion des batteries, ce qui présente un risque d'incendie, de dommages matériels et corporels. Cela annulera également la garantie Makita pour l'outil et le chargeur Makita.

## Conseils pour assurer la durée de vie optimale de la batterie

1. Chargez la batterie avant qu'elle ne soit complètement déchargée. Arrêtez toujours l'outil et rechargez la batterie quand vous remarquez que la puissance de l'outil diminue.
2. Ne rechargez jamais une batterie complètement chargée. La surcharge réduit la durée de service de la batterie.
3. Chargez la batterie à une température ambiante comprise entre 10 °C et 40 °C. Avant de charger une batterie chaude, laissez-la refroidir.
4. Rechargez la batterie si elle est restée inutilisée pendant une période prolongée (plus de six mois).

## DESCRIPTION DES PIÈCES

► Fig.4

1	Indicateur de vitesse	2	Témoin ADT (ADT = Automatic Torque Drive Technology (technologie de couple de traction automatique))	3	Témoin d'avertissement	4	Bouton d'alimentation principale
5	Bouton de marche arrière	6	Batterie	7	Levier de sécurité	8	Gâchette
9	Dispositif de suspension	10	Poignée	11	Barre de protection (selon le pays)	12	Protecteur
13	Levier de verrouillage (DUR191U et DUR191L uniquement)	14	Cache-jonction (DUR191U et DUR191L uniquement)	15	Capuchon (DUR191U et DUR191L uniquement)	16	Bandoulière

# DESCRIPTION DU FONCTIONNEMENT

**⚠️ AVERTISSEMENT :** Assurez-vous toujours que l'outil est hors tension et que la batterie est retirée avant de régler ou de vérifier le fonctionnement de l'outil. En ne mettant pas l'outil hors tension et en ne retirant pas la batterie, vous risqueriez de vous blesser grièvement en cas de démarrage accidentel.

## Insertion ou retrait de la batterie

**⚠️ ATTENTION :** Éteignez toujours l'outil avant de mettre en place ou de retirer la batterie.

**⚠️ ATTENTION :** Tenez fermement l'outil et la batterie lors de la mise en place ou du retrait de la batterie. Si vous ne tenez pas fermement l'outil et la batterie, ils peuvent vous glisser des mains, et s'abîmer ou vous blesser.

► Fig.5: 1. Voyant rouge 2. Bouton 3. Batterie

Pour retirer la batterie, faites-la glisser hors de l'outil tout en faisant glisser le bouton à l'avant de la batterie.

Pour mettre en place la batterie, alignez la languette sur la batterie avec la rainure sur le compartiment et insérez-la. Insérez-la à fond jusqu'à ce qu'un léger déclic se fasse entendre. Si le voyant rouge sur le dessus du bouton est visible, cela signifie qu'elle n'est pas bien verrouillée.

**⚠️ ATTENTION :** Insérez toujours complètement la batterie jusqu'à ce que le voyant rouge ne soit plus visible. Sinon, elle pourrait tomber accidentellement de l'outil, au risque de vous blesser ou de blesser quelqu'un se trouvant près de vous.

**⚠️ ATTENTION :** N'insérez pas la batterie de force. Si elle ne glisse pas facilement, c'est que vous ne l'insérez pas correctement.

## Système de protection de l'outil/la batterie

L'outil est équipé d'un système de protection de l'outil/la batterie. Ce système coupe automatiquement l'alimentation vers le moteur pour prolonger la durée de vie de l'outil et de la batterie. Si l'outil se trouve dans l'une des situations suivantes, l'outil cessera automatiquement de fonctionner :

Couleur	Témoin d'avertissement		État
	● Allumé	● Clignotant	
Rouge	●	●	Surcharge
Rouge	●	●	Surchauffe
Rouge	●	●	Décharge excessive

## Protection contre la surcharge

Si l'outil présente l'une des situations suivantes, il s'arrête automatiquement et le témoin d'avertissement se met à clignoter en rouge :

- L'outil est surchargé par un enchevêtrement de mauvaises herbes ou d'autres débris.
- L'outil de coupe est bloqué ou a reculé.
- Le bouton d'alimentation principale est activé pendant que la gâchette est enclenchée.

Dans cette situation, relâchez la gâchette et retirez l'enchevêtrement de mauvaises herbes ou des débris si nécessaire. Cela fait, enclenchez de nouveau la gâchette pour reprendre la tâche.

**⚠️ ATTENTION :** Si vous avez besoin de retirer l'enchevêtrement de mauvaises herbes sur l'outil ou de dégager un outil de coupe bloqué, veillez à éteindre l'outil avant de commencer.

## Protection contre la surchauffe de l'outil ou de la batterie

En cas de surchauffe de l'outil ou de la batterie, l'outil s'arrête automatiquement. En cas de surchauffe de l'outil ou de la batterie, l'indicateur de vitesse et le témoin ADT s'éteignent tandis que le témoin d'avertissement s'allume en rouge. Laissez l'outil et/ou la batterie refroidir avant de rallumer l'outil.

## Protection contre la décharge totale de la batterie

Lorsque la charge restante de la batterie devient très faible, l'outil s'arrête automatiquement. L'indicateur de vitesse et le témoin ADT s'éteignent, tandis que le témoin d'avertissement se met à clignoter en rouge. Si l'outil ne fonctionne pas même en actionnant les interrupteurs, retirez la batterie de l'outil et chargez-la.

## Indication de la charge restante de la batterie

**Uniquement pour les batteries avec voyant lumineux**

► Fig.6: 1. Témoins 2. Bouton de vérification

Appuyez sur le bouton de vérification sur la batterie pour indiquer la charge restante de la batterie. Les témoins s'allument pendant quelques secondes.

Témoins			Charge restante
Allumé	Éteint	Clignotant	
■	■	■	75 % à 100 %
■	■	□	50 % à 75 %
■	□	□	25 % à 50 %
■	□	□	0 % à 25 %
▬	□	□	Chargez la batterie.
■	□	□	Anomalie possible de la batterie.
□	□	■	

**NOTE** : Selon les conditions d'utilisation et la température ambiante, l'indication peut être légèrement différente de la capacité réelle.

## Interrupteur principal

Touchez le bouton d'alimentation principale pour mettre l'outil sous tension.

Pour mettre l'outil hors tension, maintenez à nouveau enfoncé le bouton d'alimentation principale jusqu'à ce que l'indicateur de vitesse s'éteigne.

► **Fig.7:** 1. Indicateur de vitesse 2. Bouton d'alimentation principale

**NOTE** : L'outil s'éteindra automatiquement s'il n'est pas utilisé pendant un certain temps.

## Fonctionnement de la gâchette

**⚠AVERTISSEMENT** : Avant d'insérer la batterie dans l'outil, vérifiez toujours que la gâchette fonctionne correctement et revient en position d'arrêt lorsqu'elle est relâchée. L'utilisation d'un outil dont la gâchette est défectueuse comporte un risque de perte de contrôle et de graves blessures.

**⚠ATTENTION** : Ne placez jamais votre doigt sur l'interrupteur lors du transport. L'outil risquerait de démarrer brusquement et de provoquer des blessures.

Un levier de sécurité est fourni pour prévenir l'activation accidentelle de la gâchette.

Pour démarrer l'outil, saisissez la poignée (le levier de sécurité est alors relâché), puis enclenchez la gâchette. Pour arrêter l'outil, relâchez la gâchette.

### DUR190U et DUR191U

► **Fig.8:** 1. Levier de sécurité 2. Gâchette

### DUR190L et DUR191L





► **Fig.9:** 1. Levier de sécurité 2. Gâchette

**NOTE** : L'outil s'éteint automatiquement s'il n'est pas utilisé pendant une certaine période.

## Réglage de la vitesse

Vous pouvez sélectionner la vitesse de l'outil en touchant le bouton d'alimentation principale. Chaque fois que vous touchez le bouton d'alimentation principale, le niveau de vitesse change.

► **Fig.10:** 1. Indicateur de vitesse 2. Bouton d'alimentation principale 3. Témoin ADT

Indicateur de vitesse	Mode	Vitesse de rotation
	ADT	3 500 - 6 000 min <sup>-1</sup>
	Élevé	6 000 min <sup>-1</sup>
	Moyen	5 100 min <sup>-1</sup>
	Faible	3 500 min <sup>-1</sup>

**NOTE** : Lorsque vous réglez ADT (technologie de couple de traction automatique), le témoin ADT s'allume et l'outil tourne à une vitesse de rotation et un couple optimaux pour l'herbe à couper.

## Bouton de marche arrière pour le retrait des débris

**⚠AVERTISSEMENT** : Mettez l'outil hors tension et retirez la batterie avant de retirer un enchevêtrement de mauvaises herbes ou des débris que la fonction de rotation inverse ne peut pas retirer. En ne mettant pas l'outil hors tension et en ne retirant pas la batterie, vous risqueriez de vous blesser grièvement en cas de démarrage accidentel.

Cet outil est pourvu d'un bouton de marche arrière permettant de changer le sens de rotation. Il sert uniquement à retirer les mauvaises herbes et débris pris dans l'outil. Pour inverser la rotation, touchez le bouton de marche arrière et enclenchez la gâchette tout en enfonçant le levier de sécurité une fois que l'outil de coupe s'est arrêté. Les indicateurs de vitesse et le témoin ADT se mettent à clignoter, et l'outil de coupe tourne en sens inverse lorsque vous enclenchez la gâchette. Pour revenir à la rotation normale, relâchez la gâchette et attendez que l'outil de coupe s'arrête.

► **Fig.11:** 1. Indicateur de vitesse 2. Témoin ADT 3. Bouton de marche arrière

**NOTE** : Pendant la rotation inverse, l'outil ne fonctionne que pendant une courte période et s'arrête automatiquement.

**NOTE** : Une fois que l'outil est arrêté, la rotation revient au sens habituel lorsque vous redémarrez l'outil.

**NOTE** : Si vous touchez le bouton de marche arrière alors que l'outil de coupe tourne encore, l'outil s'arrête en vue de la rotation inverse.

## Frein électrique

Cet outil est équipé d'un frein électrique. Si systématiquement l'outil n'arrive pas à s'arrêter rapidement après le relâchement de la gâchette, faites réparer l'outil dans notre centre de service.

**⚠ ATTENTION** : Ce système de frein n'est pas destiné à remplacer le protecteur. N'utilisez jamais l'outil sans le protecteur. Un outil de coupe non protégé présente un risque de grave blessure.

## ASSEMBLAGE

**⚠ AVERTISSEMENT** : Assurez-vous toujours que l'outil est éteint et que la batterie est retirée avant de procéder à n'importe quelle tâche sur l'outil. En ne mettant pas l'outil hors tension et en ne retirant pas la batterie, vous risqueriez de vous blesser grièvement en cas de démarrage accidentel.

**⚠ AVERTISSEMENT** : Ne démarrez l'outil que si ses pièces sont toutes montées. Si vous utilisez un outil dont les pièces sont partiellement montées, vous risqueriez de vous blesser grièvement en cas de démarrage accidentel.

### Installation de la poignée

Pour DUR190U et DUR191U uniquement

1. Insérez le manche de la poignée dans l'extrémité de la poignée. Alignez le trou de la vis de l'extrémité de la poignée avec celui du manche. Serrez solidement la vis.  
▶ Fig.12: 1. Extrémité de la poignée 2. Vis 3. Poignée

2. Placez la poignée entre le dispositif de serrage de la poignée et le porte-poignée. Réglez la poignée à un angle fournissant une position de travail confortable, puis fixez les boulons à tête cylindrique à six pans creux.

▶ Fig.13: 1. Boulon à tête cylindrique à six pans creux 2. Dispositif de serrage de la poignée 3. Porte-poignée

### Fixation de la barre de protection

Pour DUR190L et DUR191L

Si la barre de protection est incluse avec votre modèle, fixez-la à la poignée au moyen de la vis sur la barre.

▶ Fig.14: 1. Barre de protection 2. Vis

**⚠ ATTENTION** : Après avoir fixé la barre de protection, ne la retirez pas. La barre de protection fait office de pièce de sécurité pour empêcher tout contact accidentel avec la lame de coupe.

### Fixation du tuyau pour accessoire

Pour DUR191U et DUR191L uniquement

Fixez le tuyau pour accessoire à l'outil motorisé.

1. Tournez le levier dans le sens de la flèche indiqué sur la figure.

▶ Fig.15: 1. Levier

2. Soulevez le cache-jonction et insérez le tuyau pour accessoire tout en alignant la saillie du tuyau (côté outil de coupe) sur la partie concave de la pièce de jonction.

▶ Fig.16: 1. Levier de verrouillage 2. Cache-jonction 3. Tuyau

Assurez-vous que la surface du levier de verrouillage est parallèle au tuyau.

3. Tournez le levier dans le sens de la flèche indiqué sur la figure.

▶ Fig.17: 1. Levier

Pour retirer le tuyau, tournez le levier dans le sens de la flèche indiqué sur la figure et tirez sur le tuyau pour le sortir tout en enfonçant le levier de verrouillage.

▶ Fig.18: 1. Levier 2. Levier de verrouillage 3. Tuyau

### Installation du protecteur

**⚠ AVERTISSEMENT** : N'utilisez jamais l'outil sans le carter de protection illustré en place. Vous risqueriez autrement de vous blesser grièvement.

**⚠ ATTENTION** : Prenez garde de ne pas vous blesser avec l'outil de coupe lorsque vous coupez le cordon en nylon.

Fixez le protecteur au dispositif de serrage au moyen des boulons.

▶ Fig.19: 1. Dispositif de serrage 2. Protecteur

3. Outil de coupe

### Installation de l'outil de coupe

**NOTE** : Le type d'outil(s) de coupe fourni(s) comme accessoire standard est différent selon le pays. L'outil de coupe n'est pas inclus dans certains pays.

**NOTE** : Retournez l'outil pour pouvoir remplacer facilement l'outil de coupe.

### Lame de coupe

**⚠ ATTENTION** : Lorsque vous manipulez une lame de coupe, portez toujours des gants et placez le couvre-lame sur la lame.

**⚠ ATTENTION** : La lame de coupe doit être bien polie et exempte de fissures ou de ruptures. Si la lame de coupe heurte une pierre pendant l'utilisation, arrêtez l'outil et vérifiez immédiatement la lame de coupe.

**⚠ ATTENTION** : Utilisez toujours la lame de coupe ayant le diamètre décrit dans la section des spécifications.

▶ Fig.20: 1. Écrou 2. Manchon 3. Rondelle de serrage 4. Lame de coupe 5. Axe 6. Carter de protection 7. Bouton de blocage de l'axe

1. Montez la lame de coupe sur le carter de protection de sorte que les flèches sur la lame de coupe et le protecteur soient dirigées dans le même sens.

▶ Fig.21: 1. Flèche

2. Placez la rondelle de serrage et le manchon sur la lame de coupe.

3. Tout en maintenant enfoncé le bouton de blocage de l'axe, vissez solidement l'écrou au moyen de la clé à douille.

▶ Fig.22: 1. Bouton de blocage de l'axe 2. Clé à douille 3. Desserrer 4. Serrer

Pour retirer la lame de coupe, desserrez l'écrou tout en maintenant enfoncé le bouton de blocage de l'axe.



## Tête de coupe à fil nylon

**REMARQUE** : Utilisez toujours une tête de coupe à fil nylon de marque Makita.

Tout en maintenant enfoncé le bouton de blocage de l'axe, placez la tête de coupe à fil nylon sur l'axe et serrez-la bien manuellement.

► **Fig.23:** 1. Tête de coupe à fil nylon 2. Axe 3. Bouton de blocage de l'axe 4. Desserrer 5. Serrer

Pour retirer la tête de coupe à fil nylon, desserrez la tête de coupe à fil nylon tout en maintenant enfoncé le bouton de blocage de l'axe.

## Lame en plastique

**REMARQUE** : Veillez à utiliser une lame en plastique Makita d'origine.

Tout en maintenant enfoncé le bouton de blocage de l'axe, placez la lame en plastique sur l'axe et serrez-la bien manuellement.

► **Fig.24:** 1. Lame en plastique 2. Axe 3. Bouton de blocage de l'axe 4. Desserrer 5. Serrer

Pour retirer la lame en plastique, desserrez-la tout en maintenant enfoncé le bouton de blocage de l'axe.

**NOTE** : Vous pouvez utiliser la clé hexagonale fournie pour installer/retirer l'outil de coupe. Insérez la clé hexagonale dans le trou comme illustré sur la figure pour verrouiller l'axe.

► **Fig.25:** 1. Clé hexagonale 2. Orifice

**ATTENTION** : Utilisez toujours les clés fournies pour installer/retirer l'outil de coupe.

**ATTENTION** : Veillez à retirer la clé hexagonale insérée dans la tête de l'outil après avoir installé l'outil de coupe.

## Réglage de la position de la poignée ou du dispositif de suspension

Réglez la position de la poignée et du dispositif de suspension pour obtenir un maniement confortable de l'outil.

*Pour DUR190U et DUR191U*

Ajustez la position de la poignée et du dispositif de suspension de sorte que l'outil se trouve dans la plage comme illustré ci-dessous.

► **Fig.26**

1	La position du dispositif de suspension à partir du sol
2	La position de l'outil de coupe à partir du sol
3	La distance horizontale entre le dispositif de suspension et la partie non protégée de l'outil de coupe

Desserrez les boulons à tête cylindrique à six pans creux au bas du porte-poignée. Déplacez la poignée sur une position de travail confortable, puis serrez les boulons.

► **Fig.27:** 1. Porte-poignée 2. Boulon à tête cylindrique à six pans creux 3. Poignée

Desserrez les boulons à tête cylindrique à six pans creux sur le dispositif de suspension. Déplacez le dispositif de suspension sur une position de travail confortable, puis serrez les boulons.

► **Fig.28:** 1. Boulon à tête cylindrique à six pans creux 2. Dispositif de suspension

## Pour DUR190L et DUR191L

Desserrez les boulons à tête cylindrique à six pans creux sur la poignée. Déplacez la poignée sur une position de travail confortable, puis serrez les boulons.

► **Fig.29:** 1. Boulon à tête cylindrique à six pans creux 2. Poignée

Desserrez le boulon à tête cylindrique à six pans creux sur le dispositif de suspension. Déplacez le dispositif de suspension sur une position de travail confortable, puis serrez le boulon.

► **Fig.30:** 1. Boulon à tête cylindrique à six pans creux 2. Dispositif de suspension

## Rangement de la clé hexagonale

Lorsque vous n'utilisez pas la clé hexagonale, rangez-la comme illustré sur la figure pour éviter de la perdre.

► **Fig.31:** 1. Clé hexagonale

## Pour DUR190L et DUR191L uniquement

► **Fig.32:** 1. Poignée 2. Clé hexagonale

## UTILISATION

### Fixation de la bandoulière

**ATTENTION** : Utilisez toujours la bandoulière fixée sur l'outil. Avant utilisation, la bandoulière doit être ajustée selon la taille de l'utilisateur pour éviter la fatigue.

**ATTENTION** : Avant utilisation, assurez-vous que la bandoulière est correctement attachée au dispositif de suspension sur l'outil.

Accrochez le crochet de la bandoulière au dispositif de suspension et enflez la bandoulière. Assurez-vous que l'outil est maintenu solidement par la bandoulière.

### DUR190U et DUR191U

► **Fig.33:** 1. Crochet 2. Dispositif de suspension

### DUR190L et DUR191L

► **Fig.34:** 1. Crochet 2. Dispositif de suspension

## Retrait

La bandoulière est pourvue d'un système de desserrage rapide.

### DUR190U et DUR191U

► **Fig.35:** 1. Bande

En tirant sur la bande, l'outil se décroche de la bandoulière.

### DUR190L et DUR191L

► **Fig.36:** 1. Boucle

Il suffit d'appuyer sur les côtés de la boucle pour que l'outil se décroche de la bandoulière.

## Manipulation correcte de l'outil

**⚠️ AVERTISSEMENT :** Placez toujours l'outil du côté droit de votre corps. Le bon positionnement de l'outil apporte une maîtrise optimale et réduit le risque de graves blessures provoquées par le recul.

**⚠️ AVERTISSEMENT :** Redoublez de prudence pour garder constamment la maîtrise de l'outil. Ne laissez pas l'outil dévier vers vous ou en direction de quiconque à proximité de la zone de travail. Si vous ne maîtrisez pas l'outil, vous risqueriez de vous blesser et de blesser d'autres personnes.

**⚠️ AVERTISSEMENT :** Pour éviter les accidents, laissez une distance de 15 m entre les utilisateurs lorsque plus de deux personnes travaillent dans la même zone. De plus, prévoyez une personne pour observer la distance entre les utilisateurs. Si une personne ou un animal pénètre dans la zone de travail, cessez immédiatement l'utilisation.

**⚠️ ATTENTION :** Si l'outil de coupe frappe accidentellement une pierre ou un objet dur pendant le fonctionnement, arrêtez l'outil et vérifiez l'absence de dommages. Si l'outil de coupe est endommagé, remplacez-le immédiatement. L'utilisation d'un outil de coupe endommagé présente un risque de grave blessure.

**⚠️ ATTENTION :** Retirez le couvre-lame de la lame de coupe lorsque vous coupez de l'herbe.

Un bon positionnement et une manipulation correcte apportent une maîtrise optimale et réduisent le risque de blessures provoquées par le recul.

**DUR190U et DUR191U**

► Fig.37

**DUR190L et DUR191L**

► Fig.38

**Lorsque vous utilisez une tête de coupe à fil nylon (type avance par frappe)**

La tête de coupe à fil nylon est une tête de coupe herbe double fil avec un mécanisme d'avance par frappe.

Pour faire sortir le cordon en nylon, cognez la tête de coupe contre le sol pendant qu'elle tourne.

► Fig.39: 1. Zone de coupe la plus efficace

**REMARQUE :** L'avance par frappe au sol ne fonctionnera pas correctement si la tête de coupe à fil nylon ne tourne pas.

**NOTE :** Si le cordon en nylon ne sort pas lorsque vous cognez la tête, rembobinez ou remplacez le cordon en nylon en suivant les procédures de la section pour l'entretien.

## ENTRETIEN

**⚠️ AVERTISSEMENT :** Assurez-vous toujours que l'outil est hors tension et que la batterie est retirée avant d'effectuer tout travail d'inspection ou d'entretien sur l'outil. En ne mettant pas l'outil hors tension et en ne retirant pas la batterie, vous risqueriez de vous blesser grièvement en cas de démarrage accidentel.

**REMARQUE :** N'utilisez jamais d'essence, benzine, diluant, alcool ou autre produit similaire. Cela risquerait de provoquer la décoloration, la déformation ou la fissuration de l'outil.

Pour assurer la SÉCURITÉ et la FIABILITÉ du produit, toute réparation, tout travail d'entretien ou de réglage doivent être effectués par un centre d'entretien Makita agréé, avec des pièces de rechange Makita.

## Remplacement du cordon en nylon

**⚠️ AVERTISSEMENT :** Utilisez uniquement un cordon en nylon du diamètre spécifié dans ce manuel d'instructions. N'utilisez jamais de fils plus épais, de fil métallique, de corde ou autre. Autrement, vous risqueriez d'endommager l'outil et de provoquer de graves blessures.

**⚠️ AVERTISSEMENT :** Retirez toujours la tête de coupe à fil nylon de l'outil lorsque vous remplacez le cordon en nylon.

**⚠️ AVERTISSEMENT :** Assurez-vous que le couvercle de la tête de coupe à fil nylon est bien fixé au logement comme décrit dans ce mode d'emploi. Autrement, la tête de coupe à fil nylon pourrait être projetée et provoquer de graves blessures.

Remplacez le cordon en nylon s'il n'avance plus. La méthode de remplacement du cordon en nylon dépend du type de la tête de coupe à fil nylon.

### 95-M10L

► Fig.40

## Remplacement de la lame en plastique

Remplacez la lame en plastique si elle est usée ou cassée.

► Fig.41

Lorsque vous installez la lame en plastique, alignez le sens de la flèche sur la lame avec celle du protecteur.

► Fig.42: 1. Flèche sur le protecteur 2. Flèche sur la lame



# GUIDE DE DÉPANNAGE

Avant de faire une demande de réparation, effectuez d'abord vous-même une inspection. Si vous rencontrez un problème non documenté dans le mode d'emploi, n'essayez pas de démonter l'outil. Demandez plutôt à un centre de service après-vente Makita agréé d'effectuer la réparation au moyen de pièces de rechange Makita.

État d'anomalie	Cause probable (dysfonctionnement)	Solution
Le moteur ne tourne pas.	La batterie n'est pas installée.	Installez la batterie.
	Problème de batterie (sous tension)	Rechargez la batterie. Si vous n'arrivez pas à recharger la batterie, remplacez-la.
	Le mécanisme d'entraînement ne fonctionne pas correctement.	Demandez à votre centre de service après-vente local agréé d'effectuer la réparation.
Le moteur s'arrête au bout d'un court moment.	La charge de la batterie est faible.	Rechargez la batterie. Si vous n'arrivez pas à recharger la batterie, remplacez-la.
	Surchauffe.	Arrêtez d'utiliser l'outil pour le laisser refroidir.
Il ne tourne pas à plein régime.	La batterie n'est pas bien installée.	Installez la batterie comme décrit dans ce mode d'emploi.
	La batterie faiblit.	Rechargez la batterie. Si vous n'arrivez pas à recharger la batterie, remplacez-la.
	Le mécanisme d'entraînement ne fonctionne pas correctement.	Demandez à votre centre de service après-vente local agréé d'effectuer la réparation.
L'outil de coupe ne tourne pas : ⇒ arrêtez immédiatement la machine !	Un corps étranger, comme une branche, est coincé entre le carter de protection et l'outil de coupe.	Retirez le corps étranger.
	Le mécanisme d'entraînement ne fonctionne pas correctement.	Demandez à votre centre de service après-vente local agréé d'effectuer la réparation.
Vibration anormale : ⇒ arrêtez immédiatement la machine !	Une extrémité du cordon en nylon est cassée.	Cognez la tête de coupe à fil nylon contre le sol pendant qu'elle tourne pour faire sortir le cordon.
	Le mécanisme d'entraînement ne fonctionne pas correctement.	Demandez à votre centre de service après-vente local agréé d'effectuer la réparation.
L'outil de coupe et le moteur ne s'arrêtent pas : ⇒ retirez immédiatement la batterie !	Dysfonctionnement électrique ou électronique.	Retirez la batterie et demandez à votre centre de service après-vente local agréé d'effectuer la réparation.

## ACCESSOIRES EN OPTION

**⚠ AVERTISSEMENT** : N'utilisez que les accessoires ou les pièces complémentaires recommandés dans ce mode d'emploi. L'utilisation de tout autre accessoire ou pièce complémentaire peut entraîner de graves blessures.

**⚠ ATTENTION** : Ces accessoires ou pièces complémentaires sont recommandés pour l'utilisation avec l'outil Makita spécifié dans ce mode d'emploi. L'utilisation de tout autre accessoire ou pièce complémentaire peut comporter un risque de blessure. N'utilisez les accessoires ou pièces complémentaires qu'aux fins auxquelles ils ont été conçus.

Pour obtenir plus de détails sur ces accessoires, contactez votre centre d'entretien local Makita.

- Lame de coupe
- Tête de coupe à fil nylon
- Cordon en nylon (fil de coupe)
- Lame en plastique
- Batterie et chargeur Makita d'origine

**NOTE** : Il se peut que certains éléments de la liste soient compris dans l'emballage de l'outil en tant qu'accessoires standard. Ils peuvent varier d'un pays à l'autre.

## TECHNISCHE DATEN

Modell:	DUR190U	DUR190L	DUR191U	DUR191L
Handgrifftyp	Doppelgriffstange	Bügelgriff	Doppelgriffstange	Bügelgriff
Leerlaufdrehzahl	3: 6.000 min <sup>-1</sup> 2: 5.100 min <sup>-1</sup> 1: 3.500 min <sup>-1</sup>			
Gesamtlänge (ohne Schneidwerkzeug)	1.775 mm			
Nylonfaden-Durchmesser	2,0 - 2,4 mm			
Verwendbares Schneidwerkzeug und Schnittdurchmesser	3-Zahn-Schneidblatt (T/N 191J34-5)	230 mm		
	4-Zahn-Schneidblatt (T/N 729025-2)	230 mm		
	Nylonfadenkopf (T/N 126674-0)	300 mm		
	Kunststoffmesser (T/N 126642-3)	230 mm		
Nennspannung	18 V Gleichstrom			
Nettogewicht	3,1 - 3,4 kg	2,9 - 3,2 kg	3,4 - 3,7 kg	3,2 - 3,5 kg

- Wir behalten uns vor, Änderungen der technischen Daten im Zuge der Entwicklung und des technischen Fortschritts ohne vorherige Ankündigung vorzunehmen.
- Die technischen Daten können von Land zu Land unterschiedlich sein.
- Das Gewicht kann abhängig von dem Aufsatz (den Aufsätzen), einschließlich des Akkus, unterschiedlich sein. Die leichteste und die schwerste Kombination, gemäß dem EPTA-Verfahren 01/2014, sind in der Tabelle angegeben.

### Zutreffende Akkus und Ladegeräte

Akku	BL1815N / BL1820 / BL1820B / BL1830 / BL1830B / BL1840 / BL1840B / BL1850 / BL1850B / BL1860B
Ladegerät	DC18RC / DC18RD / DC18RE / DC18SD / DC18SE / DC18SF / DC18SH

- Einige der oben aufgelisteten Akkus und Ladegeräte sind je nach Ihrem Wohngebiet eventuell nicht erhältlich.

**⚠️ WARNUNG:** Verwenden Sie nur die oben aufgeführten Akkus und Ladegeräte. Bei Verwendung irgendwelcher anderer Akkus und Ladegeräte besteht Verletzungs- und/oder Brandgefahr.

### Empfohlener Akku-Adapter

Akku Adapter	PDC01
--------------	-------

- Der (Die) oben aufgelistete(n) Akku-Adapter ist (sind) je nach Ihrem Wohngebiet eventuell nicht erhältlich.
- Lesen Sie vor der Benutzung des Akku-Adapters die Anweisungen und Warnmarkierungen am Akku-Adapter.

# Geräusch

## Modell DUR190U

Schneidwerkzeug	Schalldruckpegel ( $L_{pA}$ ) dB (A)		Schalleistungspegel ( $L_{WA}$ ) dB (A)		Zutreffender Standard
	$L_{pA}$ dB(A)	Messunsicherheit (K) dB(A)	$L_{WA}$ dB(A)	Messunsicherheit (K) dB(A)	
4-Zahn-Schneidblatt	77,0	3,9	91,6	2,4	ISO22868 (ISO11806-1)
Nylonfadenkopf	74,0	1,9	87,1	0,9	ISO22868 (ISO11806-1)/ EN50636-2-91
Kunststoffmesser	75,6	1,3	85,9	2,1	ISO22868 (ISO11806-1)/ EN50636-2-91

## Modell DUR190L

Schneidwerkzeug	Schalldruckpegel ( $L_{pA}$ ) dB (A)		Schalleistungspegel ( $L_{WA}$ ) dB (A)		Zutreffender Standard
	$L_{pA}$ dB(A)	Messunsicherheit (K) dB(A)	$L_{WA}$ dB(A)	Messunsicherheit (K) dB(A)	
4-Zahn-Schneidblatt	77,0	3,9	91,6	2,4	ISO22868 (ISO11806-1)
Nylonfadenkopf	74,0	1,9	87,1	0,9	ISO22868 (ISO11806-1)/ EN50636-2-91
Kunststoffmesser	75,6	1,3	85,9	2,1	ISO22868 (ISO11806-1)/ EN50636-2-91

## Modell DUR191U

Schneidwerkzeug	Schalldruckpegel ( $L_{pA}$ ) dB (A)		Schalleistungspegel ( $L_{WA}$ ) dB (A)		Zutreffender Standard
	$L_{pA}$ dB(A)	Messunsicherheit (K) dB(A)	$L_{WA}$ dB(A)	Messunsicherheit (K) dB(A)	
4-Zahn-Schneidblatt	77,0	3,9	91,6	2,4	ISO22868 (ISO11806-1)
Nylonfadenkopf	74,0	1,9	87,1	0,9	ISO22868 (ISO11806-1)/ EN50636-2-91
Kunststoffmesser	75,6	1,3	85,9	2,1	ISO22868 (ISO11806-1)/ EN50636-2-91

## Modell DUR191L

Schneidwerkzeug	Schalldruckpegel ( $L_{pA}$ ) dB (A)		Schalleistungspegel ( $L_{WA}$ ) dB (A)		Zutreffender Standard
	$L_{pA}$ dB(A)	Messunsicherheit (K) dB(A)	$L_{WA}$ dB(A)	Messunsicherheit (K) dB(A)	
4-Zahn-Schneidblatt	77,0	3,9	91,6	2,4	ISO22868 (ISO11806-1)
Nylonfadenkopf	74,0	1,9	87,1	0,9	ISO22868 (ISO11806-1)/ EN50636-2-91
Kunststoffmesser	75,6	1,3	85,9	2,1	ISO22868 (ISO11806-1)/ EN50636-2-91

- Selbst wenn der oben aufgeführte Schalldruckpegel 80 dB (A) oder weniger beträgt, kann der bei der Arbeit erzeugte Schalldruckpegel 80 dB (A) überschreiten. Tragen Sie einen Gehörschutz.

**HINWEIS:** Der (Die) angegebene(n) Schallemissionswert(e) wurde(n) im Einklang mit der Standardprüfmethode gemessen und kann (können) für den Vergleich zwischen Werkzeugen herangezogen werden.

**HINWEIS:** Der (Die) angegebene(n) Schallemissionswert(e) kann (können) auch für eine Vorbewertung des Gefährdungsgrads verwendet werden.

**⚠️ WARNUNG:** Einen Gehörschutz tragen.

**⚠️ WARNUNG:** Die Schallemission während der tatsächlichen Benutzung des Elektrowerkzeugs kann je nach der Benutzungsweise des Werkzeugs, und speziell je nach der Art des bearbeiteten Werkstücks, von dem (den) angegebenen Wert(en) abweichen.

**⚠️ WARNUNG:** Identifizieren Sie Sicherheitsmaßnahmen zum Schutz des Benutzers anhand einer Schätzung des Gefährdungsgrads unter den tatsächlichen Benutzungsbedingungen (unter Berücksichtigung aller Phasen des Arbeitszyklus, wie z. B. Ausschalt- und Leerlaufzeiten des Werkzeugs zusätzlich zur Betriebszeit).

## Vibrationen

### Modell DUR190U

Schneidwerkzeug	Linksdrehung		Rechtsdrehung		Zutreffender Standard
	$a_{h,w}$ (m/s <sup>2</sup> )	Messunsicherheit K (m/s <sup>2</sup> )	$a_{h,w}$ (m/s <sup>2</sup> )	Messunsicherheit K (m/s <sup>2</sup> )	
4-Zahn-Schneidblatt	≤ 2,5	1,5	≤ 2,5	1,5	ISO22867 (ISO11806-1)
Nylonfadenkopf	≤ 2,5	1,5	≤ 2,5	1,5	ISO22867 (ISO11806-1)
Kunststoffmesser	≤ 2,5	1,5	≤ 2,5	1,5	ISO22867 (ISO11806-1)

### Modell DUR190L

Schneidwerkzeug	Linksdrehung		Rechtsdrehung		Zutreffender Standard
	$a_{h,w}$ (m/s <sup>2</sup> )	Messunsicherheit K (m/s <sup>2</sup> )	$a_{h,w}$ (m/s <sup>2</sup> )	Messunsicherheit K (m/s <sup>2</sup> )	
4-Zahn-Schneidblatt	≤ 2,5	1,5	≤ 2,5	1,5	ISO22867 (ISO11806-1)
Nylonfadenkopf	≤ 2,5	1,5	≤ 2,5	1,5	ISO22867 (ISO11806-1)
Kunststoffmesser	≤ 2,5	1,5	≤ 2,5	1,5	ISO22867 (ISO11806-1)

### Modell DUR191U

Schneidwerkzeug	Linksdrehung		Rechtsdrehung		Zutreffender Standard
	$a_{h,w}$ (m/s <sup>2</sup> )	Messunsicherheit K (m/s <sup>2</sup> )	$a_{h,w}$ (m/s <sup>2</sup> )	Messunsicherheit K (m/s <sup>2</sup> )	
4-Zahn-Schneidblatt	≤ 2,5	1,5	≤ 2,5	1,5	ISO22867 (ISO11806-1)
Nylonfadenkopf	≤ 2,5	1,5	≤ 2,5	1,5	ISO22867 (ISO11806-1)
Kunststoffmesser	≤ 2,5	1,5	≤ 2,5	1,5	ISO22867 (ISO11806-1)

Schneidwerkzeug	Linksdrehung		Rechtsdrehung		Zutreffender Standard
	$a_{h,w}$ (m/s <sup>2</sup> )	Messunsicherheit K (m/s <sup>2</sup> )	$a_{h,w}$ (m/s <sup>2</sup> )	Messunsicherheit K (m/s <sup>2</sup> )	
4-Zahn-Schneidblatt	≤ 2,5	1,5	≤ 2,5	1,5	ISO22867 (ISO11806-1)
Nylonfadenkopf	≤ 2,5	1,5	≤ 2,5	1,5	ISO22867 (ISO11806-1)
Kunststoffmesser	≤ 2,5	1,5	≤ 2,5	1,5	ISO22867 (ISO11806-1)

**HINWEIS:** Der (Die) angegebene(n) Vibrationsgesamtwert(e) wurde(n) im Einklang mit der Standardprüfmethode gemessen und kann (können) für den Vergleich zwischen Werkzeugen herangezogen werden.


**HINWEIS:** Der (Die) angegebene(n) Vibrationsgesamtwert(e) kann (können) auch für eine Vorbewertung des Gefährdungsgrads verwendet werden.


**⚠️ WARNUNG:** Die Vibrationsemission während der tatsächlichen Benutzung des Elektrowerkzeugs kann je nach der Benutzungsweise des Werkzeugs, und speziell je nach der Art des bearbeiteten Werkstücks, von dem (den) angegebenen Emissionswert(en) abweichen.

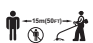
**⚠️ WARNUNG:** Identifizieren Sie Sicherheitsmaßnahmen zum Schutz des Benutzers anhand einer Schätzung des Gefährdungsgrads unter den tatsächlichen Benutzungsbedingungen (unter Berücksichtigung aller Phasen des Arbeitszyklus, wie z. B. Ausschalt- und Leerlaufzeiten des Werkzeugs zusätzlich zur Betriebszeit).


## Symbole


Nachfolgend werden die für das Gerät verwendeten Symbole beschrieben. Machen Sie sich vor der Benutzung mit ihrer Bedeutung vertraut.


 Besondere Umsicht und Aufmerksamkeit erforderlich.


 Betriebsanleitung lesen.


 Mindestens 15 m Abstand halten.

 Gefahr durch herausgeschleuderte Objekte.


 Vorsicht; Rückschlag

 Helm, Schutzbrille und Gehörschutz tragen.

 Schutzhandschuhe tragen.

 Festes Schuhwerk mit rutschfesten Sohlen tragen. Sicherheitsschuhe mit Stahl-Zehenkappen werden empfohlen.

 Keiner Feuchtigkeit aussetzen.

 Ni-MH  
Li-Ion  
Nur für EG-Länder  
Entsorgen Sie Elektrogeräte oder Akkus nicht zusammen mit dem Hausmüll! Unter Einhaltung der Europäischen Richtlinie über Elektro- und Elektronik-Altgeräte, Batterien, Akkus sowie verbrauchte Batterien und Akkus und ihre Umsetzung gemäß den Landesgesetzen müssen Elektrogeräte und Batterien bzw. Akkus, die das Ende ihrer Lebensdauer erreicht haben, getrennt gesammelt und einer umweltgerechten Recycling-Einrichtung zugeführt werden.

## EG-Konformitätserklärung

### Nur für europäische Länder

Die EG-Konformitätserklärung ist als Anhang A in dieser Bedienungsanleitung enthalten.

## SICHERHEITSWARNUNGEN

### Allgemeine Sicherheitswarnungen für Elektrowerkzeuge

**⚠️ WARNUNG:** Lesen Sie alle mit diesem Elektrowerkzeug gelieferten Sicherheitswarnungen, Anweisungen, Abbildungen und technischen Daten durch. Eine Missachtung der unten aufgeführten Anweisungen kann zu einem elektrischen Schlag, Brand und/oder schweren Verletzungen führen.

### Bewahren Sie alle Warnungen und Anweisungen für spätere Bezugnahme auf.

Der Ausdruck „Elektrowerkzeug“ in den Warnhinweisen bezieht sich auf Ihr mit Netzstrom (mit Kabel) oder Akku (ohne Kabel) betriebenes Elektrowerkzeug.

### Wichtige Sicherheitsanweisungen für das Werkzeug

**⚠️ WARNUNG:** Lesen Sie alle Sicherheitswarnungen und Anweisungen durch. Eine Missachtung der unten aufgeführten Warnungen und Anweisungen kann zu einem elektrischen Schlag, Brand und/oder schweren Verletzungen führen.

# Bewahren Sie alle Warnungen und Anweisungen für spätere Bezugnahme auf.

## Verwendungszweck

1. Dieses Werkzeug ist ausschließlich für das Schneiden von Gras, Unkraut, Gestrüpp und Niedrigbewuchs vorgesehen. Es sollte nicht für andere Zwecke, wie Kanten- oder Heckenschneiden, verwendet werden, weil dadurch Verletzungen verursacht werden können.

## Allgemeine Anweisungen

1. Lassen Sie keinesfalls Personen, die nicht mit dieser Anleitung vertraut sind, Personen (einschließlich Kinder) mit verminderten körperlichen, sensorischen oder geistigen Fähigkeiten oder Mangel an Erfahrung und Kenntnissen das Werkzeug benutzen. Kinder sollten beaufsichtigt werden, um sicherzugehen, dass sie nicht mit dem Werkzeug spielen.
2. Bevor Sie das Werkzeug in Betrieb nehmen, sollten Sie diese Betriebsanleitung durchlesen, um sich mit der Handhabung des Werkzeugs vertraut zu machen.
3. Leihen Sie das Werkzeug keiner Person mit ungenügender Erfahrung oder Kenntnissen bezüglich der Handhabung von Freischneidern und Fadentrimmern.
4. Wenn Sie das Werkzeug verleihen, fügen Sie stets diese Betriebsanleitung bei.
5. Behandeln Sie das Werkzeug mit äußerster Sorgfalt und Aufmerksamkeit.
6. Benutzen Sie das Werkzeug niemals nach der Einnahme von Alkohol oder Drogen, oder wenn Sie sich müde oder krank fühlen.
7. Versuchen Sie niemals, das Werkzeug zu modifizieren.
8. Befolgen Sie die Vorschriften über die Handhabung von Freischneidern und Fadentrimmern in Ihrem Land.

## Persönliche Schutzausrüstung

### ► Abb.1

1. Tragen Sie einen Schutzhelm, eine Schutzbrille und Schutzhandschuhe, um sich vor zersplitterndem Unrat oder fallenden Gegenständen zu schützen.
2. Tragen Sie einen Gehörschutz, wie z. B. Ohrschützer, um eine Gehörschädigung zu verhindern.
3. Tragen Sie sachgerechte Kleidung und Schuhe für sicheren Betrieb, wie z. B. einen Arbeitoverall und robustes, rutschfestes Schuhwerk. Tragen Sie keine lose Kleidung oder Schmuck. Lose Kleidung, Schmuck oder langes Haar kann sich in beweglichen Teilen verfangen.
4. Tragen Sie Schutzhandschuhe, wenn Sie das Schneidblatt berühren müssen. Schneidblätter können schwere Verletzungen an bloßen Händen verursachen.

## Sicherheit im Arbeitsbereich

1. Betreiben Sie das Werkzeug nur bei Tageslicht unter guten Sichtverhältnissen. Betreiben Sie das Werkzeug nicht bei Dunkelheit oder Nebel.
2. Betreiben Sie das Werkzeug nicht in explosiven Umgebungen, wie z. B. in Gegenwart von brennbaren Flüssigkeiten, Gasen oder Staub. Das Werkzeug erzeugt Funken, die den Staub oder die Dämpfe entzünden können.
3. Stellen Sie sich während der Arbeit niemals auf eine instabile oder schlüpfrige Fläche oder einen steilen Hang. Nehmen Sie sich während der kalten Jahreszeit vor Eis und Schnee in Acht, und achten Sie stets auf sicheren Stand.
4. Halten Sie Umstehende oder Tiere während der Arbeit mindestens 15 m vom Werkzeug entfernt. Halten Sie das Werkzeug an, sobald jemand sich nähert.
5. Betreiben Sie das Werkzeug keinesfalls, während sich Personen, besonders Kinder, oder Haustiere in der Nähe aufhalten.
6. Untersuchen Sie den Arbeitsbereich vor Arbeitsbeginn auf Steine oder andere feste Objekte. Diese können herausgeschleudert werden oder gefährlichen Rückstoß verursachen, was zu ernsthaften Verletzungen und/oder Beschädigung von Eigentum führen kann.
7. **⚠️ WARNUNG:** Durch die Benutzung dieses Produkts kann Staub aufgewirbelt werden, der Chemikalien enthält, die Erkrankungen der Atemwege oder andere Krankheiten verursachen können. Beispiele solcher Chemikalien sind Stoffe, die in Pestiziden, Insektiziden, Düngemitteln und Herbiziden anzutreffen sind. Ihre Gefährdung durch den Umgang mit solchen Chemikalien hängt davon ab, wie oft Sie diese Arbeiten verrichten. Um Ihre Gefährdung durch diese Chemikalien zu reduzieren: Arbeiten Sie in gut belüfteter Umgebung, und verwenden Sie geprüfte Sicherheitsvorrichtungen, wie z. B. Staubmasken, die mikroskopische Teilchen herausfiltern.

## Sicherheit der Elektrik und des Akkus

1. Setzen Sie das Werkzeug keinem Regen oder Nässe aus. Wasser, das in das Werkzeug eindringt, erhöht die Stromschlaggefahr.
2. Benutzen Sie das Werkzeug nicht, wenn es sich nicht mit dem Schalter ein- und ausschalten lässt. Ein Werkzeug, das nicht auf die Schalterbetätigung reagiert, ist gefährlich und muss repariert werden.
3. Unbeabsichtigtes Einschalten verhüten. Vergewissern Sie sich, dass sich der Schalter in der Aus-Stellung befindet, bevor Sie einen Akku einsetzen bzw. das Werkzeug aufheben oder tragen. Das Tragen des Werkzeugs mit dem Finger am Schalter oder das Anschließen bei eingeschaltetem Schalter führt zu Unfällen.
4. Werfen Sie den (die) Akku(s) nicht ins Feuer. Die Zelle könnte explodieren. Prüfen Sie die örtlichen Vorschriften für mögliche spezielle Entsorgungsanweisungen.

5. **Versuchen Sie nicht, den (die) Akku(s) zu öffnen oder zu verstümmeln.** Freigesetzter Elektrolyt ist korrosiv und kann Schäden an Augen oder Haut verursachen. Falls er verschluckt wird, kann er giftig sein.
6. **Laden Sie den Akku nicht im Regen oder an nassen Orten.**
5. **Übernehmen Sie sich nicht. Achten Sie stets auf sicheren Stand und gute Balance. Achten Sie auf verborgene Hindernisse, wie z. B. Baumstümpfe, Wurzeln und Gräben, um Stolpern zu vermeiden.**
6. **Achten Sie beim Arbeiten auf Hängen stets auf sicheren Stand.**

## Inbetriebnahme

1. **Nehmen Sie den Akku ab, bevor Sie das Werkzeug zusammenbauen oder einstellen.**
2. **Tragen Sie Schutzhandschuhe, bevor Sie das Schneidblatt berühren.**
3. **Überprüfen Sie das Werkzeug auf Beschädigung, lose Schrauben/Muttern oder falschen Zusammenbau, bevor Sie den Akku einsetzen. Schärfen Sie ein stumpfes Schneidblatt. Falls das Schneidblatt verbogen oder beschädigt ist, tauschen Sie es aus. Überprüfen Sie alle Bedienungshebel und Schalter auf Leichtgängigkeit. Säubern und trocknen Sie die Handgriffe.**
4. **Versuchen Sie niemals, das Werkzeug einzuschalten, wenn es beschädigt oder nicht vollständig zusammengebaut ist. Anderenfalls kann es zu ernsthaften Verletzungen kommen.**
5. **Stellen Sie den Schultergurt und den Handgriff auf die Körpergröße des Bedieners ein.**
6. **Wenn Sie einen Akku einsetzen, halten Sie den Schneidaufsatz von Ihrem Körper und anderen Objekten, einschließlich des Bodens, fern. Der Schneidaufsatz kann sich beim Starten drehen und Verletzungen oder Sachschäden an Werkzeug und/oder Eigentum verursachen.**
7. **Etwaige Einstell- oder Schraubenschlüssel oder die Schneidblattabdeckung sind vor dem Einschalten des Werkzeugs zu entfernen. Ein Zubehörtteil, das an einem rotierenden Teil des Werkzeugs angebracht gelassen wird, kann zu Personenschäden führen.**
8. **Das Schneidwerkzeug muss mit der Schutzhaube ausgestattet sein. Betreiben Sie das Werkzeug niemals mit beschädigten oder fehlenden Schutzhauben!**
9. **Vergewissern Sie sich, dass keine Stromkabel, Wasserrohre, Gasrohre usw. vorhanden sind, die bei Beschädigung durch den Einsatz des Werkzeugs eine Gefahr darstellen können.**
7. **Stets gehen, niemals laufen.**
8. **Arbeiten Sie niemals auf einer Leiter oder einem Baum, um Verlust der Kontrolle zu vermeiden.**
9. **Falls das Werkzeug einen schweren Aufprall oder Sturz erleidet, überprüfen Sie seinen Zustand, bevor Sie die Arbeit fortsetzen. Überprüfen Sie die Bedienelemente und Sicherheitsvorrichtungen auf Fehlfunktionen. Falls Sie einen Schaden feststellen oder Zweifel haben, wenden Sie sich bezüglich einer Inspektion und Reparatur an unser autorisiertes Service-Center.**
10. **Machen Sie eine Pause, um durch Müdigkeit verursachten Verlust der Kontrolle zu verhüten. Wir empfehlen, jede Stunde eine Pause von 10 bis 20 Minuten einzulegen.**
11. **Wenn Sie das Werkzeug unbeaufsichtigt lassen, auch nur für kurze Zeit, nehmen Sie stets den Akku ab. Bleibt der Akku des unbeaufsichtigten Werkzeugs eingesetzt, kann das Werkzeug von einer unbefugten Person benutzt werden und einen schweren Unfall verursachen.**
12. **Falls sich Gras oder Äste zwischen Schneidaufsatz und Schutzhaube verfangen, schalten Sie stets das Werkzeug aus, und nehmen Sie den Akku ab, bevor Sie mit der Säuberung beginnen. Anderenfalls kann sich der Schneidaufsatz unbeabsichtigt in Bewegung setzen und ernsthafte Verletzungen verursachen.**
13. **Berühren Sie rotierende gefährliche Teile niemals, bevor sie zu einem vollkommenen Stillstand gekommen sind und der Akku abgenommen worden ist.**
14. **Falls der Schneidaufsatz auf Steine oder andere harte Objekte trifft, schalten Sie das Werkzeug sofort aus. Nehmen Sie dann den Akku ab, und überprüfen Sie den Schneidaufsatz.**
15. **Überprüfen Sie den Schneidaufsatz während des Betriebs öfter auf Risse oder Beschädigung. Nehmen Sie vor der Inspektion den Akku ab, und warten Sie, bis der Schneidaufsatz vollständig zum Stillstand kommt. Wechseln Sie einen beschädigten Schneidaufsatz unverzüglich aus, selbst wenn er nur oberflächliche Risse aufweist.**

## Betrieb

1. **Schalten Sie das Werkzeug im Notfall unverzüglich aus.**
2. **Falls Sie während des Betriebs einen ungewöhnlichen Zustand (z. B. Geräusche, Vibrationen) feststellen, schalten Sie das Werkzeug aus, und nehmen Sie den Akku ab. Benutzen Sie das Werkzeug erst wieder, nachdem die Ursache festgestellt und behoben worden ist.**
3. **Der Schneidaufsatz dreht sich nach dem Ausschalten des Werkzeugs noch kurze Zeit weiter. Berühren Sie daher den Schneidaufsatz nicht voreilig.**
4. **Benutzen Sie den Schultergurt während des Betriebs. Halten Sie das Werkzeug sicher auf Ihrer rechten Seite.**
16. **Schneiden Sie niemals über der Hüfthöhe.**
17. **Bevor Sie mit der Schneidarbeit beginnen, warten Sie, bis der Schneidaufsatz nach dem Einschalten des Werkzeugs eine konstante Drehzahl erreicht.**
18. **Wenn Sie ein Schneidblatt verwenden, schwenken Sie das Werkzeug gleichmäßig in einem Halbkreis von rechts nach links wie eine Sense.**
19. **Halten Sie das Werkzeug nur an den isolierten Griffflächen, wenn die Gefahr besteht, dass das Schneidblatt verborgene Kabel kontaktiert. Wenn Schneidblätter ein Strom führendes Kabel kontaktieren können die freiliegenden Metallteile des Werkzeugs ebenfalls Strom führend werden, so dass der Bediener einen elektrischen Schlag erleiden kann.**

20. **Starten Sie das Werkzeug nicht, wenn sich das Schneidwerkzeug in abgeschnittenem Gras verheddert hat.**
21. **Vergewissern Sie sich vor dem Starten des Werkzeugs, dass das Schneidwerkzeug nicht den Boden oder andere Hindernisse, wie z. B. einen Baum, berührt.**
22. **Halten Sie das Werkzeug während des Betriebs immer mit beiden Händen. Halten Sie das Werkzeug während der Benutzung niemals nur mit einer Hand.**
23. **Benutzen Sie das Werkzeug nicht bei schlechtem Wetter oder wenn Blitzgefahr besteht.**
3. **So vermeiden Sie Rückschlag:**
  1. **Setzen Sie das Segment zwischen der 8- und 11-Uhr-Stellung an.**
  2. **Setzen Sie niemals das Segment zwischen der 12- und 2-Uhr-Stellung an.**
  3. **Setzen Sie niemals das Segment zwischen der 11- und 12-Uhr-Stellung sowie zwischen der 2- und 5-Uhr-Stellung an, es sei denn, der Bediener ist geschult und erfahren und führt die Arbeiten auf eigene Gefahr aus.**
  4. **Benutzen Sie Schneidblätter niemals in der Nähe von festen Objekten, wie z. B. Zäunen, Mauern, Baumstümpfen und Steinen.**
  5. **Benutzen Sie Schneidblätter niemals senkrecht für solche Arbeiten wie Kanten- und Heckenschneiden.**

## Schneidwerkzeuge

1. **Verwenden Sie kein Schneidwerkzeug, das nicht von uns empfohlen wird.**
2. **Verwenden Sie ein geeignetes Schneidwerkzeug für die anstehende Arbeit.**
  - Für das Schneiden von Rasengras sind Nylonfadenköpfe (Fadentrimmerköpfe) und Kunststoffmesser geeignet.
  - Schneidblätter eignen sich zum Schneiden von Unkraut, hohem Gras, Buschwerk, Gesträuch, Unterholz, Dickicht und dergleichen.
  - Verwenden Sie keinesfalls andere Schneidblätter, einschließlich mehrgliedriger Metall-Gelenkketten und Flegelblätter. Es könnte sonst zu ernsthaften Verletzungen kommen.
3. **Verwenden Sie nur die Schneidwerkzeuge, die mit einer Drehzahl markiert sind, die der am Werkzeug angegebenen Drehzahl entspricht oder diese übertrifft.**
4. **Halten Sie stets Ihre Hände, Gesicht und Kleidung vom rotierenden Schneidwerkzeug fern.** Anderenfalls kann es zu Personenschäden kommen.
5. **Montieren Sie stets eine für das verwendete Schneidwerkzeug geeignete Schutzhaube.**
6. **Wenn Sie Schneidblätter verwenden, vermeiden Sie Rückschlag, und machen Sie sich immer auf unvorhergesehene Rückschläge gefasst.** Siehe den Abschnitt über Rückschlag.
7. **Schützen Sie das Schneidblatt bei Nichtgebrauch mit der Schneidblattabdeckung.** Entfernen Sie die Abdeckung vor dem Betrieb.

## Rückschlag (Schneidblatthieb)

1. **Rückschlag (Schneidblatthieb) ist eine plötzliche Reaktion auf ein hängen bleibendes oder klemmendes Schneidblatt. Derartige Rückschläge schleudern das Werkzeug mit großer Kraft seitwärts oder auf den Bediener zu und können ernsthafte Verletzungen verursachen.**
2. **Rückschlag tritt vor allem auf, wenn das Schneidblattsegment zwischen der 12- und 2-Uhr-Stellung an feste Gegenstände, Büsche und Bäume mit einem Durchmesser von 3 cm oder mehr angesetzt wird.**

► Abb.2

► Abb.3

## Vibrationen

1. **Bei Personen mit Durchblutungsstörungen, die starken Schwingungen ausgesetzt werden, kann es zu einer Schädigung von Blutgefäßen oder des Nervensystems kommen.** Folgende Symptome können durch Schwingungen an Fingern, Händen oder Handgelenken auftreten: „Einschlafen“ (Taubheit) von Körperteilen, Kribbeln, Schmerz, Stechen, Veränderung von Hautfarbe oder Haut. Falls eines dieser Symptome auftritt, suchen Sie einen Arzt auf!
2. **Um die Gefahr von VVS (vibrationsbedingtes vasospastisches Syndrom) zu reduzieren, halten Sie Ihre Hände während der Arbeit warm, und sorgen Sie für gute Wartung von Werkzeug und Zubehör.**

## Transport

1. **Bevor Sie das Werkzeug transportieren, schalten Sie es aus, und nehmen Sie den Akku ab.** Bringen Sie die Abdeckung am Schneidblatt an.
2. **Wenn Sie das Werkzeug transportieren, tragen Sie es in waagerechter Stellung, indem Sie den Schaft halten.**
3. **Wenn Sie das Werkzeug in einem Fahrzeug transportieren, sichern Sie es ordnungsgemäß, um Überschlagen zu verhindern.** Anderenfalls kann es zu Beschädigung des Werkzeugs und anderen Gepäcks kommen.

## Wartung

1. **Lassen Sie Ihr Werkzeug von einem autorisierten Service-Center warten, und verwenden Sie immer nur Original-Ersatzteile.** Falsche Reparatur und schlechte Wartung können die Lebensdauer des Werkzeugs verkürzen und die Unfallgefahr erhöhen.
2. **Bevor Sie Wartungs- oder Reparaturarbeiten durchführen oder das Werkzeug reinigen, sollten Sie immer das Werkzeug ausschalten und den Akku abnehmen.**
3. **Tragen Sie stets Schutzhandschuhe bei der Handhabung des Schneidblatts.**



4. **Säubern Sie das Werkzeug immer von Staub und Schmutz. Verwenden Sie auf keinen Fall Benzin, Waschbenzin, Verdünner, Alkohol oder dergleichen zu diesem Zweck.** Es kann sonst zu Verfärbung, Verformung oder Rissbildung der Kunststoffteile kommen.
5. **Ziehen Sie alle Schrauben und Muttern nach jedem Gebrauch fest.**
6. **Versuchen Sie nicht, Wartungs- oder Reparaturarbeiten durchzuführen, die nicht in der Betriebsanleitung beschrieben sind. Überlassen Sie solche Arbeiten unserem autorisierten Service-Center.**
7. **Verwenden Sie immer nur unsere Original-Ersatz- und Zubehörteile.** Die Verwendung von Ersatz- oder Zubehörteilen von Drittherstellern kann zu einem Ausfall des Werkzeugs, Sachschäden und/oder ernsthaften Verletzungen führen.
8. **Lassen Sie das Werkzeug von unserem autorisierten Service-Center in regelmäßigen Abständen inspizieren und warten.**
9. **Halten Sie das Werkzeug stets in gutem Betriebszustand.** Schlechte Wartung kann zu schlechter Leistung und einer Verkürzung der Nutzungsdauer des Werkzeugs führen.
4. **Falls Elektrolyt in Ihre Augen gelangt, waschen Sie sie mit sauberem Wasser aus, und begeben Sie sich unverzüglich in ärztliche Behandlung. Anderenfalls können Sie Ihre Sehkraft verlieren.**
5. **Der Akku darf nicht kurzgeschlossen werden:**
  - (1) **Die Kontakte dürfen nicht mit leitfähigem Material berührt werden.**
  - (2) **Lagern Sie den Akku nicht in einem Behälter zusammen mit anderen Metallgegenständen, wie z. B. Nägel, Münzen usw.**
  - (3) **Setzen Sie den Akku weder Wasser noch Regen aus.**

**Ein Kurzschluss des Akkus verursacht starken Stromfluss, der Überhitzung, mögliche Verbrennungen und einen Defekt zur Folge haben kann.**

## Lagerung

1. **Bevor Sie das Werkzeug lagern, führen Sie eine vollständige Reinigung und Wartung durch. Nehmen Sie den Akku ab. Bringen Sie die Abdeckung am Schneidblatt an.**
2. **Lagern Sie das Werkzeug an einem trockenen und hohen oder abschließbaren Ort außer Reichweite von Kindern.**
3. **Lehnen Sie das Werkzeug nicht gegen eine Wand oder dergleichen. Anderenfalls kann es plötzlich umkippen und Verletzungen verursachen.**

## Erste Hilfe

1. **Halten Sie stets einen Erste-Hilfe-Kasten in der Nähe bereit. Dem Erste-Hilfe-Kasten entnommenes Material ist sofort wieder aufzufüllen.**
2. **Wenn Sie Hilfe anfordern, machen Sie bitte folgende Angaben:**
  - Ort des Unfalls
  - Art des Unfalls
  - Zahl der Verletzten
  - Art der Verletzungen
  - Ihr Name

## Wichtige Sicherheitsanweisungen für Akku

1. **Lesen Sie vor der Benutzung des Akkus alle Anweisungen und Warnhinweise, die an (1) Ladegerät, (2) Akku und (3) Akkuwerkzeug angebracht sind.**
2. **Unterlassen Sie ein Zerlegen des Akkus.**
3. **Falls die Betriebszeit beträchtlich kürzer geworden ist, stellen Sie den Betrieb sofort ein. Anderenfalls besteht die Gefahr von Überhitzung, möglichen Verbrennungen und sogar einer Explosion.**

6. **Lagern Sie das Werkzeug und den Akku nicht an Orten, an denen die Temperatur 50 °C erreichen oder überschreiten kann.**
7. **Versuchen Sie niemals, den Akku zu verbrennen, selbst wenn er stark beschädigt oder vollkommen verbraucht ist. Der Akku kann im Feuer explodieren.**
8. **Achten Sie darauf, dass der Akku nicht fallen gelassen oder Stößen ausgesetzt wird.**
9. **Benutzen Sie keine beschädigten Akkus.**
10. **Die enthaltenen Lithium-Ionen-Akkus unterliegen den Anforderungen der Gefahrgut-Gesetzgebung.**

Für kommerzielle Transporte, z. B. durch Dritte oder Spediteure, müssen besondere Anforderungen zu Verpackung und Etikettierung beachtet werden. Zur Vorbereitung des zu transportierenden Artikels ist eine Beratung durch einen Experten für Gefahrgut erforderlich. Bitte beachten Sie möglicherweise ausführlichere nationale Vorschriften. Überleben oder verdecken Sie offene Kontakte, und verpacken Sie den Akku so, dass er sich in der Verpackung nicht umher bewegen kann.

11. **Entfernen Sie den Akku zum Entsorgen vom Werkzeug, und entsorgen Sie ihn an einem sicheren Ort. Befolgen Sie die örtlichen Vorschriften bezüglich der Entsorgung von Akkus.**
12. **Verwenden Sie die Akkus nur mit den von Makita angegebenen Produkten.** Das Einsetzen der Akkus in nicht konforme Produkte kann zu einem Brand, übermäßiger Hitzebildung, einer Explosion oder Auslaufen von Elektrolyt führen.
13. **Soll das Werkzeug längere Zeit nicht benutzt werden, muss der Akku vom Werkzeug entfernt werden.**

## DIESE ANWEISUNGEN AUFBEWAHREN.

**⚠ VORSICHT:** Verwenden Sie nur Original-Makita-Akkus. Die Verwendung von Nicht-Original-Makita-Akkus oder von Akkus, die abgeändert worden sind, kann zum Bersten des Akkus und daraus resultierenden Bränden, Personenschäden und Beschädigung führen. Außerdem wird dadurch die Makita-Garantie für das Makita-Werkzeug und -Ladegerät ungültig.

# Hinweise zur Aufrechterhaltung der maximalen Akku-Nutzungsdauer

1. Laden Sie den Akku, bevor er vollkommen erschöpft ist. Schalten Sie das Werkzeug stets aus, und laden Sie den Akku, wenn Sie ein Nachlassen der Werkzeugleistung feststellen.

2. Unterlassen Sie erneutes Laden eines voll aufgeladenen Akkus. Überladen führt zu einer Verkürzung der Nutzungsdauer des Akkus.
3. Laden Sie den Akku bei Raumtemperatur zwischen 10 – 40 °C. Lassen Sie einen heißen Akku abkühlen, bevor Sie ihn laden.
4. Der Akku muss geladen werden, wenn er lange Zeit (länger als sechs Monate) nicht benutzt wird.

## BEZEICHNUNG DER TEILE

► Abb.4

1	Drehzahlanzeige	2	ADT-Anzeige (ADT = Automatic Torque Drive Technology (Automatische Drehzahlregulierung))	3	Warnlampe	4	Hauptbetriebstaste
5	Drehrichtungs-Umkehrtaste	6	Akku	7	Einschaltsperrhebel	8	Ein-Aus-Schalter
9	Aufhänger	10	Bügelgriff	11	Barriere (länderspezifisch)	12	Schutzhaube
13	Verriegelungshebel (nur DUR191U und DUR191L)	14	Verbindungsabdeckung (nur DUR191U und DUR191L)	15	Kappe (nur DUR191U und DUR191L)	16	Schultergurt

## FUNKTIONSBESCHREIBUNG

**⚠️ WARNUNG:** Vergewissern Sie sich vor der Durchführung von Einstellungen oder Funktionsprüfungen des Werkzeugs stets, dass das Werkzeug ausgeschaltet und der Akku abgenommen ist. Werden Ausschalten des Werkzeugs und Abnehmen des Akkus unterlassen, kann es zu schweren Personenschäden durch versehentliches Anlaufen kommen.

### Anbringen und Abnehmen des Akkus

**⚠️ VORSICHT:** Schalten Sie das Werkzeug stets aus, bevor Sie den Akku anbringen oder abnehmen.

**⚠️ VORSICHT:** Halten Sie das Werkzeug und den Akku beim Anbringen oder Abnehmen des Akkus sicher fest. Wenn Sie das Werkzeug und den Akku nicht sicher festhalten, können sie Ihnen aus der Hand rutschen, was zu einer Beschädigung des Werkzeugs und des Akkus und zu Körperverletzungen führen kann.

► Abb.5: 1. Rote Anzeige 2. Knopf 3. Akku

Ziehen Sie den Akku zum Abnehmen vom Werkzeug ab, während Sie den Knopf an der Vorderseite des Akkus verschieben.

Richten Sie zum Anbringen des Akkus dessen Führungsfeder auf die Nut im Gehäuse aus, und schieben Sie den Akku hinein. Schieben Sie ihn vollständig ein, bis er mit einem hörbaren Klicken einrastet. Falls die rote Anzeige an der Oberseite des Knopfes sichtbar ist, ist der Akku nicht vollständig verriegelt.

**⚠️ VORSICHT:** Schieben Sie den Akku stets bis zum Anschlag ein, bis die rote Anzeige nicht mehr sichtbar ist. Anderenfalls kann er aus dem Werkzeug herausfallen und Sie oder umstehende Personen verletzen.

**⚠️ VORSICHT:** Unterlassen Sie Gewaltanwendung beim Anbringen des Akkus. Falls der Akku nicht reibungslos hineingleitet, ist er nicht richtig ausgerichtet.

### Werkzeug/Akku-Schutzsystem

Das Werkzeug ist mit einem Werkzeug/Akku-Schutzsystem ausgestattet. Dieses System schaltet die Stromversorgung des Motors automatisch ab, um die Lebensdauer von Werkzeug und Akku zu verlängern. Das Werkzeug bleibt während des Betriebs automatisch stehen, wenn das Werkzeug einer der folgenden Bedingungen unterliegt:

Warnlampe			Status
Farbe	● Ein	⦿ Blinkend	
Rot	●	⦿	Überlastung
Rot	●	●	Überhitzung
Rot	●	⦿	Tiefentladung

### Überlastschutz

Falls das Werkzeug in eine der folgenden Situationen gerät, bleibt das Werkzeug automatisch stehen, und die Warnlampe beginnt in Rot zu blinken:

- Das Werkzeug wird durch verheddertes Unkraut oder anderen Unrat überlastet.

- Das Schneidwerkzeug ist blockiert oder hat einen Rückschlag bewirkt.
- Die Hauptbetriebstaste ist eingeschaltet, während der Auslöseschalter betätigt wird.

Lassen Sie in dieser Situation den Auslöseschalter los, und entfernen Sie gegebenenfalls verfangenes Unkraut oder Fremdkörper. Betätigen Sie danach wieder den Auslöseschalter, um fortzufahren.

**⚠ VORSICHT:** Wenn Sie verheddertes Unkraut am Werkzeug entfernen oder das blockierte Schneidwerkzeug befreien müssen, schalten Sie unbedingt das Werkzeug aus, bevor Sie beginnen.

## Überhitzungsschutz für Werkzeug oder Akku

Wenn das Werkzeug oder der Akku überhitzt wird, bleibt das Werkzeug automatisch stehen. Wenn das Werkzeug oder der Akku überhitzt wird, erlöschen die Drehzahlanzeige und die ADT-Anzeige, und die Warnlampe leuchtet in Rot auf. Lassen Sie das Werkzeug und/oder den Akku abkühlen, bevor Sie das Werkzeug wieder einschalten.

## Überentladungsschutz






















Wenn die Akkukapazität niedrig wird, schaltet sich das Werkzeug automatisch aus. Die Drehzahlanzeige und die ADT-Anzeige erlöschen, und die Warnlampe beginnt, in Rot zu blinken. Falls das Werkzeug trotz Betätigung der Schalter nicht funktioniert, nehmen Sie den Akku vom Werkzeug ab, und laden Sie ihn auf.

## Anzeigen der Akku-Restkapazität

### Nur für Akkus mit Anzeige

► **Abb.6:** 1. Anzeigelampen 2. Prüftaste

Drücken Sie die Prüftaste am Akku, um die Akku-Restkapazität anzuzeigen. Die Anzeigelampen leuchten wenige Sekunden lang auf.

Anzeigelampen			Restkapazität
Erleuchtet	Aus	Blinkend	
			75% bis 100%
			
			50% bis 75%
			25% bis 50%
			0% bis 25%
			Den Akku aufladen.
			Möglicherweise liegt eine Funktionsstörung im Akku vor.

**HINWEIS:** Abhängig von den Benutzungsbedingungen und der Umgebungstemperatur kann die Anzeige geringfügig von der tatsächlichen Kapazität abweichen.

## Hauptbetriebsschalter

Tippen Sie auf die Hauptbetriebstaste, um das Werkzeug einzuschalten.

Um das Werkzeug auszuschalten, halten Sie die Hauptbetriebstaste gedrückt, bis die Drehzahlanzeige erlischt.

► **Abb.7:** 1. Drehzahlanzeige 2. Hauptbetriebstaste

**HINWEIS:** Das Werkzeug schaltet sich automatisch aus, wenn es eine bestimmte Zeitlang ohne Bedienung bleibt.

## Schalterfunktion

**⚠ WARNUNG:** Vergewissern Sie sich vor dem Anbringen des Akkus am Werkzeug stets, dass der Ein-Aus-Schalter ordnungsgemäß funktioniert und beim Loslassen in die AUS-Stellung „OFF“ zurückkehrt. Der Betrieb des Werkzeugs mit fehlerhaftem Schalter kann zum Verlust der Kontrolle und zu schweren Verletzungen führen.

**⚠ VORSICHT:** Legen Sie beim Tragen niemals Ihren Finger auf den Schalter. Anderenfalls kann das Werkzeug unbeabsichtigt anlaufen und Verletzungen verursachen.

Um versehentliche Betätigung des Ein-Aus-Schalters zu verhüten, ist das Werkzeug mit einem Einschaltsperrhebel ausgestattet.

Um das Werkzeug zu starten, fassen Sie die Griffstange (der Einschaltsperrhebel wird durch den Zugriff freigegeben), und betätigen Sie dann den Auslöseschalter. Zum Ausschalten des Werkzeugs lassen Sie den Auslöseschalter los.

### DUR190U und DUR191U

► **Abb.8:** 1. Einschaltsperrhebel 2. Ein-Aus-Schalter

### DUR190L und DUR191L











► **Abb.9:** 1. Einschaltsperrhebel 2. Ein-Aus-Schalter

**HINWEIS:** Das Werkzeug schaltet sich automatisch aus, wenn es eine bestimmte Zeitlang ohne jegliche Bedienung gelassen wird.

## Drehzahleinstellung

Sie können die Werkzeugdrehzahl durch Antippen der Hauptbetriebstaste wählen. Mit jedem Antippen der Hauptbetriebstaste ändert sich die Drehzahlstufe.

► **Abb.10:** 1. Drehzahlanzeige 2. Hauptbetriebstaste 3. ADT-Anzeige

Drehzahlanzeige	Betriebsart	Drehzahl
	ADT	3.500 - 6.000 min <sup>-1</sup>
3  2  1 	Hoch	6.000 min <sup>-1</sup>
3  2  1 	Mittel	5.100 min <sup>-1</sup>
3  2  1 	Niedrig	3.500 min <sup>-1</sup>

**HINWEIS:** Wenn Sie die Automatic Torque Drive Technology (Automatische Drehzahlregelung) (ADT) aktivieren, wird die ADT-Anzeige eingeschaltet, und das Werkzeug läuft mit optimaler Drehzahl und optimalem Drehmoment für den Zustand des zu schneidenden Grasses.

## Drehrichtungs-Umkehrtaste für Fremdkörperbeseitigung

**⚠️ WARNUNG:** Schalten Sie das Werkzeug aus, und nehmen Sie den Akku ab, bevor Sie verheddertes Unkraut oder Fremdkörper entfernen, die durch die Drehrichtungs-Umkehrfunktion nicht beseitigt werden können. Werden Ausschalten des Werkzeugs und Abnehmen des Akkus unterlassen, kann es zu schweren Personenschäden durch versehentliches Anlaufen kommen.

Dieses Werkzeug besitzt eine Drehrichtungs-Umkehrtaste, mit der die Drehrichtung gewechselt werden kann. Sie ist nur zum Entfernen von Unkraut und Fremdkörpern vorgesehen, die sich im Werkzeug verfangen haben. Um die Drehrichtung umzukehren, tippen Sie die Drehrichtungs-Umkehrtaste an, und betätigen Sie den Auslöseschalter, während Sie den Einschaltsperrhebel niederdrücken, wenn das Schneidwerkzeug still steht. Die Drehzahlanzeigen und die ADT-Anzeige beginnen zu blinken, und das Schneidwerkzeug dreht sich in umgekehrter Richtung, wenn Sie den Auslöseschalter betätigen. Um wieder auf die normale Drehrichtung umzuschalten, lassen Sie den Auslöser los, und warten Sie, bis das Schneidwerkzeug zum Stillstand kommt.

► **Abb.11:** 1. Drehzahlanzeige 2. ADT-Anzeige  
3. Drehrichtungs-Umkehrtaste

**HINWEIS:** Das Werkzeug läuft nur für eine kurze Zeitspanne in umgekehrter Drehrichtung und bleibt dann automatisch stehen.

**HINWEIS:** Nachdem das Werkzeug zum Stillstand gekommen ist, läuft es wieder in der normalen Drehrichtung, wenn Sie es wieder in Betrieb nehmen.

**HINWEIS:** Wenn Sie die Drehrichtungs-Umkehrtaste antippen, während sich das Schneidwerkzeug noch dreht, kommt das Werkzeug zum Stillstand und ist dann für Rückwärtsdrehung bereit.

## Elektrische Bremse

Dieses Werkzeug ist mit einer elektrischen Bremse ausgestattet. Falls das Werkzeug nach dem Loslassen des Auslöseschalters ständig nicht sofort anhält, lassen Sie es von unserem Kundenzentrum warten.

**⚠️ VORSICHT:** Dieses Bremssystem ist kein Ersatz für die Schutzhaube. Benutzen Sie das Werkzeug niemals ohne die Schutzhaube. Ein ungeschütztes Schneidwerkzeug kann zu ernsthaften Personenschäden führen.

## MONTAGE

**⚠️ WARNUNG:** Vergewissern Sie sich vor der Ausführung von Arbeiten am Werkzeug stets, dass das Werkzeug ausgeschaltet und der Akku abgenommen ist. Werden Ausschalten des Werkzeugs und Abnehmen des Akkus unterlassen, kann es zu schweren Personenschäden durch versehentliches Anlaufen kommen.

**⚠️ WARNUNG:** Starten Sie das Werkzeug niemals, wenn es nicht vollständig zusammengebaut ist. Der Betrieb des unvollständig zusammengebauten Werkzeugs kann zu schweren Personenschäden durch versehentliches Anlaufen führen.

## Montieren der Griffstange

*Nur für DUR190U und DUR191U*

1. Führen Sie den Schaft der Griffstange in den Griff ein. Richten Sie die Schraubenbohrung im Griff auf die Bohrung im Schaft aus. Ziehen Sie die Schraube sicher fest.

► **Abb.12:** 1. Griff 2. Schraube 3. Griffstange

2. Platzieren Sie die Griffstange zwischen Griffstangenklemme und Griffstangenhalter. Stellen Sie die Griffstange auf einen Winkel ein, der eine komfortable Arbeitsposition gestattet, und sichern Sie sie dann mit Innensechskantschrauben.

► **Abb.13:** 1. Innensechskantschraube  
2. Griffstangenklemme  
3. Griffstangenhalter

## Anbringen der Barriere

*Für DUR190L und DUR191L*

Falls die Barriere im Lieferumfang Ihres Modells enthalten ist, befestigen Sie sie mit der an der Barriere angebrachten Schraube am Bügelgriff.

► **Abb.14:** 1. Barriere 2. Schraube

**⚠️ VORSICHT:** Die Barriere darf nach der Montage nicht entfernt werden. Die Barriere fungiert als Sicherheitsteil, um zu verhindern, dass Sie versehentlich mit dem Schneidblatt in Berührung kommen.

## Montieren des Zubehörrohrs

### Nur für DUR191U und DUR191L

Montieren Sie das Zubehörrohr am Antriebsaggregat.

1. Schwenken Sie den Hebel in Pfeilrichtung, wie in der Abbildung gezeigt.

► **Abb.15:** 1. Hebel

2. Ziehen Sie die Verbindungsabdeckung hoch, und führen Sie das Zubehörrohr ein, während Sie den Vorsprung am Rohr (Schneidwerkzeugeise) auf die Vertiefung des Verbindungssteils ausrichten.

► **Abb.16:** 1. Verriegelungshebel  
2. Verbindungsabdeckung 3. Rohr

Vergewissern Sie sich, dass die Oberfläche des Verriegelungshebels parallel zum Rohr ist.

3. Schwenken Sie den Hebel in Pfeilrichtung, wie in der Abbildung gezeigt.

► **Abb.17:** 1. Hebel

Zum Entfernen des Rohrs schwenken Sie den Hebel in Pfeilrichtung, wie in der Abbildung gezeigt, und ziehen Sie das Rohr heraus, während Sie den Verriegelungshebel niederdrücken.

► **Abb.18:** 1. Hebel 2. Verriegelungshebel 3. Rohr

## Montieren der Schutzhaube

**⚠️ WARNUNG:** Benutzen Sie das Werkzeug niemals ohne die abgebildete Schutzhaube. Andernfalls kann es zu schweren Personenschäden kommen.

**⚠️ VORSICHT:** Achten Sie darauf, dass Sie sich beim Abschneiden des Nylonfadens nicht am Abscheider verletzen.

Befestigen Sie die Schutzhaube mit Schrauben an der Klemme.

► **Abb.19:** 1. Klemme 2. Schutzhaube 3. Schneidglied

## Montieren des Schneidwerkzeugs

**HINWEIS:** Der Typ der als Standardzubehör mitgelieferten Schneidwerkzeuge ist je nach Land unterschiedlich. In manchen Ländern ist kein Schneidwerkzeug im Lieferumfang enthalten.

**HINWEIS:** Drehen Sie das Werkzeug um, damit Sie das Schneidwerkzeug leicht auswechseln können.

## Schneidblatt

**⚠️ VORSICHT:** Tragen Sie zum Anfassen eines Schneidblatts immer Handschuhe, und setzen Sie die Schneidblattabdeckung auf das Schneidblatt.

**⚠️ VORSICHT:** Das Schneidblatt muss gut geschliffen sein und darf keine Risse oder Brüche aufweisen. Falls das Schneidblatt während des Betriebs gegen einen Stein stößt, halten Sie das Werkzeug an, und überprüfen Sie das Schneidblatt sofort.

**⚠️ VORSICHT:** Verwenden Sie stets das Schneidblatt, dessen Durchmesser im Abschnitt für die technischen Daten beschrieben ist.

► **Abb.20:** 1. Mutter 2. Manschette 3. Klemmscheibe  
4. Schneidblatt 5. Spindel 6. Schutzteil  
7. Spindelarretierknopf

1. Montieren Sie das Schneidblatt am Schutzteil, so dass die Pfeile auf Schneidblatt und Schutzhaube in die gleiche Richtung zeigen.

► **Abb.21:** 1. Pfeil

2. Setzen Sie Klemmscheibe und Manschette auf das Schneidblatt.

3. Während Sie den Spindelarretierknopf niedergedrückt halten, ziehen Sie die Mutter mit dem Ringschlüssel sicher fest.

► **Abb.22:** 1. Spindelarretierknopf 2. Ringschlüssel  
3. Lösen 4. Anziehen

Um das Schneidblatt zu entfernen, lösen Sie die Mutter, während Sie den Spindelarretierknopf niederhalten.

## Nylonfadenkopf

**ANMERKUNG:** Verwenden Sie unbedingt den Original-Nylonfadenkopf von Makita.

Während Sie den Spindelarretierknopf niederhalten, setzen Sie den Nylonfadenkopf auf die Spindel, und ziehen Sie ihn von Hand sicher fest.

► **Abb.23:** 1. Nylonfadenkopf 2. Spindel  
3. Spindelarretierknopf 4. Lösen  
5. Anziehen

Um den Nylonfadenkopf zu entfernen, lösen Sie den Nylonfadenkopf, während Sie den Spindelarretierknopf niederhalten.

## Kunststoffmesser

**ANMERKUNG:** Verwenden Sie unbedingt ein Original-Makita-Kunststoffmesser.

Während Sie den Spindelarretierknopf niederhalten, setzen Sie das Kunststoffmesser auf die Spindel, und ziehen Sie es von Hand sicher fest.

► **Abb.24:** 1. Kunststoffmesser 2. Spindel  
3. Spindelarretierknopf 4. Lösen  
5. Anziehen

Um das Kunststoffmesser zu entfernen, lösen Sie das Kunststoffmesser, während Sie den Spindelarretierknopf niederhalten.

**HINWEIS:** Zum Montieren/Demontieren des Schneidwerkzeugs können Sie den mitgelieferten Inbusschlüssel verwenden. Führen Sie den Inbusschlüssel in das Loch ein, wie in der Abbildung gezeigt, um die Spindel zu arretieren.

► **Abb.25:** 1. Inbusschlüssel 2. Loch

**⚠️ VORSICHT:** Verwenden Sie immer die mitgelieferten Schraubenschlüssel zum Montieren/Demontieren des Schneidwerkzeugs.

**⚠️ VORSICHT:** Denken Sie unbedingt daran, den in den Werkzeugkopf eingeführten Inbusschlüssel nach dem Montieren des Schneidwerkzeugs wieder zu entfernen.

## Einstellen der Position der Griffstange/des Aufhängers

Stellen Sie die Position der Griffstange und des Aufhängers ein, um eine komfortable Handhabung des Werkzeugs zu erhalten.

### Für DUR190U und DUR191U

Stellen Sie die Position der Griffstange/des Aufhängers so ein, dass das Werkzeug in den Bereich kommt, wie unten gezeigt.

► **Abb.26**

1	Position des Aufhängers über dem Boden
2	Position des Schneidwerkzeugs über dem Boden
3	Horizontaler Abstand zwischen dem Aufhänger und dem ungeschützten Teil des Schneidwerkzeugs

Lösen Sie die Innensechskantschrauben an der Unterseite des Griffstangenhalters. Bewegen Sie die Griffstange auf eine komfortable Arbeitsposition, und ziehen Sie dann die Schrauben fest.

► **Abb.27:** 1. Griffstangenhalter  
2. Innensechskantschraube 3. Griffstange

Lösen Sie die Innensechskantschrauben am Aufhänger. Bewegen Sie den Aufhänger auf eine komfortable Arbeitsposition, und ziehen Sie dann die Schrauben fest.

► **Abb.28:** 1. Innensechskantschraube 2. Aufhänger

### Für DUR190L und DUR191L

Lösen Sie die Innensechskantschrauben an der Griffstange. Bewegen Sie die Griffstange auf eine komfortable Arbeitsposition, und ziehen Sie dann die Schrauben fest.

► **Abb.29:** 1. Innensechskantschraube 2. Griffstange

Lösen Sie die Innensechskantschraube am Aufhänger. Bewegen Sie den Aufhänger auf eine komfortable Arbeitsposition, und ziehen Sie dann die Schraube fest.

► **Abb.30:** 1. Innensechskantschraube 2. Aufhänger

## Aufbewahrung des Inbusschlüssels

Der Inbusschlüssel kann an der in der Abbildung gezeigten Stelle aufbewahrt werden, damit er nicht verloren geht.

► **Abb.31:** 1. Inbusschlüssel

### Nur für DUR190L und DUR191L

► **Abb.32:** 1. Griffstange 2. Inbusschlüssel

## BETRIEB

### Anbringen des Schultergurts

**⚠ VORSICHT:** Benutzen Sie immer den am Werkzeug angebrachten Schultergurt. Stellen Sie den Schultergurt vor der Arbeit auf die Benutzergröße ein, um Ermüdung zu verhüten.

**⚠ VORSICHT:** Vergewissern Sie sich vor dem Betrieb, dass der Schultergurt einwandfrei am Aufhänger des Werkzeugs angebracht ist.

Hängen Sie den Haken des Schultergurts in den Aufhänger ein, und legen Sie den Schultergurt an. Vergewissern Sie sich, dass das Werkzeug vom Schultergurt sicher gehalten wird.

### DUR190U und DUR191U

► **Abb.33:** 1. Haken 2. Aufhänger

### DUR190L und DUR191L

► **Abb.34:** 1. Haken 2. Aufhänger

## Abnehmen

Der Schultergurt besitzt eine Schnellentriegelung.

### DUR190U und DUR191U

► **Abb.35:** 1. Streifen

Ziehen Sie den Streifen heraus, um das Werkzeug vom Schultergurt zu lösen.

### DUR190L und DUR191L

► **Abb.36:** 1. Schnalle

Drücken Sie einfach die Seiten der Schnalle zusammen, um das Werkzeug vom Schultergurt zu lösen.

## Korrekte Handhabung des Werkzeugs

**⚠ WARNUNG:** Halten Sie das Werkzeug immer auf Ihrer rechten Seite. Korrekte Haltung des Werkzeugs gewährleistet maximale Kontrolle und verringert die Gefahr von durch Rückstoß verursachten schweren Personenschäden.

**⚠ WARNUNG:** Lassen Sie äußerste Sorgfalt walten, um immer die Kontrolle über das Werkzeug zu behalten. Achten Sie darauf, dass das Werkzeug nicht zu Ihnen oder einer anderen Person im Arbeitsbereich abgelenkt wird. Verlust der Kontrolle über das Werkzeug kann zu schweren Verletzungen von Umstehenden und Bediener führen.

**⚠ WARNUNG:** Um einen Unfall zu vermeiden, halten Sie einen Abstand von mehr als 15 m zwischen Arbeitern ein, wenn zwei oder mehr Arbeiter im selben Bereich arbeiten. Beauftragen Sie außerdem eine Person, den Abstand zwischen den Arbeitern zu beobachten. Falls eine Person oder ein Tier in den Arbeitsbereich eintritt, brechen Sie sofort die Arbeit ab.

**⚠ VORSICHT:** Falls das Schneidwerkzeug während des Betriebs versehentlich gegen einen Stein oder ein hartes Objekt stößt, halten Sie das Werkzeug an, und überprüfen Sie es auf etwaige Beschädigung. Falls das Schneidwerkzeug beschädigt wird, ist es sofort auszuwechseln. Die Verwendung eines beschädigten Schneidwerkzeugs kann zu schweren Personenschäden führen.

**⚠ VORSICHT:** Entfernen Sie die Schneidblattabdeckung beim Schneiden von Gras vom Schneidblatt.



Korrekte Positionierung und Handhabung ermöglichen optimale Kontrolle und verringern die durch Rückschlag verursachte Verletzungsgefahr.

#### **DUR190U und DUR191U**

► Abb.37

#### **DUR190L und DUR191L**

► Abb.38

#### **Bei Verwendung eines Nylonfadenskopfes (Stoßvorschub-Ausführung)**

Der Nylonfadenskopf ist ein doppelter Fadentrimmerkopf mit Stoßvorschub-Mechanismus.

Um den Nylonfaden ausziehen, klopfen Sie den Schneidkopf gegen den Boden auf, während er sich dreht.

► **Abb.39:** 1. Effektivster Schneidbereich

**ANMERKUNG:** Der Stoßvorschub funktioniert nicht richtig, wenn sich der Nylonfadenskopf nicht dreht.

**HINWEIS:** Wird der Nylonfaden nicht durch Anklopfen des Kopfes ausgezogen, wickeln Sie den Nylonfaden auf, oder ersetzen Sie ihn nach dem im Abschnitt für die Wartung beschriebenen Verfahren.

## **WARTUNG**

**⚠ WARNUNG:** Vergewissern Sie sich vor der Durchführung von Inspektions- oder Wartungsarbeiten am Werkzeug stets, dass das Werkzeug ausgeschaltet und der Akku abgenommen ist. Werden Ausschalten des Werkzeugs und Abnehmen des Akkus unterlassen, kann es zu schweren Personenschäden durch versehentliches Anlaufen kommen.

**ANMERKUNG:** Verwenden Sie auf keinen Fall Benzin, Waschbenzin, Verdünnern, Alkohol oder dergleichen. Solche Mittel können Verfärbung, Verformung oder Rissbildung verursachen.

Um die SICHERHEIT und ZUVERLÄSSIGKEIT dieses Produkts zu gewährleisten, sollten Reparaturen und andere Wartungs- oder Einstellarbeiten nur von Makita-Vertragswerkstätten oder Makita-Kundendienstzentren unter ausschließlicher Verwendung von Makita-Originalersatzteilen ausgeführt werden.

## **Auswechseln des Nylonfadens**

**⚠ WARNUNG:** Verwenden Sie nur Nylonfaden mit dem in dieser Betriebsanleitung angegebenen Durchmesser. Verwenden Sie keinesfalls eine schwerere Schnur, einen Metalldraht, ein Seil oder dergleichen. Anderenfalls kann es zu einer Beschädigung des Werkzeugs mit daraus resultierenden schweren Personenschäden kommen.

**⚠ WARNUNG:** Nehmen Sie immer den Nylonfadenskopf vom Werkzeug ab, wenn Sie den Nylonfaden austauschen.

**⚠ WARNUNG:** Vergewissern Sie sich, dass die Abdeckung des Nylonfadenskopfes ordnungsgemäß am Gehäuse gesichert ist, wie in dieser Betriebsanleitung beschrieben. Bei unsachgemäß gesicherter Abdeckung kann der Nylonfadenskopf auseinander fliegen und schwere Personenschäden verursachen.

Ersetzen Sie den Nylonfaden, falls er nicht mehr vorgeschoben wird. Das Austauschverfahren des Nylonfadens hängt von dem Typ des Nylonfadenskopfes ab.

### **95-M10L**

► Abb.40

## **Austauschen des Kunststoffmessers**

Tauschen Sie das Kunststoffmesser aus, wenn es abgenutzt oder beschädigt ist.

► **Abb.41**

Wenn Sie das Kunststoffmesser montieren, richten Sie den Pfeil auf dem Messer auf den der Schutzhaube aus.

► **Abb.42:** 1. Pfeil auf der Schutzhaube 2. Pfeil auf dem Messer

# FEHLERSUCHE

Bevor Sie den Reparaturdienst anrufen, führen Sie zunächst Ihre eigene Inspektion durch. Falls Sie ein Problem finden, das nicht in der Anleitung erläutert wird, versuchen Sie nicht, das Werkzeug zu zerlegen. Wenden Sie sich stattdessen an autorisierte Makita-Kundendienstzentren, und achten Sie darauf, dass stets Makita-Ersatzteile für Reparaturen verwendet werden.

Zustand der Unregelmäßigkeit	Wahrscheinliche Ursache (Funktionsstörung)	Abhilfemaßnahme
Der Motor läuft nicht.	Der Akku ist nicht eingesetzt.	Den Akku einsetzen.
	Akkustörung (Unterspannung)	Den Akku aufladen. Falls Laden nichts nützt, den Akku austauschen.
	Das Antriebssystem funktioniert nicht korrekt.	Wenden Sie sich bezüglich einer Reparatur an Ihr autorisiertes Kundendienstzentrum.
Der Motor bleibt nach kurzer Zeit stehen.	Der Ladestand des Akkus ist niedrig.	Den Akku aufladen. Falls Laden nichts nützt, den Akku austauschen.
	Überhitzung.	Brechen Sie die Benutzung des Werkzeugs ab, um es abkühlen zu lassen.
Die Maximaldrehzahl wird nicht erreicht.	Der Akku ist falsch eingesetzt.	Setzen Sie den Akku gemäß der Beschreibung in dieser Anleitung ein.
	Die Akkuleistung lässt nach.	Den Akku aufladen. Falls Laden nichts nützt, den Akku austauschen.
	Das Antriebssystem funktioniert nicht korrekt.	Wenden Sie sich bezüglich einer Reparatur an Ihr autorisiertes Kundendienstzentrum.
Das Schneidwerkzeug dreht sich nicht: ⇒ Die Maschine unverzüglich stoppen!	Ein Fremdkörper, wie z. B. ein Ast, klemmt zwischen Schutzhaube und Schneidwerkzeug.	Entfernen Sie den Fremdkörper.
	Das Antriebssystem funktioniert nicht korrekt.	Wenden Sie sich bezüglich einer Reparatur an Ihr autorisiertes Kundendienstzentrum.
Ungewöhnliche Vibration: ⇒ Die Maschine unverzüglich stoppen!	Ein Ende des Nylonfadens ist beschädigt.	Klopfen Sie den Nylonfadenkopf auf den Boden auf, während er sich dreht, um Ausziehen des Fadens zu bewirken.
	Das Antriebssystem funktioniert nicht korrekt.	Wenden Sie sich bezüglich einer Reparatur an Ihr autorisiertes Kundendienstzentrum.
Schneidwerkzeug und Motor bleiben nicht stehen: ⇒ Den Akku unverzüglich entfernen!	Funktionsstörung der Elektrik oder Elektronik.	Entfernen Sie den Akku, und wenden Sie sich bezüglich einer Reparatur an Ihr autorisiertes Kundendienstzentrum.

## SONDERZUBEHÖR

**⚠️ WARNUNG:** Verwenden Sie nur die in dieser Anleitung angegebenen empfohlenen Zubehörteile oder Vorrichtungen. Der Gebrauch anderer Zubehörteile oder Vorrichtungen kann zu ernsthaften Personenschäden führen.

**⚠️ VORSICHT:** Die folgenden Zubehörteile oder Vorrichtungen werden für den Einsatz mit dem in dieser Anleitung beschriebenen Makita-Werkzeug empfohlen. Die Verwendung anderer Zubehörteile oder Vorrichtungen kann eine Verletzungsgefahr darstellen. Verwenden Sie Zubehörteile oder Vorrichtungen nur für ihren vorgesehenen Zweck.

**HINWEIS:** Manche Teile in der Liste können als Standardzubehör im Werkzeugsatz enthalten sein. Sie können von Land zu Land unterschiedlich sein.

Wenn Sie weitere Einzelheiten bezüglich dieser Zubehörteile benötigen, wenden Sie sich bitte an Ihre Makita-Kundendienststelle.

- Schneidblatt
- Nylonfadenkopf
- Nylonfaden (Schneidfaden)
- Kunststoffmesser
- Original-Makita-Akku und -Ladegerät



## DATI TECNICI

Modello:		DUR190U	DUR190L	DUR191U	DUR191L
Tipo di maniglia		Maniglia a manubrio	Maniglia ad anello	Maniglia a manubrio	Maniglia ad anello
Velocità a vuoto		3: 6.000 min <sup>-1</sup> 2: 5.100 min <sup>-1</sup> 1: 3.500 min <sup>-1</sup>			
Lunghezza complessiva (utensile da taglio escluso)		1.775 mm			
Diametro filo di nylon		2,0 - 2,4 mm			
Utensile da taglio applicabile e diametro di taglio	Lama a 3 denti (N/P 191J34-5)	230 mm			
	Lama a 4 denti (N/P 729025-2)	230 mm			
	Testina da taglio in nylon (N/P 126674-0)	300 mm			
	Lama di plastica (N/P 126642-3)	230 mm			
Tensione nominale		18 V CC			
Peso netto		3,1 - 3,4 kg	2,9 - 3,2 kg	3,4 - 3,7 kg	3,2 - 3,5 kg

- A causa del nostro programma continuativo di ricerca e sviluppo, i dati tecnici sono soggetti a modifiche senza preavviso.
- I dati tecnici possono variare da nazione a nazione.
- Il peso può variare a seconda dell'accessorio o degli accessori, inclusa la cartuccia della batteria. La combinazione più leggera e quella più pesante, secondo la procedura EPTA 01/2014, sono indicate nella tabella.

### Cartuccia della batteria e caricabatterie applicabili

Cartuccia della batteria	BL1815N / BL1820 / BL1820B / BL1830 / BL1830B / BL1840 / BL1840B / BL1850 / BL1850B / BL1860B
Caricabatterie	DC18RC / DC18RD / DC18RE / DC18SD / DC18SE / DC18SF / DC18SH

- Alcune cartucce delle batterie e alcuni caricabatterie elencati sopra potrebbero non essere disponibili a seconda della propria area geografica di residenza.

**⚠AVVERTIMENTO:** Utilizzare solo le cartucce delle batterie e i caricabatterie elencati sopra. L'utilizzo di altre cartucce delle batterie e di altri caricabatterie potrebbe causare lesioni personali e/o un incendio.

### Alimentatore a batterie consigliato

Adattatore per batterie	PDC01
-------------------------	-------

- L'alimentatore o gli alimentatori a batterie elencati sopra potrebbero non essere disponibili, a seconda della propria area geografica di residenza.
- Prima di utilizzare l'alimentatore a batterie, leggere le istruzioni e le indicazioni delle avvertenze riportate sull'alimentatore a batterie.

# Rumorosità

## Modello DUR190U

Utensile da taglio	Livello di pressione sonora ( $L_{pA}$ ) dB(A)		Livello di potenza sonora ( $L_{WA}$ ) dB(A)		Standard applicabile
	$L_{pA}$ dB(A)	Incertezza (K) dB(A)	$L_{WA}$ dB(A)	Incertezza (K) dB(A)	
Lama a 4 denti	77,0	3,9	91,6	2,4	ISO22868 (ISO11806-1)
Testina da taglio in nylon	74,0	1,9	87,1	0,9	ISO22868 (ISO11806-1)/ EN50636-2-91
Lama di plastica	75,6	1,3	85,9	2,1	ISO22868 (ISO11806-1)/ EN50636-2-91

## Modello DUR190L

Utensile da taglio	Livello di pressione sonora ( $L_{pA}$ ) dB(A)		Livello di potenza sonora ( $L_{WA}$ ) dB(A)		Standard applicabile
	$L_{pA}$ dB(A)	Incertezza (K) dB(A)	$L_{WA}$ dB(A)	Incertezza (K) dB(A)	
Lama a 4 denti	77,0	3,9	91,6	2,4	ISO22868 (ISO11806-1)
Testina da taglio in nylon	74,0	1,9	87,1	0,9	ISO22868 (ISO11806-1)/ EN50636-2-91
Lama di plastica	75,6	1,3	85,9	2,1	ISO22868 (ISO11806-1)/ EN50636-2-91

## Modello DUR191U

Utensile da taglio	Livello di pressione sonora ( $L_{pA}$ ) dB(A)		Livello di potenza sonora ( $L_{WA}$ ) dB(A)		Standard applicabile
	$L_{pA}$ dB(A)	Incertezza (K) dB(A)	$L_{WA}$ dB(A)	Incertezza (K) dB(A)	
Lama a 4 denti	77,0	3,9	91,6	2,4	ISO22868 (ISO11806-1)
Testina da taglio in nylon	74,0	1,9	87,1	0,9	ISO22868 (ISO11806-1)/ EN50636-2-91
Lama di plastica	75,6	1,3	85,9	2,1	ISO22868 (ISO11806-1)/ EN50636-2-91

## Modello DUR191L

Utensile da taglio	Livello di pressione sonora ( $L_{pA}$ ) dB(A)		Livello di potenza sonora ( $L_{WA}$ ) dB(A)		Standard applicabile
	$L_{pA}$ dB(A)	Incertezza (K) dB(A)	$L_{WA}$ dB(A)	Incertezza (K) dB(A)	
Lama a 4 denti	77,0	3,9	91,6	2,4	ISO22868 (ISO11806-1)
Testina da taglio in nylon	74,0	1,9	87,1	0,9	ISO22868 (ISO11806-1)/ EN50636-2-91
Lama di plastica	75,6	1,3	85,9	2,1	ISO22868 (ISO11806-1)/ EN50636-2-91

- Anche se il livello di pressione sonora indicato sopra è di 80 dB (A) o inferiore, il livello acustico in condizioni di lavoro potrebbe superare gli 80 dB (A). Indossare protezioni acustiche.

**NOTA:** Il valore o i valori dichiarati delle emissioni di rumori sono stati misurati in conformità a un metodo standard di verifica, e possono essere utilizzati per confrontare un utensile con un altro.

**NOTA:** Il valore o i valori dichiarati delle emissioni di rumori possono venire utilizzati anche per una valutazione preliminare dell'esposizione.

**⚠AVVERTIMENTO:** Indossare protezioni per le orecchie.

**⚠AVVERTIMENTO:** L'emissione di rumori durante l'utilizzo effettivo dell'utensile elettrico può variare rispetto al valore o ai valori dichiarati, a seconda dei modi in cui viene utilizzato l'utensile e specialmente a seconda di che tipo di pezzo venga lavorato.

**⚠AVVERTIMENTO:** Accertarsi di identificare misure di sicurezza per la protezione dell'operatore che siano basate su una stima dell'esposizione nelle condizioni effettive di utilizzo (tenendo conto di tutte le parti del ciclo operativo, ad esempio del numero di spegnimenti dell'utensile e di quando giri a vuoto, oltre al tempo di attivazione).

## Vibrazioni

### Modello DUR190U

Utensile da taglio	Mano sinistra		Mano destra		Standard applicabile
	$a_{h,w}$ (m/s <sup>2</sup> )	Incertezza K (m/s <sup>2</sup> )	$a_{h,w}$ (m/s <sup>2</sup> )	Incertezza K (m/s <sup>2</sup> )	
Lama a 4 denti	≤ 2,5	1,5	≤ 2,5	1,5	ISO22867 (ISO11806-1)
Testina da taglio in nylon	≤ 2,5	1,5	≤ 2,5	1,5	ISO22867 (ISO11806-1)
Lama di plastica	≤ 2,5	1,5	≤ 2,5	1,5	ISO22867 (ISO11806-1)

### Modello DUR190L

Utensile da taglio	Mano sinistra		Mano destra		Standard applicabile
	$a_{h,w}$ (m/s <sup>2</sup> )	Incertezza K (m/s <sup>2</sup> )	$a_{h,w}$ (m/s <sup>2</sup> )	Incertezza K (m/s <sup>2</sup> )	
Lama a 4 denti	≤ 2,5	1,5	≤ 2,5	1,5	ISO22867 (ISO11806-1)
Testina da taglio in nylon	≤ 2,5	1,5	≤ 2,5	1,5	ISO22867 (ISO11806-1)
Lama di plastica	≤ 2,5	1,5	≤ 2,5	1,5	ISO22867 (ISO11806-1)

### Modello DUR191U

Utensile da taglio	Mano sinistra		Mano destra		Standard applicabile
	$a_{h,w}$ (m/s <sup>2</sup> )	Incertezza K (m/s <sup>2</sup> )	$a_{h,w}$ (m/s <sup>2</sup> )	Incertezza K (m/s <sup>2</sup> )	
Lama a 4 denti	≤ 2,5	1,5	≤ 2,5	1,5	ISO22867 (ISO11806-1)
Testina da taglio in nylon	≤ 2,5	1,5	≤ 2,5	1,5	ISO22867 (ISO11806-1)
Lama di plastica	≤ 2,5	1,5	≤ 2,5	1,5	ISO22867 (ISO11806-1)

### Modello DUR191L

Utensile da taglio	Mano sinistra		Mano destra		Standard applicabile
	$a_{h,w}$ (m/s <sup>2</sup> )	Incertezza K (m/s <sup>2</sup> )	$a_{h,w}$ (m/s <sup>2</sup> )	Incertezza K (m/s <sup>2</sup> )	
Lama a 4 denti	≤ 2,5	1,5	≤ 2,5	1,5	ISO22867 (ISO11806-1)
Testina da taglio in nylon	≤ 2,5	1,5	≤ 2,5	1,5	ISO22867 (ISO11806-1)
Lama di plastica	≤ 2,5	1,5	≤ 2,5	1,5	ISO22867 (ISO11806-1)

**NOTA:** Il valore o i valori complessivi delle vibrazioni dichiarati sono stati misurati in conformità a un metodo standard di verifica, e possono essere utilizzati per confrontare un utensile con un altro.

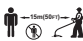



**NOTA:** Il valore o i valori complessivi delle vibrazioni dichiarati possono venire utilizzati anche per una valutazione preliminare dell'esposizione.

**⚠AVVERTIMENTO:** L'emissione delle vibrazioni durante l'utilizzo effettivo dell'utensile elettrico può variare rispetto al valore o ai valori dichiarati, a seconda dei modi in cui viene utilizzato l'utensile, specialmente a seconda di che tipo di pezzo venga lavorato.

**⚠AVVERTIMENTO:** Accertarsi di identificare misure di sicurezza per la protezione dell'operatore che siano basate su una stima dell'esposizione nelle condizioni effettive di utilizzo (tenendo conto di tutte le parti del ciclo operativo, ad esempio del numero di spegnimenti dell'utensile e di quando giri a vuoto, oltre al tempo di attivazione).

## Simboli

La figura seguente mostra i simboli utilizzati per l'apparecchio. Accertarsi di comprendere il loro significato prima dell'uso.

	Adottare cura e attenzione particolari.
	Leggere il manuale d'uso.
	Mantenere una distanza di almeno 15 m.
	Pericolo; fare attenzione agli oggetti scagliati.
	Attenzione: contraccolpo
	Indossare un elmetto, occhiali protettivi e protezioni acustiche.
	Indossare guanti protettivi.
	Indossare stivali robusti con soles antiscivolo. Si consiglia l'utilizzo di stivali antinfortunistici con puntale in acciaio.
	Non esporre all'umidità.
	Solo per le nazioni UE Non smaltire apparecchiature elettriche o batterie insieme ai rifiuti domestici! In osservanza delle direttive europee sui rifiuti di apparecchiature elettriche ed elettroniche (RAEE), e su batterie ed accumulatori, e sui rifiuti di batterie ed accumulatori, e sulla relativa implementazione in conformità alle norme nazionali, le apparecchiature elettriche e le batterie che hanno raggiunto la fine della loro vita utile devono essere sottoposte a raccolta differenziata e conferite a una struttura di riciclaggio ecocompatibile.

## Dichiarazione di conformità CE

### Solo per i paesi europei

La dichiarazione di conformità CE è inclusa nell'Allegato A al presente manuale di istruzioni.

## AVVERTENZE DI SICUREZZA

### Avvertenze generali relative alla sicurezza dell'utensile elettrico

**⚠AVVERTIMENTO:** Leggere tutte le avvertenze di sicurezza, le istruzioni, le illustrazioni e i dati tecnici forniti con il presente utensile elettrico. La mancata osservanza di tutte le istruzioni elencate di seguito potrebbe risultare in scosse elettriche, incendi e/o gravi lesioni personali.

### Conservare tutte le avvertenze e le istruzioni come riferimento futuro.

Il termine "utensile elettrico" nelle avvertenze si riferisce sia all'utensile elettrico (cablato) nel funzionamento alimentato da rete elettrica che all'utensile elettrico (a batteria) nel funzionamento alimentato a batteria.

### Istruzioni di sicurezza importanti per l'utensile

**⚠AVVERTIMENTO:** Leggere tutte le avvertenze relative alla sicurezza e tutte le istruzioni. La mancata osservanza delle avvertenze e delle istruzioni può risultare in scosse elettriche, incendi e/o gravi lesioni personali.

### Conservare tutte le avvertenze e le istruzioni come riferimento futuro.

### Utilizzo previsto

1. Questo utensile è destinato al taglio di erba, erbacce, cespugli e sottobosco. Non va utilizzato per altri scopi di alcun genere, ad esempio il taglio di bordi o la potatura di siepi, in quanto questo potrebbe causare lesioni personali.

### Istruzioni generali

1. Non consentire mai l'utilizzo dell'utensile a persone che non abbiano familiarità con le presenti istruzioni, a persone (inclusi i bambini) dalle capacità fisiche, sensoriali o mentali ridotte, o prive di esperienza e preparazione. I bambini devono essere tenuti sotto controllo per assicurare che non giochino con l'utensile.
2. Prima di avviare l'utensile, leggere il presente manuale d'uso per familiarizzare con l'utilizzo dell'utensile.
3. Non prestare l'utensile a persone dotate di esperienza o nozioni insufficienti relative all'utilizzo dei decespugliatori e dei decespugliatori a filo.

4. Quando si intende prestare l'utensile, allegarvi sempre il presente manuale d'uso.
5. Maneggiare l'utensile con la massima cura e attenzione.
6. Non utilizzare mai l'utensile dopo aver fatto uso di alcool o droghe, o in condizioni fisiche di stanchezza o malattia.
7. Non tentare mai di modificare l'utensile.
8. Attenersi alle normative relative all'uso dei decespugliatori e dei decespugliatori a filo nella propria nazione.

## Attrezzatura di protezione personale

### ► Fig.1

1. Indossare un casco di sicurezza, occhiali protettivi e guanti protettivi per proteggersi da detriti volanti oppure oggetti che cadano.
2. Indossare protezioni per l'udito, ad esempio cuffie antirumore, per prevenire perdite dell'udito.
3. Indossare indumenti e calzature appropriati per un utilizzo sicuro, ad esempio una tuta da lavoro e scarpe robuste e antiscivolo. Non indossare indumenti troppo larghi o gioielli. Indumenti troppo larghi, gioielli o capelli lunghi possono restare impigliati nelle parti in movimento.
4. Quando si intende toccare la lama da taglio, indossare guanti protettivi. Le lame da taglio possono tagliare gravemente le mani nude.

## Sicurezza dell'area di lavoro

1. Utilizzare l'utensile esclusivamente in condizioni di buona visibilità e sotto luce diurna. Non utilizzare l'utensile al buio o nella nebbia.
2. Non utilizzare l'utensile in atmosfere esplosive, ad esempio in presenza di liquidi, gas o polveri infiammabili. L'utensile genera scintille che potrebbero incendiare le polveri o i fumi.
3. Durante l'uso, non stare mai in piedi su superfici instabili o scivolose o su pendii ripidi. Durante la stagione fredda, fare attenzione al ghiaccio e alla neve e assicurare sempre un saldo equilibrio sui piedi.
4. Durante l'uso, tenere astanti o animali a una distanza di almeno 15 m dall'utensile. Arrestare l'utensile non appena si avvicina qualcuno.
5. Non utilizzare mai l'utensile mentre delle persone, specialmente bambini, o degli animali sono nelle vicinanze.
6. Prima dell'uso, esaminare l'eventuale presenza nell'area di lavoro di pietre o altri oggetti solidi. Questi oggetti possono essere scagliati o causare un contraccolpo pericoloso e risultare in gravi lesioni personali e/o danni alle cose.
7. **⚠AVVERTENZA:** L'uso di questo prodotto può creare polveri contenenti sostanze chimiche, che potrebbero causare malattie respiratorie o di altro genere. Alcuni esempi di tali sostanze chimiche sono i composti che si trovano nei pesticidi, negli insetticidi, nei fertilizzanti e negli erbicidi. Il rischio per l'utente derivante dall'esposizione a queste sostanze varia a seconda della frequenza di questo tipo di lavoro. Per ridurre l'esposizione a tali sostanze chimiche, lavorare in un'area ben ventilata e utilizzare attrezzature di sicurezza certificate, ad esempio maschere antipolvere progettate specialmente per il filtraggio dei particolati microscopici.

## Sicurezza elettrica e della batteria

1. Non esporre l'utensile alla pioggia o a condizioni di bagnato. La penetrazione di acqua nell'utensile incrementa il rischio di scosse elettriche.
2. Non utilizzare l'utensile qualora l'interruttore non consenta di accenderlo e spegnerlo. Qualsiasi utensile che non possa essere controllato mediante l'interruttore è pericoloso e deve essere riparato.
3. Evitare l'avvio accidentale. Accertarsi che l'interruttore sia nella posizione di spegnimento prima di inserire una cartuccia della batteria e di sollevare o trasportare l'utensile. Il trasporto dell'utensile con il dito appoggiato sull'interruttore o il collegamento all'alimentazione elettrica di un utensile con l'interruttore di accensione attivato favoriscono gli incidenti.
4. Non smaltire le batterie nel fuoco. La cella potrebbe esplodere. Controllare le normative locali per eventuali istruzioni speciali relative allo smaltimento.
5. Non aprire né fare a pezzi le batterie. L'elettrolita rilasciato è corrosivo, e potrebbe causare danni agli occhi o alla pelle. Inoltre, potrebbe essere tossico, se inghiottito.
6. Non caricare la batteria sotto la pioggia o in condizioni di bagnato.

## Messa in funzione

1. Prima di montare o regolare l'utensile, rimuovere la cartuccia della batteria.
2. Prima di maneggiare la lama da taglio, indossare guanti protettivi.
3. Prima di installare la cartuccia della batteria, ispezionare l'utensile alla ricerca di eventuali danni, viti/dadi allentati o montaggio errato. Affilare una lama da taglio smussata. Qualora la lama da taglio sia piegata o danneggiata, sostituirla. Verificare che tutte le leve e gli interruttori di controllo funzionino agevolmente. Pulire e asciugare le maniglie.
4. Non tentare mai di accendere l'utensile qualora sia danneggiato o non sia stato completamente assemblato. In caso contrario, si potrebbero causare gravi lesioni personali.
5. Regolare la tracolla e l'impugnatura per adattarle alla taglia del corpo dell'operatore.
6. Quando si inserisce una cartuccia della batteria, tenere l'accessorio da taglio lontano dal proprio corpo e da altri oggetti, incluso il suolo. L'accessorio potrebbe ruotare durante l'avvio, e potrebbe causare lesioni personali o danni all'utensile e/o alle cose.
7. Prima di accendere l'utensile, rimuovere qualsiasi chiave di regolazione, brugola o coprilama. Un accessorio lasciato agganciato a una parte rotante dell'utensile potrebbe risultare in lesioni personali.
8. Sull'utensile da taglio deve essere installata la protezione. Non far funzionare mai l'utensile con protezioni danneggiate o senza aver installato le protezioni.
9. Accertarsi che non siano presenti cavi elettrici, tubi dell'acqua, tubi del gas, e così via, che potrebbero costituire un pericolo qualora venissero danneggiati dall'utilizzo dell'utensile.

## Funzionamento

1. In caso di emergenza, spegnere immediatamente l'utensile.
2. Qualora si avvertano condizioni anomale (ad esempio rumori o vibrazioni) durante l'uso, spegnere l'utensile e rimuovere la cartuccia della batteria. Non utilizzare l'utensile fino all'identificazione e alla risoluzione della causa.
3. L'accessorio da taglio continua a girare per un breve periodo di tempo, dopo lo spegnimento dell'utensile. Non affrettare il contatto con l'accessorio da taglio.
4. Durante l'uso, utilizzare la tracolla. Mantenere l'utensile saldamente sul proprio lato destro.
5. Non allungarsi eccessivamente. Mantenere sempre saldamente la posizione e l'equilibrio sui piedi. Fare attenzione a ostacoli nascosti, quali ceppi d'albero, radici e fossi, per evitare di inciampare.
6. Accertarsi sempre di mantenere i piedi appoggiati saldamente sui pendii.
7. Camminare, non correre mai.
8. Per evitare la perdita di controllo, non lavorare mai su una scala a pioli o su un albero.
9. Qualora l'utensile subisca un forte impatto o una forte caduta, controllarne le condizioni prima di continuare il lavoro. Controllare l'eventuale presenza di malfunzionamenti nei controlli e nei dispositivi di sicurezza. In caso di eventuali danni o dubbi, rivolgersi a un nostro centro di assistenza autorizzato per l'ispezione e le riparazioni.
10. Fare delle pause per evitare la perdita di controllo causata dall'affaticamento. Si consiglia di fare una pausa di lunghezza compresa tra 10 e 20 minuti ogni ora.
11. Quando si lascia l'utensile, anche se per un breve periodo di tempo, rimuovere sempre la cartuccia della batteria. L'utensile lasciato incustodito con la cartuccia della batteria installata potrebbe venire utilizzato da persone non autorizzate e causare un grave incidente.
12. Qualora erba o rami restino impigliati tra l'accessorio da taglio e la protezione, spegnere sempre l'utensile e rimuovere la cartuccia della batteria, prima di effettuare la pulizia. In caso contrario, l'accessorio da taglio potrebbe girare accidentalmente e causare gravi lesioni personali.
13. Non toccare mai parti mobili pericolose prima che queste ultime si siano arrestate completamente e la cartuccia della batteria sia stata rimossa.
14. Qualora l'accessorio da taglio colpisca delle pietre o altri oggetti duri, spegnere immediatamente l'utensile. Quindi, rimuovere la cartuccia della batteria e ispezionare l'accessorio da taglio.
15. Controllare spesso l'eventuale presenza di spaccature o danneggiamenti dell'accessorio da taglio durante l'uso. Prima dell'ispezione, rimuovere la cartuccia della batteria e attendere l'arresto completo dell'accessorio da taglio. Sostituire immediatamente un accessorio da taglio danneggiato, anche solo in presenza di spaccature superficiali.
16. Non tagliare mai al di sopra dell'altezza della vita.
17. Prima di iniziare l'operazione di taglio, attendere che l'accessorio da taglio abbia raggiunto una velocità costante dopo l'accensione dell'utensile.
18. Quando si utilizza una lama da taglio, far ruotare l'utensile in modo uniforme a semicerchio da destra verso sinistra, come se si utilizzasse una falce.
19. Mantenere l'utensile solo mediante le superfici di impugnatura isolate, poiché la lama da taglio potrebbe entrare in contatto con cablaggi nascosti. Lame da taglio che entrino in contatto con un filo elettrico sotto tensione potrebbero mettere sotto tensione le parti metalliche esposte dell'utensile elettrico e trasmettere una scossa elettrica all'operatore.
20. Non avviare l'utensile quando l'utensile da taglio è impigliato in erba tagliata.
21. Prima di avviare l'utensile, accertarsi che l'utensile da taglio non stia toccando il suolo e altri oggetti, ad esempio un albero.
22. Durante il funzionamento, mantenere sempre l'utensile con entrambe le mani. Non mantenere mai l'utensile con una sola mano durante l'uso.
23. Non utilizzare l'utensile in condizioni meteorologiche avverse o qualora sussista il rischio di fulmini.

## Utensili da taglio

1. Non utilizzare un utensile da taglio che non sia consigliato da noi.
2. Utilizzare un accessorio da taglio idoneo al lavoro in corso.
  - Le testine da taglio in nylon (testine per decespugliatore a filo) e le lame di plastica sono idonee per tosare l'erba dei prati.
  - Le lame da taglio sono idonee per tagliare erbacce, erbe alte, cespugli, arbusti, sottobosco, boschetto e simili.
  - Non utilizzare mai altre lame, tra cui catene rotanti a elementi multipli in metallo e lame a flagelli. In caso contrario, si potrebbero causare gravi lesioni personali.
3. Utilizzare solo un utensile da taglio che sia contrassegnato con una velocità pari o superiore a quella contrassegnata sull'utensile.
4. Tenere sempre le mani, il viso e gli indumenti lontani dall'utensile da taglio, quando quest'ultimo sta ruotando. In caso contrario, si potrebbero causare lesioni personali.
5. Utilizzare sempre la protezione per l'accessorio da taglio idonea per l'accessorio da taglio utilizzato.
6. Quando si intende utilizzare lame da taglio, evitare i contraccolpi ed essere sempre pronti a un contraccolpo accidentale. Vedere la sezione relativa al contraccolpo.
7. Quando il decespugliatore non è in uso, applicare il coprilama sulla lama. Rimuovere il coprilama prima dell'uso.

## Contraccolpo (spinta della lama)

1. Il contraccolpo (spinta della lama) è una reazione improvvisa a una lama da taglio che resti inceppata o bloccata. Quando si verifica questo fenomeno, l'utensile viene scagliato di lato o verso l'operatore con forza elevata, e ciò potrebbe causare gravi lesioni personali.
  2. Il contraccolpo si verifica, in particolare, quando si applica il segmento della lama compreso tra ore 12 e ore 2 su oggetti solidi, cespugli e alberelli con un diametro di 3 cm o superiore.
- Fig.2
3. Per evitare il contraccolpo:
    1. Applicare il segmento compreso tra ore 8 e ore 11.
    2. Non applicare mai il segmento compreso tra ore 12 e ore 2.
    3. Non applicare mai il segmento compreso tra ore 11 e ore 12 e quello compreso tra ore 2 e ore 5, a meno che l'operatore sia ben addestrato ed esperto e lo faccia a proprio rischio.
    4. Non utilizzare mai le lame da taglio in prossimità di oggetti solidi, quali recinzioni, pareti, tronchi d'albero e pietre.
    5. Non utilizzare mai le lame da taglio verticalmente, per operazioni quali la bordatura e la rifilatura di siepi.

► Fig.3

## Vibrazioni

1. Le persone che soffrono di cattiva circolazione e che siano esposte a vibrazioni eccessive potrebbero essere soggette a lesioni ai vasi sanguigni o al sistema nervoso. Le vibrazioni possono causare il verificarsi dei seguenti sintomi alle dita, alle mani e ai polsi: Sensazioni di "addormentamento" (intorpidimento), formicolii, dolori, fitte, alterazione del colore della pelle o della pelle stessa. Qualora si verifichi un qualsiasi sintomo tra questi, consultare un medico.
2. Per ridurre il rischio della cosiddetta "sindrome del dito bianco", tenere calde le mani durante l'uso e mantenere in buone condizioni l'utensile e gli accessori.

## Trasporto

1. Prima di trasportare l'utensile, spegnerlo e rimuovere la cartuccia della batteria. Montare il coprilama sulla lama da taglio.
2. Quando si intende trasportare l'utensile, trasportarlo in posizione orizzontale mantenendolo per l'albero.
3. Quando si intende trasportare l'utensile in un veicolo, fissarlo correttamente per evitare che si rovesci. In caso contrario, potrebbe verificarsi il danneggiamento dell'utensile e di altri bagagli.

## Manutenzione

1. Far sottoporre a manutenzione l'utensile dal nostro centro di assistenza autorizzato, utilizzando sempre pezzi di ricambio originali. Riparazioni errate e manutenzione inadeguata possono ridurre la vita utile dell'utensile e incrementare il rischio di incidenti.
2. Prima di effettuare qualsiasi intervento di manutenzione o di riparazione, o prima di pulire l'utensile, spegnere sempre quest'ultimo e rimuovere la cartuccia della batteria.
3. Indossare sempre guanti protettivi quando si intende maneggiare la lama da taglio.
4. Rimuovere sempre polvere e sporco dall'utensile. Non utilizzare mai benzina per motori o per smacchiare, diluenti, alcool o sostanze simili a tale scopo. In caso contrario, si potrebbero causare scolorimento, deformazione o spaccature dei componenti in plastica.
5. Dopo ciascun utilizzo, serrare tutte le viti e i dadi.
6. Non tentare alcun intervento di manutenzione o riparazione non descritto nel presente manuale d'uso. Rivolgersi al nostro centro di assistenza autorizzato per tale tipo di lavoro.
7. Utilizzare sempre esclusivamente i nostri pezzi di ricambio e accessori originali. L'utilizzo di pezzi o accessori forniti da terze parti potrebbe risultare in rottura dell'utensile, danni alle cose e/o gravi lesioni personali.
8. Richiedere a un nostro centro di assistenza autorizzato di ispezionare e sottoporre a manutenzione l'utensile a intervalli regolari.
9. Mantenere sempre l'utensile in buone condizioni operative. Una manutenzione scadente può risultare in prestazioni inferiori e ridurre la vita utile dell'utensile.

## Conservazione

1. Prima di riporre l'utensile, effettuare la pulizia e la manutenzione complete. Rimuovere la cartuccia della batteria. Montare il coprilama sulla lama da taglio.
2. Riporre l'utensile in un'ubicazione asciutta e in posizione elevata, o chiusa a chiave, fuori dalla portata dei bambini.
3. Non appoggiare l'utensile contro qualcosa, ad esempio una parete. In caso contrario, potrebbe cadere improvvisamente e causare lesioni personali.

## Primo soccorso

1. Tenere sempre a portata di mano un kit di pronto soccorso. Sostituire immediatamente qualsiasi oggetto prelevato dal kit di pronto soccorso.
2. Quando si intende chiedere aiuto, fornire le informazioni seguenti:
  - Luogo dell'incidente
  - Cosa è accaduto
  - Numero delle persone ferite
  - Natura delle lesioni personali
  - Il proprio nome



## Istruzioni di sicurezza importanti per la cartuccia della batteria

1. Prima di utilizzare la cartuccia della batteria, leggere tutte le istruzioni e le avvertenze riportate (1) sul caricabatteria, (2) sulla batteria e (3) sul prodotto che utilizza la batteria.
2. Non smontare la cartuccia della batteria.
3. Qualora il tempo di utilizzo si riduca eccessivamente, interrompere immediatamente l'utilizzo dell'utensile. In caso contrario, si può incorrere nel rischio di surriscaldamento, possibili ustioni e persino un'esplosione.
4. Qualora l'elettrolita entri in contatto con gli occhi, sciacquarli con acqua pulita e richiedere immediatamente assistenza medica. Questa eventualità può risultare nella perdita della vista.
5. Non cortocircuitare la cartuccia della batteria:
  - (1) Non toccare i terminali con alcun materiale conduttivo.
  - (2) Evitare di conservare la cartuccia della batteria in un contenitore insieme ad altri oggetti metallici quali chiodi, monete, e così via.
  - (3) Non esporre la cartuccia della batteria all'acqua o alla pioggia.

Un cortocircuito della batteria può causare un grande flusso di corrente, un surriscaldamento, possibili ustioni e persino un guasto.
6. Non conservare l'utensile e la cartuccia della batteria in ubicazioni in cui la temperatura possa raggiungere o superare i 50°C.
7. Non incenerire la cartuccia della batteria anche qualora sia gravemente danneggiata o completamente esaurita. La cartuccia della batteria può esplodere se a contatto con il fuoco.
8. Fare attenzione a non far cadere e a non colpire la batteria.
9. Non utilizzare una batteria danneggiata.
10. Le batterie a ioni di litio contenute sono soggette ai requisiti del regolamento sul trasporto di merci pericolose (Dangerous Goods Legislation). Per trasporti commerciali, ad esempio da parte di terzi o spedizionieri, è necessario osservare dei requisiti speciali sull'imballaggio e sull'etichetta.

Per la preparazione dell'articolo da spedire, è richiesta la consulenza di un esperto in materiali pericolosi. Attenersi anche alle normative nazionali, che potrebbero essere più dettagliate. Nastrare o coprire i contatti aperti e imballare la batteria in modo tale che non si possa muovere liberamente all'interno dell'imballaggio.

11. Quando si intende smaltire la cartuccia della batteria, rimuoverla dall'utensile e smaltirla in un luogo sicuro. Attenersi alle normative locali relative allo smaltimento della batteria.
12. Utilizzare le batterie esclusivamente con i prodotti specificati da Makita. L'installazione delle batterie in prodotti non compatibili potrebbe risultare in incendi, calore eccessivo, esplosioni o perdite di liquido elettrolitico.
13. Se l'utensile non viene utilizzato per un periodo di tempo prolungato, la batteria deve essere rimossa dall'utensile.

## CONSERVARE LE PRESENTI ISTRUZIONI.

**ATTENZIONE:** Utilizzare solo batterie originali Makita. L'utilizzo di batterie Makita non originali, o di batterie che siano state alterate, potrebbe risultare nello scoppio della batteria, causando incendi, lesioni personali e danni. Inoltre, ciò potrebbe invalidare la garanzia Makita per l'utensile e il caricabatterie Makita.

## Suggerimenti per preservare la durata massima della batteria

1. Caricare la cartuccia della batteria prima che si scarichi completamente. Smettere sempre di utilizzare l'utensile e caricare la cartuccia della batteria quando si nota che la potenza dell'utensile è diminuita.
2. Non ricaricare mai una cartuccia della batteria completamente carica. La sovraccarica riduce la vita utile della batteria.
3. Caricare la cartuccia della batteria a una temperatura ambiente compresa tra 10°C e 40°C. Lasciar raffreddare una cartuccia della batteria prima di caricarla.
4. Caricare la cartuccia della batteria se non la si è utilizzata per un periodo di tempo prolungato (più di sei mesi).

## DESCRIZIONE DELLE PARTI

► Fig.4

1	Indicatore di velocità	2	Indicatore ADT (ADT = Automatic Torque Drive Technology (tecnologia di trazione a coppia automatica))	3	Indicatore luminoso di avvertimento	4	Pulsante di accensione principale
5	Pulsante di inversione	6	Cartuccia della batteria	7	Leva di sblocco	8	Interruttore a grilletto
9	Anello di aggancio	10	Maniglia	11	Barriera (specifica in base alla nazione)	12	Protezione
13	Leva di blocco (solo per i modelli DUR191U e DUR191L)	14	Copertura giunto (solo per i modelli DUR191U e DUR191L)	15	Cappuccio (solo per i modelli DUR191U e DUR191L)	16	Tracolla



## DESCRIZIONE DELLE FUNZIONI

**⚠AVVERTIMENTO:** Accertarsi sempre che l'utensile sia spento e che la cartuccia della batteria sia rimossa, prima di regolare o controllare il funzionamento dell'utensile. Il mancato spegnimento e la mancata rimozione della cartuccia della batteria potrebbero risultare in gravi lesioni personali dovute all'avvio accidentale.

### Installazione o rimozione della cartuccia della batteria

**⚠ATTENZIONE:** Spegnerne sempre l'utensile prima di installare o rimuovere la cartuccia della batteria.

**⚠ATTENZIONE:** Mantenere saldamente lo strumento e la batteria quando si intende installare o rimuovere la cartuccia della batteria. Qualora non si mantengano saldamente lo strumento e la cartuccia della batteria, questi ultimi potrebbero scivolare dalle mani, con la possibilità di causare un danneggiamento dello strumento e della cartuccia della batteria, nonché una lesione personale.

► **Fig. 5:** 1. Indicatore rosso 2. Pulsante 3. Cartuccia della batteria

Per rimuovere la cartuccia della batteria, farla scorrere via dall'utensile mentre si fa scorrere allo stesso tempo il pulsante sulla parte anteriore della cartuccia.

Per installare la cartuccia della batteria, allineare l'appendice della batteria con la scanalatura nell'alloggiamento e farla scivolare in sede. Inserirli completamente fino al suo blocco in sede con un leggero scatto. Se è possibile vedere l'indicatore rosso sul lato superiore del pulsante, la batteria non è bloccata completamente.

**⚠ATTENZIONE:** Installare sempre fino in fondo la cartuccia della batteria, fino a quando l'indicatore rosso non è più visibile. In caso contrario, la batteria potrebbe cadere accidentalmente dall'utensile, causando lesioni personali all'operatore o a chi gli è vicino.

**⚠ATTENZIONE:** Non installare forzatamente la cartuccia della batteria. Qualora la batteria non si inserisca scorrendo agevolmente, vuol dire che non viene inserita correttamente.

### Sistema di protezione strumento/batteria

L'utensile è dotato di un sistema di protezione utensile/batteria. Questo sistema interrompe automaticamente l'alimentazione al motore per prolungare la vita utile dell'utensile e della batteria. L'utensile si arresta automaticamente durante il funzionamento, qualora venga a trovarsi in una delle condizioni seguenti:

Indicatore luminoso di avvertimento		Stato
Colore	● Acceso ⓘ Lampeggiante	
Rosso	ⓘ	Sovraccarico
Rosso	●	Surriscaldamento
Rosso	ⓘ	Sovrascarica

### Protezione dal sovraccarico

Qualora l'utensile venga a trovarsi in una delle situazioni seguenti, l'utensile si arresta automaticamente e l'indicatore luminoso di avvertimento inizia a lampeggiare in rosso:

- L'utensile è sovraccaricato da erbacce impigliate o altri detriti.
- L'utensile da taglio è bloccato o è stato soggetto a un contraccolpo.
- Il pulsante di accensione principale viene attivato mentre si tiene premuto l'interruttore a grilletto.

In questa situazione, rilasciare l'interruttore a grilletto e rimuovere le erbacce impigliate o i detriti, se necessario. Dopodiché, premere di nuovo l'interruttore a grilletto per riprendere l'utilizzo.

**⚠ATTENZIONE:** Qualora sia necessario rimuovere le erbacce impigliate nell'utensile o sbloccare l'utensile da taglio bloccato, accertarsi di spegnere l'utensile prima di iniziare.

### Protezione dal surriscaldamento per l'utensile o la batteria

Qualora l'utensile o la cartuccia della batteria siano surriscaldati, l'utensile si arresta automaticamente. Quando l'utensile o la cartuccia della batteria sono surriscaldati, l'indicatore di velocità e l'indicatore ADT si spengono e l'indicatore luminoso di avvertimento si illumina in rosso. Lasciar raffreddare l'utensile e/o la batteria, prima di riaccendere l'utensile.

### Protezione dalla sovrascarica

Quando la carica della batteria diventa bassa, l'utensile si arresta automaticamente. L'indicatore di velocità e l'indicatore ADT si spengono e l'indicatore luminoso di avvertimento inizia a lampeggiare in rosso. Qualora l'utensile non funzioni anche quando si attivano gli interruttori, rimuovere la cartuccia della batteria dall'utensile e caricarla.

### Indicazione della carica residua della batteria

**Solo per cartucce delle batterie dotate di indicatore**

► **Fig. 6:** 1. Indicatori luminosi 2. Pulsante di controllo  
Premere il pulsante di controllo sulla cartuccia della batteria per indicare la carica residua della batteria. Gli indicatori luminosi si illuminano per alcuni secondi.

Indicatori luminosi			Carica residua
■ Illuminato	□ Spento	◐ Lampeggiante	
■ ■ ■ ■			Dal 75% al 100%
■ ■ ■ □			Dal 50% al 75%
■ ■ □ □			Dal 25% al 50%
■ □ □ □			Dallo 0% al 25%
◐ □ □ □			Caricare la batteria.
■ ■ □ □	↑ ↓	□ □	La batteria potrebbe essersi guastata.

**NOTA:** A seconda delle condizioni d'uso e della temperatura ambiente, l'indicazione potrebbe variare leggermente rispetto alla carica effettiva.

## Interruttore di accensione principale

Per accendere l'utensile, toccare il pulsante di accensione principale. Per spegnere l'utensile, tenere premuto il pulsante di accensione principale fino a quando l'indicatore di velocità si spegne.  
**► Fig.7:** 1. Indicatore di velocità 2. Pulsante di accensione principale

**NOTA:** L'utensile si spegne automaticamente, qualora venga lasciato inutilizzato per un determinato periodo di tempo.

## Funzionamento dell'interruttore

**⚠AVVERTIMENTO:** Prima di installare la cartuccia della batteria nell'utensile, accertarsi sempre che l'interruttore a grilletto funzioni correttamente e che torni sulla posizione "OFF" quando viene rilasciato. L'uso dell'utensile con un interruttore che non funzioni correttamente potrebbe causare la perdita del controllo e gravi lesioni personali.

**⚠ATTENZIONE:** Non appoggiare mai il dito sull'interruttore durante il trasporto. In caso contrario, l'utensile si potrebbe avviare accidentalmente e causare lesioni personali.

Per evitare di premere accidentalmente l'interruttore a grilletto, è fornita una leva di sblocco. Per avviare l'utensile, afferrare la maniglia (la leva di sblocco viene sbloccata afferrandola con la mano), quindi premere l'interruttore a grilletto. Per arrestare l'utensile, rilasciare l'interruttore a grilletto.

### DUR190U e DUR191U

**► Fig.8:** 1. Leva di sblocco 2. Interruttore a grilletto

### DUR190L e DUR191L

**► Fig.9:** 1. Leva di sblocco 2. Interruttore a grilletto

**NOTA:** L'utensile si spegne automaticamente dopo averlo lasciato per un determinato periodo di tempo senza effettuare alcuna operazione.

## Regolazione della velocità

È possibile selezionare la velocità dell'utensile toccando il pulsante di accensione principale. Ad ogni tocco del pulsante di accensione principale, il livello di velocità cambia.

**► Fig.10:** 1. Indicatore di velocità 2. Pulsante di accensione principale 3. Indicatore ADT

Indicatore di velocità	Modalità	Velocità di rotazione
	ADT	3.500 - 6.000 min <sup>-1</sup>
3	Alta	6.000 min <sup>-1</sup>
2		
1		
3	Media	5.100 min <sup>-1</sup>
2		
1		
3	Bassa	3.500 min <sup>-1</sup>
2		
1		

**NOTA:** Quando si imposta la funzione ADT (Automatic Torque Drive Technology, tecnologia di trazione a coppia automatica), l'indicatore ADT si accende e l'utensile funziona alla velocità di rotazione e alla coppia ottimali in base alle condizioni dell'erba che si sta tagliando.

## Pulsante di inversione per la rimozione dei detriti

**⚠AVVERTIMENTO:** Prima di rimuovere erbacce o detriti impigliati che la funzione di rotazione inversa non è in grado di rimuovere, spegnere l'utensile e rimuovere la cartuccia della batteria. Il mancato spegnimento e la mancata rimozione della cartuccia della batteria potrebbero risultare in gravi lesioni personali dovute all'avvio accidentale.

Questo utensile dispone di un pulsante di inversione per cambiare la direzione di rotazione. La sua funzione è esclusivamente la rimozione di erbacce e detriti impigliati nell'utensile. Per invertire la rotazione, toccare il pulsante di inversione e premere l'interruttore a grilletto mentre si tiene premuta la leva di sblocco, quando l'utensile da taglio è arrestato. Gli indicatori di velocità e l'indicatore ADT iniziano a lampeggiare, e l'utensile da taglio ruota in direzione inversa, quando si preme l'interruttore a grilletto. Per tornare alla rotazione normale, rilasciare il grilletto e attendere che l'utensile da taglio si arresti.

**► Fig.11:** 1. Indicatore di velocità 2. Indicatore ADT 3. Pulsante di inversione

**NOTA:** Durante la rotazione inversa, l'utensile funziona solo per un breve periodo di tempo, quindi si arresta automaticamente.

**NOTA:** Una volta che l'utensile si è arrestato, la rotazione torna alla direzione normale quando si riavvia l'utensile.

**NOTA:** Se si tocca il pulsante di inversione mentre l'utensile da taglio sta ancora ruotando, l'utensile si arresta per predisporre alla rotazione inversa.

## Freno elettrico

Questo utensile è dotato di un freno elettrico. Qualora l'utensile non riesca ripetutamente ad arrestarsi rapidamente dopo il rilascio dell'interruttore a grilletto, far sottoporre a riparazione l'utensile presso un nostro centro di assistenza.

**⚠ATTENZIONE:** Questo sistema di frenaggio non rappresenta un sostituto della protezione. Non utilizzare mai l'utensile senza la protezione. Un utensile da taglio privo di protezione potrebbe risultare in gravi lesioni personali.

## MONTAGGIO

**⚠AVVERTIMENTO:** Accertarsi sempre che l'utensile sia spento e che la cartuccia della batteria sia rimossa, prima di effettuare qualsiasi altra operazione sull'utensile. Il mancato spegnimento e la mancata rimozione della cartuccia della batteria potrebbero risultare in gravi lesioni personali dovute all'avvio accidentale.

**⚠AVVERTIMENTO:** Non avviare mai l'utensile se non è stato completamente assemblato. L'utilizzo dell'utensile in uno stato di assemblaggio parziale potrebbe risultare in gravi lesioni personali dovute all'avvio accidentale.

## Installazione della maniglia

*Solo per i modelli DUR190U e DUR191U*

1. Inserire l'albero della maniglia nell'impugnatura. Allineare il foro per la vite presente nell'impugnatura con quello presente nell'albero. Serrare saldamente la vite.

► Fig.12: 1. Impugnatura 2. Vite 3. Maniglia

2. Posizionare la maniglia tra la morsa della maniglia e il supporto della maniglia. Regolare la maniglia su un'angolazione che consenta una posizione di lavoro comoda, quindi fissarla con bulloni a esagono incassato.

► Fig.13: 1. Bullone a esagono incassato 2. Morsa della maniglia 3. Supporto della maniglia

## Montaggio della barriera

*Per DUR190L e DUR191L*

Qualora la barriera sia inclusa nel modello utilizzato, montarla sulla maniglia utilizzando la vite presente sulla barriera.

► Fig.14: 1. Barriera 2. Vite

**⚠ATTENZIONE:** Dopo aver assemblato la barriera, non rimuoverla. La barriera funge da componente di sicurezza, per evitare che l'utilizzatore entri in contatto accidentalmente con la lama da taglio.

## Montaggio del tubo degli accessori

*Solo per i modelli DUR191U e DUR191L*

Montare il tubo degli accessori sull'unità motore.

1. Ruotare la leva nella direzione della freccia indicata nella figura.

► Fig.15: 1. Leva

2. Tirare verso l'alto la copertura del giunto e inserire il tubo degli accessori allineando al tempo stesso la sporgenza sul tubo (dal lato dell'utensile da taglio) con la parte concava del pezzo del giunto.

► Fig.16: 1. Leva di blocco 2. Copertura giunto 3. Tubo

Accertarsi che la superficie della leva di blocco sia parallela al tubo.

3. Ruotare la leva nella direzione della freccia indicata nella figura.

► Fig.17: 1. Leva

Per rimuovere il tubo, ruotare la leva nella direzione della freccia indicata nella figura ed estrarre il tubo premendo al tempo stesso la leva di blocco.

► Fig.18: 1. Leva 2. Leva di blocco 3. Tubo

## Installazione della protezione

**⚠AVVERTIMENTO:** Non utilizzare mai l'utensile senza applicare la protezione illustrata nella figura. La mancata osservanza di questa precauzione potrebbe causare gravi lesioni personali.

**⚠ATTENZIONE:** Fare attenzione a non ferirsi con il taglierino per tagliare il filo di nylon.

Fissare la protezione sulla morsa utilizzando i bulloni.

► Fig.19: 1. Morsa 2. Protezione 3. Taglierino

## Installazione dell'utensile da taglio

**NOTA:** Il tipo di utensile o di utensili da taglio forniti come accessori in dotazione varia a seconda della nazione. L'utensile da taglio non è in dotazione in alcune nazioni.

**NOTA:** Capovolgere l'utensile in modo da poter sostituire l'utensile da taglio facilmente.

## Lama da taglio

**⚠ATTENZIONE:** Quando si intende maneggiare la lama da taglio, indossare sempre i guanti e applicare il coprilama sulla lama.

**⚠ATTENZIONE:** La lama da taglio deve essere ben pulita, priva di spaccature o rotture. Qualora la lama da taglio colpisca una pietra durante l'utilizzo, arrestare l'utensile e controllare immediatamente la lama da taglio.

**⚠ATTENZIONE:** Utilizzare esclusivamente una lama da taglio che abbia il diametro descritto nella sezione dei dati tecnici.

► Fig.20: 1. Dado 2. Coppa 3. Rondella di chiusura 4. Lama da taglio 5. Perno 6. Barriera 7. Pulsante di blocco del perno

1. Montare la lama da taglio sulla barriera in modo che le frecce sulla lama da taglio e sulla protezione puntino nella stessa direzione.

► Fig.21: 1. Freccia

2. Installare la rondella di chiusura e la coppa, sulla lama da taglio.

3. Mentre si tiene premuto il pulsante di blocco del perno, serrare saldamente il dado mediante la chiave a tubo.

► **Fig.22:** 1. Pulsante di blocco del perno 2. Chiave a tubo 3. Per allentare 4. Per serrare

Per rimuovere la lama da taglio, allentare il dado mentre si tiene premuto il pulsante di blocco del perno.

## Testina da taglio in nylon

**AVVISO:** Accertarsi di utilizzare una testina da taglio in nylon originale Makita.

Mentre si tiene premuto il pulsante di blocco del perno, posizionare la testina da taglio in nylon sul perno, quindi serrarla saldamente con la mano.

► **Fig.23:** 1. Testina da taglio in nylon 2. Perno 3. Pulsante di blocco del perno 4. Per allentare 5. Per serrare

Per rimuovere testina da taglio in nylon, allentarla mentre si tiene premuto il pulsante di blocco del perno.

## Lama di plastica

**AVVISO:** Accertarsi di utilizzare una lama di plastica originale Makita.

Mentre si tiene premuto il pulsante di blocco del perno, posizionare la lama di plastica sul perno, quindi serrarla saldamente con la mano.

► **Fig.24:** 1. Lama di plastica 2. Perno 3. Pulsante di blocco del perno 4. Per allentare 5. Per serrare

Per rimuovere la lama di plastica, allentarla mentre si tiene premuto il pulsante di blocco del perno.

**NOTA:** È possibile utilizzare la chiave a brugola in dotazione per installare o rimuovere l'utensile da taglio. Inserire la chiave a brugola nel foro come indicato nella figura per bloccare il perno.

► **Fig.25:** 1. Chiave a brugola 2. Foro

**ATTENZIONE:** Utilizzare sempre le chiavi in dotazione per installare o rimuovere l'utensile da taglio.

**ATTENZIONE:** Dopo aver installato l'utensile da taglio, accertarsi di rimuovere la chiave a brugola inserita nella testa dell'utensile.

## Regolazione della posizione della maniglia o dell'anello di aggancio

Regolare la posizione della maniglia e dell'anello di aggancio in modo da poter maneggiare comodamente l'utensile.

**Per DUR190U e DUR191U**

Regolare la posizione della maniglia o dell'anello di aggancio in modo che l'utensile arrivi a posizionarsi entro le distanze indicate di seguito.

► **Fig.26**

1	Posizione dell'anello di aggancio dal suolo
2	Posizione dell'utensile da taglio dal suolo
3	Distanza orizzontale tra l'anello di aggancio e la parte non protetta dell'utensile da taglio

Allentare i bulloni a esagono incassato nella parte inferiore del supporto della maniglia. Spostare la maniglia su una posizione di lavoro comoda, quindi serrare i bulloni.

► **Fig.27:** 1. Supporto della maniglia 2. Bullone a esagono incassato 3. Maniglia

Allentare i bulloni a esagono incassato sull'anello di aggancio. Spostare l'anello di aggancio su una posizione di lavoro comoda, quindi serrare i bulloni.

► **Fig.28:** 1. Bullone a esagono incassato 2. Anello di aggancio

**Per DUR190L e DUR191L**

Allentare i bulloni a esagono incassato sulla maniglia. Spostare la maniglia su una posizione di lavoro comoda, quindi serrare i bulloni.

► **Fig.29:** 1. Bullone a esagono incassato 2. Maniglia

Allentare il bullone a esagono incassato sull'anello di aggancio. Spostare l'anello di aggancio su una posizione di lavoro comoda, quindi serrare il bullone.

► **Fig.30:** 1. Bullone a esagono incassato 2. Anello di aggancio

## Conservazione della chiave esagonale

Quando l'apparecchio non è in uso, conservare la chiave a brugola come indicato nella figura, per evitare che venga persa.

► **Fig.31:** 1. Chiave esagonale

**Solo per i modelli DUR190L e DUR191L**

► **Fig.32:** 1. Maniglia 2. Chiave a brugola

# FUNZIONAMENTO

## Fissaggio della tracolla

**ATTENZIONE:** Utilizzare sempre la tracolla montata sull'utensile. Prima dell'uso, regolare la tracolla in base alla taglia dell'utente, per evitare l'affaticamento.

**ATTENZIONE:** Prima dell'uso, accertarsi che la tracolla sia fissata correttamente all'anello di aggancio presente sull'utensile.

Collegare il gancio della tracolla all'anello di aggancio e indossare la tracolla. Accertarsi che l'utensile venga mantenuto saldamente dalla tracolla.

**DUR190U e DUR191U**

► **Fig.33:** 1. Gancio 2. Anello di aggancio

**DUR190L e DUR191L**

► **Fig.34:** 1. Gancio 2. Anello di aggancio

## Sganciamento

La tracolla è dotata di un sistema di sgancio rapido.

**DUR190U e DUR191U**

► **Fig.35:** 1. Striscia

Tirare la striscia per sganciare l'utensile dalla tracolla.

**DUR190L e DUR191L**

► **Fig.36:** 1. Fibbia

È sufficiente premere i lati della fibbia per liberare l'utensile dalla tracolla.

## Come maneggiare correttamente l'utensile

**⚠AVVERTIMENTO:** Posizionare sempre l'utensile sul proprio lato destro. Il corretto posizionamento dell'utensile consente il massimo controllo e riduce il rischio di gravi lesioni personali causate da contraccolpi.

**⚠AVVERTIMENTO:** Mantenere il controllo dell'utensile in qualsiasi momento con la massima attenzione. Non consentire la deviazione dell'utensile verso se stessi o chiunque altro in prossimità dell'area di lavoro. La mancata capacità di mantenere il controllo dell'utensile potrebbe risultare in gravi lesioni personali agli astanti e all'operatore.

**⚠AVVERTIMENTO:** Quando due o più operatori lavorano nella stessa area, per evitare incidenti, lasciare una distanza superiore a 15 m tra gli operatori. Inoltre, predisporre una persona che faccia rispettare la distanza tra gli operatori. Qualora una persona o un animale entri nell'area di lavoro, interrompere immediatamente l'operazione.

**⚠ATTENZIONE:** Qualora l'utensile da taglio urti accidentalmente una pietra o un oggetto duro durante l'utilizzo, arrestare l'utensile e ispezionarlo alla ricerca di eventuali danni. Qualora l'utensile da taglio sia danneggiato, sostituirlo immediatamente. L'utilizzo di un utensile da taglio danneggiato potrebbe risultare in gravi lesioni personali.

**⚠ATTENZIONE:** Rimuovere il coprilama dalla lama da taglio, quando si intende tagliare l'erba.

Un posizionamento e un uso corretti consentono un controllo ottimale e riducono il rischio di lesioni personali causate da contraccolpi.

**DUR190U e DUR191U**

► Fig.37

**DUR190L e DUR191L**

► Fig.38

**Quando si utilizza una testina da taglio in nylon (tipo con fuoriuscita a impatto)**

La testina da taglio in nylon è una testina tagliabordi a doppio filo munita di un meccanismo di fuoriuscita a impatto.

Per causare la fuoriuscita del filo di nylon, far toccare la testina da taglio sul terreno durante la rotazione.

► Fig.39: 1. Area di taglio più efficace

**AVVISO:** La fuoriuscita a impatto non funziona correttamente se la testina da taglio in nylon non sta ruotando.

**NOTA:** Qualora il filo di nylon non fuoriesca mentre si fa toccare la testina, riavvolgere o sostituire il filo di nylon attenendosi alle procedure nella sezione relativa alla manutenzione.

## MANUTENZIONE

**⚠AVVERTIMENTO:** Accertarsi sempre che l'utensile sia spento e che la cartuccia della batteria sia rimossa, prima di effettuare qualsiasi intervento di ispezione o manutenzione sull'utensile. Il mancato spegnimento e la mancata rimozione della cartuccia della batteria potrebbero risultare in gravi lesioni personali dovute all'avvio accidentale.

**AVVISO:** Non utilizzare mai benzina, benzene, solventi, alcol o altre sostanze simili. In caso contrario, si potrebbero causare scolorimenti, deformazioni o crepe.

Per preservare la SICUREZZA e l'AFFIDABILITÀ del prodotto, le riparazioni e qualsiasi altro intervento di manutenzione e di regolazione devono essere eseguiti da un centro di assistenza autorizzato Makita, utilizzando sempre ricambi Makita.

## Sostituzione del filo di nylon

**⚠AVVERTIMENTO:** Utilizzare esclusivamente fili di nylon con il diametro specificato nel presente manuale d'uso. Non utilizzare mai un filo più pesante, filo metallico, corda o simili. In caso contrario, si potrebbe danneggiare l'utensile e causare gravi lesioni personali.

**⚠AVVERTIMENTO:** Quando si intende sostituire il filo di nylon, rimuovere sempre la testina da taglio in nylon dall'utensile.

**⚠AVVERTIMENTO:** Accertarsi che la copertura della testina da taglio in nylon sia fissata correttamente all'alloggiamento, come descritto nel presente manuale d'uso. Il mancato fissaggio corretto della copertura potrebbe far volare via in pezzi la testina da taglio in nylon, causando gravi lesioni personali.

Sostituire il filo di nylon, qualora non fuoriesca più. Il modo per sostituire il filo di nylon varia a seconda del tipo di testina da taglio in nylon.

## 95-M10L

► Fig.40

## Sostituzione della lama di plastica

Sostituire la lama di plastica, qualora sia usurata o rotta.

► Fig.41

Quando si installa la lama di plastica, allineare la direzione della freccia sulla lama con quella sulla protezione.

► Fig.42: 1. Freccia sulla protezione 2. Freccia sulla lama

# RISOLUZIONE DEI PROBLEMI

Prima di richiedere riparazioni, eseguire un'ispezione personalmente. Qualora si rilevi un problema che non è illustrato nel manuale, non tentare di smontare l'utensile. Rivolgersi, invece, a un centro di assistenza autorizzato Makita, utilizzando sempre pezzi di ricambio Makita per le riparazioni.

Stato di anomalia	Causa probabile (guasto)	Azione correttiva
Il motore non funziona.	La cartuccia della batteria non è installata.	Installare la cartuccia della batteria.
	Problema della batteria (sotto tensione)	Ricaricare la batteria. Qualora la ricarica non sia efficace, sostituire la batteria.
	Il sistema di trasmissione non funziona correttamente.	Richiedere la riparazione a un centro di assistenza autorizzato locale.
Il motore si arresta dopo un breve utilizzo.	Il livello di carica della batteria è basso.	Ricaricare la batteria. Qualora la ricarica non sia efficace, sostituire la batteria.
	Surriscaldamento.	Interrompere l'utilizzo dell'utensile per consentirgli di raffreddarsi.
L'utensile non raggiunge il numero di giri massimo.	La batteria non è installata correttamente.	Installare la cartuccia della batteria come descritto nel presente manuale.
	La carica della batteria si sta esaurendo.	Ricaricare la batteria. Qualora la ricarica non abbia effetto, sostituire la batteria.
	Il sistema di trasmissione non funziona correttamente.	Richiedere la riparazione a un centro di assistenza autorizzato locale.
L'utensile da taglio non gira: ⇒ arrestare immediatamente la macchina!	Un corpo estraneo, ad esempio un ramo, è incastrato tra la protezione e l'utensile da taglio.	Rimuovere il corpo estraneo.
	Il sistema di trasmissione non funziona correttamente.	Richiedere la riparazione a un centro di assistenza autorizzato locale.
Vibrazione anomala: ⇒ arrestare immediatamente la macchina!	Un'estremità del filo di nylon si è rotta.	Far toccare la testina da taglio in nylon contro il terreno mentre sta ruotando per far fuoriuscire il filo.
	Il sistema di trasmissione non funziona correttamente.	Richiedere la riparazione a un centro di assistenza autorizzato locale.
Non si riesce ad arrestare l'utensile da taglio e il motore: ⇒ rimuovere immediatamente la batteria!	Malfunzionamento elettrico o elettronico.	Rimuovere la batteria e richiedere la riparazione a un centro di assistenza autorizzato locale.

## ACCESSORI OPZIONALI

**⚠AVVERTIMENTO:** Utilizzare esclusivamente gli accessori o i componenti aggiuntivi consigliati indicati nel presente manuale. L'uso di qualsiasi altro accessorio o componente aggiuntivo potrebbe risultare in gravi lesioni personali.

**⚠ATTENZIONE:** Questi accessori o componenti aggiuntivi sono consigliati per l'uso con l'utensile Makita specificato nel presente manuale. L'impiego di altri accessori o componenti aggiuntivi può costituire un rischio di lesioni alle persone. Utilizzare gli accessori o i componenti aggiuntivi solo per il loro scopo prefissato.

**NOTA:** Alcuni articoli nell'elenco potrebbero essere inclusi nell'imballaggio dell'utensile come accessori standard. Tali articoli potrebbero variare da nazione a nazione.

Per ottenere ulteriori dettagli relativamente a questi accessori, rivolgersi a un centro di assistenza Makita.

- Lama da taglio
- Testina da taglio in nylon
- Filo di nylon (linea di taglio)
- Lama di plastica
- Batteria e caricabatterie originali Makita

## TECHNISCHE GEGEVENS

Model:		DUR190U	DUR190L	DUR191U	DUR191L
Type handgreep		Fietsstuurhandgreep	Beugelhandgreep	Fietsstuurhandgreep	Beugelhandgreep
Nullasttoerental		3: 6.000 min <sup>-1</sup> 2: 5.100 min <sup>-1</sup> 1: 3.500 min <sup>-1</sup>			
Totale lengte (zonder snijgarnituur)		1.775 mm			
Diameter nylondraad		2,0 - 2,4 mm			
Geschikte snijgarnituur en maaidiameter	3-tands snijblad (onderdeelnr. 191J34-5)	230 mm			
	4-tands snijblad (onderdeelnr. 729025-2)	230 mm			
	Nylondraad-snijkop (onderdeelnr. 126674-0)	300 mm			
	Kunststof snijblad (onderdeelnr. 126642-3)	230 mm			
Nominale spanning		18 V gelijkspanning			
Netto gewicht		3,1 - 3,4 kg	2,9 - 3,2 kg	3,4 - 3,7 kg	3,2 - 3,5 kg

- In verband met ononderbroken research en ontwikkeling, behouden wij ons het recht voor de bovenstaande technische gegevens zonder voorafgaande kennisgeving te wijzigen.
- De technische gegevens kunnen van land tot land verschillen.
- Het gewicht kan verschillen afhankelijk van de hulpstukken, waaronder de accu. De lichtste en zwaarste combinatie, overeenkomstig de EPTA-procedure 01/2014, worden getoond in de tabel.

### Toepasselijke accu's en laders

Accu	BL1815N / BL1820 / BL1820B / BL1830 / BL1830B / BL1840 / BL1840B / BL1850 / BL1850B / BL1860B
Lader	DC18RC / DC18RD / DC18RE / DC18SD / DC18SE / DC18SF / DC18SH

- Sommige van de hierboven vermelde accu's en laders zijn mogelijk niet leverbaar afhankelijk van waar u woont.

**⚠ WAARSCHUWING:** Gebruik uitsluitend de accu's en laders die hierboven worden genoemd. Gebruik van enige andere accu of lader kan leiden tot letsel en/of brand.

### Aanbevolen accuadapter

Accuadapter	PDC01
-------------	-------

- De hierboven vermelde accuadapter(s) is/zijn mogelijk niet leverbaar afhankelijk van waar u woont.
- Alvorens de accuadapter in gebruik te nemen, leest u eerst de instructie en waarschuwingsopdrachten op de accuadapter.

## Model DUR190U

Snijgarnituur	Geluidsdruk niveau ( $L_{pA}$ ) dB(A)		Geluidsvermogen niveau ( $L_{wA}$ ) dB(A)		Toepasselijke norm
	$L_{pA}$ dB(A)	Onzekerheid (K) dB(A)	$L_{wA}$ dB(A)	Onzekerheid (K) dB(A)	
4-tands snijblad	77,0	3,9	91,6	2,4	ISO22868 (ISO11806-1)
Nylondraad-snijkop	74,0	1,9	87,1	0,9	ISO22868 (ISO11806-1)/ EN50636-2-91
Kunststof snijblad	75,6	1,3	85,9	2,1	ISO22868 (ISO11806-1)/ EN50636-2-91

## Model DUR190L

Snijgarnituur	Geluidsdruk niveau ( $L_{pA}$ ) dB(A)		Geluidsvermogen niveau ( $L_{wA}$ ) dB(A)		Toepasselijke norm
	$L_{pA}$ dB(A)	Onzekerheid (K) dB(A)	$L_{wA}$ dB(A)	Onzekerheid (K) dB(A)	
4-tands snijblad	77,0	3,9	91,6	2,4	ISO22868 (ISO11806-1)
Nylondraad-snijkop	74,0	1,9	87,1	0,9	ISO22868 (ISO11806-1)/ EN50636-2-91
Kunststof snijblad	75,6	1,3	85,9	2,1	ISO22868 (ISO11806-1)/ EN50636-2-91

## Model DUR191U

Snijgarnituur	Geluidsdruk niveau ( $L_{pA}$ ) dB(A)		Geluidsvermogen niveau ( $L_{wA}$ ) dB(A)		Toepasselijke norm
	$L_{pA}$ dB(A)	Onzekerheid (K) dB(A)	$L_{wA}$ dB(A)	Onzekerheid (K) dB(A)	
4-tands snijblad	77,0	3,9	91,6	2,4	ISO22868 (ISO11806-1)
Nylondraad-snijkop	74,0	1,9	87,1	0,9	ISO22868 (ISO11806-1)/ EN50636-2-91
Kunststof snijblad	75,6	1,3	85,9	2,1	ISO22868 (ISO11806-1)/ EN50636-2-91

## Model DUR191L

Snijgarnituur	Geluidsdruk niveau ( $L_{pA}$ ) dB(A)		Geluidsvermogen niveau ( $L_{wA}$ ) dB(A)		Toepasselijke norm
	$L_{pA}$ dB(A)	Onzekerheid (K) dB(A)	$L_{wA}$ dB(A)	Onzekerheid (K) dB(A)	
4-tands snijblad	77,0	3,9	91,6	2,4	ISO22868 (ISO11806-1)
Nylondraad-snijkop	74,0	1,9	87,1	0,9	ISO22868 (ISO11806-1)/ EN50636-2-91
Kunststof snijblad	75,6	1,3	85,9	2,1	ISO22868 (ISO11806-1)/ EN50636-2-91

- Zelfs als het bovenvermelde geluidsdruk niveau 80 dB (A) of minder is, kan het niveau tijdens bedrijf hoger zijn dan 80 dB (A). Draag gehoorbescherming.



**OPMERKING:** De opgegeven geluidsemissiewaarde(n) is/zijn gemeten volgens een standaardtestmethode en kan/kunnen worden gebruikt om dit gereedschap te vergelijken met andere gereedschappen.

**OPMERKING:** De opgegeven geluidsemissiewaarde(n) kan/kunnen ook worden gebruikt voor een beoordeling vooraf van de blootstelling.

**⚠ WAARSCHUWING:** Draag gehoorbescherming.

**⚠ WAARSCHUWING:** De geluidsemissie tijdens het gebruik van het elektrisch gereedschap in de praktijk kan verschillen van de opgegeven waarde(n) afhankelijk van de manier waarop het gereedschap wordt gebruikt, met name van het soort werkstuk waarmee wordt gewerkt.

**⚠ WAARSCHUWING:** Zorg ervoor dat veiligheidsmaatregelen worden getroffen ter bescherming van de gebruiker die zijn gebaseerd op een schatting van de blootstelling onder praktijkomstandigheden (rekening houdend met alle fasen van de bedrijfscyclus, zoals de tijdsduur gedurende welke het gereedschap is uitgeschakeld en stationair draait, naast de ingeschakelde tijdsduur).

## Trillingen

### Model DUR190U

Snijgarnituur	Linkerhand		Rechterhand		Toepasselijke norm
	$a_{h,w}$ ( $m/s^2$ )	Onzekerheid K ( $m/s^2$ )	$a_{h,w}$ ( $m/s^2$ )	Onzekerheid K ( $m/s^2$ )	
4-tands snijblad	$\leq 2,5$	1,5	$\leq 2,5$	1,5	ISO22867 (ISO11806-1)
Nylondraad-snijkop	$\leq 2,5$	1,5	$\leq 2,5$	1,5	ISO22867 (ISO11806-1)
Kunststof snijblad	$\leq 2,5$	1,5	$\leq 2,5$	1,5	ISO22867 (ISO11806-1)

### Model DUR190L

Snijgarnituur	Linkerhand		Rechterhand		Toepasselijke norm
	$a_{h,w}$ ( $m/s^2$ )	Onzekerheid K ( $m/s^2$ )	$a_{h,w}$ ( $m/s^2$ )	Onzekerheid K ( $m/s^2$ )	
4-tands snijblad	$\leq 2,5$	1,5	$\leq 2,5$	1,5	ISO22867 (ISO11806-1)
Nylondraad-snijkop	$\leq 2,5$	1,5	$\leq 2,5$	1,5	ISO22867 (ISO11806-1)
Kunststof snijblad	$\leq 2,5$	1,5	$\leq 2,5$	1,5	ISO22867 (ISO11806-1)

### Model DUR191U

Snijgarnituur	Linkerhand		Rechterhand		Toepasselijke norm
	$a_{h,w}$ ( $m/s^2$ )	Onzekerheid K ( $m/s^2$ )	$a_{h,w}$ ( $m/s^2$ )	Onzekerheid K ( $m/s^2$ )	
4-tands snijblad	$\leq 2,5$	1,5	$\leq 2,5$	1,5	ISO22867 (ISO11806-1)
Nylondraad-snijkop	$\leq 2,5$	1,5	$\leq 2,5$	1,5	ISO22867 (ISO11806-1)
Kunststof snijblad	$\leq 2,5$	1,5	$\leq 2,5$	1,5	ISO22867 (ISO11806-1)

### Model DUR191L

Snijgarnituur	Linkerhand		Rechterhand		Toepasselijke norm
	$a_{h,w}$ ( $m/s^2$ )	Onzekerheid K ( $m/s^2$ )	$a_{h,w}$ ( $m/s^2$ )	Onzekerheid K ( $m/s^2$ )	
4-tands snijblad	$\leq 2,5$	1,5	$\leq 2,5$	1,5	ISO22867 (ISO11806-1)
Nylondraad-snijkop	$\leq 2,5$	1,5	$\leq 2,5$	1,5	ISO22867 (ISO11806-1)
Kunststof snijblad	$\leq 2,5$	1,5	$\leq 2,5$	1,5	ISO22867 (ISO11806-1)

**OPMERKING:** De totale trillingswaarde(n) is/zijn gemeten volgens een standaardtestmethode en kan/kunnen worden gebruikt om dit gereedschap te vergelijken met andere gereedschappen.

**OPMERKING:** De opgegeven totale trillingswaarde(n) kan/kunnen ook worden gebruikt voor een beoordeling vooraf van de blootstelling.

**⚠️ WAARSCHUWING:** De trillingsemissie tijdens het gebruik van het elektrisch gereedschap in de praktijk kan verschillen van de opgegeven waarde(n) afhankelijk van de manier waarop het gereedschap wordt gebruikt, met name van het soort werkstuk waarmee wordt gewerkt.

**⚠️ WAARSCHUWING:** Zorg ervoor dat veiligheidsmaatregelen worden getroffen ter bescherming van de gebruiker die zijn gebaseerd op een schatting van de blootstelling onder praktijkomstandigheden (rekening houdend met alle fasen van de bedrijfscyclus, zoals de tijdsduur gedurende welke het gereedschap is uitgeschakeld en stationair draait, naast de ingeschakelde tijdsduur).

## Symbolen

Hieronder staan de symbolen die voor het gereedschap worden gebruikt. Zorg ervoor dat u weet wat ze betekenen alvorens het gereedschap te gebruiken.

	Wees vooral voorzichtig en let goed op.
	Lees de gebruiksaanwijzing.
	Houd minstens 15 meter afstand.
	Gevaar: let op weggeworpen voorwerpen.
	Voorzichtig: terugslag
	Draag een veiligheidshelm, veiligheidsbril en gehoorbescherming.
	Draag veiligheidshandschoenen.
	Draag stevige schoenen met antislipzolen. Veiligheidsschoenen met stalen neuzen worden aanbevolen.
	Stel niet bloot aan vocht.
	Alleen voor EU-landen Geef elektrisch gereedschap en accu's niet met het huisvuil mee! Volgens de Europese richtlijn inzake oude elektrische en elektronische apparaten, en inzake batterijen en accu's en oude batterijen en accu's, en de toepassing daarvan binnen de nationale wetgeving, dienen elektrisch gereedschap, accu('s) en batterijen die het einde van hun levensduur hebben bereikt, gescheiden te worden ingezameld en te worden afgevoerd naar een recyclebedrijf dat voldoet aan de geldende milieu-eisen.

## EG-verklaring van conformiteit

### Alleen voor Europese landen

De EG-verklaring van conformiteit is bijgevoegd als Bijlage A bij deze gebruiksaanwijzing.

## VEILIGHEIDSWAARSCHUWINGEN

### Algemene veiligheidswaarschuwingen voor elektrisch gereedschap

**⚠️ WAARSCHUWING:** Lees alle veiligheids- waarschuwingen, aanwijzingen en afbeeldingen en technische gegevens behorend bij dit elektrische gereedschap aandachtig door. Als u niet alle onderstaande aanwijzingen naleeft, kan dat resulteren in brand, elektrische schokken en/of ernstig letsel.

### Bewaar alle waarschuwingen en instructies om in de toekomst te kunnen raadplegen.

De term "elektrisch gereedschap" in de veiligheidsvoor- schriften duidt op gereedschappen die op stroom van het lichtnet werken (met snoer) of gereedschappen met een accu (snoerloos).

### Belangrijke veiligheidsinstructies voor het gereedschap

**⚠️ WAARSCHUWING:** Lees alle veiligheids- waarschuwingen en alle instructies. Het niet volgen van de waarschuwingen en instructies kan leiden tot elektrische schokken, brand en/of ernstig letsel.

### Bewaar alle waarschuwingen en instructies om in de toekomst te kunnen raadplegen.

#### Gebruiksdoeleinden

1. Dit gereedschap is uitsluitend bedoeld voor het maaien van gras, onkruid, struiken en ondergroei. Het mag niet worden gebruikt voor enig ander doel, zoals kanten snijden en heggen snoeien, aangezien dit tot letsel kan leiden.

## Algemene instructies

1. Laat in geen geval personen die deze gebruiksaanwijzing niet gelezen hebben, personen (waaronder kinderen) met een verminderd lichamelijk, zintuiglijk of geestelijk vermogen, of gebrek aan kennis en ervaring, het gereedschap gebruiken. Kinderen dienen onder toezicht te staan om ervoor te zorgen dat zij niet met het gereedschap spelen.
2. Lees alvorens het gereedschap te starten deze gebruiksaanwijzing om u bekend te maken met de juiste manier van omgaan met het gereedschap.
3. Leen het gereedschap niet uit aan een persoon met onvoldoende ervaring met of kennis van het omgaan met bosmaaiers en graskantmaaiers.
4. Wanneer u het gereedschap uitleent, geeft u altijd deze gebruiksaanwijzing erbij.
5. Hanteer het gereedschap met de hoogstmogelijke zorg en aandacht.
6. Gebruik het gereedschap nooit na het gebruik van alcohol of drugs, of wanneer u zich moe of ziek voelt.
7. Probeer nooit het gereedschap te wijzigen.
8. Houd u aan de regelgeving zoals die in uw land geldt voor het hanteren van bosmaaiers en graskantmaaiers.

## Persoonlijke-veiligheidsmiddelen

### ► Fig.1

1. Draag een veiligheidshelm, veiligheidsbril en veiligheidshandschoenen om uzelf te beschermen tegen rondvliegend afval en vallende voorwerpen.
2. Draag gehoorbescherming, zoals oorkappen, om gehoorschade te voorkomen.
3. Draag geschikte kleding en schoenen waarmee veilig kan worden gewerkt, zoals een werkoverall en stevige schoenen met antislipzolen. Draag geen loshangende kleding of sieraden. Loshangende kleding, sieraden en lang haar kunnen verstrikt raken in bewegende delen.
4. Trek veiligheidshandschoenen aan voordat u het metalen snijblad aanraakt. Een metalen snijblad kan flinke snijwonden veroorzaken in blote handen.

## Veiligheid op de werkplek

1. Bedien het gereedschap alleen bij goed zicht en daglicht. Bedien het gereedschap niet in het donker of in mist.
2. Gebruik het gereedschap niet in een omgeving waar explosiegevaar bestaat door licht ontvlambare vloeistoffen, gas, damp of stof. Het gereedschap produceert vonken die de dampen of het stof kunnen ontsteken.
3. Tijdens gebruik mag u nooit op een instabiele of gladde ondergrond of op een steile helling staan. Let in de winter op ijs en sneeuw, en zorg er altijd voor dat u stevig staat.
4. Houd tijdens gebruik omstanders en dieren ten minste 15 meter uit de buurt van het gereedschap. Zet het gereedschap uit zodra iemand dichterbij komt.

5. Gebruik het gereedschap nooit wanneer mensen, met name kinderen, of huisdieren zich in de buurt bevinden.
6. Onderzoek het werkgebied op stenen en andere massieve voorwerpen voordat u met de werkzaamheden begint. Deze kunnen worden opgeworpen of gevaarlijke terugslag veroorzaken en leiden tot ernstig letsel en/of materiële schade.
7. **⚠️WAARSCHUWING:** Het gebruik van dit gereedschap kan stof opwerpen waarin chemische bestanddelen kunnen zitten die ziekten aan de luchtwegen of andere ziekten kunnen veroorzaken. Enkele voorbeelden van deze chemische bestanddelen zijn verbindingen die gevonden worden in pesticiden, insecticiden, meststoffen en herbiciden. Het gevaar van blootstelling hangt af van hoe vaak u dit soort werk uitvoert. Om blootstelling aan deze chemicaliën tot een minimum te beperken, dient u in een goed geventileerde omgeving te werken en gebruik te maken van goedgekeurde veiligheidsmiddelen zoals stofmaskers die speciaal ontworpen zijn voor het filteren van microscopische deeltjes.

## Elektrische veiligheid en accu

1. Stel het gereedschap niet bloot aan regen of natte omstandigheden. Als water binnendringt in het gereedschap, wordt de kans op een elektrische schok groter.
2. Gebruik het gereedschap niet als het niet kan worden in- en uitgeschakeld met de schakelaar. Ieder gereedschap dat niet met de schakelaar kan worden bediend is gevaarlijk en moet eerst worden gerepareerd.
3. Voorkom onbedoeld starten. Controleer dat de schakelaar in de uit-stand staat alvorens de accu aan te brengen, het gereedschap op te pakken of te dragen. Door het gereedschap te dragen met uw vinger op de schakelaar, of door het gereedschap op een voeding aan te sluiten terwijl de schakelaar aan staat, neemt de kans op ongevallen sterk toe.
4. Werp de accu(s) niet in een vuur. De accu kan exploderen. Raadpleeg de lokale regelgeving voor mogelijke speciale verwerkingsvereisten.
5. Open of vervorm de accu(s) niet. Het elektrolyt is agressief en kan letsel toebrengen aan de ogen en huid. Het kan giftig zijn bij inslikken.
6. Laad de accu niet op in de regen of op een natte plaats.

## In gebruik nemen

1. Alvorens het gereedschap te monteren of af te stellen, verwijdt u de accu.
2. Trek veiligheidshandschoenen aan voordat u het metalen snijblad hanteert.
3. Voordat u de accu aanbrengt, inspecteert u het gereedschap op beschadigingen, losse schroeven/moeren en verkeerde montage. Slijp het metalen snijblad als het bot is. Als het metalen snijblad verbogen of beschadigd is, vervangt u hem. Controleer of alle bedieningshendels en -schakelaars gemakkelijk kunnen worden bediend. Maak de handgrepen schoon en droog.

4. **Probeer nooit het gereedschap in te schakelen als het beschadigd of nog niet volledig gemon-teerd is.** Anders kan ernstig letsel ontstaan.
5. **Stel het schouderdraagstel en de handgreep af op de lichaamsgrootte van de gebruiker.**
6. **Wanneer u een accu aanbrengt, controleert u of het snijgarnituur uw lichaam en andere voorwerpen, zoals de grond, niet raakt.** Dit kan bij het inschakelen gaan draaien en persoonlijk letsel, schade aan het gereedschap en/of materi-ele schade veroorzaken.
7. **Verwijder alle verstelsleutels, -tangen en schede voordat u het gereedschap inschakelt.** Een acces-soire dat nog aan een draaiend deel van het gereed-schap vastzit, kan persoonlijk letsel veroorzaken.
8. **Het snijgarnituur moet zijn uitgerust met een beschermkap.** Gebruik het gereedschap nooit met een beschadigde beschermkap of zonder aangebrachte beschermkap!
9. **Verzeker u ervan dat er geen elektriciteitska-bels, waterleidingen, gasleidingen, enz. zijn die een gevaarlijke situatie zouden kunnen veroorzaken als ze worden beschadigd door het gebruik van dit gereedschap.**
12. **Als gras of takken bekneld raken tussen het snijgarnituur en de beschermkap, schakel u altijd het gereedschap uit en verwijdert u de accu voordat u ze verwijdert.** Als u dat niet doet, kan het snijgarnituur onbedoeld gaan ronddraaien en ernstig letsel veroorzaken.
13. **Raak gevaarlijke, bewegende delen nooit aan voordat de bewegende delen volledig tot stil-stand zijn gekomen en de accu is verwijderd.**
14. **Als het snijgarnituur een steen of ander hard voorwerp raakt, schakel u het gereedschap onmiddellijk uit.** Verwijder daarna de accu en inspecteer het snijgarnituur.
15. **Controleer het snijgarnituur tijdens gebruik veelvuldig op barsten of beschadigingen.** Voordat u inspecteert, verwijdert u de accu en wacht u tot het snijgarnituur volledig tot stilstand is gekomen. Vervang een beschadigd snijgarnituur onmiddellijk, ook wanneer het slechts oppervlakkige barsten vertoont.
16. **Werk nooit boven heuphoogte.**
17. **Nadat u het gereedschap hebt ingeschakeld, wacht u tot het snijgarnituur een constant toeren-tal heeft bereikt alvorens het maaien te starten.**
18. **Bij gebruik van een metalen snijblad, zwaait u het gereedschap gelijkmatig in halve cirkels van rechts naar links, zoals een zeis wordt gebruikt.**
19. **Houd het elektrisch gereedschap alleen vast bij het geïsoleerde oppervlak omdat het metalen snijblad met verborgen bedrading in aanraking kan komen.** Wanneer het metalen snijblad in aan-raking komt met onder spanning staande draden, zullen de niet-geïsoleerde metalen delen van het gereedschap onder spanning komen te staan zodat de gebruiker een elektrische schok kan krijgen.
20. **Schakel het gereedschap niet in wanneer gemaaid gras verstrikt is geraakt rondom het metalen snijblad.**
21. **Alvorens het gereedschap in te schakelen, ver-zekert u zich ervan dat het gereedschap niet de grond of andere obstakels, zoals een boom, raakt.**
22. **Houd tijdens gebruik het gereedschap altijd met twee handen vast.** Houd het gereedschap tijdens het gebruik nooit met slechts één hand vast.
23. **Bedien het gereedschap niet tijdens slecht weer of als de kans op bliksem bestaat.**

## Gebruik

1. **In geval van nood zet u het gereedschap onmiddellijk uit.**
2. **Als u tijdens gebruik een ongebruikelijke situ-atie opmerkt (bijv. geluid, trillingen), schakel u het gereedschap uit en verwijdert u de accu.** Gebruik het gereedschap niet meer totdat de oorzaak is opgespoord en verholpen.
3. **Het snijgarnituur blijft nog een korte tijd draaien nadat het gereedschap is uitgeschakeld.** Raak het snijgarnituur niet onmiddellijk aan.
4. **Gebruik tijdens het werk het schouderdraagstel.** Houd het gereedschap stevig tegen uw rechterzij.
5. **Reik niet te ver.** Zorg altijd voor een stevige stand en goede lichaamsbalans. Kijk uit voor verborgen obstakels, zoals boomstronken, boomwortels en greppels, om te voorkomen dat u valt.
6. **Zorg dat u stevig staat op hellingen.**
7. **Loop gewoon en ren niet.**
8. **Werk nooit op een ladder of in een boom om te voorkomen dat u de controle over het gereed-schap verliest.**
9. **Nadat tegen het gereedschap is gestoten of het is gevallen, controleert u de staat ervan voordat u de werkzaamheden hervat.** Controleer de bedieningselementen en veiligheidsvoorzieningen op een juiste werking. Als enige beschadiging zichtbaar is of u twijfelt, vraagt u ons erkende servicecentrum om inspectie en reparatie.
10. **Neem een pauze om te voorkomen dat u door vermoeidheid de controle over het gereed-schap verliest.** Wij adviseren u ieder uur 10 tot 20 minuten te rusten.
11. **Wanneer u het gereedschap achterlaat, al is het maar even, verwijdert u altijd de accu.** Een onbeheerd gereedschap met een aangebrachte accu kan door onbevoegden worden gebruikt en tot een ernstig ongeval leiden.

## Snijgarnituren

1. **Gebruik geen snijgarnituur dat niet is aanbevo-len door ons.**
2. **Gebruik een geschikt snijgarnituur voor de geplande werkzaamheden.**
  - Nylondraad-snijkoppen (graskantmaaierkop-pen) en kunststof snijbladen zijn geschikt voor het maaien van gazongras.
  - Metalen snijbladen zijn geschikt voor het maaien van onkruiden, hoog gras, struiken, heesters, ondergroei, bosjes en dergelijke.
  - Gebruik nooit andere snijbladen, waaronder metalen meerdelige kettingen en vlegelmes-sen. Dit kan leiden tot ernstig letsel.
3. **Gebruik uitsluitend een snijgarnituur dat is gemar-keerd met een toerental dat gelijk is aan of hoger is dan het toerental aangegeven op het gereedschap.**

- Houd altijd uw handen, gezicht en kleding uit de buurt van het snijgarnituur wanneer dit ronddraait. Als u dit niet doet, kan persoonlijk letsel ontstaan.
- Gebruik altijd de beschermkap van het snijgarnituur die geschikt is voor het snijgarnituur dat u gebruikt.
- Voorkom bij gebruik van een metalen snijblad dat terugslag kan optreden en wees altijd voorbereid op per ongeluk optredende terugslag. Raadpleeg de tekst onder het kopje Terugslag.
- Als het gereedschap niet in gebruik is, brengt u altijd de schede aan om het snijblad. Verwijder de schede vóór gebruik.
- Wanneer u het gereedschap in een voertuig vervoert, zet u het goed vast om te voorkomen dat het omvalt. Als u dat niet doet, kan het gereedschap en andere bagage beschadigd worden.

## Onderhoud

- Laat uw gereedschap onderhouden door ons erkende servicecentrum met gebruikmaking van uitsluitend originele vervangingsonderdelen. Een verkeerde reparatie of slecht onderhoud kan de levensduur van het gereedschap verkorten en de kans op ongelukken vergroten.
- Voordat u enige onderhouds-, reparatie- of reinigingswerkzaamheden uitvoert aan het gereedschap, schakelt u altijd het gereedschap uit en verwijdert u de accu.
- Draag altijd veiligheidshandschoenen wanneer u het metalen snijblad hanteert.
- Verwijder altijd stof en vuil vanaf het gereedschap. Gebruik voor dit doel nooit benzine, wasbenzine, thinner, alcohol, enz. Dit kan leiden tot verkleuren, vervormen of barsten van de kunststofdelen.
- Draai na ieder gebruik alle schroeven, bouten en moeren vast.
- Probeer geen onderhouds- of reparatiewerkzaamheden uit te voeren die niet in de gebruiksaanwijzing worden beschreven. Vraag ons erkend servicecentrum om dergelijke werkzaamheden uit te voeren.
- Gebruik altijd uitsluitend onze originele vervangingsonderdelen en accessoires. Als u onderdelen of accessoires van derden gebruikt, kan het gereedschap defect raken, eigendommen worden beschadigd en/of ernstig letsel worden veroorzaakt.
- Verzoek regelmatig ons erkend servicecentrum om het gereedschap te inspecteren en onderhouden.
- Houd het gereedschap altijd in goed werkende staat. Slecht onderhoud kan leiden tot ondermaatse prestaties en de levensduur van het gereedschap verkorten.

## Terugslag (stoot van het snijblad)

- Terugslag (stoot van het snijblad) is een plotselinge reactie op een klemmend of vastgelopen metalen snijblad. Zodra dit optreedt wordt het gereedschap met grote kracht zijwaarts of in de richting van de gebruiker geworpen en kan het ernstig letsel veroorzaken.
- Terugslag treedt met name op wanneer u met het snijbladsegment tussen 12 en 2 uur tegen een hard voorwerp, struiken en takken met een diameter van 3 cm of meer komt.

### ► Fig.2

#### 3. Om terugslag te voorkomen:

- Gebruik het snijbladsegment tussen 8 en 11 uur.
- Gebruik nooit het snijbladsegment tussen 12 en 2 uur.
- Gebruik het snijbladsegment nooit tussen 11 en 12 uur en tussen 2 en 5 uur, behalve indien de gebruiker goed opgeleid en erg ervaren is en dit onder zijn/haar eigen verantwoordelijkheid doet.
- Gebruik het metalen snijblad nooit dichtbij harde voorwerpen, zoals afrasteringen, muren, boomstammen en stenen.
- Houd het metalen snijblad nooit verticaal voor werkzaamheden zoals kanten snijden of heggen snoeien.

### ► Fig.3

## Trillingen

- Mensen met een slechte bloedsomloop die worden blootgesteld aan sterke trillingen, kunnen verwondingen aan bloedvaten of het zenuwstelsel oplopen. Trillingen kunnen de volgende symptomen veroorzaken in de vingers, handen of polsen: 'Slapen' (gevoelloosheid), tintelen, pijn, stekend gevoel, verandering van huidskleur of van de huid. Als een van deze symptomen zich voordoet, raadpleegt u uw huisarts!
- Om de kans op 'witte-vingerziekte' te verkleinen, houdt u uw handen warm tijdens het werk en onderhoudt u het gereedschap en de accessoires goed.

## Vervoeren

- Alvorens het gereedschap te vervoeren, schakelt u het uit en verwijdert u de accu. Breng de schede aan om het metalen snijblad.
- Wanneer u het gereedschap vervoert, draagt u het horizontaal door de schacht vast te pakken.

## Opslag

- Alvorens het gereedschap op te bergen, voert u alle reinigings- en onderhoudswerkzaamheden uit. Verwijder de accu. Breng de schede aan om het metalen snijblad.
- Berg het gereedschap op een droge en hoge of afgesloten plaats op, buiten het bereik van kinderen.
- Laat het gereedschap nooit ergens tegenaan leunen, zoals tegen een muur. Als u dit doet, kan het plotseling vallen en letsel veroorzaken.

## Eerste hulp

- Zorg dat er altijd een EHBO-dooos in de buurt is. Vervang onmiddellijk elk item dat uit de EHBO-dooos is genomen.
- Geef de volgende informatie wanneer u om hulp vraagt:
  - Plaats van het ongeval
  - Beschrijving van het ongeval
  - Aantal gewonden
  - Aard van het letsel
  - Uw naam

## Belangrijke veiligheidsinstructies voor een accu

1. Lees alle voorschriften en waarschuwingen op (1) de acculader, (2) de accu, en (3) het product waarvoor de accu wordt gebruikt, alvorens de accu in gebruik te nemen.
2. Neem de accu niet uit elkaar.
3. Als de gebruikstijd van een opgeladen accu aanzienlijk korter is geworden, moet u het gebruik ervan onmiddellijk stopzetten. Voortgezet gebruik kan oververhitting, brandwonden en zelfs een ontplofing veroorzaken.
4. Als elektrolyt in uw ogen is terechtgekomen, spoelt u uw ogen met schoon water en roept u onmiddellijk de hulp van een dokter in. Elektrolyt in de ogen kan blindheid veroorzaken.
5. Voorkom kortsluiting van de accu:
  - (1) Raak de acculemmen nooit aan met een geleidend materiaal.
  - (2) Bewaar de accu niet in een bak waarin andere metalen voorwerpen zoals spijkers, munten e.d. worden bewaard.
  - (3) Stel de accu niet bloot aan water of regen. Kortsluiting van de accu kan oorzaak zijn van een grote stroomafgifte, oververhitting, brandwonden, en zelfs defecten.
6. Bewaar het gereedschap en de accu niet op plaatsen waar de temperatuur kan oplopen tot 50°C of hoger.
7. Werp de accu nooit in het vuur, ook niet wanneer hij zwaar beschadigd of volledig versleten is. De accu kan ontploffen in het vuur.
8. Wees voorzichtig dat u de accu niet laat vallen en hem niet blootstelt aan schokken of stoten.
9. Gebruik nooit een beschadigde accu.
10. De bijgeleverde lithium-ionbatterijen zijn onderhevig aan de vereisten in de wetgeving omtrent gevaarlijke stoffen.  
Voor commercieel transport en dergelijke door derden en transporteurs moeten speciale vereisten ten aanzien van verpakking en etikettering worden nageleefd.

Als voorbereiding van het artikel dat wordt getransporteerd is het noodzakelijk een expert op het gebied van gevaarlijke stoffen te raadplegen. Houd u tevens aan mogelijk strengere nationale regelgeving.

Blootliggende contactpunten moeten worden afgedekt met tape en de accu moet zodanig worden verpakt dat deze niet kan bewegen in de verpakking.

11. Wanneer u de accu wilt weggooien, verwijdert u de accu vanaf het gereedschap en gooit u hem op een veilige manier weg. Volg bij het weggooien van de accu de plaatselijke voorschriften.
12. Gebruik de accu's uitsluitend met de gereedschappen die door Makita zijn aanbevolen. Als de accu's worden aangebracht in niet-compatibele gereedschappen, kan dat leiden tot brand, buitensporige warmteontwikkeling, een explosie of lekkage van elektrolyt.
13. Als u het gereedschap gedurende een lange tijd niet denkt te gaan gebruiken, moet de accu vanaf het gereedschap worden verwijderd.

## BEWAAR DEZE INSTRUCTIES.

**⚠ LET OP:** Gebruik uitsluitend originele Makita accu's. Het gebruik van niet-originele accu's, of accu's die zijn gewijzigd, kan ertoe leiden dat de accu ontploft en brand, persoonlijk letsel en schade veroorzaakt. Ook vervalt daarmee de garantie van Makita op het gereedschap en de lader van Makita.

## Tips voor een maximale levensduur van de accu

1. Laad de accu op voordat hij volledig ontladen is. Stop het gebruik van het gereedschap en laad de accu op telkens wanneer u vaststelt dat het vermogen van het gereedschap is afgenomen.
2. Laad een volledig opgeladen accu nooit opnieuw op. Te lang opladen verkort de levensduur van de accu.
3. Laad de accu op bij een omgevingstemperatuur tussen 10°C en 40°C. Laat een warme accu afkoelen alvorens hem op te laden.
4. Laad de accu op als u deze gedurende een lange tijd (meer dan zes maanden) niet gaat gebruiken.

## BESCHRIJVING VAN DE ONDERDELEN

► Fig.4

1	Toerentallampjes	2	ADT-lampje (ADT = Automatic Torque Drive Technology (technologie met automatische koppelaandrijving))	3	Waarschuwinglampje	4	Aan-uitknop
5	Omkeerknop	6	Accu	7	Uit-vergrendelknop	8	Trekkerschakelaar
9	Bevestigingssoog	10	Handgreep	11	Beschermstang (afhankelijk van het land)	12	Beschermkap
13	Vergrendelknop (alleen DUR191U en DUR191L)	14	Afdekklepje (alleen DUR191U en DUR191L)	15	Huls (alleen DUR191U en DUR191L)	16	Schouderdraagstel



# BESCHRIJVING VAN DE FUNCTIES

**⚠ WAARSCHUWING:** Zorg er altijd voor dat het gereedschap is uitgeschakeld en dat de accu is verwijderd voordat u de werking van het gereedschap aanpast of controleert. Als het gereedschap niet wordt uitgeschakeld en de accu niet uit het gereedschap wordt verwijderd, kan dat na per ongeluk inschakelen leiden tot ernstig persoonlijk letsel.

## De accu aanbrengen en verwijderen

**⚠ LET OP:** Schakel het gereedschap altijd uit voordat u de accu aanbrengt of verwijderd.

**⚠ LET OP:** Houd het gereedschap en de accu stevig vast tijdens het aanbrengen of verwijderen van de accu. Als u het gereedschap en de accu niet stevig vasthoudt, kunnen deze uit uw handen glijpen en het gereedschap of de accu beschadigen, of kan persoonlijk letsel worden veroorzaakt.

► **Fig.5:** 1. Rood deel 2. Knop 3. Accu

Om de accu te verwijderen verschuift u de knop aan de voorkant van de accu en schuift u tegelijkertijd de accu uit het gereedschap.

Om de accu aan te brengen lijnt u de lip op de accu uit met de groef in de behuizing en duwt u de accu op zijn plaats. Steek de accu zo ver mogelijk in het gereedschap tot u een klikgeluid hoort. Als u het rode deel aan de bovenkant van de knop kunt zien, is de accu niet goed aangebracht.

**⚠ LET OP:** Breng de accu altijd helemaal aan totdat het rode deel niet meer zichtbaar is. Als u dit niet doet, kan de accu per ongeluk uit het gereedschap vallen en u of anderen in uw omgeving verwonden.

**⚠ LET OP:** Breng de accu niet met kracht aan. Als de accu niet gemakkelijk in het gereedschap kan worden geschoven, wordt deze niet goed aangebracht.

## Gereedschap-/accubeveiligingssysteem

Het gereedschap is uitgerust met een gereedschap-/accubeveiligingssysteem. Dit systeem schakelt automatisch de voeding naar de motor uit om de levensduur van het gereedschap en de accu te verlengen. Het gereedschap kan tijdens het gebruik automatisch stoppen als het gereedschap aan één van de volgende omstandigheden wordt blootgesteld:

Waarschuwinglampje			Status
Kleur	● Aan	○ Knippert	
Rood	●	○	Overbelast
Rood	●	○	Oververhit
Rood	○	○	Te ver ontladen

## Overbelastingsbeveiliging

Als één van de volgende situaties zich voordoet met het gereedschap, stopt het gereedschap automatisch en gaat het waarschuwinglampje rood knipperen:

- Het gereedschap wordt overbelast door verstrikt geraakt onkruid of ander vuil.
- Het snijgarantuur wordt geblokkeerd of slaat terug.
- De aan-uitknop wordt ingeschakeld terwijl de trekkerschakelaar ingeknepen is.

Laat in die situatie de trekkerschakelaar los en verwijder zo nodig verstrikt geraakte onkruiden of vuil. Knijp daarna de trekkerschakelaar weer in om het gebruik te hervatten.

**⚠ LET OP:** Als u de verstrikt geraakte onkruiden vanaf het gereedschap wilt verwijderen of het geblokkeerde snijgarantuur wilt vrijmaken, moet u het gereedschap uitschakelen voordat u begint.

## Oververhittingsbeveiliging voor het gereedschap of de accu

Als het gereedschap of de accu oververhit is, stopt het gereedschap automatisch. Wanneer het gereedschap of de accu oververhit is, gaan de toerentalampjes en het ADT-lampje uit en gaat het waarschuwinglampje rood branden. Laat het gereedschap en/of de accu afkoelen alvorens het gereedschap weer in te schakelen.

## Beveiliging tegen te ver ontladen

Wanneer de acculading laag wordt, stopt het gereedschap automatisch. De toerentalampjes en het ADT-lampje gaan uit en het waarschuwinglampje gaat rood knipperen.

Als het gereedschap niet werkt, ook niet wanneer de schakelaars worden bediend, verwijderd u de accu vanaf het gereedschap en laadt u hem op.

## De resterende acculading controleren

**Alleen voor accu's met indicatorlampjes**

► **Fig.6:** 1. Indicatorlampjes 2. Testknop

Druk op de testknop op de accu om de resterende acculading te zien. De indicatorlampjes branden gedurende enkele seconden.

Indicatorlampjes			Resterende acculading
Brandt	Uit	Knippert	
■	□	▧	75% tot 100%
■	■	□	50% tot 75%
■	■	□	25% tot 50%
■	□	□	0% tot 25%
▧	□	□	Laad de accu op.
■	■	□	Er kan een storing zijn opgetreden in de accu.
□	□	■	

**OPMERKING:** Afhankelijk van de gebruiksomstandigheden en de omgevingstemperatuur, is het mogelijk dat de aangegeven acculading verschilt van de werkelijke acculading.

## Hoofdschakelaar

Tik op de aan-uitknop om het gereedschap in te schakelen.

Om het gereedschap uit te schakelen, houdt u de aan-uitknop ingedrukt totdat de toerentallampjes uit gaan.

► **Fig.7:** 1. Toerentallampjes 2. Aan-uitknop

**OPMERKING:** Het gereedschap wordt automatisch uitgeschakeld nadat het gedurende een bepaalde tijdsduur niet is bediend.

## De trekkerschakelaar gebruiken

**⚠WAARSCHUWING:** Controleer altijd, voordat u de accu op het gereedschap aanbrengt, of de trekschakelaar op de juiste manier schakelt en weer terugkeert naar de uit-stand nadat deze is losgelaten. Het gereedschap gebruiken zonder dat de trekschakelaar goed werkt, kan leiden tot verlies van controle en ernstig persoonlijk letsel.

**⚠LET OP:** Leg uw vinger nooit op de schakelaar terwijl u het gereedschap draagt. Het gereedschap kan onbedoeld starten en letsel veroorzaken.

Om te voorkomen dat de trekkerschakelaar per ongeluk wordt bediend, is een uit-vergrendelknop aangebracht. Om het gereedschap te starten, pakt u de handgreep vast (de uit-vergrendelknop wordt bediend door het vastpakken) en knijpt u vervolgens de trekkerschakelaar in. Om het gereedschap te stoppen, laat u de trekkerschakelaar los.

### DUR190U en DUR191U

► **Fig.8:** 1. Uit-vergrendelknop 2. Trekkerschakelaar

### DUR190L en DUR191L




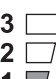
► **Fig.9:** 1. Uit-vergrendelknop 2. Trekkerschakelaar

**OPMERKING:** Nadat het gereedschap gedurende een bepaalde tijd niet is bediend, wordt het gereedschap automatisch uitgeschakeld.

## Toerentalregeling

U kunt het toerental van het gereedschap selecteren door op de aan-uitknop te tikken. Bij elke tik op de aan-uitknop, verandert het toerental.

► **Fig.10:** 1. Toerentallampjes 2. Aan-uitknop  
3. ADT-lampje

Toerentallampjes	Functie	Toerental
	ADT	3.500 - 6.000 min <sup>-1</sup>
	Hoog	6.000 min <sup>-1</sup>
	Gemiddeld	5.100 min <sup>-1</sup>
	Laag	3.500 min <sup>-1</sup>

**OPMERKING:** Wanneer u de ADT (technologie met automatische koppelaandrijving) instelt, gaat het ADT-lampje branden en draait het gereedschap met het optimale toerental en koppel voor de omstandigheden waaronder het gras wordt gemaaid.

## Omkeerknop voor verwijderen van vuil

**⚠WAARSCHUWING:** Schakel het gereedschap uit en verwijder de accu voordat u verstrikt geraakte onkruiden of vuil verwijdert dat niet door de functie voor omgekeerd draaien kon worden verwijderd. Als het gereedschap niet wordt uitgeschakeld en de accu niet uit het gereedschap wordt verwijderd, kan dat na per ongeluk inschakelen leiden tot ernstig persoonlijk letsel.

Dit gereedschap heeft een omkeerknop om de draairichting te veranderen. Dit is alleen voor het verwijderen van onkruiden en vuil dat verstrikt is geraakt in het gereedschap.

Om de draairichting om te keren, tikt u op de omkeerknop en knijpt u de trekkerschakelaar in terwijl u de uit-vergrendelknop ingedrukt houdt nadat het snijgarnituur stilstaat. De toerentallampjes en het ADT-lampje beginnen te knipperen en wanneer u de trekkerschakelaar inknijpt, draait het snijgarnituur in de tegenovergestelde richting.

Om terug te keren naar de normale draairichting, laat u de trekker los en wacht u totdat het snijgarnituur stilstaat.

► **Fig.11:** 1. Toerentallampjes 2. ADT-lampje  
3. Omkeerknop

**OPMERKING:** In de omgekeerde draairichting werkt het gereedschap slechts een korte tijd, waarna het automatisch stopt.

**OPMERKING:** Nadat u het gereedschap is gestopt en u het gereedschap weer start, werkt het in de normale draairichting.

**OPMERKING:** Als u op de omkeerknop tikt terwijl het snijgarnituur nog draait, wordt het gereedschap gestopt en klaargezet voor de omgekeerde draairichting.



## Elektrische rem

Dit gereedschap is voorzien van een elektrische rem. Als het gereedschap continu niet snel stilstaat nadat de trekverschakelaar is losgelaten, laat u het gereedschap onderhouden door ons servicecentrum.

**⚠ LET OP:** Het remsysteem is geen vervanging voor de beschermkap. Gebruik het gereedschap nooit zonder de beschermkap. Een onbeschermd snijgarnituur kan leiden tot ernstig persoonlijk letsel.

## MONTAGE

**⚠ WAARSCHUWING:** Controleer altijd of het gereedschap is uitgeschakeld en de accu is verwijderd alvorens enige werkzaamheden aan het gereedschap te verrichten. Als het gereedschap niet wordt uitgeschakeld en de accu niet uit het gereedschap wordt verwijderd, kan dat na per ongeluk inschakelen leiden tot ernstig persoonlijk letsel.

**⚠ WAARSCHUWING:** Start het gereedschap nooit voordat het op de juiste wijze is gemonteerd. Door het gereedschap in een gedeeltelijk gemonteerde toestand te laten werken, kan dat na per ongeluk inschakelen leiden tot ernstig persoonlijk letsel.

## De handgreep aanbrengen

*Alleen voor DUR190U en DUR191U*

1. Steek de schacht van de handgreep in het handvat. Lijn het schroefgat in het handvat uit met het gat in de schacht. Draai de schroef stevig vast.

► **Fig.12:** 1. Handvat 2. Schroef 3. Handgreep

2. Plaats de handgreep tussen de handgreepklem en de handgreephouder. Stel de handgreep af onder een hoek die u een comfortabele werkhouding biedt en zet hem daarna vast met de inbusbouten.

► **Fig.13:** 1. Inbusbout 2. Handgreepklem 3. Handgreephouder

## De beschermstang aanbrengen

*Voor DUR190L en DUR191L*

Als de beschermstang bij uw model werd geleverd, bevestigt u hem aan de handgreep met behulp van de schroef op de beschermstang.

► **Fig.14:** 1. Beschermstang 2. Schroef

**⚠ LET OP:** Nadat de beschermstang is aangebracht, mag u deze niet verwijderen. De beschermstang werkt als veiligheidsmaatregel om te voorkomen dat u per ongeluk het metalen snijblad aanraakt.

## De hulpstukpijp bevestigen

*Alleen voor DUR191U en DUR191L*

Bevestig de pijp van het hulpstuk aan het aandrijfsysteem.

1. Draai de hendel in de richting van de pijl aangegeven in de afbeelding.

► **Fig.15:** 1. Hendel

2. Open het afdekplekje en steek de hulpstukpijp in de schacht terwijl u het uitsteeksel op de pijp (kant van het snijgarnituur) uitlijnt met de holvormige opening in de schacht.

► **Fig.16:** 1. Vergrendelknop 2. Afdekplekje 3. Pijp

Zorg ervoor dat het bovenvlak van de vergrendelknop parallel ligt aan de pijp.

3. Draai de hendel in de richting van de pijl aangegeven in de afbeelding.

► **Fig.17:** 1. Hendel

Op de pijp te verwijderen, draait u de hendel in de richting van de pijl aangegeven in de afbeelding en trekt u de pijp eruit terwijl u de vergrendelknop ingedrukt houdt.

► **Fig.18:** 1. Hendel 2. Vergrendelknop 3. Pijp

## De beschermkap aanbrengen

**⚠ WAARSCHUWING:** Gebruik het gereedschap nooit zonder dat de beschermkap is aangebracht, zoals aangegeven in de afbeelding. Als u zich hier niet aan houdt, kan ernstig persoonlijk letsel worden veroorzaakt.

**⚠ LET OP:** Wees voorzichtig uzelf niet te verwonden aan het snijgarnituur wanneer u de nylondraad afsnijdt.

Bevestig de beschermkap aan de klem met behulp van bouten.

► **Fig.19:** 1. Klem 2. Beschermkap 3. Mesje

## Het snijgarnituur aanbrengen

**OPMERKING:** Het type snijgarnituur(en) dat als standaard toebehoren is bijgeleverd, verschilt afhankelijk van het land. Het snijgarnituur wordt in sommige landen niet bijgeleverd.

**OPMERKING:** Draai het gereedschap ondersteboven zodat u het snijgarnituur gemakkelijk kunt vervangen.

## Metalen snijblad

**⚠ LET OP:** Bij het hanteren van het metalen snijblad draagt u altijd handschoenen en plaatst u de schede om het snijblad.

**⚠ LET OP:** Het metalen snijblad moet goed geslepen zijn en vrij zijn van barsten of breuken. Als het metalen snijblad tijdens gebruik een steen raakt, stopt u onmiddellijk het gereedschap en controleert u het metalen snijblad.

**⚠ LET OP:** Gebruik altijd het metalen snijblad met de diameter aangegeven in het hoofdstuk Technische gegevens.

► **Fig.20:** 1. Moer 2. Beker 3. Klemring 4. Metalen snijblad 5. As 6. Beschermring 7. Asvergrendelknop

1. Plaats het metalen snijblad op de bescherming zodat de pijlen op het metalen snijblad en de beschermkap in dezelfde richting wijzen.

► **Fig.21:** 1. Pijl

2. Plaats de klemring en beker op het metalen snijblad.

3. Houd de asvergrendelknop ingedrukt en draai daarna de moer stevig vast met behulp van de pijpsleutel.

- **Fig.22:** 1. Asvergrendelknop 2. Pijpsleutel  
3. Losdraaien 4. Vastdraaien

Om het metalen snijblad te verwijderen, houdt u de asvergrendelknop ingedrukt en draait u de moer los.

## Nylondraad-snijkop

**KENNISGEVING:** Gebruik altijd een originele nylondraad-snijkop van Makita.

Terwijl u de asvergrendelknop ingedrukt houdt, plaatst u de nylondraad-snijkop op de as en draait u hem met de hand stevig vast.

- **Fig.23:** 1. Nylondraad-snijkop 2. As  
3. Asvergrendelknop 4. Losdraaien  
5. Vastdraaien

Om de nylondraad-snijkop te verwijderen, houdt u de asvergrendelknop ingedrukt en draait u de nylondraad-snijkop los.

## Kunststof snijblad

**KENNISGEVING:** Gebruik altijd een origineel kunststof snijblad van Makita.

Terwijl u de asvergrendelknop ingedrukt houdt, plaatst u het kunststof snijblad op de as en draait u hem met de hand stevig vast.

- **Fig.24:** 1. Kunststof snijblad 2. As  
3. Asvergrendelknop 4. Losdraaien  
5. Aanhalen

Om het kunststof snijblad te verwijderen, houdt u de asvergrendelknop ingedrukt en draait u het kunststof snijblad los.

**OPMERKING:** U kunt de bijgeleverde inbussleutel gebruiken om het snijgarnituur aan te brengen of te verwijderen. Steek de inbussleutel in het gat, zoals aangegeven in de afbeelding, om de as te vergrendelen.

- **Fig.25:** 1. Inbussleutel 2. Gat

**⚠ LET OP:** Gebruik altijd de bijgeleverde sleutels om het snijgarnituur aan te brengen of te verwijderen.

**⚠ LET OP:** Vergeet niet de inbussleutel die in de gereedschapskop is gestoken te verwijderen nadat het snijgarnituur is aangebracht.

## De positie van de handgreep/het bevestigingsoog afstellen

Stel de positie van de handgreep en het bevestigingsoog af op een comfortabele houding tijdens het gebruik van het gereedschap.

Voor **DUR190U** en **DUR191U**

Stel de positie van de handgreep en het bevestigingsoog af zodat het gereedschap binnen het bereik komt zoals hieronder aangegeven.

- **Fig.26**

1	De positie van het bevestigingsoog boven de grond
2	De positie van het snijgarnituur boven de grond
3	De horizontale afstand tussen het bevestigingsoog en het onbeschermde deel van het snijgarnituur

Draai de inbusbouten stevig los op de onderkant van de handgreephouder. Verplaats de handgreep naar een comfortabele werkhouding en draai daarna de inbusbouten vast.

- **Fig.27:** 1. Handgreephouder 2. Inbusbout  
3. Handgreep

Draai de inbusbouten op het bevestigingsoog los. Verplaats het bevestigingsoog naar een comfortabele werkhouding en draai daarna de inbusbouten vast.

- **Fig.28:** 1. Inbusbout 2. Bevestigingsoog

Voor **DUR190L** en **DUR191L**

Draai de inbusbouten op de handgreep los. Verplaats de handgreep naar een comfortabele werkhouding en draai daarna de inbusbouten vast.

- **Fig.29:** 1. Inbusbout 2. Handgreep

Draai de inbusbout op het bevestigingsoog los. Verplaats het bevestigingsoog naar een comfortabele werkhouding en draai daarna de inbusbout vast.

- **Fig.30:** 1. Inbusbout 2. Bevestigingsoog

## Opbergen van de inbussleutel

Wanneer de inbussleutel niet wordt gebruikt, bergt u hem op zoals aangegeven in de afbeelding zodat u hem niet verliest.

- **Fig.31:** 1. Inbussleutel

Alleen voor **DUR190L** en **DUR191L**

- **Fig.32:** 1. Handgreep 2. Inbussleutel

# BEDIENING

## Het schouderdraagstel bevestigen

**⚠ LET OP:** Gebruik altijd het schouderdraagstel bevestigd aan het gereedschap. Stel voor gebruik het schouderdraagstel af op de lichaamsgrootte van de gebruiker om vermoeidheid te voorkomen.

**⚠ LET OP:** Verzeker u er voor gebruik van dat het schouderdraagstel goed is bevestigd aan het bevestigingsoog van het gereedschap.

Steek de haak van het schouderdraagstel door het bevestigingsoog en trek het schouderdraagstel aan. Zorg ervoor dat het gereedschap stevig is bevestigd aan het schouderdraagstel.

**DUR190U** en **DUR191U**

- **Fig.33:** 1. Haak 2. Bevestigingsoog

**DUR190L** en **DUR191L**

- **Fig.34:** 1. Haak 2. Bevestigingsoog

## Losmaken

Het schouderdraagstel is voorzien van een snelontgrendelingsmethode.

**DUR190U** en **DUR191U**

- **Fig.35:** 1. Strip

Trek de strip eruit om het gereedschap los te maken van het schouderdraagstel.

## DUR190L en DUR191L

► Fig.36: 1. Gesp

Knijp eenvoudigweg de zijkant van de gesp in om het gereedschap los te maken van het schouderdraagstel.

### Correct hanteren van het gereedschap

**⚠WAARSCHUWING:** Houd het gereedschap altijd tegen uw rechterzij. Een correcte plaatsing van het gereedschap geeft een maximale controle over het gereedschap en verkleint de kans op ernstig persoonlijk letsel veroorzaakt door terugslag.

**⚠WAARSCHUWING:** Let er goed op dat u te allen tijde de controle over het gereedschap behoudt. Zorg ervoor dat het gereedschap zich niet in uw richting of in de richting van iemand die in de buurt staat beweegt. Als u de controle over het gereedschap verliest, kan dat leiden tot ernstig letsel van de gebruiker en omstanders.

**⚠WAARSCHUWING:** Om een ongeval te voorkomen, bewaart u een afstand van 15 meter tussen gebruikers wanneer twee of meer gebruikers in hetzelfde gebied aan het werk zijn. Zorg bovendien voor een persoon die de afstand tussen de gebruikers in de gaten houdt. Als iemand of een dier binnen het werkgebied komt, stopt u onmiddellijk met het gebruik.

**⚠LET OP:** Als tijdens gebruik het snijgarnituur per ongeluk een steen of hard voorwerp raakt, moet het gereedschap worden gestopt en op beschadigingen worden gecontroleerd. Als het snijgarnituur beschadigd is, moet deze onmiddellijk worden vervangen. Het gebruik van een beschadigd snijgarnituur kan leiden tot ernstig persoonlijk letsel.

**⚠LET OP:** Verwijder de schede vanaf het metalen snijblad wanneer u gras gaat maaien.

Een correcte plaatsing en hantering geeft een maximale controle en verkleint de kans op letsel veroorzaakt door terugslag.

## DUR190U en DUR191U

► Fig.37

## DUR190L en DUR191L

► Fig.38

**Bij gebruik van de nylondraad-snijkop (type met stoot-aanvoermecanisme)**

De nylondraad-snijkop is een dubbele-draad-kop voor de graskantmaaier uitgerust met een stoot-aanvoermecanisme.

Om de nylondraad aan te voeren, tikt u met de snijkop op de grond terwijl deze draait.

► Fig.39: 1. Meest effectieve maaigebied

**KENNISGEVING:** Het stoot-aanvoermecanisme zal niet goed werken wanneer de nylondraad-snijkop niet draait.

**OPMERKING:** Als de nylondraad niet wordt aangevoerd wanneer de snijkop tegen de grond wordt gestoten, volgt u de procedures in de tekst onder het kopje Onderhoud om de nylondraad opnieuw op te wikkelen of te vervangen.

## ONDERHOUD

**⚠WAARSCHUWING:** Zorg er altijd voor dat het gereedschap is uitgeschakeld en de accu is verwijderd, voordat u een inspectie of onderhoud aan het gereedschap uitvoert. Als het gereedschap niet wordt uitgeschakeld en de accu niet uit het gereedschap wordt verwijderd, kan dat na per ongeluk inschakelen leiden tot ernstig persoonlijk letsel.

**KENNISGEVING:** Gebruik nooit benzine, wasbenzine, thinner, alcohol en dergelijke. Hierdoor kunnen verkleuring, vervormingen en barsten worden veroorzaakt.

Om de VEILIGHEID en BETROUWBAARHEID van het gereedschap te handhaven, dienen alle reparaties, onderhoud of afstellingen te worden uitgevoerd bij een erkend Makita-servicecentrum of de Makita-fabriek, en altijd met gebruik van Makita-vervangingsonderdelen.

### De nylondraad vervangen

**⚠WAARSCHUWING:** Gebruik uitsluitend nylondraad met de diameter die wordt aangegeven in deze gebruiksaanwijzing. Gebruik nooit een zwaardere draad, metaaldraad, touw of iets dergelijks. Als u dit niet doet, kan dat schade aan het gereedschap veroorzaken en leiden tot ernstig persoonlijk letsel.

**⚠WAARSCHUWING:** Verwijder altijd de nylondraad-snijkop vanaf het gereedschap wanneer u de nylondraad vervangt.

**⚠WAARSCHUWING:** Controleer of het deksel van de nylondraad-snijkop goed op de behuizing is bevestigd, zoals beschreven in deze gebruiksaanwijzing. Als u het deksel niet stevig bevestigt, kan de nylondraad-snijkop uit elkaar vliegen en ernstig persoonlijk letsel veroorzaken.

Vervang de nylondraad wanneer deze niet meer wordt aangevoerd. De vervangingsmethode voor de nylondraad verschilt afhankelijk van het type nylondraad-snijkop.

## 95-M10L

► Fig.40

### Het kunststof snijblad vervangen

Vervang het kunststof snijblad als het is versleten of afgebroken.

► Fig.41

Lijn bij het aanbrengen van het kunststof snijblad, de pijl op het snijblad uit met die op de beschermkap.

► Fig.42: 1. Pijl op de beschermkap 2. Pijl op het snijblad

# PROBLEMEN OPLOSSEN

Alvorens u verzoekt om reparatie, kunt u zelf als volgt het probleem opsporen en oplossen. Als u met een probleem kampt dat in deze handleiding niet wordt beschreven, probeer dan niet het gereedschap te demonteren. Laat reparaties over aan een erkend Makita-servicecentrum, uitsluitend met gebruik van originele Makita-ervangingsonderdelen.

Probleemomschrijving	Waarschijnlijke oorzaak (storing)	Oplossing
Motor loopt niet.	De accu is niet aangebracht.	Breng de accu aan.
	Probleem met de accu (lage spanning).	Laad de accu op. Als het opladen niet helpt, vervangt u de accu.
	De aandrijving werkt niet goed.	Vraag uw plaatselijke, erkende servicecentrum het gereedschap te repareren.
De motor stopt na kort te hebben gedraaid.	De accu is bijna leeg.	Laad de accu op. Als het opladen niet helpt, vervangt u de accu.
	Oververhitting.	Stop het gebruik van het gereedschap en laat het afkoelen.
Het gereedschap bereikt het maximale toerental niet.	De accu is niet goed aangebracht.	Breng de accu aan zoals beschreven in deze gebruiksaanwijzing.
	Het accuvermogen neemt af.	Laad de accu op. Als het opladen niet helpt, vervangt u de accu.
	De aandrijving werkt niet goed.	Vraag uw plaatselijke, erkende servicecentrum het gereedschap te repareren.
Het snijgarnituur draait niet: ⇒ stop het gereedschap onmiddellijk!	Een vreemd voorwerp, zoals een tak, zit vastgeklemd tussen de beschermkap en het snijgarnituur.	Verwijder het vreemde voorwerp.
	De aandrijving werkt niet goed.	Vraag uw plaatselijke, erkende servicecentrum het gereedschap te repareren.
Abnormale trillingen: ⇒ stop het gereedschap onmiddellijk!	Eén uiteinde van de nylondraad is afgebroken.	Tik met de nylondraad-snijkop tegen de grond terwijl deze draait zodat nieuwe nylondraad wordt aangevoerd.
	De aandrijving werkt niet goed.	Vraag uw plaatselijke, erkende servicecentrum het gereedschap te repareren.
Het snijgarnituur en de motor kunnen niet stoppen: ⇒ verwijder de accu onmiddellijk!	Elektrische of elektronische storing.	Verwijder de accu en vraag uw plaatselijk erkende servicecentrum het gereedschap te repareren.

## OPTIONELE ACCESSOIRES

**⚠ WAARSCHUWING:** Gebruik uitsluitend de aanbevolen accessoires of hulpstukken die worden aangegeven in deze gebruiksaanwijzing. Het gebruik van enig ander accessoire of hulpstuk kan leiden tot ernstig persoonlijk letsel.

**⚠ LET OP:** Deze accessoires of hulpstukken worden aanbevolen voor gebruik met het Makita gereedschap dat in deze gebruiksaanwijzing is beschreven. Bij gebruik van andere accessoires of hulpstukken bestaat het gevaar van persoonlijke letsel. Gebruik de accessoires of hulpstukken uitsluitend voor hun bestemde doel.

Wenst u meer bijzonderheden over deze accessoires, neem dan contact op met het plaatselijke Makita-servicecentrum.

- Metalen snijblad
- Nylondraad-snijkop
- Nylondraad (snijdraad)

- Kunststof snijblad
- Originele Makita accu's en acculaders

**OPMERKING:** Sommige items op de lijst kunnen zijn inbegrepen in de doos van het gereedschap als standaard toebehoren. Deze kunnen van land tot land verschillen.

## ESPECIFICACIONES

Modelo:	DUR190U	DUR190L	DUR191U	DUR191L
Tipo de mango	Manillar	Mango circular	Manillar	Mango circular
Velocidad sin carga	3: 6.000 min <sup>-1</sup> 2: 5.100 min <sup>-1</sup> 1: 3.500 min <sup>-1</sup>			
Longitud total (sin implemento de corte)	1.775 mm			
Diámetro del cordón de nylon	2,0 - 2,4 mm			
Implemento de corte aplicable y diámetro del corte	Disco de 3 dientes (P/N 191J34-5)	230 mm		
	Disco de 4 dientes (P/N 729025-2)	230 mm		
	Cabezal de corte de nylon (P/N 126674-0)	300 mm		
	Cuchilla de plástico (P/N 126642-3)	230 mm		
Tensión nominal	CC 18 V			
Peso neto	3,1 - 3,4 kg	2,9 - 3,2 kg	3,4 - 3,7 kg	3,2 - 3,5 kg

- Debido a nuestro continuado programa de investigación y desarrollo, las especificaciones aquí dadas están sujetas a cambios sin previo aviso.
- Las especificaciones pueden ser diferentes de país a país.
- El peso puede variar dependiendo del accesorio(s), incluyendo el cartucho de batería. La combinación menos pesada y la más pesada, de acuerdo con el procedimiento EPTA 01/2014, se muestran en la tabla.

### Cartucho de batería y cargador aplicables

Cartucho de batería	BL1815N / BL1820 / BL1820B / BL1830 / BL1830B / BL1840 / BL1840B / BL1850 / BL1850B / BL1860B
Cargador	DC18RC / DC18RD / DC18RE / DC18SD / DC18SE / DC18SF / DC18SH

- Algunos de los cartuchos de batería y cargadores indicados arriba puede que no estén disponibles dependiendo de su región de residencia.

**⚠ ADVERTENCIA:** Utilice solamente los cartuchos de batería y cargadores listados arriba. La utilización de cualquier otro cartucho de batería y cargador puede ocasionar heridas y/o un incendio.

### Adaptador de batería recomendado

Adaptadora de Batería	PDC01
-----------------------	-------

- El adaptador o adaptadores de batería indicados arriba puede que no estén disponibles dependiendo de su región de residencia.
- Antes de utilizar el adaptador de batería, lea las instrucciones e indicaciones de precaución sobre el adaptador de batería.

# Ruido

## Modelo DUR190U

Implemento de corte	Nivel de presión sonora ( $L_{pA}$ ) dB(A)		Nivel de potencia sonora ( $L_{WA}$ ) dB(A)		Estándar aplicable
	$L_{pA}$ dB(A)	Incertidumbre (K) dB(A)	$L_{WA}$ dB(A)	Incertidumbre (K) dB(A)	
Disco de 4 dientes	77,0	3,9	91,6	2,4	ISO22868 (ISO11806-1)
Cabezal de corte de nylon	74,0	1,9	87,1	0,9	ISO22868 (ISO11806-1)/ EN50636-2-91
Cuchilla de plástico	75,6	1,3	85,9	2,1	ISO22868 (ISO11806-1)/ EN50636-2-91

## Modelo DUR190L

Implemento de corte	Nivel de presión sonora ( $L_{pA}$ ) dB(A)		Nivel de potencia sonora ( $L_{WA}$ ) dB(A)		Estándar aplicable
	$L_{pA}$ dB(A)	Incertidumbre (K) dB(A)	$L_{WA}$ dB(A)	Incertidumbre (K) dB(A)	
Disco de 4 dientes	77,0	3,9	91,6	2,4	ISO22868 (ISO11806-1)
Cabezal de corte de nylon	74,0	1,9	87,1	0,9	ISO22868 (ISO11806-1)/ EN50636-2-91
Cuchilla de plástico	75,6	1,3	85,9	2,1	ISO22868 (ISO11806-1)/ EN50636-2-91

## Modelo DUR191U

Implemento de corte	Nivel de presión sonora ( $L_{pA}$ ) dB(A)		Nivel de potencia sonora ( $L_{WA}$ ) dB(A)		Estándar aplicable
	$L_{pA}$ dB(A)	Incertidumbre (K) dB(A)	$L_{WA}$ dB(A)	Incertidumbre (K) dB(A)	
Disco de 4 dientes	77,0	3,9	91,6	2,4	ISO22868 (ISO11806-1)
Cabezal de corte de nylon	74,0	1,9	87,1	0,9	ISO22868 (ISO11806-1)/ EN50636-2-91
Cuchilla de plástico	75,6	1,3	85,9	2,1	ISO22868 (ISO11806-1)/ EN50636-2-91

## Modelo DUR191L

Implemento de corte	Nivel de presión sonora ( $L_{pA}$ ) dB(A)		Nivel de potencia sonora ( $L_{WA}$ ) dB(A)		Estándar aplicable
	$L_{pA}$ dB(A)	Incertidumbre (K) dB(A)	$L_{WA}$ dB(A)	Incertidumbre (K) dB(A)	
Disco de 4 dientes	77,0	3,9	91,6	2,4	ISO22868 (ISO11806-1)
Cabezal de corte de nylon	74,0	1,9	87,1	0,9	ISO22868 (ISO11806-1)/ EN50636-2-91
Cuchilla de plástico	75,6	1,3	85,9	2,1	ISO22868 (ISO11806-1)/ EN50636-2-91

- Aunque el nivel de presión del sonido listado arriba es de 80 dB (A) o menos, el nivel en situación de trabajo puede exceder los 80 dB (A). Póngase protección para los oídos.

**NOTA:** El valor (o los valores) de emisión de ruido declarado ha sido medido de acuerdo con un método de prueba estándar y se puede utilizar para comparar una herramienta con otra.

**NOTA:** El valor (o valores) de emisión de ruido declarado también se puede utilizar en una valoración preliminar de exposición.

**⚠ADVERTENCIA:** Póngase protectores para oídos.

**⚠ADVERTENCIA:** La emisión de ruido durante la utilización real de la herramienta eléctrica puede variar del valor (o los valores) de emisión declarado dependiendo de las formas en las que la herramienta sea utilizada, especialmente qué tipo de pieza de trabajo se procesa.

**⚠ADVERTENCIA:** Asegúrese de identificar medidas de seguridad para proteger al operario que estén basadas en una estimación de la exposición en las condiciones reales de utilización (teniendo en cuenta todas las partes del ciclo operativo como las veces cuando la herramienta está apagada y cuando está funcionando en vacío además del tiempo de gatillo).

## Vibración

### Modelo DUR190U

Implemento de corte	Mano izquierda		Mano derecha		Estándar aplicable
	$a_{h,w}$ (m/s <sup>2</sup> )	Incertidumbre K (m/s <sup>2</sup> )	$a_{h,w}$ (m/s <sup>2</sup> )	Incertidumbre K (m/s <sup>2</sup> )	
Disco de 4 dientes	≤ 2,5	1,5	≤ 2,5	1,5	ISO22867 (ISO11806-1)
Cabezal de corte de nylon	≤ 2,5	1,5	≤ 2,5	1,5	ISO22867 (ISO11806-1)
Cuchilla de plástico	≤ 2,5	1,5	≤ 2,5	1,5	ISO22867 (ISO11806-1)

### Modelo DUR190L

Implemento de corte	Mano izquierda		Mano derecha		Estándar aplicable
	$a_{h,w}$ (m/s <sup>2</sup> )	Incertidumbre K (m/s <sup>2</sup> )	$a_{h,w}$ (m/s <sup>2</sup> )	Incertidumbre K (m/s <sup>2</sup> )	
Disco de 4 dientes	≤ 2,5	1,5	≤ 2,5	1,5	ISO22867 (ISO11806-1)
Cabezal de corte de nylon	≤ 2,5	1,5	≤ 2,5	1,5	ISO22867 (ISO11806-1)
Cuchilla de plástico	≤ 2,5	1,5	≤ 2,5	1,5	ISO22867 (ISO11806-1)

### Modelo DUR191U

Implemento de corte	Mano izquierda		Mano derecha		Estándar aplicable
	$a_{h,w}$ (m/s <sup>2</sup> )	Incertidumbre K (m/s <sup>2</sup> )	$a_{h,w}$ (m/s <sup>2</sup> )	Incertidumbre K (m/s <sup>2</sup> )	
Disco de 4 dientes	≤ 2,5	1,5	≤ 2,5	1,5	ISO22867 (ISO11806-1)
Cabezal de corte de nylon	≤ 2,5	1,5	≤ 2,5	1,5	ISO22867 (ISO11806-1)
Cuchilla de plástico	≤ 2,5	1,5	≤ 2,5	1,5	ISO22867 (ISO11806-1)

### Modelo DUR191L

Implemento de corte	Mano izquierda		Mano derecha		Estándar aplicable
	$a_{h,w}$ (m/s <sup>2</sup> )	Incertidumbre K (m/s <sup>2</sup> )	$a_{h,w}$ (m/s <sup>2</sup> )	Incertidumbre K (m/s <sup>2</sup> )	
Disco de 4 dientes	≤ 2,5	1,5	≤ 2,5	1,5	ISO22867 (ISO11806-1)
Cabezal de corte de nylon	≤ 2,5	1,5	≤ 2,5	1,5	ISO22867 (ISO11806-1)
Cuchilla de plástico	≤ 2,5	1,5	≤ 2,5	1,5	ISO22867 (ISO11806-1)

**NOTA:** El valor (o los valores) total de emisión de vibración declarado ha sido medido de acuerdo con un método de prueba estándar y se puede utilizar para comparar una herramienta con otra.

**NOTA:** El valor (o los valores) total de emisión de vibración declarado también se puede utilizar en una valoración preliminar de exposición.

**⚠ ADVERTENCIA:** La emisión de vibración durante la utilización real de la herramienta eléctrica puede variar del valor (o los valores) de emisión declarado dependiendo de las formas en las que la herramienta sea utilizada, especialmente qué tipo de pieza de trabajo se procesa.

**⚠ ADVERTENCIA:** Asegúrese de identificar medidas de seguridad para proteger al operario que estén basadas en una estimación de la exposición en las condiciones reales de utilización (teniendo en cuenta todas las partes del ciclo operativo como las veces cuando la herramienta está apagada y cuando está funcionando en vacío además del tiempo de gatillo).

## Símbolos

A continuación se muestran los símbolos utilizados con este equipo. Asegúrese de que entiende su significado antes de usarlo.

	Preste cuidado y atención especiales.
	Lea el manual de instrucciones.
	Mantenga una distancia de 15 m por lo menos.
	Peligro; sea consciente de que salen objetos lanzados.
	Precaución; contragolpe
	Póngase un casco, gafas de seguridad y protección para los oídos.
	Póngase guantes de protección.
	Utilice botas robustas con suelas antideslizantes. Se recomienda utilizar botas de seguridad con puntera de acero.
	No exponga a la humedad.
 Ni-MH Li-Ion	Sólo para países de la Unión Europea ¡No deseche los aparatos eléctricos o baterías junto con los residuos domésticos! De conformidad con las Directivas Europeas, sobre residuos de equipos eléctricos y electrónicos y baterías y acumuladores y residuos de baterías y acumuladores y su aplicación de acuerdo con la legislación nacional, los aparatos eléctricos y pilas y baterías cuya vida útil haya llegado a su fin deberán ser recogidos por separado y trasladados a una planta de reciclaje que cumpla con las exigencias ecológicas.

## Declaración CE de conformidad

### Para países europeos solamente

La declaración CE de conformidad está incluida como Anexo A de esta manual de instrucciones.

## ADVERTENCIAS DE SEGURIDAD

### Advertencias de seguridad para herramientas eléctricas en general

**⚠ ADVERTENCIA:** Lea todas las advertencias de seguridad, instrucciones, ilustraciones y especificaciones provistas con esta herramienta eléctrica. Si no sigue todas las instrucciones indicadas abajo podrá resultar en una descarga eléctrica, un incendio y/o heridas graves.

### Guarde todas las advertencias e instrucciones para futuras referencias.

El término "herramienta eléctrica" en las advertencias se refiere a su herramienta eléctrica de funcionamiento con conexión a la red eléctrica (con cable) o herramienta eléctrica de funcionamiento a batería (sin cable).

### Instrucciones de seguridad importantes para la herramienta

**⚠ ADVERTENCIA:** Lea todas las advertencias de seguridad y todas las instrucciones. Si no sigue las advertencias e instrucciones podrá resultar en una descarga eléctrica, un incendio y/o heridas graves.

### Guarde todas las advertencias e instrucciones para futuras referencias.

### Uso previsto

1. Esta herramienta ha sido prevista solamente para cortar césped, hierbas, arbustos y maleza. No se debe utilizar con ninguna otra finalidad, como para filar o cortar setos, porque esto podrá ocasionar heridas.



## Instrucciones generales

1. No permita nunca que personas no familiarizadas con estas instrucciones, personas (incluidos niños) con capacidades físicas, sensoriales o mentales reducidas, o sin experiencia y conocimiento utilicen esta herramienta. Los niños pequeños deberán ser supervisados para asegurarse de que no juegan con la herramienta.
2. Antes de poner en marcha la herramienta, lea este manual de instrucciones para familiarizarse con el manejo de la herramienta.
3. No preste la herramienta a una persona con insuficiente experiencia o conocimiento acerca del manejo de desbrozadoras y recortadoras con cordón.
4. Cuando preste la herramienta, incluya siempre este manual de instrucciones.
5. Maneje la herramienta con sumo cuidado y atención.
6. No utilice nunca la herramienta después de consumir alcohol o drogas, o si se siente cansado o enfermo.
7. No intente nunca modificar la herramienta.
8. Siga los reglamentos de su país sobre el manejo de desbrozadoras y recortadoras con cordón.

## Equipo de protección personal

► Fig.1

1. Póngase casco de seguridad, gafas de protección y guantes de protección para protegerse de los restos que salen volando u objetos que caigan.
2. Póngase protección para los oídos como orejeras para evitar pérdida auditiva.
3. Póngase ropa y zapatos apropiados, como un mono de trabajo y zapatos robustos con suela antideslizante, para realizar la operación con seguridad. No se ponga ropa holgada ni joyas. Las ropas holgadas, las joyas y el cabello largo se pueden enganchar en las partes móviles.
4. Cuando toque la cuchilla de corte, póngase siempre guantes de protección. Las cuchillas de corte pueden cortar las manos desnudas gravemente.

## Seguridad en el área de trabajo

1. Utilice la herramienta en buenas condiciones de visibilidad y a la luz del día solamente. No utilice la herramienta en la oscuridad ni con niebla.
2. No utilice la herramienta en atmósferas explosivas, tal como en presencia de líquidos, gases o polvo inflamables. La herramienta crea chispas que pueden prender fuego al polvo o los humos.
3. Durante la operación, no se ponga nunca sobre una superficie inestable o resbaladiza ni en una pendiente empinada. Durante la estación fría, tenga cuidado con el hielo y la nieve y asegúrese siempre de que pisa suelo firme.
4. Durante la operación, mantenga a los transeúntes o animales alejados al menos 15 m de la herramienta. Pare la herramienta en cuanto alguien se acerque.

5. No utilice nunca la herramienta mientras haya gente, especialmente niños, o animales domésticos cerca.
6. Antes de la operación, examine el área de trabajo por si hay piedras u otros objetos sólidos. Estos pueden ser lanzados u ocasionar contra-golpes peligrosos y resultar en heridas graves y/o daños a la propiedad.
7. **⚠ADVERTENCIA:** La utilización de este producto puede crear polvo con contenido de sustancias químicas que puede ocasionar trastornos respiratorios y otros males. Algunos ejemplos de estas sustancias químicas son los compuestos hallados en pesticidas, insecticidas, fertilizantes y herbicidas. El riesgo que usted corre a causa de estas exposiciones variará dependiendo de la frecuencia con que haga este tipo de trabajo. Para reducir su exposición a estas sustancias químicas: trabaje en un área bien ventilada, y trabaje con equipo de seguridad homologado, como esas máscaras contra el polvo que están especialmente diseñadas para filtrar partículas microscópicas.

## Seguridad eléctrica y de la batería

1. No exponga la herramienta a la lluvia ni a condiciones que se pueda mojar. La entrada de agua en la herramienta aumentará el riesgo de que se produzca una descarga eléctrica.
2. No utilice la herramienta si el interruptor no la enciende y apaga. Cualquier herramienta que no pueda ser controlada con el interruptor será peligrosa y deberá ser reparada.
3. Evite las puestas en marcha involuntarias. Asegúrese de que el interruptor está en la posición desactivada antes de instalar una batería, o recoger o transportar la herramienta. El transportar la herramienta con el dedo en el interruptor o el conectar la alimentación de la herramienta que tiene el interruptor activado es una invitación a accidentes.
4. No desheche la batería(s) arrojándola al fuego. La célula puede explotar. Compruebe los códigos locales por si hay instrucciones para el posible desecho especial.
5. No abra o mutile la batería(s). El electrolito liberado es corrosivo y puede ocasionar daño a los ojos o la piel. Puede ser tóxico si se traga.
6. No cargue la batería bajo la lluvia, o en lugares mojados.

## Puesta en operación

1. Antes de ensamblar o ajustar la herramienta, retire el cartucho de batería.
2. Antes de manejar el disco del cortador, póngase guantes de protección.
3. Antes de instalar el cartucho de batería, inspeccione la herramienta por si hay daños, tornillos/tuercas flojos o un ensamblaje incorrecto. Afíle el disco del cortador si se desafiló. Si el disco del cortador está torcido o dañado, reemplácelo. Compruebe todas las palancas de control e interruptores para ver que se accionan con facilidad. Limpie y seque los mangos.

4. **No intente nunca encender la herramienta si está dañada o no está ensamblada completamente.** De lo contrario, podrá resultar en heridas graves.
5. **Ajuste el arnés de hombro y la empuñadura para acomodarlos al tamaño del cuerpo del operario.**
6. **Cuando inserte un cartucho de batería, mantenga el accesorio de corte alejado de su cuerpo y otros objetos, incluido el suelo.** Puede girar al principio y ocasionar heridas o daños a la herramienta y/o a la propiedad.
7. **Retire cualquier llave de ajuste, llave de apriete o cubierta de la cuchilla antes de encender la herramienta.** Un accesorio que haya sido dejado puesto en una parte giratoria de la herramienta puede resultar en heridas personales.
8. **El implemento de corte tiene que estar equipado con el protector. ¡No utilice nunca la herramienta con protectores dañados ni sin los protectores instalados en su sitio!**
9. **Asegúrese de que no hay cables eléctricos, tuberías de agua, tuberías de gas, etc., que puedan ocasionar un riesgo si se dañan al utilizar la herramienta.**
11. **Cuando deje la herramienta, aunque solo sea durante un tiempo corto, retire siempre el cartucho de batería.** La herramienta sin atender con el cartucho de batería instalado puede ser utilizada por una persona no autorizada y ocasionar un accidente grave.
12. **Si quedan césped o ramas atrapadas entre el accesorio de corte y el protector, apague siempre la herramienta y retire el cartucho de batería antes de limpiar.** De lo contrario, el accesorio de corte podrá girar involuntariamente y ocasionar heridas graves.
13. **No toque nunca partes peligrosas en movimiento antes de que las partes peligrosas se hayan detenido completamente y el cartucho de batería haya sido retirado.**
14. **Si el accesorio de corte golpea piedras u otros objetos duros, apague inmediatamente la herramienta.** Después retire el cartucho de batería e inspeccione el accesorio de corte.
15. **Compruebe el accesorio de corte con frecuencia durante la operación por si tiene grietas o daños.** Antes de la inspección, retire el cartucho de batería y espere hasta que el accesorio de corte se haya detenido completamente. **Reemplace inmediatamente el accesorio de corte dañado, aunque solamente tenga grietas superficiales.**

## Operación

1. **En el caso de una emergencia, apague la herramienta inmediatamente.**
2. **Si siente cualquier condición inusual (por ejemplo, ruido, vibración) durante la operación, apague la herramienta y retire el cartucho de batería.** No utilice la herramienta hasta haber reconocido y resuelto la causa.
3. **El accesorio de corte continuará girando durante un periodo de tiempo corto después de apagar la herramienta.** No se precipite a tocar el accesorio de corte.
4. **Durante la operación, utilice el arnés de hombro.** Mantenga la herramienta en su costado derecho firmemente.
5. **No utilice la herramienta donde no alcance.** Mantenga los pies sobre suelo firme y el equilibrio en todo momento. Observe por si hay obstáculos ocultos como troncos de árboles cortados, raíces y zanjas para evitar tropezar.
6. **Asegúrese siempre de que en pendientes apoya bien los pies.**
7. **Camine, nunca corra.**
8. **No trabaje nunca subido en una escalera o un árbol para evitar perder el control.**
9. **Si la herramienta sufre un impacto fuerte o se cae, compruebe la condición antes de continuar trabajando.** Compruebe los controles y dispositivos de seguridad por si funcionan mal. Si hay cualquier daño o tiene dudas, pida a nuestro centro de servicio autorizado que hagan la inspección y reparación.
10. **Descanse para evitar la pérdida de control a causa de la fatiga.** Recomendamos descansar de 10 a 20 minutos cada hora.
16. **No corte nunca por encima de la altura de la cintura.**
17. **Antes de iniciar la operación de corte, espere hasta que el accesorio de corte alcance una velocidad constante después de encender la herramienta.**
18. **Cuando utilice una cuchilla de corte, oscile la herramienta uniformemente en semicírculo de derecha a izquierda, como si utilizara una guadaña.**
19. **Sujete la herramienta por las superficies de asimiento aisladas solamente, porque el disco del cortador puede entrar en contacto con cableado oculto.** El contacto de los discos del cortador con un cable con corriente puede hacer que la corriente circule por las partes metálicas expuestas de la herramienta y soltar una descarga eléctrica al operario.
20. **No ponga en marcha la herramienta cuando el implemento de corte esté enredado con césped cortada.**
21. **Antes de poner en marcha la herramienta, asegúrese de que el implemento de corte no esté tocando el suelo y otros obstáculos como un árbol.**
22. **Durante la operación sujete siempre la herramienta con ambas manos.** No sujete nunca la herramienta con una mano durante la utilización.
23. **No opere la herramienta con mal tiempo o si hay riesgo de relámpagos.**

## Implementos de corte

1. **No utilice un implemento de corte que no esté recomendado por nosotros.**
2. **Utilice un accesorio de corte aplicable para el trabajo que esté haciendo.**
  - Los cabezales de corte de nylon (cabezales de recortadora con cordón) y las cuchillas de plástico son apropiados para recortar el césped.
  - Las cuchillas de corte son adecuadas para cortar hierbas, césped alto, arbustos, setos, monte bajo, matorral, y similares.
  - No utilice nunca otras cuchillas, incluyendo las cadenas pivotantes de varias piezas y cuchillas trilladoras. Podrá resultar en heridas graves.
3. **Utilice solamente un implemento de corte que tenga marcada una velocidad igual o mayor que la velocidad marcada en la herramienta.**
4. **Mantenga siempre las manos, la cara, y la ropa alejadas del implemento de corte cuando este esté girando.** En caso contrario, podrán producirse heridas personales.
5. **Utilice siempre correctamente el protector de accesorio de corte apropiado para el accesorio de corte utilizado.**
6. **Cuando utilice cuchillas de corte, evite un contragolpe y prepárese siempre para un contragolpe accidental.** Consulte la sección para contragolpe.
7. **Cuando no esté siendo utilizada, coloque la cubierta de la cuchilla sobre la cuchilla.** Retire la cubierta antes de la operación.

## Contragolpe (Empujón de la cuchilla)

1. El contragolpe (empujón de la cuchilla) es una reacción repentina a una cuchilla de corte enganchada o confinada. Una vez que ocurre, la herramienta es lanzada lateralmente o hacia el operario con gran fuerza y puede ocasionar heridas graves.
2. El contragolpe ocurre particularmente cuando se aplica el segmento de disco de entre las 12 y las 2 en punto a objetos sólidos, arbustos y árboles de un diámetro de 3 cm o más.

### ► Fig.2

3. **Para evitar el contragolpe:**
  1. **Aplique el segmento de entre las 8 y las 11 en punto.**
  2. **No aplique nunca el segmento de entre las 12 y las 2 en punto.**
  3. **No aplique nunca el segmento de entre las 11 y las 12 en punto ni de entre las 2 y las 5 en punto, a menos que el operario cuente con la formación y la experiencia adecuadas y lo haga bajo su propia responsabilidad.**
  4. **No utilice nunca las cuchillas de corte cerca de objetos sólidos, como vallas, paredes, troncos de árboles y piedras.**
  5. **No utilice nunca las cuchillas de corte en vertical, para tareas como perfilar o recortar setos.**

### ► Fig.3

## Vibración

1. **Las personas con mala circulación de la sangre que se expongan a vibración excesiva podrán sufrir heridas en los vasos sanguíneos o el sistema nervioso.** La vibración puede ocasionar la aparición de los síntomas siguientes en los dedos, manos o muñecas: "adormecimiento" (entumecimiento), hormigueo, dolor, sensación de pinchazos, alteración del color de la piel o alteración de la piel. Si aparece cualquiera de estos síntomas, ¡consulte a un médico!
2. **Para reducir el riesgo del "mal de dedos blancos", mantenga calientes las manos durante la operación y realice correctamente el mantenimiento de la herramienta y los accesorios.**

## Transporte

1. **Antes de transportar la herramienta, apáguela y retire el cartucho de batería.** Coloque la cubierta en la cuchilla de corte.
2. **Cuando transporte la herramienta, llévela siempre en posición horizontal cogiéndola por el eje.**
3. **Cuando transporte la herramienta en un vehículo, sujétela debidamente para evitar que se vuelque.** De lo contrario, podrá resultar en daños a la herramienta y otros equipajes.

## Mantenimiento

1. **Haga que la herramienta sea servida por nuestro centro de servicio autorizado, utilizando siempre únicamente piezas de repuesto genuinas.** Una reparación incorrecta o un mal mantenimiento puede acortar la vida de servicio de la herramienta y aumentar el riesgo de accidentes.
2. **Antes de hacer cualquier trabajo de mantenimiento o reparación o limpiar la herramienta, siempre apáguela y retire el cartucho de batería.**
3. **Póngase siempre guantes de protección cuando maneje la cuchilla de corte.**
4. **Limpie siempre el polvo y la suciedad de la herramienta.** No utilice nunca gasolina, bencina, diluyente, alcohol o similar para el propósito. Puede resultar en decoloración, deformación o agrietamiento de los componentes de plástico.
5. **Después de cada utilización, apriete todos los tornillos y tuercas.**
6. **No intente realizar ningún mantenimiento o reparación no descrito en el manual de instrucciones.** Pida a nuestro centro de servicio autorizado que hagan esos trabajos.
7. **Utilice siempre nuestras piezas de repuesto y accesorios genuinos solamente.** Utilizar piezas o accesorios suministrados por un tercero puede resultar en una rotura de la herramienta, daños a la propiedad y/o heridas graves.
8. **Solicite a nuestro centro de servicio autorizado que inspeccionen y hagan el mantenimiento a la herramienta a intervalos regulares.**
9. **Mantenga siempre la herramienta en buenas condiciones de trabajo.** Un mal mantenimiento puede resultar en un menor rendimiento y acortar la vida de servicio de la herramienta.

## Almacenamiento

1. Antes de almacenar la herramienta, realice una limpieza y mantenimiento completos. Retire el cartucho de batería. Coloque la cubierta en la cuchilla de corte.
2. Almacene la herramienta en un lugar seco y alto o cerrado con llave fuera del alcance de los niños.
3. No apoye la herramienta contra algo, como una pared. De lo contrario, podrá caerse de repente y ocasionar heridas.

## Primeros auxilios

1. Tenga siempre un botiquín de primeros auxilios a mano. Reemplace inmediatamente cualquier elemento tomado del botiquín de primeros auxilios.
2. Cuando pida ayuda, ofrezca la información siguiente:
  - Lugar del accidente
  - Qué ha ocurrido
  - Número de personas heridas
  - Carácter de la herida
  - Su nombre

## Instrucciones de seguridad importantes para el cartucho de batería

1. Antes de utilizar el cartucho de batería, lea todas las instrucciones e indicaciones de precaución sobre (1) el cargador de baterías, (2) la batería, y (3) el producto con el que se utiliza la batería.
2. No desarme el cartucho de batería.
3. Si el tiempo de uso se acorta demasiado, cese la operación inmediatamente. Podría resultar en un riesgo de recalentamiento, posibles quemaduras e incluso una explosión.
4. Si entra electrolito en sus ojos, aclárelos con agua limpia y acuda a un médico inmediatamente. Existe el riesgo de poder perder la vista.
5. No cortocircuite el cartucho de batería:
  - (1) No toque los terminales con ningún material conductor.
  - (2) Evite guardar el cartucho de batería en un cajón junto con otros objetos metálicos, como clavos, monedas, etc.
  - (3) No exponga el cartucho de batería al agua ni a la lluvia.Un cortocircuito en la batería puede producir una gran circulación de corriente, un recalentamiento, posibles quemaduras e incluso una rotura de la misma.
6. No guarde la herramienta y el cartucho de batería en lugares donde la temperatura pueda alcanzar o exceder los 50 °C.
7. Nunca incinere el cartucho de batería incluso en el caso de que esté dañado seriamente o ya no sirva en absoluto. El cartucho de batería puede explotar si se tira al fuego.

8. Tenga cuidado de no dejar caer ni golpear el cartucho de batería.
9. No utilice una batería dañada.
10. Las baterías de litio-ion contenidas están sujetas a los requisitos de la Legislación para Materiales Peligrosos.

Para transportes comerciales, p.ej., por terceras personas y agentes de transportes, se deberán observar requisitos especiales para el empaquetado y etiquetado.

Para la preparación del artículo que se va a enviar, se requiere consultar con un experto en materiales peligrosos. Por favor, observe también la posibilidad de reglamentos nacionales más detallados.

Cubra con cinta aislante o enmascare los contactos expuestos y empaquete la batería de tal manera que no se pueda mover alrededor dentro del embalaje.
11. Para desechar el cartucho de batería, retírelo de la herramienta y deséchelo en un lugar seguro. Siga los reglamentos locales referentes al desecho de la batería.
12. Utilice las baterías solamente con los productos especificados por Makita. La instalación de las baterías en productos no compatibles puede resultar en un incendio, calor excesivo, explosión, o fuga de electrolito.
13. Si la herramienta no va a ser utilizada durante un periodo de tiempo largo, la batería deberá ser retirada de la herramienta.

## GUARDE ESTAS INSTRUCCIONES.

**⚠PRECAUCIÓN:** Utilice solamente baterías genuinas de Makita. La utilización de baterías no genuinas de Makita, o baterías que han sido alteradas, puede resultar en una explosión de la batería ocasionando incendios, heridas personales y daños. También anulará la garantía de Makita para la herramienta y el cargador de Makita.

## Consejos para alargar al máximo la vida de servicio de la batería

1. Cargue el cartucho de batería antes de que se descargue completamente. Detenga siempre la operación y cargue el cartucho de batería cuando note menos potencia en la herramienta.
2. No cargue nunca un cartucho de batería que esté completamente cargado. La sobrecarga acortará la vida de servicio de la batería.
3. Cargue el cartucho de batería a temperatura ambiente de 10 °C - 40 °C. Si un cartucho de batería está caliente, déjelo enfriar antes de cargarlo.
4. Cargue el cartucho de batería si no lo utiliza durante un periodo de tiempo prolongado (más de seis meses).

# DESCRIPCIÓN DE LAS PARTES

► Fig.4

1	Indicador de velocidad	2	Indicador ADT (ADT = Automatic Torque Drive Technology (Tecnología de accionamiento automático de par de torsión))	3	Lámpara de precaución	4	Botón de alimentación principal
5	Botón de inversión	6	Cartucho de batería	7	Palanca de desbloqueo	8	Gatillo interruptor
9	Colgador	10	Mango	11	Barrera (específica para cada país)	12	Protector
13	Palanca de bloqueo (DUR191U y DUR191L solamente)	14	Cubierta del acoplador (DUR191U y DUR191L solamente)	15	Tapa (DUR191U y DUR191L solamente)	16	Arnés de hombro

## DESCRIPCIÓN DEL FUNCIONAMIENTO

**⚠ ADVERTENCIA:** Asegúrese siempre de que la herramienta está apagada y el cartucho de batería retirado antes de ajustar o comprobar la función de la herramienta. No apagar la herramienta y retirar el cartucho de batería puede resultar en heridas personales graves a causa de una puesta en marcha accidental.

### Instalación o extracción del cartucho de batería

**⚠ PRECAUCIÓN:** Apague siempre la herramienta antes de instalar o retirar el cartucho de batería.

**⚠ PRECAUCIÓN:** Sujete la herramienta y el cartucho de batería firmemente cuando instale o retire el cartucho de batería. Si no sujeta la herramienta y el cartucho de batería firmemente podrán caérsele de las manos y resultar en daños a la herramienta y al cartucho de batería y heridas personales.

► Fig.5: 1. Indicador rojo 2. Botón 3. Cartucho de batería

Para retirar el cartucho de batería, deslícelo de la herramienta mientras desliza el botón de la parte frontal del cartucho.

Para instalar el cartucho de batería, alinee la lengüeta del cartucho de batería con la ranura de la carcasa y deslícelo hasta que encaje en su sitio. Insértelo a tope hasta que se bloquee en su sitio produciendo un pequeño chasquido. Si puede ver el indicador rojo en el lado superior del botón, no estará bloqueado completamente.

**⚠ PRECAUCIÓN:** Instale siempre el cartucho de batería completamente hasta que no pueda verse el indicador rojo. En caso contrario, podrá caerse accidentalmente de la herramienta y ocasionarle heridas a usted o a alguien que esté cerca de usted.

**⚠ PRECAUCIÓN:** No instale el cartucho de batería empleando fuerza. Si el cartucho no se desliza al interior fácilmente, será porque no está siendo insertado correctamente.

### Sistema de protección de la herramienta / batería

La herramienta está equipada con un sistema de protección de la herramienta/batería. Este sistema corta automáticamente la alimentación del motor para alargar la vida útil de la herramienta y la batería. La herramienta se detendrá automáticamente durante la operación si la herramienta es puesta en una de las condiciones siguientes:

Lámpara de precaución			Estado
Color	● Encendido	⦿ Parpadeando	
Rojo	●	⦿	Sobrecarga
Rojo	●	●	Recalentamiento
Rojo	●	⦿	Descarga excesiva

### Protección contra sobrecarga

Si la herramienta se encuentra en una de las siguientes situaciones, la herramienta se detendrá automáticamente y la lámpara de precaución comenzará a parpadear en rojo:

- La herramienta se sobrecarga con hiervas enredadas u otros desechos.
- El implemento de corte se bloquea o da un contragolpe.
- El botón de alimentación principal se enciende mientras el gatillo interruptor está siendo apretado.

En esta situación, libere el gatillo interruptor y retire las hiervas enredadas o restos si es necesario. Después de eso, apriete el gatillo interruptor otra vez para reanudar.

**⚠ PRECAUCIÓN:** Si necesita retirar las hiervas enredadas en la herramienta o liberar el implemento de corte bloqueado, asegúrese de apagar la herramienta antes de comenzar.

## Protección contra recalentamiento para la herramienta o la batería

Si la herramienta o el cartucho de batería se recalienta, la herramienta se detiene automáticamente. Cuando la herramienta o el cartucho de batería se recalienta, el indicador de velocidad y el indicador ADT se apagan y la lámpara de precaución se ilumina en rojo. Deje que la herramienta y/o la batería se enfrien antes de encender la herramienta otra vez.

## Protección contra descarga excesiva

Cuando la capacidad de batería sea baja, la herramienta se detendrá automáticamente. El indicador de velocidad y el indicador ADT se apagarán y la lámpara de precaución comenzará a parpadear en rojo. Si la herramienta no funciona aun cuando los interruptores sean accionados, retire el cartucho de batería de la herramienta y cárguelo.

## Modo de indicar la capacidad de batería restante

**Solamente para cartuchos de batería con el indicador**

► **Fig.6:** 1. Lámparas indicadoras 2. Botón de comprobación

Presione el botón de comprobación en el cartucho de batería para indicar la capacidad de batería restante. Las lámparas indicadoras se iluminan durante unos pocos segundos.

Lámparas indicadoras			Capacidad restante
Iluminada	Apagada	Parpadeando	
■	□	▧	75% a 100%
■ ■ ■ ■	□ □ □ □	▧	
■ ■ ■ ■	□ □ □ □	▧	50% a 75%
■ ■ ■ ■	□ □ □ □	▧	25% a 50%
■ ■ ■ ■	□ □ □ □	▧	0% a 25%
▧	□ □ □ □	▧	Cargue la batería.
■ ■ ■ ■	□ □ □ □	▧	Puede que la batería no esté funcionando bien.
□ □ □ □	■ ■ ■ ■	▧	

**NOTA:** Dependiendo de las condiciones de utilización y de la temperatura ambiente, la indicación podrá variar ligeramente de la capacidad real.

## Interruptor de alimentación principal

Golpee ligeramente el botón de alimentación principal para encender la herramienta.

Para apagar la herramienta, mantenga presionado el botón de alimentación principal hasta que el indicador de velocidad se apague.

► **Fig.7:** 1. Indicador de velocidad 2. Botón de alimentación principal

**NOTA:** La herramienta se apagará automáticamente si es dejada sin realizar ninguna operación durante un cierto periodo de tiempo.

## Accionamiento del interruptor

**⚠ ADVERTENCIA:** Antes de instalar el cartucho de batería en la herramienta, compruebe siempre para cerciorarse de que el gatillo interruptor se acciona debidamente y que vuelve a la posición "OFF" cuando lo suelta. La utilización de una herramienta con un interruptor que no se acciona debidamente puede resultar en la pérdida de control y heridas personales graves.

**⚠ PRECAUCIÓN:** No transporte nunca la herramienta con el dedo puesto en el interruptor. La herramienta podrá ponerse en marcha involuntariamente y ocasionar heridas.

Para evitar que el gatillo interruptor pueda accionarse accidentalmente, se ha provisto una palanca de desbloqueo.

Para poner en marcha la herramienta, agarre el mango (la palanca de desbloqueo se libera al agarrar) y después apriete el gatillo interruptor. Para detener la herramienta, suelte el gatillo interruptor.

**DUR190U y DUR191U**

► **Fig.8:** 1. Palanca de desbloqueo 2. Gatillo interruptor

**DUR190L y DUR191L**

► **Fig.9:** 1. Palanca de desbloqueo 2. Gatillo interruptor

**NOTA:** La herramienta se apagará automáticamente después de que sea dejada un cierto periodo de tiempo sin realizar ninguna operación.

## Ajuste de la velocidad

Puede seleccionar la velocidad de la herramienta golpeando ligeramente el botón de alimentación principal. Cada vez que toque ligeramente el botón de alimentación principal, cambiará el nivel de velocidad.

► **Fig.10:** 1. Indicador de velocidad 2. Botón de alimentación principal 3. Indicador ADT



Indicador de velocidad	Modo	Velocidad de giro
	ADT	3.500 - 6.000 min <sup>-1</sup>
3 2 1	Alto	6.000 min <sup>-1</sup>
3 2 1	Medio	5.100 min <sup>-1</sup>
3 2 1	Bajo	3.500 min <sup>-1</sup>

**NOTA:** Cuando establezca ADT (Tecnología de accionamiento automático de par de torsión), el indicador ADT se encenderá y la herramienta funcionará a la velocidad de giro y par de torsión óptimos para la condición del césped que está siendo cortado.

## Botón de inversión para retirar restos

**⚠ADVERTENCIA:** Apague la herramienta y retire el cartucho de batería antes de retirar hiervas enredadas o restos que la función de giro inverso no puede retirar. No apagar la herramienta y retirar el cartucho de batería puede resultar en heridas personales graves a causa de una puesta en marcha accidental.

Esta herramienta tiene un botón de inversión para cambiar la dirección de giro. Este es solamente para retirar hiervas y restos enredados en la herramienta.

Para invertir el giro, golpee ligeramente el botón de inversión y apriete el gatillo interruptor mientras presiona hacia dentro la palanca de desbloqueo cuando el implemento de corte esté parado. Los indicadores de velocidad y el indicador ADT comenzarán a parpadear, y el implemento de corte girará en dirección inversa cuando apriete el gatillo interruptor.

Para volver al giro regular, suelte el gatillo y espere hasta que el implemento de corte se haya parado.

► **Fig.11:** 1. Indicador de velocidad 2. Indicador ADT 3. Botón de inversión

**NOTA:** Durante el giro inverso, la herramienta funciona solamente durante un periodo de tiempo corto y después se para.

**NOTA:** Una vez que la herramienta se para, el giro vuelve a la dirección regular cuando usted pone en marcha la herramienta otra vez.

**NOTA:** Si golpea ligeramente el botón de inversión mientras el implemento de corte todavía está girando, la herramienta se detendrá y estará lista para el giro inverso.

## Freno eléctrico

Esta herramienta está equipada con un freno eléctrico. Si la herramienta consistentemente deja de pararse rápidamente después de soltar el gatillo interruptor, haga que la herramienta sea servida en nuestro centro de servicio.

**⚠PRECAUCIÓN:** Este sistema de freno no es un sustituto para el protector. No utilice nunca la herramienta sin el protector. Un implemento de corte desprotegido puede resultar en heridas personales graves.

## MONTAJE

**⚠ADVERTENCIA:** Asegúrese siempre de que la herramienta está apagada y el cartucho de batería retirado antes de realizar cualquier trabajo en la herramienta. No apagar la herramienta y retirar el cartucho de batería puede resultar en heridas personales graves a causa de una puesta en marcha accidental.

**⚠ADVERTENCIA:** No ponga nunca en marcha la herramienta a menos que esté completamente ensamblada. La operación de la herramienta en un estado parcialmente ensamblado podrá resultar en heridas personales graves a causa de un arranque accidental.

## Instalación del mango

Para **DUR190U** y **DUR191U** solamente

1. Inserte el eje del mango en la empuñadura. Alinee el agujero para tornillo de la empuñadura con el del eje. Apriete el tornillo firmemente.

► **Fig.12:** 1. Empuñadura 2. Tornillo 3. Mango

2. Coloque el mango entre la abrazadera del mango y el soporte del mango. Ajuste el mango en un ángulo que ofrezca una posición de trabajo cómoda y después sujételo con pernos de cabeza hueca hexagonal.

► **Fig.13:** 1. Perno de cabeza hueca hexagonal 2. Abrazadera del mango 3. Soporte del mango

## Colocación de la barrera

Para **DUR190L** y **DUR191L**

Si la barrera está incluida en su modelo, colóquela en el mango utilizando el tornillo de la barrera.

► **Fig.14:** 1. Barrera 2. Tornillo

**⚠PRECAUCIÓN:** Después de montar la barrera, no la retire. La barrera funciona como una pieza de seguridad para evitar que usted entre en contacto con la cuchilla del cortador accidentalmente.

## Montaje del tubo accesorio

### Para DUR191U y DUR191L solamente

Monte el tubo accesorio en la unidad de alimentación.

1. Gire la palanca hasta la dirección de la flecha mostrada en la figura.

► Fig.15: 1. Palanca

2. Levante la cubierta del acoplador e inserte el tubo accesorio mientras alinea la protuberancia en el tubo (lado del implemento de corte) con la porción cóncava de la parte del acoplador.

► Fig.16: 1. Palanca de bloqueo 2. Cubierta del acoplador 3. Tubo

Asegúrese de que la superficie de la palanca de bloqueo está paralela al tubo.

3. Gire la palanca hasta la dirección de la flecha mostrada en la figura.

► Fig.17: 1. Palanca

Para retirar el tubo, gire la palanca hasta la dirección de la flecha mostrada en la figura y extraiga el tubo mientras presiona la palanca de bloqueo.

► Fig.18: 1. Palanca 2. Palanca de bloqueo 3. Tubo

## Instalación del protector

**⚠ADVERTENCIA:** No utilice nunca la herramienta sin el protector en la ilustración puesto en su sitio. No hacerlo puede ocasionar heridas personales graves.

**⚠PRECAUCIÓN:** Tenga cuidado de no herirse con el cortador para cortar el cordón de nylon.

Coloque el protector en la abrazadera utilizando los pernos.

► Fig.19: 1. Abrazadera 2. Protector 3. Cortador

## Instalación del implemento de corte

**NOTA:** El tipo de implemento(s) de corte suministrado(s) como accesorio estándar varía dependiendo de los países. El implemento de corte no se incluye en algunos países.

**NOTA:** Ponga la herramienta al revés de forma que pueda reemplazar el implemento de corte fácilmente.

## Disco del cortador

**⚠PRECAUCIÓN:** Cuando maneje un disco del cortador, utilice siempre guantes y ponga la cubierta del disco sobre el disco.

**⚠PRECAUCIÓN:** El disco del cortador debe estar pulido, y libre de grietas o roturas. Si el disco del cortador golpea una piedra durante la operación, detenga la herramienta y compruebe el disco del cortador inmediatamente.

**⚠PRECAUCIÓN:** Utilice siempre el disco del cortador con el diámetro descrito en la sección de especificaciones.

► Fig.20: 1. Tuerca 2. Copa 3. Arandela de fijación 4. Disco del cortador 5. Mandril 6. Protector 7. Botón de bloqueo del mandril

1. Monte el disco del cortador sobre la guarda de forma que las flechas del disco del cortador y del protector estén apuntando en la misma dirección.

► Fig.21: 1. Flecha

2. Ponga la arandela de fijación y la copa sobre el disco del cortador.

3. Mientras sujeta el botón de bloqueo del mandril, apriete la tuerca firmemente con la llave de tubo.

► Fig.22: 1. Botón de bloqueo del mandril 2. Llave de tubo 3. Aflojar 4. Apretar

Para retirar el disco del cortador, afloje la tuerca mientras sujeta el botón de bloqueo del mandril.

## Cabezal de corte de nylon

**AVISO:** Asegúrese de utilizar un cabezal de corte de nylon genuino de Makita.

Mientras sujeta el botón de bloqueo del mandril, ponga el cabezal de corte de nylon sobre el mandril y apriételo firmemente a mano.

► Fig.23: 1. Cabezal de corte de nylon 2. Mandril 3. Botón de bloqueo del mandril 4. Aflojar 5. Apretar

Para retirar el cabezal de corte de nylon, afloje el cabezal de corte de nylon mientras sujeta el botón de bloqueo del mandril.

## Cuchilla de plástico

**AVISO:** Asegúrese de utilizar una cuchilla de plástico genuina de Makita.

Mientras sujeta el botón de bloqueo del mandril, ponga la cuchilla de plástico sobre el mandril y apriétela firmemente a mano.

► Fig.24: 1. Cuchilla de plástico 2. Mandril 3. Botón de bloqueo del mandril 4. Aflojar 5. Apretar

Para retirar la cuchilla de plástico, afloje la cuchilla de plástico mientras sujeta el botón de bloqueo del mandril.

**NOTA:** Puede utilizar la llave hexagonal suministrada para instalar/retirar el implemento de corte. Inserte la llave hexagonal en el agujero como se muestra en la figura para bloquear el mandril.

► Fig.25: 1. Llave hexagonal 2. Agujero

**⚠PRECAUCIÓN:** Utilice siempre las llaves suministradas para instalar/retirar el implemento de corte.

**⚠PRECAUCIÓN:** Asegúrese de retirar la llave hexagonal insertada en el cabezal de la herramienta después de instalar el implemento de corte.



## Ajuste de la posición del mango/colgador

Ajuste la posición del mango y colgador para obtener un manejo de la herramienta cómodo.

### Para DUR190U y DUR191U

Ajuste la posición del mango/colgador de manera que la herramienta quede dentro de los límites como se muestra abajo.

► Fig.26

1	La posición del colgador desde el suelo
2	La posición del implemento de corte desde el suelo
3	La distancia horizontal entre el colgador y la parte desprotegida del implemento de corte

Afloje los pernos de cabeza hueca hexagonal de la parte inferior del soporte del mango. Mueva el mango hasta una posición de trabajo cómoda y después apriete los pernos.

► Fig.27: 1. Soporte del mango 2. Perno de cabeza hueca hexagonal 3. Mango

Afloje los pernos de cabeza hueca hexagonal del colgador. Mueva el colgador hasta una posición de trabajo cómoda y después apriete los pernos.

► Fig.28: 1. Perno de cabeza hueca hexagonal 2. Colgador

### Para DUR190L y DUR191L

Afloje los pernos de cabeza hueca hexagonal del mango. Mueva el mango hasta una posición de trabajo cómoda y después apriete los pernos.

► Fig.29: 1. Perno de cabeza hueca hexagonal 2. Mango

Afloje el perno de cabeza hueca hexagonal del colgador. Mueva el colgador hasta una posición de trabajo cómoda y después apriete el perno.

► Fig.30: 1. Perno de cabeza hueca hexagonal 2. Colgador

## Para guardar la llave hexagonal

Cuando no la esté utilizando, guarde la llave hexagonal como se muestra en la figura para evitar perderla.

► Fig.31: 1. Llave hexagonal

### Para DUR190L y DUR191L solamente

► Fig.32: 1. Mango 2. Llave hexagonal

## OPERACIÓN

### Colocación del arnés de hombro

**⚠PRECAUCIÓN:** Utilice siempre el arnés de hombro fijado en la herramienta. Antes de la operación, ajuste el arnés de hombro de acuerdo con la talla del usuario para evitar la fatiga.

**⚠PRECAUCIÓN:** Antes de la operación, asegúrese de que el arnés de hombro está colocado debidamente en el colgador de la herramienta.

Conecte el gancho del arnés de hombro al colgador y póngase el arnés de hombro. Asegúrese de que la herramienta está sujeta firmemente con el arnés de hombro.

### DUR190U y DUR191U

► Fig.33: 1. Gancho 2. Colgador

### DUR190L y DUR191L

► Fig.34: 1. Gancho 2. Colgador

## Desprendimiento

El arnés de hombro cuenta con un medio de desenganche rápido.

### DUR190U y DUR191U

► Fig.35: 1. Tira

Extraiga la tira para desenganchar la herramienta del arnés de hombro.

### DUR190L y DUR191L

► Fig.36: 1. Hebilla

Simplemente apriete los costados de la hebilla para desenganchar la herramienta del arnés de hombro.

## Manejo correcto de la herramienta

**⚠ADVERTENCIA:** Posicione siempre la herramienta en su costado derecho. Un posicionamiento correcto de la herramienta permite el máximo control y reducirá el riesgo de heridas personales graves causadas por un contragolpe.

**⚠ADVERTENCIA:** Tenga mucho cuidado de mantener el control de la herramienta en todo momento. No permita que la herramienta se desvíe hacia usted o hacia cualquiera que se encuentre cerca de usted. No mantener el control de la herramienta puede resultar en heridas graves a los transeúntes y el operario.

**⚠ADVERTENCIA:** Para evitar accidentes, deje una distancia de más de 15 m entre operarios cuando en un área trabajen dos o más operarios. Además, asigne a una persona para que observe la distancia entre operarios. Si una persona o un animal entra en el área de trabajo, cese inmediatamente la operación.

**⚠PRECAUCIÓN:** Si el implemento de corte impacta accidentalmente una roca u objeto duro durante la operación, pare la herramienta e inspeccione por si hay cualquier daño. Si el implemento de corte está dañado, reemplácelo inmediatamente. La utilización de un implemento de corte dañado puede resultar en heridas personales graves.

**⚠PRECAUCIÓN:** Retire la cubierta de la cuchilla de la cuchilla del cortador cuando corte pasto.

Un posicionamiento y manejo correctos permiten un control óptimo y reducen el riesgo de heridas causadas por un contragolpe.

### DUR190U y DUR191U

► Fig.37

### DUR190L y DUR191L

► Fig.38

### Cuando utilice un cabezal de corte de nylon (tipo golpe y alargamiento)

El cabezal de corte de nylon es un cabezal de recorte de cordón doble con un mecanismo de golpe y alargamiento.

Para alargar el cordón de nylon, golpee ligeramente el cabezal de corte contra el suelo mientras está girando.

► **Fig.39:** 1. Área de corte más eficaz

**AVISO:** El alargamiento por golpe no funcionará debidamente si el cabezal de corte de nylon no está girando.

**NOTA:** Si el cordón de nylon no se alarga mientras golpea el cabezal ligeramente, rebobínelo o sustitúyalo siguiendo los procedimientos descritos en la sección de mantenimiento.

## MANTENIMIENTO

**⚠ADVERTENCIA:** Asegúrese siempre de que la herramienta está apagada y el cartucho de batería retirado antes de intentar hacer una inspección o mantenimiento en la herramienta. No apagar la herramienta y retirar el cartucho de batería puede resultar en heridas personales graves a causa de una puesta en marcha accidental.

**AVISO:** No utilice nunca gasolina, bencina, disolvente, alcohol o similares. Podría producir descoloración, deformación o grietas.

Para mantener la SEGURIDAD y FIABILIDAD del producto, las reparaciones, y cualquier otra tarea de mantenimiento o ajuste deberán ser realizadas en centros de servicio o de fábrica autorizados por Makita, empleando siempre repuestos Makita.

### Reemplazo del cordón de nylon

**⚠ADVERTENCIA:** Utilice solamente un cordón de nylon con el diámetro especificado en este manual de instrucciones. No utilice nunca una línea más pesada, alambre, cuerda o similar. En caso contrario, podrá ocasionar daños a la herramienta y resultar en heridas personales graves.

**⚠ADVERTENCIA:** Retire siempre el cabezal de corte de nylon de la herramienta cuando reemplace el cordón de nylon.

**⚠ADVERTENCIA:** Asegúrese de que la cubierta del cabezal de corte de nylon está sujeta al alojamiento correctamente como se describe en este manual de instrucciones. No sujetar la cubierta debidamente puede ocasionar que el cabezal de corte de nylon salga despedido resultando en heridas personales graves.

Reemplace el cordón de nylon si deja de alargarse. El método de reemplazo del cordón de nylon varía dependiendo del tipo de cabezal de corte de nylon.

### 95-M10L

► **Fig.40**

### Reemplazo de la cuchilla de plástico

Reemplace la cuchilla de plástico si está desgastada o rota.

► **Fig.41**

Cuando instale la cuchilla de plástico, alinee la dirección de la flecha de la cuchilla con la del protector.

► **Fig.42:** 1. Flecha del protector 2. Flecha de la cuchilla

# SOLUCIÓN DE PROBLEMAS

Antes de solicitar reparaciones, realice su propia inspección en primer lugar. Si encuentra un problema que no está explicado en el manual, no intente desmontar la herramienta. En su lugar, pregunte en los centros de servicio autorizados Makita, utilizando siempre piezas de recambio Makita para las reparaciones.

Estado de anomalía	Causa probable (mal funcionamiento)	Remedio
El motor no se pone en marcha.	El cartucho de batería no está instalado.	Instale el cartucho de batería.
	Problema de batería (poca tensión)	Recargue la batería. Si la recarga no se realiza efectivamente, reemplace la batería.
	El sistema de accionamiento no funciona correctamente.	Pida a su centro de servicio autorizado local que le hagan la reparación.
El motor se para después de usarlo un poco.	El nivel de carga de la batería es bajo.	Recargue la batería. Si la recarga no se realiza efectivamente, reemplace la batería.
	Recalentamiento.	Deje de utilizar la herramienta para permitir que se enfríe.
No alcanza el máximo de RPM.	La batería está instalada incorrectamente.	Instale el cartucho de batería como se describe en este manual.
	La potencia de la batería está cayendo.	Recargue la batería. Si la recarga no se realiza efectivamente, reemplace la batería.
	El sistema de accionamiento no funciona correctamente.	Pida a su centro de servicio autorizado local que le hagan la reparación.
El implemento de corte no gira: ⇒ ¡detenga la máquina inmediatamente!	Se ha atascado un objeto extraño como una rama entre el protector y el implemento de corte.	Retire el objeto extraño.
	El sistema de accionamiento no funciona correctamente.	Pida a su centro de servicio autorizado local que le hagan la reparación.
Vibración anormal: ⇒ ¡detenga la máquina inmediatamente!	Un extremo del cordón de nylon se ha roto.	Golpee ligeramente el cabezal de corte de nylon contra el suelo mientras está girando para hacer que el cordón se alargue.
	El sistema de accionamiento no funciona correctamente.	Pida a su centro de servicio autorizado local que le hagan la reparación.
El implemento de corte y el motor no se pueden detener: ⇒ ¡Retire la batería inmediatamente!	Mal funcionamiento eléctrico o electrónico.	Retire la batería y pida a su centro de servicio autorizado local que le hagan la reparación.

## ACCESORIOS OPCIONALES

**⚠ADVERTENCIA:** Utilice solamente los accesorios o aditamentos recomendados indicados en este manual. La utilización de cualquier otro accesorio o aditamento puede resultar en heridas personales graves.

**⚠PRECAUCIÓN:** Estos accesorios o aditamentos están recomendados para su uso con la herramienta Makita especificada en este manual. El uso de cualquier otro accesorio o aditamento puede suponer un riesgo de heridas personales. Utilice el accesorio o aditamento solamente con la finalidad indicada para el mismo.

- Cordón de nylon (línea de corte)
- Cuchilla de plástico
- Batería y cargador genuinos de Makita

**NOTA:** Algunos elementos de la lista podrán estar incluidos en el paquete de la herramienta como accesorios estándar. Pueden variar de un país a otro.

Si necesita cualquier ayuda para más detalles en relación con estos accesorios, pregunte al centro de servicio Makita local.

- Disco del cortador
- Cabezal de corte de nylon

## ESPECIFICAÇÕES

Modelo:	DUR190U	DUR190L	DUR191U	DUR191L
Tipo de pega	Pega de bicicleta	Pega circular	Pega de bicicleta	Pega circular
Velocidade sem carga	3: 6.000 min <sup>-1</sup> 2: 5.100 min <sup>-1</sup> 1: 3.500 min <sup>-1</sup>			
Comprimento total (sem ferramenta de corte)	1.775 mm			
Diâmetro do fio de nylon	2,0 - 2,4 mm			
Ferramenta de corte aplicável e diâmetro de corte	Lâmina de 3 dentes (P/N 191J34-5)	230 mm		
	Lâmina de 4 dentes (P/N 729025-2)	230 mm		
	Cabeça de corte de nylon (P/N 126674-0)	300 mm		
	Lâmina de plástico (P/N 126642-3)	230 mm		
Tensão nominal	CC 18 V			
Peso líquido	3,1 - 3,4 kg	2,9 - 3,2 kg	3,4 - 3,7 kg	3,2 - 3,5 kg

- Devido a um programa contínuo de pesquisa e desenvolvimento, estas especificações estão sujeitas a alteração sem aviso prévio.
- As especificações podem variar de país para país.
- O peso poderá diferir em função do acessório(s), incluindo a bateria. A combinação mais leve e mais pesada, de acordo com o Procedimento EPTA 01/2014, é apresentada na tabela.

### Bateria e carregador aplicável

Bateria	BL1815N / BL1820 / BL1820B / BL1830 / BL1830B / BL1840 / BL1840B / BL1850 / BL1850B / BL1860B
Carregador	DC18RC / DC18RD / DC18RE / DC18SD / DC18SE / DC18SF / DC18SH

- Algumas das baterias e carregadores listados acima poderão não estar disponíveis, dependendo da sua região de residência.

**⚠AVISO:** Utilize apenas as baterias e carregadores listados acima. A utilização de quaisquer outras baterias e carregadores pode causar ferimentos e/ou um incêndio.

### Adaptador da bateria recomendado

Adaptador de Bateria	PDC01
----------------------	-------

- Os adaptadores da bateria listados acima poderão não estar disponíveis, dependendo da sua região de residência.
- Antes de utilizar o adaptador da bateria, leia as instruções e etiquetas de precaução no adaptador da bateria.

## Modelo DUR190U

Ferramenta de corte	Nível de pressão sonora ( $L_{pA}$ ) dB(A)		Nível de potência sonora ( $L_{WA}$ ) dB(A)		Padrão aplicável
	$L_{pA}$ dB(A)	Incerteza (K) dB(A)	$L_{WA}$ dB(A)	Incerteza (K) dB(A)	
Lâmina de 4 dentes	77,0	3,9	91,6	2,4	ISO22868 (ISO11806-1)
Cabeça de corte de nylon	74,0	1,9	87,1	0,9	ISO22868 (ISO11806-1)/ EN50636-2-91
Lâmina de plástico	75,6	1,3	85,9	2,1	ISO22868 (ISO11806-1)/ EN50636-2-91

## Modelo DUR190L

Ferramenta de corte	Nível de pressão sonora ( $L_{pA}$ ) dB(A)		Nível de potência sonora ( $L_{WA}$ ) dB(A)		Padrão aplicável
	$L_{pA}$ dB(A)	Incerteza (K) dB(A)	$L_{WA}$ dB(A)	Incerteza (K) dB(A)	
Lâmina de 4 dentes	77,0	3,9	91,6	2,4	ISO22868 (ISO11806-1)
Cabeça de corte de nylon	74,0	1,9	87,1	0,9	ISO22868 (ISO11806-1)/ EN50636-2-91
Lâmina de plástico	75,6	1,3	85,9	2,1	ISO22868 (ISO11806-1)/ EN50636-2-91

## Modelo DUR191U

Ferramenta de corte	Nível de pressão sonora ( $L_{pA}$ ) dB(A)		Nível de potência sonora ( $L_{WA}$ ) dB(A)		Padrão aplicável
	$L_{pA}$ dB(A)	Incerteza (K) dB(A)	$L_{WA}$ dB(A)	Incerteza (K) dB(A)	
Lâmina de 4 dentes	77,0	3,9	91,6	2,4	ISO22868 (ISO11806-1)
Cabeça de corte de nylon	74,0	1,9	87,1	0,9	ISO22868 (ISO11806-1)/ EN50636-2-91
Lâmina de plástico	75,6	1,3	85,9	2,1	ISO22868 (ISO11806-1)/ EN50636-2-91

## Modelo DUR191L

Ferramenta de corte	Nível de pressão sonora ( $L_{pA}$ ) dB(A)		Nível de potência sonora ( $L_{WA}$ ) dB(A)		Padrão aplicável
	$L_{pA}$ dB(A)	Incerteza (K) dB(A)	$L_{WA}$ dB(A)	Incerteza (K) dB(A)	
Lâmina de 4 dentes	77,0	3,9	91,6	2,4	ISO22868 (ISO11806-1)
Cabeça de corte de nylon	74,0	1,9	87,1	0,9	ISO22868 (ISO11806-1)/ EN50636-2-91
Lâmina de plástico	75,6	1,3	85,9	2,1	ISO22868 (ISO11806-1)/ EN50636-2-91

- Mesmo que o nível de pressão sonora indicado acima seja 80 dB (A) ou menos, o nível durante o trabalho pode exceder os 80 dB (A). Utilize proteção auricular.

**NOTA:** O(s) valor(es) da emissão de ruído indicado(s) foi medido de acordo com um método de teste padrão e pode ser utilizado para comparar duas ferramentas.

**NOTA:** O(s) valor(es) da emissão de ruído indicado(s) pode também ser utilizado na avaliação preliminar da exposição.

**⚠AVISO:** Utilize protetores auriculares.

**⚠AVISO:** A emissão de ruído durante a utilização real da ferramenta elétrica pode diferir do(s) valor(es) indicado(s), dependendo das formas como a ferramenta é utilizada, especialmente o tipo de peça de trabalho que é processada.

**⚠AVISO:** Certifique-se de identificar as medidas de segurança para proteção do operador que sejam baseadas em uma estimativa de exposição em condições reais de utilização (considerando todas as partes do ciclo de operação, tal como quando a ferramenta está desligada e quando está a funcionar em marcha lenta além do tempo de acionamento).

## Vibração

### Modelo DUR190U

Ferramenta de corte	Mão esquerda		Mão direita		Padrão aplicável
	$a_{h,w}$ (m/s <sup>2</sup> )	K de incerteza (m/s <sup>2</sup> )	$a_{h,w}$ (m/s <sup>2</sup> )	K de incerteza (m/s <sup>2</sup> )	
Lâmina de 4 dentes	≤ 2,5	1,5	≤ 2,5	1,5	ISO22867 (ISO11806-1)
Cabeça de corte de nylon	≤ 2,5	1,5	≤ 2,5	1,5	ISO22867 (ISO11806-1)
Lâmina de plástico	≤ 2,5	1,5	≤ 2,5	1,5	ISO22867 (ISO11806-1)

### Modelo DUR190L

Ferramenta de corte	Mão esquerda		Mão direita		Padrão aplicável
	$a_{h,w}$ (m/s <sup>2</sup> )	K de incerteza (m/s <sup>2</sup> )	$a_{h,w}$ (m/s <sup>2</sup> )	K de incerteza (m/s <sup>2</sup> )	
Lâmina de 4 dentes	≤ 2,5	1,5	≤ 2,5	1,5	ISO22867 (ISO11806-1)
Cabeça de corte de nylon	≤ 2,5	1,5	≤ 2,5	1,5	ISO22867 (ISO11806-1)
Lâmina de plástico	≤ 2,5	1,5	≤ 2,5	1,5	ISO22867 (ISO11806-1)

### Modelo DUR191U

Ferramenta de corte	Mão esquerda		Mão direita		Padrão aplicável
	$a_{h,w}$ (m/s <sup>2</sup> )	K de incerteza (m/s <sup>2</sup> )	$a_{h,w}$ (m/s <sup>2</sup> )	K de incerteza (m/s <sup>2</sup> )	
Lâmina de 4 dentes	≤ 2,5	1,5	≤ 2,5	1,5	ISO22867 (ISO11806-1)
Cabeça de corte de nylon	≤ 2,5	1,5	≤ 2,5	1,5	ISO22867 (ISO11806-1)
Lâmina de plástico	≤ 2,5	1,5	≤ 2,5	1,5	ISO22867 (ISO11806-1)

### Modelo DUR191L

Ferramenta de corte	Mão esquerda		Mão direita		Padrão aplicável
	$a_{h,w}$ (m/s <sup>2</sup> )	K de incerteza (m/s <sup>2</sup> )	$a_{h,w}$ (m/s <sup>2</sup> )	K de incerteza (m/s <sup>2</sup> )	
Lâmina de 4 dentes	≤ 2,5	1,5	≤ 2,5	1,5	ISO22867 (ISO11806-1)
Cabeça de corte de nylon	≤ 2,5	1,5	≤ 2,5	1,5	ISO22867 (ISO11806-1)
Lâmina de plástico	≤ 2,5	1,5	≤ 2,5	1,5	ISO22867 (ISO11806-1)

**NOTA:** O(s) valor(es) total(ais) de vibração indicado(s) foi medido de acordo com um método de teste padrão e pode ser utilizado para comparar duas ferramentas.











**NOTA:** O(s) valor(es) total(ais) de vibração indicado(s) pode também ser utilizado na avaliação preliminar da exposição.

**⚠️ AVISO:** A emissão de vibração durante a utilização real da ferramenta elétrica pode diferir do(s) valor(es) indicado(s), dependendo das formas como a ferramenta é utilizada, especialmente o tipo de peça de trabalho que é processada.

**⚠️ AVISO:** Certifique-se de identificar as medidas de segurança para proteção do operador que sejam baseadas em uma estimativa de exposição em condições reais de utilização (considerando todas as partes do ciclo de operação, tal como quando a ferramenta está desligada e quando está a funcionar em marcha lenta além do tempo de acionamento).

## Símbolos

A seguir são apresentados os símbolos utilizados para o equipamento. Certifique-se de que compreende o seu significado antes de utilizar o equipamento.

	Tenha especial cuidado e atenção.
	Leia o manual de instruções.
	Mantenha uma distância de, pelo menos, 15 m.
	Perigo; cuidado com os objetos arremessados.
	Cuidado; ressaltos
	Use capacetes, óculos de proteção e proteção auricular.
	Use luvas de proteção.
	Use botas robustas com solas antideslizantes. Recomendamos botas com biqueira de aço.
	Não exponha à humidade.
	Ni-MH Li-ion
	Apenas para países da UE. Não elimine equipamentos elétricos ou baterias com o lixo doméstico! Tendo em conta as Diretivas europeias relativas a resíduos de equipamentos elétricos e eletrónicos e baterias e acumuladores e resíduos de baterias e acumuladores e à implementação das mesmas de acordo com as leis nacionais, os equipamentos elétricos e as baterias e pacotes de baterias que chegaram ao fim da vida têm de ser recolhidos separadamente e entregues a instalações de reciclagem ambientalmente compatíveis.

## Declaração de conformidade da CE

### Apenas para os países europeus

A declaração de conformidade da CE está incluída como Anexo A neste manual de instruções.

## AVISOS DE SEGURANÇA

### Avisos gerais de segurança para ferramentas elétricas

**⚠️ AVISO:** Leia todos os avisos de segurança, instruções, ilustrações e especificações fornecidos com esta ferramenta elétrica. O não cumprimento de todas as instruções indicadas em baixo pode resultar em choque elétrico, incêndio e/ou ferimentos graves.

### Guarde todos os avisos e instruções para futuras referências.

O termo "ferramenta elétrica" nos avisos refere-se às ferramentas elétricas ligadas à corrente elétrica (com cabo) ou às ferramentas elétricas operadas por meio de bateria (sem cabo).

### Instruções de segurança importantes para a ferramenta

**⚠️ AVISO:** Leia todos os avisos de segurança e todas as instruções. O não cumprimento de todos os avisos e instruções pode originar choque elétrico, incêndio e/ou ferimentos graves.

### Guarde todos os avisos e instruções para futuras referências.

### Fins a que se destina

1. Esta ferramenta destina-se apenas ao corte de relva, ervas, arbustos e vegetação rasteira. Não deve ser utilizada para quaisquer outros fins, como aparar ou corte de sebes, pois isto pode provocar ferimentos.

### Instruções gerais

1. Nunca permita que pessoas não familiarizadas com estas instruções, pessoas (incluindo crianças) com capacidades físicas, sensoriais ou mentais reduzidas ou falta de experiência ou conhecimentos utilizem a ferramenta. As crianças devem ser supervisionadas para garantir que não brincam com a ferramenta.
2. Antes de efetuar o arranque da ferramenta, leia este manual de instruções para se familiarizar com o manuseamento da ferramenta.
3. Não empreste a ferramenta a uma pessoa com experiência ou conhecimentos insuficientes no que se refere ao manuseamento das roçadeiras e dos aparadores de relva.

4. Quando emprestar a ferramenta, anexe sempre esta manual de instruções.
5. Manuseie a ferramenta com o máximo de cuidado e atenção.
6. Nunca utilize a ferramenta depois de consumir álcool ou drogas ou se se sentir cansado ou doente.
7. Nunca tente modificar a ferramenta.
8. Siga a regulamentação referente ao manuseamento das roçadeiras e dos aparadores de relva vigentes no seu país.

## Equipamento de proteção pessoal

### ► Fig.1

1. Use capacete de proteção, óculos de proteção e luvas de proteção para proteger-se contra detritos arremessados ou queda de objetos.
2. Use proteção auditiva, tais como tampões para os ouvidos para evitar a perda de audição.
3. Use vestuário e calçado adequados para o funcionamento seguro, tais como uniforme de trabalho e calçado resistente antideslizante. Não use vestuário solto nem joias. O vestuário solto, as joias ou o cabelo longo podem ficar presos nas peças em movimento.
4. Use luvas de proteção quando tocar na lâmina de corte. As lâminas de corte podem cortar as mãos gravemente.

## Segurança da área de trabalho

1. Opere a ferramenta apenas em condições de boa visibilidade e durante o dia. Não opere a ferramenta em ambiente escuro ou de nevoeiro.
2. Não opere a ferramenta em atmosferas explosivas, tais como na presença de líquidos, gases ou poeira inflamáveis. A ferramenta cria faíscas que podem inflamar as poeiras ou fumos.
3. Durante a operação, nunca esteja numa superfície instável ou escorregadia, nem uma zona muito inclinada. Durante a época fria, tenha cuidado com o gelo e a neve e garanta sempre uma base segura.
4. Durante a operação, mantenha os espetadores ou animais a, pelo menos, 15 m de distância da ferramenta. Pare a ferramenta assim que alguém se aproximar.
5. Nunca utilize a ferramenta quando estiverem pessoas, especialmente crianças, ou animais nas proximidades.
6. Antes da operação, examine a área de trabalho para ver se há pedras ou outros objetos sólidos. Estes podem ser arremessados ou causar resalto perigoso e resultar em ferimentos graves e/ou danos materiais.
7. **⚠️AVISO:** A utilização deste produto pode criar pó com produtos químicos, o que pode causar doenças respiratórias ou outras doenças. Alguns exemplos destes produtos químicos são os compostos encontrados em pesticidas, inseticidas, fertilizantes e herbicidas. O risco a esta exposição varia, dependendo da frequência com que executa este tipo de trabalho. Para reduzir a sua exposição aos produtos químicos: trabalhe numa área bem ventilada e utilize equipamento de segurança adequado, como uma máscara contra o pó especialmente concebida para filtrar as partículas microscópicas.

## Segurança elétrica e da bateria

1. Não exponha a ferramenta à chuva ou a condições húmidas. A água que entra na ferramenta aumenta o risco de choque elétrico.
2. Não utilize a ferramenta se o interruptor não ligar e desligar a ferramenta. Qualquer ferramenta que não possa ser controlada com o interruptor é perigosa e tem de ser reparada.
3. Previna o arranque não intencional. Assegure que o interruptor está na posição de desligado antes de instalar a bateria, pegar na ferramenta ou transportá-la. Transportar a ferramenta com o dedo no interruptor ou dar energia a uma ferramenta que tenha o interruptor ligado pode dar origem a acidentes.
4. Não elimine a(s) bateria(s) no fogo. A célula pode explodir. Verifique com os códigos locais as possíveis instruções de eliminação especiais.
5. Não abra nem mutile a(s) bateria(s). O eletrólito libertado é corrosivo e pode provocar danos nos olhos ou na pele. Pode ser tóxico se for engolido.
6. Não carregue a bateria sob chuva ou em locais húmidos.

## Colocar em funcionamento

1. Antes de montar ou regular a ferramenta, remova a bateria.
2. Antes de manusear a lâmina de corte, use luvas de proteção.
3. Antes de instalar a bateria, inspecione a ferramenta quanto a danos, parafusos/porcas soltos ou montagem inadequada. Afie a lâmina de corte se estiver cega. Se a lâmina de corte estiver curva ou danificada, substitua-a. Verifique todas as alavancas de controlo e interruptores quanto a um funcionamento fácil. Limpe e seque as pegas.
4. Nunca tente ligar a ferramenta se estiver danificada ou não estiver completamente montada. Caso contrário, pode resultar em ferimentos graves.
5. Ajuste o arnês para o ombro e a pega manual de modo a adequar-se ao tamanho do corpo do operador.
6. Quando inserir a bateria, mantenha o implemento de corte afastado do seu corpo e de outro objeto, incluindo o solo. Este pode rodar quando efetuar o arranque e causar lesões físicas ou danos na ferramenta e/ou propriedade.
7. Remova qualquer chave de ajuste, chave ou cobertura da lâmina antes de ligar a ferramenta. Um acessório deixado preso a uma peça rotativa da ferramenta pode resultar em ferimentos pessoais.
8. A ferramenta de corte tem de estar equipada com o resguardo. Nunca execute a ferramenta com resguardos danificados ou sem ter os resguardos instalados no lugar!
9. Certifique-se de que não há cabos elétricos, tubos de água, tubos de gás, etc., que possam constituir um perigo se danificados pela utilização da ferramenta.



## Operação

1. Caso ocorra uma emergência, desligue imediatamente a ferramenta.
2. Se sentir alguma condição fora do comum (por exemplo, ruído, vibração) durante a operação, desligue a ferramenta e remova a bateria. Não utilize a ferramenta até a causa ser reconhecida e solucionada.
3. O implemento de corte continua a rodar por um período curto depois de desligar a ferramenta. Não tenha pressa em tocar no implemento de corte.
4. Durante a operação, utilize o arnês para o ombro. Mantenha a ferramenta firmemente do seu lado direito.
5. Não se estique demasiado. Mantenha em todos os momentos uma base e equilíbrio adequados. Cuidado com os obstáculos oculotos, como tocos de árvores, raízes e valas para evitar cair.
6. Mantenha-se sempre numa posição segura e firme ao trabalhar em declives.
7. Caminhe, nunca corra.
8. Nunca utilize a ferramenta em cima de uma escada ou árvore para evitar a perda de controlo.
9. Se a ferramenta receber um impacto forte ou cair, verifique o estado da mesma antes de continuar a trabalhar. Verifique se os controlos e os dispositivos de segurança estão a funcionar corretamente. Se detetar danos ou suspeitar da existência destes, solicite a respetiva inspeção e a reparação ao nosso centro de assistência autorizado.
10. Descanse para prevenir a perda de controlo provocada pela fadiga. Recomendamos que descanse 10 a 20 minutos por cada hora de trabalho.
11. Quando deixar a ferramenta, mesmo que seja por um curto espaço de tempo, remova sempre a bateria. A ferramenta sem supervisão com a bateria instalada pode ser utilizada por pessoas não autorizadas e provocar acidentes graves.
12. Se a relva ou ramos ficarem presos entre o implemento de corte e o resguardo, desligue sempre a ferramenta e remova a bateria antes da limpeza. Caso contrário, o implemento de corte pode rodar involuntariamente e causar um ferimento grave.
13. Nunca toque em peças perigosas em movimento antes de estas terem parado completamente e a bateria ser removida.
14. Se o implemento de corte atingir pedras ou outros objetos rijos, desligue imediatamente a ferramenta. Em seguida, remova a bateria e inspecione o implemento de corte.
15. Verifique o implemento de corte com frequência durante a operação para ver se apresenta rachas ou danos. Antes da inspeção, remova a bateria e aguarde até o implemento de corte parar completamente. Substitua o implemento de corte danificado imediatamente, mesmo que tenha apenas rachas superficiais.
16. Nunca corte a uma altura acima da cintura.
17. Antes de iniciar a operação de corte, aguarde até o implemento atingir uma velocidade constante após ligar a ferramenta.
18. Quando utilizar uma lâmina de corte, balance a ferramenta uniformemente num semicírculo da direita para a esquerda à semelhança do uso de uma foice.
19. Segure a ferramenta apenas pelas superfícies de agarrar isoladas, porque a lâmina de corte poderá tocar em fios ocultos. As lâminas de corte que tocam num fio sob tensão poderão colocar sob tensão as peças metálicas expostas da ferramenta e podem provocar um choque elétrico no operador.
20. Não efetue o arranque da ferramenta quando a ferramenta de corte está emaranhada com relva cortada.
21. Antes de efetuar o arranque da ferramenta, certifique-se de que a ferramenta de corte não está a tocar no solo e noutros objetos, tais como uma árvore.
22. Durante a operação, segure sempre a ferramenta com as duas mãos. Nunca agarre na ferramenta só com uma mão durante a utilização.
23. Não utilize a ferramenta em más condições atmosféricas ou quando existe o risco de relâmpagos.

## Ferramentas de corte

1. Não utilize uma ferramenta de corte que não seja recomendada por nós.
2. Utilize um implemento de corte aplicável para o trabalho em mãos.
  - As cabeças de corte de nylon (cabeças de aparador de relva) e as lâminas de plástico são adequadas para aparar relvados.
  - As lâminas de corte são adequadas para cortar ervas, relva alta, matas, arbustos, vegetação rasteira, moitas e outros semelhantes.
  - Nunca utilize outras lâminas incluindo correntes giratórias de múltiplas peças em metal e lâminas de manguais. Poderá resultar em lesão grave.
3. Utilize apenas a ferramenta de corte marcada com uma velocidade igual ou superior à velocidade marcada na ferramenta.
4. Mantenha sempre as suas mãos, rosto e vestuário longe da ferramenta de corte quando estiver a rodar. Se não o fizer poderá causar lesões físicas.
5. Utilize sempre o resguardo do implemento de corte adequado para o implemento de corte utilizado.
6. Quando utilizar lâminas de corte, evite ressaltos e prepare-se sempre para um ressalto accidental. Consulte a secção Ressaltos.
7. Quando não estiver a utilizar a ferramenta, prenda a cobertura da lâmina à lâmina. Remova a tampa antes da utilização.

## Ressaltos (impulso da lâmina)

1. O ressaltos (impulso da lâmina) é uma reação repentina a uma lâmina de corte presa ou torta. Quando ocorrer, a ferramenta é arremessada lateralmente ou na direção do operador com uma força significativa e pode provocar ferimentos graves.
  2. Os ressaltos ocorrem particularmente quando o segmento da lâmina entre as 12 e as 2 horas é aplicado em objetos sólidos, arbustos e árvores com um diâmetro de 3 cm ou superior.
- Fig.2
3. Para evitar ressaltos:
    1. Aplique o segmento entre as 8 e as 11 horas.
    2. Nunca aplique o segmento entre as 12 e as 2 horas.
    3. Nunca aplique o segmento entre as 11 e as 12 horas e entre as 2 e as 5 horas, salvo se o operador estiver bem treinado e possuir experiência e decidir fazê-lo por sua conta e risco.
    4. Nunca utilize as lâminas de corte junto a objetos sólidos, tais como vedações, paredes, troncos de árvores e pedras.
    5. Nunca utilize as lâminas de corte na vertical para operações como aparar e aparar sebes.

► Fig.3

## Vibração

1. As pessoas com má circulação que sejam expostas a vibração excessiva podem experimentar lesões nos vasos sanguíneos ou no sistema nervoso. A vibração pode causar a ocorrência dos seguintes sintomas nos dedos, mãos ou pulsos: "Adormecimento" (dormência), formigamento, dor, sensação aguda, alteração da cor da pele ou alteração da pele. Se ocorrer qualquer um destes sintomas, consulte um médico!
2. Para reduzir o risco de "doença do dedo branco", mantenha as mãos quentes durante o funcionamento, e realize a manutenção adequada da ferramenta e dos acessórios.

## Transporte

1. Desligue a ferramenta e remova a bateria antes de transportar a ferramenta. Acople a tampa na lâmina de corte.
2. Quando transportar a ferramenta, faça-o numa posição horizontal segurando-a pelo eixo.
3. Quando transportar a ferramenta num veículo, fixe-a adequadamente para evitar tombar. Caso contrário, podem resultar danos na ferramenta e noutra bagagem.

## Manutenção

1. Solicite a reparação da sua ferramenta por parte do nosso centro de assistência autorizado utilizando sempre peças de substituição originais. Uma reparação incorreta e uma má manutenção podem reduzir a vida da ferramenta e aumentar o risco de acidentes.

2. Antes de realizar quaisquer trabalhos de manutenção ou reparação ou de limpar a ferramenta, desligue sempre a ferramenta e remova a bateria.
3. Use sempre luvas de proteção quando manusear a lâmina de corte.
4. Limpe sempre a poeira e sujidade da ferramenta. Nunca utilize gasolina, benzina, diluente, álcool ou outro para esse fim. Pode resultar em descoloração, deformação ou rachas dos componentes de plástico.
5. Após cada utilização, aperte todos os parafusos e porcas.
6. Não tente realizar qualquer manutenção ou reparação que não estejam descritas neste manual de instruções. Peça ao nosso centro de assistência autorizado para realizar esse trabalho.
7. Utilize sempre apenas as nossas peças sobressalentes e acessórios genuínos. A utilização de peças ou acessórios fornecidos por terceiros pode resultar na avaria da ferramenta, danos na propriedade e/ou ferimentos graves.
8. Peça ao nosso centro de assistência autorizado para inspecionar e realizar a manutenção da ferramenta em intervalos regulares.
9. Mantenha sempre a ferramenta em boas condições de trabalho. A má manutenção pode resultar num desempenho inferior e diminuir a vida útil da ferramenta.

## Armazenamento

1. Antes de armazenar a ferramenta, realize uma limpeza e manutenção totais. Retire a bateria. Acople a tampa na lâmina de corte.
2. Armazene a ferramenta num local seco e alto ou trancado, longe do alcance das crianças.
3. Não deixe a ferramenta encostada a nada, como uma parede. Caso contrário, pode cair repentinamente e provocar um ferimento.

## Primeiros socorros

1. Tenha sempre um kit de primeiros socorros próximo de si. Substitua imediatamente qualquer item que tenha sido retirado do kit de primeiros socorros.
2. Quando pedir ajuda, indique a seguinte informação:
  - Local do acidente
  - O que aconteceu
  - Número de pessoas feridas
  - Natureza da lesão
  - O seu nome

## Instruções de segurança importantes para a bateria

1. Antes de utilizar a bateria, leia todas as instruções e etiquetas de precaução no (1) carregador de bateria (2) bateria e (3) produto que utiliza a bateria.
2. Não abra a bateria.
3. Se o tempo de funcionamento se tornar excessivamente curto, pare o funcionamento imediatamente. Pode resultar em sobreaquecimento, possíveis queimaduras e mesmo explosão.
4. Se entrar eletrólito nos seus olhos, lave-os com água e consulte imediatamente um médico. Pode resultar em perda de visão.
5. Não coloque a bateria em curto-circuito:
  - (1) Não toque nos terminais com qualquer material condutor.
  - (2) Evite guardar a bateria juntamente com outros objetos metálicos tais como pregos, moedas, etc.
  - (3) Não exponha a bateria à água ou chuva. Um curto-circuito pode ocasionar um enorme fluxo de corrente, sobreaquecimento, possíveis queimaduras e mesmo estragar-se.
6. Não guarde a ferramenta e a bateria em locais onde a temperatura pode atingir ou exceder 50°C.
7. Não queime a bateria mesmo que esteja estragada ou completamente gasta. A bateria pode explodir no fogo.
8. Tenha cuidado para não deixar cair ou dar pancadas na bateria.
9. Não utilize uma bateria danificada.
10. As baterias de íões de lítio contidas na ferramenta são sujeitas aos requisitos da DGL (Dangerous Goods Legislation - Legislação de bens perigosos).  
Para o transporte comercial, por exemplo, por terceiros ou agentes de expedição, têm de ser observados os requisitos referentes à embalagem e etiquetagem.

Para preparação do artigo a ser expedido, é necessário consultar um perito em materiais perigosos. Tenha ainda em conta a possibilidade de existirem regulamentos nacionais mais detalhados.

Coloque fita-cola ou tape os contactos abertos e embale a bateria de tal forma que não possa mover-se dentro da embalagem.

11. Quando eliminar a bateria, remova-a da ferramenta e elimine-a num local seguro. Siga os regulamentos locais relacionados com a eliminação de baterias.
12. Utilize as baterias apenas com os produtos especificados pela Makita. Instalar as baterias em produtos não-conformes poderá resultar num incêndio, calor excessivo, explosão ou fuga de eletrólito.
13. Se a ferramenta não for utilizada durante um período de tempo prolongado, a bateria deve ser removida da ferramenta.

## GUARDE ESTAS INSTRUÇÕES.

**⚠️PRECAUÇÃO:** Utilize apenas baterias genuínas da Makita. A utilização de baterias não genuínas da Makita ou de baterias que foram alteradas, pode resultar no rebentamento da bateria provocando incêndios, ferimentos pessoais e danos. Além disso, anulará da garantia da Makita no que se refere à ferramenta e ao carregador Makita.

## Conselhos para manter a máxima vida útil da bateria

1. Carregue a bateria antes que esteja completamente descarregada. Pare sempre o funcionamento da ferramenta e carregue a bateria quando notar menos poder na ferramenta.
2. Nunca carregue uma bateria completamente carregada. Carregamento excessivo diminui a vida útil da bateria.
3. Carregue a bateria à temperatura ambiente de 10°C – 40°C. Deixe que uma bateria quente arrefeça antes de a carregar.
4. Carregue a bateria se não a utilizar durante um longo período de tempo (mais de seis meses).

## DESCRIÇÃO DAS PEÇAS

► Fig.4

1	Indicador de velocidade	2	Indicador de ADT (ADT = Automatic Torque Drive Technology (Tecnologia de acionamento automático do binário))	3	Luz de precaução	4	Botão de alimentação principal
5	Botão de inversão	6	Bateria	7	Alavanca de desbloqueio	8	Gatilho
9	Anexo	10	Pega	11	Barreira (específico do país)	12	Protetor
13	Alavanca de bloqueio (apenas DUR191U e DUR191L)	14	Cobertura da junta (apenas DUR191U e DUR191L)	15	Tampa (apenas DUR191U e DUR191L)	16	Arnês para o ombro

## DESCRIÇÃO FUNCIONAL

**⚠️ AVISO:** Certifique-se sempre de que a ferramenta está desligada e que a bateria foi removida antes de ajustar ou verificar o funcionamento da ferramenta. Não desligar a ferramenta e não remover a bateria pode resultar em ferimentos pessoais graves devido a arranque acidental.

### Instalação ou remoção da bateria

**⚠️ PRECAUÇÃO:** Desligue sempre a ferramenta antes de colocar ou retirar a bateria.

**⚠️ PRECAUÇÃO:** Segure firmemente a ferramenta e a bateria quando instalar ou remover a bateria. Se não segurar firmemente a ferramenta e a bateria pode fazer com que escorreguem das suas mãos resultando em danos na ferramenta e na bateria e ferimentos pessoais.

► **Fig.5:** 1. Indicador vermelho 2. Botão 3. Bateria

Para retirar a bateria, deslize-a para fora da ferramenta enquanto desliza o botão na frente da bateria.

Para instalar a bateria, alinhe a lingueta da bateria com a ranhura no compartimento e deslize-a no lugar. Empurre-a até o fim para que a mesma encaixe no lugar com um clique. Se puder ver a parte vermelha no lado superior do botão, significa que não está completamente bloqueada.

**⚠️ PRECAUÇÃO:** Instale sempre a bateria até ao fim, até deixar de ver o indicador vermelho.

Caso contrário, a bateria poderá cair da ferramenta acidentalmente e provocar ferimentos em si mesmo ou em alguém próximo.

**⚠️ PRECAUÇÃO:** Não instale a bateria à força. Se a bateria não deslizar facilmente é porque não foi colocada corretamente.

### Sistema de proteção da ferramenta/bateria

A ferramenta está equipada com um sistema de proteção da ferramenta/bateria. Este sistema desliga automaticamente a alimentação do motor para prolongar a vida útil da ferramenta e da bateria. A ferramenta para automaticamente durante o funcionamento se estiver sujeita a uma das seguintes condições:

Luz de precaução			Estado
Cor	● Aceso	⦿ A piscar	
Vermelho	●	⦿	Sobrecarga
Vermelho	●	●	Sobreaquecimento
Vermelho	●	⦿	Sobredescarga

### Proteção contra sobrecarga

Se a ferramenta se deparar com uma das seguintes situações, a ferramenta para automaticamente e a luz de precaução começa a piscar a vermelho:

- A ferramenta está sobrecarregada com ervas enredadas ou outros detritos.
- A ferramenta de corte está bloqueada ou ressalta.
- O botão de alimentação principal acende enquanto o gatilho do interruptor estiver a ser puxado.

Nesta situação, solte o gatilho do interruptor e remova as ervas enredadas ou os detritos, se necessário. Em seguida, puxe novamente o gatilho do interruptor para retomar o funcionamento.

**⚠️ PRECAUÇÃO:** Se necessitar de remover as ervas enredadas na ferramenta ou soltar a ferramenta de corte bloqueada, certifique-se de que desliga a ferramenta antes de iniciar.

### Proteção contra sobreaquecimento da ferramenta ou bateria

Se a ferramenta ou a bateria estiver sobreaquecida, a ferramenta para automaticamente. Quando a ferramenta ou a bateria estiver sobreaquecida, o indicador de velocidade e o indicador de ADT apagam e a luz de precaução acende a vermelho. Deixe a ferramenta e/ou bateria arrefecer antes de voltar a ligar.

### Proteção contra descarga excessiva

Quando a capacidade da bateria fica baixa, a ferramenta para automaticamente. O indicador de velocidade e o indicador de ADT apagam e a luz de precaução começa a piscar a vermelho.

Se a ferramenta não funcionar mesmo quando os interruptores são acionados, retire a bateria da ferramenta e carregue-a.

### Indicação da capacidade restante da bateria

**Apenas para baterias com indicador**

► **Fig.6:** 1. Luzes indicadoras 2. Botão de verificação

Prima o botão de verificação na bateria para indicar a capacidade restante da bateria. As luzes indicadoras acendem durante alguns segundos.

Luzes indicadoras			Capacidade restante
■ Aceso	□ Apagado	▧ A piscar	
■ ■ ■	■ ■ ■	■	75% a 100%
■ ■ ■	■ ■ ■	□	50% a 75%
■ ■ ■	□ □ □	□	25% a 50%
■ ■ ■	□ □ □	□	0% a 25%
▧	□ □ □	□	Carregar a bateria.
■ ■ ■	□ □ □	□	A bateria pode estar avariada.
□ □ □	■ ■ ■	□	

**NOTA:** Dependendo das condições de utilização e da temperatura ambiente, a indicação pode ser ligeiramente diferente da capacidade real.

## Interruptor de alimentação principal

Toque no botão de alimentação principal para ligar a ferramenta.

Para desligar a ferramenta, prima e mantenha premido o botão de alimentação principal até o indicador de velocidade apagar.

► **Fig.7:** 1. Indicador de velocidade 2. Botão de alimentação principal

**NOTA:** A ferramenta desliga automaticamente se não for utilizada por um determinado período.

## Ação do interruptor

**AVISO:** Antes de instalar a bateria na ferramenta, certifique-se sempre de que o gatilho funciona corretamente e volta para a posição “OFF” quando libertado. Utilizar uma ferramenta com um interruptor que não opera devidamente, pode provocar a perda de controlo e resultar em ferimentos pessoais graves.

**PRECAUÇÃO:** Nunca coloque o dedo no interruptor durante o transporte. A ferramenta pode arrancar inadvertidamente e causar ferimentos.

Para evitar que o gatilho seja puxado acidentalmente, existe uma alavanca de desbloqueio.

Para pôr a ferramenta a funcionar, agarre na pega (a alavanca de desbloqueio é libertada quando agarrar na pega) e puxe o gatilho do interruptor. Para parar a ferramenta, liberte o gatilho do interruptor.

### DUR190U e DUR191U

► **Fig.8:** 1. Alavanca de desbloqueio 2. Gatilho

### DUR190L e DUR191L

► **Fig.9:** 1. Alavanca de desbloqueio 2. Gatilho

**NOTA:** A ferramenta é automaticamente desligada depois de deixar a ferramenta durante um determinado período de tempo sem realizar quaisquer operações.

## Ajuste da velocidade

Pode seleccionar a velocidade da ferramenta tocando no botão de alimentação principal. Sempre que tocar no botão de alimentação principal, o nível de velocidade muda.

► **Fig.10:** 1. Indicador de velocidade 2. Botão de alimentação principal 3. Indicador de ADT

Indicador de velocidade	Modo	Velocidade de rotação
	ADT	3.500 - 6.000 min <sup>-1</sup>
	Alto	6.000 min <sup>-1</sup>
	Médio	5.100 min <sup>-1</sup>
	Baixo	3.500 min <sup>-1</sup>

**NOTA:** Quando define a tecnologia de acionamento automático do binário (ADT), o indicador de ADT acende e a ferramenta funciona a uma velocidade de rotação e binário ideais para a condição da relva a cortar.

## Botão de inversão para a remoção de detritos

**AVISO:** Desligue a ferramenta e retire a bateria antes de remover as ervas enredadas ou os detritos que a rotação inversa não conseguir remover. Não desligar a ferramenta e não remover a bateria pode resultar em ferimentos pessoais graves devido a arranque acidental.

Esta ferramenta tem um botão de inversão para mudar a direção de rotação. Serve apenas para remover as ervas e os resíduos enredados na ferramenta.

Para inverter a rotação, toque no botão de inversão e puxe o gatilho do interruptor enquanto pressiona a alavanca de desbloqueio quando a ferramenta de corte estiver parada. Os indicadores de velocidade e o indicador de ADT começam a piscar e a ferramenta de corte roda na direção inversa quando puxa o gatilho do interruptor.

Para voltar à rotação normal, solte o gatilho e aguarde até a ferramenta de corte parar.

► **Fig.11:** 1. Indicador de velocidade 2. Indicador de ADT 3. Botão de inversão

**NOTA:** Durante a rotação de inversão, a ferramenta opera apenas durante um curto período de tempo e, depois, para automaticamente.

**NOTA:** Assim que a ferramenta para, a rotação volta à direção normal assim que voltar a ligar a ferramenta.

**NOTA:** Se tocar no botão de inversão enquanto a ferramenta de corte ainda está a rodar, a ferramenta para e fica pronta para a rotação inversa.

## Travão elétrico

Esta ferramenta está equipada com um travão elétrico. Se a ferramenta consistentemente não parar rapidamente após a libertação do gatilho do interruptor, solicite a reparação da ferramenta no nosso centro de assistência.

**⚠️ PRECAUÇÃO:** Este sistema de travão não substitui o protetor. Nunca utilize a ferramenta sem o protetor. Uma ferramenta de corte sem resguardo pode resultar em ferimentos pessoais graves.

## MONTAGEM

**⚠️ AVISO:** Certifique-se sempre de que a ferramenta está desligada e que a bateria foi removida antes de efetuar quaisquer trabalhos na ferramenta. Não desligar a ferramenta e não remover a bateria pode resultar em ferimentos pessoais graves devido a arranque acidental.

**⚠️ AVISO:** Nunca ponha a ferramenta a funcionar a não ser quando está completamente montada. A operação da ferramenta num estado parcialmente montado pode resultar em ferimentos pessoais graves provocados pelo arranque acidental.

## Instalar a pega

*Apenas para DUR190U e DUR191U*

1. Insira o eixo da pega no punho. Alinhe o orifício do parafuso no punho com o orifício no eixo. Aperte o parafuso firmemente.

► **Fig.12:** 1. Punho 2. Parafuso 3. Pega

2. Coloque a pega entre a braçadeira da pega e o suporte da pega. Ajuste a pega num ângulo que proporcione uma posição de trabalho confortável e, de seguida, fixe-a com pernos de cabeça sextavada.

► **Fig.13:** 1. Perno de cabeça sextavada  
2. Braçadeira da pega 3. Suporte da pega

## Prender a barreira

*Para DUR190L e DUR191L*

Se a barreira estiver incluída no seu modelo, aperte-a à pega utilizando o parafuso na barreira.

► **Fig.14:** 1. Barreira 2. Parafuso

**⚠️ PRECAUÇÃO:** Depois de montar a barreira, não a retire. A barreira funciona como uma peça de segurança para evitar que entre acidentalmente em contacto com a lâmina de corte.

## Montar o tubo de fixação

*Apenas para DUR191U e DUR191L*

Montar o tubo de fixação na unidade de alimentação.

1. Rode a alavanca no sentido da seta indicado na figura.

► **Fig.15:** 1. Alavanca

2. Puxe a cobertura da junta para cima e insira o tubo de fixação, alinhando ao mesmo tempo a saliência no tubo (lado da ferramenta de corte) com a parte côncava da peça da junta.

► **Fig.16:** 1. Alavanca de bloqueio 2. Cobertura da junta 3. Tubo

Certifique-se de que a superfície da alavanca de bloqueio está paralela ao tubo.

3. Rode a alavanca no sentido da seta indicado na figura.

► **Fig.17:** 1. Alavanca

Para remover o tubo, rode a alavanca na direção da seta indicada na figura e puxe o tubo para fora, pressionando ao mesmo tempo a alavanca de bloqueio para baixo.

► **Fig.18:** 1. Alavanca 2. Alavanca de bloqueio  
3. Tubo

## Instalar o protetor

**⚠️ AVISO:** Nunca utilize a ferramenta sem o resguardo ilustrado instalado no lugar. O não cumprimento deste passo pode provocar ferimentos pessoais graves.

**⚠️ PRECAUÇÃO:** Tenha cuidado para não se magoar no dispositivo de corte quando cortar o fio.

Prenda o protetor à braçadeira com pernos.

► **Fig.19:** 1. Braçadeira 2. Protetor 3. Cortador

## Instalar a ferramenta de corte

**NOTA:** O tipo de ferramenta(s) de corte fornecido(s) como acessórios padrão varia em função do país. A ferramenta de corte não é incluída em alguns países.

**NOTA:** Vire a ferramenta ao contrário para poder substituir facilmente a ferramenta de corte.

## Lâmina de corte

**⚠️ PRECAUÇÃO:** Quando manusear a lâmina de corte, use sempre luvas e coloque a cobertura da lâmina na lâmina.

**⚠️ PRECAUÇÃO:** A lâmina de corte tem de ser bem polida, livre de fissuras ou quebra. Se a lâmina de corte bater contra uma pedra durante a operação, pare a ferramenta e inspecione a lâmina de corte imediatamente.

**⚠️ PRECAUÇÃO:** Utilize sempre a lâmina de corte com o diâmetro descrito na secção de especificações.

► **Fig.20:** 1. Porca 2. Copo 3. Anilha de aperto  
4. Lâmina de corte 5. Eixo 6. Proteção  
7. Botão de bloqueio do eixo

1. Monte a lâmina de corte na proteção de modo que as setas na lâmina de corte e no protetor apontem na mesma direção.

► **Fig.21:** 1. Seta

2. Coloque a anilha de aperto e o copo na lâmina de corte.

3. Enquanto pressiona o botão de bloqueio do eixo para baixo, aperte a porca firmemente com a chave de caixa.

► **Fig.22:** 1. Botão de bloqueio do eixo 2. Chave de caixa 3. Soltar 4. Apertar

Para remover a lâmina de corte, solte a porca enquanto pressiona o botão de bloqueio do eixo para baixo.

## Cabeça de corte de nylon

**OBSERVAÇÃO:** Certifique-se de que utiliza cabeças de corte de nylon genuínas da Makita.

Enquanto pressiona o botão de bloqueio do eixo para baixo, coloque a cabeça de corte de nylon no eixo e aperte-a firmemente com a mão.

- **Fig.23:** 1. Cabeça de corte de nylon 2. Eixo  
3. Botão de bloqueio do eixo 4. Soltar  
5. Apertar

Para remover a cabeça de corte de nylon, solte a cabeça de corte de nylon enquanto pressiona o botão de bloqueio do eixo para baixo.

## Lâmina de plástico

**OBSERVAÇÃO:** Certifique-se de que utiliza lâminas de plástico originais da Makita.

Enquanto pressiona o botão de bloqueio do eixo para baixo, coloque a lâmina de plástico no eixo e aperte-a firmemente com a mão.

- **Fig.24:** 1. Lâmina de plástico 2. Eixo 3. Botão de bloqueio do eixo 4. Soltar 5. Apertar

Para remover a lâmina de plástico, solte a lâmina de plástico enquanto pressiona o botão de bloqueio do eixo para baixo.

**NOTA:** Pode utilizar a chave hexagonal fornecida para instalar/remover a ferramenta de corte. Insira a chave hexagonal no orifício conforme apresentado na figura para bloquear o eixo.

- **Fig.25:** 1. Chave hexagonal 2. Orifício

**⚠PRECAUÇÃO:** Utilize sempre as chaves fornecidas para instalar/remover a ferramenta de corte.

**⚠PRECAUÇÃO:** Certifique-se de que remove a chave hexagonal inserida na cabeça da ferramenta após instalar a ferramenta de corte.

## Ajustar a posição da pega/anexo

Ajuste a posição da pega e do anexo para obter um manuseamento confortável da ferramenta.

### Para DUR190U e DUR191U

Ajuste a posição da pega/do anexo de modo que a ferramenta fique dentro do intervalo conforme a seguir apresentado.

- **Fig.26**

1	A posição do anexo a partir do solo
2	A posição da ferramenta de corte a partir do solo
3	A distância horizontal entre o anexo e a parte sem resguardo da ferramenta de corte

Solte os pernos de cabeça sextavada na parte inferior do suporte da pega. Mova a pega para uma posição de trabalho confortável e, de seguida, aperte os pernos.

- **Fig.27:** 1. Suporte da pega 2. Perno de cabeça sextavada 3. Pega

Solte os pernos de cabeça sextavada no anexo. Mova o anexo para uma posição de trabalho confortável e, de seguida, aperte os pernos.

- **Fig.28:** 1. Perno de cabeça sextavada 2. Anexo

### Para DUR190L e DUR191L

Solte os pernos de cabeça sextavada na pega. Mova a pega para uma posição de trabalho confortável e, de seguida, aperte os pernos.

- **Fig.29:** 1. Perno de cabeça sextavada 2. Pega

Solte o perno de cabeça sextavada no anexo. Mova o anexo para uma posição de trabalho confortável e, de seguida, aperte o perno.

- **Fig.30:** 1. Perno de cabeça sextavada 2. Anexo

## Armazenamento da chave hexagonal

Quando não estiver a ser utilizada, guarde a chave hexagonal conforme indicado na figura para evitar perdê-la.

- **Fig.31:** 1. Chave hexagonal

### Apenas para DUR190L e DUR191L

- **Fig.32:** 1. Pega 2. Chave hexagonal

## OPERAÇÃO

### Prender o arnês para o ombro

**⚠PRECAUÇÃO:** Utilize sempre o arnês para o ombro preso à ferramenta. Antes da operação, ajuste o arnês para o ombro de acordo com o tamanho do utilizador para impedir a fadiga.

**⚠PRECAUÇÃO:** Antes do funcionamento, certifique-se de que o arnês para o ombro está devidamente preso ao anexo na ferramenta.

Ligue o gancho do arnês para o ombro ao anexo e coloque o arnês para o ombro. Certifique-se de que a ferramenta está firmemente segura pelo arnês para o ombro.

### DUR190U e DUR191U

- **Fig.33:** 1. Gancho 2. Anexo

### DUR190L e DUR191L

- **Fig.34:** 1. Gancho 2. Anexo

## Desprendimento

O arnês para o ombro dispõe de um meio de libertação rápida.

### DUR190U e DUR191U

- **Fig.35:** 1. Tira

Puxe a tira para soltar a ferramenta do arnês para o ombro.

### DUR190L e DUR191L

- **Fig.36:** 1. Fivela

Basta apertar as laterais da fivela para soltar a ferramenta do arnês para o ombro.



## Manuseamento correto da ferramenta

**⚠️ AVISO:** Posicione sempre a ferramenta no seu lado direito. O posicionamento correto da ferramenta permite o controlo máximo e reduz o risco de ferimentos pessoais graves provocados pelos ressaltos.

**⚠️ AVISO:** Tenha extremo cuidado para manter o controlo da ferramenta em todos os momentos. Não permita que a ferramenta se desvie na sua direção ou na de outras pessoas nas proximidades do trabalho. Se não conseguir manter o controlo da ferramenta, pode provocar ferimentos graves nos espetadores e no operador.

**⚠️ AVISO:** Para evitar acidentes, deixe uma distância superior a 15 m entre os operadores quando dois ou mais operadores trabalharem numa área. Além disso, disponha de uma pessoa para observar a distância entre os operadores. Se uma pessoa ou um animal entrar na área de trabalho, pare imediatamente a operação.

**⚠️ PRECAUÇÃO:** Se a ferramenta de corte bater acidentalmente contra uma rocha ou outro objeto rijo durante a operação, pare a ferramenta e inspecione-a para ver se apresenta danos. Se a ferramenta de corte estiver danificada, substitua-a imediatamente. A utilização de uma ferramenta de corte danificada pode resultar em ferimentos pessoais graves.

**⚠️ PRECAUÇÃO:** Remova a cobertura da lâmina da lâmina de corte quando cortar a relva.

O posicionamento e o manuseamento corretos da ferramenta permitem o controlo ideal e reduzem o risco de ferimentos provocados pelos ressaltos.

### DUR190U e DUR191U

► Fig.37

### DUR190L e DUR191L

► Fig.38

### Quando utilizar uma cabeça de corte de nylon (tipo de batente e alimentação)

A cabeça de corte de nylon é uma cabeça de aparar com corda dupla fornecida com um mecanismo de batente e alimentação.

Para o fio de nylon sair do alimentador, toque com a cabeça de corte na terra durante a rotação.

► Fig.39: 1. Área de corte mais eficaz

**OBSERVAÇÃO:** O alimentador de batente não funciona adequadamente se a cabeça de corte de nylon não estiver a rodar.

**NOTA:** Se o fio de nylon não sair enquanto toca com a cabeça, rebobine/substitua o fio de nylon seguindo os procedimentos descritos na secção referente a manutenção.

## MANUTENÇÃO

**⚠️ AVISO:** Certifique-se sempre de que a ferramenta está desligada e que a bateria foi removida antes de tentar efetuar uma inspeção ou manutenção na ferramenta. Não desligar a ferramenta e não remover a bateria pode resultar em ferimentos pessoais graves devido a arranque acidental.

**OBSERVAÇÃO:** Nunca utilize gasolina, benzina, diluente, álcool ou produtos semelhantes. Pode ocorrer a descoloração, deformação ou rachaduras.

Para manter a SEGURANÇA e a FIABILIDADE do produto, as reparações e qualquer outra manutenção ou ajuste devem ser levados a cabo pelos centros de assistência Makita autorizados ou pelos centros de assistência de fábrica, utilizando sempre peças de substituição Makita.

## Substituição do fio de nylon

**⚠️ AVISO:** Utilize apenas fio de nylon com o diâmetro especificado neste manual de instruções. Nunca utilize uma linha mais pesada, fio metálico, corda ou outro semelhante. O não cumprimento desta recomendação pode causar danos na ferramenta e resultar em ferimentos pessoais graves.

**⚠️ AVISO:** Retire sempre a cabeça de corte de nylon da ferramenta quando substituir o fio de nylon.

**⚠️ AVISO:** Certifique-se de que a tampa da cabeça de corte de nylon está corretamente fixada na caixa conforme descrito neste manual de instruções. Se não fixar adequadamente a tampa, a cabeça de corte de nylon pode desfazer-se e ser arremessada para longe provocando ferimentos pessoais graves.

Substitua o fio de nylon se o fio deixar de alimentar. O método de substituição do fio de nylon varia em função do tipo de cabeça de corte de nylon.

### 95-M10L

► Fig.40

## Substituir a lâmina de plástico

Substitua a lâmina de plástico se estiver gasta ou partida.

► Fig.41

Quando instalar a lâmina de plástico, alinhe o sentido da seta na lâmina com o sentido da seta do protetor.

► Fig.42: 1. Seta no protetor 2. Seta na lâmina



# RESOLUÇÃO DE PROBLEMAS

Antes de pedir uma reparação, realize primeiro a sua própria inspeção. Se encontrar um problema que não esteja explicado no manual, não tente desmontar a ferramenta. Em vez disso, peça as reparações nos centros de assistência técnica autorizados da Makita, usando sempre peças de substituição da Makita.

Estado da anomalia	Causa provável (avaria)	Correção
O motor não funciona.	A bateria não está instalada.	Instale a bateria.
	Problema com a bateria (baixa tensão)	Recarregue a bateria. Se o carregamento não for eficaz, substitua a bateria.
	O sistema de acionamento não funciona corretamente.	Peça a reparação no centro de assistência autorizado local.
O motor para de funcionar após pouco uso.	O nível de carga da bateria está baixo.	Recarregue a bateria. Se o carregamento não for eficaz, substitua a bateria.
	Sobreaquecimento.	Pare a utilização da ferramenta para que ela possa arrefecer.
Não atinge o máximo das RPM.	A bateria está mal instalada.	Instale a bateria como descrito neste manual.
	A potência da bateria está a baixar.	Recarregue a bateria. Se o carregamento não for eficaz, substitua a bateria.
	O sistema de acionamento não funciona corretamente.	Peça a reparação no centro de assistência autorizado local.
A ferramenta de corte não roda: ⇒ pare a máquina imediatamente!	Há um objeto estranho, como um ramo, encravado entre o resguardo e a ferramenta de corte.	Retire o objeto estranho.
	O sistema de acionamento não funciona corretamente.	Peça a reparação no centro de assistência autorizado local.
Vibração anormal: ⇒ pare a máquina imediatamente!	Uma das extremidades do fio de nylon partiu-se.	Toque com a cabeça de corte de nylon contra o chão enquanto está a rodar para fazer o fio sair.
	O sistema de acionamento não funciona corretamente.	Peça a reparação no centro de assistência autorizado local.
A ferramenta de corte e o motor não param: ⇒ retire imediatamente a bateria!	Falha de funcionamento elétrica ou eletrónica.	Retire a bateria e peça a reparação no centro de assistência autorizado local.

## ACESSÓRIOS OPCIONAIS

**⚠️ AVISO:** Utilize apenas os acessórios ou complementos recomendados indicados neste manual. A utilização de qualquer outro acessório ou complemento pode resultar em ferimentos pessoais graves.

**⚠️ PRECAUÇÃO:** Estes acessórios ou peças são recomendados para utilização com a ferramenta Makita especificada neste manual. A utilização de outros acessórios ou peças pode ser perigosa para as pessoas. Utilize apenas acessórios ou peças para os fins indicados.

Se necessitar de informações adicionais relativas a estes acessórios, solicite-as ao seu centro de assistência Makita.

- Lâmina de corte
- Cabeça de corte de nylon
- Fio de nylon (linha de corte)
- Lâmina de plástico
- Bateria e carregador genuínos da Makita

**NOTA:** Alguns itens da lista podem estar incluídos na embalagem da ferramenta como acessórios padrão. Eles podem variar de país para país.

## SPECIFIKATIONER

Model:	DUR190U	DUR190L	DUR191U	DUR191L
Type af håndtag	Cykelhåndtag	Løkehåndtag	Cykelhåndtag	Løkehåndtag
Hastighed uden belastning	3: 6.000 min <sup>-1</sup> 2: 5.100 min <sup>-1</sup> 1: 3.500 min <sup>-1</sup>			
Samlet længde (uden skæreværktøj)	1.775 mm			
Diameter af nylontråd	2,0 - 2,4 mm			
Relevant skæreværktøj og skærediameter	3-tandsklinge (P/N 191J34-5)	230 mm		
	4-tandsklinge (P/N 729025-2)	230 mm		
	Nylonskærehoved (P/N 126674-0)	300 mm		
	Plastikklinge (P/N 126642-3)	230 mm		
Mærkespænding	D.C. 18 V			
Vægt	3,1 - 3,4 kg	2,9 - 3,2 kg	3,4 - 3,7 kg	3,2 - 3,5 kg

- På grund af vores kontinuerlige forsknings- og udviklingsprogrammer kan hosstående specifikationer blive ændret uden varsel.
- Specifikationer kan variere fra land til land.
- Vægten kan være anderledes afhængigt af tilbehøret, inklusive akkuen. Den letteste og tungeste kombination i henhold til EPTA-procedure 01/2014 er vist i tabellen.

## Anvendelig akku og oplader

Akku	BL1815N / BL1820 / BL1820B / BL1830 / BL1830B / BL1840 / BL1840B / BL1850 / BL1850B / BL1860B
Oplader	DC18RC / DC18RD / DC18RE / DC18SD / DC18SE / DC18SF / DC18SH

- Nogle af de akkuer og opladere, der er angivet ovenfor, er muligvis ikke tilgængelige, afhængigt af hvilket område du bor i.

**⚠ ADVARSEL:** Brug kun de akkuer og opladere, der er angivet ovenfor. Brug af andre akkuer og opladere kan medføre personskade og/eller brand.

## Anbefalet batteriadapter

Akku-adapter	PDC01
--------------	-------

- Batteriadapteren/batteriadapterne, der er angivet ovenfor, er muligvis ikke tilgængelige, afhængigt af hvilket område du bor i.
- Læs instruktion og advarselmærkater på batteriadapteren inden du anvender batteriadapteren.

## Model DUR190U

Skæreværktøj	Lydtryksniveau ( $L_{pA}$ ) dB(A)		Lydeffektniveau ( $L_{WA}$ ) dB(A)		Gældende standard
	$L_{pA}$ dB(A)	Usikkerhed (K) dB(A)	$L_{WA}$ dB(A)	Usikkerhed (K) dB(A)	
4-tandsklinge	77,0	3,9	91,6	2,4	ISO22868 (ISO11806-1)
Nylonskærehoved	74,0	1,9	87,1	0,9	ISO22868 (ISO11806-1)/ EN50636-2-91
Plastikklinge	75,6	1,3	85,9	2,1	ISO22868 (ISO11806-1)/ EN50636-2-91

## Model DUR190L

Skæreværktøj	Lydtryksniveau ( $L_{pA}$ ) dB(A)		Lydeffektniveau ( $L_{WA}$ ) dB(A)		Gældende standard
	$L_{pA}$ dB(A)	Usikkerhed (K) dB(A)	$L_{WA}$ dB(A)	Usikkerhed (K) dB(A)	
4-tandsklinge	77,0	3,9	91,6	2,4	ISO22868 (ISO11806-1)
Nylonskærehoved	74,0	1,9	87,1	0,9	ISO22868 (ISO11806-1)/ EN50636-2-91
Plastikklinge	75,6	1,3	85,9	2,1	ISO22868 (ISO11806-1)/ EN50636-2-91

## Model DUR191U

Skæreværktøj	Lydtryksniveau ( $L_{pA}$ ) dB(A)		Lydeffektniveau ( $L_{WA}$ ) dB(A)		Gældende standard
	$L_{pA}$ dB(A)	Usikkerhed (K) dB(A)	$L_{WA}$ dB(A)	Usikkerhed (K) dB(A)	
4-tandsklinge	77,0	3,9	91,6	2,4	ISO22868 (ISO11806-1)
Nylonskærehoved	74,0	1,9	87,1	0,9	ISO22868 (ISO11806-1)/ EN50636-2-91
Plastikklinge	75,6	1,3	85,9	2,1	ISO22868 (ISO11806-1)/ EN50636-2-91

## Model DUR191L

Skæreværktøj	Lydtryksniveau ( $L_{pA}$ ) dB(A)		Lydeffektniveau ( $L_{WA}$ ) dB(A)		Gældende standard
	$L_{pA}$ dB(A)	Usikkerhed (K) dB(A)	$L_{WA}$ dB(A)	Usikkerhed (K) dB(A)	
4-tandsklinge	77,0	3,9	91,6	2,4	ISO22868 (ISO11806-1)
Nylonskærehoved	74,0	1,9	87,1	0,9	ISO22868 (ISO11806-1)/ EN50636-2-91
Plastikklinge	75,6	1,3	85,9	2,1	ISO22868 (ISO11806-1)/ EN50636-2-91

- Selv om det lydtryksniveau, der er angivet ovenfor, er 80 dB (A) eller derunder, kan niveauet under arbejdet overskride 80 dB (A). Bær høreværn.

**BEMÆRK:** De(n) angivne støjemissionsværdi(er) er målt i overensstemmelse med en standardtestmetode og kan anvendes til at sammenligne en maskine med en anden.

**BEMÆRK:** De(n) angivne støjemissionsværdi(er) kan også anvendes i en præliminær eksponeringsvurdering.

**⚠ ADVARSEL:** Bær høreværn.

**⚠ ADVARSEL:** Støjemissionen under den faktiske anvendelse af maskinen kan være forskellig fra de(n) angivne værdi(er), afhængigt af den måde hvorpå maskinen anvendes, især den type arbejdsemne der behandles.

**⚠ ADVARSEL:** Sørg for at identificere de sikkerhedsforskrifter til beskyttelse af operatøren, som er baseret på en vurdering af eksponering under de faktiske brugsforhold (med hensyntagen til alle dele i brugscykklussen, f.eks. de gange, hvor maskinen er slukket, og når den kører i tomgang i tilgift til afbrydertiden).

## Vibration

### Model DUR190U

Skæreværktøj	Venstre hånd		Højre hånd		Gældende standard
	$a_{h,w}$ (m/s <sup>2</sup> )	Usikkerhed K (m/s <sup>2</sup> )	$a_{h,w}$ (m/s <sup>2</sup> )	Usikkerhed K (m/s <sup>2</sup> )	
4-tandsklinge	≤ 2,5	1,5	≤ 2,5	1,5	ISO22867 (ISO11806-1)
Nylonskærehoved	≤ 2,5	1,5	≤ 2,5	1,5	ISO22867 (ISO11806-1)
Plastikklinge	≤ 2,5	1,5	≤ 2,5	1,5	ISO22867 (ISO11806-1)

### Model DUR190L

Skæreværktøj	Venstre hånd		Højre hånd		Gældende standard
	$a_{h,w}$ (m/s <sup>2</sup> )	Usikkerhed K (m/s <sup>2</sup> )	$a_{h,w}$ (m/s <sup>2</sup> )	Usikkerhed K (m/s <sup>2</sup> )	
4-tandsklinge	≤ 2,5	1,5	≤ 2,5	1,5	ISO22867 (ISO11806-1)
Nylonskærehoved	≤ 2,5	1,5	≤ 2,5	1,5	ISO22867 (ISO11806-1)
Plastikklinge	≤ 2,5	1,5	≤ 2,5	1,5	ISO22867 (ISO11806-1)

### Model DUR191U

Skæreværktøj	Venstre hånd		Højre hånd		Gældende standard
	$a_{h,w}$ (m/s <sup>2</sup> )	Usikkerhed K (m/s <sup>2</sup> )	$a_{h,w}$ (m/s <sup>2</sup> )	Usikkerhed K (m/s <sup>2</sup> )	
4-tandsklinge	≤ 2,5	1,5	≤ 2,5	1,5	ISO22867 (ISO11806-1)
Nylonskærehoved	≤ 2,5	1,5	≤ 2,5	1,5	ISO22867 (ISO11806-1)
Plastikklinge	≤ 2,5	1,5	≤ 2,5	1,5	ISO22867 (ISO11806-1)

### Model DUR191L

Skæreværktøj	Venstre hånd		Højre hånd		Gældende standard
	$a_{h,w}$ (m/s <sup>2</sup> )	Usikkerhed K (m/s <sup>2</sup> )	$a_{h,w}$ (m/s <sup>2</sup> )	Usikkerhed K (m/s <sup>2</sup> )	
4-tandsklinge	≤ 2,5	1,5	≤ 2,5	1,5	ISO22867 (ISO11806-1)
Nylonskærehoved	≤ 2,5	1,5	≤ 2,5	1,5	ISO22867 (ISO11806-1)
Plastikklinge	≤ 2,5	1,5	≤ 2,5	1,5	ISO22867 (ISO11806-1)

**BEMÆRK:** De(n) angivne totalværdi(er) for vibration er målt i overensstemmelse med en standardtestmetode og kan anvendes til at sammenligne en maskine med en anden.

**BEMÆRK:** De(n) angivne totalværdi(er) for vibration kan også anvendes i en præliminær eksponeringsvurdering.

**⚠ ADVARSEL:** Vibrationsemissionen under den faktiske anvendelse af maskinen kan være forskellig fra de(n) angivne værdi(er), afhængigt af den måde hvorpå maskinen anvendes, især den type arbejdsemne der behandles.

**⚠ ADVARSEL:** Sørg for at identificere de sikkerhedsforskrifter til beskyttelse af operatøren, som er baseret på en vurdering af eksponering under de faktiske brugsforhold (med hensyntagen til alle dele i brugsklassen, f.eks. de gange, hvor maskinen er slukket, og når den kører i tomgang i tilgift til afbrydertiden).

## Symboler

Følgende viser de symboler, der anvendes til udstyret. Vær sikker på, at De forstår betydningen af symbolerne før brugen.

	Udvis særlig forsigtighed og opmærksomhed.
	Læs betjeningsvejledningen.
	Hold en afstand på mindst 15 m.
	Fare; pas på kastede genstande.
	Forsigtig; tilbageslag
	Brug hjelm, beskyttelsesbriller og høreværn.
	Brug arbejdshandsker.
	Bær solide støvler med skridsikre såler. Sikkerhedsstøvler med stålspidis anbefales.
	Må ikke udsættes for fugt.
	Ni-MH Li-ion Kun for landene i EU Bortskaf ikke elektrisk udstyr eller batteripakken sammen med husholdningsaffald! I overensstemmelse med det europæiske direktiv om bortskaffelse af affald fra elektriske og elektroniske produkter samt batterier og akkuer, samt bortskaffelse af batterier og akkuer, og deres anvendelse i overensstemmelse med nationale love skal elektrisk udstyr samt batterier og batteripakke(r), der har nået udløbet af deres levetid, indsamles separat og returneres til en miljøvenlig genanvendelsesfacilitet.

## EF-overensstemmelseserklæring

### Kun for lande i Europa

EF-overensstemmelseserklæringen er inkluderet som Bilag A i denne brugsanvisning.

## SIKKERHEDSADVARSLER

### Almindelige sikkerhedsregler for el-værktøj

**⚠ ADVARSEL:** Læs alle de sikkerhedsadvarsler, instruktioner, illustrationer og specifikationer, der følger med denne maskine. Forsømmelse af at overholde alle nedenstående instruktioner kan medføre elektrisk stød, brand og/eller alvorlig personskade.

## Gem alle advarsler og instruktioner til fremtidig reference.

Ordet "el-værktøj" i advarslerne henviser til det netforsynede (netledning) el-værktøj eller batteriforsynede (akku) el-værktøj.

## Vigtige sikkerhedsinstruktioner for maskinen

**⚠ ADVARSEL:** Læs alle sikkerhedsadvarsler og alle instruktioner. Hvis advarslerne og instruktionerne ikke overholdes, kan det medføre elektrisk stød, brand og/eller alvorlig personskade.

## Gem alle advarsler og instruktioner til fremtidig reference.

### Tilsigtet brug

1. Denne maskine er kun beregnet til at klippe græs, ukrudt, buske og underskov. Den må ikke anvendes til noget andet formål, såsom kantning eller hækklipning, da dette kan forårsage personskade.

### Generelle instruktioner

1. Denne maskine er ikke beregnet til brug af personer, der ikke er bekendt med disse instruktioner, personer (herunder børn) med nedsatte fysiske, sensoriske eller mentale evner eller manglende erfaring og viden. Børn skal overvåges for at sikre, at de ikke leger med maskinen.
2. Læs denne brugsanvisning, før du starter maskinen for at blive fortrolig med håndteringen af maskinen.
3. Udlån ikke maskinen til en person med utilstrækkelig erfaring eller viden om håndtering af buskryddere og trædrimmere.
4. Ved udlån af maskinen skal du altid vedlægge denne brugsanvisning.
5. Håndter maskinen med den største forsigtighed og opmærksomhed.
6. Brug aldrig maskinen, når du har indtaget alkohol eller narkotika, eller hvis du føler dig træt eller syg.
7. Forsøg aldrig at ændre maskinen.
8. Overhold lovgivningen vedrørende håndtering af buskryddere og trædrimmere i dit land.

### Personligt beskyttelsesudstyr

► Fig.1

1. Bær sikkerhedshjelm, beskyttelsesbriller og beskyttelsehandsker som beskyttelse mod flyvende partikler eller faldende genstande.
2. Bær høreværn som f.eks. høreværn for at forhindre høretab.

3. **Bær egnet tøj og sko til sikker drift, såsom en arbejdsoverall og solide, skridsikre sko. Undlad at bære løstsiddende tøj eller smykker.** Løstsiddende tøj, smykker eller langt hår kan blive fanget i de bevægelige dele.
4. **Bær beskyttelseshandsker, før du berører den skærende klinger.** Skærende klinger kan skære bare hænder alvorligt.

## Sikkerhed i arbejdsområdet

1. **Brug kun maskinen i god sigtbarhed og dagslys. Brug ikke maskinen i mørke eller tåge.**
2. **Brug aldrig maskinen i eksplosive atmosfærer, såsom ved tilstedeværelse af brændbare væsker, gasser eller støv.** Maskinen frembringer gnister, der kan antænde støvet eller dampene.
3. **Under brug må du aldrig stå på en ustabil eller glat overflade eller en stejl skråning. I den kolde årstid skal du være opmærksom på is og sne og altid sørge for sikker fodfæste.**
4. **Hold tilskuere og dyr mindst 15 m væk fra maskinen under brugen. Stop maskinen, så snart nogen nærmer sig.**
5. **Betjen aldrig maskinen, mens der er personer, især børn, eller kæledyr i nærheden.**
6. **Før brugen skal du kontrollere arbejdsområdet for sten eller andre hårde genstande.** De kan blive kastet eller forårsage farlige tilbageslag og resultere i alvorlig personskade og/eller materielle skader.
7. **⚠ADVARSEL:** Brug af dette produkt kan skabe støv indeholdende kemikalier, der kan forårsage åndedrætsbesvær eller andre sygdomme. Nogle eksempler på disse kemikalier er stoffer i pesticider, insekticider, gødnings- og ukrudtsmidler. Risikoen i forbindelse med eksponeringen for disse kemikalier varierer, afhængigt af hvor ofte du udfører denne type arbejde. For at reducere eksponeringen for disse kemikalier bør du: arbejde i et godt ventileret område og anvende godkendt sikkerhedsudstyr, såsom støvmasker, der er specielt konstrueret til at bortfiltrere mikroskopiske partikler.

## Elektrisk sikkerhed og batterisikkerhed

1. **Udsæt ikke maskinen for regn eller våde forhold.** Hvis der kommer vand ind i maskinen, forøger det risikoen for elektrisk stød.
2. **Brug ikke maskinen, hvis kontakten ikke tænder og slukker.** Enhver maskine, der ikke kan kontrolleres med kontakten, er farlig og skal til reparation.
3. **Forebyg utilsigtet start. Sørg for, at kontakten er slået fra, før du monterer en akku, løfter eller bærer maskinen.** Hvis du bærer maskinen med fingeren på kontakten, eller hvis du sætter strøm til maskinen, mens kontakten er slået til, kan det medføre uheld.
4. **Undlad at kaste batterierne i åben ild.** Cellen kan eksplodere. Tjek de lokale regler for eventuelle særlige instruktioner vedrørende bortskaffelse.
5. **Undlad at åbne eller mishandle batterierne.** Lækket elektrolyt er ætsende og kan medføre skader på øjnene eller huden. Den kan være giftig, hvis den indtages.
6. **Undlad at oplade batteriet i regnvej eller under våde forhold.**

## Ibrugtagning

1. **Før samling eller justering af maskinen, skal du fjerne akkuen.**
2. **Bær beskyttelseshandsker, før du håndterer den skærende klinger.**
3. **Før du samler akkuen, skal du kontrollere maskinen for beskadigelse, løse skruer/møtrikker eller forkeret samling. Skærp den sløve skærende klinger. Hvis den skærende klinger er bøjet eller beskadiget, skal den udskiftes. Kontroller, at alle kontrolhåndtag og kontakter nemt kan betjenes. Rengør og aftør håndtagene.**
4. **Forsøg aldrig at tænde maskinen, hvis den er beskadiget eller ikke er helt samlet.** Ellers kan det medføre alvorlig personskade.
5. **Juster skuldarselen og håndgrebet, så de passer til operatørens kroppsstørrelse.**
6. **Når du indsætter en akku, skal du holde skæretilbehøret fri af din krop og andre genstande, herunder jorden.** Det kan rotere ved start og kan forårsage personskade eller beskadigelse af maskinen og/eller ejendomme.
7. **Fjern eventuelle justeringsnøgler, skruenøgler eller klingedæksel, inden du tænder for maskinen.** Et tilbehør, der er fastgjort til en roterende del af maskinen, kan medføre personskade.
8. **Skæreværktøjet skal være udstyret med beskyttelsesskærmen. Lad aldrig maskinen køre med beskadigede beskyttelsesskærme eller uden beskyttelsesskærmene på plads!**
9. **Sørg for, at der ikke er nogen elledninger, vandrør, gasrør osv., der kan udgøre en fare, hvis de beskadiges ved brug af maskinen.**

## Drift

1. **Sluk for maskinen med det samme i en nødsituation.**
2. **Hvis du oplever nogle unormale forhold (f.eks. støj, vibrationer) under driften, skal du slukke for maskinen og fjerne akkuen. Brug ikke maskinen, før årsagen er identificeret og afhjulpet.**
3. **Skæretilbehøret fortsætter med at rotere i en kort periode efter at maskinen er slukket. Berør ikke skæretilbehøret for hurtigt.**
4. **Brug skuldarselen under anvendelse. Hold maskinen fast på din højre side.**
5. **Stræk dig ikke for langt. Opbehold til enhver tid korrekt fodfæste og balance. Se efter skjulte forhindringer som f.eks. træstubbe, rødder og grøfter for at undgå at snuble.**
6. **Sørg altid for et godt fodfæste på skråninger.**
7. **Gå, løb aldrig.**
8. **Arbejd aldrig på en stige eller et træ for at undgå tab af kontrol.**
9. **Hvis maskinen udsættes for hårde stød, eller den tabes, skal du kontrollere dens tilstand, før du fortsætter arbejdet. Tjek kontrollementerne og sikkerhedshederne for funktionsfejl. Hvis der er nogen beskadigelse eller tvivl, skal du bede vores autoriserede servicecenter om at udføre inspektion og reparation.**

10. **Hold pause for at undgå at miste kontrollen på grund af træthed.** Vi anbefaler, at du tager en pause på 10 til 20 minutter hver time.
11. **Når du forlader maskinen, skal du altid fjerne akkuen, også selv om det er i kort tid.** Hvis maskinen efterlades med akkuen installeret, kan uautoriserede personer bruge maskinen og forårsage en alvorlig ulykke.
12. **Hvis græs eller grene kommer i klemme mellem skæretilbehøret og beskyttelsesskærmen, skal du altid slukke for maskinen og fjerne akkuen, før du rengør maskinen.** Ellers kan skæretilbehøret rotere utilsigtet og forårsage alvorlig personskade.
13. **Undlad at de berøre bevægelige farlige dele, før de bevægelige farlige dele er fuldstændigt stoppet, og akkuen er fjernet.**
14. **Hvis skæretilbehøret rammer sten eller andre hårde genstande, skal du straks slukke for maskinen.** Tag derefter akkuen ud, og undersøg skæretilbehøret.
15. **Kontroller skæretilbehøret hyppigt under brugen for revner eller beskadigelse.** Før inspektionen skal du fjerne akkuen og vente, indtil skæretilbehøret stopper helt. Udskift det beskadigede skæretilbehør straks, også selv om det kun har overfladiske revner.
16. **Skær aldrig over hoftehojde.**
17. **Før skærearbejdet påbegyndes, skal du vente, indtil skæretilbehøret når en konstant hastighed, når du har tændt for maskinen.**
18. **Når du bruger en skærende klinge, skal du svinge maskinen jævnt i en halvcirkel fra højre mod venstre, som ved brug af en le.**
19. **Hold altid kun i maskinen på de isolerede gribeplader, da den skærende klinge kan komme i kontakt med skjulte ledninger.** Skærende klinger, der kommer i kontakt med en strømførende ledning, kan gøre udsatte metaldele på maskinen strømførende og give operatøren et elektrisk stød.
20. **Start ikke maskinen, når skæreværktøjet er viklet ind i afklippet græs.**
21. **Før du starter maskinen, skal du omhyggeligt kontrollere, at skæreværktøjet ikke rører ved jorden og andre forhindrer, såsom et træ.**
22. **Hold altid i maskinen med begge hænder under anvendelse.** Hold aldrig maskinen med én hånd under brug.
23. **Betjen ikke maskinen i dårligt vejr, eller hvis der er risiko for lynnedslag.**

## Skæreværktøjer

1. **Brug ikke et skæreværktøj, som ikke er anbefalet af os.**
2. **Anvend det korrekte skæretilbehør til det arbejde, der udføres.**
  - Nylonskærehoveder (trådtrimmerhoveder) og plastikklinger er velegnede til at klippe græsplæner.
  - Skærende klinger er egnede til at skære ukrudt, højt græs, buske, krat, underskov, skovtykninger og lignende.
  - Brug aldrig andre klinger, herunder roterende metal kæder i flere dele eller plejkklinger. Dette kan medføre alvorlig personskade.

3. **Brug kun skæreværktøjet, der er markeret med en hastighed svarende til eller større end den hastighed, der er angivet på maskinen.**
4. **Hold altid dine hænder, dit ansigt og dit tøj væk fra skæreværktøjet, når det roterer.** Hvis du ikke gør dette, kan det medføre personskade.
5. **Brug altid skæretilbehørets beskyttelsesskærm, der passer ordentligt til det anvendte skæretilbehør.**
6. **Når du bruger skærende klinger, skal du undgå tilbageslag og altid være forberedt på et utilsigtet tilbageslag. Se afsnittet om Tilbageslag.**
7. **Monter altid klingedækslet på klingene, når den ikke er i brug. Fjern dækslet før brug.**

## Tilbageslag (klingekest)

1. **Tilbageslag (klingekest) er en pludselig reaktion på en fastklemt eller bundet skærende klinge.** Når det sker, slynges maskinen sidelæns eller mod operatøren med stor kraft, hvilket kan forårsage alvorlig personskade.
2. **Tilbageslag sker især, når klingesegmentet anvendes i retning mellem klokken 12 og klokken 2 mod faste genstande, buske og træer med en diameter på 3 cm eller derover.**

► Fig.2

3. **Sådan undgår du tilbageslag:**
  1. **Anvend segmentet mellem klokken 8 og klokken 11.**
  2. **Anvend aldrig segmentet mellem klokken 12 og klokken 2.**
  3. **Anvend aldrig segmentet mellem klokken 11 og klokken 12 og mellem klokken 2 og klokken 5, medmindre operatøren er godt uddannet og erfaren og gør dette på egen risiko.**
  4. **Brug aldrig skærende klinger i nærheden af hårde genstande som f.eks. hegn, vægge, træstammer og sten.**
  5. **Brug aldrig skærende klinger lodret til anvendelsesformål som f.eks. kantning og klipping af hække.**

► Fig.3

## Vibration

1. **Personer med dårligt blodomløb, der udsættes for kraftige vibrationer, kan risikere beskadigelse af blodkar eller nervesystemet.** Vibrationer kan medføre følgende symptomer i fingre, hænder eller håndled: "Sovende" led (følelsesløshed), prikken, smerte, stikende fornemmelse, ændring af hudfarven eller af huden. Søg læge, hvis nogen af disse symptomer opstår!
2. **For at mindske risikoen for "hvide fingre", skal du holde hænderne varme under brugen og holde maskinen og tilbehøret i god stand.**

## Transport

1. **Sluk altid for maskinen og fjern akkuen, før du transporterer maskinen. Monter dækslet på den skærende klinge.**
2. **Når du transporterer maskinen, skal du bære den i vandret stilling ved at holde i skaftet.**
3. **Når maskinen skal transporteres i et køretøj, skal den sikres korrekt for at undgå, at den vælter.** Ellers kan det medføre beskadigelse af maskinen eller anden bagage.

## Vedligeholdelse

1. Få maskinen eftersert af vores autoriserede servicecenter, og brug kun originale reservedele. Forkert reparation og dårlig vedligeholdelse kan forkorte maskinens levetid og øge risikoen for ulykker.
2. Før der udføres nogen form for vedligeholdelse, reparationsarbejde eller rengøring af maskinen, skal du altid slukke for den og fjern akkuen.
3. Brug altid beskyttelseshandsker, når du håndterer den skærende klinge.
4. Fjern altid støv og snavs fra maskinen. Brug aldrig benzin, rensebenzin, fortynder, alkohol eller lignende til dette formål. Det kan medføre misfarvning, deformation eller revner i plastikkomponenterne.
5. Tilspænd alle skruer og møtrikker efter hver brug.
6. Forsøg ikke at udføre vedligeholdelse eller reparationsarbejde, der ikke er beskrevet i brugsanvisningen. Bed vores autoriserede servicecenter om at udføre sådant arbejde.
7. Brug altid kun vores originale reservedele og tilbehør. Brug af dele eller tilbehør fra tredjepart kan medføre sammenbrud af maskinen, materiel skade og/eller alvorlig personskade.
8. Anmod vores autoriserede servicecenter om at efterse og vedligeholde maskinen med jævne mellemrum.
9. Hold altid maskinen i god stand. Dårlig vedligeholdelse kan resultere i ringere ydeevne og forkorte maskinens levetid.

## Opbevaring

1. Udfør komplet rengøring og vedligeholdelse, før maskinen opbevares. Fjern akkuen. Monter dækslet på den skærende klinge.
2. Opbevar maskinen på et tørt og højt eller aflåst sted, der er utilgængeligt for børn.
3. Stil ikke maskinen op ad noget som f.eks. en væg. Ellers kan den vælte pludseligt og forårsage personskade.

## Førstehjælp

1. Altid have en førstehjælpskasse i nærheden. Erstat straks enhver genstand, der fjernes fra førstehjælpskassen.
2. Opgiv følgende oplysninger, når du ringer efter hjælp:
  - Ulykkesstedet
  - Hvad der skete
  - Antal tilskadekomne
  - Skades art
  - Dit navn

## Vigtige sikkerhedsinstruktioner for akkuen

1. Læs alle instruktioner og advarselmærkater på (1) akku-opladeren, (2) akkuen og (3) produktet, som anvender akku.
2. Lad være med at skille akkuen ad.
3. Hold straks op med anvendelsen, hvis brugstiden er blevet stærkt afkortet. Fortsat anvendelse kan resultere i risiko for overophedning, forbrændinger og endog eksplosion.
4. Hvis De har fået elektrolytvæske i øjnene, skal De straks skylle den ud med rent vand og derefter øjeblikkeligt søge lægehjælp. I modsat fald kan De miste synet.

5. Vær påpasselig med ikke at komme til at kortslutte akkuen:
  - (1) Rør ikke ved terminalerne med noget ledende materiale.
  - (2) Undgå at opbevare akkuen i en beholder sammen med andre genstande af metal, for eksempel søm, mønter og lignende.
  - (3) Udsæt ikke akkuen for vand eller regn. Kortslutning af akkuen kan forårsage en kraftig øgning af strømmen, overophedning, mulige forbrændinger og endog værktøjstop.
6. Opbevar ikke værktøjet og akkuen på et sted, hvor temperaturen kan nå eller overstige 50 °C.
7. Lad være med at brænde akkuen, selv ikke i tilfælde, hvor den har lidt alvorlig skade eller er fuldstændig udtjent. Akkuen kan eksplodere, hvis man forsøger at brænde den.
8. Lad være med at brænde akkuen eller udsætte den for stød.
9. Anvend ikke en beskadiget akku.
10. De indbyggede litium-ion-batterier er underlagt lovkrav vedrørende farligt gods. Ved kommerciel transport, f.eks. af tredjeparts transportselskaber, skal særlige krav til forpakning og mærkning overholdes. Ved forberedelse af udstyret til forsendelse skal du kontakte en ekspert i farligt gods. Overhold også eventuel mere detaljeret national lovgivning. Tape eller tildæk åbne kontakter, og pak batteriet på en måde, så det ikke kan flytte sig rundt i pakningen.
11. Når akkuen bortskaffes, skal du fjerne den fra maskinen og bortskaffe den på et sikkert sted. Følg de lokale love vedrørende bortskaffelsen af batterier.
12. Brug kun batterierne med de produkter, som Makita specificerer. Hvis batterierne installeres i ikke-kompatible produkter, kan det medføre brand, kraftig varme, eksplosion eller udsivning af elektrolyt.
13. Hvis maskinen ikke skal bruges i længere tid ad gangen, skal du fjerne batteriet fra maskinen.

## GEM DENNE BRUGSANVISNING.

**⚠FORSIGTIG:** Brug kun originale batterier fra Makita. Brug af uoriginale Makita-batterier, eller batterier som er blevet ændret, kan muligvis medføre brud på batteriet, hvilket kan forårsage brand, personskade eller beskadigelse. Det ugyldiggør også Makita-garantien for Makita-maskinen og opladeren.

## Tips til opnåelse af maksimal akku-levetid

1. Oplad akkuen, inden den er helt afladet. Stop altid værktøjet, og oplad akkuen, hvis De bemærker, at værktøjeffekten er aftagende.
2. Genoplad aldrig en fuldt opladet akku. Overopladning vil afkorte akkuens levetid.
3. Oplad akkuen ved stuetemperatur ved 10 °C - 40 °C. Lad altid en varm akku få tid til at køle af, inden den oplades.
4. Oplad akkuen, hvis De ikke skal bruge den i længere tid (mere end seks måneder).



# BESKRIVELSE AF DELENE

► Fig.4

1	Hastighedsindikator	2	ADT-indikator (ADT = Automatisk torque Drive Technology)	3	Advarselslampe	4	Hovedafbryderknap
5	Tilbage-knap	6	Akku	7	Aflåsehåndtag	8	Afbryderknap
9	Bøjle	10	Håndtag	11	Spærre (landespecifik)	12	Skærm
13	Låsehåndtag (kun DUR191U og DUR191L)	14	Samledæksel (kun DUR191U og DUR191L)	15	Hætte (kun DUR191U og DUR191L)	16	Skuldersele

## FUNKTIONSBESKRIVELSE

**⚠ADVARSEL:** Sørg altid for, at der er slukket for maskinen, og at akkuen er fjernet, før der foretages justeringer eller kontrolleres funktioner på maskinen. Hvis maskinen ikke slås fra, og akkuen ikke fjernes, kan det forårsage alvorlig personskade på grund af utilsigtet start.

### Isætning eller fjernelse af akkuen

**⚠FORSIGTIG:** Sluk altid for værktøjet, før De monterer eller fjerner akkuen.

**⚠FORSIGTIG:** Hold værktøjet og akkuen fast ved montering eller fjernelse af akkuen. Hvis De ikke holder værktøjet og akkuen fast, kan de glide ud af hænderne på Dem og forårsage beskadigelse af værktøjet og akkuen eller personskade.

► Fig.5: 1. Rød indikator 2. Knap 3. Akku

Akkuen fjernes ved, at De trækker den ud af værktøjet, idet De skyder knappen på forsiden af akkuen i stilling.

Akkuen monteres ved, at De sætter tungen på akkuen ud for noten i kabinettet og lader den glide på plads. Sæt den hele vejen ind, så den låses på plads med et lille klik. Hvis den røde indikator på oversiden af knappen er synlig, betyder det, at den ikke er tilstrækkeligt låst.

**⚠FORSIGTIG:** Monter altid akkuen helt, indtil den røde indikator ikke længere er synlig. Hvis dette ikke gøres, kan den falde ud af værktøjet ved et uheld, hvorved De selv eller personer i nærheden kan komme til skade.

**⚠FORSIGTIG:** Brug ikke magt ved montering af akkuen. Hvis akkuen ikke glider på plads uden problemer, betyder det, at den ikke sættes i på korrekt vis.

### Beskyttelsessystem til værktøj/batteri

Maskinen er forsynet med et beskyttelsessystem til maskine/batteri. Systemet afbryder automatisk strømmen til motoren for at forlænge maskinens og batteriets levetid. Maskinen stopper automatisk under brugen, hvis maskinen udsættes for et af følgende forhold:

Advarselslampe			Status
Farve	● Tændt	● Blinker	
Rød		●	Overbelastning
Rød		●	Overophedning
Rød		●	Overafledning

### Overbelastningsbeskyttelse

Hvis maskinen kommer i en af følgende situationer, stopper maskinen automatisk, og advarselslampen begynder at blinke rødt:

- Maskinen er overbelastet af sammenfiltret ukrudt eller andre rester.
- Skæreværktøjet er låst eller slået tilbage.
- Hovedafbryderknappen er tændt, så længe der trykkes på afbryderknappen.

I denne situation skal du slippe afbryderknappen og fjerne sammenfiltret ukrudt eller rester om nødvendigt. Efter dette skal du trykke afbryderknappen ind igen for at genoptage betjening.

**⚠FORSIGTIG:** Hvis du skal fjerne det sammenfiltrede ukrudt på maskinen eller løse det låste skæreværktøj, skal du sørge for at slukke for maskinen, før du starter.

### Overophedningsbeskyttelse for maskine eller batteri

Hvis maskinen eller akkuen bliver overophedet, stopper maskinen automatisk. Når maskinen eller akkuen er overophedet, slukker hastighedsindikatoren og ADT-indikatoren, og advarselslampen lyser rødt. Lad maskinen og/eller batteriet køle ned, før der tændes for maskinen igen.

### Beskyttelse mod overafledning










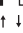
Når batteriladningen bliver for lav, stopper maskinen automatisk. Hastighedsindikatoren og ADT-indikatoren slukker, og advarselslampen begynder at lyse rødt. Hvis maskinen ikke fungerer, selvom kontakterne betjenes, skal du fjerne akkuen fra maskinen og oplade den.

## Indikation af den resterende batteriladning

### Kun til akkuer med indikatoren

► Fig.6: 1. Indikatorlamper 2. Kontrolknap

Tryk på kontrolknappen på akkuen for at få vist den resterende batteriladning. Indikatorlampen lyser i nogle sekunder.

Indikatorlamper			Resterende ladning
			
			75% til 100%
			50% til 75%
			25% til 50%
			0% til 25%
			Genoplad batteriet.
			Der er muligvis fejl i batteriet.

**BEMÆRK:** Afhængigt af brugsforholdene og den omgivende temperatur kan indikationen afvige en smule fra den faktiske ladning.

## Hovedafbryder

Tryk på hovedafbryderknappen for at tænde for maskinen.

For at slukke maskinen skal du trykke og holde hovedafbryderknappen nede, indtil hastighedsindikatoren slukker.

► Fig.7: 1. Hastighedsindikator 2. Hovedafbryderknap

**BEMÆRK:** Maskinen slukker automatisk, hvis den ikke betjenes i en vis periode.

## Afbryderbetjening

**⚠ ADVARSEL:** Inden akkuen monteres på værktøjet, skal De altid kontrollere, at afbryderkontakten fungerer korrekt og returnerer til "OFF"-stillingen, når den slippes. Anvendelse af værktøjet med en afbryderkontakt, som ikke fungerer korrekt, kan føre til, at De mister herredømmet over værktøjet med alvorlig personskaade til følge.

**⚠ FORSIGTIG:** Sæt aldrig fingeren på kontakten, mens du bærer maskinen. Ellers kan maskinen starte ved et uheld og forårsage personskaade.

For at forhindre, at der trykkes på afbryderknappen ved et uheld, er den forsynet med et aflåsehåndtag.

For at starte maskinen skal du tage fat i håndtaget (aflåsehåndtaget frigives, når du tager fat) og derefter trykke på afbryderknappen. Slip afbryderknappen for at stoppe maskinen.

## DUR190U og DUR191U

► Fig.8: 1. Aflåsehåndtag 2. Afbryderknap

## DUR190L og DUR191L











► Fig.9: 1. Aflåsehåndtag 2. Afbryderknap

**BEMÆRK:** Der slukkes automatisk for maskinen, når maskinen efterlades i en bestemt periode uden nogen betjening.

## Justering af hastigheden

Du kan vælge maskinens hastighed ved at trykke på hovedafbryderknappen. Hver gang du trykker på hovedafbryderknappen, ændres hastighedsniveauet.

► Fig.10: 1. Hastighedsindikator 2. Hovedafbryderknap 3. ADT-indikator

Hastighedsindikator	Tilstand	Rotationshastighed
	ADT	3.500 - 6.000 min <sup>-1</sup>
<b>3</b>  <b>2</b>  <b>1</b> 	Høj	6.000 min <sup>-1</sup>
<b>3</b>  <b>2</b>  <b>1</b> 	Middel	5.100 min <sup>-1</sup>
<b>3</b>  <b>2</b>  <b>1</b> 	Lav	3.500 min <sup>-1</sup>

**BEMÆRK:** Når du indstiller ADT (Automatisk torque Drive Technology), tænder ADT-indikatoren, og maskinen kører med optimal omdrejningshastighed og drejningsmoment i forhold til tilstanden af græsset, der skæres.

## Tilbage-knap til fjernelse af rester

**⚠ ADVARSEL:** Sluk for maskinen, og fjern akkuen, før du fjerner fastklemt ukrudt eller rester, som den baglæns rotationsfunktion ikke kan fjerne. Hvis maskinen ikke slås fra, og akkuen ikke fjernes, kan det forårsage alvorlig personskaade på grund af utilsigtet start.

Denne maskine har en tilbage-knap til at vende rotationsretningen. Den er kun til at fjerne ukrudt og rester, der sidder fast i maskinen.

For at vende rotationen skal du trykke på tilbage-knappen og trække i afbryderknappen, mens du trykker ind på aflåsehåndtaget, når skæreværktøjet er stoppet. Hastighedsindikatorerne og ADT-indikatorer begynder at blinke, og skæreværktøjet roterer i omvendt retning, når du trækker i afbryderknappen.

For at vende tilbage til normal rotation skal du slippe afbryderen og vente, indtil skæreværktøjet stopper.

► Fig.11: 1. Hastighedsindikator 2. ADT-indikator 3. Tilbage-knap

**BEMÆRK:** Under omvendt rotation kører maskinen kun i kort tid, hvorefter den stopper automatisk.

**BEMÆRK:** Når maskinen er stoppet, vender rotationen tilbage til normal retning, når du starter maskinen igen.

**BEMÆRK:** Hvis du trykker på tilbage-knappen, mens skæreværktøjet stadig roterer, stopper maskinen og er klar til omvendt rotation.

## Elektrisk bremse

Denne maskine er udstyret med en elektrisk bremse. Hvis maskinen konsekvent undlader at stoppe hurtigt efter at afbryderknappen slippes, skal der udføres service på maskinen på vores servicecenter.

**⚠FORSIGTIG:** Dette bremsesystem er ikke en erstatning for en skærm. Brug aldrig maskinen uden skærmen. Et ubeskyttet skæreværktøj kan medføre alvorlig personskade.

## SAMLING

**⚠ADVARSEL:** Sørg altid for, at der er slukket for maskinen, og at akkuen er fjernet, før der foretages nogen form for arbejde på maskinen. Hvis maskinen ikke slås fra, og akkuen ikke fjernes, kan det forårsage alvorlig personskade på grund af utilsigtet start.

**⚠ADVARSEL:** Start aldrig maskinen, medmindre den er fuldstændigt samlet. Betjening af maskinen i delvis samlet tilstand kan forårsage alvorlig personskade på grund af utilsigtet start.

## Montering af håndtaget

*Kun for DUR190U og DUR191U*

1. Sæt skaftet på håndtaget ind i grebet. Juster skruehullet i grebet med hullet på skaftet. Stram skruen forsvarligt.

▶ **Fig.12:** 1. Greb 2. Skrue 3. Håndtag

2. Sæt håndtaget mellem håndtagsklemmen og håndtagsholderen. Juster håndtaget til en vinkel, der giver en behagelig arbejdsstilling, og fastgør det derefter med sekskantmuffebolte.

▶ **Fig.13:** 1. Sekskantmuffebolt 2. Håndtagsklemme 3. Håndtagsholder

## Montering af spærren

*For DUR190L og DUR191L*

Hvis spærren følger med din model, skal du montere den på håndtaget ved hjælp af skruen på spærren.

▶ **Fig.14:** 1. Spærre 2. Skrue

**⚠FORSIGTIG:** Efter samling af spærren, må den ikke fjernes. Spærren er en sikkerhedsdel, som forhindrer dig i at komme utilsigtet i kontakt med den skærende klinge.

## Montering af monteringsrøret

*Kun for DUR191U og DUR191L*

Monter monteringsrøret på effektenheden.

1. Drej håndtaget i retning af den pil, der vises på figuren.

▶ **Fig.15:** 1. Håndtag

2. Træk samledækslet op, og indsæt monteringsrøret, idet fremspringet på røret (skæreværktøjssiden) justeres med den konkave del af samledelen.

▶ **Fig.16:** 1. Låsehåndtag 2. Samledæksel 3. Rør

Sørg for, at overfladen på låsehåndtaget ligger parallelt med røret.

3. Drej håndtaget i retning af den pil, der vises på figuren.

▶ **Fig.17:** 1. Håndtag

For at fjerne røret skal du dreje håndtaget i retningen af den pil, der er vist i figuren, og trække røret ud, idet låsehåndtaget trykkes ned.

▶ **Fig.18:** 1. Håndtag 2. Låsehåndtag 3. Rør

## Montering af skærmen

**⚠ADVARSEL:** Brug aldrig maskinen, uden at beskyttelsesskærmen sidder på plads som vist. Hvis du ikke overholder dette, kan det forårsage alvorlig personskade.

**⚠FORSIGTIG:** Pas på ikke at komme til skade på skæreren til tilskæring af nylontråden.

Fastgør skærmen til klemmen ved hjælp af bolte.

▶ **Fig.19:** 1. Klemme 2. Skærm 3. Skærer

## Montering af skæreværktøjet

**BEMÆRK:** Typen af skæreværktøj(er), der leveres som standard tilbehør, varierer afhængigt af landene. Skæreværktøjet er ikke inkluderet i nogle lande.

**BEMÆRK:** Vend maskinen med bunden i vejret, så du nemt kan udskifte skæreværktøjet.

## Skærende klinge

**⚠FORSIGTIG:** Ved håndtering af en skærende klinge skal du altid bære handsker og lægge klingedækslet på klingen.

**⚠FORSIGTIG:** Den skærende klinge skal være velpoleret og fri for revner eller brud. Hvis den skærende klinge rammer en sten under brug, skal du stoppe maskinen og efterse den skærende klinge med det samme.

**⚠FORSIGTIG:** Brug altid den skærende klinge med den diameter, som er beskrevet i afsnittet for specifikationer.

▶ **Fig.20:** 1. Møtrik 2. Kop 3. Klemmeskive

4. Skærende klinge 5. Spindel

6. Beskyttelsesskærm 7. Spindellåseknop

1. Monter den skærende klinge på beskyttelsesskærmen, så pilene på den skærende klinge og skærmen peger i samme retning.

▶ **Fig.21:** 1. Pil

2. Placer klemmeskiven og koppen på den skærende klinge.
3. Mens du holder ned på spindellåseknappen, skal du stramme møtrikken forsvarligt med topnøglen.
  - **Fig.22:** 1. Spindellåseknep 2. Topnøgle 3. Løsn 4. Stram

For at fjerne den skærende klinge skal du løsne møtrikken, mens du holder spindellåseknappen nede.

## Nylonskærehoved

**BEMÆRKNING:** Sørg for at bruge et ægte Makita nylonskærehoved.

Mens du holder ned på spindellåseknappen, skal du placere nylonskærehovedet på spindlen og stramme det forsvarligt med hånden.

- **Fig.23:** 1. Nylonskærehoved 2. Spindel 3. Spindellåseknep 4. Løsn 5. Stram

For at fjerne nylonskærehovedet skal du løsne nylonskærehovedet, mens du holder spindellåseknappen nede.

## Plastikklinge

**BEMÆRKNING:** Sørg for at bruge en ægte Makita plastikklinge.

Mens du holder ned på spindellåseknappen, skal du placere plastikklingen på spindlen og stramme den forsvarligt med hånden.

- **Fig.24:** 1. Plastikklinge 2. Spindel 3. Spindellåseknep 4. Løsn 5. Stram

For at fjerne plastikklingen skal du løsne plastikklingen, mens du holder spindellåseknappen nede.

**BEMÆRK:** Du kan bruge den medfølgende unbrakonøgle til at montere/afmontere skæreværktøjet. Indsæt unbrakonøglen i hullet som vist på figuren for at låse spindlen.

- **Fig.25:** 1. Unbrakonøgle 2. Hul

**⚠FORSIGTIG:** Brug altid de medfølgende nøgler til at montere/afmontere skæreværktøjet.

**⚠FORSIGTIG:** Sørg for at fjerne unbrakonøglen indsat i maskinens hoved efter installation af skæreværktøjet.

## Indstilling af håndtagets/bøjleens position

Juster håndtagets og bøjleens position for at opnå behagelig håndtering af maskinen.

**Kun DUR190U og DUR191U**

Juster håndtagets/bøjleens position så maskinen kommer inden for det område, som er vist nedenfor.

- **Fig.26**

1	Bøjleens position fra jorden
2	Skæreværktøjets position fra jorden
3	Den vandrette afstand mellem bøjlen og den beskyttede del af skæreværktøjet

Løsn sekskantmuffeboltene i bunden af håndtagsholderen. Flyt håndtaget til en behagelig arbejdsstilling, og stram derefter boltene.

- **Fig.27:** 1. Håndtagsholder 2. Sekskantmuffebolt 3. Håndtag

Løsn sekskantmuffeboltene på bøjlen. Flyt bøjlen til en behagelig arbejdsstilling, og stram derefter boltene.

- **Fig.28:** 1. Sekskantmuffebolt 2. Bøjle

### For DUR190L og DUR191L

Løsn sekskantmuffeboltene på håndtaget. Flyt håndtaget til en behagelig arbejdsstilling, og stram derefter boltene.

- **Fig.29:** 1. Sekskantmuffebolt 2. Håndtag

Løsn sekskantmuffebolten på bøjlen. Flyt bøjlen til en behagelig arbejdsstilling, og stram derefter boltene.

- **Fig.30:** 1. Sekskantmuffebolt 2. Bøjle

## Opbevaring af unbrakonøgle

Når unbrakonøglen ikke bruges, opbevares den som vist i figuren for at forhindre, at den bliver væk.

- **Fig.31:** 1. Unbrakonøgle

### Kun for DUR190L og DUR191L

- **Fig.32:** 1. Håndtag 2. Unbrakonøgle

# ANVENDELSE

## Montering af skulderselen

**⚠FORSIGTIG:** Brug altid skulderselen monteret på maskinen. Juster skulderselen efter brugerens størrelse før anvendelsen for at forebygge træthed.

**⚠FORSIGTIG:** Før brugen skal du kontrollere, at skulderselen er korrekt monteret på maskinens bøjle.

Forbind krogen på skulderselen til bøjlen, og tag skulderselen på. Sørg for, at maskinen holdes sikkert af skulderselen.

### DUR190U og DUR191U

- **Fig.33:** 1. Krog 2. Bøjle

### DUR190L og DUR191L

- **Fig.34:** 1. Krog 2. Bøjle

## Afmontering

Skulderselen har en metode til hurtig frigørelse.

### DUR190U og DUR191U

- **Fig.35:** 1. Bånd

Træk ud i båndet for at frigøre maskinen fra skulderselen.

### DUR190L og DUR191L

- **Fig.36:** 1. Spænde

Klem blot siderne af spændet sammen for at frigøre maskinen fra skulderselen.

## Korrekt håndtering af maskinen

**⚠ ADVARSEL:** Placer altid maskinen i din højre side. Korrekt placering af maskinen giver maksimal kontrol og mindsker risikoen for alvorlig personskade på grund af tilbageslag.

**⚠ ADVARSEL:** Vær yderst omhyggelig med at bevare kontrollen over maskinen til enhver tid. Lad ikke maskinen blive slyngt tilbage mod dig selv eller andre i arbejdsområdet. Hvis du ikke bevarer kontrollen over maskinen, kan det forårsage alvorlig personskade for tilskueren og operatøren.

**⚠ ADVARSEL:** For at undgå ulykker skal der være en afstand på mere end 15 m mellem operatørerne, når to eller flere operatører arbejder i det samme område. Sørg også for, at en person holder øje med afstanden mellem operatørerne. Hvis en person eller et dyr kommer ind i arbejdsområdet, skal du med det samme ophøre med brugen.

**⚠ FORSIGTIG:** Hvis skæreværktøjet rammer en sten eller en hård genstand ved et uheld under brug, skal du stoppe maskinen og inspicere den for eventuelle skader. Hvis skæreværktøjet er beskadiget, skal det udskiftes med det samme. Brug af et beskadiget skæreværktøj kan medføre alvorlig personskade.

**⚠ FORSIGTIG:** Fjern klingedækslet fra den skærende klinge når du klipper græsset.

Korrekt placering og håndtering giver optimal kontrol og mindsker risikoen for personskade forårsaget af tilbageslag.

**DUR190U og DUR191U**

► Fig.37

**DUR190L og DUR191L**

► Fig.38

**Brug af et nylon-skærehoved (bump- og fremføringsmekanisme)**

Nylon-skærehovedet er et dobbelt trådklippehoved, der er forsynet med en bump- og fremføringsmekanisme. Tryk skærehovedet mod jorden, mens det roterer, for at fremføre nylontråden.

► Fig.39: 1. Mest effektive skæreområde

**BEMÆRKNING:** Bumpfremføreren fungerer ikke korrekt, hvis nylon-skærehovedet ikke roterer.

**BEMÆRK:** Hvis nylontråden ikke føres ud, når hovedet trykkes ned, skal du tilbagespole/udskifte nylontråden ved at følge procedureerne i afsnittet for vedligeholdelse.

## VEDLIGEHOLDELSE

**⚠ ADVARSEL:** Sørg altid for, at der er slukket for maskinen, og at akkuen er fjernet, før du forsøger at udføre inspektion eller vedligeholdelse på maskinen. Hvis maskinen ikke slås fra, og akkuen ikke fjernes, kan det forårsage alvorlig personskade på grund af utilsigtet start.

**BEMÆRKNING:** Anvend aldrig benzin, rensebenzin, fortynder, alkohol og lignende. Det kan medføre misfarvning, deformation eller revner.

For at opretholde produktets SIKKERHED og PÅLIDELIGHED må reparation, vedligeholdelse eller justering kun udføres af et autoriseret Makita servicecenter eller fabrikkervicecenter med anvendelse af Makita reservedele.

## Udskiftning af nylontråden

**⚠ ADVARSEL:** Brug kun nylontråd med en diameter angivet i denne brugsanvisning. Brug aldrig tungere snor, metaltråd, reb eller lignende. Hvis du ikke gør dette, kan det forårsage beskadigelse af maskinen og resultere i alvorlig personskade.

**⚠ ADVARSEL:** Tag altid nylon-skærehoved ud af maskinen, når du udskifter nylontråden.

**⚠ ADVARSEL:** Sørg for, at dækslet på nylon-skærehovedet er fastgjort korrekt til huset som beskrevet i denne instruktionsvejledning. Hvis dækslet ikke er fastgjort forsvarligt, kan nylon-skærehovedet flyve fra hinanden og forårsage alvorlig personskade.

Udskift nylontråden, hvis den ikke længere kan fremføres. Metoden til udskiftning af nylontråden varierer afhængigt af typen af nylon-skærehovedet.

## 95-M10L

► Fig.40

## Udskiftning af plastikklingen

Udskift plastikklingen, hvis den er slidt eller knækket.  
► Fig.41

Ved montering af plastikklingen skal du justere retningen af pilen på klingen i forhold til den på skærmen.  
► Fig.42: 1. Pil på skærmen 2. Pil på klingen

# FEJLFINDING

Udfør selv en inspektion, inden De anmoder om reparation. Hvis De opdager et problem, som ikke er forklaret i brugsanvisningen, må De ikke forsøge at adskille maskinen. Rådfør Dem i stedet med et autoriseret Makita Servicecenter, og brug altid originale Makita udskiftningsdele til reparationer.

Unormal tilstand	Sandsynlig årsag (fejl)	Afhjælpning
Motoren kører ikke.	Akkuen er ikke indsat.	Indsæt akkuen.
	Problem med batteriet (for lav spænding)	Genoplad batteriet. Udskift batteriet, hvis genopladning ikke er effektiv.
	Drevsystemet fungerer ikke korrekt.	Kontakt det lokale autoriserede servicecenter for reparation.
Motoren holder op med at køre efter kort tids brug.	Batteriets opladningsniveau er for lavt.	Genoplad batteriet. Udskift batteriet, hvis genopladning ikke er effektiv.
	Overophedning.	Hold op med at bruge maskinen, så den kan køle ned.
Den når ikke det maksimale omdrejningstal.	Batteriet er indsat forkert.	Indsæt akkuen som beskrevet i denne brugervejledning.
	Batteriladningen falder.	Genoplad batteriet. Udskift batteriet, hvis genopladning ikke er effektiv.
	Drevsystemet fungerer ikke korrekt.	Kontakt det lokale autoriserede servicecenter for reparation.
Skæreværktøjet roterer ikke: ⇒ Stop maskinen med det samme!	Et fremmedlegeme såsom en gren sidder fast mellem beskyttelsesskærmen og skæreværktøjet.	Fjern fremmedlegemet.
	Drevsystemet fungerer ikke korrekt.	Kontakt det lokale autoriserede servicecenter for reparation.
Unormal vibration: ⇒ Stop maskinen med det samme!	Den ene ende af nylontråden er knækket af.	Tryk nylon-skærehovedet mod jorden, mens det roterer, for at fremføre tråden.
	Drevsystemet fungerer ikke korrekt.	Kontakt det lokale autoriserede servicecenter for reparation.
Skæreværktøjet og motoren kan ikke stoppe: ⇒ Fjern batteriet med det samme!	Elektrisk eller elektronisk fejlfunktion.	Fjern batteriet, og kontakt det lokale autoriserede servicecenter for reparation.

## EKSTRAUDSTYR

**⚠ ADVARSEL:** Brug kun det anbefalede tilbehør eller ekstraudstyr, som er angivet i denne manual.

Anvendelse af andet tilbehør eller ekstraudstyr kan medføre alvorlig personskade.

**⚠ FORSIGTIG:** Det følgende tilbehør og ekstraudstyr er anbefalet til brug med Deres Makita maskine, der er beskrevet i denne brugsanvisning. Anvendelse af andet tilbehør eller ekstraudstyr kan udgøre en risiko for personskade. Anvend kun tilbehør og ekstraudstyr til det beskrevne formål.

Hvis De behøver hjælp ved valg af tilbehør eller ønsker yderligere informationer, bedes De kontakte Deres lokale Makita servicecenter.

- Skærende klinge
- Nylon-skærehoved
- Nylontråd (skæreline)
- Plastikklunge
- Original Makita-akku og oplader

**BEMÆRK:** Nogle ting på denne liste kan være inkluderet i værktøjspakken som standardtilbehør. Det kan være forskellige fra land til land.

## ΠΡΟΔΙΑΓΡΑΦΕΣ

Μοντέλο:		DUR190U	DUR190L	DUR191U	DUR191L
Τύπος λαβής		Χερούλι ποδηλάτου	Χερούλι σχήματος βρόχου	Χερούλι ποδηλάτου	Χερούλι σχήματος βρόχου
Ταχύτητα χωρίς φορτίο		3: 6.000 min <sup>-1</sup> 2: 5.100 min <sup>-1</sup> 1: 3.500 min <sup>-1</sup>			
Συνολικό μήκος (χωρίς κοπτικό εργαλείο)		1.775 mm			
Διάμετρος μεσινέζας		2,0 - 2,4 mm			
Ισχύον κοπτικό εργαλείο και διάμετρος κοπής	Λάμα 3 δοντιών (P/N 191J34-5)	230 mm			
	Λάμα 4 δοντιών (P/N 729025-2)	230 mm			
	Κεφαλή κοπής με νάιλον (P/N 126674-0)	300 mm			
	Πλαστική λάμα (P/N 126642-3)	230 mm			
Ονομαστική τάση		D.C. 18 V			
Καθαρό βάρος		3,1 - 3,4 kg	2,9 - 3,2 kg	3,4 - 3,7 kg	3,2 - 3,5 kg

- Λόγω του συνεχιζόμενου προγράμματος έρευνας και ανάπτυξης, οι προδιαγραφές αυτές υπόκεινται σε αλλαγές χωρίς προειδοποίηση.
- Τα τεχνικά χαρακτηριστικά μπορεί να διαφέρουν από χώρα σε χώρα.
- Το βάρος μπορεί να διαφέρει ανάλογα με τα προσαρτήματα, συμπεριλαμβάνοντας την κασέτα μπαταριών. Ο ελαφρύτερος και ο βαρύτερος συνδυασμός, σύμφωνα με τη διαδικασία ΕΡΤΑ 01/2014, παρουσιάζονται στον πίνακα.

### Ισχύουσα κασέτα μπαταριών και φορτιστής

Κασέτα μπαταρίας	BL1815N / BL1820 / BL1820B / BL1830 / BL1830B / BL1840 / BL1840B / BL1850 / BL1850B / BL1860B
Φορτιστής	DC18RC / DC18RD / DC18RE / DC18SD / DC18SE / DC18SF / DC18SH

- Ορισμένες από τις κασέτες και τους φορτιστές μπαταριών που αναγράφονται παραπάνω ίσως να μην είναι διαθέσιμοι, ανάλογα με την τοποθεσία κατοικίας σας.

**⚠ ΠΡΟΕΙΔΟΠΟΙΗΣΗ:** Να χρησιμοποιείτε μόνο τις κασέτες μπαταριών και τους φορτιστές που παρατίθενται ανωτέρω. Η χρήση οποιασδήποτε άλλης κασέτας μπαταριών ή φορτιστή μπορεί να προκαλέσει τραυματισμό ή/και πυρκαγιά.

### Συνιστώμενος προσαρμογέας μπαταριών

Προσαρμογέας μπαταριών	PDC01
------------------------	-------

- Οι προσαρμογείς μπαταριών που αναγράφονται παραπάνω μπορεί να μην είναι διαθέσιμοι, ανάλογα με την περιοχή της κατοικίας σας.
- Πριν χρησιμοποιήσετε τον προσαρμογέα μπαταριών, διαβάστε τις οδηγίες και σημειώσεις προφύλαξης στον προσαρμογέα μπαταριών.

## Μοντέλο DUR190U

Κοπτικό εργαλείο	Επίπεδο ηχητικής πίεσης ( $L_{PA}$ ) dB(A)		Επίπεδο ηχητικής ισχύος ( $L_{WA}$ ) dB(A)		Ισχύον πρότυπο
	$L_{PA}$ dB(A)	Αβεβαιότητα (K) dB(A)	$L_{WA}$ dB(A)	Αβεβαιότητα (K) dB(A)	
Λάμα 4 δοντιών	77,0	3,9	91,6	2,4	ISO22868 (ISO11806-1)
Κεφαλή κοπής με νάιλον	74,0	1,9	87,1	0,9	ISO22868 (ISO11806-1)/ EN50636-2-91
Πλαστική λάμα	75,6	1,3	85,9	2,1	ISO22868 (ISO11806-1)/ EN50636-2-91

## Μοντέλο DUR190L

Κοπτικό εργαλείο	Επίπεδο ηχητικής πίεσης ( $L_{PA}$ ) dB(A)		Επίπεδο ηχητικής ισχύος ( $L_{WA}$ ) dB(A)		Ισχύον πρότυπο
	$L_{PA}$ dB(A)	Αβεβαιότητα (K) dB(A)	$L_{WA}$ dB(A)	Αβεβαιότητα (K) dB(A)	
Λάμα 4 δοντιών	77,0	3,9	91,6	2,4	ISO22868 (ISO11806-1)
Κεφαλή κοπής με νάιλον	74,0	1,9	87,1	0,9	ISO22868 (ISO11806-1)/ EN50636-2-91
Πλαστική λάμα	75,6	1,3	85,9	2,1	ISO22868 (ISO11806-1)/ EN50636-2-91

## Μοντέλο DUR191U

Κοπτικό εργαλείο	Επίπεδο ηχητικής πίεσης ( $L_{PA}$ ) dB(A)		Επίπεδο ηχητικής ισχύος ( $L_{WA}$ ) dB(A)		Ισχύον πρότυπο
	$L_{PA}$ dB(A)	Αβεβαιότητα (K) dB(A)	$L_{WA}$ dB(A)	Αβεβαιότητα (K) dB(A)	
Λάμα 4 δοντιών	77,0	3,9	91,6	2,4	ISO22868 (ISO11806-1)
Κεφαλή κοπής με νάιλον	74,0	1,9	87,1	0,9	ISO22868 (ISO11806-1)/ EN50636-2-91
Πλαστική λάμα	75,6	1,3	85,9	2,1	ISO22868 (ISO11806-1)/ EN50636-2-91

## Μοντέλο DUR191L

Κοπτικό εργαλείο	Επίπεδο ηχητικής πίεσης ( $L_{PA}$ ) dB(A)		Επίπεδο ηχητικής ισχύος ( $L_{WA}$ ) dB(A)		Ισχύον πρότυπο
	$L_{PA}$ dB(A)	Αβεβαιότητα (K) dB(A)	$L_{WA}$ dB(A)	Αβεβαιότητα (K) dB(A)	
Λάμα 4 δοντιών	77,0	3,9	91,6	2,4	ISO22868 (ISO11806-1)
Κεφαλή κοπής με νάιλον	74,0	1,9	87,1	0,9	ISO22868 (ISO11806-1)/ EN50636-2-91
Πλαστική λάμα	75,6	1,3	85,9	2,1	ISO22868 (ISO11806-1)/ EN50636-2-91

- Ακόμη κι αν η στάθμη ηχητικής πίεσης που παρατίθεται ανωτέρω είναι 80 dB (A) ή λιγότερο, η στάθμη υπό συνθήκες εργασίας μπορεί να υπερβεί τα 80 dB (A). Να φοράτε ωτοασπίδες.



**ΠΑΡΑΤΗΡΗΣΗ:** Η δηλωμένη τιμή(ές) εκπομπής θορύβου έχει μετρηθεί σύμφωνα με την πρότυπη μέθοδο δοκιμής και μπορεί να χρησιμοποιηθεί για τη σύγκριση ενός εργαλείου με κάποιο άλλο.

**ΠΑΡΑΤΗΡΗΣΗ:** Η δηλωμένη τιμή(ές) εκπομπής θορύβου μπορεί να χρησιμοποιηθεί και στην προκαταρκτική αξιολόγηση της έκθεσης.

**⚠ ΠΡΟΕΙΔΟΠΟΙΗΣΗ:** Να φοράτε ωτοασπίδες.

**⚠ ΠΡΟΕΙΔΟΠΟΙΗΣΗ:** Η εκπομπή θορύβου κατά τη χρήση του ηλεκτρικού εργαλείου σε πραγματικές συνθήκες μπορεί να διαφέρει από τη δηλωμένη τιμή(ές) ανάλογα με τους τρόπους χρήσης του εργαλείου, ιδιαίτερα το είδος του τεμαχίου εργασίας που υπόκειται επεξεργασία.

**⚠ ΠΡΟΕΙΔΟΠΟΙΗΣΗ:** Φροντίστε να λάβετε τα κατάλληλα μέτρα προστασίας του χειριστή βάσει ενός υπολογισμού της έκθεσης σε πραγματικές συνθήκες χρήσης (λαμβάνοντας υπόψη όλες τις συνιστώσες του κύκλου λειτουργίας όπως τους χρόνους που το εργαλείο είναι εκτός λειτουργίας και όταν βρίσκεται σε αδρανή λειτουργία πέραν του χρόνου ενεργοποίησης).

## Κραδασμός

### Μοντέλο DUR190U

Κοπτικό εργαλείο	Αριστερό χέρι		Δεξί χέρι		Ισχύον πρότυπο
	$a_{h,w}$ (m/s <sup>2</sup> )	Αβεβαιότητα K (m/s <sup>2</sup> )	$a_{h,w}$ (m/s <sup>2</sup> )	Αβεβαιότητα K (m/s <sup>2</sup> )	
Λάμα 4 δοντιών	≤ 2,5	1,5	≤ 2,5	1,5	ISO22867 (ISO11806-1)
Κεφαλή κοπής με νάιλον	≤ 2,5	1,5	≤ 2,5	1,5	ISO22867 (ISO11806-1)
Πλαστική λάμα	≤ 2,5	1,5	≤ 2,5	1,5	ISO22867 (ISO11806-1)

### Μοντέλο DUR190L

Κοπτικό εργαλείο	Αριστερό χέρι		Δεξί χέρι		Ισχύον πρότυπο
	$a_{h,w}$ (m/s <sup>2</sup> )	Αβεβαιότητα K (m/s <sup>2</sup> )	$a_{h,w}$ (m/s <sup>2</sup> )	Αβεβαιότητα K (m/s <sup>2</sup> )	
Λάμα 4 δοντιών	≤ 2,5	1,5	≤ 2,5	1,5	ISO22867 (ISO11806-1)
Κεφαλή κοπής με νάιλον	≤ 2,5	1,5	≤ 2,5	1,5	ISO22867 (ISO11806-1)
Πλαστική λάμα	≤ 2,5	1,5	≤ 2,5	1,5	ISO22867 (ISO11806-1)

### Μοντέλο DUR191U

Κοπτικό εργαλείο	Αριστερό χέρι		Δεξί χέρι		Ισχύον πρότυπο
	$a_{h,w}$ (m/s <sup>2</sup> )	Αβεβαιότητα K (m/s <sup>2</sup> )	$a_{h,w}$ (m/s <sup>2</sup> )	Αβεβαιότητα K (m/s <sup>2</sup> )	
Λάμα 4 δοντιών	≤ 2,5	1,5	≤ 2,5	1,5	ISO22867 (ISO11806-1)
Κεφαλή κοπής με νάιλον	≤ 2,5	1,5	≤ 2,5	1,5	ISO22867 (ISO11806-1)
Πλαστική λάμα	≤ 2,5	1,5	≤ 2,5	1,5	ISO22867 (ISO11806-1)

### Μοντέλο DUR191L

Κοπτικό εργαλείο	Αριστερό χέρι		Δεξί χέρι		Ισχύον πρότυπο
	$a_{h,w}$ (m/s <sup>2</sup> )	Αβεβαιότητα K (m/s <sup>2</sup> )	$a_{h,w}$ (m/s <sup>2</sup> )	Αβεβαιότητα K (m/s <sup>2</sup> )	
Λάμα 4 δοντιών	≤ 2,5	1,5	≤ 2,5	1,5	ISO22867 (ISO11806-1)
Κεφαλή κοπής με νάιλον	≤ 2,5	1,5	≤ 2,5	1,5	ISO22867 (ISO11806-1)
Πλαστική λάμα	≤ 2,5	1,5	≤ 2,5	1,5	ISO22867 (ISO11806-1)

**ΠΑΡΑΤΗΡΗΣΗ:** Η δηλωμένη τιμή(ές) συνολικών κραδασμών έχει μετρηθεί σύμφωνα με την πρότυπη μέθοδο δοκιμής και μπορεί να χρησιμοποιηθεί για τη σύγκριση ενός εργαλείου με κάποιο άλλο.

**ΠΑΡΑΤΗΡΗΣΗ:** Η δηλωμένη τιμή(ές) συνολικών κραδασμών μπορεί να χρησιμοποιηθεί και στην προκαταρκτική αξιολόγηση της έκθεσης.

**⚠️ ΠΡΟΕΙΔΟΠΟΙΗΣΗ:** Η εκπομπή κραδασμών κατά τη χρήση του ηλεκτρικού εργαλείου σε πραγματικές συνθήκες μπορεί να διαφέρει από τη δηλωμένη τιμή(ές) εκπομπής ανάλογα με τους τρόπους χρήσης του εργαλείου, ιδιαίτερα το είδος του τεμαχίου εργασίας που υπόκειται επεξεργασία.

**⚠️ ΠΡΟΕΙΔΟΠΟΙΗΣΗ:** Φροντίστε να λάβετε τα κατάλληλα μέτρα προστασίας του χειριστή βάσει ενός υπολογισμού της έκθεσης σε πραγματικές συνθήκες χρήσης (λαμβάνοντας υπόψη όλες τις συνιστώσες του κύκλου λειτουργίας όπως χρόνους που το εργαλείο είναι εκτός λειτουργίας και όταν βρίσκεται σε αδρανή λειτουργία πέραν του χρόνου ενεργοποίησης).

## Σύμβολα

Παρακάτω παρουσιάζονται τα σύμβολα που χρησιμοποιούνται για τον εξοπλισμό. Βεβαιωθείτε ότι κατανοείτε τη σημασία τους πριν από τη χρήση.



Απαιτούνται ιδιαίτερη φροντίδα και προσοχή.



Διαβάστε το εγχειρίδιο οδηγιών.



Κρατήστε απόσταση τουλάχιστον 15 m.



Κίνδυνος. Να προσέχετε για εκτοξευόμενα αντικείμενα.



Προσοχή. Κλότσημα



Να φοράτε κράνος ασφαλείας, προστατευτικά γυαλιά και ωτοασπίδες.



Να φοράτε προστατευτικά γάντια.



Να φοράτε ανθεκτικές μπότες με αντισθητικές σόλες. Συνιστώνται μπότες ασφαλείας με ασφάλινα προστατευτικά για τα δάκτυλα των ποδιών.



Μην εκθέτετε σε υγρασία.



Ni-MH  
Li-ion

Μόνο για τις χώρες της ΕΕ  
Μην απορρίπτετε ηλεκτρικό εξοπλισμό ή την μπαταρία μαζί με τα οικιακά απορρίμματα! Σύμφωνα με τις Ευρωπαϊκές Οδηγίες για τον απόβλητο ηλεκτρικό και ηλεκτρονικό εξοπλισμό και τις μπαταρίες και συσσωρευτές και τις απόβλητες μπαταρίες και συσσωρευτές και την ενσωμάτωσή τους σύμφωνα με την εθνική νομοθεσία, ο ηλεκτρικός εξοπλισμός και η μπαταρία και τα πακέτα μπαταριών που έχουν φτάσει το τέλος ζωής τους πρέπει να συλλέγονται ξεχωριστά και να επιστρέφονται σε εγκαταστάσεις περιβαλλοντικά συμβατής ανακύκλωσης.

## Δήλωση συμμόρφωσης ΕΚ

**Μόνο για χώρες της Ευρώπης**

Η δήλωση συμμόρφωσης ΕΚ περιλαμβάνεται ως Παράρτημα Α στο παρόν εγχειρίδιο οδηγιών.

## ΠΡΟΕΙΔΟΠΟΙΗΣΕΙΣ ΑΣΦΑΛΕΙΑΣ

### Γενικές προειδοποιήσεις ασφαλείας για το ηλεκτρικό εργαλείο

**⚠️ ΠΡΟΕΙΔΟΠΟΙΗΣΗ:** Διαβάστε όλες τις προειδοποιήσεις ασφάλειας, οδηγίες, εικονογραφήσεις και προδιαγραφές που παρέχονται με αυτό το ηλεκτρικό εργαλείο. Η μη τήρηση όλων των οδηγιών που αναγράφονται κατωτέρω μπορεί να καταλήξει σε ηλεκτροπληξία, πυρκαγιά ή/και σοβαρό τραυματισμό.

### Φυλάξτε όλες τις προειδοποιήσεις και τις οδηγίες για μελλοντική παραπομπή.

Στις προειδοποιήσεις, ο όρος «ηλεκτρικό εργαλείο» αναφέρεται σε ηλεκτρικό εργαλείο που τροφοδοτείται από την κύρια παροχή ηλεκτρικού ρεύματος (με ηλεκτρικό καλώδιο) ή σε ηλεκτρικό εργαλείο που τροφοδοτείται από μπαταρία (χωρίς ηλεκτρικό καλώδιο).

### Σημαντικές οδηγίες ασφάλειας για το εργαλείο

**⚠️ ΠΡΟΕΙΔΟΠΟΙΗΣΗ:** Διαβάστε όλες τις προειδοποιήσεις για την ασφάλεια και όλες τις οδηγίες. Η μη τήρηση των προειδοποιήσεων και οδηγιών μπορεί να καταλήξει σε ηλεκτροπληξία, πυρκαγιά ή/και σοβαρό τραυματισμό.

### Φυλάξτε όλες τις προειδοποιήσεις και τις οδηγίες για μελλοντική παραπομπή.

### Προβλεπόμενη χρήση

1. Το εργαλείο αυτό προορίζεται μόνο για την κοπή γρασιδιού, χόρτων, θάμνων και ελαφριά βλάστησης. Δεν πρέπει να χρησιμοποιηθεί για άλλο σκοπό όπως κοπή άκρων ή φρακτών επειδή μπορεί να προκαλέσει τραυματισμό.

## Γενικές οδηγίες

1. Μην επιτρέπετε ποτέ σε άτομα που δεν γνωρίζουν αυτές τις οδηγίες, σε άτομα (περιλαμβανομένων παιδιών) με μειωμένες σωματικές, αισθητήριες ή διανοητικές ικανότητες, ή σε άτομα που δεν έχουν πείρα και γνώσεις να χρησιμοποιούν αυτό το εργαλείο. Τα παιδιά θα πρέπει να επιτηρούνται για να εξασφαλιστεί ότι δεν παίζουν με το εργαλείο.
  2. Πριν ξεκινήσετε τη λειτουργία του εργαλείου, διαβάστε αυτό το εγχειρίδιο οδηγιών για να εξοικειωθείτε με το χειρισμό του εργαλείου.
  3. Μη δανείσετε το εργαλείο σε άτομο με ανεπαρκή πείρα ή γνώσεις για το χειρισμό των κοπτών με βούρτσα και κουρευτικών με πετονιά.
  4. Όταν δανείτε σε κάποιον το εργαλείο, πάντα να προσαρτάτε αυτό το εγχειρίδιο οδηγιών.
  5. Να χειρίζεστε το εργαλείο με τη μεγαλύτερη φροντίδα και προσοχή.
  6. Μη χρησιμοποιείτε ποτέ το εργαλείο μετά την κατανάλωση αλκοόλ ή φαρμάκων, ή αν αισθάνεστε κουρασμένοι ή αδιάθετοι.
  7. Μην επιχειρήσετε ποτέ να τροποποιήσετε το εργαλείο.
  8. Ακολουθήστε τους κανονισμούς της χώρας σας για το χειρισμό των κοπτών με βούρτσα και κουρευτικών με πετονιά.
4. Κατά τη διάρκεια της λειτουργίας, οι παρευρισκόμενοι ή τα ζώα πρέπει να παραμείνουν τουλάχιστον 15 μέτρα μακριά από το εργαλείο. Να διακόπτετε τη λειτουργία του εργαλείου μόλις κάποιος πλησιάζει.
  5. Μη χειρίζεστε ποτέ το εργαλείο όταν άλλα άτομα, ειδικά παιδιά ή κατοικίδια, βρίσκονται σε κοντινή απόσταση.
  6. Πριν τη λειτουργία, εξετάστε αν υπάρχουν πέτρες ή άλλα στερεά αντικείμενα στην περιοχή εργασίας. Μπορεί να πεταχτούν ή να προκαλέσουν επικίνδυνο κλότσημα, και να έχουν ως αποτέλεσμα σοβαρό τραυματισμό ή/και ζημιά σε ιδιοκτησία.
  7. **▲ΠΡΟΕΙΔΟΠΟΙΗΣΗ:** Η χρήση αυτού του προϊόντος μπορεί να δημιουργήσει σκόνη που περιέχει χημικές ουσίες, οι οποίες προκαλούν αναπνευστικές ή άλλες ασθένειες. Μερικά παραδείγματα αυτών των χημικών ουσιών είναι ενώσεις που συναντώνται σε φυτοφάρμακα, εντομοκτόνα, λιπάσματα και ζιζανιοκτόνα. Ο κίνδυνος από την έκθεσή σας στα παραπάνω διαφέρει ανάλογα με τη συχνότητα με την οποία εκτελείτε αυτού του είδους εργασίες. Για να μειώσετε την έκθεσή σας σε αυτές τις χημικές ουσίες: να εργάζεστε σε χώρο με καλό εξαερισμό και να εργάζεστε με ενγκεκριμένο εξοπλισμό ασφάλειας, όπως προσωπίδα κατά της σκόνης που είναι ειδικά σχεδιασμένη να φιλτράρει μικροσκοπικά σωματίδια.

## Προσωπικός προστατευτικός εξοπλισμός

### ► Εικ.1

1. Φοράτε κράνος ασφαλείας, προστατευτικά γυαλιά και προστατευτικά γάντια για να προστατεύσετε τον εαυτό σας από τα αντικείμενα που εκτοξεύονται ή πέφτουν.
2. Φοράτε προστατευτικά αυτιών, όπως ωτοασπίδες, για να αποτρέψετε την απώλεια της ακοής σας.
3. Φοράτε σωστό ρουχισμό και παπούτσια για την ασφαλή λειτουργία, όπως ολόσωμη φόρμα εργασίας και σταθερά, αντισιδητικά παπούτσια. Μη φοράτε φαρδιά ρούχα ή κοσμήματα. Υπάρχει κίνδυνος να εμπλακούν τα φαρδιά ρούχα, τα κοσμήματα ή τα μακριά μαλλιά σε κινούμενα μέρη.
4. Όταν αγγίζετε τη λεπίδα κόπτη, να φοράτε προστατευτικά γάντια. Οι κοπτικές λάμες μπορούν να κόψουν σοβαρά τα γυμνά χέρια.

## Ασφάλεια στο χώρο εργασίας

1. Να χειρίζεστε το εργαλείο μόνο κάτω από συνθήκες καλής ορατότητας και όταν έχει ακόμα φως έξω. Μη χειρίζεστε το εργαλείο στο σκοτάδι ή όταν υπάρχει ομίχλη.
2. Μη θέτετε το εργαλείο σε λειτουργία σε εκρηκτικές ατμόσφαιρες, όπως παρουσία εύφλεκτων υγρών, αερίων ή σκόνης. Το εργαλείο δημιουργεί απινθήρες που μπορεί να προκαλέσουν ανάφλεξη της σκόνης ή των ατμών.
3. Κατά τη διάρκεια της λειτουργίας, μην στέκεστε ποτέ σε ασταθή ή ολισθηρή επιφάνεια ή σε κατηφόρα. Κατά τις κρύες εποχές, να προσέχετε τον πάγο και το χιόνι και να φροντίζετε ώστε να πατάτε καλά.

## Ηλεκτρική ασφάλεια και ασφάλεια μπαταρίας

1. Μην εκθέτετε το εργαλείο στη βροχή ή σε υγρές συνθήκες. Η είσοδος νερού στο εργαλείο μπορεί να αυξήσει τον κίνδυνο πρόκλησης ηλεκτροπληξίας.
2. Μη χρησιμοποιείτε το εργαλείο αν ο διακόπτης δεν το ενεργοποιεί και δεν το απενεργοποιεί. Κάθε εργαλείο που δεν μπορείτε να ελέγξετε με το διακόπτη λειτουργίας είναι επικίνδυνο και πρέπει να επισκευαστεί.
3. Να αποφεύγετε την αθέλητη ενεργοποίηση του εργαλείου. Βεβαιωθείτε ότι ο διακόπτης βρίσκεται στην ανενεργή θέση πριν τοποθετήσετε κασέτα μπαταριών ή σηκώσετε ή μεταφέρετε το εργαλείο. Αν μεταφέρετε το εργαλείο με το δάχτυλό σας στο διακόπτη ή αν ενεργοποιήσετε το εργαλείο όταν ο διακόπτης είναι στην ενεργή θέση, μπορεί να προκληθούν ατυχήματα.
4. Μη απορρίπτετε την μπαταρία(ιες) στη φωτιά. Το κελί μπορεί να εκραγεί. Συμβουλευτείτε τους τοπικούς κώδικες για πιθανές ειδικές οδηγίες απόρριψης.
5. Μη απορρίπτετε και μην καταστρέψετε την μπαταρία(ιες). Ο ηλεκτρολύτης που εκλύεται είναι διαβρωτικός και μπορεί να προκαλέσει ζημιά στα μάτια ή στο δέρμα. Σε περίπτωση κατάποσης, μπορεί να είναι τοξικό.
6. Μη φορτίσετε την μπαταρία στη βροχή, αλλά ούτε σε υγρές τοποθεσίες.

## Λειτουργία

1. Πριν την συναρμολόγηση ή ρύθμιση του εργαλείου, αφαιρέστε την κασέτα μπαταριών.
2. Πριν το χειρισμό της κοπτικής λάμας, να φοράτε προστατευτικά γάντια.
3. Πριν την τοποθέτηση της κασέτας μπαταριών, ελέγξτε το εργαλείο για ζημιές, χαλαρές βίδες/παξιμύδια ή λανθασμένη συναρμολόγηση. Ακονίστε μια μη κοφτερή κοπτική λάμα. Αν η κοπτική λάμα είναι λυγισμένη ή κατεστραμμένη, αντικαταστήστε την. Ελέγξτε όλους τους μοχλούς ελέγχου και διακόπτες για εύκολη δράση. Καθαρίστε και στεγνώστε τις χειρολαβές.
4. Μην επιχειρήσετε ποτέ να ενεργοποιήσετε το εργαλείο αν είναι κατεστραμμένο ή δεν είναι πλήρως συναρμολογημένο. Διαφορετικά μπορεί να προκληθεί σοβαρός τραυματισμός.
5. Ρυθμίστε τον μίαντα ώμου και τη λαβή για να ταιριάζει με το μέγεθος σώματος του χειριστή.
6. Κατά την τοποθέτηση μιας κασέτας μπαταριών, κρατήστε το εξάρτημα κοπής μακριά από το σώμα σας και άλλα αντικείμενα, συμπεριλαμβανομένου του εδάφους. Μπορεί να περιτραφεί κατά την εκκίνηση και να προκαλέσει τραυματισμό ή ζημιά στο εργαλείο ή/και στην ιδιοκτησία.
7. Απομακρύνετε τυχόν ρυθμιζόμενο κλειδί, γαλλικό κλειδί ή κάλυμμα λάμας πριν ενεργοποιήσετε το εργαλείο. Ένα εξάρτημα που έχει μείνει προσκολλημένο σε κάποιο περιστρεφόμενο μέρος του εργαλείου μπορεί να προκαλέσει προσωπικό τραυματισμό.
8. Το κοπτικό εργαλείο πρέπει να είναι εξοπλισμένο με το προφυλακτήρα. Ποτέ μην χρησιμοποιείτε το εργαλείο με κατεστραμμένους προφυλακτήρες ή όταν οι προφυλακτήρες δεν βρίσκονται στη θέση τους!
9. Βεβαιωθείτε ότι δεν υπάρχουν ηλεκτρικά καλώδια, σωληνώσεις νερού ή αερίου κ.λπ. οι οποίες θα μπορούσαν να προκαλέσουν κίνδυνο αν υποστούν ζημιές από τη χρήση του εργαλείου.

## Λειτουργία

1. Σε περίπτωση επείγουσας ανάγκης, απενεργοποιήστε αμέσως το εργαλείο.
2. Αν βιώσετε οποιαδήποτε ασυνήθιστη κατάσταση (π.χ. θόρυβος, δόνηση) κατά τη διάρκεια της λειτουργίας, απενεργοποιήστε το εργαλείο και αφαιρέστε την κασέτα μπαταριών. Μην χρησιμοποιήσετε το εργαλείο μέχρι να αναγνωριστεί και να επιλυθεί η αιτία.
3. Το εξάρτημα κοπής συνεχίζει να περιστρέφεται για σύντομο διάστημα μετά την απενεργοποίηση. Μην βιαστείτε να ακουμπήσετε το εξάρτημα κοπής.
4. Κατά τη διάρκεια της λειτουργίας, να χρησιμοποιείτε τον μίαντα ώμου. Κρατήστε το εργαλείο σταθερά στη δεξιά πλευρά σας.
5. Μην τεντώνετε υπερβολικά. Να στέκεστε πάντα σταθερά και ισορροπημένα. Προσέχετε για κρυμμένα εμπόδια, όπως κούτσουρα, ρίζες και χαντάκια, για να αποφύγετε να σκοταψάτε.
6. Να είστε πάντα βέβαιοι ότι έχετε καλό πάτημα σε πλαγιές.
7. Να περπατάτε, να μην τρέχετε ποτέ.
8. Μην εργάζεστε ποτέ σε σκάλα ή δέντρο, για να αποφύγετε την απώλεια ελέγχου.

9. Αν το εργαλείο χτυπήσει δυνατά κατά την πτώση, ελέγξτε την κατάσταση πριν συνεχίσετε την εργασία. Ελέγξτε αν υπάρχει δυσλειτουργία στις συσκευές ελέγχου και ασφάλειας. Αν υπάρχει οποιαδήποτε ζημιά ή αν έχετε αμφιβολίες, επικοινωνήστε με το δικό μας εξουσιοδοτημένο κέντρο εξυπηρέτησης για επιθεώρηση και επισκευή.
10. Κάντε ένα διάλειμμα για να αποφύγετε την απώλεια του ελέγχου που προκαλείται από την κόπωση. Συνιστούμε να κάνετε ένα διάλειμμα για ξεκούραση διάρκειας 10 έως 20 λεπτών κάθε ώρα.
11. Όταν αφήσετε το εργαλείο, ακόμη κι αν είναι για σύντομο χρόνο, να βγάζετε πάντα την κασέτα μπαταριών. Αν το εργαλείο δεν επιτηρείται και είναι τοποθετημένη η κασέτα μπαταριών, μπορεί να χρησιμοποιηθεί από μη εξουσιοδοτημένο άτομο και να προκληθεί σοβαρό ατύχημα.
12. Αν πιαστείτε γκαζόν ή κλαδιά μεταξύ του εξαρτήματος κοπής και του προφυλακτήρα, να απενεργοποιείτε πάντα το εργαλείο και να αφαιρείτε την κασέτα μπαταριών πριν από τον καθαρισμό. Διαφορετικά, το εξάρτημα κοπής μπορεί να περιστραφεί κατά λάθος και να προκληθεί σοβαρός τραυματισμός.
13. Μην αγγίζετε ποτέ κινούμενα επικινδύνα μέρη προτού τα κινούμενα επικινδύνα μέρη ακινητοποιηθούν και η κασέτα μπαταριών αφαιρεθεί.
14. Αν το εξάρτημα κοπής χτυπήσει πέτρες ή άλλα σκληρά αντικείμενα, απενεργοποιήστε αμέσως το εργαλείο. Μετά, αφαιρέστε την κασέτα μπαταριών και ελέγξτε το εξάρτημα κοπής.
15. Να ελέγχετε συχνά το εξάρτημα κοπής για ρωγμές ή ζημιές κατά τη διάρκεια της λειτουργίας. Πριν το έλεγχο, αφαιρέστε την κασέτα μπαταριών και περιμένετε μέχρι να σταματήσει εντελώς το εξάρτημα κοπής. Αντικαταστήστε αμέσως ένα κατεστραμμένο εξάρτημα κοπής, ακόμη κι αν έχει μόνο επιφανειακές ρωγμές.
16. Μην κόβετε ποτέ επάνω από το ύψος της μέσης σας.
17. Πριν ξεκινήσετε τη λειτουργία κοπής, περιμένετε μέχρι το εξάρτημα κοπής να φτάσει μια σταθερή ταχύτητα αφού ενεργοποιησετε το εργαλείο.
18. Κατά τη χρήση μιας κοπτικής λάμας, κινήστε το εργαλείο σταθερά σε ημίκυκλο, από τα δεξιά προς τα αριστερά, σαν να χρησιμοποιείτε δρεπάνι.
19. Κρατάτε το εργαλείο μόνο από τις μονωμένες επιφάνειες λαβής επειδή η κοπτική λάμα μπορεί να κάνει επαφή με το κρυμμένο καλώδιο. Οι κοπτικές λάμες που έρχονται σε επαφή με ένα ηλεκτροφόρο καλώδιο μπορεί να κάνουν τα εκτεθειμένα μεταλλικά μέρη του εργαλείου ηλεκτροφόρα και να προκαλέσουν ηλεκτροπληξία στο χειριστή.
20. Μην ξεκινάτε τη λειτουργία του εργαλείου όταν στο κοπτικό εργαλείο είναι μπλεγμένο κομμένο γρασίδι.
21. Πριν εκκινήσετε το εργαλείο, βεβαιωθείτε ότι το κοπτικό εργαλείο δεν αγγίζει το έδαφος και άλλα αντικείμενα, όπως κάποιο δέντρο.
22. Κατά την χρήση, να κρατάτε πάντα το εργαλείο και με τα δυο σας χέρια. Κατά τη χρήση, μην κρατάτε ποτέ το εργαλείο με ένα χέρι.
23. Μην θέτετε το εργαλείο σε λειτουργία σε άσχημες καιρικές συνθήκες ή αν υπάρχει κίνδυνος για κεραυνούς.

## Κοπτικά εργαλεία

1. Μην χρησιμοποιείτε ένα κοπτικό εργαλείο που δεν συνιστούμε.
2. Χρησιμοποιήστε ένα κατάλληλο εξάρτημα κοπής για τη συγκεκριμένη εργασία.
  - Οι κεφαλές κοπής με νάλον (κεφαλές κουρευτικού με πετονιά) και οι πλαστικές λάμες είναι κατάλληλες για την κοπή γκαζόν.
  - Οι κοπτικές λάμες είναι κατάλληλες για την κοπή χόρτων, υψηλού γρασιδιού, θάμνων, βάλων, χαμηλής βλάστησης, δασυλλίων και άλλων παρόμοιων.
  - Ποτέ να μην χρησιμοποιήσετε άλλες λάμες, συμπεριλαμβανομένων μεταλλικών περιστερεφόμενων αλυσίδων πολλαπλών κομματιών και αλωνιστικές λάμες. Μπορεί να έχει ως αποτέλεσμα σοβαρό τραυματισμό.
3. Να χρησιμοποιείτε μόνο κοπτικό εργαλείο που είναι επισημασμένο με ταχύτητα ίση με ή υψηλότερη από την ταχύτητα που είναι επισημασμένη στο εργαλείο.
4. Διατηρείτε πάντα τα χέρια, το πρόσωπο και τα ρούχα σας μακριά από το κοπτικό εργαλείο όταν αυτό περιστρέφεται. Αν δεν το κάνετε αυτό, μπορεί να προκληθεί ατομικός τραυματισμός.
5. Να χρησιμοποιείτε πάντα τον προφυλακτήρα εξαρτήματος κοπής που είναι κατάλληλος για το εξάρτημα κοπής που χρησιμοποιείται.
6. Όταν χρησιμοποιείτε κοπτικές λάμες, αποφύγετε το «κλότσημα» και να είστε πάντα προετοιμασμένοι για κάποιο τυχαίο κλότσημα. Δείτε την ενότητα για το κλότσημα.
7. Όταν δεν χρησιμοποιείται, προσαρτήστε το κάλυμμα λαμών στη λάμα. Αφαιρέστε το κάλυμμα πριν τη λειτουργία.

## Κλότσημα (ώθηση λάμας)

1. Το κλότσημα (ώθηση λάμας) είναι μια ξαφνική αντίδραση όταν η κοπτική λάμα είναι πιασμένη ή δεσμευμένη. Μόλις συμβεί, το εργαλείο πετάγεται προς το πλάι ή προς το χειριστή με μεγάλη δύναμη και μπορεί να προκληθεί σοβαρός τραυματισμός.
2. Το κλότσημα εμφανίζεται ιδιαίτερα κατά τη χρήση του τμήματος της λάμας των 12 και 2 «ωρών» πάνω σε στερεά, θάμνους και δέντρα με διάμετρο 3 cm ή μεγαλύτερη.

### ► Εικ.2

3. Για την αποφυγή του κλοτσήματος:
  1. Χρησιμοποιήστε το τμήμα μεταξύ των 8 και 11 «ωρών».
  2. Μην χρησιμοποιήσετε ποτέ το τμήμα μεταξύ των 12 και 2 «ωρών».
  3. Μην χρησιμοποιήσετε ποτέ το τμήμα μεταξύ των 11 και 12 «ωρών» και το τμήμα μεταξύ των 2 και 5 «ωρών», εκτός αν ο χειριστής είναι καλά εκπαιδευμένος και έμπειρος και το κάνει με δική του ευθύνη.
  4. Μη χρησιμοποιείτε ποτέ κοπτικές λάμες κοντά σε στερεά, όπως φράκτες, τοίχους, κορμούς δέντρων και πέτρες.
  5. Μη χρησιμοποιήσετε ποτέ κοπτικές λάμες κάθετα, για εργασίες όπως μπροντούρες και φράκτες από θάμνους.

### ► Εικ.3

## Κραδασμός

1. Τα άτομα με κακό κυκλοφορικό σύστημα τα οποία εκτίθενται σε υπερβολικούς κραδασμούς μπορεί να παρουσιάσουν βλάβη στα αιμοφόρα αγγεία ή στο νευρικό σύστημα. Οι κραδασμοί μπορεί να προκαλέσουν τα ακόλουθα συμπτώματα στα δάχτυλα, τα χέρια ή τους καρπούς: «Κοίμηση» (μούδιασμα), μυρμήγκιασμα, πόνος, αίσθηση μαχαιρώματος, αλλαγή χρώματος ή παραμόρφωση του δέρματος. Αν έχετε οποιαδήποτε από αυτά τα συμπτώματα, επισκεφτείτε ένα γιατρό!
2. Για να μειώσετε τον κίνδυνο του «συνδρόμου λευκού δακτύλου», να διατηρείτε τα χέρια σας ζεστά κατά τη λειτουργία και να συντηρείτε σωστά το εργαλείο και τα εξαρτήματα.

## Μεταφορά

1. Πριν τη μεταφορά του εργαλείου, απενεργοποιήστε το και αφαιρέστε την κασέτα μπαταριών. Προσαρτήστε το κάλυμμα στην κοπτική λάμα.
2. Όταν μεταφέρετε το εργαλείο, να το φέρετε σε οριζόντια θέση κρατώντας τον άξονα.
3. Όταν μεταφέρετε το εργαλείο σε όχημα, ασφαλίστε το σωστά για να αποφευχθεί η ανατροπή. Διαφορετικά, μπορεί να προκληθεί ζημιά στο εργαλείο και σε άλλες αποσκευές.

## Συντήρηση

1. Φροντίστε για το σέρβις του εργαλείου σας από εξουσιοδοτημένο κέντρο σέρβις, χρησιμοποιώντας πάντα μόνο γνήσια ανταλλακτικά εξαρτήματα. Η λανθασμένη επισκευή και η κακή συντήρηση μπορεί να μειώσουν τη διάρκεια ζωής του εργαλείου και να αυξήσουν τον κίνδυνο ατυχημάτων.
2. Πριν την εκτέλεση οποιασδήποτε εργασίας συντήρησης και επισκευής ή τον καθαρισμό του εργαλείου, να το απενεργοποιείτε και να αφαιρείτε την κασέτα μπαταριών.
3. Να φοράτε πάντα προστατευτικά γάντια κατά το χειρισμό της κοπτικής λάμας.
4. Να καθαρίζετε πάντα τη σκόνη και τη βρομιά από το εργαλείο. Μην χρησιμοποιείτε ποτέ βενζίνη, πετρελαϊκό αιθέρα, διαλυτικό, αλκοόλη ή παρόμοιες ουσίες για το συγκεκριμένο σκοπό. Μπορεί να προκληθεί αποχρωματισμός ή ράγισμα των πλαστικών εξαρτημάτων.
5. Μετά από κάθε χρήση, σφίξτε όλες τις βίδες και παξιμαδία.
6. Μην επιχειρήσετε οποιαδήποτε εργασία συντήρησης ή επισκευής που δεν περιγράφεται στο εγχειρίδιο οδηγιών. Ζητήστε από ένα εξουσιοδοτημένο κέντρο σέρβις μας για μια τέτοια εργασία.
7. Να χρησιμοποιείτε πάντα τα γνήσια ανταλλακτικά και αξεσουάρ μας μόνο. Η χρήση εξαρτημάτων ή αξεσουάρ που παρέχονται από άλλον κατασκευαστή μπορεί να έχουν ως αποτέλεσμα το σπάσιμο του εργαλείου, την πρόκληση ζημιάς σε ιδιοκτησία ή/και σοβαρό τραυματισμό.
8. Ζητήστε από εξουσιοδοτημένο κέντρο σέρβις να επιθεωρήσει και να συντηρήσει το εργαλείο σε τακτά χρονικά διαστήματα.
9. Να διατηρείτε πάντα το εργαλείο σε καλή λειτουργική κατάσταση. Η κακή συντήρηση μπορεί να έχει ως αποτέλεσμα μειωμένη απόδοση και μείωση της διάρκειας ζωής του εργαλείου.

## Αποθήκευση

1. Πριν τη φύλαξη του εργαλείου, εκτελέστε πλήρη καθαρισμό και συντήρηση. Αφαιρέστε την κασέτα μπαταριών. Προσαρτήστε το κάλυμμα στην κοπτική λάμα.
2. Φυλάξτε το εργαλείο σε ένα ψηλό ή κλειδωμένο μέρος χωρίς υγρασία, μακριά από παιδιά.
3. Μην ακουμπάτε το εργαλείο επάνω σε κάτι, όπως σε έναν τοίχο. Διαφορετικά, μπορεί να πέσει ξαφνικά και να προκληθεί τραυματισμός.

## Πρώτες βοήθειες

1. Να έχετε πάντα κοντά ένα κουτί πρώτων βοηθειών. Αντικαταστήστε αμέσως οποιαδήποτε αντικείμενα αφαιρέστε από το κιτ πρώτων βοηθειών.
2. Όταν ζητάτε βοήθεια, δώστε τις ακόλουθες πληροφορίες:
  - Τόπος ατυχήματος
  - Τι συνέβη
  - Αριθμός τραυματισμένων ατόμων
  - Φύση του τραυματισμού
  - Το όνομά σας

## Σημαντικές οδηγίες ασφάλειας για κασέτα μπαταριών

1. Πριν χρησιμοποιήσετε την κασέτα μπαταριών, διαβάστε όλες τις οδηγίες και σημειώσεις προφύλαξης (1) στον φορτιστή μπαταριών, (2) στην μπαταρία και (3) στο προϊόν που χρησιμοποιεί την μπαταρία.
2. Μην αποσυναρμολογήσετε την κασέτα μπαταριών.
3. Εάν ο χρόνος λειτουργίας έχει γίνει υπερβολικά βραχύς, σταματήστε τη λειτουργία αμέσως. Αλλιώς, μπορεί να έχει ως αποτέλεσμα κίνδυνο υπερθέρμανσης, πιθανά εγκαύματα ή ακόμη και έκρηξη.
4. Εάν ηλεκτρολύτης μπει στα μάτια σας, ξεπλύνετέ τα με καθαρό νερό και ζητήστε ιατρική φροντίδα αμέσως. Αλλιώς, μπορεί να έχει ως αποτέλεσμα απώλεια της όρασης σας.
5. Μην βραχυκυκλώνετε την κασέτα μπαταριών:
  - (1) Μην αγγίζετε τους πόλους με οτιδήποτε αγώγιμο υλικό.
  - (2) Αποφεύγετε να αποθηκεύετε την κασέτα μπαταριών μέσα σε ένα δοχείο μαζί με άλλα μεταλλικά αντικείμενα όπως καρφιά, νομίσματα, κλπ.
  - (3) Μην εκθέτετε την κασέτα μπαταριών στο νερό ή στη βροχή.Ένα βραχυκύκλωμα μπαταρίας μπορεί να προκαλέσει μεγάλη ροή ρεύματος, υπερθέρμανση, πιθανά εγκαύματα ακόμη και σοβαρή βλάβη.
6. Μην αποθηκεύετε το εργαλείο και την κασέτα μπαταριών σε τοποθεσίες όπου η θερμοκρασία μπορεί να φτάσει ή να ξεπεράσει τους 50°C.

7. Μην καίτε την κασέτα μπαταριών ακόμη και εάν έχει σοβαρή ζημιά ή είναι εντελώς φθαρμένη. Η κασέτα μπαταριών μπορεί να εκραγεί στη φωτιά.
8. Προσέχετε να μη ρίξετε κάτω ούτε να χτυπήσετε την μπαταρία.
9. Μην χρησιμοποιείτε μπαταρία που έχει υποστεί ζημιά.
10. Οι μπαταρίες ιόντων λιθίου που περιέχονται υποκείνται στις απαιτήσεις της νομοθεσίας για επικίνδυνα αγαθά.

Για εμπορικές μεταφορές, για παράδειγμα από τρίτα μέρη, πρέπει να τηρούνται οι διαμεταφορές, οι ειδικές απαιτήσεις στη συσκευασία και η επισήμανση.

Για προετοιμασία του στοιχείου που αποστέλλεται, είναι απαραίτητο να συμβουλευτείτε έναν ειδικό για επικίνδυνα υλικά. Επίσης, τηρήστε τους πθανούς, πιο αναλυτικούς εθνικούς κανονισμούς. Καλύψτε με αυτοκόλλητη ταινία ή κρύψτε τις ανοικτές επαφές και συσκευάστε την μπαταρία με τρόπο που να μην μπορεί να μετακινείται μέσα στη συσκευασία.
11. Όταν απορρίπτετε την κασέτα μπαταριών, αφαιρέστε την από το εργαλείο και διαθέστε την σε ένα ασφαλές μέρος. Τηρήστε τους τοπικούς κανονισμούς που σχετίζονται με τη διάθεση της μπαταρίας.
12. Χρησιμοποιήστε τις μπαταρίες μόνο με τα προϊόντα που καθορίζει η Makita. Αν τοποθετήσετε τις μπαταρίες σε μη συμβατά προϊόντα μπορεί να έχει ως αποτέλεσμα πυρκαγιά, υπερβολική θερμότητα, έκρηξη ή διαρροή ηλεκτρολύτη.
13. Αν δεν χρησιμοποιείτε το εργαλείο για μεγάλο χρονικό διάστημα, πρέπει να βγάλετε την μπαταρία από το εργαλείο.

## ΦΥΛΑΞΤΕ ΤΙΣ ΟΔΗΓΙΕΣ ΑΥΤΕΣ.

**▲ΠΡΟΣΟΧΗ:** Να χρησιμοποιείτε μόνο γνήσιες μπαταρίες της Makita. Η χρήση μη γνήσιων μπαταριών Makita, ή μπαταριών που έχουν τροποποιηθεί, μπορεί να έχει ως αποτέλεσμα τη ρήξη της μπαταρίας, προκαλώντας πυρκαγιά, προσωπικό τραυματισμό και βλάβη. Επίσης, θα ακυρωθεί η εγγύηση της Makita για το εργαλείο και φορτιστή Makita.

## Συμβουλές για τη διατήρηση της μέγιστης ζωής μπαταρίας

1. Φορτίζετε την κασέτα μπαταριών πριν από την πλήρη αποφόρτισή της. Πάντοτε να σταματάτε τη λειτουργία του εργαλείου και να φορτίζετε την κασέτα μπαταριών όταν παρατηρείτε μειωμένη ισχύ εργαλείου.
2. Ποτέ μην επαναφορτίζετε μια πλήρως φορτισμένη κασέτα μπαταριών. Η υπερφόρτιση μειώνει την ωφέλιμη ζωή της μπαταρίας.
3. Να φορτίζετε την κασέτα μπαταριών σε θερμοκρασία δωματίου, δηλαδή στους 10°C έως 40°C. Αφήστε μια θερμή κασέτα μπαταριών να κρυώσει πριν την φορτίσετε.
4. Να φορτίζετε την κασέτα μπαταριών εάν δεν τη χρησιμοποιείτε για μεγάλη χρονική περίοδο (περισσότερο από έξι μήνες).



# ΠΕΡΙΓΡΑΦΗ ΕΞΑΡΤΗΜΑΤΩΝ

## ► Εικ.4

1	Ένδειξη ταχύτητας	2	Ένδειξη ADT (ADT = Automatic Torque Drive Technology (Τεχνολογία αυτόματης μετάδοσης ροπής))	3	Προειδοποιητική λυχνία	4	Κουμπί κύριας λειτουργίας
5	Κουμπί αντιστροφής	6	Κασέτα μπαταριών	7	Μοχλός απασφάλισης	8	Σκανδάλη διακόπτης
9	Αναρτήρας	10	Χειρολαβή	11	Φραγμός (ειδικό της χώρας)	12	Προστατευτικό
13	Μοχλός ασφάλισης (DUR191U και DUR191L μόνο)	14	Κάλυμμα ένωσης (DUR191U και DUR191L μόνο)	15	Καπάκι (DUR191U και DUR191L μόνο)	16	Ιμάντας ώμου

## ΠΕΡΙΓΡΑΦΗ ΛΕΙΤΟΥΡΓΙΑΣ

**▲ ΠΡΟΕΙΔΟΠΟΙΗΣΗ:** Να φροντίζετε πάντα για την απενεργοποίηση του εργαλείου και την αφαίρεση της κασέτας μπαταριών, πριν από οποιαδήποτε ρύθμιση ή έλεγχο της λειτουργίας του. Αν δεν σβήσετε το μηχάνημα και δεν βγάλετε την κασέτα μπαταριών, μπορεί να προκληθεί σοβαρός προσωπικός τραυματισμός από την τυχαία εκκίνηση.

### Τοποθέτηση ή αφαίρεση της κασέτας μπαταριών

**▲ ΠΡΟΣΟΧΗ:** Να σβήσετε πάντα το εργαλείο πριν τοποθετήσετε ή αφαιρέσετε την κασέτα μπαταριών.

**▲ ΠΡΟΣΟΧΗ:** Κρατήστε το εργαλείο και την κασέτα μπαταριών σταθερά κατά την τοποθέτηση ή αφαίρεση της κασέτας μπαταριών. Εάν δεν κρατάτε το εργαλείο και την κασέτα μπαταριών σταθερά μπορεί να γλιστρήσουν από τα χέρια σας και να προκληθεί βλάβη στο εργαλείο και την κασέτα μπαταριών και προσωπικός τραυματισμός.

## ► Εικ.5: 1. Κόκκινη ένδειξη 2. Κουμπί 3. Κασέτα μπαταριών

Για να αφαιρέσετε την κασέτα μπαταριών, ολισθήστε την από το εργαλείο ενώ σύρετε το κουμπί στο μπροστινό μέρος της κασέτας.

Για να τοποθετήσετε την κασέτα μπαταριών, ευθυγραμμίστε τη γλώσσα στην κασέτα μπαταριών με την αυλάκα στην υποδοχή και ολισθήστε τη στη θέση της. Να την τοποθετείτε πλήρως μέχρι να ασφαλίσει στη θέση της, γεγονός που υποδεικνύεται με ένα χαρακτηριστικό ήχο. Εάν μπορείτε να δείτε την κόκκινη ένδειξη στην επάνω πλευρά του κουμπιού, δεν έχει κλειδώσει τελείως.

**▲ ΠΡΟΣΟΧΗ:** Να τοποθετείτε πάντα την κασέτα μπαταριών πλήρως μέχρι να μη βλέπετε την κόκκινη ένδειξη. Εάν δεν ασφαλιστεί, μπορεί να πέσει από το εργαλείο τυχαία, προκαλώντας σωματική βλάβη σε εσάς ή κάποιον άλλο γύρω σας.

**▲ ΠΡΟΣΟΧΗ:** Μην τοποθετείτε την κασέτα μπαταριών με βία. Εάν η κασέτα δεν ολισθαίνει με ευκολία, τότε δεν έχει τοποθετηθεί κατάλληλα.

## Σύστημα προστασίας εργαλείου/ μπαταρίας

Το εργαλείο είναι εξοπλισμένο με σύστημα προστασίας εργαλείου/μπαταρίας. Αυτό το σύστημα αποκόπτει αυτόματα την ισχύ προς το μοτέρ για να παραταθεί η διάρκεια λειτουργίας του εργαλείου και της μπαταρίας. Το εργαλείο σταματάει αυτόματα κατά τη διάρκεια της λειτουργίας αν το εργαλείο βρεθεί κάτω από τις παρακάτω συνθήκες:

Προειδοποιητική λυχνία		Κατάσταση
Χρώμα	● Αναμμένη	
Κόκκινη	● Αναβοσβήνει	Υπερφόρτιση
Κόκκινη	●	Υπερέθρμανση
Κόκκινη	●	Υπερεκφόρτιση

## Προστασία υπερφόρτωσης

Αν το εργαλείο βρεθεί σε μία από τις ακόλουθες καταστάσεις, η λειτουργία του εργαλείου σταματάει αυτόματα και η προειδοποιητική λυχνία αρχίζει να αναβοσβήνει με κόκκινο χρώμα:

- Το εργαλείο υπερφορτώνεται με μπλεγμένα ζιζάνια ή άλλα σκουπίδια.
- Το κοπτικό εργαλείο είναι ασφαλισμένο ή έχει κλωστήσει προς τα πίσω.
- Το κουμπί κύριας λειτουργίας είναι ενεργοποιημένο όσο τραβάτε τη σκανδάλη διακόπτη.

Σε αυτή την περίπτωση, αφήστε τη σκανδάλη διακόπτη και αφαιρέστε τα μπλεγμένα αγριόχορτα ή σκουπίδια αν απαιτείται. Στη συνέχεια, τραβήξτε ξανά τη σκανδάλη διακόπτη για να συνεχίσετε.

**▲ ΠΡΟΣΟΧΗ:** Αν πρέπει να αφαιρέσετε μπλεγμένα αγριόχορτα από το εργαλείο ή να αποδεσμεύσετε το ασφαλισμένο κοπτικό εργαλείο, βεβαιωθείτε να απενεργοποιήσετε το εργαλείο πριν ξεκινήσετε.

## Προστασία υπερθέρμανσης για το εργαλείο ή την μπαταρία

Αν το εργαλείο ή η κασέτα μπαταριών υπερθερμανθεί, το εργαλείο σταματάει αυτόματα. Όταν το εργαλείο ή η κασέτα μπαταριών υπερθερμανθεί, η ένδειξη ταχύτητας και η ένδειξη ADT σβήνουν και η προειδοποιητική λυχνία ανάβει με κόκκινο χρώμα. Αφήστε το εργαλείο και/ή την μπαταρία να κρυώσει, πριν ενεργοποιήσετε ξανά το εργαλείο.

## Προστασία υπερβολικής αποφόρτισης

Όταν η χωρητικότητα μπαταρίας είναι χαμηλή, η λειτουργία του εργαλείου σταματάει αυτόματα. Η ένδειξη ταχύτητας και η ένδειξη ADT σβήνουν και η προειδοποιητική λυχνία αρχίζει να αναβοσβήνει με κόκκινο χρώμα. Αν το εργαλείο δεν λειτουργήσει ακόμα και όταν χειριστείτε τους διακόπτες, αφαιρέστε την κασέτα μπαταριών από το εργαλείο και φορτίστε την.

## Εμφάνιση υπολειπόμενης χωρητικότητας μπαταρίας

**Μόνο για κασέτες μπαταρίας με την ενδεικτική λυχνία**

► **Εικ.6:** 1. Ενδεικτικές λυχνίες 2. Κουμπί ελέγχου

Πιέστε το κουμπί ελέγχου στην κασέτα μπαταριών για να υποδείξετε την υπολειπόμενη χωρητικότητα μπαταρίας. Οι ενδεικτικές λυχνίες ανάβουν για λίγα δευτερόλεπτα.

Ενδεικτικές λυχνίες			Υπολειπόμενη χωρητικότητα
Αναμμένες	Σβηστές	Αναβοσβήνουν	
			75% έως 100%
			50% έως 75%
			25% έως 50%
			0% έως 25%
			Φορτίστε την μπαταρία.
			Μπορεί να προέκυψε δυσλειτουργία στην μπαταρία.

**ΠΑΡΑΤΗΡΗΣΗ:** Ανάλογα με τις συνθήκες χρήσης και τη θερμοκρασία περιβάλλοντος, η ένδειξη μπορεί να διαφέρει λίγο από την πραγματική χωρητικότητα.

## Διακόπτης κύριας λειτουργίας

Κτυπήστε το κουμπί κύριας λειτουργίας για να ενεργοποιήσετε το εργαλείο.

Για να απενεργοποιήσετε το εργαλείο, πατήστε παρατεταμένα το κουμπί κύριας λειτουργίας μέχρι να σβήσει η ένδειξη ταχύτητας.

► **Εικ.7:** 1. Ένδειξη ταχύτητας 2. Κουμπί κύριας λειτουργίας

**ΠΑΡΑΤΗΡΗΣΗ:** Το εργαλείο θα απενεργοποιηθεί αυτόματα αν δεν λειτουργεί για μια καθορισμένη χρονική περίοδο.

## Δράση διακόπτη

**▲ΠΡΟΕΙΔΟΠΟΙΗΣΗ:** Πριν τοποθετήσετε την κασέτα μπαταριών στο εργαλείο, πάντοτε να ελέγχετε ότι η σκανδάλη διακόπτης ενεργοποιείται κανονικά και επιστρέφει στην ανενεργή θέση «OFF» όταν την αφήνετε. Η λειτουργία ενός εργαλείου με διακόπτη ο οποίος δεν ενεργοποιείται κατάλληλα μπορεί να οδηγήσει σε απώλεια ελέγχου και σοβαρό τραυματισμό.

**▲ΠΡΟΣΟΧΗ:** Μη βάζετε ποτέ το δάχτυλό σας πάνω στο διακόπτη καθώς το μεταφέρετε. Μπορεί να ξεκινήσει να λειτουργεί κατά λάθος το εργαλείο και να προκληθεί τραυματισμός.

Για να μην πιέζεται η σκανδάλη διακόπτης κατά λάθος, παρέχεται ένας μοχλός απασφάλισης. Για να ξεκινήσει η λειτουργία του εργαλείου, πιάστε τη χειρολαβή (ο μοχλός απασφάλισης απελευθερώνεται με το πάσιμο) και μετά τραβήξτε τη σκανδάλη διακόπτη. Για να ξεκινήσετε το εργαλείο, αφήστε τη σκανδάλη διακόπτη.

**DUR190U και DUR191U**

► **Εικ.8:** 1. Μοχλός απασφάλισης 2. Σκανδάλη διακόπτης

**DUR190L και DUR191L**

► **Εικ.9:** 1. Μοχλός απασφάλισης 2. Σκανδάλη διακόπτης

**ΠΑΡΑΤΗΡΗΣΗ:** Το εργαλείο απενεργοποιείται αυτόματα αν το εργαλείο αφεθεί για μια συγκεκριμένη περίοδο χωρίς να εκτελεστεί καμία λειτουργία.

## Ρύθμιση ταχύτητας

Μπορείτε να επιλέξετε την ταχύτητα του εργαλείου αν κτυπήσετε το κουμπί κύριας λειτουργίας. Κάθε φορά που πατάτε το κουμπί κύριας λειτουργίας, αλλάζει η ταχύτητα.

► **Εικ.10:** 1. Ένδειξη ταχύτητας 2. Κουμπί κύριας λειτουργίας 3. Ένδειξη ADT

Ένδειξη ταχύτητας	Λειτουργία	Ταχύτητα περιστροφής
	ADT	3.500 - 6.000 min <sup>-1</sup>
<b>3</b>	Υψηλή	6.000 min <sup>-1</sup>
<b>2</b>	Μεσαία	5.100 min <sup>-1</sup>
<b>2</b>		
<b>1</b>		
<b>3</b>	Χαμηλή	3.500 min <sup>-1</sup>
<b>2</b>		
<b>1</b>		



**ΠΑΡΑΤΗΡΗΣΗ:** Όταν ρυθμίζετε το ADT (Τεχνολογία αυτόματης μετάδοσης ροπής), η ένδειξη ADT ανάβει και το εργαλείο λειτουργεί με βέλτιστη ταχύτητα περιστροφής και ροπή για την κατάσταση του γρασιδιού που κουρεύεται.

## Κουμπί αντιστροφής για αφαίρεση σκουπιδιών

**▲ΠΡΟΕΙΔΟΠΟΙΗΣΗ:** Να σβήνετε το εργαλείο και να βγάξετε την κασέτα μπαταριών πριν αφαιρέσετε μπλεγμένα ζιζάνια ή σκουπίδια, τα οποία δεν μπορεί να αφαιρέσει η λειτουργία αντιστροφής περιστροφής. Αν δεν σβήσετε το μηχανήμα και δεν βγάλετε την κασέτα μπαταριών, μπορεί να προκληθεί σοβαρός προσωπικός τραυματισμός από την τυχαία εκκίνηση.

Αυτό το εργαλείο έχει ένα κουμπί αντιστροφής για να αλλάξει τη διεύθυνση περιστροφής. Προορίζεται μόνο για την απομάκρυνση ζιζανίων και σκουπιδιών που είναι μπλεγμένα στο εργαλείο.

Για να αντιστρέψετε την περιστροφή, κτυπήστε το κουμπί αντιστροφής και τραβήξτε τη σκανδάλη διακόπτη ενώ πατάτε το μοχλό απασφάλισης όταν έχει σταματήσει η λειτουργία του κοπτικού εργαλείου. Οι ενδείξεις ταχύτητας και η λυχνία ADT αρχίζουν να αναβοσβήνουν και το κοπτικό εργαλείο περιστρέφεται στην αντίστροφη κατεύθυνση όταν τραβάτε τη σκανδάλη διακόπτη. Για να επιστρέψετε στην κανονική περιστροφή, αφήστε τη σκανδάλη διακόπτη και περιμένετε μέχρι να σταματήσει το κοπτικό εργαλείο.

► **Εικ.11:** 1. Ένδειξη ταχύτητας 2. Ένδειξη ADT  
3. Κουμπί αντιστροφής

**ΠΑΡΑΤΗΡΗΣΗ:** Κατά τη διάρκεια της αντίστροφης περιστροφής, το εργαλείο λειτουργεί μόνο για μια σύντομη χρονική περίοδο και μετά σταματάει αυτόματα.

**ΠΑΡΑΤΗΡΗΣΗ:** Μόλις το εργαλείο σταματήσει, η περιστροφή επιστρέφει στην κανονική κατεύθυνση όταν αρχίσετε ξανά το εργαλείο.

**ΠΑΡΑΤΗΡΗΣΗ:** Αν κτυπήσετε το κουμπί αντιστροφής ενώ το κοπτικό εργαλείο περιστρέφεται ακόμη, το εργαλείο ακινητοποιείται και είναι έτοιμο για την αντίστροφη περιστροφή.

## Ηλεκτρονικό φρένο

Το εργαλείο αυτό είναι εξοπλισμένο με ηλεκτρικό φρένο. Αν το εργαλείο αποτυγχάνει συνεχώς να σταματάει γρήγορα αφού αφήνετε τη σκανδάλη διακόπτη, ζητήστε την επισκευή του εργαλείου από το κέντρο εξυπηρέτησής μας.

**▲ΠΡΟΣΟΧΗ:** Αυτό το σύστημα φρεναρίσματος δεν αντικαθιστά το προστατευτικό. Μην χρησιμοποιείτε ποτέ το εργαλείο χωρίς το προστατευτικό. Ένα απροστάτευτο κοπτικό εργαλείο μπορεί να προκαλέσει σοβαρό προσωπικό τραυματισμό.

## ΣΥΝΑΡΜΟΛΟΓΗΣΗ

**▲ΠΡΟΕΙΔΟΠΟΙΗΣΗ:** Να βεβαιώνετε πάντα ότι έχετε σβήσει το εργαλείο και έχετε βγάλει την κασέτα μπαταριών πριν εκτελέσετε οποιαδήποτε εργασία σε αυτό. Αν δεν σβήσετε το μηχανήμα και δεν βγάλετε την κασέτα μπαταριών, μπορεί να προκληθεί σοβαρός προσωπικός τραυματισμός από την τυχαία εκκίνηση.

**▲ΠΡΟΕΙΔΟΠΟΙΗΣΗ:** Μη βάζετε ποτέ μπροστά το εργαλείο αν δεν είναι πλήρως συναρμολογημένο. Η λειτουργία του εργαλείου σε μερικώς συναρμολογημένη κατάσταση μπορεί να έχει ως αποτέλεσμα σοβαρό προσωπικό τραυματισμό από τυχαία έναρξη.

## Τοποθέτηση της χειρολαβής

**Μόνο στα DUR190U και DUR191U**

1. Τοποθετήστε τον άξονα της χειρολαβής μέσα στη λαβή. Ευθυγραμμίστε την οπή της βίδας της λαβής με αυτήν του άξονα. Σφίξτε σταθερά τη βίδα.

► **Εικ.12:** 1. Λαβή 2. Βίδα 3. Χειρολαβή

2. Βάλτε τη χειρολαβή ανάμεσα στο σφικτήρα χειρολαβής και την υποδοχή χειρολαβής. Ρυθμίστε τη χειρολαβή σε γωνία που παρέχει άνετη θέση εργασίας και, στη συνέχεια, ασφαλίστε την με τις βίδες Allen.

► **Εικ.13:** 1. Βίδα Allen 2. Σφικτήρας χειρολαβής  
3. Υποδοχή χειρολαβής

## Προσάρτηση του φραγμού

**Στα DUR190L και DUR191L**

Αν ο φραγμός συνοδεύει το μοντέλο σας, προσαρτήστε το στη χειρολαβή χρησιμοποιώντας τη βίδα στον φραγμό.

► **Εικ.14:** 1. Φραγμός 2. Βίδα

**▲ΠΡΟΣΟΧΗ:** Αφού συναρμολογηθεί ο φραγμός, μην τον αφαιρέσετε. Ο φραγμός λειτουργεί ως εξάρτημα ασφαλείας, για να μην έρθετε σε επαφή με την κοπτική λάμα κατά λάθος.

## Τοποθέτηση του πρόσθετου σωλήνα

**Μόνο στα DUR191U και DUR191L**

Τοποθετήστε τον πρόσθετο σωλήνα στην ηλεκτροκίνητη μονάδα.

1. Γυρίστε το μοχλό προς την κατεύθυνση του βέλους όπως φαίνεται στο σχήμα.

► **Εικ.15:** 1. Μοχλός

2. Τραβήξτε προς τα πάνω το κάλυμμα της ένωσης και τοποθετήστε τον πρόσθετο σωλήνα ευθυγραμμίζοντας την προεξοχή του σωλήνα (πλευρά κοπτικού εργαλείου) με το κοίλο τμήμα της ένωσης.

► **Εικ.16:** 1. Μοχλός ασφάλισης 2. Κάλυμμα ένωσης  
3. Σωλήνας

Βεβαιωθείτε ότι η επιφάνεια του μοχλού ασφάλισης είναι παράλληλη προς το σωλήνα.

3. Γυρίστε το μοχλό προς την κατεύθυνση του βέλους όπως φαίνεται στο σχήμα.

► **Εικ.17:** 1. Μοχλός

Για να αφαιρέσετε το σωλήνα, γυρίστε το μοχλό προς την κατεύθυνση του βέλους όπως φαίνεται στο σχήμα, και τραβήξτε προς τα έξω το σωλήνα πιέζοντας ταυτόχρονα προς τα κάτω το μοχλό ασφάλισης.

► **Εικ.18:** 1. Μοχλός 2. Μοχλός ασφάλισης 3. Σωλήνας

## Τοποθέτηση του προστατευτικού

**▲ ΠΡΟΕΙΔΟΠΟΙΗΣΗ:** Μην χρησιμοποιείτε ποτέ το εργαλείο χωρίς ο προφυλακτήρας να βρίσκεται στη θέση που απεικονίζεται. Αν δεν το κάνετε αυτό, μπορεί να προκληθεί σοβαρός προσωπικός τραυματισμός.

**▲ ΠΡΟΣΟΧΗ:** Φροντίστε να μην τραυματιστείτε πάνω στον κόφτη κόβοντας τη μεσινέζα.

Προσαρτήστε το προστατευτικό στο σφιγκτήρα χρησιμοποιώντας μπουλόνια.

► **Εικ.19:** 1. Σφιγκτήρας 2. Προστατευτικό 3. Κόφτης

## Τοποθέτηση του κοπτικού εργαλείου

**ΠΑΡΑΤΗΡΗΣΗ:** Ο τύπος του(των) κοπτικού(ών) εργαλείου(ων) που παρέχονται ως στάνταρ εξαρτήματα διαφέρει ανάλογα με τη χώρα. Το κοπτικό εργαλείο δεν περιλαμβάνεται σε κάποιες χώρες.

**ΠΑΡΑΤΗΡΗΣΗ:** Αναποδογυρίστε το εργαλείο για να μπορέσετε να αντικαταστήσετε το κοπτικό εργαλείο με ευκολία.

## Κοπτική λάμα

**▲ ΠΡΟΣΟΧΗ:** Κατά το χειρισμό μιας κοπτικής λάμας, να φοράτε πάντα γάντια και να τοποθετείτε το κάλυμμα λάμας πάνω στη λάμα.

**▲ ΠΡΟΣΟΧΗ:** Η κοπτική λάμα πρέπει να είναι καλά γυαλισμένη, χωρίς ραγίσματα ή σπασίματα. Αν η κοπτική λάμα χτυπήσει μια πέτρα κατά τη λειτουργία, σταματήστε τη λειτουργία του εργαλείου και ελέγξτε αμέσως την κοπτική λάμα.

**▲ ΠΡΟΣΟΧΗ:** Να χρησιμοποιείτε πάντα την κοπτική λάμα με τη διάμετρο που περιγράφεται στην παράγραφο για τις προδιαγραφές.

► **Εικ.20:** 1. Παξιμάδι 2. Κούπα 3. Ροδέλα σύσφιξης 4. Κοπτική λάμα 5. Αξονίσκος 6. Προφυλακτήρας 7. Κομπι κλειδώματος αξονίσκου

1. Προσαρτήστε την κοπτική λάμα επάνω στον προφυλακτήρα με τρόπο ώστε τα βέλη στην κοπτική λάμα και το προστατευτικό να είναι στραμμένα προς την ίδια κατεύθυνση.

► **Εικ.21:** 1. Βέλος

2. Τοποθετήστε τη ροδέλα σύσφιξης και τη ν κούπα στην κοπτική λάμα.

3. Ενώ κρατάτε κάτω το κομπι κλειδώματος αξονίσκου, σφίξτε το παξιμάδι πολύ καλά με σωληνωτό κλειδί.

► **Εικ.22:** 1. Κομπι κλειδώματος αξονίσκου

2. Σωληνωτό κλειδί 3. Ξεσφίξτε 4. Σφίξτε

Για να αφαιρέσετε την κοπτική λάμα, χαλαρώστε το παξιμάδι ενώ κρατάτε κάτω το κομπι κλειδώματος αξονίσκου.

## Κεφαλή κοπής με νάιλον

**ΕΙΔΟΠΟΙΗΣΗ:** Βεβαιωθείτε να χρησιμοποιείτε γνήσια κεφαλή κοπής με νάιλον της Makita.

Ενώ κρατάτε πατημένο το κομπι κλειδώματος αξονίσκου, τοποθετήστε την κεφαλή κοπής με νάιλον πάνω στον αξονίσκο και σφίξτε την καλά με το χέρι.

► **Εικ.23:** 1. Κεφαλή κοπής με νάιλον 2. Αξονίσκος 3. Κομπι κλειδώματος αξονίσκου 4. Ξεσφίξτε 5. Σφίξτε

Για να αφαιρέσετε την κεφαλή κοπής με νάιλον, χαλαρώστε την κεφαλή κοπής με νάιλον ενώ κρατάτε κάτω το κομπι κλειδώματος αξονίσκου.

## Πλαστική λάμα

**ΕΙΔΟΠΟΙΗΣΗ:** Χρησιμοποιήστε οπωσδήποτε γνήσια πλαστική λάμα Makita.

Ενώ κρατάτε πατημένο το κομπι κλειδώματος αξονίσκου, τοποθετήστε την πλαστική λάμα στον αξονίσκο και σφίξτε την καλά με το χέρι.

► **Εικ.24:** 1. Πλαστική λάμα 2. Αξονίσκος 3. Κομπι κλειδώματος αξονίσκου 4. Ξεσφίξτε 5. Σφίξτε

Για να αφαιρέσετε την πλαστική λάμα, χαλαρώστε την πλαστική λάμα ενώ κρατάτε κάτω το κομπι κλειδώματος αξονίσκου.

**ΠΑΡΑΤΗΡΗΣΗ:** Μπορείτε να χρησιμοποιήσετε το παρεχόμενο εξαγωνικό κλειδί για να τοποθετήσετε/αφαιρέσετε το κοπτικό εργαλείο. Εισαγάγετε το εξαγωνικό κλειδί μέσα στην οπή όπως απεικονίζεται στην εικόνα για να ασφαλίσετε τον αξονίσκο.

► **Εικ.25:** 1. Εξαγωνικό κλειδί 2. Οπή

**▲ ΠΡΟΣΟΧΗ:** Να χρησιμοποιείτε πάντα τα παρεχόμενα κλειδιά για την τοποθέτηση/αφαίρεση του κοπτικού εργαλείου.

**▲ ΠΡΟΣΟΧΗ:** Φροντίστε να αφαιρέσετε το εξαγωνικό κλειδί που εισαγάγετε στην κεφαλή του εργαλείου αφού τοποθετήσετε το κοπτικό εργαλείο.

## Ρύθμιση θέσης χειρολαβής/αναρτήρα

Ρυθμίστε τη θέση της χειρολαβής και του αναρτήρα για να επιτύχετε άνετο χειρισμό του εργαλείου.

### Στα DUR190U και DUR191U

Ρυθμίστε τη θέση χειρολαβής/αναρτήρα ώστε το εργαλείο να βρεθεί εντός του εύρους που απεικονίζεται παρακάτω.

► **Εικ.26**

1	Η θέση αναρτήρα από το έδαφος
2	Η θέση του κοπτικού εργαλείου από το έδαφος
3	Η οριζόντια απόσταση μεταξύ του αναρτήρα και του απροστάτευτου τμήματος του κοπτικού εργαλείου

Ξεσφίστε τις βίδες Allen στο κάτω μέρος της υποδοχής χειρολαβής. Μετακινήστε τη χειρολαβή σε άνετη θέση εργασίας και σφίξτε τις βίδες.

► **Εικ.27:** 1. Υποδοχή χειρολαβής 2. Βίδα Allen  
3. Χειρολαβή

Ξεσφίστε τις βίδες Allen στον αναρτήρα. Μετακινήστε τον αναρτήρα σε άνετη θέση εργασίας και σφίξτε τις βίδες.

► **Εικ.28:** 1. Βίδα Allen 2. Αναρτήρας

### Στα DUR190L και DUR191L

Ξεσφίστε τις βίδες Allen στη χειρολαβή. Μετακινήστε τη χειρολαβή σε άνετη θέση εργασίας και σφίξτε τις βίδες.

► **Εικ.29:** 1. Βίδα Allen 2. Χειρολαβή

Ξεσφίστε τη βίδα Allen στον αναρτήρα. Μετακινήστε τον αναρτήρα σε άνετη θέση εργασίας και σφίξτε τη βίδα.

► **Εικ.30:** 1. Βίδα Allen 2. Αναρτήρας

## Φύλαξη εξαγωνικού κλειδιού

Όταν δεν χρησιμοποιείτε το εξαγωνικό κλειδί, αποθηκεύστε το όπως φαίνεται στο σχήμα, για να μην χαθεί.

► **Εικ.31:** 1. Εξαγωνικό κλειδί

### Μόνο στα DUR190L και DUR191L

► **Εικ.32:** 1. Χειρολαβή 2. Εξαγωνικό κλειδί

## ΛΕΙΤΟΥΡΓΙΑ

### Σύνδεση του ιμάντα ώμου

**▲ΠΡΟΣΟΧΗ:** Να χρησιμοποιείτε πάντα τον ιμάντα ώμου που είναι προσαρτημένος στο εργαλείο. Πριν τη λειτουργία, προσαρμόστε τον ιμάντα ώμου ανάλογα με το σωματικό μέγεθος του χρήστη για να αποφευχθεί η κόπωση.

**▲ΠΡΟΣΟΧΗ:** Πριν από τη λειτουργία, βεβαιωθείτε ότι ο ιμάντας ώμου είναι σωστά προσαρτημένος στον αναρτήρα στο εργαλείο.

Συνδέστε το γάντζο του ιμάντα ώμου στον αναρτήρα και φορέστε τον ιμάντα ώμου. Βεβαιωθείτε ότι το εργαλείο κρατιέται καλά από τον ιμάντα ώμου.

### DUR190U και DUR191U

► **Εικ.33:** 1. Γάντζος 2. Αναρτήρας

### DUR190L και DUR191L

► **Εικ.34:** 1. Γάντζος 2. Αναρτήρας

## Αποσύνδεση

Ο ιμάντας ώμου διαθέτει εξάρτημα ταχείας αποσύνδεσης.

### DUR190U και DUR191U

► **Εικ.35:** 1. Ταινία

Τραβήξτε προς τα έξω την ταινία για να αποσυνδέσετε το εργαλείο από τον ιμάντα ώμου.

### DUR190L και DUR191L

► **Εικ.36:** 1. Πόρπη

Πιέστε απλά τα πλάγια της πόρπης για να αποσυνδέσετε το εργαλείο από τον ιμάντα ώμου.

## Σωστός χειρισμός του εργαλείου

**▲ΠΡΟΕΙΔΟΠΟΙΗΣΗ:** Να τοποθετείτε πάντα το εργαλείο στη δεξιά πλευρά σας. Η σωστή τοποθέτηση του εργαλείου επιτρέπει το μέγιστο έλεγχο και μειώνει τον κίνδυνο σοβαρού προσωπικού τραυματισμού που προκαλείται από κλότσημα.

**▲ΠΡΟΕΙΔΟΠΟΙΗΣΗ:** Δώστε μεγάλη προσοχή για να διατηρήσετε τον έλεγχο του εργαλείου ανά πάσα στιγμή. Μην αφήνετε το εργαλείο να εκτραπεί προς το μέρος σας ή προς οποιονδήποτε άλλον στην περιοχή εργασίας. Αν δεν διατηρείτε τον έλεγχο του εργαλείου, μπορεί να προκύψει σοβαρός τραυματισμός σε παρευρισκόμενους και στο χειριστή.

**▲ΠΡΟΕΙΔΟΠΟΙΗΣΗ:** Προς αποφυγή ενδεχόμενου ατυχήματος, η απόσταση μεταξύ δύο χειριστών πρέπει να είναι 15 m, όταν στον ίδιο χώρο εργάζονται δύο ή περισσότεροι χειριστές. Επίσης, ορίστε ένα άτομο που θα παρατηρεί την απόσταση μεταξύ των χειριστών. Αν κάποιο άτομο ή ζώο εισέλθει στο χώρο εργασίας, διακόψτε αμέσως τη λειτουργία του εργαλείου.

**▲ΠΡΟΣΟΧΗ:** Αν, κατά τη διάρκεια της λειτουργίας, το κοπτικό εργαλείο χτυπήσει κατά λάθος σε πέτρα ή σκληρό αντικείμενο, διακόψτε τη λειτουργία του εργαλείου και ελέγξτε για τυχόν ζημιά. Αν το κοπτικό εργαλείο έχει υποστεί ζημιά, αντικαταστήστε το αμέσως. Η χρήση ενός κατεστραμμένου κοπτικού εργαλείου μπορεί να έχει ως αποτέλεσμα σοβαρό προσωπικό τραυματισμό.

**▲ΠΡΟΣΟΧΗ:** Αφαιρέστε το κάλυμμα λάμας από την κοπτική λάμα όταν κόβετε γρασιδί.

Η σωστή τοποθέτηση και χειρισμός επιτρέπουν το βέλτιστο έλεγχο και μειώνουν τον κίνδυνο τραυματισμού που προκαλείται από κλότσημα.

### DUR190U και DUR191U

► **Εικ.37**

### DUR190L και DUR191L

► **Εικ.38**

Όταν χρησιμοποιείται κεφαλή κοπής με νάιλον (τύπος τροφοδοσίας μεσινέζας με κτύπημα κεφαλής)

Η κεφαλή κοπής με νάιλον είναι μια κουρευτική κεφαλή με διπλή πετονιά που παρέχεται με μηχανισμό χειροκίνητης τροφοδοσίας της πετονιάς με κτύπημα της κεφαλής.

Για την έξοδο της μεσινέζας, κτυπήστε την κεφαλή κοπής επάνω στο έδαφος ενώ περιστρέφεται η κεφαλή κοπής.

► **Εικ.39:** 1. Πιο αποτελεσματική περιοχή κοπής

**ΕΙΔΟΠΟΙΗΣΗ:** Η τροφοδοσία μεσινέζας με κτύπημα κεφαλής δεν θα λειτουργήσει σωστά αν η κεφαλή κοπής με νάιλον δεν περιστρέφεται.

**ΠΑΡΑΤΗΡΗΣΗ:** Αν η νάιλον μεσινέζα δεν εξέρχεται ενώ κτυπάτε την κεφαλή, επαναυλίξτε/αντικαταστήστε τη νάιλον μεσινέζα ακολουθώντας τις διαδικασίες στην ενότητα για τη συντήρηση.

## ΣΥΝΤΗΡΗΣΗ

**⚠ ΠΡΟΕΙΔΟΠΟΙΗΣΗ:** Να φροντίζετε πάντα για την απενεργοποίηση του εργαλείου και την αφαίρεση της κασέτας μπαταριών πριν επιχειρήσετε να εκτελέσετε μια εργασία ελέγχου ή συντήρησης στο εργαλείο. Αν δεν σβήσετε το μηχάνημα και δεν βγάλετε την κασέτα μπαταριών, μπορεί να προκληθεί σοβαρός προσωπικός τραυματισμός από την τυχαία εκκίνηση.

**ΕΙΔΟΠΟΙΗΣΗ:** Μην χρησιμοποιείτε ποτέ βενζίνη, πετρελαϊκό αιθέρα, διαλυτικό, αλκοόλη ή παρόμοιες ουσίες. Μπορεί να προκληθεί αποχρωματισμός, παραμόρφωση ή ρωγμές.

Για τη διατήρηση της ΑΣΦΑΛΕΙΑΣ και ΑΞΙΟΠΙΣΤΙΑΣ του προϊόντος, οι επισκευές και οποιαδήποτε άλλη εργασία συντήρησης ή ρύθμισης πρέπει να εκτελούνται από εξουσιοδοτημένα ή εργοστασιακά κέντρα εξυπηρέτησης της Makita, χρησιμοποιώντας πάντοτε ανταλλακτικά της Makita.

### Αντικατάσταση της νάιλον μεσινέζας

**⚠ ΠΡΟΕΙΔΟΠΟΙΗΣΗ:** Να χρησιμοποιείτε τη νάιλον μεσινέζα μόνο με τη διάμετρο που καθορίζεται στο παρόν εγχειρίδιο οδηγιών. Μην χρησιμοποιείτε ποτέ πιο χονδρή γραμμή, σύρμα, σκοινί ή κάτι παρόμοιο. Αν δεν το κάνετε αυτό, μπορεί να προκληθεί ζημιά στο εργαλείο και να έχει ως αποτέλεσμα σοβαρό προσωπικό τραυματισμό.

**⚠ ΠΡΟΕΙΔΟΠΟΙΗΣΗ:** Να αφαιρείτε πάντα την κεφαλή κοπής με νάιλον από το εργαλείο όταν αλλάζετε τη νάιλον μεσινέζα.

**⚠ ΠΡΟΕΙΔΟΠΟΙΗΣΗ:** Φροντίστε ώστε το κάλυμμα της κεφαλής κοπής με νάιλον να είναι στερεωμένο σωστά στο περίβλημα όπως περιγράφεται στο παρόν εγχειρίδιο οδηγιών. Αν δεν ασφαλίσετε κατάλληλα το κάλυμμα, μπορεί να προκληθεί η εκτόξευση της κεφαλής κοπής με νάιλον προκαλώντας σοβαρό προσωπικό τραυματισμό.

Αντικαταστήστε τη νάιλον μεσινέζα αν δεν είναι πλέον δυνατή η τροφοδοσία της. Η μέθοδος αντικατάστασης της νάιλον μεσινέζας διαφέρει ανάλογα με τον τύπο της κεφαλής κοπής με νάιλον.

### 95-M10L

► Εικ.40

### Αντικατάσταση της πλαστικής λάμας

Αντικαταστήστε την πλαστική λάμα αν έχει φθαρεί ή σπάσει.

► Εικ.41

Όταν τοποθετείτε την πλαστική λάμα, ευθυγραμμίστε την κατεύθυνση του βέλους στη λάμα με αυτή στο προστατευτικό.

► Εικ.42: 1. Βέλος στο προστατευτικό 2. Βέλος στη λάμα

# ΑΝΤΙΜΕΤΩΠΙΣΗ ΠΡΟΒΛΗΜΑΤΩΝ

Πριν ζητήσετε επισκευές, εκτελέστε αρχικά τη δική σας επιθεώρηση. Αν εντοπίσετε πρόβλημα που δεν επεξηγείται στο εγχειρίδιο, μην επιχειρήσετε να αποσυναρμολογήσετε το εργαλείο. Αντ' αυτού, ζητήστε βοήθεια από εξουσιοδοτημένα κέντρα εξυπηρέτησης της Makita και πάντοτε να χρησιμοποιείτε γνήσια ανταλλακτικά της Makita.

Κατάσταση προβλήματος	Πιθανή αιτία (δυσλειτουργία)	Αποκατάσταση
Το μοτέρ δεν λειτουργεί.	Δεν είναι τοποθετημένη η κασέτα μπαταριών.	Τοποθετήστε την κασέτα μπαταριών.
	Πρόβλημα μπαταριών (μικρή τάση)	Επαναφορτίστε την μπαταρία. Αν η επαναφόρτιση δεν είναι αποτελεσματική, αντικαταστήστε την μπαταρία.
	Το σύστημα μετάδοσης κίνησης δεν λειτουργεί σωστά.	Απευθυνθείτε στο τοπικό εξουσιοδοτημένο κέντρο σέρβις για επισκευή.
Το μοτέρ σταματά να λειτουργεί μετά από μικρή χρήση.	Το επίπεδο φόρτισης μπαταρίας είναι χαμηλό.	Επαναφορτίστε την μπαταρία. Αν η επαναφόρτιση δεν είναι αποτελεσματική, αντικαταστήστε την μπαταρία.
	Υπερθέρμανση.	Σταματήστε να χρησιμοποιείτε το εργαλείο για να το αφήσετε να κρυώσει.
Δεν φτάνει τις μέγιστες ΣΑΛ.	Η μπαταρία δεν είναι σωστά τοποθετημένη.	Τοποθετήστε την κασέτα μπαταριών όπως περιγράφεται σε αυτό το εγχειρίδιο.
	Η ισχύς της μπαταρίας πέφτει.	Επαναφορτίστε την μπαταρία. Αν η επαναφόρτιση δεν είναι αποτελεσματική, αντικαταστήστε την μπαταρία.
	Το σύστημα μετάδοσης κίνησης δεν λειτουργεί σωστά.	Απευθυνθείτε στο τοπικό εξουσιοδοτημένο κέντρο σέρβις για επισκευή.
Το εργαλείο κουρέματος δεν περιστρέφεται: ⇒ Σταματήστε αμέσως το μηχάνημα!	Έχει φράξει ένα ξένο αντικείμενο, όπως ένα κλαδί, μεταξύ του προφυλακτήρα και του κοπτικού εργαλείου.	Αφαιρέστε το ξένο αντικείμενο.
	Το σύστημα μετάδοσης κίνησης δεν λειτουργεί σωστά.	Απευθυνθείτε στο τοπικό εξουσιοδοτημένο κέντρο σέρβις για επισκευή.
Ασυνήθιστοι κραδασμοί: ⇒ Σταματήστε αμέσως το μηχάνημα!	Το ένα άκρο της νάλιον μεσινέζας έχει σπάσει.	Κτυπήστε την κεφαλή κοπής με νάλιον επάνω στο έδαφος ενώ περιστρέφεται η κεφαλή κοπής για να προκαλέσετε την τροφοδοσία της μεσινέζας.
	Το σύστημα μετάδοσης κίνησης δεν λειτουργεί σωστά.	Απευθυνθείτε στο τοπικό εξουσιοδοτημένο κέντρο σέρβις για επισκευή.
Το κοπτικό εργαλείο και το μοτέρ δεν σταματούν: ⇒ Βγάλτε αμέσως την μπαταρία!	Ηλεκτρική ή ηλεκτρονική δυσλειτουργία.	Βγάλτε την μπαταρία και απευθυνθείτε στο τοπικό εξουσιοδοτημένο κέντρο σέρβις για επισκευή.

## ΠΡΟΑΙΡΕΤΙΚΑ ΕΞΑΡΤΗΜΑΤΑ

**⚠ ΠΡΟΕΙΔΟΠΟΙΗΣΗ:** Να χρησιμοποιείτε μόνο τα συνιστώμενα εξαρτήματα ή προσαρτήματα που υποδεικνύονται στο παρόν εγχειρίδιο. Η χρήση οποιωνδήποτε άλλων εξαρτημάτων ή προσαρτημάτων μπορεί να έχει ως αποτέλεσμα σοβαρό προσωπικό τραυματισμό.

**⚠ ΠΡΟΣΟΧΗ:** Αυτά τα εξαρτήματα ή προσαρτήματα συνιστώνται για χρήση με το εργαλείο Makita που περιγράφηκε στις οδηγίες αυτές. Η χρήση οποιωνδήποτε άλλων εξαρτημάτων ή προσαρτημάτων μπορεί να προκαλέσει κίνδυνο τραυματισμού σε άτομα. Να χρησιμοποιείτε τα εξαρτήματα ή προσαρτήματα μόνο για την χρήση που προορίζονται.

- Κοπτική λάμα
- Κεφαλή κοπής με νάλιον
- Νάλιον μεσινέζα (πετονιά κοπής)
- Πλαστική λάμα
- Γνήσια μπαταρία και φορτιστής της Makita

**ΠΑΡΑΤΗΡΗΣΗ:** Μερικά στοιχεία στη λίστα μπορεί να συμπεριλαμβάνονται στη συσκευασία εργαλείου ως στάνταρ εξαρτήματα. Μπορεί να διαφέρουν ανάλογα με τη χώρα.

Εάν χρειάζεστε οποιαδήποτε βοήθεια για περισσότερες πληροφορίες σε σχέση με αυτά τα εξαρτήματα, απευθυνθείτε στο τοπικό σας κέντρο εξυπηρέτησης Makita.

## TEKNİK ÖZELLİKLER

Model:	DUR190U	DUR190L	DUR191U	DUR191L
Kol tipi	Gidon	Yuvarlak kol	Gidon	Yuvarlak kol
Yüksüz hız	3: 6.000 min <sup>-1</sup> 2: 5.100 min <sup>-1</sup> 1: 3.500 min <sup>-1</sup>			
Tam uzunluk (kesici parça hariç)	1.775 mm			
Misina çapı	2,0 - 2,4 mm			
Kullanılabilecek kesici parça ve kesme çapı	3 dişli bıçak (P/N 191J34-5)	230 mm		
	4 dişli bıçak (P/N 729025-2)	230 mm		
	Misinalı kesim başlığı (P/N 126674-0)	300 mm		
	Plastik bıçak (P/N 126642-3)	230 mm		
Anma voltajı	D.C. 18 V			
Net ağırlık	3,1 - 3,4 kg	2,9 - 3,2 kg	3,4 - 3,7 kg	3,2 - 3,5 kg

- Sürekli yapılan araştırma ve geliştirmelerden dolayı, burada belirtilen özellikler önceden bildirilmeksizin değiştirilebilir.
- Özellikler ülkeden ülkeye değişebilir.
- Ağırlık, ekli aksesuara/aksesuarlara ve batarya kartuşuna bağlı olarak farklılık gösterebilir. EPTA-Prosedürü 01/2014'e göre en hafif ve en ağır kombinasyonlar tabloda verilmiştir.

## Geçerli batarya kartuşu ve şarj aleti

Batarya kartuşu	BL1815N / BL1820 / BL1820B / BL1830 / BL1830B / BL1840 / BL1840B / BL1850 / BL1850B / BL1860B
Şarj aleti	DC18RC / DC18RD / DC18RE / DC18SD / DC18SE / DC18SF / DC18SH

- Yukarıda listelenen batarya kartuşlarının ve şarj aletlerinin bazıları yaşadığınız bölgeye bağlı olarak mevcut olmayabilir.

**UYARI:** Sadece yukarıda listelenen batarya kartuşlarını ve şarj aletlerini kullanın. Başka batarya kartuşlarının ve şarj aletlerinin kullanılması yaralanma ve/veya yangına neden olabilir.

## Önerilen batarya adaptörü

Batarya adaptörü	PDC01
------------------	-------

- Yukarıda listelenen batarya adaptör(ler)ü yaşadığınız bölgeye bağlı olarak mevcut olmayabilir.
- Batarya adaptörünü kullanmadan önce, batarya adaptörü üzerindeki uyarı işaretlerini ve talimatı okuyun.

**Model DUR190U**

Kesici parça	Ses basıncı seviyesi ( $L_{pA}$ ) dB(A)		Ses gücü düzeyi ( $L_{WA}$ ) dB(A)		Geçerli standart
	$L_{pA}$ dB(A)	Belirsizlik (K) dB(A)	$L_{WA}$ dB(A)	Belirsizlik (K) dB(A)	
4 dişli bıçak	77,0	3,9	91,6	2,4	ISO22868 (ISO11806-1)
Misinalı kesim başlığı	74,0	1,9	87,1	0,9	ISO22868 (ISO11806-1)/ EN50636-2-91
Plastik bıçak	75,6	1,3	85,9	2,1	ISO22868 (ISO11806-1)/ EN50636-2-91

**Model DUR190L**

Kesici parça	Ses basıncı seviyesi ( $L_{pA}$ ) dB(A)		Ses gücü düzeyi ( $L_{WA}$ ) dB(A)		Geçerli standart
	$L_{pA}$ dB(A)	Belirsizlik (K) dB(A)	$L_{WA}$ dB(A)	Belirsizlik (K) dB(A)	
4 dişli bıçak	77,0	3,9	91,6	2,4	ISO22868 (ISO11806-1)
Misinalı kesim başlığı	74,0	1,9	87,1	0,9	ISO22868 (ISO11806-1)/ EN50636-2-91
Plastik bıçak	75,6	1,3	85,9	2,1	ISO22868 (ISO11806-1)/ EN50636-2-91

**Model DUR191U**

Kesici parça	Ses basıncı seviyesi ( $L_{pA}$ ) dB(A)		Ses gücü düzeyi ( $L_{WA}$ ) dB(A)		Geçerli standart
	$L_{pA}$ dB(A)	Belirsizlik (K) dB(A)	$L_{WA}$ dB(A)	Belirsizlik (K) dB(A)	
4 dişli bıçak	77,0	3,9	91,6	2,4	ISO22868 (ISO11806-1)
Misinalı kesim başlığı	74,0	1,9	87,1	0,9	ISO22868 (ISO11806-1)/ EN50636-2-91
Plastik bıçak	75,6	1,3	85,9	2,1	ISO22868 (ISO11806-1)/ EN50636-2-91

**Model DUR191L**

Kesici parça	Ses basıncı seviyesi ( $L_{pA}$ ) dB(A)		Ses gücü düzeyi ( $L_{WA}$ ) dB(A)		Geçerli standart
	$L_{pA}$ dB(A)	Belirsizlik (K) dB(A)	$L_{WA}$ dB(A)	Belirsizlik (K) dB(A)	
4 dişli bıçak	77,0	3,9	91,6	2,4	ISO22868 (ISO11806-1)
Misinalı kesim başlığı	74,0	1,9	87,1	0,9	ISO22868 (ISO11806-1)/ EN50636-2-91
Plastik bıçak	75,6	1,3	85,9	2,1	ISO22868 (ISO11806-1)/ EN50636-2-91

- Yukarıda belirtilen ses basınç seviyesi 80 dB (A) veya daha düşük olsa da, çalışma sırasındaki seviye 80 dB (A)'yı aşabilir. Kulak koruyucuları takın.

**NOT:** Beyan edilen gürültü emisyonu değer(ler)i bir standart test yöntemine uygun şekilde ölçülmüştür ve bir aleti bir başkasıyla karşılaştırmak için kullanılabilir.

**NOT:** Beyan edilen gürültü emisyonu değer(ler)i bir ön maruz kalma değerlendirmesi olarak da kullanılabilir.

**⚠UYARI:** Kulak koruyucuları takın.

**⚠UYARI:** Elektrikli aletin gerçek kullanımı sırasındaki gürültü emisyonu, aletin kullanım biçimlerine, özellikle işlenen iş parçasının türüne bağlı olarak beyan edilen değer(ler)den farklı olabilir.

**⚠UYARI:** Gerçek kullanım koşullarındaki tahmini maruziyeti baz alan, operatörü koruyacak güvenlik önlemlerini mutlaka belirleyin (çalışma döngüsü içerisinde aletin kapalı olduğu ve aktif durumda olmasının yanı sıra boşta çalıştığı zamanlar gibi, bütün zaman dilimleri göz önünde bulundurarak).

## Titreşim

### Model DUR190U

Kesici parça	Sol el		Sağ el		Geçerli standart
	$a_{h,w}$ (m/s <sup>2</sup> )	Belirsizlik K (m/s <sup>2</sup> )	$a_{h,w}$ (m/s <sup>2</sup> )	Belirsizlik K (m/s <sup>2</sup> )	
4 dişli bıçak	≤ 2,5	1,5	≤ 2,5	1,5	ISO22867 (ISO11806-1)
Misinalı kesim başlığı	≤ 2,5	1,5	≤ 2,5	1,5	ISO22867 (ISO11806-1)
Plastik bıçak	≤ 2,5	1,5	≤ 2,5	1,5	ISO22867 (ISO11806-1)

### Model DUR190L

Kesici parça	Sol el		Sağ el		Geçerli standart
	$a_{h,w}$ (m/s <sup>2</sup> )	Belirsizlik K (m/s <sup>2</sup> )	$a_{h,w}$ (m/s <sup>2</sup> )	Belirsizlik K (m/s <sup>2</sup> )	
4 dişli bıçak	≤ 2,5	1,5	≤ 2,5	1,5	ISO22867 (ISO11806-1)
Misinalı kesim başlığı	≤ 2,5	1,5	≤ 2,5	1,5	ISO22867 (ISO11806-1)
Plastik bıçak	≤ 2,5	1,5	≤ 2,5	1,5	ISO22867 (ISO11806-1)

### Model DUR191U

Kesici parça	Sol el		Sağ el		Geçerli standart
	$a_{h,w}$ (m/s <sup>2</sup> )	Belirsizlik K (m/s <sup>2</sup> )	$a_{h,w}$ (m/s <sup>2</sup> )	Belirsizlik K (m/s <sup>2</sup> )	
4 dişli bıçak	≤ 2,5	1,5	≤ 2,5	1,5	ISO22867 (ISO11806-1)
Misinalı kesim başlığı	≤ 2,5	1,5	≤ 2,5	1,5	ISO22867 (ISO11806-1)
Plastik bıçak	≤ 2,5	1,5	≤ 2,5	1,5	ISO22867 (ISO11806-1)

### Model DUR191L

Kesici parça	Sol el		Sağ el		Geçerli standart
	$a_{h,w}$ (m/s <sup>2</sup> )	Belirsizlik K (m/s <sup>2</sup> )	$a_{h,w}$ (m/s <sup>2</sup> )	Belirsizlik K (m/s <sup>2</sup> )	
4 dişli bıçak	≤ 2,5	1,5	≤ 2,5	1,5	ISO22867 (ISO11806-1)
Misinalı kesim başlığı	≤ 2,5	1,5	≤ 2,5	1,5	ISO22867 (ISO11806-1)
Plastik bıçak	≤ 2,5	1,5	≤ 2,5	1,5	ISO22867 (ISO11806-1)

**NOT:** Beyan edilen titreşim toplam değer(ler)i bir standart test yöntemine uygun şekilde ölçülmüştür ve bir aleti bir başkasıyla karşılaştırmak için kullanılabilir.

**NOT:** Beyan edilen titreşim toplam değer(ler)i bir ön maruz kalma değerlendirmesi olarak da kullanılabilir.



**⚠UYARI:** Elektrikli aletin gerçek kullanımı sırasındaki titreşim emisyonu, aletin kullanım biçimlerine, özellikle işlenen iş parçasının türüne bağlı olarak beyan edilen değer(ler)den farklı olabilir.

**⚠UYARI:** Gerçek kullanım koşullarındaki tahmini maruziyeti baz alan, operatörü koruyacak güvenlik önlemlerini mutlaka belirleyin (çalışma döngüsü içerisinde aletin kapalı olduğu ve aktif durumda olmasının yanı sıra boşta çalıştığı zamanlar gibi, bütün zaman dilimleri göz önünde bulundurarak).

## Semboller

Aşağıdakiler makineniz için kullanılan sembollerini göstermektedir. Kullanmadan önce manalarını anladığınızdan emin olunuz.



Çok özenli ve dikkatli kullanın.



El kitabını okuyun.



En az 15 m uzakta durun.



Tehlike; sıçrayan nesnelere korununuz.



Dikkat; geri tepme



Kask, koruyucu gözlük ve kulak koruyucu takın.



Koruyucu eldiven giyin.



Altı kaymayan sağlam ayakkabılar giyin. Çelik burunlu güvenlik ayakkabıları önerilir.



Neme maruz bırakmayın.



Sadece AB ülkeleri için  
Elektrik donanımını ve batarya kutusunu evsel atıklarla birlikte bertaraf etmeyiniz! Atık Elektrikli ve Elektronik Donanımlar, bataryalar ve Akümülatörler ve Atık bataryalar ve Akümülatörler konusundaki Avrupa Direktifleri ve bunların ulusal yasalara uygulanmaları uyarınca, kullanım ömürleri biten elektrikli donanımların, bataryaların ve batarya takım(lar)ının ayrı toplanmaları ve çevreye uyumlu bir geri kazanım tesisine getirilmeleri gereklidir.

## EC Uygunluk Beyanı

### Sadece Avrupa ülkeleri için

EC uygunluk beyanı bu kullanım kılavuzuna Ek A olarak eklenmiştir.

## GÜVENLİK UYARILARI

### Genel elektrikli alet güvenliği uyarıları

**⚠UYARI:** Bu elektrikli aletle birlikte sunulan tüm güvenlik uyarılarını, talimatları, çizimleri ve teknik özellikleri okuyun. Aşağıda verilen talimatlara uyulmaması elektrik şoku, yangın ve/veya ciddi yaralanmalar ile sonuçlanabilir.

## Tüm uyarıları ve talimatları ile-ride başvurmak için saklayın.

Uyarılardaki "elektrikli alet" terimi ile ya prizden çalışan (kordonlu) elektrikli aletiniz ya da kendi aküsü ile çalışan (kordonsuz) elektrikli aletiniz kastedilmektedir.

## Alet hakkında önemli güvenlik talimatları

**⚠UYARI:** Tüm güvenlik uyarılarını ve tüm talimatları okuyun. Uyarılara ve talimatlara uyulmaması elektrik şoku, yangın ve/veya ciddi yaralanmalar ile sonuçlanabilir.

## Tüm uyarıları ve talimatları ile-ride başvurmak için saklayın.

### Kullanım amacı

1. Bu alet sadece çim, yabancı ot, çalı ve ağaçların altında yetişen bitkileri kesmek için tasarlanmıştır. Kenar düzeltme veya çit budama gibi başka hiçbir amaçla kullanılmamalıdır, aksi takdirde yaralanmalara neden olabilir.

### Genel talimatlar

1. Aletin, bu talimatları bilmeyen, (çocuklar dahil) fiziksel, duyuşsal ya da zihinsel yetenekleri kısıtlı olan veya deneyim ya da bilgileri olmayan kişilerce kullanılmasına asla izin vermeyin. Aletle oynamadıklarından emin olmak için çocuklar kontrol altında bulundurulmalıdır.
2. Aleti çalıştırmadan önce aletin kullanımına aşina olmak için bu kullanma kılavuzunu okuyun.
3. Aleti, yan tırpan ve misinalı yan tırpan kullanımını hakkında yeterli deneyim veya bilgisi olmayan kişilere ödünç vermeyin.
4. Aleti ödünç verirken bu kullanma kılavuzunu mutlaka iletin.
5. Aleti azami özen ve dikkatle kullanın.
6. Alkol veya ilaç aldıktan sonra ya da yorgun veya hasta hissettiğinizde aleti kesinlikle kullanmayın.
7. Alet üzerinde asla değişiklik yapmaya kalkışmayın.
8. Yan tırpan ve misinalı yan tırpanların kullanımıyla ilgili kendi ülkenizdeki düzenlemeleri takip edin.

### Kişisel koruyucu ekipmanlar

#### ► Şek.1

1. Uçuşan çer çöp veya düşen nesnelere kendinizi korumak için güvenlik kaskı, koruyucu gözlük ve koruyucu eldiven takın.
2. İşitme kaybını engellemek için kulak tıkacı gibi kulak koruyucu takın.

3. **Güvenli çalışma için iş tulumu ve sağlam, kaymaz ayakkabı gibi uygun giysi ve takı ayakkabı giyin. Bol kıyafet giymeyin veya takı takmayın. Bol kıyafet, takı veya uzun saç hareketli parçalara kapıtırılabilir.**
4. **Kesici bıçağa dokunurken koruyucu eldiven giyin. Kesici bıçaklar çıplak elleri ağır biçimde kesebilir.**

## Çalışma alanı güvenliği

1. **Aleti sadece aydınlık bir ortamda ve gün ışığında kullanın. Aleti karanlıkta ya da sisli havada kullanmayın.**
2. **Aleti örneğin yanıcı sıvıların, gazların veya tozun bulunduğu patlayıcı ortamlarda kullanmayın. Alet, tozları ya da dumanları tutuşturabilecek kıvılcımlar çıkarır.**
3. **Kullanım sırasında, asla sabit olmayan ya da kaygan bir yüzeyde veya dik meyilli bir yerde durmayın. Soğuk mevsimlerde, buz ve kara karşı dikkatli olun ve her zaman yere sağlam bastığınızdan emin olun.**
4. **Kullanım sırasında, etrafınızdaki kişileri ya da hayvanları aletten en az 15 m uzakta tutun. Biri yaklaştığı anda aleti durdurun.**
5. **Aleti asla çevresinde insanlar, özellikle de çocuklar veya evcil hayvanlar varken kullanmayın.**
6. **Çalıştırmadan önce, çalışma alanında taş ya da başka sert cisimler olup olmadığına bakın. Bunlar fırlatılabilir veya tehlikeli geri tepmeye neden olarak ciddi yaralanma ve/veya mal hasarına yol açabilir.**
7. **⚠UYARI: Bu ürünün kullanılması, solunum veya başka hastalıklara neden olabilecek kimyasallar içeren toz üretebilir. Tarım ilaçları, böcek ilaçları, gübreler ve ot öldürücülerde bulunan bileşikler, bu kimyasallara bazı örneklerdir. Bu kimyasallara maruz kalmanızdan dolayı oluşacak risk, bu tip işleri ne sıklıkla yaptığınıza göre değişir. Bu kimyasallara maruziyetinizi azaltmak için: iyi havalandırılmış bir alanda ve mikroskobik parçacıkları filtrelemek için tasarlanmış toz maskeleri gibi onaylanmış güvenlik ekipmanları ile çalışın.**

## Elektrik ve batarya güvenliği

1. **Aleti yağmura veya ıslak koşullara maruz bırakmayın. Makinenin içine su girmesi elektrik çarpması riskini arttıracaktır.**
2. **Anahtar aleti açıp kapatmıyorsa aleti kullanmayın. Anahtarla kontrol edilemeyen her türlü alet tehlikelidir ve onarılmalıdır.**
3. **Aletin istem dışı çalışmasını önleyin. Bir batarya kartuşu takmadan, aleti elinize almadan veya taşımadan önce anahtarın kapalı konumda olduğundan emin olun. Aleti parmağınız anahtarın üzerindeyken taşıma ya da anahtar açtıkları konumdayken alete güç verme kazalara davetiye çıkarır.**
4. **Bataryayı/bataryaları ateşe atmayın. Batarya hücresi patlayabilir. Bertaraf etmeye ilişkin olası özel talimatlar için yerel yönetmelikleri kontrol edin.**
5. **Batarya/bataryaları açmayın ya da batarya(lar) üzerinde değişiklik yapmayın. Ortaya çıkan elektrolit aşındırıcıdır ve gözleze ya da cilde zarar verebilir. Yutulduğu takdirde zehifli olabilir.**
6. **Bataryayı yağmurda veya ıslak yerlerde şarj etmeyin.**

## Kullanıma alma

1. **Aleti monte etmeden veya ayarlamadan önce batarya kartuşunu çıkarın.**
2. **Kesici bıçakla işlem yapmadan önce koruyucu eldiven giyin.**
3. **Batarya kartuşunu takmadan önce aleti hasarlara, gevşek vida/somunlara veya hatalı montaja karşı kontrol edin. Kötü kesici bıçağı bileyin. Kesici bıçak eğilir veya hasar görürse değiştirin. Tüm kontrol kollarını ve anahtarları kontrol ederek rahat çalıştıklarını görün. Kolları temizleyin ve kurulayın.**
4. **Hasarlı veya tamamen monte edilmemiş ise aleti çalıştırmaya asla kalkışmayın. Aksi takdirde ciddi yaralanmaya neden olabilir.**
5. **Omuz askısı ve tutamağı, kullanıcının vücut ölçüsüne uyacak şekilde ayarlayın.**
6. **Batarya kartuşunu takarken kesici ek parçayı vücudunuzdan ve yer dahil diğer nesnelere uzak tutun. Çalıştırırken dönelim ve yaralanmaya veya alet ve/veya malın hasar görmesine yol açabilir.**
7. **Aleti çalıştırmadan önce her türlü ayar anahtarını, anahtar veya bıçak kapağını çıkarın. Aletin hareketli bir parçasına takılı kalan aksesuar, yaralanmaya sonuçlanabilir.**
8. **Kesici parça, siperle donatılmalıdır. Aleti asla hasarlı siperlerle ya da siperler takılı değilken çalıştırmayın.**
9. **Aletin kullanımından dolayı hasar görmesi halinde tehlikeye yol açabilecek elektrik kabloları, su boruları, gaz boruları, vb. olduğundan emin olun.**

## Çalıştırma

1. **Acil bir durumda, aleti derhal kapatın.**
2. **İşlem sırasında herhangi bir anormal durum (örneğin gürültü, titreşim) hissederseniz aleti kapatın ve batarya kartuşunu çıkarın. Durumun nedeni anlaşılıp çözülene kadar aleti kullanmayın.**
3. **Alet kapatıldıktan sonra kesici ek parça kısa bir süre daha dönmeye devam eder. Kesici ek parçaya dokunmak için acele etmeyin.**
4. **Çalışma sırasında, omuz askısını kullanın. Aleti sağ tarafınızda sıkı bir şekilde tutun.**
5. **Fazla ileriyeye uzanmaya çalışmayın. Her zaman yere sağlam basın ve dengenizi koruyun. Tökezlememek için, ağaç kütükleri, kökler ve çukur alanlar gibi gizli engellere dikkat edin.**
6. **Eğimli yerlerde adımlarınıza daima dikkat edin.**
7. **Yürüyerek kullanın, asla koşmayın.**
8. **Kontrol kaybından sakınmak için asla bir merdivenin üzerinde veya ağaçta çalışmayın.**
9. **Alet ağır bir darbe alır ya da düşerse, çalışmaya devam etmeden önce durumunu kontrol edin. Kumandalarda ve güvenlik aygıtlarında arıza olup olmadığını kontrol edin. Herhangi bir hasar veya tereddüt durumunda kontrol ve onarım için yetkili servis merkezimize başvurun.**
10. **Yorgunluk nedeniyle kontrol kaybı oluşmasını önlemek için dinlenin. Saat başına 10 ila 20 dakika dinlenmeniz önerilir.**

11. **Aleti kısa bir süreliğine bile olsa bıraktığınızda, mutlaka batarya kartuşunu çıkarın.** Batarya kartuşu takılı durumda gözetimsiz bırakılan alet, yetkisiz bir kişi tarafından kullanılabilir ve ciddi kazalara sebep olabilir.
12. **Kesici ek parça ile siperin arasına çim veya çalı takılırsa temizlemeden önce daima aleti kapatın ve batarya kartuşunu çıkarın.** Aksi takdirde kesici ek parça kazara dönebilir ve ciddi yaralanmaya yol açabilir.
13. **Hareket halindeki tehlikeli parçalar tamamen durmadan ve batarya kartuşu çıkarılmadan hareket halindeki tehlikeli parçalara asla dokunmayın.**
14. **Kesici ek parçanın taş veya benzeri sert cisimlere çarpması halinde, aleti derhal kapatın. Daha sonra batarya kartuşunu çıkarın ve kesici ek parçayı kontrol edin.**
15. **Çalışma sırasında kesici ek parçayı çatlaklara veya hasarlara karşı sık sık kontrol edin. Kontrol etmeden önce batarya kartuşunu çıkarın ve kesici ek parça tamamen durana kadar bekleyin. Sadece yüzeysel çatlaklar olsa bile hasarlı kesici ek parçayı derhal değiştirin.**
16. **Asla bel hizanızın üzerinde kesim yapmayın.**
17. **Kesim işlemine başlamadan önce aleti ağıttıktan sonra kesici ek parçanın sabit bir hıza ulaşmasını bekleyin.**
18. **Kesici bıçak kullanırken aleti, tırpan kullanırken olduğu gibi sağdan sola doğru yarım daire çizerek şekilde eşit olarak sallayın.**
19. **Kesici bıçak gizli kablolarla temas edebileceği için, aleti sadece yalıtımlı kavrama yüzeylerinden tutun. Kesici bıçakların "akımlı" bir tele temas etmesi aletin yalıtımsız metal kısımlarını "akımlı" hale getirebilir ve kullanıcıyı elektrik şokuna maruz bırakabilir.**
20. **Kesici parçaya kesilen çim dolaştığında aleti çalıştırmayın.**
21. **Aleti çalıştırmadan önce, kesici parçanın yere ve ağaç gibi diğer cisimlere değmediğinden emin olun.**
22. **Kullanım sırasında aleti daima iki elinizle birden tutun. Kullanım sırasında aleti asla tek elinizle tutmayın.**
23. **Aleti kötü havada veya yıldırım riski varken çalıştırmayın.**

## Kesici parçalar

1. **Tarafımızdan önerilmeyen kesici parça kullanmayın.**
2. **Yapacağınız işe uygun kesici ek parça kullanın.**
  - Misinalı kesim başlıkları (misinalı yan tırpan başlıkları) ve plastik bıçaklar çim kesmek için uygundur.
  - Kesici bıçaklar otları, yüksek çimleri, çalılıkları, çalılı, ağaç altlarını, sık çalılık ve benzerlerini kesmek için uygundur.
  - Metal çok parçalı döner zincirler ve çim biçme makinesi bıçakları dahil asla başka bıçaklar kullanmayın. Ciddi yaralanmaya neden olabilir.
3. **Sadece aletin üzerinde yazılı hıza eşit veya daha yüksek hıza sahip kesici parça kullanın.**

4. **Ellerinizi, yüzünüzü ve giysilerinizi dönen kesici parçadan daima uzak tutun.** Aksi takdirde yaralanmaya sebep olabilir.
5. **Mutlaka kullanılan kesici parçaya uygun kesici ek parça siperi kullanın.**
6. **Kesici bıçakları kullanırken "geri tepmeden" kaçınin ve kazara geri tepmeye karşı daima hazırlıklı olun. Geri tepme kısmına bakın.**
7. **Kullanılmadığında, bıçağa bıçak kapağını takın. Çalışmaya başlamadan önce kapağı çıkarın.**

## Geri tepme (Bıçak itmesi)

1. **Geri tepme (bıçak itmesi) sıkışan veya tutukluk yapan kesici bıçağa karşı ani bir tepkidir. Meydana geldiğinde alet sağa veya sola ya da operatöre doğru büyük bir güçle atılır ve ciddi yaralanmaya neden olabilir.**
2. **Geri tepme özellikle bıçak bölümünü, çapı 3 cm veya daha büyük olan sert cisimlere, çalılara ve ağaçlara saat 12 ila 2 yönünde uygularken oluşur.**

### ► Şek.2

3. **Geri tepmeden sakınmak için:**
  1. **Bıçak bölümünü saat 8 ila 11 yönünde uygulayın.**
  2. **Bıçak bölümünü asla saat 12 ila 2 yönünde uygulamayın.**
  3. **Kullanıcı iyi eğitilmiş ve deneyimli değilse ve riski kendi üzerine alarak yapmadığı sürece bıçak bölümünü asla saat 11 ila 12 ve 2 ila 5 yönünde uygulamayın.**
  4. **Kesici bıçakları asla çit, duvar, ağaç gövdesi veya taş gibi sert cisimlere yakın kullanmayın.**
  5. **Kesici bıçakları asla, kenar düzeltme ve çit budama gibi işlemler için dikey olarak kullanmayın.**

### ► Şek.3

## Titreşim

1. **Dolaşım sistemi zayıf olan kişiler aşırı titreşime maruz kaldıklarında kan damarları veya sinir sisteminde hasar oluşabilir. Titreşim parmaklarda, ellerde ve bileklerde şu semptomlara neden olabilir: "Uyuşma" (uyuşma), karıncalanma, ağrı, bıçak saplanıyor hissi, cilt renginde değişme. Bu semptomlardan herhangi biri ortaya çıkarsa, bir doktora görünün!**
2. **"Beyaz parmak hastalığı" riskini azaltmak için çalışma sırasında ellerinizi sıcak tutun ve alet ile aksesuarlara iyi bakın.**

## Taşıma

1. **Aleti taşımadan önce kapatın ve batarya kartuşunu çıkarın. Kapağı kesici parçaya takın.**
2. **Aleti taşıırken, şaftı tutarak yatay konumda taşıyın.**
3. **Aleti bir araçta taşıırken devrilmesini önlemek için düzgün bir şekilde sabitleyin. Aksi takdirde alet ve diğer eşyalar zarar görebilir.**

## Bakım

1. Aletiniz yetkili servis merkezimizce, daima yalnızca orijinal yedek parçalar kullanılarak servis yaptırın. Yanlış onarım ve kötü bakım aletin ömrünü kısaltabilir ve kaza riskini artırabilir.
2. Herhangi bir bakım veya tamir işlemi yapmadan ya da aleti temizlemeden önce daima aleti kapatın ve batarya kartuşunu çıkarın.
3. Kesici bıçakla uğraşırken daima koruyucu eldiven kullanın.
4. Aleti daima toz ve kire karşı temiz tutun. Bu iş için asla benzin, tiner, alkol ve benzeri maddeleri kullanmayın. Plastik parçalarda renk değişimi, deformasyon veya çatlaklar oluşabilir.
5. Her kullanımdan sonra tüm vidaları ve somunları sıkın.
6. Kullanma kılavuzunda anlatılmayan hiçbir bakım veya onarım işi yapmaya kalkışmayın. Bu tür işler için yetkili servis merkezimize başvurun.
7. Daima ve sadece orijinal yedek parçalar ve aksesuarlarımızı kullanın. Üçüncü taraflarca sağlanan parça veya aksesuarların kullanımı aletin arızalanması, eşyaların hasar görmesi ve/veya ciddi yaralanmaya neden olabilir.
8. Yetkili servis merkezimizden düzenli aralıklarla aletin kontrol edilmesini ve bakımının yapılmasını isteyin.
9. Aleti her zaman iyi çalışır durumda tutun. Yetersiz bakım düşük performansa neden olabilir ve aletin hizmet ömrünü kısaltabilir.

## Depolama

1. Aleti saklamadan önce, tam bir temizlik ve bakım yapın. Batarya kartuşunu çıkarın. Kapağı kesici bıçağa takın.
2. Aleti, çocukların ulaşamayacağı, kuru ve yüksek ya da kilitli bir yerde saklayın.
3. Aleti herhangi bir yere, örneğin duvara, dayamayın. Aksi takdirde aniden düşebilir ve yaralanmaya neden olabilir.

## İlk yardım

1. Yakında daima bir ilk yardım seti bulundurun. İlk yardım setinden alınan tüm malzemelerin yerini derhal doldurun.
2. Yardım isterken aşağıdaki bilgileri verin:
  - Kazanın yeri
  - Ne olduğu
  - Yaralı kişi sayısı
  - Yaralanma türü
  - Adınız

## Batarya kartuşu hakkında önemli güvenlik talimatları

1. Batarya kartuşunu kullanmadan önce, tüm talimatları ve (1) batarya kartuşu, (2) batarya ve (3) ürün üzerindeki tüm uyarı işaretlerini okuyun.
2. Batarya kartuşunu demonte etmeyin.
3. Çalışma süresi aşırı derecede kısalmışsa kullanmayı derhal bırakın. Aşırı ısınma, yanma riski hatta patlamaya neden olabilir.
4. Gözünüze elektrolit kaçarsa, gözlerinizi temiz suyla durulayın ve hemen tıbbi yardım alın. Görme kaybına yol açabilir.

5. Batarya kartuşuna kısa devre yaptırmayın:
  - (1) Terminallere herhangi bir iletken madde değdirmeyin.
  - (2) Batarya kartuşunu çiviler, madeni paralar, vb. gibi başka metal nesnelere aynı kaba koymaktan kaçının.
  - (3) Batarya kartuşunu yağmura ya da suya maruz bırakmayın.Kısa devre, büyük bir akım akışına, aşırı ısınmaya, olası yangınlara hatta bataryanın bozulmasına yol açabilir.
6. Aleti ve batarya kartuşunu sıcaklığın 50°C ya da daha yükseğe ulaştığı yerlerde saklamayın.
7. Aşırı derecede hasar görmüş ya da tamamen kullanılamaz durumda olsa bile batarya kartuşunu kullanmayın. Batarya kartuşu ateşe atılsa patlayabilir.
8. Bataryayı düşürmemeye ve çarpmamaya dikkat edin.
9. Hasarlı bataryayı kullanmayın.
10. Aletin içerdığı lityum-iyon bataryalar Tehlikeli Eşyalar Yönetmeliğinin gereksinimlerine tabidir. Ticari nakliye işlemleri için, örneğin üçüncü taraflar, nakliye acenteleri tarafından yapılan nakliyelerde, paketleme ve etiketleme gereksinimlerine uyulmalıdır. Nakliyesi yapılacak ürünün hazırlanması için, tehlikeli maddeler konusunda uzman bir kişiye danışın. Lütfen muhtemelen daha ayrıntılı olan ulusal yönetmeliklere de uyun. Açık kontakları bantlayın ya da maskeleyin ve bataryayı paketin içinde hareket etmeyecek şekilde paketlenin.
11. Batarya kartuşunu bertaraf ederken aletten çıkarın ve güvenli bir yerde bertaraf edin. Bataryanın bertaraf edilmesi ile ilgili yerel düzenlemelere uyunuz.
12. Bataryaları sadece Makita tarafından belirtilen ürünlerle kullanın. Bataryaların uyumsuz ürünlere takılması; yangın, aşırı ısınma, patlama ya da elektrolit sızıntısına neden olabilir.
13. Alet uzun süre kullanılmıyacaksa batarya aletten çıkarılmalıdır.

## BU TALİMATLARI MUHAFAZA EDİNİZ.

**⚠DİKKAT:** Sadece orijinal Makita bataryalarını kullanın. Orijinal olmayan Makita bataryaları ya da üzerine değişiklik yapılmış bataryaların kullanımı bataryanın patlamasına ve sonuç olarak yangın, kişisel yaralanma ve hasara neden olabilir. Ayrıca Makita aleti ve şarj aletinin Makita tarafından sunulan garantisi de geçersiz olur.

## Maksimum batarya ömrü için ipuçları

1. Batarya kartuşunu tamamen boşalmadan önce şarj edin. Aletin gücünün zayıflamaya başladığını fark ettiğinizde aleti durdurun ve batarya kartuşunu şarj edin.
2. Tam dolu bir batarya kartuşunu asla yeniden şarj etmeyin. Aşırı şarj etme bataryanın hizmet ömrünü kısaltır.
3. Batarya kartuşunu 10°C - 40°C oda sıcaklığında şarj edin. Sıcak bir batarya kartuşunu şarj etmeden önce soğumasını bekleyin.
4. Uzun bir süre (altı aydan daha fazla) kullanmadığınız durumlarda batarya kartuşunu şarj edin.

# PARÇALARIN TANIMI

## ► Şek.4

1	Hız göstergesi	2	ADT göstergesi (ADT = Automatic Torque Drive Technology (otomatik tork tahrik teknolojisi))	3	İkaz lambası	4	Ana güç düğmesi
5	Ters dönüş düğmesi	6	Batarya kartuşu	7	Güvenlik kilidi kolu	8	Anahtar tetik
9	Askı	10	Kol	11	Bariyer (ülkeye özgü)	12	Koruyucu
13	Kilitleme mandalı (sadeceDUR191U ve DUR191L)	14	Mafsal kapağı (sadeceDUR191U ve DUR191L)	15	Başlık (sadeceDUR191U ve DUR191L)	16	Omuz askısı

## İŞLEVSEL NİTELİKLER

**⚠UYARI:** Alet üzerinde ayarlama ya da işleyiş kontrolü yapmadan önce aletin kapalı ve batarya kartuşunun çıkartılmış olduğundan daima emin olun. Aletin kapatılmaması ve batarya kartuşunun çıkarılmaması istemsiz olarak aletin başlatılması sonucu ciddi kişisel yaralanmalara neden olabilir.

## Batarya kartuşunun takılması ve çıkarılması

**⚠DİKKAT:** Batarya kartuşunu takmadan ya da çıkarmadan önce aleti daima kapatın.

**⚠DİKKAT:** Batarya kartuşunu takarken veya çıkarırken aleti ve batarya kartuşunu sıkıca tutun. Aletin ve batarya kartuşunun sıkıca tutulmaması bunların düşürülmesine sebep olabilir ve alet ve batarya kartuşunun zarar görmesine ya da ciddi yaralanmasına yol açabilir.

► Şek.5: 1. Kırmızı gösterge 2. Düğme 3. Batarya kartuşu

Batarya kartuşunu çıkarmak için, kartuşun ön tarafındaki düğmeyi kaydırarak kartuşu aletten çıkarın.

Batarya kartuşunu takmak için, batarya kartuşu üzerindeki dili yuvanın çentiği ile hizalayın ve yerine oturtun. Hafif bir tık sesi duyulana kadar itip yerine tam oturmamasını sağlayın. Düğmenin üst tarafındaki kırmızı gösterge görünüyorsa tam yerine kilitlenmemiş demektir.

**⚠DİKKAT:** Batarya kartuşunu daima kırmızı gösterge görünmeyecek şekilde tam olarak takın. Yerine tam oturmazsa, aletten yanlışlıkla düşebilir, sizin ya da çevrenizdeki kişilerin yaralanmasına neden olabilir.

**⚠DİKKAT:** Batarya kartuşunu zorlayarak takmayın. Kartuş kolay bir şekilde kaymıyorsa doğru yerleştirilmemiş demektir.

## Alet/batarya koruma sistemi

Bu alet bir alet/batarya koruma sistemi ile donatılmıştır. Bu sistem motora giden gücü otomatik olarak keserek uzun alet ve batarya ömrü sağlar. Alet için aşağıdaki durumlardan biri söz konusu olduğunda aletin işleyişi otomatik olarak durur:

Renk	İkaz lambası		Durum
	● Açık	○ Yanıp sönüyor	
Kırmızı	●	○	Aşırı yüklenme
Kırmızı	●	○	Aşırı ısınma
Kırmızı	●	○	Aşırı boşaltma

## Aşırı yük koruması

Alet aşağıdaki durumlardan birine girerse otomatik olarak durur ve ikaz lambası kırmızı renkte yanıp sönmeye başlar:

- Aletin, takılan yabancı otlar ya da diğer birikintiler nedeniyle aşırı yüklenmesi.
- Kesici parçanın sıkışması veya geri tepmesi.
- Anahtar tetik çekilirken ana güç düğmesinin açılması.

Bu durumda anahtar tetiği bırakın ve gerekirse takılan yabancı otları veya birikintileri çıkarın. Ondan sonra anahtar tetiği tekrar çekerek çalışmaya devam edin.

**⚠DİKKAT:** Alete takılan yabancı otları çıkarmanız veya sıkışan kesici parçayı kurtarmanız gerekirse başlamadan önce aleti mutlaka kapatın.

## Alet veya batarya için aşırı ısınma koruması

Alet veya batarya kartuşu aşırı ısınırsa alet otomatik olarak durur. Alet veya batarya kartuşu aşırı ısındığında hız göstergesi ve ADT göstergesi söner ve ikaz lambası kırmızı yanar. Aleti yeniden çalıştırmadan önce aletin ve/veya bataryanın soğumasını sağlayın.

## Aşırı deşarj koruması

Batarya kapasitesi düştüğünde, alet otomatik olarak durur. Hız göstergesi ve ADT göstergesi söner ve ikaz lambası kırmızı yanıp sönmeye başlar. Anahtarlar kullanıldığında bile alet çalışmazsa batarya kartuşunu aletten çıkarıp şarj edin.

## Kalan batarya kapasitesinin gösterilmesi

### Sadece göstergeli batarya kartuşları için

► **Şek.6:** 1. Gösterge lambaları 2. Kontrol düğmesi

Kalan batarya kapasitesini göstermesi için batarya kartuşu üzerindeki kontrol düğmesine basın. Gösterge lambaları birkaç saniye yanar.

Gösterge lambaları			Kalan kapasite
Yanıyor	Kapalı	Yanıp sönmüyor	
■	□	■	%75 ila %100
■	■	□	%50 ila %75
■	□	□	%25 ila %50
■	□	□	%0 ila %25
■	□	□	Bataryayı şarj edin.
■	□	□	Batarya arızalanmış olabilir.

**NOT:** Kullanım koşullarına ve ortam sıcaklığına bağlı olarak, gösterilen değer gerçek kapasiteden biraz farklılık gösterebilir.

## Ana güç anahtarı

Aleti açmak için ana güç düğmesine basın. Aleti kapatmak için ana güç düğmesine basın ve hız göstergesi sönene dek basılı tutun.

► **Şek.7:** 1. Hız göstergesi 2. Ana güç düğmesi

**NOT:** Alet belirli bir süre işlem yapılmadan bırakılırsa otomatik olarak kapanır.

## Anahtar işlemi

**⚠UYARI:** Batarya kartuşunu alete takmadan önce, anahtar tetiğin düzgün çalıştığından ve bırakıldığında "OFF" (KAPALI) pozisyona döndüğünden emin olun. Anahtarları düzgün bir şekilde çalışmayan bir aletle işlem yapmak kontrolün kaybedilmesine ve ciddi kişisel yaralanmalara neden olabilir.

**⚠DİKKAT:** Taşıma sırasında parmağınızı asla anahtarın üzerine koymayın. Alet kazara çalışabilir ve yaralanmalara neden olabilir.

Anahtar tetiğin kaza sonucu çekilmesini önlemek için, bir güvenlik kilidi kolu sunulmuştur. Aleti başlatmak için, kolu kavrayın (güvenlik kilidi kolu kavramayla birlikte açılır) ve ardından anahtar tetiği çekin. Aleti durdurmak için anahtar tetiği serbest bırakın.

### DUR190U ve DUR191U

► **Şek.8:** 1. Güvenlik kilidi kolu 2. Anahtar tetik

### DUR190L ve DUR191L

► **Şek.9:** 1. Güvenlik kilidi kolu 2. Anahtar tetik

**NOT:** Alet belirli bir süre boyunca hiçbir işlem yapılmadan bırakılırsa otomatik olarak kapatılır.

## Hız ayarlama

Ana güç düğmesine dokunarak alet hızını seçebilirsiniz. Ana güç düğmesine her dokunuşunuzda, hız seviyesi değişir.

► **Şek.10:** 1. Hız göstergesi 2. Ana güç düğmesi 3. ADT göstergesi

Hız göstergesi	Mod	Dönüş hızı
	ADT	3.500 - 6.000 min <sup>-1</sup>
3 2 1	Yüksek	6.000 min <sup>-1</sup>
3 2 1	Orta	5.100 min <sup>-1</sup>
3 2 1	Düşük	3.500 min <sup>-1</sup>

**NOT:** ADT'yi (Otomatik Tork Tahrik Teknolojisi) ayarladığımızda ADT göstergesi açılır ve alet, kesilen çimin durumuna göre optimum dönüş hızı ve torkta çalışır.

## Birikintilerin giderilmesi için ters dönüş düğmesi

**⚠UYARI:** Alete takılan ve ters dönüş işleviyle giderilemeyen yabancı otları veya birikintileri gidermek için aleti kapalı duruma getirin ve batarya kartuşunu çıkarın. Aletin kapatılmaması ve batarya kartuşunun çıkarılmaması istemsiz olarak aletin başlatılması sonucu ciddi kişisel yaralanmalara neden olabilir.

Bu makinenin dönme yönünü değiştirmek için ters dönüş düğmesi vardır. Bu düğme sadece alete takılan yabancı otları ve birikintileri gidermek için kullanılır. Dönüşü tersine çevirmek için, ters dönüş düğmesine basın ve kesici parça durduğunda güvenlik kilidi koluna bastırarak anahtar tetiği çekin. Hız göstergeleri ve ADT göstergesi yanıp sönmeye başlar ve anahtar tetiği çektiğinizde kesici parça ters yönde döner. Normal dönüşe geri dönmek için, anahtar tetiği bırakın ve kesici parça durana kadar bekleyin.

► **Şek.11:** 1. Hız göstergesi 2. ADT göstergesi 3. Ters dönüş düğmesi

**NOT:** Ters dönüş sırasında, alet sadece kısa bir süre için çalışır ve ardından otomatik olarak durur.

**NOT:** Alet durduktan sonra tekrar başlatıldığında dönüş normal yönde devam eder.

**NOT:** Kesici parça dönmeye devam ederken ters dönüş düğmesine basarsanız alet durur ve ters dönüş hazır olur.



## Elektrikli fren

Bu alet bir elektrikli fren ile donatılmıştır. Anahtar tetik bırakıldıktan sonra alet sürekli olarak çabucak durmuyorsa alete servis merkezimizde bakım yaptırın.

**⚠DİKKAT:** Bu fren sistemi, koruyucunun yerine geçmez. Aleti asla koruyucu olmadan kullanmayın. Koruyucusuz kesici parça, ciddi yaralanmaya neden olabilir.

## MONTAJ

**⚠UYARI:** Alet üzerinde herhangi bir işlem yapmadan önce aletin kapalı ve batarya kartuşunun çıkartılmış olduğundan daima emin olun. Aletin kapatılmaması ve batarya kartuşunun çıkarılmaması istemsiz olarak aletin başlatılması sonucu ciddi kişisel yaralanmalara neden olabilir.

**⚠UYARI:** Tüm parçalar birleştirilmeden asla aleti başlatmayın. Parçalar kısmen birleştirilmiş haldeyken aletle çalışmak, aletin istemsiz olarak başlatılması sonucu ciddi kişisel yaralanmalara neden olabilir.

## Kolun takılması

Sadece **DUR190U** ve **DUR191U** için

1. Kol şaftını sapa yerleştirin. Saptaki vida deliği ile şafttaki vida deliğini aynı hizaya getirin. Vidayı sağlam şekilde sıkın.  
▶ **Şek.12:** 1. Sap 2. Vida 3. Kol

2. Kolu, kol kelepçesi ile kol yuvası arasına yerleştirin. Kolu konforlu çalışma konumu sağlayacak bir açığa ayarlayın ve ardından altıgen başlı civatalarla sabitleyin.  
▶ **Şek.13:** 1. Altıgen başlı civata 2. Kol kelepçesi 3. Kol yuvası

## Bariyerin takılması

**DUR190L** ve **DUR191L** için

Modelinizde bariyer varsa bariyer üzerindeki vidayı kullanarak kola monte edin.

▶ **Şek.14:** 1. Bariyer 2. Vida

**⚠DİKKAT:** Bariyeri monte ettikten sonra çıkarmayın. Bariyer, kesici bıçağa kazara dokunmanızı engellemek için bir güvenlik parçası olarak çalışır.

## Ek borunun takılması

Sadece **DUR191U** ve **DUR191L** için

Ek boruyu ana üniteye takın.

1. Mandalı, şekilde gösterildiği gibi ok yönünde döndürün.  
▶ **Şek.15:** 1. Mandal

2. Mafsal kapağını çekerek kaldırın ve boru üzerindeki çıkıntıyı (kesici parça tarafı) mafsal parçasının çukur kısmı ile hizalayarak ek boruyu takın.  
▶ **Şek.16:** 1. Kilitleme mandalı 2. Mafsal kapağı 3. Boru

Kilitleme mandalının yüzeyinin boruya paralel olduğundan emin olun.

3. Mandalı, şekilde gösterildiği gibi ok yönünde döndürün.  
▶ **Şek.17:** 1. Mandal

Boruyu çıkarmak için, mandalı şekilde gösterildiği gibi ok yönde döndürün ve kilitleme mandalına basarken boruyu çekip çıkarın.

▶ **Şek.18:** 1. Mandal 2. Kilitleme mandalı 3. Boru

## Koruyucunun takılması

**⚠UYARI:** Siper gösterilen yerde olmadan asla aleti kullanmayın. Aleti koruyucu olmadan kullanmak ciddi kişisel yaralanmalara sebep olabilir.

**⚠DİKKAT:** Misininin kesilmesi için kullanılan kesiciyle kendinizi yaralamamaya dikkat edin.

Koruyucuyu civataları kullanarak klemp monte edin.

▶ **Şek.19:** 1. Klemp 2. Koruyucu 3. Kesici

## Kesici parçanın takılması

**NOT:** Standart aksesuar olarak verilen kesici parça(-lar)nın türü, ülkelere göre değişir. Kesici parça bazı ülkelerde ürünle verilmez.

**NOT:** Kesici parça kolay bir şekilde değiştirebilmek için aleti baş aşağı çevirin.

## Kesici bıçak

**⚠DİKKAT:** Kesici bıçakla işlem yaparken daima eldiven giyin ve bıçak kapağını bıçağın üzerine takın.

**⚠DİKKAT:** Kesici bıçak iyi taşlanmış olmalı, üzerinde çatlak veya kırık bulunmamalıdır. Kesici bıçak çalışma sırasında bir taş çarparsa hemen aleti durdurun ve kesici bıçağı kontrol edin.

**⚠DİKKAT:** Her zaman teknik özellikler kısmında tanımlanan çapta kesici bıçak kullanın.

▶ **Şek.20:** 1. Somun 2. Kap 3. Sıkma pulu 4. Kesici bıçak 5. Mil 6. Siper 7. Mil kilitleme düğmesi

1. Kesici bıçağı sipere, kesici bıçak ile koruyucu üzerindeki oklar aynı yönü gösterecek şekilde monte edin.  
▶ **Şek.21:** 1. Ok

2. Sıkma pulunu ve kabı, kesici bıçağın üzerine yerleştirin.

3. Mil kilitleme düğmesini basılı tutarak somunu lokma anahtarı ile iyice sıkın.

▶ **Şek.22:** 1. Mil kilitleme düğmesi 2. Lokma anahtarı 3. Gevşetin 4. Sıkın

Kesici bıçağı çıkarmak için mil kilitleme düğmesini basılı tutarak somunu gevşetin.

## Misinalı kesim başlığı

**ÖNEMLİ NOT:** Orijinal Makita misinalı kesim başlığı kullandığınızdan emin olun.

Mil kilitleme düğmesini basılı tutarken misinalı kesim başlığını milin üzerine yerleştirin ve elle iyice sıkın.  
► **Şek.23:** 1. Misinalı kesim başlığı 2. Mil 3. Mil kilitleme düğmesi 4. Gevşetin 5. Sıkın

Misinalı kesim başlığını çıkarmak için mil kilitleme düğmesini basılı tutarak misinalı kesim başlığını gevşetin.

## Plastik bıçak

**ÖNEMLİ NOT:** Orijinal Makita plastik bıçak kullandığınızdan emin olun.

Mil kilitleme düğmesini basılı tutarken plastik bıçağı milin üzerine yerleştirin ve elle iyice sıkın.  
► **Şek.24:** 1. Plastik bıçak 2. Mil 3. Mil kilitleme düğmesi 4. Gevşetin 5. Sıkın

Plastik bıçağı çıkarmak için mil kilitleme düğmesini basılı tutarak plastik bıçağı gevşetin.

**NOT:** Kesici parçayı takmak/çıkarmak için verilen altıgen anahtarları kullanabilirsiniz. Mili sabitlemek için altıgen anahtarları şekilde gösterildiği gibi deliğe sokun.

► **Şek.25:** 1. Altıgen anahtar 2. Delik

**⚠DİKKAT:** Kesici parçayı takmak/çıkarmak için daima verilen anahtarları kullanın.

**⚠DİKKAT:** Kesici parçayı taktıktan sonra aletin kafasına takılı altıgen anahtarları mutlaka çıkarın.

## Kol/askı konumunun ayarlanması

Aleti rahat bir şekilde kullanabilmek için kol ve askı konumunu ayarlayın.

### DUR190U ve DUR191U için

Kol/askı konumunu, alet aşağıda gösterildiği gibi aralığın içine girecek şekilde ayarlayın.

► **Şek.26**

1	Yerden askı konumu
2	Yerden kesici parça konumu
3	Askı ile kesici parçanın sipersiz kısmı arasındaki yatay mesafe

Kol yuvasının altındaki altıgen başlı civataları gevşetin. Kolu rahat bir çalışma konumuna taşıyın ve ardından civataları sıkın.

► **Şek.27:** 1. Kol yuvası 2. Altıgen başlı civata 3. Kol

Askı üzerindeki altıgen başlı civataları gevşetin. Askıyı rahat bir çalışma konumuna taşıyın ve ardından civataları sıkın.

► **Şek.28:** 1. Altıgen başlı civata 2. Askı

### DUR190L ve DUR191L için

Kol üzerindeki altıgen başlı civataları gevşetin. Kolu rahat bir çalışma konumuna taşıyın ve ardından civataları sıkın.

► **Şek.29:** 1. Altıgen başlı civata 2. Kol

Askı üzerindeki altıgen başlı civatayı gevşetin. Askıyı rahat bir çalışma konumuna taşıyın ve ardından civatayı sıkın.

► **Şek.30:** 1. Altıgen başlı civata 2. Askı

## Altıgen anahtarın saklanması

Kullanılmadığı zamanlarda, altıgen anahtarın kaybolmasını önlemek için anahtarları şekilde gösterildiği gibi saklayın.

► **Şek.31:** 1. Altıgen anahtar

### Sadece DUR190L ve DUR191L için

► **Şek.32:** 1. Kol 2. Altıgen anahtar

## KULLANIM

### Omuz askısının takılması

**⚠DİKKAT:** Omuz askısı daima alete takılı kullanın. Kullanmadan önce, yorgunluğu önlemek için omuz askısının kullanıcının boyutlarına göre ayarlayın.

**⚠DİKKAT:** Çalıştırmadan önce omuz askısının aletin üzerindeki askıya düzgün bir şekilde takıldığından emin olun.

Omuz askısının kancasını askıya bağlayın ve omuz askısını takın. Omuz askısının aleti sıkıca tuttuğundan emin olun.

### DUR190U ve DUR191U

► **Şek.33:** 1. Kanca 2. Askı

### DUR190L ve DUR191L

► **Şek.34:** 1. Kanca 2. Askı

## Çıkarma

Omuz askısı hızlı açılıma özelliğine sahiptir.

### DUR190U ve DUR191U

► **Şek.35:** 1. Şerit

Aleti omuz askısından çıkarmak için şeridi çekin.

### DUR190L ve DUR191L

► **Şek.36:** 1. Toka

Aleti omuz askısından çıkarmak için tokenın yan kısımlarına bastırmanız yeterlidir.

## Aletin doğru tutulması

**⚠UYARI:** Aleti daima sağ tarafınızda tutun. Aleti doğru konumlandırmak maksimum kontrol sağlar ve geri tepmeden kaynaklanan ciddi kişisel yaralanma tehlikesini azaltır.

**⚠UYARI:** Aletin kontrolünün her zaman sizde olması için son derece dikkatli olun. Aletin, size veya çalıştığınız çevredeki herhangi birine doğru dönmesine izin vermeyin. Aleti kontrol altında tutmamak çevredeki kilerin ve kullanıcının ciddi bir şekilde yaralanmasına neden olabilir.

**⚠UYARI:** Kazayı önlemek için, bir alanda iki veya daha fazla operatör çalışırken operatörler arasında en az 15 m mesafe bırakın. Ayrıca, bir kişi operatörler arasındaki mesafeyi gözlemlemekle görevlendirin. Çalışma alanına bir kişi ya da hayvan girerse çalışmayı derhal durdurun.



**⚠DİKKAT:** Kesici parça, çalışma sırasında kazara bir kayaya ya da sert bir nesneye çarparsa aleti durdurun ve hasar olup olmadığını kontrol edin. Kesici parça hasar görmüşse hemen değiştirin. Hasarlı kesici parça kullanmak ciddi yaralanmaya neden olabilir.

**⚠DİKKAT:** Çim keserken bıçak kapağını kesici bıçaktan çıkarın.

Doğru konumlandırma ve tutma, ideal kontrol sağlar ve geri tepmeden kaynaklanan yaralanma riskini azaltır.

**DUR190U ve DUR191U**

► Şek.37

**DUR190L ve DUR191L**

► Şek.38

**Misinali kesim başlığı (çarpmalı besleme türü) kullanırken**

Misinali kesim başlığı, çarpmalı besleme mekanizmasına sahip çift misinali bir tirpan başlığıdır.

Misinalı dışa doğru uzatmak için, kesim başlığı dönmekteyken başlığı yere vurun.

► Şek.39: 1. En etkin kesim alanı

**ÖNEMLİ NOT:** Misinali kesim başlığı dönmüyorsa, çarpmalı besleme düzgün çalışmayacaktır.

**NOT:** Eğer misina, kesim başlığını yere vururken dışa doğru uzamıyorsa, bakım kısmındaki prosedürleri izleyerek misinalı tekrar sarın ya da yenisiyle değiştirin.

## BAKIM

**⚠UYARI:** Alet üzerinde kontrol ya da bakım yapmadan önce aletin kapalı ve batarya kartuşunun çıkartılmış olduğundan daima emin olun. Aletin kapatılmaması ve batarya kartuşunun çıkarılmaması istemsiz olarak aletin başlatılması sonucu ciddi kişisel yaralanmalara neden olabilir.

**ÖNEMLİ NOT:** Benzin, tiner, alkol ve benzeri maddeleri kesinlikle kullanmayın. Renk değişimi, deformasyon veya çatlaklar oluşabilir.

Aleti EMNİYETLİ ve ÇALIŞMAYA HAZIR durumda tutmak için onarımlar, başka her türlü bakım ve ayarlamalar daima Makita yedek parçaları kullanılarak Makita yetkili servis merkezleri veya Fabrikanın Servis Merkezleri tarafından yapılmalıdır.

## Misinanın değiştirilmesi

**⚠UYARI:** Sadece bu kullanma kılavuzunda belirtilen çapta misina kullanın. Asla daha ağır sicim, metal tel, ip ya da benzerini kullanmayın. Aksi takdirde aletin hasar görmesine neden olabilir ve ciddi yaralanmalara yol açabilir.

**⚠UYARI:** Misinalı kesim başlığını aletten mutlaka çıkarın.

**⚠UYARI:** Misinalı kesim başlığı kapağının bu kullanma kılavuzunda açıklandığı gibi gövdeye doğru şekilde sabitlendiğinden emin olun.

Kapağın sağlam şekilde takılmaması, misinalı kesim başlığının çıkarak ciddi yaralanmalara yol açmasına neden olabilir.

Daha fazla beslenmiyorsa misinalı değiştirin. Misina değiştirme yöntemi misinalı kesim başlığı türüne göre değişir.

## 95-M10L

► Şek.40

## Plastik bıçağın değiştirilmesi

Plastik bıçak aşınır veya kırılırsa yenisiyle değiştirin.

► Şek.41

Plastik bıçağı takarken, bıçak üzerindeki okun yönünü koruyucununun ile aynı hizaya getirin.

► Şek.42: 1. Koruyucu üzerindeki ok 2. Bıçak üzerindeki ok

# SORUN GİDERME

Onarım için servise gitmeden önce kontrolleri yapın. Kılavuzda açıklanmayan bir problemle karşılaşırsanız aleti demonte etmeyin. Bunun yerine, Makita Yetkili Servis Merkezlerine başvurun ve daima orijinal Makita yedek parçaları kullanın.

Anormal durum	Olası nedeni (arıza)	Çözümü
Motor çalışmıyor.	Batarya kartuşu takılı değil.	Batarya kartuşunu takın.
	Batarya sorunu (voltaj yetersiz)	Bataryayı şarj edin. Şarj etmek işe yaramıyorsa, bataryayı değiştirin.
	Sürüş sistemi doğru işlemiyor.	Yerel yetkili servis merkezinizden tamir etmelerini isteyin.
Kısa bir kullanımdan sonra motor duruyor.	Bataryanın şarj seviyesi düşük.	Bataryayı şarj edin. Şarj etmek işe yaramıyorsa, bataryayı değiştirin.
	Aşırı ısınma.	Aleti kullanmayı durdurun ve soğumasını bekleyin.
Alet maksimum devre ulaşmıyor.	Batarya düzgün takılmamış.	Batarya kartuşunu bu kılavuzda açıklandığı gibi takın.
	Batarya gücü düşüyor.	Bataryayı şarj edin. Şarj etmek işe yaramıyorsa, bataryayı değiştirin.
	Sürüş sistemi doğru işlemiyor.	Yerel yetkili servis merkezinizden tamir etmelerini isteyin.
Kesici parça dönmüyor: ⇒ makineyi hemen durdurun!	Siper ve kesici parça arasına yabancı bir cisim, örneğin bir dal parçası takılmış.	Yabancı cismi çıkarın.
	Sürüş sistemi doğru işlemiyor.	Yerel yetkili servis merkezinizden tamir etmelerini isteyin.
Olağan dışı titreşim: ⇒ makineyi hemen durdurun!	Misinin bir ucu kırılmış.	Misinalı kesim başlığı dönerken başlığı yere vurarak kordonun uzamasını sağlayın.
	Sürüş sistemi doğru işlemiyor.	Yerel yetkili servis merkezinizden tamir etmelerini isteyin.
Kesici parça ve motor durmuyor: ⇒ Bataryayı hemen çıkarın!	Elektriksel veya elektronik arıza.	Bataryayı çıkarın ve yerel yetkili servis merkezinizden tamir etmelerini isteyin.

## İSTEĞE BAĞLI AKSESUARLAR

**⚠ UYARI:** Sadece bu kılavuzda belirtilmiş olan tavsiye edilen aksesuarları veya ek parçaları kullanın. Başka aksesuar veya ek parça kullanımı ciddi yaralanmalara yol açabilir.

**⚠ DİKKAT:** Bu aksesuarlar ve ek parçalar bu el kitabında belirtilen Makita aletiniz ile kullanılmak için tavsiye edilmektedir. Herhangi başka bir aksesuar ya da ek parça kullanılması insanlar için bir yaralanma riski getirebilir. Aksesuarları ya da ek parçaları yalnızca belirtilmiş olan kullanım amaçlarına uygun olarak kullanın.

Bu aksesuarlarla ilgili daha fazla bilgiye ihtiyaç duyarsanız bulunduğunuz yerdeki yetkili Makita servisine başvurun.

- Kesici bıçak
- Misinalı kesim başlığı
- Misina (kesici ip)
- Plastik bıçak
- Orijinal Makita batarya ve şarj aleti

**NOT:** Listedeki parçaların bazıları alet paketi içerisinde standart aksesuar olarak dahil edilmiş olabilir. Bunlar ülkeden ülkeye farklılık gösterebilir.



**Makita Europe N.V.** Jan-Baptist Vinkstraat 2,  
3070 Kortenberg, Belgium

**Makita Corporation** 3-11-8, Sumiyoshi-cho,  
Anjo, Aichi 446-8502 Japan

[www.makita.com](http://www.makita.com)

885790-991  
EN, FR, DE, IT, NL,  
ES, PT, DA, EL, TR  
20191209