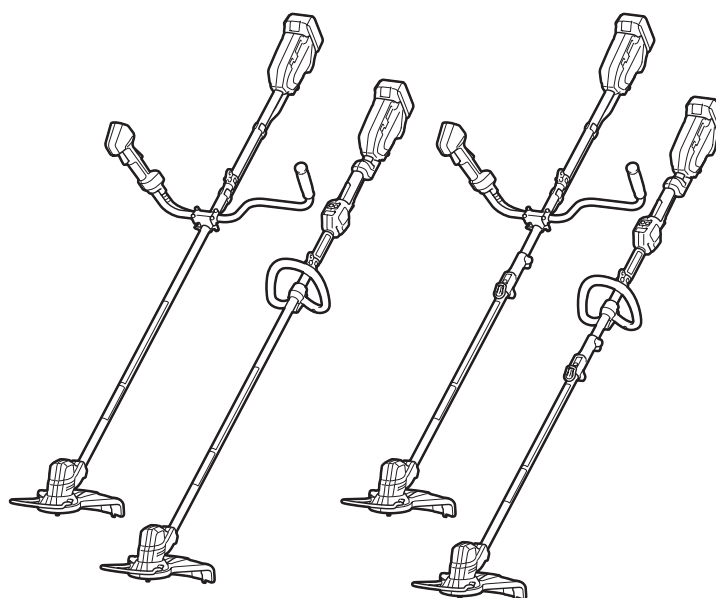




EN	Cordless Grass Trimmer	INSTRUCTION MANUAL	10
FR	Coupe herbe sans fil	MANUEL D'INSTRUCTIONS	20
DE	Akku-Rasentrimmer	BETRIEBSANLEITUNG	31
IT	Tagliabordi a batteria	ISTRUZIONI PER L'USO	42
NL	Accugrastrimmer	GEBRUIKSAANWIJZING	53
ES	Cortador Inalámbrico de Pasto	MANUAL DE INSTRUCCIONES	64
PT	TESOURA PARA GRAMA A BATERIA	MANUAL DE INSTRUÇÕES	75
DA	Akku græstrimmer	BRUGSANVISNING	86
EL	Φορητό κουρευτικό γκαζόν	ΕΓΧΕΙΡΙΔΙΟ ΟΔΗΓΙΩΝ	96
TR	Akülü Yan Tırpan	KULLANMA KILAVUZU	107

DUR187U
DUR187L
DUR188U
DUR188L



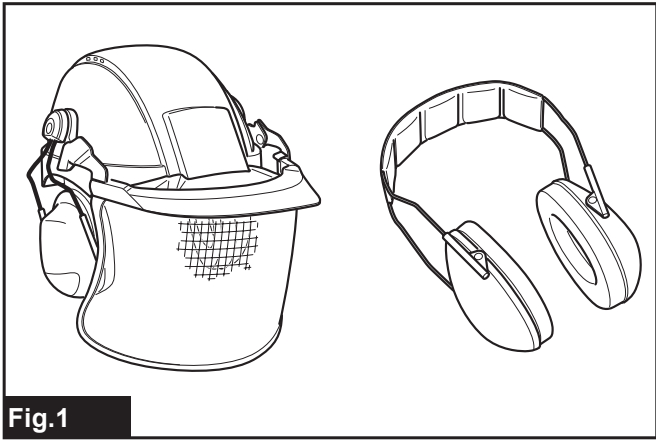


Fig.1

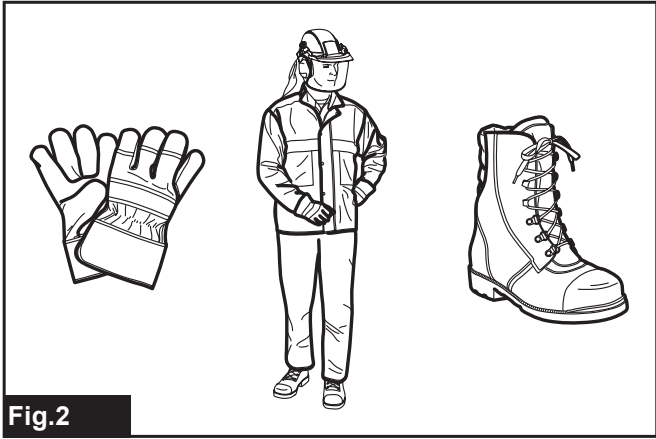


Fig.2

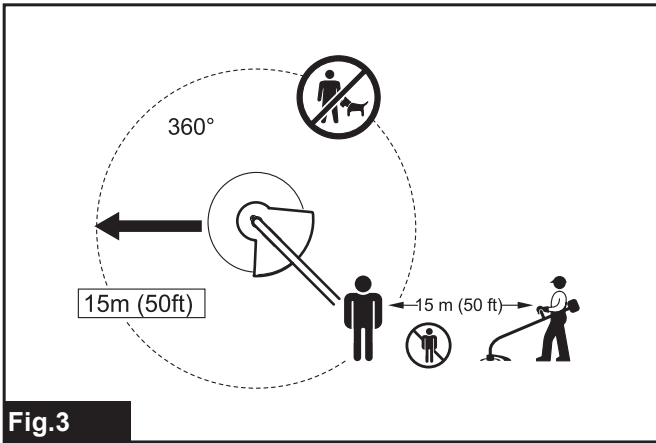


Fig.3

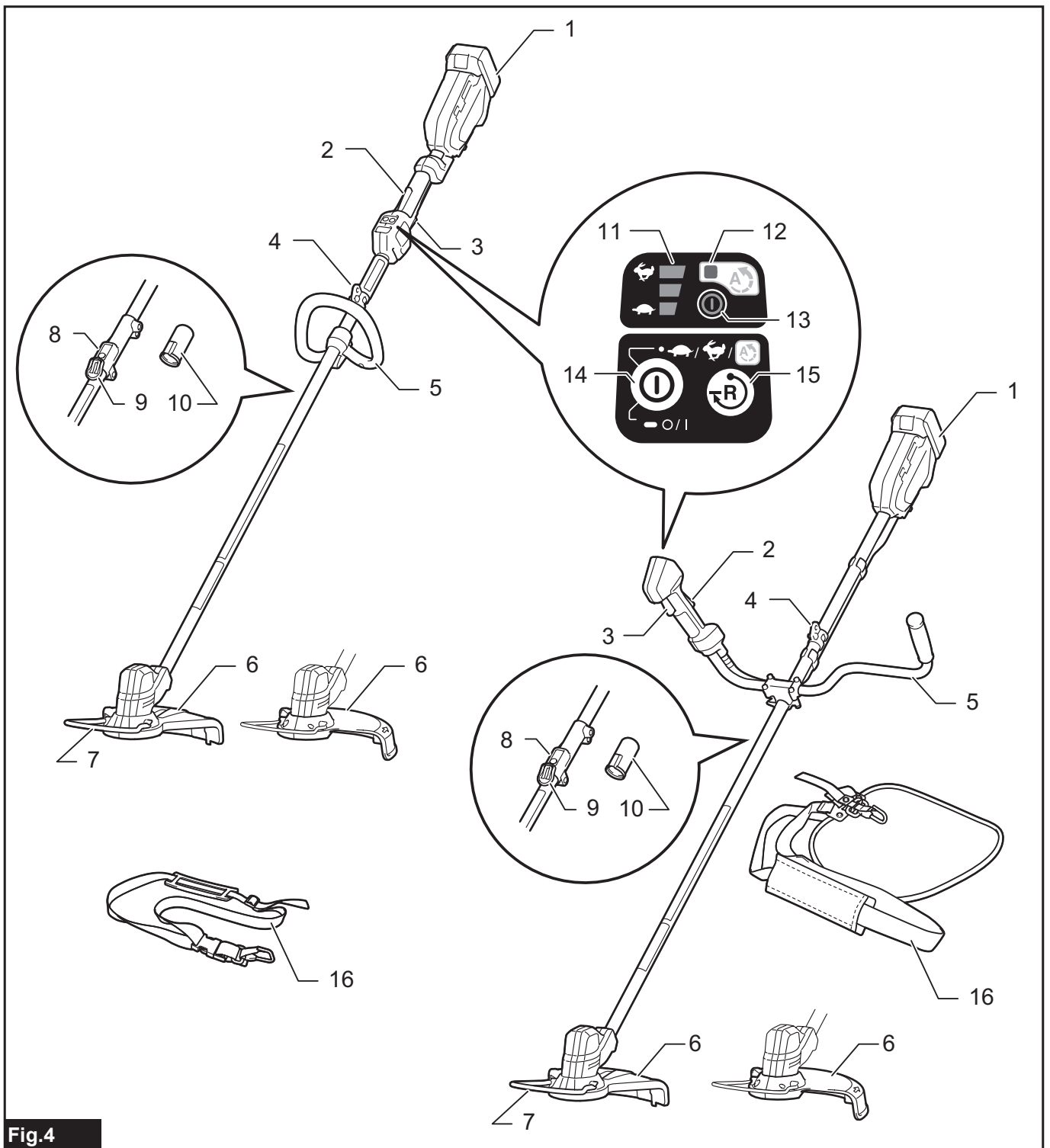


Fig.4

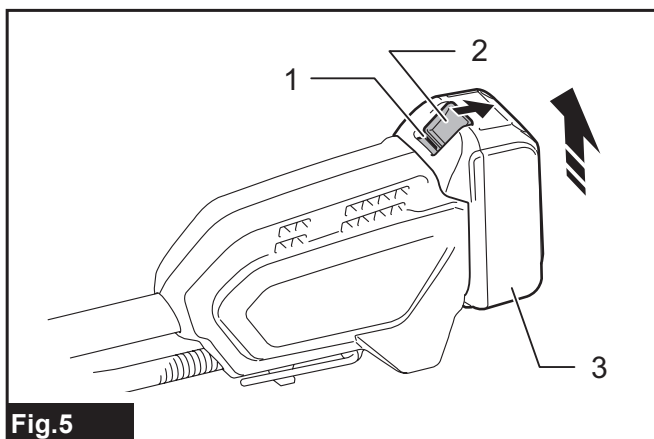


Fig.5

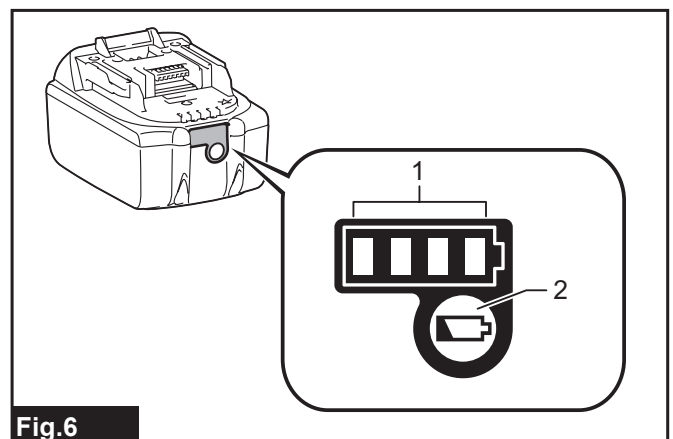


Fig.6

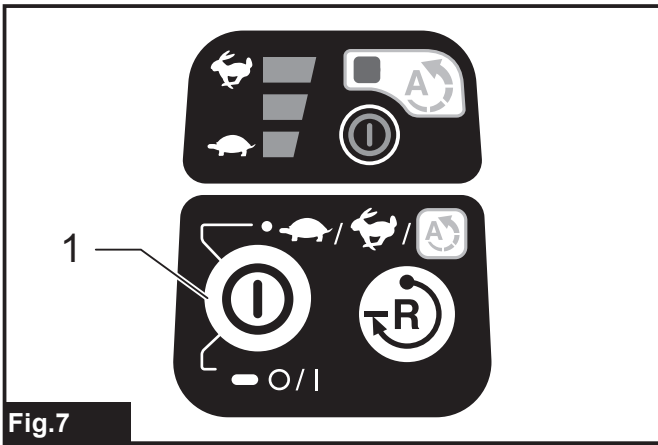


Fig.7

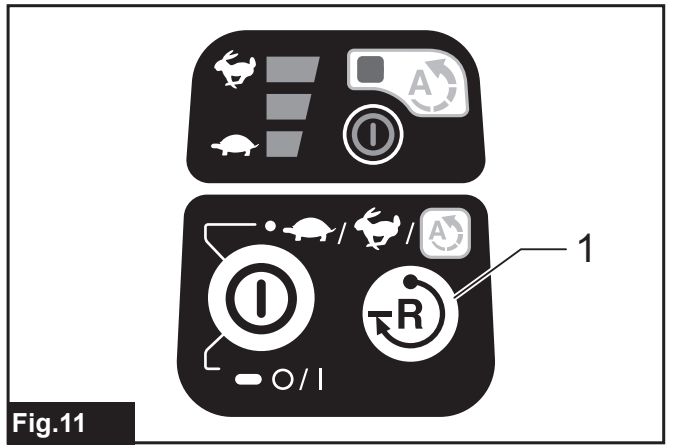


Fig.11

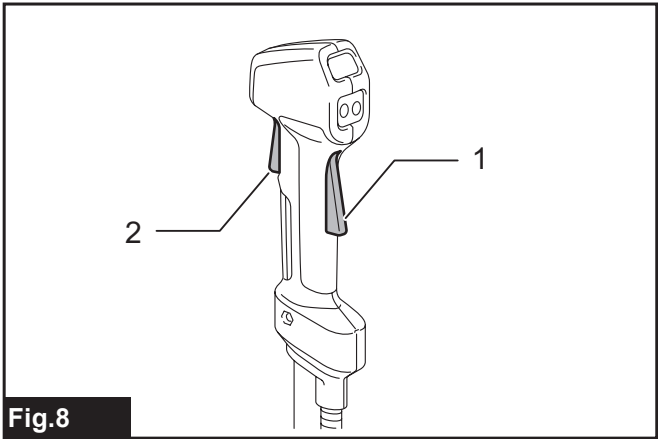


Fig.8

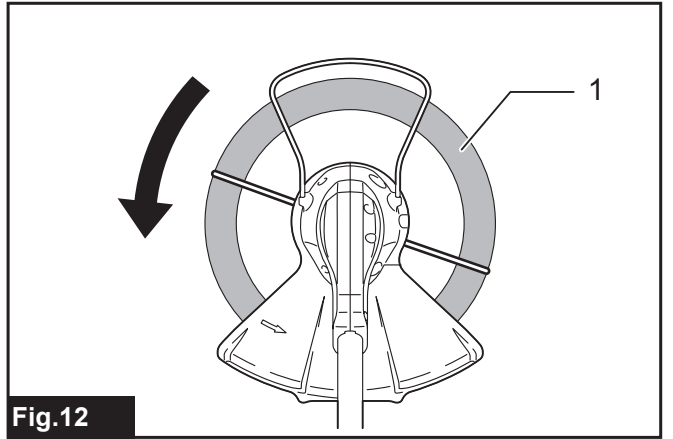


Fig.12

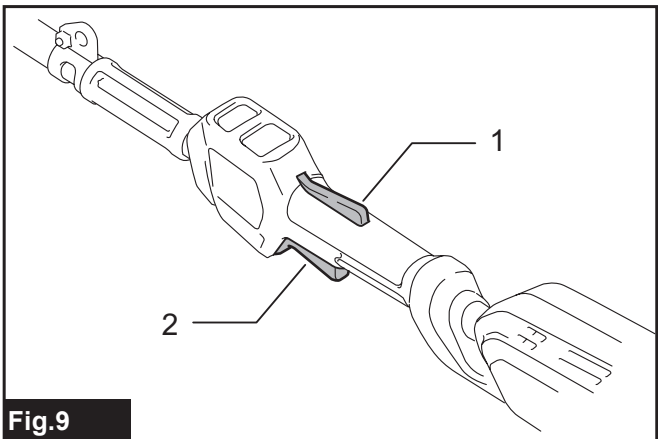


Fig.9

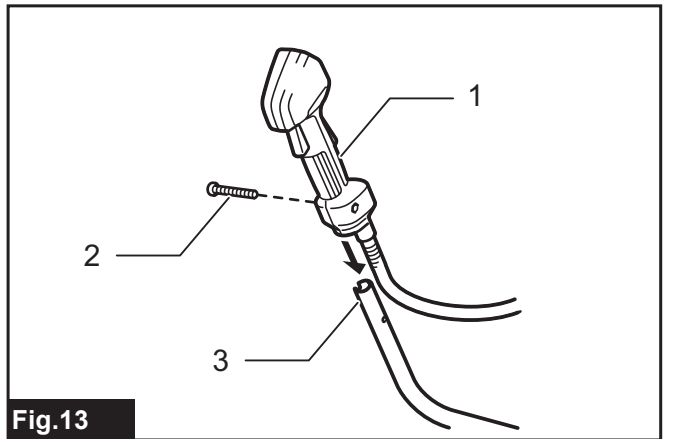


Fig.13

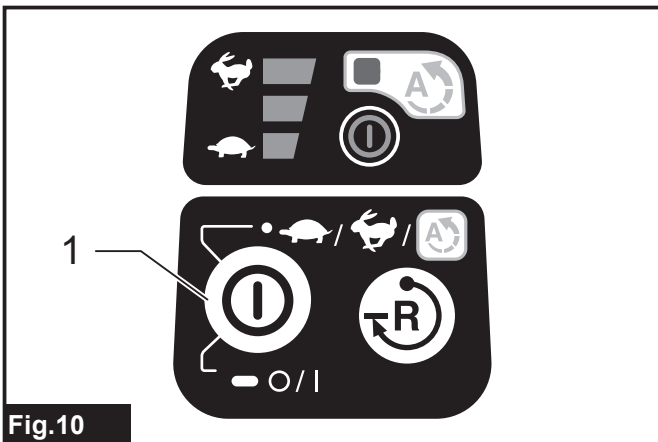


Fig.10

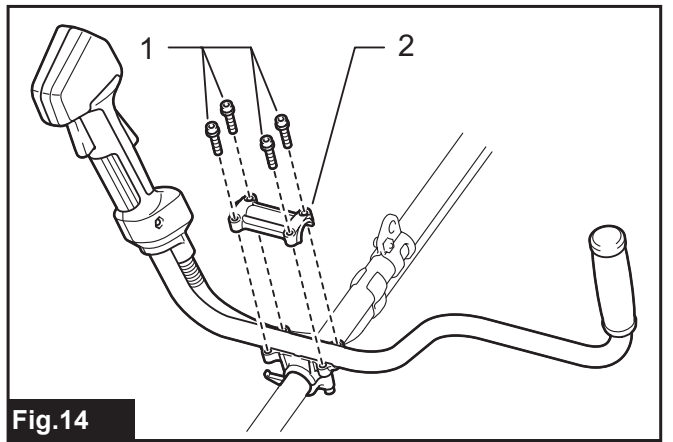
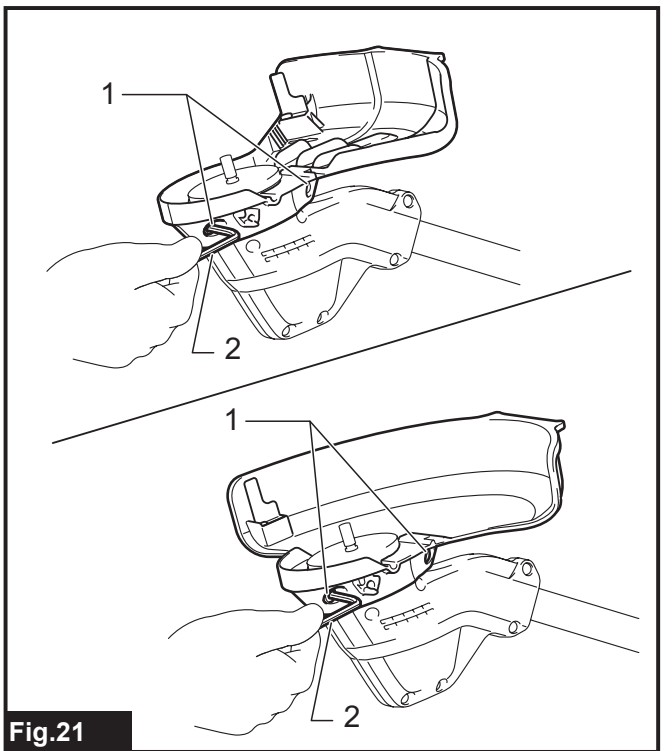
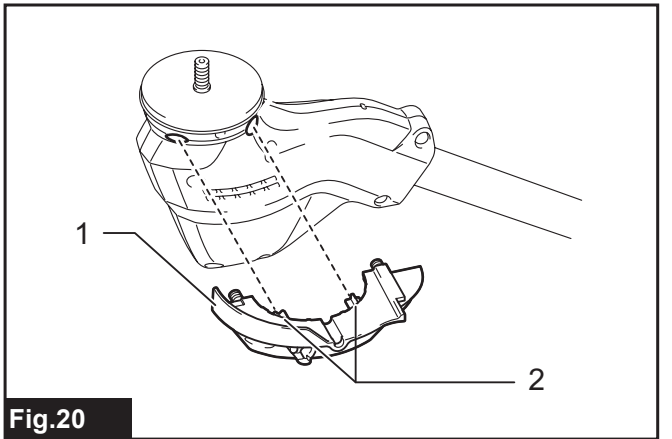
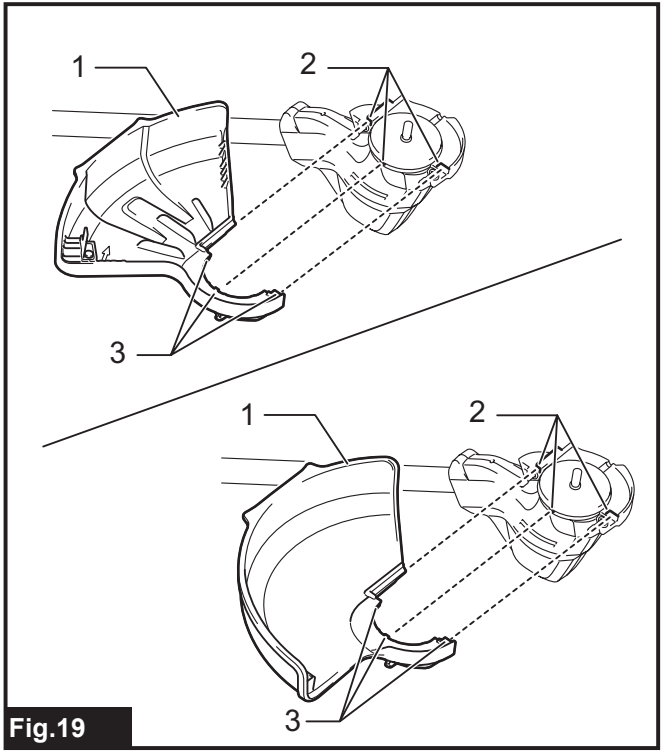
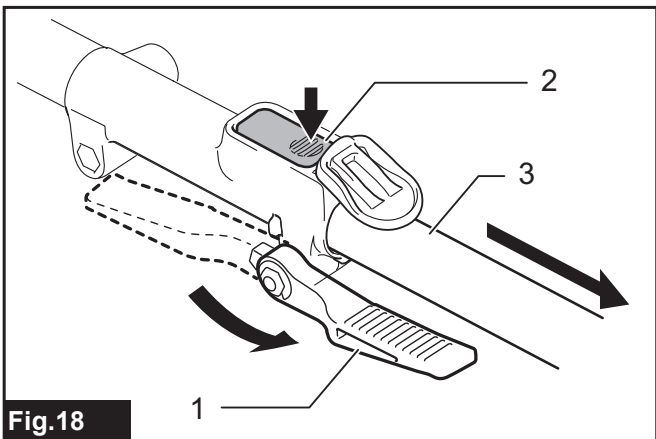
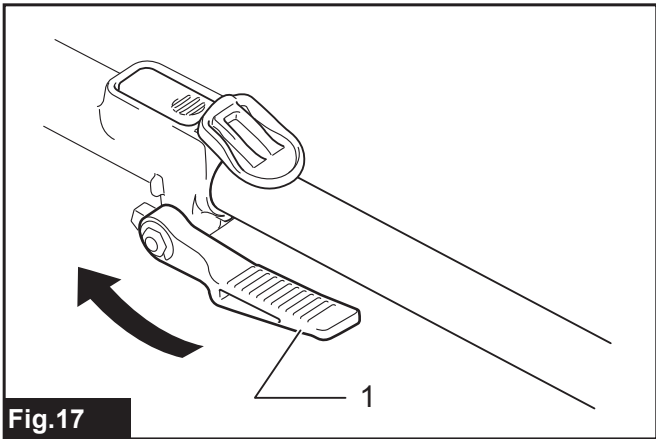
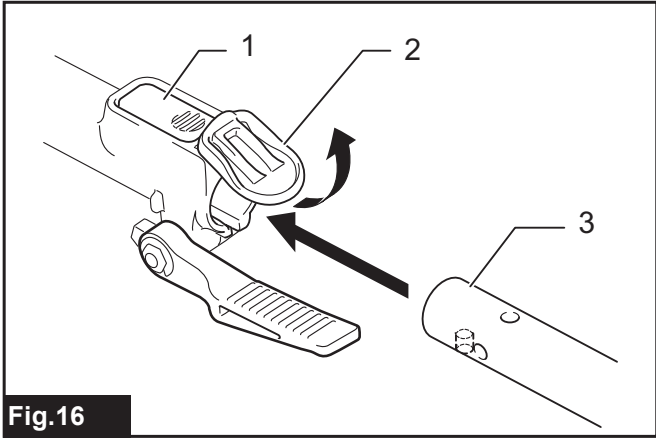
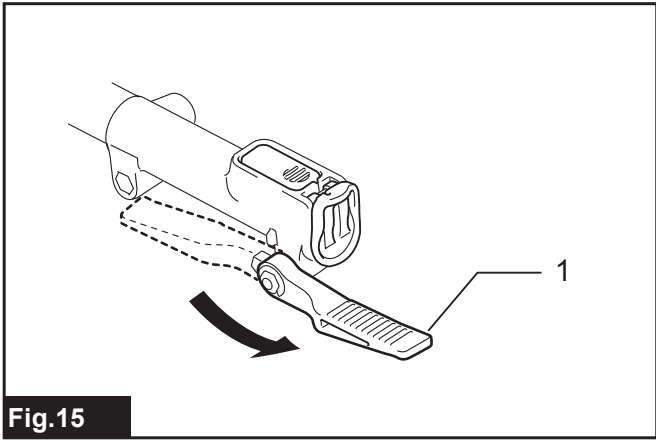


Fig.14



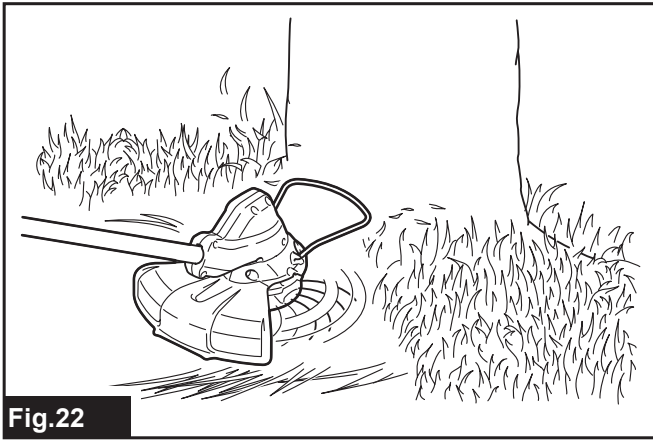


Fig.22

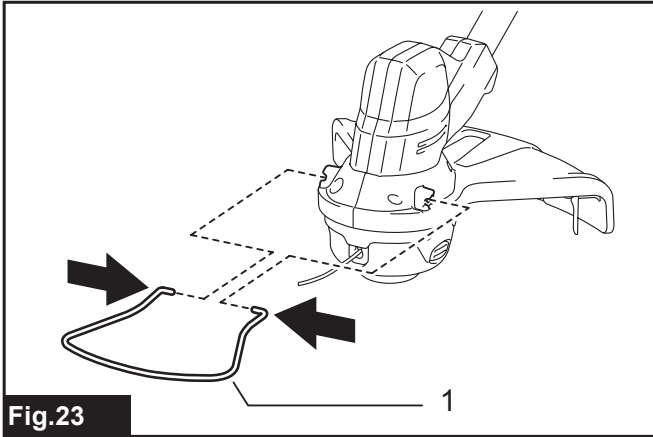


Fig.23

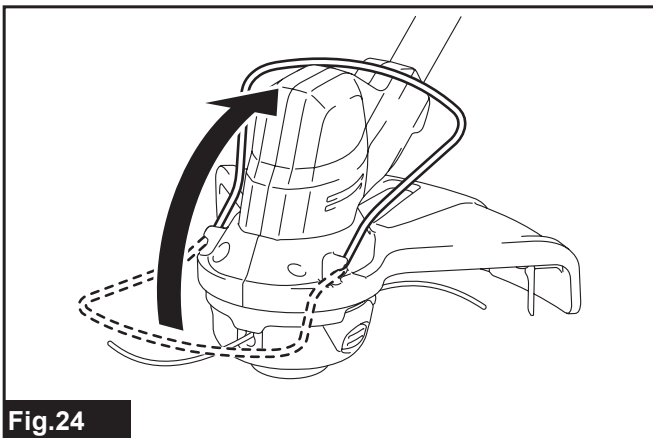


Fig.24

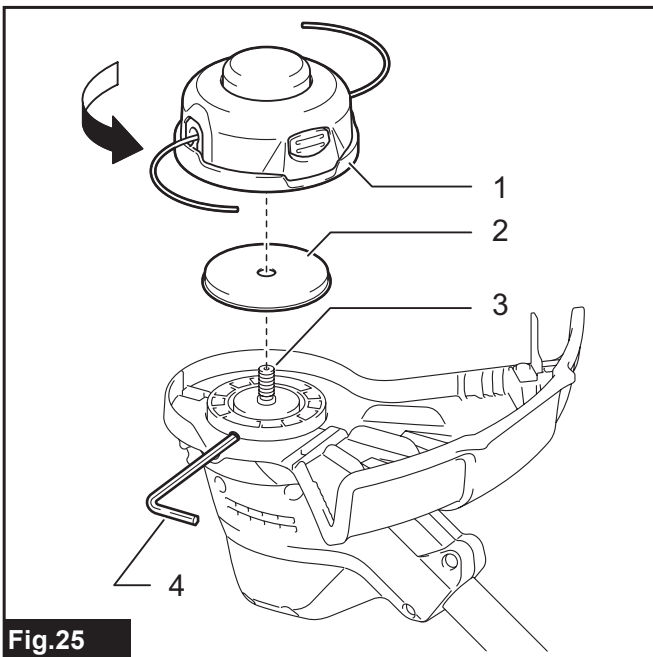


Fig.25

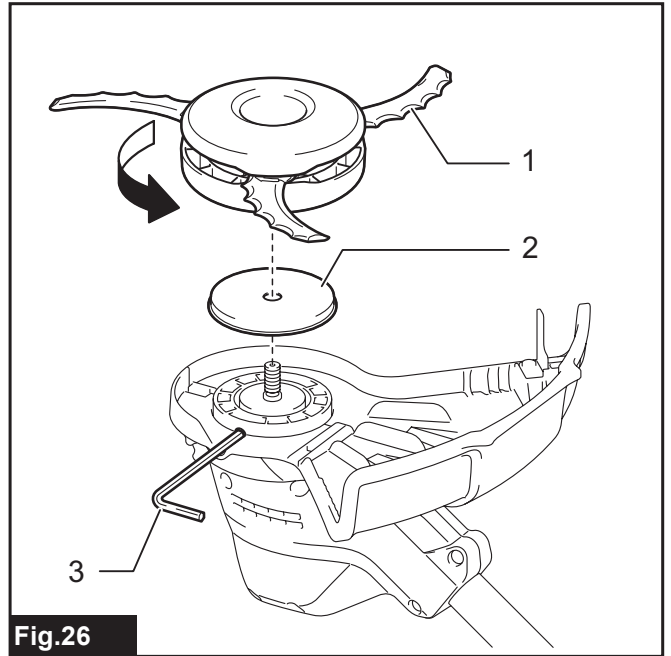


Fig.26

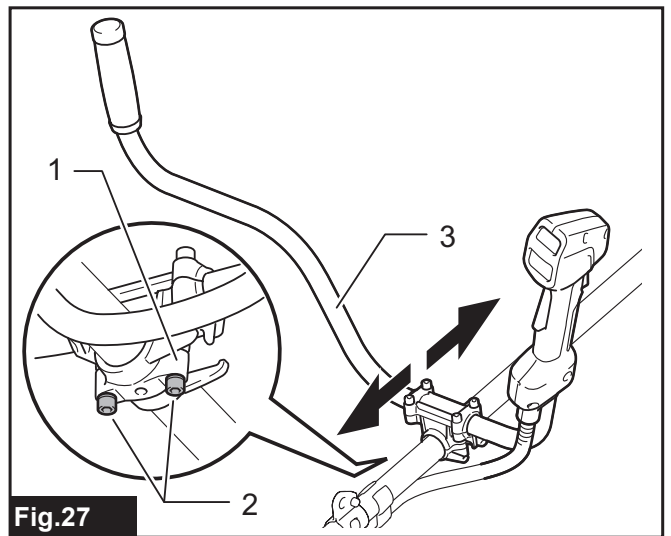


Fig.27

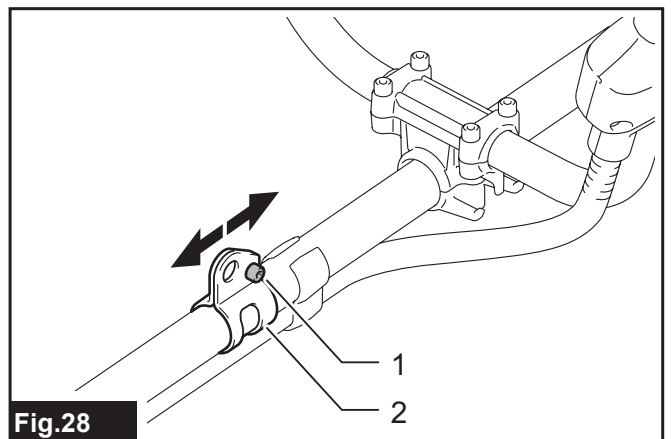


Fig.28

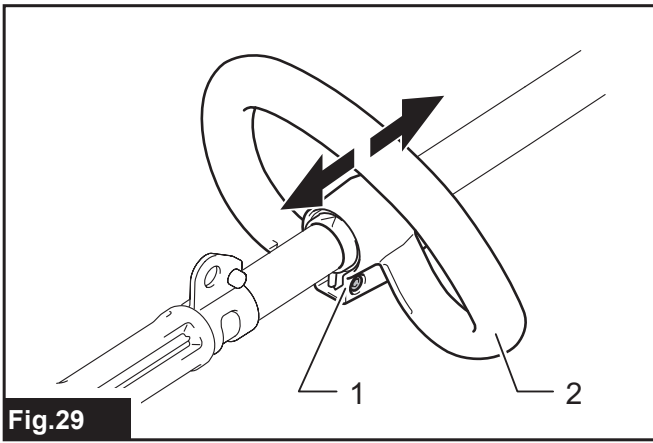


Fig.29

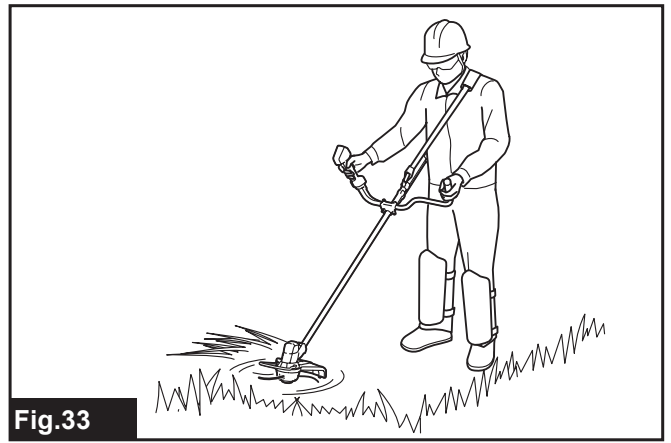


Fig.33

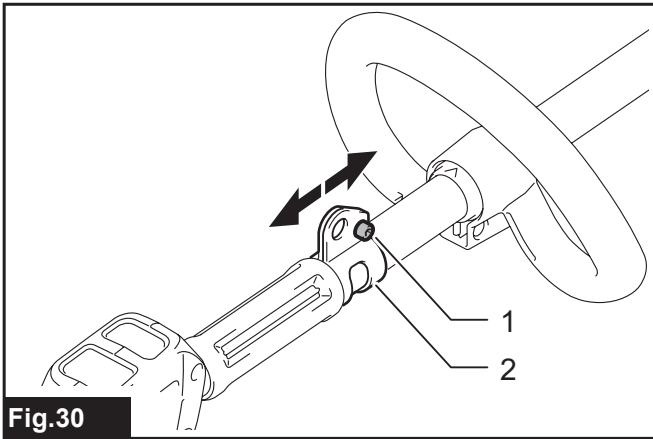


Fig.30

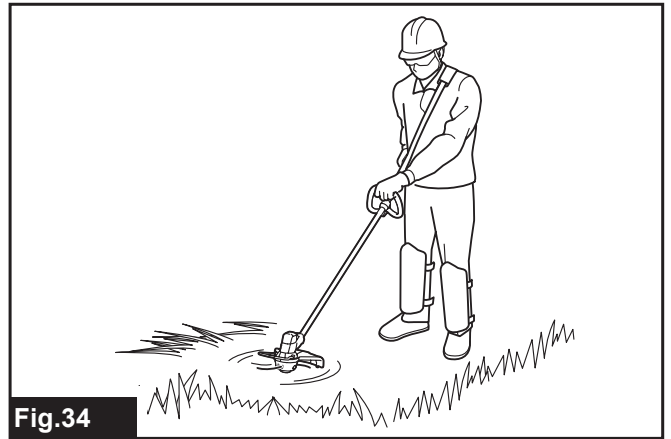


Fig.34

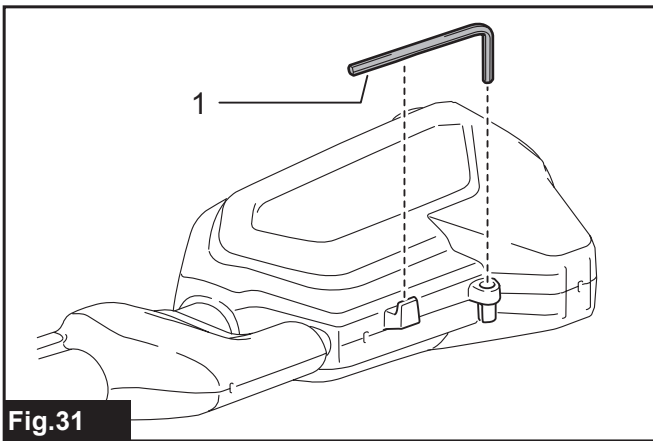


Fig.31

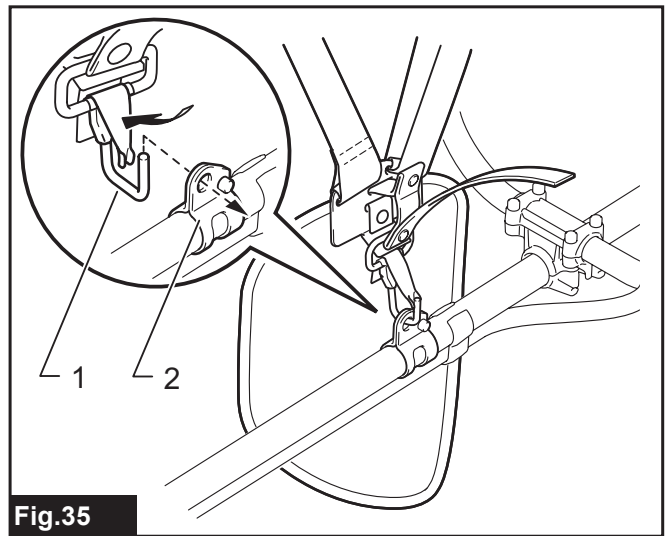


Fig.35

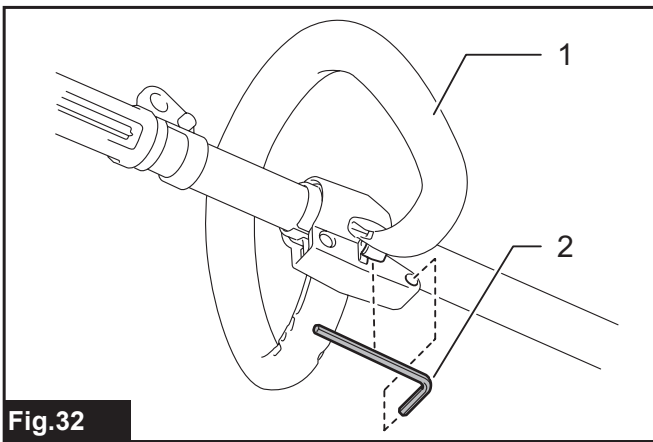


Fig.32

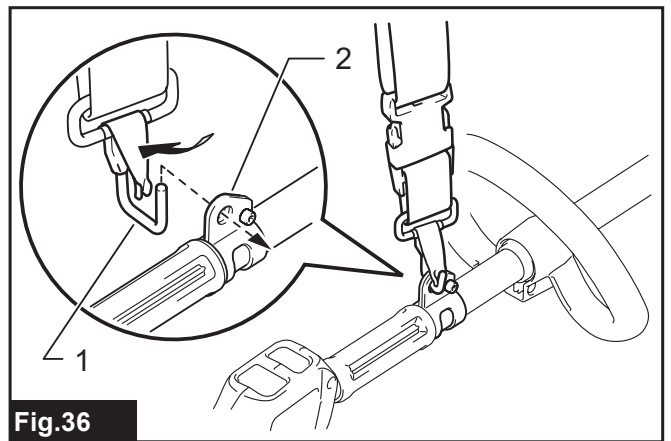


Fig.36

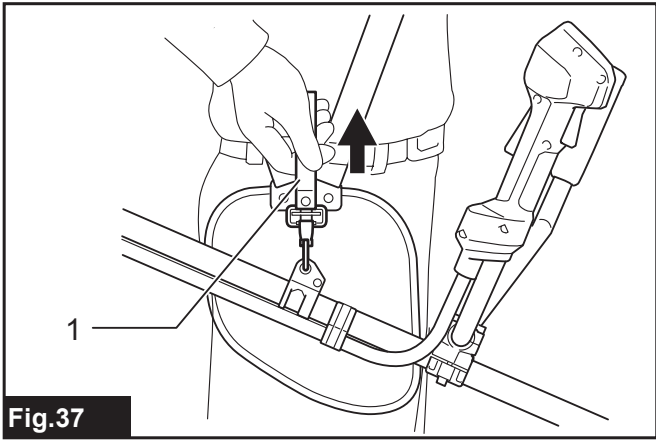


Fig.37

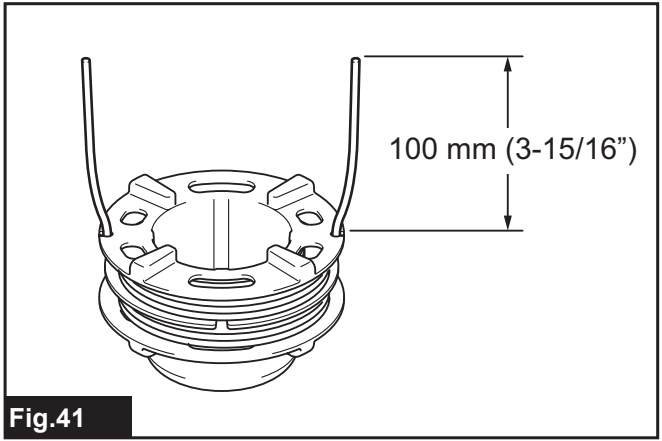


Fig.41

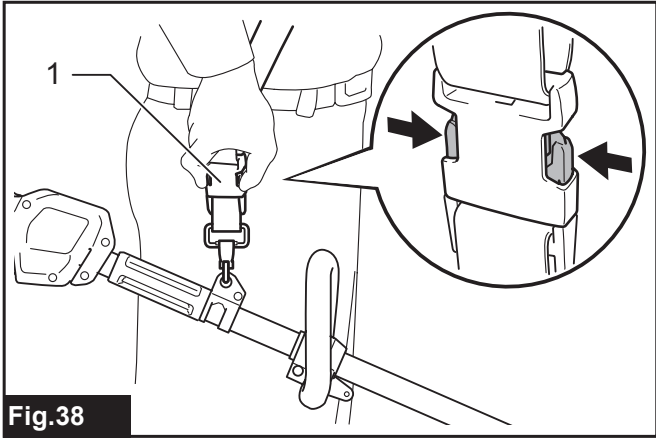


Fig.38

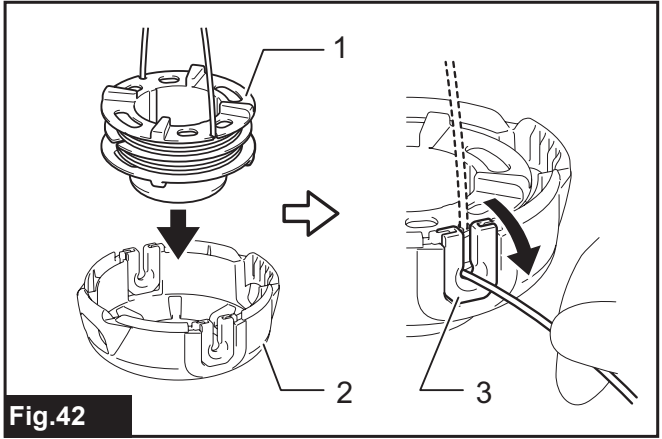


Fig.42

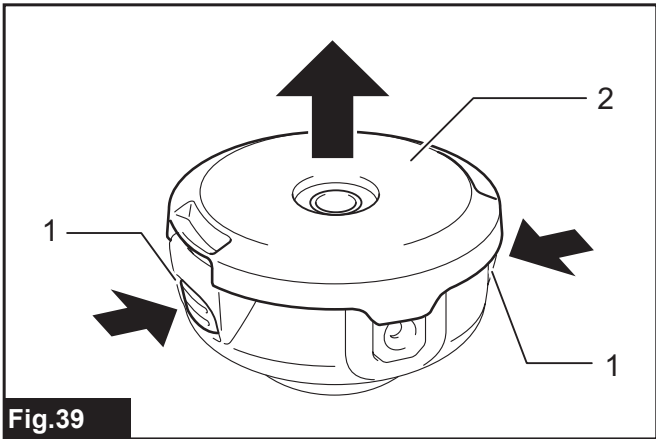


Fig.39

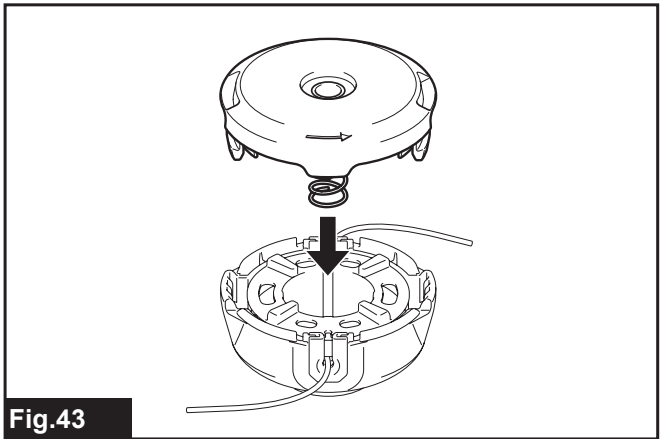


Fig.43

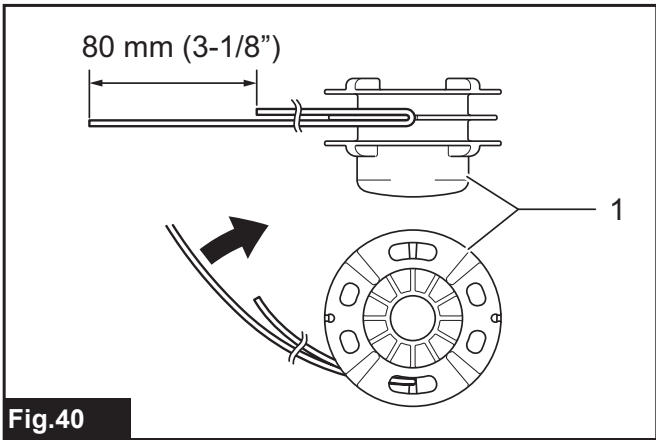


Fig.40

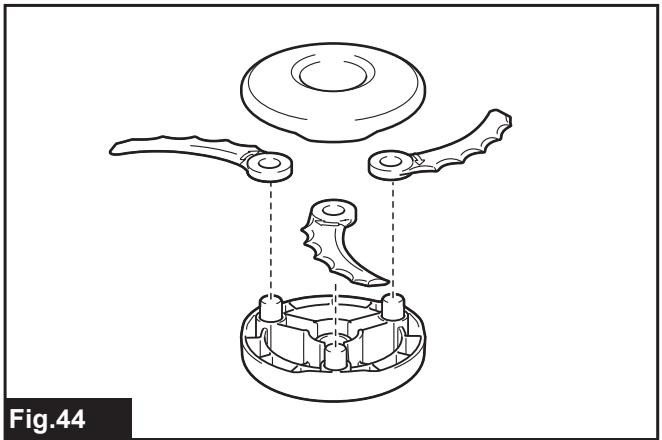


Fig.44

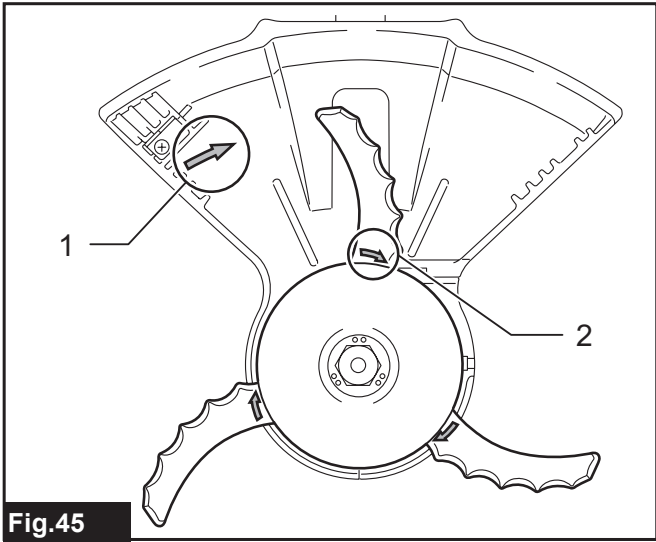


Fig.45

SPECIFICATIONS

Model:	DUR187U	DUR187L	DUR188U	DUR188L	
Type of handle	Bike handle	Loop handle	Bike handle	Loop handle	
No load speed	4,000/5,000/6,000 min ⁻¹				
Overall length (without cutting tool)	1,791 mm				
Nylon cord diameter	2.0 - 2.4 mm				
Applicable cutting tool and cutting diameter	Nylon cutting head (P/N 123932-5)	300 mm			
	Plastic blade (P/N 123954-5)	255 mm			
Rated voltage	D.C. 18 V				
Net weight (when using BL1830B)	with nylon cutting head	3.8 kg	3.6 kg	4.1 kg	3.9 kg
	with plastic blade	3.9 kg	3.6 kg	4.1 kg	3.9 kg
Battery cartridge	BL1815N, BL1820, BL1820B, BL1830, BL1830B, BL1840, BL1840B, BL1850, BL1850B, BL1860B				

- Due to our continuing program of research and development, the specifications herein are subject to change without notice.
- Specifications and battery cartridge may differ from country to country.
- Weight, with battery cartridge, according to EPTA-Procedure 01/2003

Noise

Applicable standard : 2000/14/EC

Model	Type	Sound pressure level average	Sound power level average	
		L _{PA} (dB(A))	L _{WA} (dB(A))	Uncertainty K (dB(A))
DUR187U	Nylon cutting head	74	84	6.0
	Plastic blade	79	88	0.8
DUR187L	Nylon cutting head	74	84	6.0
	Plastic blade	79	88	0.8
DUR188U	Nylon cutting head	74	84	6.0
	Plastic blade	79	88	0.8
DUR188L	Nylon cutting head	74	84	6.0
	Plastic blade	79	88	0.8

- Even if the sound pressure level listed above is 80 dB (A) or less, the level under working may exceed 80 dB (A). Wear ear protection.

Vibration

Applicable standard : EN50636-2-91

Model	Type	Left hand		Right hand	
		a _{h,w} (m/s ²)	Uncertainty K (m/s ²)	a _{h,w} (m/s ²)	Uncertainty K (m/s ²)
DUR187U	Nylon cutting head	≤ 2.5	1.5	≤ 2.5	1.5
	Plastic blade	≤ 2.5	1.5	≤ 2.5	1.5
DUR187L	Nylon cutting head	≤ 2.5	1.5	≤ 2.5	1.5
	Plastic blade	≤ 2.5	1.5	≤ 2.5	1.5
DUR188U	Nylon cutting head	≤ 2.5	1.5	≤ 2.5	1.5
	Plastic blade	≤ 2.5	1.5	≤ 2.5	1.5

DUR188L	Nylon cutting head	≤ 2.5	1.5	≤ 2.5	1.5
	Plastic blade	≤ 2.5	1.5	≤ 2.5	1.5

NOTE: The declared vibration emission value has been measured in accordance with the standard test method and may be used for comparing one tool with another.

NOTE: The declared vibration emission value may also be used in a preliminary assessment of exposure.

⚠ WARNING: The vibration emission during actual use of the power tool can differ from the declared emission value depending on the ways in which the tool is used.

⚠ WARNING: Be sure to identify safety measures to protect the operator that are based on an estimation of exposure in the actual conditions of use (taking account of all parts of the operating cycle such as the times when the tool is switched off and when it is running idle in addition to the trigger time).

Symbols

The following show the symbols used for the equipment. Be sure that you understand their meaning before use.



Take particular care and attention.



Read instruction manual.



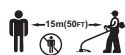
Danger; be aware of thrown objects.



The distance between the tool and bystanders must be at least 15 m.



Keep bystanders away.



Keep distance at least 15 m.



Wear a helmet, goggles and ear protection.



Wear protective gloves.



Wear sturdy boots with nonslip soles. Steeltoed safety boots are recommended.



Do not expose to moisture.



Top permissible tool speed.



Never use metal blade.



Only for EU countries
Do not dispose of electric equipment or battery pack together with household waste material! In observance of the European Directives, on Waste Electric and Electronic Equipment and Batteries and Accumulators and Waste Batteries and Accumulators and their implementation in accordance with national laws, electric equipment and batteries and battery pack(s) that have reached the end of their life must be collected separately and returned to an environmentally compatible recycling facility.

EC Declaration of Conformity

For European countries only

The EC declaration of conformity is included as Annex A to this instruction manual.

SAFETY WARNINGS

IMPORTANT SAFETY INSTRUCTIONS

⚠ WARNING: Read all safety warnings and all instructions. Failure to follow the warnings and instructions may result in electric shock, fire and/or serious injury.

Save all warnings and instructions for future reference.

1. Be familiar with the controls and proper use of the equipment.
2. Cutting elements continue to rotate after the motor is switched off.
3. Never allow children or people unfamiliar with the instructions to use the machine.
4. Stop using the machine while people, especially children, or pets are nearby.
5. Only use the machine in daylight or good artificial light.
6. Before using the machine and after any impact, check for signs of wear or damage and repair as necessary.
7. Take care against injury from any device fitted for trimming the filament line length. After extending new cutter line always return the machine to its normal operating position before switching on.
8. Never fit metal cutting elements.
9. This appliance is not intended for use by persons (including children) with reduced physical, sensory or mental capabilities, or lack of experience and knowledge, unless they have been given supervision or instruction concerning use of the appliance by a person responsible for their safety. Children should be supervised to ensure that they do not play with the appliance.

10. Use the tool with the utmost care and attention.
11. Operate the tool only if you are in good physical condition. Perform all work calmly and carefully. Use common sense and keep in mind that the operator or user is responsible for accidents or hazards occurring to other people or their property.
12. Never operate the tool when tired, feeling ill or under the influence of alcohol or drugs.
13. The tool should be switched off immediately if it shows any signs of unusual operation.

Intended use of the tool

1. Use right tool. The cordless grass trimmer is only intended for cutting grass, light weeds. It should not be used for any other purpose such as hedge cutting as this may cause injury.

Personal protective equipment

► Fig.1

► Fig.2

1. Dress Properly. The clothing worn should be functional and appropriate, i.e. it should be tight-fitting but not cause hindrance. Do not wear either jewelry or clothing which could become entangled with high grass. Wear protective hair covering to contain long hair.
2. When using the tool, always wear sturdy shoes with a non-slip sole. This protects against injuries and ensures a good footing.
3. Wear protective glasses or goggles.

Electrical and battery safety

1. Avoid dangerous environment. Don't use the tool in damp or wet locations or expose it to rain. Water entering the tool will increase the risk of electric shock.
2. Recharge only with the charger specified by the manufacturer. A charger that is suitable for one type of battery pack may create a risk of fire when used with another battery pack.
3. Use power tools only with specifically designated battery packs. Use of any other battery packs may create a risk of injury and fire.
4. When battery pack is not in use, keep it away from other metal objects, like paper clips, coins, keys, nails, screws or other small metal objects, that can make a connection from one terminal to another. Shorting the battery terminals together may cause burns or a fire.
5. Under abusive conditions, liquid may be ejected from the battery; avoid contact. If contact accidentally occurs, flush with water. If liquid contacts eyes, seek medical help. Liquid ejected from the battery may cause irritation or burns.
6. Do not dispose of the battery(ies) in a fire. The cell may explode. Check with local codes for possible special disposal instructions.
7. Do not open or mutilate the battery(ies). Released electrolyte is corrosive and may cause damage to the eyes or skin. It may be toxic if swallowed.

Starting up the tool

► Fig.3

1. Make sure that there are no children or other people within a working range of 15 meters (50 ft), also pay attention to any animals in the working vicinity. Otherwise stop using the tool.
2. Before use always check that the tool is safe for operation. Check the security of the cutting tool and the guard and the switch trigger/lever for easy and proper action. Check for clean and dry handles and test the on/off function of the switch.
3. Check damaged parts before further use of the tool. A guard or other part that is damaged should be carefully checked to determine that it will operate properly and perform its intended function. Check for alignment of moving parts, binding of moving parts, breakage of parts, mounting, and any other condition that may affect its operation. A guard or other part that is damaged should be properly repaired or replaced by our authorized service center unless indicated elsewhere in this manual.
4. Switch on the motor only when hands and feet are away from the cutting tool.
5. Before starting make sure that the cutting tool has no contact with hard objects such as branches, stones etc. as the cutting tool will revolve when starting.

Method of operation

1. Never operate the machine with damaged guards or without the guards in place.
2. Only use the tool in good light and visibility. During the winter season beware of slippery or wet areas, ice and snow (risk of slipping). Always ensure a safe footing.
3. Take care against injury to feet and hands from the cutting tool.
4. Keep hands and feet away from the cutting means at all times and especially when switching on the motor.
5. Never cut above waist height.
6. Never stand on a ladder and run the tool.
7. Never work on unstable surfaces.
8. Don't overreach. Keep proper footing and balance at all times.
9. Remove sand, stones, nails etc. found within the working range. Foreign particles may damage the cutting tool and can cause to be thrown away, resulting in a serious injury.
10. Should the cutting tool hit stones or other hard objects, immediately switch off the motor and inspect the cutting tool.
11. Before commencing cutting, the cutting tool must have reached full working speed.
12. During operation always hold the tool with both hands. Never hold the tool with one hand during use. Always ensure a safe footing.
13. All protective equipment such as guards supplied with the tool must be used during operation.

14. Except in case of emergency, never drop or cast the tool to the ground or this may severely damage the tool.
15. Never drag the tool on the ground when moving from place to place, the tool may become damaged if moved in this manner.
16. Always remove the battery cartridge from the tool:
 - whenever leaving the tool unattended;
 - before clearing a blockage;
 - before checking, cleaning or working on the tool;
 - before making any adjustments, changing accessories or storing;
 - whenever the tool starts vibrating unusually;
 - whenever transporting the tool.
17. Don't force the tool. It will do the job better and with less likelihood of a risk of injury at the rate for which it was designed.
18. Do not operate power tools in explosive atmospheres, such as in the presence of flammable liquids, gases or dust. Power tools create sparks which may ignite the dust or fumes.
19. Take a rest to prevent loss of control caused by fatigue. We recommend to take a 10 to 20-minute rest every hour.

Maintenance instructions

1. The condition of the cutting tool, protective devices and shoulder strap must be checked before commencing work.
2. Turn off the motor and remove the battery cartridge before carrying out maintenance, replacing the cutting tool and cleaning the tool.
3. After use, disconnect the battery cartridge from the tool and check for damage.
4. Check for loose fasteners and damaged parts such as nearly halfway cut-off state in the cutting tool.
5. When not in use store the equipment in a dry location that is locked up or out of children's reach.
6. Use only the manufacturer's recommended replacement parts and accessories.
7. Always ensure that ventilation openings are kept clear of debris.
8. Inspect and maintain the tool regularly, especially before/after use. Have the tool repaired only by our authorized service center.
9. Keep handles dry, clean and free from oil and grease.

SAVE THESE INSTRUCTIONS.

⚠WARNING: DO NOT let comfort or familiarity with product (gained from repeated use) replace strict adherence to safety rules for the subject product. MISUSE or failure to follow the safety rules stated in this instruction manual may cause serious personal injury.

Important safety instructions for battery cartridge

1. Before using battery cartridge, read all instructions and cautionary markings on (1) battery charger, (2) battery, and (3) product using battery.
2. Do not disassemble battery cartridge.
3. If operating time has become excessively shorter, stop operating immediately. It may result in a risk of overheating, possible burns and even an explosion.
4. If electrolyte gets into your eyes, rinse them out with clear water and seek medical attention right away. It may result in loss of your eyesight.
5. Do not short the battery cartridge:
 - (1) Do not touch the terminals with any conductive material.
 - (2) Avoid storing battery cartridge in a container with other metal objects such as nails, coins, etc.
 - (3) Do not expose battery cartridge to water or rain. A battery short can cause a large current flow, overheating, possible burns and even a breakdown.
6. Do not store the tool and battery cartridge in locations where the temperature may reach or exceed 50 °C (122 °F).
7. Do not incinerate the battery cartridge even if it is severely damaged or is completely worn out. The battery cartridge can explode in a fire.
8. Be careful not to drop or strike battery.
9. Do not use a damaged battery.
10. The contained lithium-ion batteries are subject to the Dangerous Goods Legislation requirements. For commercial transports e.g. by third parties, forwarding agents, special requirement on packaging and labeling must be observed. For preparation of the item being shipped, consulting an expert for hazardous material is required. Please also observe possibly more detailed national regulations. Tape or mask off open contacts and pack up the battery in such a manner that it cannot move around in the packaging.
11. Follow your local regulations relating to disposal of battery.

SAVE THESE INSTRUCTIONS.

⚠CAUTION: Only use genuine Makita batteries. Use of non-genuine Makita batteries, or batteries that have been altered, may result in the battery bursting causing fires, personal injury and damage. It will also void the Makita warranty for the Makita tool and charger.

Tips for maintaining maximum battery life

1. Charge the battery cartridge before completely discharged. Always stop tool operation and charge the battery cartridge when you notice less tool power.
2. Never recharge a fully charged battery cartridge. Overcharging shortens the battery service life.
3. Charge the battery cartridge with room temperature at 10 °C - 40 °C (50 °F - 104 °F). Let a hot battery cartridge cool down before charging it.
4. Charge the battery cartridge if you do not use it for a long period (more than six months).

PARTS DESCRIPTION

► Fig.4

1	Battery cartridge	2	Lock-off lever	3	Switch trigger	4	Hanger
5	Handle	6	Protector (cutting tool guard)	7	Wire guard	8	Lock lever (DUR188U and DUR188L only)
9	Joint cover (DUR188U and DUR188L only)	10	Cap (DUR188U and DUR188L only)	11	Speed indicator	12	Auto speed control indicator
13	Power lamp	14	Main power button	15	Reverse button	16	Shoulder harness

* The shape of the protector varies depending on the country.

FUNCTIONAL DESCRIPTION

⚠ WARNING: Always be sure that the tool is switched off and the battery cartridge is removed before adjusting or checking function on the tool. Failure to switch off and remove the battery cartridge may result in serious personal injury from accidental start-up.

Installing or removing battery cartridge

⚠ CAUTION: Always switch off the tool before installing or removing of the battery cartridge.

⚠ CAUTION: Hold the tool and the battery cartridge firmly when installing or removing battery cartridge. Failure to hold the tool and the battery cartridge firmly may cause them to slip off your hands and result in damage to the tool and battery cartridge and a personal injury.

► Fig.5: 1. Red indicator 2. Button 3. Battery cartridge

To remove the battery cartridge, slide it from the tool while sliding the button on the front of the cartridge.

To install the battery cartridge, align the tongue on the battery cartridge with the groove in the housing and slip it into place. Insert it all the way until it locks in place with a little click. If you can see the red indicator on the upper side of the button, it is not locked completely.

⚠ CAUTION: Always install the battery cartridge fully until the red indicator cannot be seen. If not, it may accidentally fall out of the tool, causing injury to you or someone around you.

⚠ CAUTION: Do not install the battery cartridge forcibly. If the cartridge does not slide in easily, it is not being inserted correctly.

Tool / battery protection system

The tool is equipped with a tool/battery protection system. This system automatically cuts off power to the motor to extend tool and battery life. The tool will automatically stop during operation if the tool or battery is placed under one of the following conditions:

Status	Indicator lamps		
	■ On	□ Off	▣ Blinking
Overload			
Overheat			
Over discharge			

Overload protection

If the tool is overloaded by entangled weeds or other debris, and the middle indicators start blinking and the tool automatically stops. In this situation, turn the tool off and stop the application that caused the tool to become overloaded. Then turn the tool on to restart.

Overheat protection for tool or battery

There are two types of overheating; tool overheating and battery overheating. When the tool over heating occurs, all speed indicators blink. When the battery over heating occurs, indicator blinks. If the overheating occurs, the tool stops automatically. Let the tool and/or battery cool down before turning the tool on again.

Overdischarge protection

When the battery capacity becomes low, the tool stops automatically and indicator blinks. If the tool does not operate even when the switches are operated, remove the batteries from the tool and charge the batteries.

Indicating the remaining battery capacity

Only for battery cartridges with the indicator

► **Fig.6:** 1. Indicator lamps 2. Check button

Press the check button on the battery cartridge to indicate the remaining battery capacity. The indicator lamps light up for few seconds.

Indicator lamps			Remaining capacity	
Lighted	Off	Blinking		
■	□	▧	75% to 100%	
■ ■ ■ ■				
■ ■ ■ □				50% to 75%
■ ■ □ □				25% to 50%
■ □ □ □				0% to 25%
▧ □ □ □				Charge the battery.
■ ■ □ □				The battery may have malfunctioned.
□ □ ■ ■				

NOTE: Depending on the conditions of use and the ambient temperature, the indication may differ slightly from the actual capacity.

Power switch action

⚠ WARNING: Before installing the battery cartridge on the tool, always check to see that the switch trigger actuates properly and returns to the "OFF" position when released. Operating a tool with a switch that does not actuate properly can lead to loss of control and serious personal injury.

⚠ CAUTION: Never put your finger on the switch when carrying. The tool may start unintentionally and cause injury.

Press and hold the main power button for some seconds to turn on the tool.

To turn off the tool, press and hold the main power button again.

► **Fig.7:** 1. Main power button

To prevent the switch trigger from being accidentally pulled, a lock-off lever is provided.

To start the tool, grasp the handle (the lock-off lever is released by the grasp) and then pull the switch trigger.

To stop the tool, release the switch trigger.

DUR187U and DUR188U

► **Fig.8:** 1. Lock-off lever 2. Switch trigger

DUR187L and DUR188L

► **Fig.9:** 1. Lock-off lever 2. Switch trigger

NOTE: The tool is automatically turned off after the tool is left one minute without any operations.

Speed adjusting

You can adjust the tool speed by tapping the main power button.

Each time you tap the main power button, the level of speed will change.

► **Fig.10:** 1. Main power button

Indicator	Mode	Rotation speed
	Auto	4,000 - 6,000 min ⁻¹
	High	6,000 min ⁻¹
	Medium	5,000 min ⁻¹
	Low	4,000 min ⁻¹

Reverse button for debris removal

⚠ WARNING: Switch off the tool and remove the battery cartridge before you remove entangled weeds or debris which the reverse rotation function can not remove. Failure to switch off and remove the battery cartridge may result in serious personal injury from accidental start-up.

This tool has a reverse button to change the direction of rotation. It is only for removing weeds and debris entangled in the tool.

To reverse the rotation, tap the reverse button and pull the trigger when the tool's head is stopped. The power lamp starts blinking, and the tool's head rotates in reverse direction when you pull the switch trigger.

To return to regular rotation, release the trigger and wait until the tool's head stops.

► **Fig.11:** 1. Reverse button

NOTE: During the reverse rotation, the tool operates only for a short period of time and then automatically stops.

NOTE: Once the tool is stopped, the rotation returns to regular direction when you start the tool again.

NOTE: If you tap the reverse button while the tool's head is still rotating, the tool comes to stop and to be ready for reverse rotation.

Nylon cutting head

Optional accessory

NOTICE: The bump feed will not operate properly if the head is not rotating.

► **Fig.12:** 1. Most effective cutting area

The nylon cutting head is a dual string trimmer head provided with a bump & feed mechanism. To feed out the nylon cord, tap the cutting head against the ground while rotating.

NOTE: If the nylon cord does not feed out while tapping the head, rewind/replace the nylon cord by following the procedures described under "Maintenance".

ASSEMBLY

⚠ WARNING: Always be sure that the tool is switched off and battery cartridge is removed before carrying out any work on the tool. Failure to switch off and remove the battery cartridge may result in serious personal injury from accidental start-up.

⚠ WARNING: Never start the tool unless it is completely assembled. Operation of the tool in a partially assembled state may result in serious personal injury from accidental start-up.

Installing the handle

For DUR187U and DUR188U only

1. Insert the shaft of the handle into the grip. Align the screw hole in the grip with the one in the shaft. Tighten the screw securely.

► **Fig.13:** 1. Grip 2. Screw 3. Handle

2. Place handle between handle clamp and handle holder. Adjust the handle to an angle that provides a comfortable working position and then secure with hex socket head bolts.

► **Fig.14:** 1. Hex socket head bolt 2. Handle clamp

Mounting the attachment pipe

For DUR188U and DUR188L only

Mount the attachment pipe to the power unit.

1. Turn the lever to the direction of the arrow shown in the figure.

► **Fig.15:** 1. Lever

2. Pull up the joint cover and insert the attachment pipe while aligning the protrusion on the pipe (cutting tool side) with the concave portion of the joint part.

► **Fig.16:** 1. Lock lever 2. Joint cover 3. Pipe

Make sure that the surface of the lock lever is parallel to the pipe.

3. Turn the lever to the direction of the arrow shown in the figure.

► **Fig.17:** 1. Lever

To remove the pipe, turn the lever to the direction of the arrow shown in the figure and pull the pipe out while pressing down the lock lever.

► **Fig.18:** 1. Lever 2. Lock lever 3. Pipe

Installing the guard

⚠ WARNING: Never use the tool without the guard illustrated in place. Failure to do so can cause serious personal injury.

⚠ CAUTION: Take care not to injure yourself on the cutter for cutting the nylon cord.

NOTE: The shape of the protector varies depending on the country.

1. Align the projections on the protector with the grooves of the motor housing.

► **Fig.19:** 1. Protector 2. Groove 3. Projection

2. Align the projections on the protector holder with its counter parts of the motor housing.

► **Fig.20:** 1. Protector holder 2. Projection

3. Tighten the hex socket head bolts securely to fasten the protector and the protector holder.

► **Fig.21:** 1. Hex socket head bolt 2. Hex wrench

Installing the wire guard

⚠ CAUTION: Before adjusting the wire guard, wait for the cutting head comes to standstill. Do not adjust the wire guard with your foot.

► **Fig.22**

To reduce the risk damaging the objects in front of the cutting head, insert the wire guard so that it controls the cutting range of the mowing line.

Slightly expand the wire guard outward and then insert it into the holes of the protector.

► **Fig.23:** 1. Wire guard

NOTE: Do not expand the wire guard outward too much. Otherwise it may break.

When wire guard is not in use, lift it for the idle position.

► **Fig.24**

Installing nylon cutting head

Optional accessory

⚠ CAUTION: If the nylon cutting head accidentally impacts a rock or hard object during operation, stop the tool and inspect for any damage. If the nylon cutting head is damaged, replace it immediately. Use of a damaged cutting tool could result in serious personal injury.

⚠ CAUTION: Make sure to remove the hex wrench after installation.

NOTICE: Be sure to use genuine Makita nylon cutting head.

► **Fig.25:** 1. Nylon cutting head 2. Metal guard 3. Spindle 4. Hex wrench

1. Turn the tool upside down so that you can replace the cutting tool easily.

2. Insert the hex wrench through the hole on the motor housing and rotate the spindle until the spindle is locked.
3. Place the nylon cutting head onto the threaded spindle directly and tighten it by turning it counterclockwise.
4. Remove the hex wrench.

To remove the nylon cutting head, turn it clockwise while holding the receive washer with the hex wrench.

Installing plastic blade

Optional accessory

CAUTION: If the plastic blade accidentally impacts a rock or hard object during operation, stop the tool and inspect for any damage. If the plastic blade is damaged, replace it immediately. Use of a damaged cutting tool could result in serious personal injury.

CAUTION: Make sure to remove the hex wrench after installation.

NOTICE: Be sure to use genuine Makita plastic blade.

► **Fig.26:** 1. Plastic blade 2. Metal guard 3. Hex wrench

1. Turn the tool upside down so that you can replace the cutting tool easily.
2. Insert the hex wrench through the hole on the motor housing and rotate the spindle until the spindle is locked.
3. Place the plastic blade onto the threaded spindle directly and tighten it by turning it counterclockwise.
4. Remove the hex wrench.

To remove the plastic blade, turn it clockwise while holding the receive washer with the hex wrench.

Adjusting the handle/hanger position

Adjust the handle and hanger position to obtain comfortable handling of the tool.

For DUR187U and DUR188U

Loosen the hex socket head bolts on the bottom of the handle holder. Move the handle to a comfortable working position and then tighten the bolts.

► **Fig.27:** 1. Handle holder 2. Hex socket head bolt 3. Handle

Loosen the Hex socket head bolts on the hanger. Move the hanger to a comfortable working position and then tighten the bolts.

► **Fig.28:** 1. Hex socket head bolt 2. Hanger

For DUR187L and DUR188L

Loosen the hex socket head bolts on the handle. Move the handle to a comfortable working position and then tighten the bolts.

► **Fig.29:** 1. Hex socket head bolt 2. Handle

Loosen the hex socket head bolt on the hanger. Move the hanger to a comfortable working position and then tighten the bolt.

► **Fig.30:** 1. Hex socket head bolt 2. Hanger

Hex wrench storage

CAUTION: Be careful not to leave the hex wrench inserted in the tool head. It may cause injury and/or damage to the tool.

When not in use, store the hex wrench as shown in the figure to keep it from being lost.

► **Fig.31:** 1. Hex wrench

For DUR187L and DUR188L only

► **Fig.32:** 1. Handle 2. Hex wrench

OPERATION

Correct handling of tool

WARNING: Always position the tool on your right-hand side. Correct positioning of the tool allows for maximum control and will reduce the risk of serious personal injury caused by kickback.

WARNING: Be extremely careful to maintain control of the tool at all times. Do not allow the tool to be deflected toward you or anyone in the work vicinity. Failure to keep control of the tool could result in serious injury to the bystander and the operator.

WARNING: To avoid accident, leave more than 15m (50 ft) distance between operators when two or more operators work in one area. Also, arrange a person to observe the distance between operators. If someone or an animal enter the working area, immediately stop the operation.

DUR187U and DUR188U

► **Fig.33**

DUR187L and DUR188L

► **Fig.34**

Attachment of shoulder harness

CAUTION: Always use the shoulder harness attached. Before operation, adjust the shoulder harness according to the user size to prevent fatigue.

Connect the hook of the shoulder harness to the hanger and put the shoulder harness on. Make sure that the tool is held securely by the shoulder harness.

DUR187U and DUR188U

► **Fig.35:** 1. Hook 2. Hanger

DUR187L and DUR188L

► **Fig.36:** 1. Hook 2. Hanger

Detachment

The shoulder harness features a means of quick release.

DUR187U and DUR188U

► **Fig.37:** 1. Strip

Pull out the strip release the tool from the shoulder harness.

DUR187L and DUR188L

► **Fig.38:** 1. Buckle

Simply squeeze the sides of the buckle to release the tool from the shoulder harness.

MAINTENANCE

⚠ WARNING: Always be sure that the tool is switched off and battery cartridge is removed before attempting to perform inspection or maintenance on the tool. Failure to switch off and remove the battery cartridge may result in serious personal injury from accidental start-up.

NOTICE: Never use gasoline, benzene, thinner, alcohol or the like. Discoloration, deformation or cracks may result.

Replacing the nylon cord

⚠ WARNING: Use nylon cord with diameter specified in "SPECIFICATIONS" only. Never use heavier line, metal wire, rope or the like. Use recommended nylon cord only, otherwise it may cause damage to the tool and result in serious personal injury.

⚠ WARNING: Make sure that the cover of the nylon cutting head is secured to the housing properly as described below. Failure to properly secure the cover may cause the nylon cutting head to fly apart resulting in serious personal injury.

1. Press on the housing latches inward to lift off the cover, then remove the spool.

► **Fig.39:** 1. Latch 2. Cover

2. Prepare approximately 3 m (9 ft) of new nylon cord. Fold the new nylon cord with one end become approximately 80 mm (3-1/8") longer than the other end. Then hook the new nylon cord into the notch in the center of the spool.

Wind both ends firmly around the spool in the direction of the head rotation (left-hand direction indicated by LH on the side of the spool).

► **Fig.40:** 1. Spool

3. Wind all but about 100 mm (3 - 15/16") of the cords, leaving the ends temporarily hooked through a notch on the side of the spool.

► **Fig.41**

4. Mount the spool in the housing so that the grooves and protrusions on the spool match up with those in the housing. Keep the side with letters on the spool visible on the top. Now, unhook the ends of the cord from their temporary position and feed the cords through the eyelets to come out of the housing.

► **Fig.42:** 1. Spool 2. Housing 3. Eyelet

5. Align the protrusion on the underside of the cover with the slots of the eyelets. Then push the cover firmly onto the housing to secure it.

► **Fig.43**

Replacing the plastic blade

Replace the blade if it is worn out or broken.

► **Fig.44**

When installing the plastic blade, align the direction of the arrow on the blade with that of the protector.

► **Fig.45:** 1. Arrow on the protector 2. Arrow on the blade

To maintain product SAFETY and RELIABILITY, repairs, any other maintenance or adjustment should be performed by Makita Authorized or Factory Service Centers, always using Makita replacement parts.

TROUBLESHOOTING

Before asking for repairs, conduct your own inspection first. If you find a problem that is not explained in the manual, do not attempt to dismantle the tool. Instead, ask Makita Authorized Service Centers, always using Makita replacement parts for repairs.

State of abnormality	Probable cause (malfunction)	Remedy
Motor does not run.	Battery cartridge is not installed.	Install the battery cartridge.
	Battery problem (under voltage)	Recharge the battery. If recharging is not effective, replace battery.
	The drive system does not work correctly.	Ask your local authorized service center for repair.
Motor stops running after a little use.	Battery's charge level is low.	Recharge the battery. If recharging is not effective, replace battery.
	Overheating.	Stop using of tool to allow it to cool down.
It does not reach maximum RPM.	Battery is installed improperly.	Install the battery cartridge as described in this manual.
	Battery power is dropping.	Recharge the battery. If recharging is not effective, replace battery.
	The drive system does not work correctly.	Ask your local authorized service center for repair.
Cutting tool does not rotate: ⇒ stop the machine immediately!	Foreign object such as a branch is jammed between the guard and the nylon cutting head.	Remove the foreign object.
	The drive system does not work correctly.	Ask your local authorized service center for repair.
Abnormal vibration: ⇒ stop the machine immediately!	One end of the nylon cord has been broken.	Tap the nylon cutting head against the ground while it is rotating to cause the cord to feed.
	The drive system does not work correctly.	Ask your local authorized service center for repair.
Cutting tool and motor cannot stop: ⇒ Remove the battery immediately!	Electric or electronic malfunction.	Remove the battery and ask your local authorized service center for repair.

OPTIONAL ACCESSORIES

NOTE: Some items in the list may be included in the tool package as standard accessories. They may differ from country to country.

⚠ WARNING: Do not mount a metal blade on this tool and only use the recommended accessories or attachments indicated in this manual. The use of a metal blade or any other accessory or attachment may result in serious personal injury.

⚠ CAUTION: These accessories or attachments are recommended for use with your Makita tool specified in this manual. The use of any other accessories or attachments might present a risk of injury to persons. Only use accessory or attachment for its stated purpose.

If you need any assistance for more details regarding these accessories, ask your local Makita Service Center.

- Nylon cutting head
- Nylon cord (cutting line)
- Plastic blade
- Makita genuine battery and charger

SPÉCIFICATIONS

Modèle :		DUR187U	DUR187L	DUR188U	DUR188L
Type de poignée		Poignée guidon	Poignée arceau	Poignée guidon	Poignée arceau
Vitesse à vide		4 000/5 000/6 000 min ⁻¹			
Longueur totale (sans outil de coupe)		1 791 mm			
Diamètre du cordon en nylon		2,0 à 2,4 mm			
Outil de coupe applicable et diamètre de coupe	Tête de coupe à fil nylon (P/N 123932-5)	300 mm			
	Lame en plastique (P/N 123954-5)	255 mm			
Tension nominale		18 V CC			
Poids net (si vous utilisez BL1830B)	avec tête de coupe à fil nylon	3,8 kg	3,6 kg	4,1 kg	3,9 kg
	avec lame en plastique	3,9 kg	3,6 kg	4,1 kg	3,9 kg
Batterie		BL1815N, BL1820, BL1820B, BL1830, BL1830B, BL1840, BL1840B, BL1850, BL1850B, BL1860B			

- Étant donné l'évolution constante de notre programme de recherche et de développement, les spécifications contenues dans ce manuel sont sujettes à modification sans préavis.
- Les spécifications et la batterie peuvent être différentes suivant les pays.
- Poids, avec la batterie, conformément à la procédure EPTA-01/2003

Bruit

Norme applicable : 2000/14/EC

Modèle	Type	Niveau de pression sonore moyenne	Niveau de puissance sonore moyenne	
		L _{PA} (dB(A))	L _{WA} (dB(A))	Incertitude K (dB(A))
DUR187U	Tête de coupe à fil nylon	74	84	6,0
	Lame en plastique	79	88	0,8
DUR187L	Tête de coupe à fil nylon	74	84	6,0
	Lame en plastique	79	88	0,8
DUR188U	Tête de coupe à fil nylon	74	84	6,0
	Lame en plastique	79	88	0,8
DUR188L	Tête de coupe à fil nylon	74	84	6,0
	Lame en plastique	79	88	0,8

- Même si le niveau de pression sonore indiqué ci-dessus est inférieur ou égal à 80 dB (A), le niveau en fonctionnement peut dépasser 80 dB (A). Portez un serre-tête antibruit.

Vibration

Norme applicable : EN50636-2-91

Modèle	Type	Main gauche		Main droite	
		a _{h,w} (m/s ²)	Incertitude K (m/s ²)	a _{h,w} (m/s ²)	Incertitude K (m/s ²)
DUR187U	Tête de coupe à fil nylon	≤ 2,5	1,5	≤ 2,5	1,5
	Lame en plastique	≤ 2,5	1,5	≤ 2,5	1,5
DUR187L	Tête de coupe à fil nylon	≤ 2,5	1,5	≤ 2,5	1,5
	Lame en plastique	≤ 2,5	1,5	≤ 2,5	1,5

DUR188U	Tête de coupe à fil nylon	$\leq 2,5$	1,5	$\leq 2,5$	1,5
	Lame en plastique	$\leq 2,5$	1,5	$\leq 2,5$	1,5
DUR188L	Tête de coupe à fil nylon	$\leq 2,5$	1,5	$\leq 2,5$	1,5
	Lame en plastique	$\leq 2,5$	1,5	$\leq 2,5$	1,5

NOTE : La valeur d'émission de vibrations déclarée a été mesurée conformément à la méthode de test standard et peut être utilisée pour comparer les outils entre eux.




NOTE : La valeur d'émission de vibrations déclarée peut aussi être utilisée pour l'évaluation préliminaire de l'exposition.

⚠ AVERTISSEMENT : L'émission de vibrations lors de l'usage réel de l'outil électrique peut être différente de la valeur d'émission déclarée, suivant la façon dont l'outil est utilisé.

⚠ AVERTISSEMENT : Les mesures de sécurité à prendre pour protéger l'utilisateur doivent être basées sur une estimation de l'exposition dans des conditions réelles d'utilisation (en tenant compte de toutes les composantes du cycle d'utilisation, comme par exemple le moment de sa mise hors tension, lorsqu'il tourne à vide et le moment de son déclenchement).

Symboles

Vous trouverez ci-dessous les symboles utilisés pour l'appareil. Veuillez à comprendre leur signification avant toute utilisation.

	Veuillez être prudent et rester attentif.
	Lire le mode d'emploi.
	Danger ; prendre garde aux projections d'objets.
	La distance entre l'outil et les badauds doit être d'au moins 15 m.
	Tenir les personnes à l'écart.
	Maintenez une distance d'au moins 15 m.
	Portez un casque, des lunettes à coques et un serre-tête antibruit.
	Portez des gants de protection.
	Portez des bottes robustes à semelles anti-dérapantes. Il est conseillé de porter des chaussures avec embout de sécurité.
	Ne pas exposer à l'eau.
	Vitesse maximale autorisée de l'outil.
	N'utilisez jamais de lame métallique.
	Uniquement pour les pays européens Ne jetez pas les appareils électriques ou les batteries avec vos ordures ménagères ! Conformément aux directives européennes relatives aux déchets d'équipements électriques et électroniques et aux piles et accumulateurs ainsi qu'aux déchets de piles et d'accumulateurs et leur mise en œuvre conformément aux lois nationales, les équipements électriques et les piles et batteries en fin de vie doivent faire l'objet d'une collecte sélective et être confiés à une usine de recyclage respectueuse de l'environnement.

Déclaration de conformité CE

Pour les pays européens uniquement

La déclaration de conformité CE est fournie en Annexe A à ce mode d'emploi.

CONSIGNES DE SÉCURITÉ

CONSIGNES DE SÉCURITÉ IMPORTANTES

⚠ AVERTISSEMENT : Lisez toutes les consignes de sécurité et toutes les instructions. Il y a risque d'électrocution, d'incendie et/ou de graves blessures si les mises en garde et les instructions ne sont pas respectées.

Conservez toutes les mises en garde et instructions pour référence ultérieure.

1. **Familiarisez-vous avec les commandes et l'utilisation correcte de l'appareil.**
2. **Les éléments de coupe continuent de tourner une fois le moteur coupé.**
3. **Ne laissez jamais les enfants ou les personnes qui ne sont pas familiarisées avec ces instructions utiliser la machine.**
4. **Arrêtez d'utiliser la machine en présence de personnes, particulièrement les enfants et animaux domestiques, à proximité.**
5. **N'utilisez la machine qu'à la lumière du jour ou sous un bon éclairage artificiel.**
6. **Avant d'utiliser la machine et après un impact, vérifiez l'absence d'usure ou de dégât, et réparez au besoin.**

7. Prenez garde de ne pas vous blesser avec le dispositif fixé pour la coupe de la longueur du filament. Après avoir allongé le fil de coupe, ramenez toujours la machine à sa position de fonctionnement normal avant de la mettre sous tension.
8. Ne fixez jamais d'éléments de coupe métalliques.
9. Cet appareil n'est pas destiné à être utilisé par des personnes (y compris les enfants) aux facultés physiques, sensorielles ou mentales diminuées ou sans expérience ni expertise, à moins qu'une personne responsable de leur sécurité ne leur fournisse la surveillance et les instructions nécessaires à l'utilisation de cet appareil. Les enfants doivent être sous la surveillance d'un adulte afin de s'assurer qu'ils ne jouent pas avec l'appareil.
10. Soyez toujours très prudent et attentif lorsque vous utilisez l'outil.
11. N'utilisez l'outil que si vous êtes en bonne condition physique. Travaillez toujours en faisant preuve de calme et de prudence. Faites preuve de bons sens et gardez à l'esprit que l'opérateur ou l'utilisateur est responsable des accidents ou risques encourus par les personnes ou leur propriété.
12. N'utilisez jamais l'outil lorsque vous êtes fatigué, malade ou sous l'emprise d'alcool, de drogues ou de médicaments.
13. Si vous remarquez un fonctionnement inhabituel de l'outil, éteignez-le immédiatement.

Utilisation prévue de l'outil

1. Utilisez le bon outil. Le coupe herbe sans fil est exclusivement conçu pour couper l'herbe ou les mauvaises herbes à racines fines. Il ne doit pas être utilisé à d'autres fins, pour tailler des haies, par exemple, sous peine de provoquer des blessures.

Équipement de protection individuelle

► Fig.1

► Fig.2

1. Portez des vêtements adéquats. Les vêtements portés doivent être fonctionnels et adéquats, c'est-à-dire moulants sans être toutefois gênants. Ne portez ni bijoux ni vêtements susceptibles de s'enchevêtrer dans l'herbe haute. Portez un filet à cheveux pour retenir les cheveux longs.
2. Lorsque vous utilisez l'outil, portez toujours des chaussures robustes à semelles antidérapantes. Ceci vous protégera des blessures et garantira un bon appui.
3. Portez des lunettes de protection ou des lunettes à coques.

Sécurité électrique et sécurité des batteries

1. Évitez les environnements dangereux. N'utilisez pas l'outil dans un endroit humide, ni ne l'exposez à la pluie. Le risque d'électrocution augmente si de l'eau pénètre dans l'outil.

2. Rechargez la batterie uniquement avec le chargeur spécifié par le fabricant. Un chargeur prévu pour un type de batterie peut être à l'origine d'un incendie s'il est utilisé avec une autre batterie.
3. Utilisez l'outil électrique uniquement avec la batterie spécifiquement indiquée. L'utilisation de toute autre batterie peut présenter un risque de blessure et d'incendie.
4. Lorsque vous n'utilisez pas la batterie, tenez-la à l'écart des objets métalliques, comme des trombones, pièces de monnaie, clés, clous, vis ou autres petits objets métalliques, susceptibles de créer une connexion entre deux bornes. Court-circuiter les bornes d'une batterie entre elles peut provoquer des brûlures ou un incendie.
5. Dans des conditions d'utilisation inadéquate, il peut y avoir une fuite de l'électrolyte de la batterie. Le cas échéant, évitez tout contact avec ce liquide. En cas de contact accidentel, rincez à l'eau. Si le liquide entre en contact avec les yeux, consultez un médecin. Le liquide s'échappant de la batterie peut provoquer une irritation ou des brûlures.
6. Ne jetez pas la ou les batteries au feu. L'élément de la pile pourrait exploser. Consultez les codes locaux pour de possibles instructions de mise au rebut spéciales.
7. N'ouvrez ni ne manipulez la ou les batteries. L'électrolyte qui s'échappe de la batterie est corrosif et peut irriter la peau ou les yeux. Il peut être toxique en cas d'ingestion.

Mise en marche de l'outil

► Fig.3

1. Assurez-vous qu'il n'y a pas d'enfants ou d'autres personnes dans un rayon de 15 m autour de la zone de travail. Faites également attention aux animaux à proximité. Autrement, arrêtez d'utiliser l'outil.
2. Avant de l'utiliser, vérifiez toujours la sécurité de l'outil. Vérifiez la sécurité de l'outil de coupe, du carter de protection et de la gâchette ou du levier pour un fonctionnement facile et correct. Vérifiez que les poignées sont propres et sèches et testez la fonction de marche/arrêt de la gâchette.
3. Vérifiez qu'aucune pièce n'est endommagée avant de continuer à utiliser l'outil. Vérifiez soigneusement le carter de protection ou toute autre pièce endommagés pour vous assurer qu'ils fonctionnent bien et remplissent leurs fonctions respectives. Assurez-vous que les pièces en mouvement ne sont pas désalignées ou coincées, qu'aucune pièce ou fixation n'est cassée ou la présence de toute autre condition pouvant affecter le bon fonctionnement. Si le carter de protection ou toute autre pièce sont endommagés, ils doivent être réparés ou remplacés de manière adéquate par notre centre de service après-vente agréé sauf indication contraire dans ce manuel.
4. Démarrez le moteur uniquement lorsque les mains et les pieds sont éloignés de l'outil de coupe.

5. Avant la mise en marche, assurez-vous que l'outil de coupe n'entre pas en contact avec des objets durs comme des branches, des pierres ou autres, car l'outil de coupe tourne au démarrage.

Utilisation

1. N'utilisez jamais la machine si le carter de protection est endommagé ou n'est pas posé.
2. N'utilisez l'outil qu'avec une bonne visibilité et un bon éclairage. En hiver, faites attention aux sols glissants ou aux zones humides, à la glace et à la neige (risque de glissade). Assurez-vous toujours d'avoir une bonne assise.
3. Prenez garde de ne pas vous blesser les pieds et les mains avec l'outil de coupe.
4. Éloignez les mains et les pieds du mécanisme de coupe en tout temps et particulièrement au démarrage du moteur.
5. Ne réalisez jamais de coupe plus haut que votre taille.
6. N'utilisez jamais l'outil en vous tenant sur une échelle.
7. Ne travaillez jamais sur des surfaces instables.
8. Ne vous penchez pas trop loin. Maintenez constamment une bonne assise et un bon équilibre.
9. Enlevez le sable, les pierres, les clous ou autres se trouvant dans le rayon d'utilisation de l'outil. Les corps étrangers peuvent endommager l'outil de coupe et être projetés, provoquant de graves blessures.
10. Si l'outil de coupe heurte des pierres ou d'autres objets durs, coupez immédiatement le moteur et inspectez l'outil de coupe.
11. Attendez que l'outil de coupe atteigne sa pleine vitesse pour commencer la coupe.
12. Tenez toujours l'outil à deux mains pendant le fonctionnement. Ne tenez jamais l'outil d'une seule main pendant le fonctionnement. Assurez-vous toujours d'avoir une bonne assise.
13. L'ensemble des dispositifs de protection comme les carters de protection fournis avec l'outil doivent être utilisés pendant le fonctionnement de l'outil.
14. Sauf en cas d'urgence, ne laissez jamais tomber l'outil, ni ne le lancez au sol sous peine de gravement l'endommager.
15. Ne traînez pas l'outil au sol en vous déplaçant d'un endroit à l'autre sous peine d'endommager l'outil.
16. Retirez toujours la batterie de l'outil :
 - chaque fois que vous devez laisser l'outil sans surveillance ;
 - avant de débloquer l'outil ;
 - avant d'effectuer la vérification, le nettoyage ou l'entretien de l'outil ;
 - avant d'effectuer tout réglage, de remplacer des accessoires ou de ranger l'outil ;
 - chaque fois que l'outil se met à vibrer de manière inhabituelle ;
 - chaque fois que vous transportez l'outil.

17. Ne forcez jamais sur l'outil. Si vous respectez le régime pour lequel il a été conçu, il réalisera un travail de meilleure qualité et avec moins de risque de blessures.
18. N'utilisez pas un outil électrique dans un environnement explosif, en présence de liquides, gaz ou poussières inflammables par exemple. Les outils électriques produisent des étincelles qui peuvent enflammer la poussière ou les émanations.
19. **Reposez-vous régulièrement pour empêcher la perte du contrôle due à la fatigue.** Nous recommandons de faire une pause de 10 à 20 minutes toutes les heures.

Instructions d'entretien

1. Vérifiez l'état de l'outil de coupe, des dispositifs de protection et de la bandoulière avant de commencer la tâche.
2. Coupez le moteur et retirez la batterie avant d'effectuer l'entretien, de remplacer l'outil de coupe ou de nettoyer l'outil.
3. Après utilisation, déconnectez la batterie de l'outil et vérifiez les dégâts.
4. Assurez-vous qu'il n'y a pas de fixations mal serrées ni de pièces endommagées, comme des chutes à moitié découpées dans l'outil de coupe.
5. Rangez l'appareil dans un endroit sec fermé ou hors de portée des enfants lorsque vous ne l'utilisez pas.
6. N'utilisez que les pièces de rechange et accessoires recommandés par le fabricant.
7. Assurez-vous toujours que les bouches d'aération ne sont pas obstruées par des débris.
8. Procédez régulièrement à l'inspection et à l'entretien de l'outil, particulièrement avant/après son utilisation. Faites réparer l'outil uniquement par notre centre de service après-vente agréé.
9. Gardez toutes les poignées sèches, propres et sans trace d'huile ou de graisse.

CONSERVEZ CES INSTRUCTIONS.

⚠ AVERTISSEMENT : NE vous laissez PAS tromper (au fil d'une utilisation répétée) par un sentiment d'aisance et de familiarité avec le produit, en négligeant le respect rigoureux des consignes de sécurité qui accompagnent le produit en question. La MAUVAISE UTILISATION de l'outil ou l'ignorance des consignes de sécurité indiquées dans ce mode d'emploi peut entraîner de graves blessures.

Consignes de sécurité importantes pour la batterie

1. Avant d'utiliser la batterie, lisez toutes les instructions et précautions relatives (1) au chargeur de batterie, (2) à la batterie, et (3) au produit utilisant la batterie.
2. Ne démontez pas la batterie.

3. **Cessez immédiatement l'utilisation si le temps de fonctionnement devient excessivement court. Il y a risque de surchauffe, de brûlures, voire d'explosion.**
4. **Si l'électrolyte pénètre dans vos yeux, rincez-les à l'eau claire et consultez immédiatement un médecin. Il y a risque de perte de la vue.**
5. **Ne court-circuitez pas la batterie :**
 - (1) **Ne touchez les bornes avec aucun matériau conducteur.**
 - (2) **Évitez de ranger la batterie dans un conteneur avec d'autres objets métalliques, par exemple des clous, des pièces de monnaie, etc.**
 - (3) **N'exposez pas la batterie à l'eau ou à la pluie.**

Un court-circuit de la batterie peut provoquer une intensité de courant élevée, une surchauffe, parfois des brûlures et même une panne.

6. **Ne rangez pas l'outil et la batterie dans un endroit où la température risque d'atteindre ou de dépasser 50 °C.**
7. **Ne jetez pas la batterie au feu même si elle est sérieusement endommagée ou complètement épuisée. La batterie peut exploser au contact du feu.**
8. **Évitez de laisser tomber ou de cogner la batterie.**
9. **N'utilisez pas la batterie si elle est endommagée.**
10. **Les batteries au lithium-ion contenues sont soumises aux exigences de la législation sur les marchandises dangereuses.**
Lors du transport commercial par des tierces parties ou des transitaires par exemple, des exigences spécifiques en matière d'étiquetage et d'emballage doivent être respectées.

Pour la préparation de l'article expédié, il est nécessaire de consulter un expert en matériau dangereux. Veuillez également respecter les réglementations nationales susceptibles d'être plus détaillées.

Recouvrez les contacts exposés avec du ruban adhésif ou du ruban de masquage et emballez la batterie de telle sorte qu'elle ne puisse pas bouger dans l'emballage.

11. **Suivez les réglementations locales en matière de mise au rebut des batteries.**

CONSERVEZ CES INSTRUCTIONS.

⚠ ATTENTION : N'utilisez que des batteries Makita d'origine. L'utilisation de batteries de marque autre que Makita ou de batteries modifiées peut provoquer l'explosion des batteries, ce qui présente un risque d'incendie, de dommages matériels et corporels. Cela annulera également la garantie Makita pour l'outil et le chargeur Makita.

Conseils pour assurer la durée de vie optimale de la batterie

1. **Chargez la batterie avant qu'elle ne soit complètement déchargée. Arrêtez toujours l'outil et rechargez la batterie quand vous remarquez que la puissance de l'outil diminue.**
2. **Ne rechargez jamais une batterie complètement chargée. La surcharge réduit la durée de service de la batterie.**
3. **Chargez la batterie à une température ambiante comprise entre 10 °C et 40 °C. Avant de charger une batterie chaude, laissez-la refroidir.**
4. **Rechargez la batterie si elle est restée inutilisée pendant une période prolongée (plus de six mois).**

DESCRIPTION DES PIÈCES

► Fig.4

1	Batterie	2	Levier de sécurité	3	Gâchette	4	Dispositif de suspension
5	Poignée	6	Protecteur (carter de protection de l'outil de coupe)	7	Gaine de protection	8	Levier de verrouillage (DUR188U et DUR188L uniquement)
9	Cache-jonction (DUR188U et DUR188L uniquement)	10	Capuchon (DUR188U et DUR188L uniquement)	11	Indicateur de vitesse	12	Indicateur de commande de vitesse automatique
13	Témoin d'alimentation	14	Bouton d'alimentation principale	15	Bouton de marche arrière	16	Bandoulière

* La forme du protecteur est différente selon le pays.

DESCRIPTION DU FONCTIONNEMENT

⚠️ AVERTISSEMENT : Assurez-vous toujours que l'outil est hors tension et que la batterie est retirée avant de régler ou de vérifier le fonctionnement de l'outil. En ne mettant pas l'outil hors tension et en ne retirant pas la batterie, vous risqueriez de vous blesser grièvement en cas de démarrage accidentel.

Insertion ou retrait de la batterie

⚠️ ATTENTION : Éteignez toujours l'outil avant de mettre en place ou de retirer la batterie.

⚠️ ATTENTION : Tenez fermement l'outil et la batterie lors de la mise en place ou du retrait de la batterie. Si vous ne tenez pas fermement l'outil et la batterie, ils peuvent vous glisser des mains, et s'abîmer ou vous blesser.

► **Fig.5:** 1. Voyant rouge 2. Bouton 3. Batterie

Pour retirer la batterie, faites-la glisser hors de l'outil tout en faisant glisser le bouton à l'avant de la batterie.










Pour mettre en place la batterie, alignez la languette sur la batterie avec la rainure sur le compartiment et insérez-la. Insérez-la à fond jusqu'à ce qu'un léger déclic se fasse entendre. Si le voyant rouge sur le dessus du bouton est visible, cela signifie qu'elle n'est pas bien verrouillée.

⚠️ ATTENTION : Insérez toujours complètement la batterie jusqu'à ce que le voyant rouge ne soit plus visible. Sinon, elle pourrait tomber accidentellement de l'outil, au risque de vous blesser ou de blesser quelqu'un se trouvant près de vous.


⚠️ ATTENTION : N'insérez pas la batterie de force. Si elle ne glisse pas facilement, c'est que vous ne l'insérez pas correctement.

Système de protection de l'outil/la batterie

L'outil est équipé d'un système de protection de l'outil/la batterie. Ce système coupe automatiquement l'alimentation vers le moteur pour prolonger la durée de vie de l'outil et de la batterie. Si l'outil ou la batterie se trouve dans l'une des situations suivantes, l'outil cessera automatiquement de fonctionner.

État	Témoins		
	■ Allumé	□ Éteint	▣ Clignotant
Surcharge			
Surchauffe			
Décharge excessive			


Protection contre la surcharge

Si l'outil est surchargé par un enchevêtrement de mauvaises herbes ou d'autres débris, les indicateurs  et intermédiaires se mettent à clignoter et l'outil s'arrête automatiquement.

Dans ce cas, éteignez l'outil et arrêtez la tâche ayant provoqué la surcharge de l'outil. Puis rallumez l'outil pour reprendre la tâche.


Protection contre la surchauffe de l'outil ou de la batterie

Deux types de surchauffe sont possibles : surchauffe de l'outil et surchauffe de la batterie. En cas de surchauffe de l'outil, tous les indicateurs de vitesse clignotent.

En cas de surchauffe de la batterie, les indicateurs  clignotent.

En cas de surchauffe, l'outil s'arrête automatiquement. Laissez l'outil et/ou la batterie refroidir avant de rallumer l'outil.

Protection contre la décharge totale de la batterie

Lorsque la charge restante de la batterie devient très faible, l'outil s'arrête automatiquement et l'indicateur  clignote.

Si l'outil ne fonctionne pas même en actionnant les interrupteurs, retirez les batteries de l'outil et chargez-les.

Indication de la charge restante de la batterie

Uniquement pour les batteries avec voyant lumineux

► **Fig.6:** 1. Témoins 2. Bouton de vérification

Appuyez sur le bouton de vérification sur la batterie pour indiquer la charge restante de la batterie. Les témoins s'allument pendant quelques secondes.

Témoins			Charge restante
Allumé	Éteint	Clignotant	
■	□	◐	75 % à 100 %
■	■	■	
■	■	□	
■	□	□	
■	□	□	50 % à 75 %
■	■	□	25 % à 50 %
■	□	□	0 % à 25 %
◐	□	□	Chargez la batterie.
■	■	□	Anomalie possible de la batterie.
□	□	■	

NOTE : Selon les conditions d'utilisation et la température ambiante, l'indication peut être légèrement différente de la capacité réelle.

Fonctionnement de l'interrupteur d'alimentation

AVERTISSEMENT : Avant d'insérer la batterie dans l'outil, vérifiez toujours que la gâchette fonctionne correctement et revient en position d'arrêt lorsqu'elle est relâchée. L'utilisation d'un outil dont la gâchette est défectueuse comporte un risque de perte de contrôle et de graves blessures.

ATTENTION : Ne placez jamais votre doigt sur l'interrupteur lors du transport. L'outil risquerait de démarrer brusquement et de provoquer des blessures.

Maintenez enfoncé le bouton d'alimentation principale pendant quelques secondes pour mettre l'outil sous tension. Pour mettre l'outil hors tension, maintenez à nouveau enfoncé le bouton d'alimentation principale.

► **Fig.7:** 1. Bouton d'alimentation principale

Un levier de sécurité est fourni pour prévenir l'activation accidentelle de la gâchette.

Pour démarrer l'outil, saisissez la poignée (le levier de sécurité est alors relâché), puis enclenchez la gâchette. Pour arrêter l'outil, relâchez la gâchette.

DUR187U et DUR188U

► **Fig.8:** 1. Levier de sécurité 2. Gâchette

DUR187L et DUR188L

► **Fig.9:** 1. Levier de sécurité 2. Gâchette

NOTE : L'outil s'éteint automatiquement s'il n'est pas utilisé pendant plus d'une minute.

Réglage de la vitesse

Vous pouvez régler la vitesse de l'outil en touchant le bouton d'alimentation principale. Chaque fois que vous touchez le bouton d'alimentation principale, le niveau de vitesse change.

► **Fig.10:** 1. Bouton d'alimentation principale

Indicateur	Mode	Vitesse de rotation
	Auto	4 000 à 6 000 min ⁻¹
	Élevé	6 000 min ⁻¹
	Moyen	5 000 min ⁻¹
	Faible	4 000 min ⁻¹

Bouton de marche arrière pour le retrait des débris

AVERTISSEMENT : Mettez l'outil hors tension et retirez la batterie avant de retirer un enchevêtrement de mauvaises herbes ou des débris que la fonction de rotation inverse ne peut pas retirer. En ne mettant pas l'outil hors tension et en ne retirant pas la batterie, vous risqueriez de vous blesser grièvement en cas de démarrage accidentel.

Cet outil est pourvu d'un bouton de marche arrière permettant de changer le sens de rotation. Il sert uniquement à retirer les mauvaises herbes et débris pris dans l'outil.

Pour inverser la rotation, touchez le bouton de marche arrière et enclenchez la gâchette une fois que la tête de l'outil s'est arrêtée. Le témoin d'alimentation se met à clignoter et la tête de l'outil tourne en sens inverse lorsque vous enclenchez la gâchette.

Pour revenir à la rotation normale, relâchez la gâchette et attendez que la tête de l'outil s'arrête.

► **Fig.11:** 1. Bouton de marche arrière

NOTE : Pendant la rotation inverse, l'outil ne fonctionne que pendant une courte période et s'arrête automatiquement.

NOTE : Une fois que l'outil est arrêté, la rotation revient au sens habituel lorsque vous redémarrez l'outil.

NOTE : Si vous touchez le bouton de marche arrière alors que la tête de l'outil tourne encore, l'outil s'arrête en vue de la rotation inverse.

Tête de coupe à fil nylon

Accessoire en option

REMARQUE : L'avance par frappe au sol ne fonctionnera pas correctement si la tête ne tourne pas.

► **Fig.12:** 1. Zone de coupe la plus efficace

La tête de coupe à fil nylon est une tête de coupe herbe double fil avec un mécanisme d'avance par frappe. Pour faire sortir le cordon en nylon, cognez la tête de coupe contre le sol pendant qu'elle tourne.

NOTE : Si le cordon en nylon ne sort pas lorsque vous cognez la tête, rembobinez ou remplacez le cordon en nylon en procédant comme décrit dans « Entretien ».

ASSEMBLAGE

⚠AVERTISSEMENT : Assurez-vous toujours que l'outil est éteint et que la batterie est retirée avant de procéder à n'importe quelle tâche sur l'outil. En ne mettant pas l'outil hors tension et en ne retirant pas la batterie, vous risqueriez de vous blesser grièvement en cas de démarrage accidentel.

⚠AVERTISSEMENT : Ne démarrez l'outil que si ses pièces sont toutes montées. Si vous utilisez un outil dont les pièces sont partiellement montées, vous risqueriez de vous blesser grièvement en cas de démarrage accidentel.

Installation de la poignée

Pour DUR187U et DUR188U uniquement

1. Insérez le manche de la poignée dans l'extrémité de la poignée. Alignez le trou de la vis de l'extrémité de la poignée avec celui du manche. Serrez solidement la vis.

► **Fig.13:** 1. Extrémité de la poignée 2. Vis 3. Poignée

2. Placez la poignée entre le dispositif de serrage de la poignée et le porte-poignée. Réglez la poignée à un angle fournissant une position de travail confortable, puis fixez les boulons à tête cylindrique à six pans creux.

► **Fig.14:** 1. Boulon à tête cylindrique à six pans creux
2. Dispositif de serrage de la poignée

Fixation du tuyau pour accessoire

Pour DUR188U et DUR188L uniquement

Fixez le tuyau pour accessoire à l'outil motorisé.

1. Tournez le levier dans le sens de la flèche indiqué sur la figure.

► **Fig.15:** 1. Levier

2. Soulevez le cache-jonction et insérez le tuyau pour accessoire tout en alignant la saillie du tuyau (côté outil de coupe) sur la partie concave de la pièce de jonction.

► **Fig.16:** 1. Levier de verrouillage 2. Cache-jonction
3. Tuyau

Assurez-vous que la surface du levier de verrouillage est parallèle au tuyau.

3. Tournez le levier dans le sens de la flèche indiqué sur la figure.

► **Fig.17:** 1. Levier

Pour retirer le tuyau, tournez le levier dans le sens de la flèche indiqué sur la figure et tirez sur le tuyau pour le sortir tout en enfonçant le levier de verrouillage.

► **Fig.18:** 1. Levier 2. Levier de verrouillage 3. Tuyau

Installation du carter de protection

⚠AVERTISSEMENT : N'utilisez jamais l'outil sans le carter de protection illustré en place. Vous risqueriez autrement de vous blesser grièvement.

⚠ATTENTION : Prenez garde de ne pas vous blesser avec l'outil de coupe lorsque vous coupez le cordon en nylon.

NOTE : La forme du protecteur est différente selon le pays.

1. Alignez les saillies sur le protecteur avec les rainures sur le carter du moteur.

► **Fig.19:** 1. Protecteur 2. Rainure 3. Saillie

2. Alignez les saillies sur le support du protecteur avec celles sur le carter du moteur.

► **Fig.20:** 1. Support du protecteur 2. Saillie

3. Serrez solidement les boulons à tête cylindrique à six pans creux pour serrer le protecteur et le support du protecteur.

► **Fig.21:** 1. Boulon à tête cylindrique à six pans creux
2. Clé hexagonale

Installation de la gaine de protection

⚠ATTENTION : Avant d'ajuster la gaine de protection, attendez que la tête de coupe soit complètement immobilisée. N'ajustez pas la gaine de protection avec le pied.

► **Fig.22**

Pour réduire le risque d'endommager les objets se trouvant devant la tête de coupe, insérez la gaine de protection pour qu'elle contrôle le rayon de coupe des fils de coupe.

Tirez légèrement la gaine de protection vers l'extérieur, puis insérez-la dans les orifices du protecteur.

► **Fig.23:** 1. Gaine de protection

NOTE : Ne tirez pas trop sur la gaine de protection. Vous risqueriez de la rompre.

Lorsque vous n'utilisez pas la gaine de protection, soulevez-la en position de repos.

► **Fig.24**

Installation de la tête de coupe à fil nylon

Accessoire en option

⚠ATTENTION : Si la tête de coupe à fil nylon heurte accidentellement une pierre ou un objet dur en cours de fonctionnement, arrêtez l'outil et cherchez d'éventuels dommages. Si la tête de coupe à fil nylon est endommagée, remplacez-la immédiatement. L'utilisation d'un outil de coupe endommagé présente un risque de grave blessure.

⚠ATTENTION : Veillez à retirer la clé hexagonale après l'installation.

REMARQUE : Utilisez toujours une tête de coupe à fil nylon de marque Makita.

► **Fig.25:** 1. Tête de coupe à fil nylon 2. Protection en métal 3. Broche 4. Clé hexagonale

1. Retournez l'outil pour pouvoir remplacer facilement l'outil de coupe.
2. Insérez la clé hexagonale par l'orifice sur le carter du moteur et faites tourner la broche jusqu'à ce qu'elle soit verrouillée.
3. Placez directement la tête de coupe à fil nylon sur la broche filetée et serrez-la en la tournant dans le sens inverse des aiguilles d'une montre.
4. Retirez la clé hexagonale.

Pour retirer la tête de coupe à fil nylon, tournez-la dans le sens des aiguilles d'une montre tout en maintenant la rondelle d'appui avec la clé hexagonale.

Installation de la lame en plastique

Accessoire en option

⚠ ATTENTION : Si la lame en plastique frappe accidentellement une pierre ou un objet dur pendant le fonctionnement, arrêtez l'outil et vérifiez l'absence de dommages. Si la lame en plastique est endommagée, remplacez-la immédiatement. L'utilisation d'un outil de coupe endommagé présente un risque de grave blessure.

⚠ ATTENTION : Veillez à retirer la clé hexagonale après l'installation.

REMARQUE : Veillez à utiliser une lame en plastique Makita d'origine.

► **Fig.26:** 1. Lame en plastique 2. Protection en métal 3. Clé hexagonale

1. Retournez l'outil pour pouvoir remplacer facilement l'outil de coupe.
2. Insérez la clé hexagonale par l'orifice sur le carter du moteur et faites tourner la broche jusqu'à ce qu'elle soit verrouillée.
3. Placez la lame en plastique directement sur la broche filetée et serrez-la en la tournant dans le sens inverse des aiguilles d'une montre.
4. Retirez la clé hexagonale.

Pour retirer la lame en plastique, tournez-la dans le sens des aiguilles d'une montre tout en maintenant la rondelle d'appui avec la clé hexagonale.

Réglage de la position de la poignée ou du dispositif de suspension

Réglez la position de la poignée et du dispositif de suspension pour obtenir un maniement confortable de l'outil.

Pour DUR187U et DUR188U

Desserrez les boulons à tête cylindrique à six pans creux au bas du porte-poignée. Déplacez la poignée sur une position de travail confortable, puis serrez les boulons.

► **Fig.27:** 1. Porte-poignée 2. Boulon à tête cylindrique à six pans creux 3. Poignée

Desserrez les boulons à tête cylindrique à six pans creux sur le dispositif de suspension. Déplacez le dispositif de suspension sur une position de travail confortable, puis serrez les boulons.

► **Fig.28:** 1. Boulon à tête cylindrique à six pans creux 2. Dispositif de suspension

Pour DUR187L et DUR188L

Desserrez les boulons à tête cylindrique à six pans creux sur la poignée. Déplacez la poignée sur une position de travail confortable, puis serrez les boulons.

► **Fig.29:** 1. Boulon à tête cylindrique à six pans creux 2. Poignée

Desserrez le boulon à tête cylindrique à six pans creux sur le dispositif de suspension. Déplacez le dispositif de suspension sur une position de travail confortable, puis serrez le boulon.

► **Fig.30:** 1. Boulon à tête cylindrique à six pans creux 2. Dispositif de suspension

Rangement de la clé hexagonale

⚠ ATTENTION : Veillez à ne pas laisser la clé hexagonale insérée dans la tête de l'outil. Cela peut provoquer des blessures et/ou endommager l'outil.

Lorsque vous n'utilisez pas la clé hexagonale, rangez-la comme illustré sur la figure pour éviter de la perdre.

► **Fig.31:** 1. Clé hexagonale

Pour DUR187L et DUR188L uniquement

► **Fig.32:** 1. Poignée 2. Clé hexagonale

UTILISATION

Manipulation correcte de l'outil

⚠ AVERTISSEMENT : Placez toujours l'outil du côté droit de votre corps. Le bon positionnement de l'outil apporte une maîtrise optimale et réduit le risque de graves blessures provoquées par le recul.

⚠ AVERTISSEMENT : Redoublez de prudence pour garder constamment la maîtrise de l'outil. Ne laissez pas l'outil dévier vers vous ou en direction de quiconque à proximité de la zone de travail. Si vous ne maîtrisez pas l'outil, vous risqueriez de vous blesser et de blesser d'autres personnes.

⚠ AVERTISSEMENT : Pour éviter les accidents, laissez une distance de 15 m entre les utilisateurs lorsque plus de deux personnes travaillent dans la même zone. De plus, prévoyez une personne pour observer la distance entre les utilisateurs. Si une personne ou un animal pénètre dans la zone de travail, cessez immédiatement l'utilisation.

DUR187U et DUR188U

► **Fig.33**

DUR187L et DUR188L

► **Fig.34**

Fixation de la bandoulière

⚠ ATTENTION : Utilisez toujours la bandoulière fixée. Avant utilisation, la bandoulière doit être ajustée selon la taille de l'utilisateur pour éviter la fatigue.

Accrochez le crochet de la bandoulière au dispositif de suspension et enfiler la bandoulière. Assurez-vous que l'outil est maintenu solidement par la bandoulière.

DUR187U et DUR188U

► **Fig.35:** 1. Crochet 2. Dispositif de suspension

DUR187L et DUR188L

► **Fig.36:** 1. Crochet 2. Dispositif de suspension

Retrait

La bandoulière est pourvue d'un système de desserrage rapide.

DUR187U et DUR188U

► **Fig.37:** 1. Bande

En tirant sur la bande, l'outil se décroche de la bandoulière.

DUR187L et DUR188L

► **Fig.38:** 1. Boucle

Il suffit d'appuyer sur les côtés de la boucle pour que l'outil se décroche de la bandoulière.

ENTRETIEN

⚠ AVERTISSEMENT : Assurez-vous toujours que l'outil est hors tension et que la batterie est retirée avant d'effectuer tout travail d'inspection ou d'entretien sur l'outil. En ne mettant pas l'outil hors tension et en ne retirant pas la batterie, vous risqueriez de vous blesser grièvement en cas de démarrage accidentel.

REMARQUE : N'utilisez jamais d'essence, benzine, diluant, alcool ou autre produit similaire. Cela risquerait de provoquer la décoloration, la déformation ou la fissuration de l'outil.

Remplacement du cordon en nylon

⚠ AVERTISSEMENT : Utilisez uniquement un cordon en nylon du diamètre spécifié dans « SPÉCIFICATIONS ». N'utilisez jamais de fils plus épais, de fil métallique, de corde ou autre. Utilisez uniquement le cordon en nylon recommandé sous peine d'endommager l'outil et de provoquer de graves blessures.

⚠ AVERTISSEMENT : Assurez-vous que le couvercle de la tête de coupe à fil nylon est bien fixé au carter comme décrit ci-dessous. Autrement, la tête de coupe à fil nylon pourrait être projetée et provoquer de graves blessures.

1. Appuyez sur les taquets du logement vers l'intérieur pour soulever le couvercle, puis retirez la bobine.

► **Fig.39:** 1. Taquet 2. Couvercle

2. Préparez environ 3 m de cordon en nylon neuf. Dépliez le cordon en nylon neuf avec un côté d'environ 80 mm plus long que l'autre extrémité. Ensuite, accrochez le cordon en nylon neuf dans l'entaille au centre de la bobine.

Enroulez solidement les deux extrémités autour de la bobine dans le sens de rotation de la tête (sens gauche indiqué par LH sur le côté de la bobine).

► **Fig.40:** 1. Bobine

3. Enroulez tout le cordon sauf 100 mm, en laissant les extrémités provisoirement accrochées par une entaille sur le côté de la bobine.

► **Fig.41**

4. Montez la bobine dans le logement de sorte que les rainures et les saillies sur la bobine correspondent à celles dans le logement. Maintenez le côté avec les lettres sur la bobine visible sur le haut. À présent, décrochez les extrémités du cordon de leur position provisoire et faites passer les cordons par les œillets pour qu'ils sortent du logement.

► **Fig.42:** 1. Bobine 2. Logement 3. Œillet

5. Alignez les saillies sous le couvercle avec les fentes des œillets. Puis poussez fermement le couvercle contre le carter pour le fixer en place.

► **Fig.43**

Remplacement de la lame en plastique

Remplacez la lame si elle est usée ou cassée.

► **Fig.44**

Lorsque vous installez la lame en plastique, alignez le sens de la flèche sur la lame avec celle du protecteur.

► **Fig.45:** 1. Flèche sur le protecteur 2. Flèche sur la lame

Pour assurer la SÉCURITÉ et la FIABILITÉ du produit, toute réparation, tout travail d'entretien ou de réglage doivent être effectués par un centre d'entretien Makita agréé, avec des pièces de rechange Makita.

GUIDE DE DÉPANNAGE

Avant de faire une demande de réparation, effectuez d'abord vous-même une inspection. Si vous rencontrez un problème non documenté dans le mode d'emploi, n'essayez pas de démonter l'outil. Demandez plutôt à un centre de service après-vente Makita agréé d'effectuer la réparation au moyen de pièces de rechange Makita.

État d'anomalie	Cause probable (dysfonctionnement)	Solution
Le moteur ne tourne pas.	La batterie n'est pas installée.	Installez la batterie.
	Problème de batterie (sous tension)	Rechargez la batterie. Si vous n'arrivez pas à recharger la batterie, remplacez-la.
	Le mécanisme d'entraînement ne fonctionne pas correctement.	Demandez à votre centre de service après-vente local agréé d'effectuer la réparation.
Le moteur s'arrête au bout d'un court moment.	La charge de la batterie est faible.	Rechargez la batterie. Si vous n'arrivez pas à recharger la batterie, remplacez-la.
	Surchauffe.	Arrêtez d'utiliser l'outil pour le laisser refroidir.
Il ne tourne pas à plein régime.	La batterie n'est pas bien installée.	Installez la batterie comme décrit dans ce mode d'emploi.
	La batterie faiblit.	Rechargez la batterie. Si vous n'arrivez pas à recharger la batterie, remplacez-la.
	Le mécanisme d'entraînement ne fonctionne pas correctement.	Demandez à votre centre de service après-vente local agréé d'effectuer la réparation.
L'outil de coupe ne tourne pas : ⇒ arrêtez immédiatement la machine !	Un corps étranger, comme une branche, est coincé entre le carter de protection et la tête de coupe à fil nylon.	Retirez le corps étranger.
	Le mécanisme d'entraînement ne fonctionne pas correctement.	Demandez à votre centre de service après-vente local agréé d'effectuer la réparation.
Vibration anormale : ⇒ arrêtez immédiatement la machine !	Une extrémité du cordon en nylon est cassée.	Cognez la tête de coupe à fil nylon contre le sol pendant qu'elle tourne pour faire sortir le cordon.
	Le mécanisme d'entraînement ne fonctionne pas correctement.	Demandez à votre centre de service après-vente local agréé d'effectuer la réparation.
L'outil de coupe et le moteur ne s'arrêtent pas : ⇒ retirez immédiatement la batterie !	Dysfonctionnement électrique ou électronique.	Retirez la batterie et demandez à votre centre de service après-vente local agréé d'effectuer la réparation.

ACCESSOIRES EN OPTION

⚠ AVERTISSEMENT : Ne montez pas une lame métallique sur cet outil et utilisez uniquement les accessoires ou fixations recommandés indiqués dans ce mode d'emploi. L'utilisation d'une lame métallique ou de tout autre accessoire ou fixation présente un risque de grave blessure.

⚠ ATTENTION : Ces accessoires ou pièces complémentaires sont recommandés pour l'utilisation avec l'outil Makita spécifié dans ce mode d'emploi. L'utilisation de tout autre accessoire ou pièce complémentaire peut comporter un risque de blessure. N'utilisez les accessoires ou pièces complémentaires qu'aux fins auxquelles ils ont été conçus.

Pour obtenir plus de détails sur ces accessoires, contactez votre centre d'entretien local Makita.

- Tête de coupe à fil nylon
- Cordon en nylon (fil de coupe)
- Lame en plastique
- Batterie et chargeur Makita d'origine

NOTE : Il se peut que certains éléments de la liste soient compris dans l'emballage de l'outil en tant qu'accessoires standard. Ils peuvent varier d'un pays à l'autre.

TECHNISCHE DATEN

Modell:		DUR187U	DUR187L	DUR188U	DUR188L
Handgrifftyp		Doppelgriffstange	Bügelgriff	Doppelgriffstange	Bügelgriff
Leerlaufdrehzahl		4.000/5.000/6.000 min ⁻¹			
Gesamtlänge (ohne Schneidwerkzeug)		1.791 mm			
Nylonfaden-Durchmesser		2,0 - 2,4 mm			
Verwendbares Schneidwerkzeug und Schnittdurchmesser	Nylonfadenkopf (Teilenummer 123932-5)	300 mm			
	Kunststoffmesser (Teilenummer 123954-5)	255 mm			
Nennspannung		18 V Gleichstrom			
Nettogewicht (bei Verwendung von BL1830B)	mit Nylonfadenkopf	3,8 kg	3,6 kg	4,1 kg	3,9 kg
	mit Kunststoffmesser	3,9 kg	3,6 kg	4,1 kg	3,9 kg
Akku		BL1815N, BL1820, BL1820B, BL1830, BL1830B, BL1840, BL1840B, BL1850, BL1850B, BL1860B			

- Wir behalten uns vor, Änderungen der technischen Daten im Zuge der Entwicklung und des technischen Fortschritts ohne vorherige Ankündigung vorzunehmen.
- Die technischen Daten und der Akku können von Land zu Land unterschiedlich sein.
- Gewicht mit Akku nach EPTA-Verfahren 01/2003

Geräusch

Zutreffender Standard : 2000/14/EC

Modell	Typ	Durchschnittlicher Schallleistungspegel		
		Durchschnittlicher Schalldruckpegel L _{PA} (dB(A))	L _{WA} (dB (A))	Messunsicherheit K (dB (A))
DUR187U	Nylonfadenkopf	74	84	6,0
	Kunststoffmesser	79	88	0,8
DUR187L	Nylonfadenkopf	74	84	6,0
	Kunststoffmesser	79	88	0,8
DUR188U	Nylonfadenkopf	74	84	6,0
	Kunststoffmesser	79	88	0,8
DUR188L	Nylonfadenkopf	74	84	6,0
	Kunststoffmesser	79	88	0,8

- Selbst wenn der oben aufgeführte Schalldruckpegel 80 dB (A) oder weniger beträgt, kann der bei der Arbeit erzeugte Schalldruckpegel 80 dB (A) überschreiten. Tragen Sie einen Gehörschutz.

Vibrationen

Zutreffender Standard : EN50636-2-91

Modell	Typ	Linksdrehung		Rechtsdrehung	
		a _{h,w} (m/s ²)	Messunsicherheit K (m/s ²)	a _{h,w} (m/s ²)	Messunsicherheit K (m/s ²)
DUR187U	Nylonfadenkopf	≤ 2,5	1,5	≤ 2,5	1,5
	Kunststoffmesser	≤ 2,5	1,5	≤ 2,5	1,5
DUR187L	Nylonfadenkopf	≤ 2,5	1,5	≤ 2,5	1,5
	Kunststoffmesser	≤ 2,5	1,5	≤ 2,5	1,5

DUR188U	Nylonfadenkopf	≤ 2,5	1,5	≤ 2,5	1,5
	Kunststoffmesser	≤ 2,5	1,5	≤ 2,5	1,5
DUR188L	Nylonfadenkopf	≤ 2,5	1,5	≤ 2,5	1,5
	Kunststoffmesser	≤ 2,5	1,5	≤ 2,5	1,5

HINWEIS: Der angegebene Schwingungsemissionswert wurde im Einklang mit der Standardprüfmethode gemessen und kann für den Vergleich zwischen Werkzeugen herangezogen werden.


HINWEIS: Der angegebene Schwingungsemissionswert kann auch für eine Vorbewertung des Gefährdungsgrads verwendet werden.


⚠️ WARNUNG: Die Schwingungsemission während der tatsächlichen Benutzung des Elektrowerkzeugs kann je nach der Benutzungsweise des Werkzeugs vom angegebenen Emissionswert abweichen.


⚠️ WARNUNG: Identifizieren Sie Sicherheitsmaßnahmen zum Schutz des Benutzers anhand einer Schätzung des Gefährdungsgrads unter den tatsächlichen Benutzungsbedingungen (unter Berücksichtigung aller Phasen des Arbeitszyklus, wie z. B. Ausschalt- und Leerlaufzeiten des Werkzeugs zusätzlich zur Betriebszeit).


Symbole


Nachfolgend werden die für das Gerät verwendeten Symbole beschrieben. Machen Sie sich vor der Benutzung mit ihrer Bedeutung vertraut.


 Besondere Umsicht und Aufmerksamkeit erforderlich.


 Betriebsanleitung lesen.


 Gefahr durch herausgeschleuderte Objekte.


 Der Abstand zwischen dem Werkzeug und Umstehenden sollte mindestens 15 m betragen.


 Umstehende Personen fern halten.


 Mindestens 15 m Abstand halten.


 Helm, Schutzbrille und Gehörschutz tragen.


 Schutzhandschuhe tragen.

 Festes Schuhwerk mit rutschfesten Sohlen tragen. Sicherheitsschuhe mit Stahl-Zehenkappen werden empfohlen.

 Keiner Feuchtigkeit aussetzen.

 Höchstzulässige Werkzeugdrehzahl.

 Niemals ein Metallmesser verwenden.

 Nur für EG-Länder
Entsorgen Sie Elektrogeräte oder Akkus nicht zusammen mit dem Hausmüll! Unter Einhaltung der Europäischen Richtlinie über Elektro- und Elektronik-Altgeräte, Batterien, Akkus sowie verbrauchte Batterien und Akkus und ihre Umsetzung gemäß den Landesgesetzen müssen Elektrogeräte und Batterien bzw. Akkus, die das Ende ihrer Lebensdauer erreicht haben, getrennt gesammelt und einer umweltgerechten Recycling-Einrichtung zugeführt werden.

EG-Konformitätserklärung

Nur für europäische Länder

Die EG-Konformitätserklärung ist als Anhang A in dieser Bedienungsanleitung enthalten.

SICHERHEITSWARNUNGEN

WICHTIGE SICHERHEITSVORSCHRIFTEN

⚠️ WARNUNG: Lesen Sie alle Sicherheitswarnungen und Anweisungen durch. Eine Missachtung der unten aufgeführten Warnungen und Anweisungen kann zu einem elektrischen Schlag, Brand und/oder schweren Verletzungen führen.

Bewahren Sie alle Warnungen und Anweisungen für spätere Bezugnahme auf.

1. **Machen Sie sich mit den Bedienelementen und dem korrekten Gebrauch der Ausrüstung vertraut.**
2. **Die Schneidelemente drehen sich nach dem Ausschalten des Motors noch weiter.**
3. **Kinder oder Personen, die nicht mit der Anleitung vertraut sind, dürfen die Maschine keinesfalls benutzen.**
4. **Brechen Sie die Benutzung der Maschine ab, während sich Personen, besonders Kinder, oder Haustiere in der Nähe aufhalten.**
5. **Benutzen Sie die Maschine nur bei Tageslicht oder hellem Kunstlicht.**
6. **Überprüfen Sie die Maschine vor der Benutzung und nach einem etwaigen Aufprall auf Anzeichen von Verschleiß oder Beschädigung, und führen Sie gegebenenfalls Reparaturen durch.**

7. Hüten Sie sich vor Verletzungen durch Vorrichtungen, die zum Abschneiden der Fadenlänge angebracht wurden. Nachdem Sie den neuen Schneidfaden ausgezogen haben, bringen Sie die Maschine stets wieder in ihre normale Betriebsposition, bevor Sie sie einschalten.
8. Bringen Sie keinesfalls Schneidelemente aus Metall an.
9. Dieses Gerät ist nicht für den Gebrauch durch Personen (einschließlich Kindern) mit verminderten körperlichen oder geistigen Fähigkeiten oder mangelnder Erfahrung und Kenntnis vorgesehen, es sei denn, sie haben eine Betreuung oder Unterweisung im Gebrauch des Gerätes von einer Person erhalten, die für ihre Sicherheit verantwortlich ist. Kinder sollten beaufsichtigt werden, um sicherzugehen, dass sie nicht mit dem Gerät spielen.
10. Benutzen Sie das Werkzeug mit äußerster Sorgfalt und Aufmerksamkeit.
11. Betreiben Sie das Werkzeug nur, wenn Sie sich in guter körperlicher Verfassung befinden. Führen Sie alle Arbeiten ruhig und sorgfältig durch. Lassen Sie gesunden Menschenverstand walten, und denken Sie daran, dass der Bediener oder Benutzer verantwortlich für Verletzungen oder Sachschäden ist, die an Personen oder ihrem Eigentum entstehen.
12. Betreiben Sie das Werkzeug niemals, wenn Sie müde sind, sich unwohl fühlen oder unter dem Einfluss von Alkohol oder Drogen stehen.
13. Das Werkzeug ist unverzüglich auszuschalten, falls es Anzeichen von ungewöhnlichem Betrieb zeigt.
2. Laden Sie den Akku nur mit dem vom Hersteller vorgeschriebenen Ladegerät. Ein Ladegerät, das für einen Akkutyp geeignet ist, kann bei Verwendung mit einem anderen Akku eine Brandgefahr darstellen.
3. Benutzen Sie Elektrowerkzeuge nur mit den ausdrücklich vorgeschriebenen Akkus. Bei Verwendung irgendwelcher anderer Akkus besteht Verletzungs- und Brandgefahr.
4. Bewahren Sie den Akku bei Nichtgebrauch nicht zusammen mit Metallgegenständen, wie Büroklammern, Münzen, Schlüsseln, Nägeln, Schrauben, und anderen kleinen Metallteilen auf, welche die Kontakte kurzschließen können. Kurzschließen der Akkukontakte kann Verbrennungen oder einen Brand verursachen.
5. Bei Missbrauch kann Flüssigkeit aus dem Akku austreten. Vermeiden Sie Kontakt mit dieser Flüssigkeit. Falls Sie versehentlich mit der Flüssigkeit in Berührung kommen, spülen Sie die betroffenen Stellen mit Wasser ab. Falls die Flüssigkeit in die Augen gelangt, begeben Sie sich in ärztliche Behandlung. Die vom Akku austretende Flüssigkeit kann Hautreizungen oder Verätzungen verursachen.
6. Werfen Sie den (die) Akku(s) nicht ins Feuer. Die Zelle könnte explodieren. Prüfen Sie die örtlichen Vorschriften für mögliche spezielle Entsorgungsanweisungen.
7. Versuchen Sie nicht, den (die) Akku(s) zu öffnen oder zu verstümmeln. Freigesetzter Elektrolyt ist korrosiv und kann Schäden an Augen oder Haut verursachen. Falls er verschluckt wird, kann er giftig sein.

Starten des Werkzeugs

► Abb.3

1. Vergewissern Sie sich, dass sich keine Kinder oder andere Personen innerhalb eines Arbeitsradius von 15 m aufhalten, und achten Sie auch auf Tiere im Arbeitsbereich. Brechen Sie anderenfalls die Benutzung des Werkzeugs ab.
2. Prüfen Sie vor der Benutzung immer, ob das Werkzeug betriebssicher ist. Überprüfen Sie die Sicherheit des Schneidwerkzeugs und der Schutzhaube, und prüfen Sie den Ein-/Aus-Schalter/Hebel auf Leichtgängigkeit und einwandfreie Funktion. Vergewissern Sie sich, dass die Handgriffe sauber und trocken sind, und überprüfen Sie die Ein/Aus-Funktion des Schalters.
3. Überprüfen Sie das Werkzeug vor der Weiterbenutzung auf beschädigte Teile. Beschädigte Schutzvorrichtungen und Teile sind sorgfältig auf ihre Betriebsfähigkeit und Funktionstüchtigkeit hin zu überprüfen. Überprüfen Sie das Werkzeug auf Ausrichtung und Klemmen beweglicher Teile, Bruchstellen, Befestigungszustand und sonstige Mängel von Teilen, die ihren Betrieb beeinträchtigen können. Beschädigte Schutzvorrichtungen oder Teile sollten von einem autorisierten Kundendienstzentrum ordnungsgemäß repariert oder ausgewechselt werden, wenn nicht anders in dieser Anleitung angegeben.

Verwendungszweck des Werkzeugs

1. Benutzen Sie das Werkzeug sachgerecht. Der Akku-Rasentrimmer ist ausschließlich zum Schneiden von Gras und leichtem Unkraut vorgesehen. Er sollte nicht für andere Zwecke, wie z. B. Heckenschneiden, verwendet werden, weil dadurch Verletzungen verursacht werden können.

Persönliche Schutzausrüstung

► Abb.1

► Abb.2

1. Tragen Sie zweckmäßige Kleidung. Die Kleidung soll zweckmäßig und angemessen, d. h. eng anliegend, aber nicht hinderlich sein. Tragen Sie keine Schmuckgegenstände oder Kleidung, die sich an hohem Gras verfangen können. Tragen Sie eine schützende Kopfbedeckung, um langes Haar zu raffen.
2. Tragen Sie bei der Benutzung des Werkzeugs festes Schuhwerk mit rutschfester Sohle. Dies schützt vor Verletzungen und gewährleistet guten Stand.
3. Tragen Sie eine Sicherheits- oder Schutzbrille.

Sicherheit der Elektrik und des Akkus

1. Vermeiden Sie gefährliche Umgebungen. Benutzen Sie das Werkzeug nicht an feuchten oder nassen Orten, und setzen Sie es auch keinem Regen aus. Wasser, das in das Werkzeug eindringt, erhöht die Stromschlaggefahr.

4. Schalten Sie den Motor nur ein, wenn Hände und Füße ausreichenden Abstand vom Schneidwerkzeug haben.
5. Stellen Sie vor dem Starten sicher, dass das Schneidwerkzeug keinen Kontakt mit harten Gegenständen, wie z. B. Ästen, Steinen usw., hat, da sich das Schneidwerkzeug beim Starten dreht.

Betriebsmethode

1. Betreiben Sie die Maschine niemals mit beschädigten oder fehlenden Schutzvorrichtungen.
2. Benutzen Sie das Werkzeug nur bei guten Licht- und Sichtverhältnissen. Achten Sie während der kalten Jahreszeit auf schlüpfrige oder nasse Bereiche, Eis und Schnee (Rutschgefahr). Achten Sie stets auf sicheren Stand.
3. Hüten Sie sich vor Fuß- und Handverletzungen durch das Schneidwerkzeug.
4. Halten Sie Hände und Füße stets von den Schneidelementen fern, besonders beim Einschalten des Motors.
5. Schneiden Sie niemals über der Hüfthöhe.
6. Betreiben Sie das Werkzeug niemals auf einer Leiter stehend.
7. Arbeiten Sie niemals auf instabilen Flächen.
8. Übernehmen Sie sich nicht. Achten Sie stets auf sicheren Stand und gute Balance.
9. Entfernen Sie Sand, Steine, Nägel usw. aus dem Arbeitsbereich. Fremdkörper können das Schneidwerkzeug beschädigen und herausgeschleudert werden, was zu schweren Verletzungen führen kann.
10. Sollte das Schneidwerkzeug Steine oder andere harte Gegenstände treffen, schalten Sie sofort den Motor aus, und überprüfen Sie das Schneidwerkzeug.
11. Vergewissern Sie sich vor Beginn der Schneidarbeit, dass das Schneidwerkzeug die volle Arbeitsdrehzahl erreicht hat.
12. Halten Sie das Werkzeug während des Betriebs immer mit beiden Händen. Halten Sie das Werkzeug während der Benutzung niemals nur mit einer Hand. Achten Sie stets auf sicheren Stand.
13. Alle mit dem Werkzeug gelieferten Schutzvorrichtungen, wie z. B. Schutzhauben, müssen während des Betriebs benutzt werden.
14. Unterlassen Sie Fallenlassen oder Hinwerfen des Werkzeugs, außer in Notfällen, weil das Werkzeug dadurch schwer beschädigt werden kann.
15. Ziehen Sie das Werkzeug niemals über den Boden, wenn Sie es von einem Ort zum anderen transportieren, weil es dadurch beschädigt werden kann.
16. Nehmen Sie immer den Akku vom Werkzeug ab:
 - wann immer Sie das Werkzeug unbeaufsichtigt lassen;
 - bevor Sie eine Blockierung beseitigen;
 - bevor Sie das Werkzeug überprüfen, reinigen oder daran arbeiten;

- bevor Sie Einstellungen vornehmen, Zubehörteile wechseln oder das Werkzeug lagern;
- wann immer das Werkzeug ungewöhnlich zu vibrieren beginnt;
- wann immer Sie das Werkzeug transportieren.

17. Unterlassen Sie jegliche Gewaltanwendung. Bei der Belastung, für die es ausgelegt wurde, verrichtet das Werkzeug die Arbeit besser und mit geringerer Wahrscheinlichkeit von Verletzungsgefahr.
18. Betreiben Sie Elektrowerkzeuge nicht in explosiven Umgebungen, wie z. B. in Gegenwart von brennbaren Flüssigkeiten, Gasen oder Staub. Elektrowerkzeuge erzeugen Funken, die den Staub oder die Dämpfe entzünden können.
19. Machen Sie eine Pause, um durch Müdigkeit verursachten Verlust der Kontrolle zu verhindern. Wir empfehlen, jede Stunde eine Pause von 10 bis 20 Minuten einzulegen.

Wartungsanweisungen

1. Der Zustand des Schneidwerkzeugs, der Schutzvorrichtungen und des Schulterriemens muss vor Beginn der Arbeit überprüft werden.
2. Stellen Sie den Motor ab, und nehmen Sie den Akku ab, bevor Sie Wartungsarbeiten ausführen, das Schneidwerkzeug auswechseln und das Werkzeug reinigen.
3. Trennen Sie den Akku nach dem Gebrauch vom Werkzeug, und überprüfen Sie ihn auf Beschädigung.
4. Überprüfen Sie das Werkzeug auf lose Befestigungselemente und beschädigte Teile, wie z. B. einen unvollständig abgeschnittenen Faden des Schneidwerkzeugs.
5. Wenn das Werkzeug nicht benutzt wird, lagern Sie es an einem trockenen Ort, der abschließbar ist und außer Reichweite von Kindern liegt.
6. Verwenden Sie nur die vom Hersteller empfohlenen Ersatz- und Zubehörteile.
7. Achten Sie stets darauf, dass die Belüftungsöffnungen frei von Unrat sind.
8. Inspizieren und warten Sie das Werkzeug regelmäßig, besonders vor/nach dem Gebrauch. Lassen Sie das Werkzeug nur von einem autorisierten Kundendienstzentrum reparieren.
9. Halten Sie Griffe trocken, sauber und frei von Öl und Fett.

DIESE ANWEISUNGEN AUFBEWAHREN.

⚠️ WARNUNG: Lassen Sie sich NICHT durch Bequemlichkeit oder Vertrautheit mit dem Produkt (durch wiederholten Gebrauch erworben) von der strikten Einhaltung der Sicherheitsregeln für das vorliegende Produkt abhalten. MISSBRAUCH oder Missachtung der Sicherheitsvorschriften in dieser Anleitung können schwere Personenschäden verursachen.

Wichtige Sicherheitsanweisungen für Akku

1. **Lesen Sie vor der Benutzung des Akkus alle Anweisungen und Warnhinweise, die an (1) Ladegerät, (2) Akku und (3) Akkuwerkzeug angebracht sind.**
2. **Unterlassen Sie ein Zerlegen des Akkus.**
3. **Falls die Betriebszeit beträchtlich kürzer geworden ist, stellen Sie den Betrieb sofort ein. Anderenfalls besteht die Gefahr von Überhitzung, möglichen Verbrennungen und sogar einer Explosion.**
4. **Falls Elektrolyt in Ihre Augen gelangt, waschen Sie sie mit sauberem Wasser aus, und begeben Sie sich unverzüglich in ärztliche Behandlung. Anderenfalls können Sie Ihre Sehkraft verlieren.**
5. **Der Akku darf nicht kurzgeschlossen werden:**
 - (1) **Die Kontakte dürfen nicht mit leitfähigem Material berührt werden.**
 - (2) **Lagern Sie den Akku nicht in einem Behälter zusammen mit anderen Metallgegenständen, wie z. B. Nägel, Münzen usw.**
 - (3) **Setzen Sie den Akku weder Wasser noch Regen aus.**

Ein Kurzschluss des Akkus verursacht starken Stromfluss, der Überhitzung, mögliche Verbrennungen und einen Defekt zur Folge haben kann.
6. **Lagern Sie das Werkzeug und den Akku nicht an Orten, an denen die Temperatur 50 °C erreichen oder überschreiten kann.**
7. **Versuchen Sie niemals, den Akku zu verbrennen, selbst wenn er stark beschädigt oder vollkommen verbraucht ist. Der Akku kann im Feuer explodieren.**
8. **Achten Sie darauf, dass der Akku nicht fallen gelassen oder Stößen ausgesetzt wird.**
9. **Benutzen Sie keine beschädigten Akkus.**
10. **Die enthaltenen Lithium-Ionen-Akkus unterliegen den Anforderungen der Gefahrgut-Gesetzgebung.**

Für kommerzielle Transporte, z. B. durch Dritte oder Spediteure, müssen besondere Anforderungen zu Verpackung und Etikettierung beachtet werden.

Zur Vorbereitung des zu transportierenden Artikels ist eine Beratung durch einen Experten für Gefahrgut erforderlich. Bitte beachten Sie möglicherweise ausführlichere nationale Vorschriften. Überkleben oder verdecken Sie offene Kontakte, und verpacken Sie den Akku so, dass er sich in der Verpackung nicht umher bewegen kann.

11. **Befolgen Sie die örtlichen Bestimmungen bezüglich der Entsorgung von Akkus.**

DIESE ANWEISUNGEN AUFBEWAHREN.

⚠ VORSICHT: Verwenden Sie nur **Original-Makita-Akkus**. Die Verwendung von Nicht-Original-Makita-Akkus oder von Akkus, die abgeändert worden sind, kann zum Bersten des Akkus und daraus resultierenden Bränden, Personenschäden und Beschädigung führen. Außerdem wird dadurch die Makita-Garantie für das Makita-Werkzeug und -Ladegerät ungültig.

Hinweise zur Aufrechterhaltung der maximalen Akku-Nutzungsdauer

1. **Laden Sie den Akku, bevor er vollkommen erschöpft ist. Schalten Sie das Werkzeug stets aus, und laden Sie den Akku, wenn Sie ein Nachlassen der Werkzeugleistung feststellen.**
2. **Unterlassen Sie erneutes Laden eines voll aufgeladenen Akkus. Überladen führt zu einer Verkürzung der Nutzungsdauer des Akkus.**
3. **Laden Sie den Akku bei Raumtemperatur zwischen 10 – 40 °C. Lassen Sie einen heißen Akku abkühlen, bevor Sie ihn laden.**
4. **Der Akku muss geladen werden, wenn er lange Zeit (länger als sechs Monate) nicht benutzt wird.**

BEZEICHNUNG DER TEILE

► Abb.4

1	Akku	2	Einschaltsperrhebel	3	Ein-Aus-Schalter	4	Aufhänger
5	Griffstange	6	Schutzhaube (Schneidwerkzeugschutz)	7	Drahtbügel	8	Verriegelungshebel (nur DUR188U und DUR188L)
9	Verbindungsabdeckung (nur DUR188U und DUR188L)	10	Kappe (nur DUR188U und DUR188L)	11	Drehzahlanzeige	12	Anzeige der automatischen Drehzahlregelung
13	Betriebslampe	14	Hauptbetriebstaste	15	Drehrichtungs-Umkehrtaste	16	Schultergurt

* Die Form der Schutzhaube ist je nach Land unterschiedlich.

FUNKTIONSBESCHREIBUNG

⚠️ WARNUNG: Vergewissern Sie sich vor der Durchführung von Einstellungen oder Funktionsprüfungen des Werkzeugs stets, dass das Werkzeug ausgeschaltet und der Akku abgenommen ist. Werden Ausschalten des Werkzeugs und Abnehmen des Akkus unterlassen, kann es zu schweren Personenschäden durch versehentliches Anlaufen kommen.

Anbringen und Abnehmen des Akkus

⚠️ VORSICHT: Schalten Sie das Werkzeug stets aus, bevor Sie den Akku anbringen oder abnehmen.

⚠️ VORSICHT: Halten Sie das Werkzeug und den Akku beim Anbringen oder Abnehmen des Akkus sicher fest. Wenn Sie das Werkzeug und den Akku nicht sicher festhalten, können sie Ihnen aus der Hand rutschen, was zu einer Beschädigung des Werkzeugs und des Akkus und zu Körperverletzungen führen kann.

► **Abb.5:** 1. Rote Anzeige 2. Knopf 3. Akku

Ziehen Sie den Akku zum Abnehmen vom Werkzeug ab, während Sie den Knopf an der Vorderseite des Akkus verschieben.

Richten Sie zum Anbringen des Akkus dessen Führungsfeder auf die Nut im Gehäuse aus, und schieben Sie den Akku hinein. Schieben Sie ihn vollständig ein, bis er mit einem hörbaren Klicken einrastet. Falls die rote Anzeige an der Oberseite des Knopfes sichtbar ist, ist der Akku nicht vollständig verriegelt.

⚠️ VORSICHT: Schieben Sie den Akku stets bis zum Anschlag ein, bis die rote Anzeige nicht mehr sichtbar ist. Anderenfalls kann er aus dem Werkzeug herausfallen und Sie oder umstehende Personen verletzen.

⚠️ VORSICHT: Unterlassen Sie Gewaltanwendung beim Anbringen des Akkus. Falls der Akku nicht reibungslos hineingleitet, ist er nicht richtig ausgerichtet.

Werkzeug/Akku-Schutzsystem

Das Werkzeug ist mit einem Werkzeug/Akku-Schutzsystem ausgestattet. Dieses System schaltet die Stromversorgung des Motors automatisch ab, um die Lebensdauer von Werkzeug und Akku zu verlängern. Das Werkzeug bleibt während des Betriebs automatisch stehen, wenn das Werkzeug oder der Akku einer der folgenden Bedingungen unterliegt:

Status	Anzeigelampen		
	■ Ein	□ Aus	▣ Blinkend
Überlastung			
Überhitzung			
Tiefentladung			

Überlastschutz

Falls das Werkzeug durch verheddertes Unkraut oder sonstige Fremdkörper überlastet wird, beginnen und die mittleren Anzeigen zu blinken, und das Werkzeug bleibt automatisch stehen. Schalten Sie in dieser Situation das Werkzeug aus, und brechen Sie die Arbeit ab, die eine Überlastung des Werkzeugs verursacht hat. Schalten Sie dann das Werkzeug wieder ein, um es neu zu starten.

Überhitzungsschutz für Werkzeug oder Akku

Es gibt zwei Arten von Überhitzung: Werkzeugüberhitzung und Akkuüberhitzung. Wenn Werkzeugüberhitzung auftritt, blinken alle Drehzahlanzeigen. Wenn Akkuüberhitzung auftritt, blinkt die Anzeige .

Falls Überhitzung auftritt, bleibt das Werkzeug automatisch stehen. Lassen Sie das Werkzeug und/oder den Akku abkühlen, bevor Sie das Werkzeug wieder einschalten.

Überentladungsschutz

Wenn die Akkukapazität niedrig wird, bleibt das Werkzeug automatisch stehen, und die Anzeige blinkt.

Falls das Werkzeug trotz Betätigung der Schalter nicht funktioniert, entfernen Sie die Akkus vom Werkzeug, und laden Sie sie auf.

Anzeigen der Akku-Restkapazität

Nur für Akkus mit Anzeige

► **Abb.6:** 1. Anzeigelampen 2. Prüftaste

Drücken Sie die Prüftaste am Akku, um die Akku-Restkapazität anzuzeigen. Die Anzeigelampen leuchten wenige Sekunden lang auf.

Anzeigelampen			Restkapazität
■ Erleuchtet	□ Aus	▣ Blinkend	
■ ■ ■ ■			75 % bis 100 %
■ ■ ■	□		50% bis 75%
■ ■	□ □		25% bis 50%

Anzeigelampen			Restkapazität
Erleuchtet	Aus	Blinkend	
			0% bis 25%
			Den Akku aufladen.
			Möglicherweise liegt eine Funktionsstörung im Akku vor.

HINWEIS: Abhängig von den Benutzungsbedingungen und der Umgebungstemperatur kann die Anzeige geringfügig von der tatsächlichen Kapazität abweichen.

Funktion der Hauptbetriebstaste

⚠️ WARNUNG: Vergewissern Sie sich vor dem Anbringen des Akkus am Werkzeug stets, dass der Ein-Aus-Schalter ordnungsgemäß funktioniert und beim Loslassen in die AUS-Stellung „OFF“ zurückkehrt. Der Betrieb des Werkzeugs mit fehlerhaftem Schalter kann zum Verlust der Kontrolle und zu schweren Verletzungen führen.

⚠️ VORSICHT: Legen Sie beim Tragen niemals Ihren Finger auf den Schalter. Anderenfalls kann das Werkzeug unbeabsichtigt anlaufen und Verletzungen verursachen.

Halten Sie die Hauptbetriebstaste einige Sekunden lang gedrückt, um das Werkzeug einzuschalten. Zum Ausschalten des Werkzeugs halten Sie die Hauptbetriebstaste erneut gedrückt.

► **Abb.7:** 1. Hauptbetriebstaste

Um versehentliche Betätigung des Ein-Aus-Schalters zu verhüten, ist das Werkzeug mit einem Einschaltsperrhebel ausgestattet.

Um das Werkzeug zu starten, fassen Sie die Griffstange (der Einschaltsperrhebel wird durch den Zugriff freigegeben), und betätigen Sie dann den Auslöseschalter. Zum Ausschalten des Werkzeugs lassen Sie den Auslöseschalter los.

DUR187U und DUR188U

► **Abb.8:** 1. Einschaltsperrhebel 2. Ein-Aus-Schalter

DUR187L und DUR188L

► **Abb.9:** 1. Einschaltsperrhebel 2. Ein-Aus-Schalter

HINWEIS: Das Werkzeug schaltet sich automatisch aus, wenn es eine Minute lang ohne jegliche Bedienung gelassen wird.

Drehzahleinstellung

Sie können die Werkzeugdrehzahl durch Antippen der Hauptbetriebstaste einstellen. Mit jedem Antippen der Hauptbetriebstaste ändert sich die Drehzahlstufe.

► **Abb.10:** 1. Hauptbetriebstaste

Anzeige	Betriebsart	Drehzahl
	Auto	4.000 - 6.000 min ⁻¹
	Hoch	6.000 min ⁻¹
	Mittel	5.000 min ⁻¹
	Niedrig	4.000 min ⁻¹

Drehrichtungs-Umkehrtaste für Fremdkörperbeseitigung

⚠️ WARNUNG: Schalten Sie das Werkzeug aus, und nehmen Sie den Akku ab, bevor Sie verheddertes Unkraut oder Fremdkörper entfernen, die durch die Drehrichtungs-Umkehrfunktion nicht beseitigt werden können. Werden Ausschalten des Werkzeugs und Abnehmen des Akkus unterlassen, kann es zu schweren Personenschäden durch versehentliches Anlaufen kommen.

Dieses Werkzeug besitzt eine Drehrichtungs-Umkehrtaste, mit der die Drehrichtung gewechselt werden kann. Sie ist nur zum Entfernen von Unkraut und Fremdkörpern vorgesehen, die sich im Werkzeug verfangen haben.

Um die Drehrichtung umzukehren, tippen Sie die Drehrichtungs-Umkehrtaste an, und betätigen Sie den Ein-Aus-Schalter, wenn der Werkzeugkopf still steht. Die Betriebslampe beginnt zu blinken, und der Werkzeugkopf dreht sich in umgekehrter Richtung, wenn Sie den Ein-Aus-Schalter betätigen.

Um wieder auf die normale Drehrichtung umzuschalten, lassen Sie den Ein-Aus-Schalter los, und warten Sie, bis der Werkzeugkopf zum Stillstand kommt.

► **Abb.11:** 1. Drehrichtungs-Umkehrtaste

HINWEIS: Das Werkzeug läuft nur für eine kurze Zeitspanne in umgekehrter Drehrichtung und bleibt dann automatisch stehen.

HINWEIS: Nachdem das Werkzeug zum Stillstand gekommen ist, läuft es wieder in der normalen Drehrichtung, wenn Sie es wieder in Betrieb nehmen.

HINWEIS: Wenn Sie die Drehrichtungs-Umkehrtaste antippen, während sich der Werkzeugkopf noch dreht, kommt das Werkzeug zum Stillstand und ist dann für Rückwärtsdrehung bereit.

Nylonfadenkopf

Sonderzubehör

ANMERKUNG: Die Bump-Feed-Funktion arbeitet nicht richtig, wenn sich der Kopf nicht dreht.

► **Abb.12:** 1. Effektivster Schneidbereich

Der Nylonfadenkopf ist ein doppelter Fadentrimmerkopf mit Bump-Feed-Mechanismus.

Um den Nylonfaden auszuziehen, klopfen Sie den Schneidkopf gegen den Boden auf, während er sich dreht.

HINWEIS: Wird der Nylonfaden nicht durch Anklopfen des Kopfes ausgezogen, wickeln Sie den Nylonfaden auf, oder ersetzen Sie ihn nach dem unter „Wartung“ beschriebenen Verfahren.

MONTAGE

⚠️ WARNUNG: Vergewissern Sie sich vor der Ausführung von Arbeiten am Werkzeug stets, dass das Werkzeug ausgeschaltet und der Akku abgenommen ist. Werden Ausschalten des Werkzeugs und Abnehmen des Akkus unterlassen, kann es zu schweren Personenschäden durch versehentliches Anlaufen kommen.

⚠️ WARNUNG: Starten Sie das Werkzeug niemals, wenn es nicht vollständig zusammengebaut ist. Der Betrieb des unvollständig zusammengebauten Werkzeugs kann zu schweren Personenschäden durch versehentliches Anlaufen führen.

Montieren der Griffstange

Nur für DUR187U und DUR188U

1. Führen Sie den Schaft der Griffstange in den Griff ein. Richten Sie die Schraubenbohrung im Griff auf die Bohrung im Schaft aus. Ziehen Sie die Schraube sicher fest.

► **Abb.13:** 1. Griff 2. Schraube 3. Griffstange

2. Platzieren Sie die Griffstange zwischen Griffstangenklemme und Griffstangenhalter. Stellen Sie die Griffstange auf einen Winkel ein, der eine komfortable Arbeitsposition gestattet, und sichern Sie sie dann mit Innensechskantschrauben.

► **Abb.14:** 1. Innensechskantschraube
2. Griffstangenklemme

Montieren des Zubehörrohrs

Nur für DUR188U und DUR188L

Montieren Sie das Zubehörrohr am Antriebsaggregat.

1. Schwenken Sie den Hebel in Pfeilrichtung, wie in der Abbildung gezeigt.

► **Abb.15:** 1. Hebel

2. Ziehen Sie die Verbindungsabdeckung hoch, und führen Sie das Zubehörrohr ein, während Sie den Vorsprung am Rohr (Schneidwerkzeugseite) auf die Vertiefung des Verbindungsteils ausrichten.

► **Abb.16:** 1. Verriegelungshebel
2. Verbindungsabdeckung 3. Rohr

Vergewissern Sie sich, dass die Oberfläche des Verriegelungshebels parallel zum Rohr ist.

3. Schwenken Sie den Hebel in Pfeilrichtung, wie in der Abbildung gezeigt.

► **Abb.17:** 1. Hebel

Zum Entfernen des Rohrs schwenken Sie den Hebel in Pfeilrichtung, wie in der Abbildung gezeigt, und ziehen Sie das Rohr heraus, während Sie den Verriegelungshebel niederdrücken.

► **Abb.18:** 1. Hebel 2. Verriegelungshebel 3. Rohr

Montieren der Schutzhaube

⚠️ WARNUNG: Benutzen Sie das Werkzeug niemals ohne die abgebildete Schutzhaube. Anderenfalls kann es zu schweren Personenschäden kommen.

⚠️ VORSICHT: Achten Sie darauf, dass Sie sich beim Abschneiden des Nylonfadens nicht am Abscheider verletzen.

HINWEIS: Die Form der Schutzhaube ist je nach Land unterschiedlich.

1. Richten Sie die Vorsprünge an der Schutzhaube auf die Nuten des Motorgehäuses aus.

► **Abb.19:** 1. Schutzhaube 2. Nut 3. Vorsprung

2. Richten Sie die Vorsprünge am Schutzhaubenhalter auf ihre Gegenstücke am Motorgehäuse aus.

► **Abb.20:** 1. Schutzhaubenhalter 2. Vorsprung

3. Ziehen Sie die Innensechskantschrauben sicher fest, um die Schutzhaube und den Schutzhaubenhalter zu befestigen.

► **Abb.21:** 1. Innensechskantschraube
2. Inbusschlüssel

Montieren des Drahtbügels

⚠️ VORSICHT: Bevor Sie den Drahtbügel einstellen, warten Sie, bis der Schneidkopf zum Stillstand kommt. Stellen Sie den Drahtbügel nicht mit Ihrem Fuß ein.

► **Abb.22**

Um die Gefahr einer Beschädigung von Gegenständen vor dem Schneidkopf zu verringern, bringen Sie den Drahtbügel an, so dass er den Schneidbereich des Schneidfadens kontrolliert.

Spreizen Sie den Drahtbügel geringfügig nach außen, und setzen Sie ihn dann in die Löcher der Schutzhaube ein.

► **Abb.23:** 1. Drahtbügel

HINWEIS: Spreizen Sie den Drahtbügel nicht zu weit nach außen. Anderenfalls kann er brechen.

Wenn der Drahtbügel nicht gebraucht wird, klappen Sie ihn in die Ruhestellung hoch.

► **Abb.24**

Installieren des Nylonfadenkopfes

Sonderzubehör

⚠️ VORSICHT: Falls der Nylonfadenkopf während des Betriebs versehentlich gegen einen Stein oder ein hartes Objekt stößt, halten Sie das Werkzeug an, und überprüfen Sie es auf etwaige Beschädigung. Falls der Nylonfadenkopf beschädigt wird, ist er sofort auszuwechseln. Die Verwendung eines beschädigten Schneidwerkzeugs kann zu schweren Personenschäden führen.

⚠️ VORSICHT: Vergessen Sie nicht, den Inbusschlüssel nach der Montage wieder zu entfernen.

ANMERKUNG: Verwenden Sie unbedingt den Original-Nylonfadenkopf von Makita.

- **Abb.25:** 1. Nylonfadenkopf 2. Metallschutzscheibe
3. Spindel 4. Inbusschlüssel

1. Drehen Sie das Werkzeug um, damit Sie das Schneidwerkzeug leicht auswechseln können.
2. Führen Sie den Inbusschlüssel durch die Öffnung im Motorgehäuse ein, und drehen Sie die Spindel, bis sie verriegelt ist.
3. Setzen Sie den Nylonfadenkopf direkt auf die Gewindespindel, und ziehen Sie ihn durch Drehen entgegen dem Uhrzeigersinn fest.
4. Entfernen Sie den Inbusschlüssel.

Um den Nylonfadenkopf zu entfernen, drehen Sie ihn im Uhrzeigersinn, während Sie die Aufnahmescheibe mit dem Inbusschlüssel festhalten.

Montieren eines Kunststoffmessers

Sonderzubehör

⚠ VORSICHT: Falls das Kunststoffmesser während des Betriebs versehentlich gegen einen Stein oder ein hartes Objekt stößt, halten Sie das Werkzeug an, und überprüfen Sie es auf etwaige Beschädigung. Falls das Kunststoffmesser beschädigt wird, ist es sofort auszuwechseln. Die Verwendung eines beschädigten Schneidwerkzeugs kann zu schweren Personenschäden führen.

⚠ VORSICHT: Vergessen Sie nicht, den Inbusschlüssel nach der Montage wieder zu entfernen.

ANMERKUNG: Verwenden Sie unbedingt ein Original-Makita-Kunststoffmesser.

- **Abb.26:** 1. Kunststoffmesser
2. Metallschutzscheibe 3. Inbusschlüssel

1. Drehen Sie das Werkzeug um, damit Sie das Schneidwerkzeug leicht auswechseln können.
2. Führen Sie den Inbusschlüssel durch die Öffnung im Motorgehäuse ein, und drehen Sie die Spindel, bis sie verriegelt ist.
3. Setzen Sie das Kunststoffmesser direkt auf die Gewindespindel, und ziehen Sie es durch Drehen entgegen dem Uhrzeigersinn fest.
4. Entfernen Sie den Inbusschlüssel.

Um das Kunststoffmesser zu entfernen, drehen Sie es im Uhrzeigersinn, während Sie die Aufnahmescheibe mit dem Inbusschlüssel festhalten.

Einstellen der Position der Griffstange/des Aufhängers

Stellen Sie die Position der Griffstange und des Aufhängers ein, um eine komfortable Handhabung des Werkzeugs zu erhalten.

Für DUR187U und DUR188U

Lösen Sie die Innensechskantschrauben an der Unterseite des Griffstangenhalters. Bewegen Sie die Griffstange auf eine komfortable Arbeitsposition, und ziehen Sie dann die Schrauben fest.

- **Abb.27:** 1. Griffstangenhalter
2. Innensechskantschraube 3. Griffstange

Lösen Sie die Innensechskantschrauben am Aufhänger. Bewegen Sie den Aufhänger auf eine komfortable Arbeitsposition, und ziehen Sie dann die Schrauben fest.

- **Abb.28:** 1. Innensechskantschraube 2. Aufhänger

Für DUR187L und DUR188L

Lösen Sie die Innensechskantschrauben an der Griffstange. Bewegen Sie die Griffstange auf eine komfortable Arbeitsposition, und ziehen Sie dann die Schrauben fest.

- **Abb.29:** 1. Innensechskantschraube 2. Griffstange

Lösen Sie die Innensechskantschraube am Aufhänger. Bewegen Sie den Aufhänger auf eine komfortable Arbeitsposition, und ziehen Sie dann die Schraube fest.

- **Abb.30:** 1. Innensechskantschraube 2. Aufhänger

Aufbewahrung des Inbusschlüssels

⚠ VORSICHT: Vergessen Sie nicht, den Inbusschlüssel aus dem Werkzeugkopf herauszunehmen. Anderenfalls kann es zu Verletzungen und/oder Beschädigung des Werkzeugs kommen.

Der Inbusschlüssel kann an der in der Abbildung gezeigten Stelle aufbewahrt werden, damit er nicht verloren geht.

- **Abb.31:** 1. Inbusschlüssel

Nur für DUR187L und DUR188L

- **Abb.32:** 1. Griffstange 2. Inbusschlüssel

BETRIEB

Korrekte Handhabung des Werkzeugs

⚠ WARNUNG: Halten Sie das Werkzeug immer auf Ihrer rechten Seite. Korrekte Haltung des Werkzeugs gewährleistet maximale Kontrolle und verringert die Gefahr von durch Rückstoß verursachten schweren Personenschäden.

⚠ WARNUNG: Lassen Sie äußerste Sorgfalt walten, um immer die Kontrolle über das Werkzeug zu behalten. Achten Sie darauf, dass das Werkzeug nicht zu Ihnen oder einer anderen Person im Arbeitsbereich abgelenkt wird. Verlust der Kontrolle über das Werkzeug kann zu schweren Verletzungen von Umstehenden und Bediener führen.

⚠ WARNUNG: Um einen Unfall zu vermeiden, halten Sie einen Abstand von mehr als 15 m zwischen Arbeitern ein, wenn zwei oder mehr Arbeiter im selben Bereich arbeiten. Beauftragen Sie außerdem eine Person, den Abstand zwischen den Arbeitern zu beobachten. Falls eine Person oder ein Tier in den Arbeitsbereich eintritt, brechen Sie sofort die Arbeit ab.

DUR187U und DUR188U

- **Abb.33**

DUR187L und DUR188L

- **Abb.34**

Befestigen des Schultergurts

⚠ VORSICHT: Benutzen Sie immer den angebrachten Schultergurt. Stellen Sie den Schultergurt vor der Arbeit auf die Benutzergröße ein, um Ermüdung zu verhüten.

Hängen Sie den Haken des Schultergurts in den Aufhänger ein, und legen Sie den Schultergurt an. Vergewissern Sie sich, dass das Werkzeug vom Schultergurt sicher gehalten wird.

DUR187U und DUR188U

► **Abb.35:** 1. Haken 2. Aufhänger

DUR187L und DUR188L

► **Abb.36:** 1. Haken 2. Aufhänger

Abnehmen

Der Schultergurt besitzt eine Schnellentriegelung.

DUR187U und DUR188U

► **Abb.37:** 1. Streifen

Ziehen Sie den Streifen heraus, um das Werkzeug vom Schultergurt zu lösen.

DUR187L und DUR188L

► **Abb.38:** 1. Schnalle

Drücken Sie einfach die Seiten der Schnalle zusammen, um das Werkzeug vom Schultergurt zu lösen.

WARTUNG

⚠ WARNUNG: Vergewissern Sie sich vor der Durchführung von Inspektions- oder Wartungsarbeiten am Werkzeug stets, dass das Werkzeug ausgeschaltet und der Akku abgenommen ist. Werden Ausschalten des Werkzeugs und Abnehmen des Akkus unterlassen, kann es zu schweren Personenschäden durch versehentliches Anlaufen kommen.

ANMERKUNG: Verwenden Sie auf keinen Fall Benzin, Waschbenzin, Verdünnern, Alkohol oder dergleichen. Solche Mittel können Verfärbung, Verformung oder Rissbildung verursachen.

Auswechseln des Nylonfadens

⚠ WARNUNG: Verwenden Sie nur Nylonfäden mit dem in „TECHNISCHE DATEN“ angegebenen Durchmesser. Verwenden Sie keinesfalls eine schwerere Schnur, einen Metalldraht, ein Seil oder dergleichen. Verwenden Sie nur den empfohlenen Nylonfaden, weil es anderenfalls zu einer Beschädigung des Werkzeugs und zu ernsthaften Personenschäden kommen kann.

⚠ WARNUNG: Vergewissern Sie sich, dass die Abdeckung des Nylonfadenkopfes ordnungsgemäß am Gehäuse gesichert ist, wie nachstehend beschrieben. Bei unsachgemäß gesicherter Abdeckung kann der Nylonfadenkopf auseinander fliegen und schwere Personenschäden verursachen.

1. Drücken Sie die Gehäuseklinken nach innen, um die Abdeckung abzuheben, und entfernen Sie dann die Spule.

► **Abb.39:** 1. Klinken 2. Abdeckung

2. Besorgen Sie einen neuen Nylonfaden von ca. 3 m Länge. Falten Sie den neuen Nylonfaden so, dass ein Ende ca. 80 mm länger als das andere Ende wird. Hängen Sie dann den neuen Nylonfaden in die Kerbe in der Mitte der Spule ein.

Wickeln Sie beide Enden fest und in Richtung der Kopfdrehung (Linksdrehung, markiert durch „LH“ auf der Seite der Spule) um die Spule.

► **Abb.40:** 1. Spule

3. Wickeln Sie den Faden bis auf etwa 100 mm um die Spule, und lassen Sie die Enden vorübergehend in der Kerbe an der Seite der Spule eingehängt.

► **Abb.41**

4. Montieren Sie die Spule in das Gehäuse, so dass die Nuten und Vorsprünge an der Spule mit denen im Gehäuse übereinstimmen. Die Seite mit den Buchstaben der Spule muss nach oben zeigen, so dass die Buchstaben sichtbar sind. Haken Sie nun die Enden des Fadens aus ihrer vorübergehenden Position aus, und führen Sie den Faden durch die Fadenführungen, so dass die Fäden aus dem Gehäuse herausragen.

► **Abb.42:** 1. Spule 2. Gehäuse 3. Fadenführung

5. Richten Sie den Vorsprung an der Unterseite der Abdeckung auf die Schlitzlöcher der Ösen aus. Drücken Sie dann die Abdeckung zur Sicherung fest auf das Gehäuse.

► **Abb.43**

Austauschen des Kunststoffmessers

Tauschen Sie das Messer aus, wenn es abgenutzt oder beschädigt ist.

► **Abb.44**

Wenn Sie das Kunststoffmesser montieren, richten Sie den Pfeil auf dem Messer auf den der Schutzhaube aus.

► **Abb.45:** 1. Pfeil auf der Schutzhaube 2. Pfeil auf dem Messer

Um die SICHERHEIT und ZUVERLÄSSIGKEIT dieses Produkts zu gewährleisten, sollten Reparaturen und andere Wartungs- oder Einstellarbeiten nur von Makita-Vertragswerkstätten oder Makita-Kundendienstzentren unter ausschließlicher Verwendung von Makita-Originalersatzteilen ausgeführt werden.

FEHLERSUCHE

Bevor Sie den Reparaturdienst anrufen, führen Sie zunächst Ihre eigene Inspektion durch. Falls Sie ein Problem finden, das nicht in der Anleitung erläutert wird, versuchen Sie nicht, das Werkzeug zu zerlegen. Wenden Sie sich stattdessen an autorisierte Makita-Kundendienstzentren, und achten Sie darauf, dass stets Makita-Ersatzteile für Reparaturen verwendet werden.

Zustand der Unregelmäßigkeit	Wahrscheinliche Ursache (Funktionsstörung)	Abhilfemaßnahme
Der Motor läuft nicht.	Der Akku ist nicht eingesetzt.	Den Akku einsetzen.
	Akkustörung (Unterspannung)	Den Akku aufladen. Falls Laden nichts nützt, den Akku austauschen.
	Das Antriebssystem funktioniert nicht korrekt.	Wenden Sie sich bezüglich einer Reparatur an Ihr autorisiertes Kundendienstzentrum.
Der Motor bleibt nach kurzer Zeit stehen.	Der Ladestand des Akkus ist niedrig.	Den Akku aufladen. Falls Laden nichts nützt, den Akku austauschen.
	Überhitzung.	Brechen Sie die Benutzung des Werkzeugs ab, um es abkühlen zu lassen.
Die Maximaldrehzahl wird nicht erreicht.	Der Akku ist falsch eingesetzt.	Setzen Sie den Akku gemäß der Beschreibung in dieser Anleitung ein.
	Die Akkuleistung lässt nach.	Den Akku aufladen. Falls Laden nichts nützt, den Akku austauschen.
	Das Antriebssystem funktioniert nicht korrekt.	Wenden Sie sich bezüglich einer Reparatur an Ihr autorisiertes Kundendienstzentrum.
Das Schneidwerkzeug dreht sich nicht: ⇒ Die Maschine unverzüglich stoppen!	Ein Fremdkörper, wie z. B. ein Ast, klemmt zwischen Schutzhaube und Nylonfadenkopf.	Entfernen Sie den Fremdkörper.
	Das Antriebssystem funktioniert nicht korrekt.	Wenden Sie sich bezüglich einer Reparatur an Ihr autorisiertes Kundendienstzentrum.
Ungewöhnliche Vibration: ⇒ Die Maschine unverzüglich stoppen!	Ein Ende des Nylonfadens ist beschädigt.	Klopfen Sie den Nylonfadenkopf auf den Boden auf, während er sich dreht, um Ausziehen des Fadens zu bewirken.
	Das Antriebssystem funktioniert nicht korrekt.	Wenden Sie sich bezüglich einer Reparatur an Ihr autorisiertes Kundendienstzentrum.
Schneidwerkzeug und Motor bleiben nicht stehen: ⇒ Den Akku unverzüglich entfernen!	Funktionsstörung der Elektrik oder Elektronik.	Entfernen Sie den Akku, und wenden Sie sich bezüglich einer Reparatur an Ihr autorisiertes Kundendienstzentrum.

SONDERZUBEHÖR

⚠️ WARNUNG: Montieren Sie kein Metallmesser an diesem Werkzeug, und verwenden Sie nur die empfohlenen Zubehör- oder Anbauteile, die in dieser Anleitung angegeben sind. Der Gebrauch eines Metallmessers oder anderer Zubehör- oder Anbauteile kann zu schweren Personenschäden führen.

⚠️ VORSICHT: Die folgenden Zubehörteile oder Vorrichtungen werden für den Einsatz mit dem in dieser Anleitung beschriebenen Makita-Werkzeug empfohlen. Die Verwendung anderer Zubehörteile oder Vorrichtungen kann eine Verletzungsgefahr darstellen. Verwenden Sie Zubehörteile oder Vorrichtungen nur für ihren vorgesehenen Zweck.

Wenn Sie weitere Einzelheiten bezüglich dieser Zubehörteile benötigen, wenden Sie sich bitte an Ihre Makita-Kundendienststelle.

- Nylonfadenkopf
- Nylonfaden (Schneidfaden)
- Kunststoffmesser
- Original-Makita-Akku und -Ladegerät

HINWEIS: Manche Teile in der Liste können als Standardzubehör im Werkzeugsatz enthalten sein. Sie können von Land zu Land unterschiedlich sein.