



**Original Instruction Manual**  
**Instructions d'emploi d'origine**  
**Originalbetriebsanleitung**  
**Manuale di istruzioni originale**  
**Originele gebruiksaanwijzing**  
**Instrucciones de manejo originales**  
**Instruções de serviço original**  
**Original brugsanvisning**  
**Πρωτότυπο εγχειρίδιο οδηγιών**  
**Orijinal Kullanım Kılavuzu**

**⚠ WARNING:**

Read this instruction manual carefully before putting the Telescopic Petrol Pole Saw into operation and strictly observe the safety regulations! Save instruction manual for future reference.

**⚠ AVERTISSEMENT :**

Veuillez lire attentivement ce mode d'emploi avant d'utiliser l'élagueuse thermique à perche télescopique et respectez strictement les consignes de sécurité !

Conservez ce mode d'emploi pour vous y reporter ultérieurement.

**⚠ WARNUNG:**

Lesen Sie vor Verwendung des Benzin-Hochentasters diese Betriebsanleitung aufmerksam durch und halten Sie die Sicherheitsbestimmungen strikt ein!

Bewahren Sie die Anweisungen zum späteren Nachschlagen auf.

**⚠ AVVERTENZA:**

Leggere attentamente le presenti istruzioni per l'uso prima di mettere in funzione la sega per potatura a benzina con asta telescopica e rispettare rigorosamente le normative sulla sicurezza.

Conservare le istruzioni per l'uso per farvi riferimento in futuro.

**⚠ WAARSCHUWING:**

Lees deze gebruiksaanwijzing aandachtig door voordat u de telescopische benzinestoksnoeizaag in gebruik neemt en houdt u te allen tijde aan de veiligheidsinstructies!

Bewaar de gebruiksaanwijzing om deze in de toekomst te kunnen raadplegen.

**⚠ ADVERTENCIA:**

Lea atentamente este manual de instrucciones antes de utilizar la sierra de extensión telescópica a gasolina y cumpla estrictamente la normativa de seguridad.

Guarde el manual de instrucciones para futuras consultas.

**⚠ AVISO:**

Leia cuidadosamente este manual de instruções antes de utilizar o Podador Telescópico a Gasolina e cumpra todas as normas de segurança! Guarde o manual de instruções para referência futura.

**⚠ ADVARSEL:**

Læs denne brugsanvisning omhyggeligt igennem inden du anvender den teleskopiske benzindrevne stangsav og overhold sikkerhedsregulativene til mindste detalje!

Gem brugsanvisningen, så du har den til fremtidig brug.

**⚠ ΠΡΟΕΙΔΟΠΟΙΗΣΗ:**

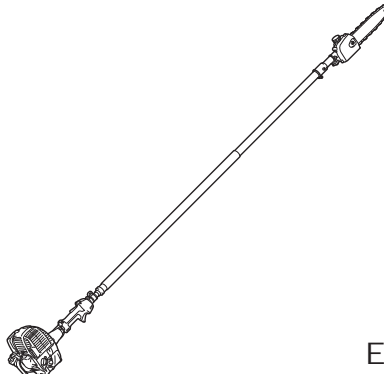
Διαβάστε αυτό το εγχειρίδιο οδηγιών προσεκτικά πριν θέσετε σε λειτουργία το βενζινοκίνητο τηλεσκοπικό κονταροπρίονο και τηρήστε με ακρίβεια τους κανονισμούς ασφαλείας!

Φυλάξτε το εγχειρίδιο οδηγιών για μελλοντική αναφορά.

**⚠ UYARI:**

Benzinli Teleskopik Uzatmalı Testereyi kullanmaya başlamadan önce bu kullanım kılavuzunu dikkatli bir şekilde okuyun ve güvenlik talimatlarını sıkı bir şekilde takip edin!

Kullanım kılavuzunu daha sonra başvurmak üzere saklayın.



EY2650H

Thank you very much for purchasing the MAKITA Telescopic Petrol Pole Saw. We are pleased to recommend to you the MAKITA Telescopic Petrol Pole Saw which is the result of a long development programme and many years of knowledge and experience.

Please read this booklet which refers in detail to the various points that will demonstrate its outstanding performance. This will assist you to obtain the best possible result from your MAKITA Telescopic Petrol Pole Saw.



Table of Contents	Page
Symbols.....	2
Safety instructions .....	3
Technical data.....	9
Designation of parts.....	10
Assembly and adjustment .....	11
Before start of operation .....	15
Points in operation and how to stop .....	17
Operation.....	19
Servicing instructions.....	19
Storage .....	25

## SYMBOLS

You will note the following symbols when reading the instructions manual.

	Read instruction manual and follow the warnings and safety precautions!		No open flame!
	Take particular care and attention!		Chain oil.
	Wear protective helmet, eye and ear protection.		Keep the area of operation clear of all persons and pets!
	Protective gloves must be worn!		Fuel (Gasoline)
	Wear sturdy boots with non-slip soles.		Engine-manual start
	Keep a distance of at least 15 m (50 ft) between the equipment and bystanders and/or electrical line (including any branches contacting it). Risk of electrical shock and/or personal injury.		First Aid
	Never hold the pole saw at an angle of more than 60°.		ON/START
	Chain speed.		OFF/STOP
	Forbidden!		Emergency stop
	No smoking!		

## SAFETY INSTRUCTIONS

### General instructions

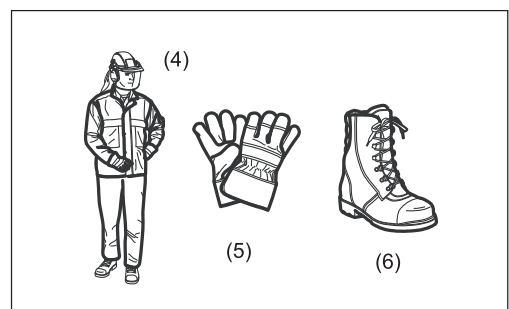
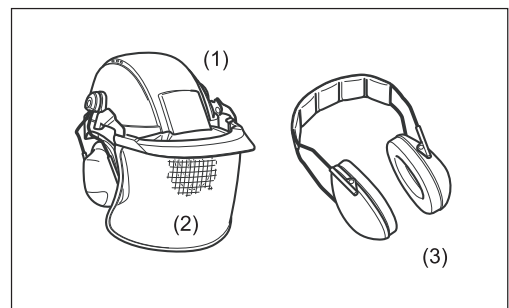
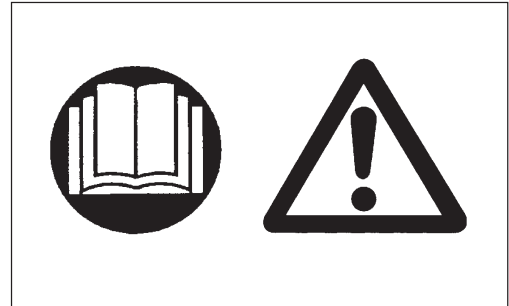
- To ensure correct operation, user has to read this instruction manual to make himself familiar with the handling of the equipment. Users insufficiently informed will risk danger to themselves as well as others due to improper handling.
- It is recommended only to lend the equipment to people who have proven to be experienced with equipment. Always hand over the instruction manual.
- First users should ask the dealer for basic instructions to familiarize oneself with the handling of an engine powered cutter.
- Children and young persons aged under 18 years must not be allowed to operate the equipment. Persons over the age of 16 years may however use the device for the purpose of being trained only whilst under supervision of a qualified trainer.
- Use the equipment with the utmost care and attention.
- Operate the equipment only if you are in good physical condition. Perform all work calmly and carefully. The user has to accept liability for others.
- Never use the equipment after consumption of alcohol or drugs, or if feeling tired or ill.
- Never attempt to modify the equipment.
- National regulations may restrict of the use of the equipment. Follow the regulations about handling of pole saws and chain saws in your country.

### Intended use of the machine

This equipment is designed only for the purpose of pruning branches and limbs less than 15 cm in diameter. Never use the equipment for the other purpose. Abusing the equipment may cause serious injury.

### Personal protective equipment

- The clothing worn should be functional and appropriate, i.e. it should be tight-fitting but not cause hindrance. Do not wear either jewelry or clothing which could become entangled with bushes or shrubs.
- In order to avoid either head-, eye-, hand- or foot injuries as well as to protect your hearing the following protective equipment and protective clothing must be used during operation.
- Always wear a helmet where there is a risk of falling objects. The protective helmet (1) is to be checked at regular intervals for damage and is to be replaced at the latest after 5 years. Use only approved protective helmets.
- The visor (2) of the helmet (or alternatively goggles) protects the face from flying debris and stones. During operation always wear goggles, or a visor to prevent eye injuries.
- Wear adequate noise protection equipment to avoid hearing impairment (ear muffs (3), ear plugs etc.).
- The work overalls (4) protect against flying stones and debris. We strongly recommend that the user wears work overalls.
- Special gloves (5) made of thick leather are part of the prescribed equipment and must always be worn during operation.
- When using the equipment, always wear sturdy shoes (6) with a non-slip sole. This protects against injuries and ensures a good footing.
- When handling the saw chain or adjusting the chain tension, wear protective gloves. Saw chain can cut bare hands severely.



## Work area safety

- **⚠ Danger:** Keep the pole saw at least 15 m away from electric lines and communication cables (including any branches contacting them). Touching or approaching high-voltage lines with the pole saw can result in death or serious injury. Watch power lines and electrical fences around the work area before starting operation.
- Operate the pole saw under good visibility and daylight conditions only. Do not operate the pole saw in darkness or fog.
- Start and operate the engine only outdoors in a well ventilated area. Operation in a confined or poorly ventilated area can result in death due to suffocation or carbon monoxide poisoning.
- During operation, never stand on an unstable or slippery surface or a steep slope. During the cold season, beware of ice and snow and always ensure secure footing.
- During operation, keep bystanders or animals at least 15 m away from the pole saw. Stop the engine as soon as someone approaches.
- Before operation, examine the work area for wire fences, walls, or other solid objects. They can damage the saw chain.
- **⚠ WARNING:** Use of this product can create dust containing chemicals which may cause respiratory or other illnesses. Some examples of these chemicals are compounds found in pesticides, insecticides, fertilizers and herbicides. Your risk from these exposures varies, depending on how often you do this type of work. To reduce your exposure to these chemicals: work in a well ventilated area, and work with approved safety equipment, such as those dust masks that are specially designed to filter out microscopic particles.

## Putting into operation

- Before assembling or adjusting the equipment, switch off the engine and remove the spark plug cap.
- Before starting the engine, inspect the equipment for damages, loose screws/nuts or improper assembly. Sharpen blunt saw chain. If the saw chain is bent or damaged, replace it. Check all control levers and switches for easy action. Clean and dry the handles.
- Never attempt to start the engine if the equipment is damaged or not fully assembled. Otherwise serious injury may result.
- Adjust the chain tension properly. Refill the chain oil, if necessary.

## Starting up the engine

- Please make sure that there are no children or other people, also pay attention to any animals in the working vicinity.
- Wear the personal protective equipment before starting the engine.
- Make sure that the attachment is attached in place, the control lever for easy action and check for proper functioning of the lock-off lever.
- If the saw chain moves at idle, stop the engine and adjust the idle speed down. Ask authorized service center for adjustment if in doubt. Check for clean and dry handles and test the function of the start/stop switch.

Start the engine only in accordance with the instructions.

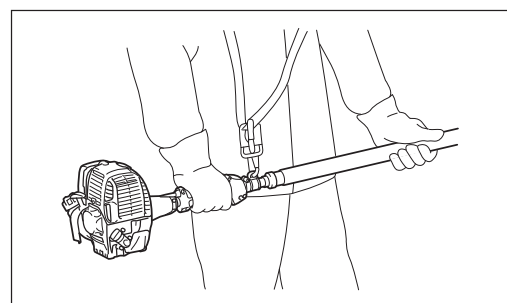
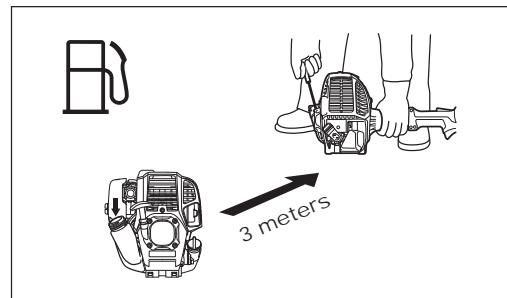
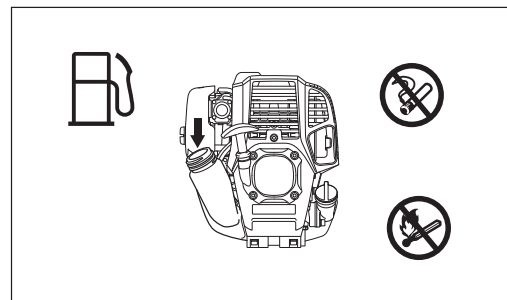
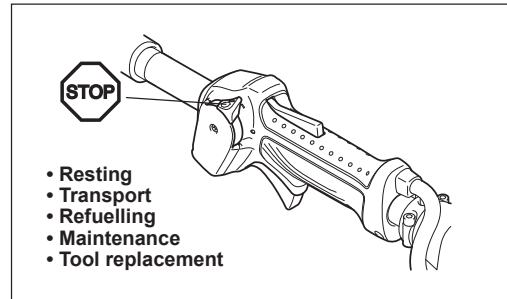
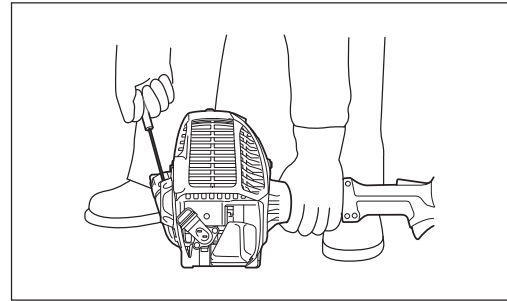
- Do not use any other methods for starting the engine!
- Place the equipment on firm ground. Maintain good balance and secure footing.
- When pulling the starter knob, hold the equipment firmly against the ground by your left hand. Never step on the drive shaft.
- Before starting the engine, make sure that there is no person or animal in the work area.
- When starting the engine, keep the saw chain and guide bar clear of your body and other object, including the ground. The saw chain may move when starting and may cause serious injury or damage to the saw chain and/or property.
- The engine is to be switched off immediately in case of any engine problems.
- Should the saw chain hit stones or other hard objects, immediately switch off the engine and inspect the equipment.
- Operate the equipment only with the shoulder strap attached which is to be suitably adjusted before putting the equipment into operation. It is essential to adjust the shoulder strap according to the user size to prevent fatigue occurring during use. Never hold the cutter with one hand during use.
- With the engine running only at idle, attach the shoulder harness. During operation, keep the equipment on your right side firmly.
- All protective installations and guards supplied with the machine must be used during operation.
- Never operate the engine with faulty exhaust muffler.
- Except in case of emergency, never drop or cast the equipment to the ground or this may severely damage the equipment.

## Refuelling

- Shut off the engine during refuelling, keep away from open flames and do not smoke.
- Avoid skin contact with mineral oil products. Do not inhale fuel vapor. Always wear protective gloves during refuelling. Change and clean protective clothing at regular intervals.
- Take care not to spill either fuel or oil in order to prevent soil contamination (environmental protection). Clean the equipment immediately after fuel has been spilt.
- Avoid any fuel contact with your clothing. Change your clothing instantly if fuel has been spilt on it (to prevent clothing catching fire).
- Inspect the fuel cap at regular intervals making sure that it can be securely fastened and does not leak.
- Carefully tighten the fuel tank cap. Change location to start the engine (at least 3 meters away from the place of refuelling).
- Never refuel in closed rooms. Fuel vapors accumulate at ground level (risk of explosions).
- Only transport and store fuel in approved containers. Make sure the fuel stored is not accessible to children.

## Method of operation

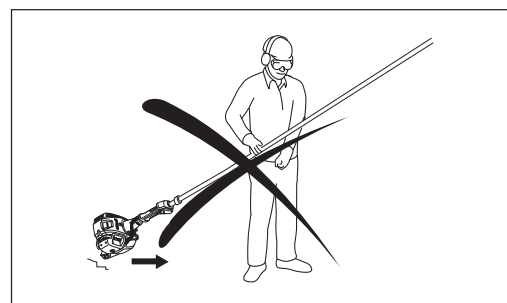
- In the event of an emergency, switch off the engine immediately.
- If you feel any unusual condition (e.g. noise, vibration) during operation, switch off the engine. Do not use the equipment until the cause is recognized and solved.
- The saw chain continues to move for a short period after releasing the throttle trigger. Don't rush to contact the saw chain.
- Hold the front grip with the left hand and the rear grip with the right hand, no matter you are right-hander or left-hander. Wrap your fingers and thumbs around the grips.
- Never attempt to operate the equipment with one hand. Loss of control may result in serious or fatal injury. To reduce the risk of injury, keep your hands and feet away from the blades.
- Do not overreach. Keep proper footing and balance at all times.
- Watch for hidden obstacles such as tree stumps, roots and ditches to avoid stumbling. Clear fallen branches and other objects away.
- If the equipment gets heavy impact or fall, check the condition before continuing work. Check the fuel system for fuel leakage and the controls and safety devices for malfunction. If there is any damage or doubt, ask Makita authorized service center for the inspection and repair.
- Do not touch the gear case. The gear case becomes hot during operation.
- When you leave the equipment, even if it is a short time, always stop the engine. The equipment unattended with the engine running may be used by unauthorized person and cause serious accident.



- Pay attention to the environment. Avoid unnecessary throttle operation for less pollution and noise emissions. Adjust the carburetor correctly.
- During or after operation, do not put the hot equipment onto dry grass or combustible materials.
- Do not hold your right hand above shoulder height.
- During operation, never hit the saw chain against hard obstacles such as stones and nails. Take particular care when cutting branches next to walls, wire fences or the like.
- If branches get caught in the saw chain, always stop the engine and remove the spark plug cap. Otherwise unintentional start may cause serious injury.
- If the saw chain becomes clogged, always stop the engine and remove the spark plug cap before cleaning.
- Accelerating the engine with the saw chain blocked increases the load and will damage the engine and/or clutch.
- Before cutting limbs, keep an escape area away from the falling limb. First, clear obstructions such as limbs and branches from the work area. Move all tools and goods from the escape area to another safe place.
- Before cutting branches and limbs, check the falling direction of them, considering the condition of branches and limbs, adjoining trees, wind direction, etc. Pay full attention to the falling direction, and the rebound of the branch, which hit the ground.
- Never hold the pole saw at an angle of more than 60°. Otherwise falling objects can hit the operator and cause serious injury. Never stand underneath the limb being cut.
- Pay attention to broken or bent branches. They may bounce back in cutting, causing unexpected injury.
- Before cutting limbs that you intend to cut, remove branches and leaves around them. Otherwise the saw may be caught by them.
- To prevent the saw from being caught in the kerf, do not release the throttle lever before pulling the saw out of the kerf.
- If the saw chain is bound in the kerf, immediately stop the engine, carefully move the branch to open the kerf and release the saw.
- Avoid kickback (rotational reactive force towards the operator). To prevent kickback, never use the guide bar nose or perform a penetrating cut. Always beware of the position of the guide bar nose.
- Check the chain tension frequently. When checking or adjusting the chain tension, stop the engine and remove the spark plug cap. If the tension is loose, tighten it.
- Operate the equipment with as little noise and contamination as possible. In particular check the correct setting of the carburetor.
- Never stand on a ladder and run the equipment.
- Never climb up into trees to perform cutting operation.
- Wait until the chain reaches its full working speed before cutting.
- Take a rest to prevent loss of control caused by fatigue. We recommend to take a 10 to 20-minute rest every hour.

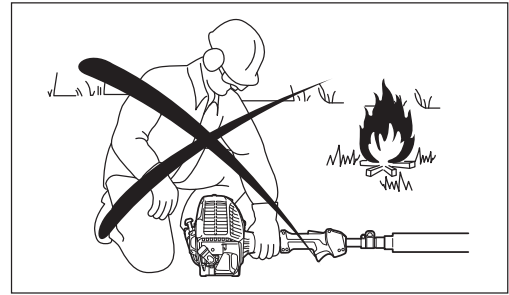
## Transport

- Before transporting the equipment, switch off the engine and remove the spark plug cap.
- Always fit the guide bar cover during transportation.
- Always use the tool protection included with the equipment.
- Carry it in a horizontal position by holding the shaft. Keep the hot muffler away from your body.
- When transporting the equipment in a vehicle, properly secure it to avoid turnover. Otherwise fuel spillage and damage to the equipment and other baggage may result.
- Shut off the engine during transport.
- Ensure that the fuel tank is completely empty.
- When unloading the equipment from the truck, never drop the engine to the ground or this may severely damage the fuel tank.
- Remember to lift the entire equipment from the ground when moving the equipment. Dragging the fuel tank is highly dangerous and will cause damage and leakage of fuel, possibly causing fire.



## Maintenance instructions

- Have your equipment serviced by our authorized service center, always using only genuine replacement parts. Incorrect repair and poor maintenance can shorten the life of the equipment and increase the risk of accidents.
- Before doing any maintenance or repair work or cleaning the equipment, always stop the engine and remove the spark plug cap. Wait until the engine gets cold.
- To reduce the risk of fire, never service or store the equipment in the vicinity of fire.
- Always wear protective gloves when handling the saw chain.
- Always clean dust and dirt off the equipment. Never use gasoline, benzene, thinner, alcohol or the like for the purpose. Discoloration, deformation or cracks of the plastic components may result.
- After each use, tighten all screws and nuts, except for adjustment screws.
- Keep the saw chain sharp. If the saw chain has become blunt and cutting performance is poor, ask Makita authorized service center to sharpen it or replace it with new one.
- Do not attempt any maintenance or repair not described in this instruction manual. Ask Makita authorized service center for such work.
- Clean the equipment at regular intervals and check that all screws and nuts are well tightened.
- Always store the equipment in locked rooms and with an emptied fuel tank.



## Storage

- Before storing the equipment, perform full cleaning and maintenance. Fit the guide bar cover. Remove the spark plug cap. Drain the fuel and chain oil after the engine gets cold.
- Store the equipment in a dry and high or locked location out of reach of children.
- Do not prop the equipment against something, such as a wall. Otherwise it may fall suddenly and cause an injury.

Observe the relevant accident prevention instructions issued by the relevant trade associations and by the insurance companies. Do not perform any modifications on the equipment as this will endanger your safety.

The performance of maintenance or repair work by the user is limited to those activities as described in the instruction manual. All other work is to be done by an Authorized Service Center. Use only genuine spare parts and accessories released and supplied by MAKITA. Use of non-approved accessories and tools means increased risk of accidents. MAKITA will not accept any liability for accidents or damage caused by the use of non-approved attachments and fixing devices of attachments, or accessories.

## First aid

In case of accident make sure that a first-aid box is available in the vicinity of the cutting operations. Immediately replace any item taken from the first aid box.

## When asking for help, please give the following information:

- Place of accident
- What happened
- Number of injured persons
- Kind of injuries
- Your name



## Vibration

- People with poor circulation who are exposed to excessive vibration may experience injury to blood vessels or the nervous system. Vibration may cause the following symptoms to occur in the fingers, hands or wrists: "Falling asleep" (numbness), tingling, pain, stabbing sensation, alteration of skin color or of the skin. If any of these symptoms occur, see a physician!
- To reduce the risk of "white finger disease", keep your hands warm during operation and well maintain the equipment and accessories.

---

---

## EC DECLARATION OF CONFORMITY

**We Makita Corporation as the responsible manufacturer declare that the following Makita Machine(s):**

Designation of Machine: Telescopic Petrol Pole Saw

Model No./ Type: EY2650H

Specifications: see "TECHNICAL DATA" table

are of series production and

**Conforms to the following European Directives:**

2006/42/EC

And are manufactured in accordance with the following standards or standardised documents:

EN/ISO11680

The technical documentation is kept by:

Makita International Europe Ltd., Technical Department,  
Michigan Drive, Tongwell, Milton Keynes, Bucks MK15 8JD, England

The EC-Type Examination Certificate No. as a pole saw is:

4813008.13001

The EC-Type Examination per 2006/42/EC was performed by:

DEKRA Testing and Certification GmbH Enderstraße 92b 01277 Dresden, Germany

Identification No. 2140

31. 10. 2013



Tomoyasu Kato  
Director

Makita Corporation  
3-11-8, Sumiyoshi-cho,  
Anjo, Aichi, 446-8502, JAPAN

---

---



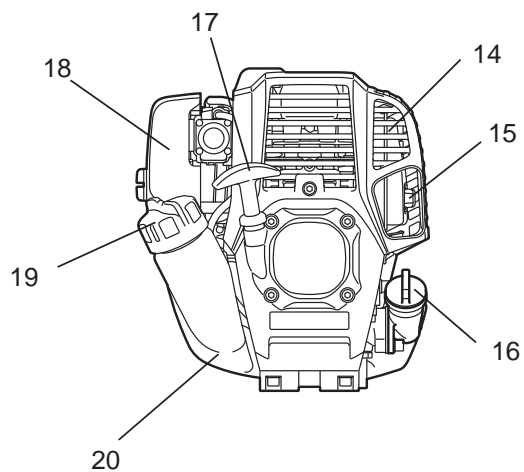
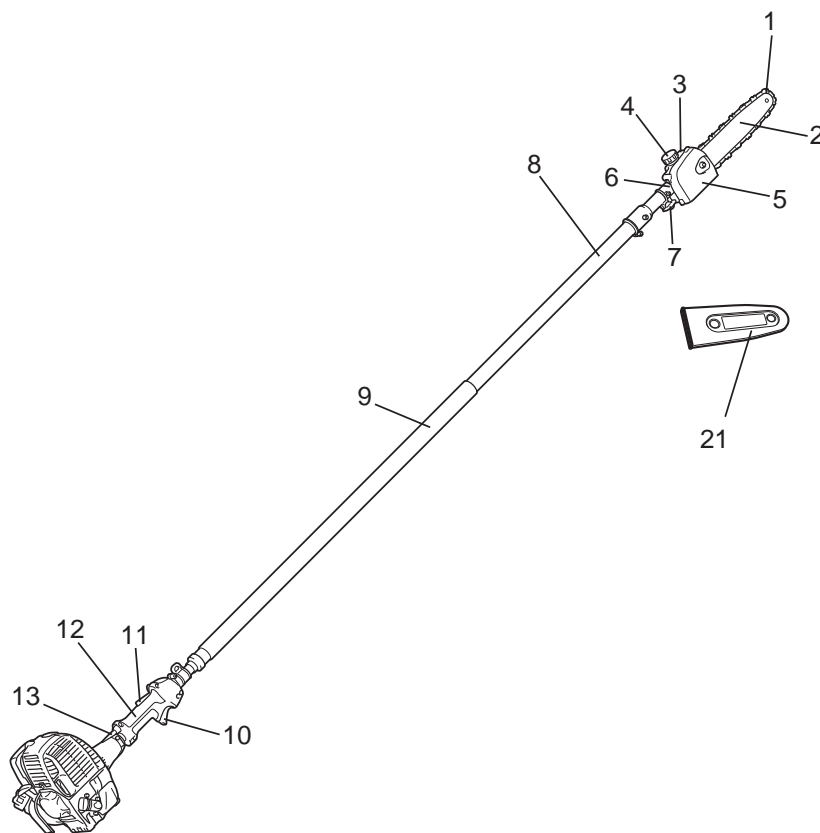
## TECHNICAL DATA

Model		EY2650H		
Dimension: L x W x H	mm	2,720-3,920 x 223 x 240		
Weight	kg	7.2		
Fuel tank volume	cm <sup>3</sup>	600		
Chain oil tank volume	cm <sup>3</sup>	120		
Engine displacement	cm <sup>3</sup>	25.4		
Max. chain speed	m/s	21.0		
Maximum engine performance		0.77 kW at 7,000 min <sup>-1</sup>		
Engine speed at recommended max, spindle speed	min <sup>-1</sup>	10,000		
Idling speed	min <sup>-1</sup>	3,000		
Clutch engagement speed	min <sup>-1</sup>	4,400		
Carburetor		Diaphragm type		
Spark plug	Type	NGK CMR4A		
Electrode gap	mm	0.7 - 0.8		
Fuel		Automobile gasoline (petrol)		
Engine oil		API grade SF class or higher, SAE 10W-30 oil (automobile 4-stroke engine oil)		
Cutting length	mm	255		
Guide bar length	mm (inch)	255 (10")		
Saw chain		91VXL-39E		
Chain pitch	inch	3/8"		
Chain gauge	mm (inch)	1.3 (0.05")		
Number of sprocket teeth		7		
Chain oil		Makita genuine chain oil		
Chain oil pump		Plunger pump (Self lubricating type)		
Vibration per ISO 22867	Right grip (rear grip)	a <sub>h<sub>v</sub> eq</sub> (Shaft in shortest position)	m/s <sup>2</sup>	5.3
		a <sub>h<sub>v</sub> eq</sub> (Shaft in longest position)	m/s <sup>2</sup>	6.1
		Uncertainty K	m/s <sup>2</sup>	2.0
	Left grip (front grip)	a <sub>h<sub>v</sub> eq</sub> (Shaft in shortest position)	m/s <sup>2</sup>	7.2
		a <sub>h<sub>v</sub> eq</sub> (Shaft in longest position)	m/s <sup>2</sup>	8.6
		Uncertainty K	m/s <sup>2</sup>	2.0
Sound pressure level average per ISO 22868	L <sub>PA eq</sub>	dBA	89.5	
	Uncertainty K	dBA	2.5	
Sound power level average per ISO 22868	L <sub>WA eq</sub>	dBA	107.3	
	Uncertainty K	dBA	2.5	

- Due to our continuing program of research and development, the specifications herein are subject to change without notice.
- Specifications may differ from country to country.

## DESIGNATION OF PARTS

EY2650H



GB	DESIGNATION OF PARTS
1	Saw chain
2	Guide bar
3	Oil tank
4	Oil tank cap
5	Bar holder
6	Gear case
7	Knob
8	Telescopic shaft
9	Front grip
10	Throttle lever
11	Lock-off lever
12	Rear grip
13	Control cable
14	Exhaust muffler
15	Exhaust pipe
16	Oil cap
17	Starter knob
18	Air cleaner
19	Fuel tank cap
20	Fuel tank
21	Guide bar cover

## ASSEMBLY AND ADJUSTMENT

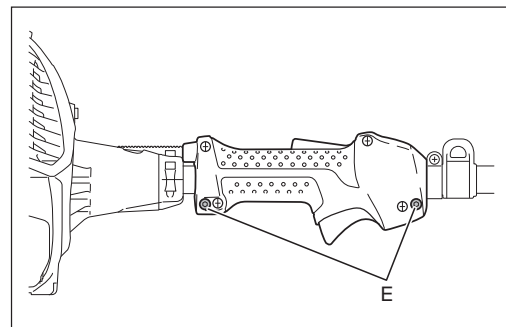
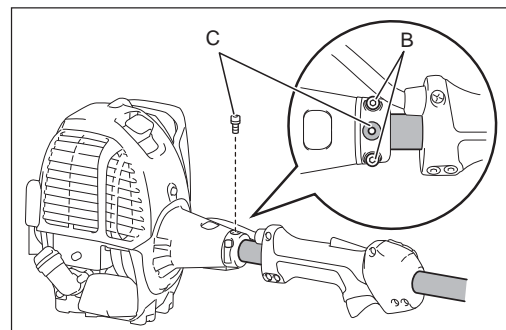
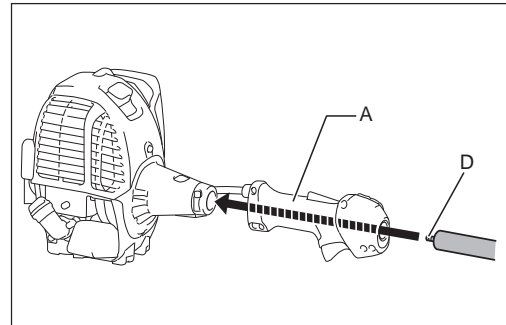
### WARNING:

- Before assembling, adjusting or checking, switch off the engine and remove the spark plug cap.
- Always wear protective gloves when handling saw chain.
- Wait until the saw chain cools down before assembling, adjusting or checking. The saw chain become very hot during the operation, and may cause burn.

### Assembling shaft and clutch case

Assemble the shaft with the rear grip and the engine unit as follows:

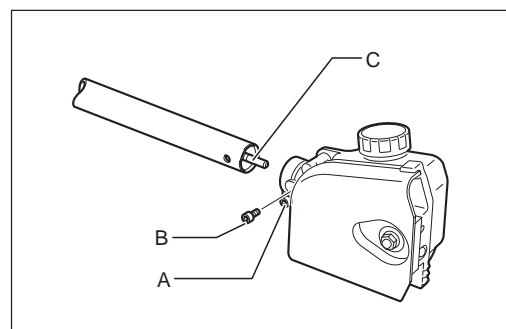
1. Insert the shaft through the rear grip **(A)**.
2. Loosen two fastening bolts **(B)** and remove the center bolt **(C)** on the clutch case.
3. Insert the shaft into the clutch case. If it is difficult to fully insert, turn the spline **(D)** a little.
4. Align the hole on the shaft with the hole of the center bolt.
5. Tighten the center bolt.
6. Tighten two fastening bolts evenly.
7. Adjust the position of the rear grip, then tighten it by two bolts **(E)**.



### Assembling shaft and gear case

Assemble the shaft with the gear case as follows:

1. Loosen the bolt **(A)**. And remove the bolt **(B)**.
2. Insert the shaft into the gear case. If it is difficult to fully insert it, turn the spline **(C)** a little.
3. Align the hole on the shaft with the bolt **(B)** hole.
4. Tighten the bolt **(B)** first and then tighten the bolt **(A)**.



## Assembling saw chain and guide bar

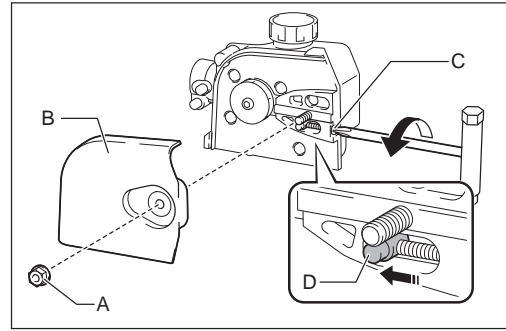
**CAUTION:** Make sure that the saw chain, guide bar and sprocket match each other in gauge and pitch.

Assemble the saw chain and guide bar as the following steps.

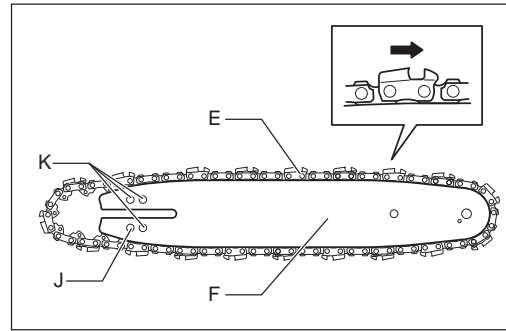
1. Loosen the nut **(A)** and remove the bar holder **(B)**.
2. Turn the tension screw **(C)** counterclockwise until the tensioning nut **(D)** touches the left end.

**NOTICE:**

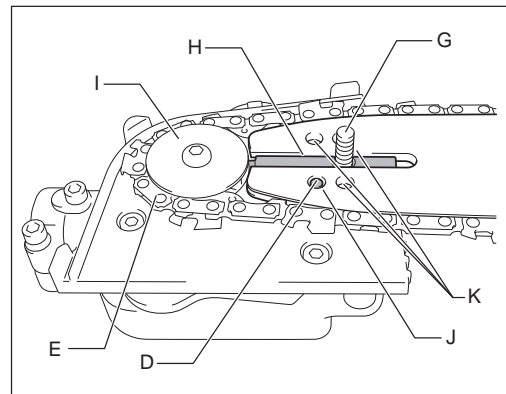
- Do not turn the tension screw counterclockwise too much, otherwise the tension screw and the tensioning nut comes off from the housing.



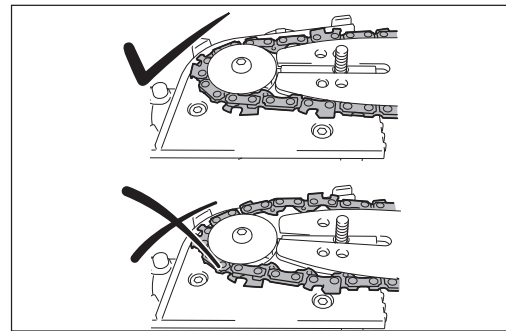
3. Fit the saw chain **(E)** into the groove of guide bar **(F)**. Start the procedure from the bar nose.



4. Align the position bolt **(G)** with the notch of the guide bar **(H)**, and then fit the saw chain **(E)** onto the sprocket **(I)**. Make sure that the saw chain is kept fitting along the guide bar during the procedure.
5. Install the guide bar **(F)** so that the tensioning nut **(D)** fits into the hole **(J)** on the guide bar. Holes **(K)** are not used.



6. Place the saw chain onto the groove of the guide bar properly. If the saw chain is not placed into the groove of the guide bar properly at this point, adjust and fit it appropriately.
7. Fit the bar holder **(B)** and tighten the nut **(A)** securely. Then loose the nut a half turn as a provision of the chain tension adjustment.
8. Adjust the chain tension. Refer to the section "Adjusting the chain tension."

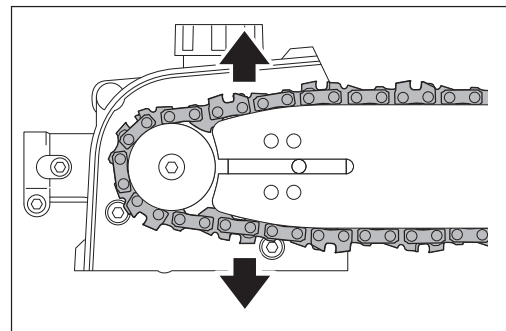


**CAUTION:**

- Keep the applicable chain tension. Loose tension can cause the saw chain derail.

To remove the saw chain and guide bar, turn the tension screw **(C)** counterclockwise first.

Pull the saw chain outward to let the saw chain comes out from the groove of the guide bar, then remove them from the housing.



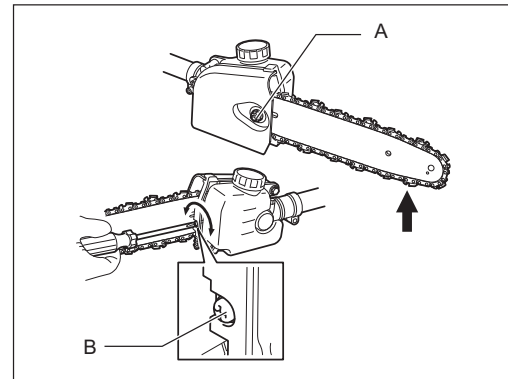
## Adjusting the chain tension

### CAUTION:

- Keep the applicable chain tension. Loose tension can cause the saw chain to come off during operation. Too tight tension can damage the saw chain or guide bar.
- During operation, check the chain tension frequently. The saw chain stretches and becomes loose during operation. When use a new saw chain, adjust the tension more frequently.

Adjust the chain tension as the following steps.

1. Loosen the nut **(A)** a half turn.
2. Hold the bar nose up. Turn the tensioning screw **(B)** clockwise until the saw chain fits the underside of the guide bar snugly.
3. Grasp the saw chain in the middle of the guide bar and lift up. The gap between the guide bar and the tie strap of the saw chain should be approximately 3 - 4 mm (0.118"-0.157"). If it is not, turn the tensioning screw counterclockwise slightly and do the step 2 again.
4. Tighten the nut **(A)** securely.
5. If necessary, tighten the tensioning screw a little to prevent it from falling.



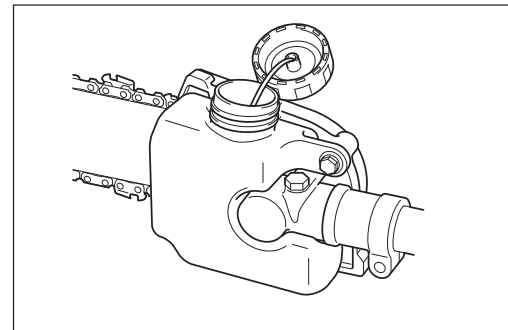
## Filling the chain oil tank

The saw chain must be lubricated with chain oil during operation. Before operation, fill the chain oil tank. After supplying the oil, tighten the oil cap securely. Use Makita genuine chain oil only.

### NOTICE:

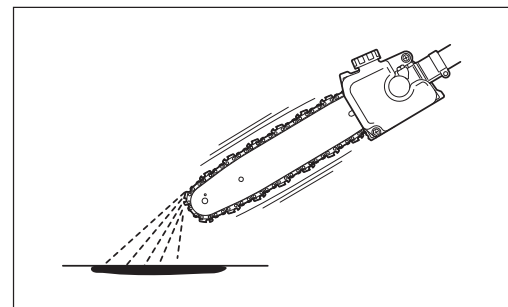
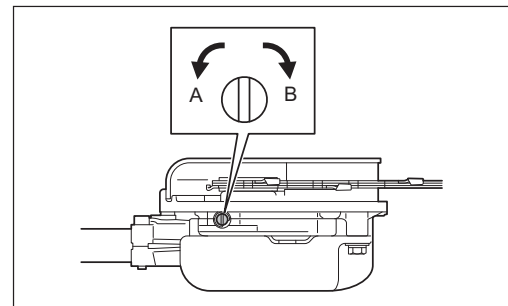
- Never use waste oil. It may damage the oil pump.
- Avoid dusty environment when filling the chain oil. Dust and other foreign materials may damage the oil feed system.

During operation, always pay attention to the oil level. Refill the tank if the oil level becomes low. The tank becomes empty in approximately 40 minutes of operation (depending on the setting of the chain lubrication).



## Adjusting the chain-oil feeding rate

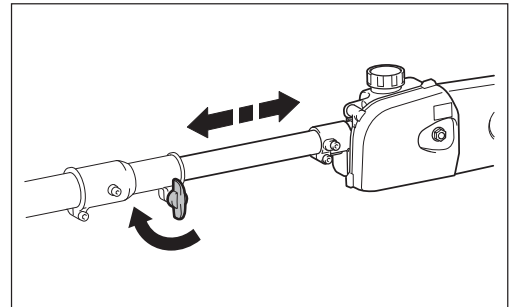
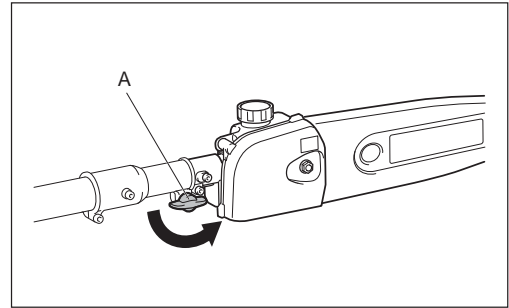
The chain-oil feeding rate is adjustable in three steps. According to the operation, for example cutting hard limbs, adjust the feeding rate. To adjust the chain-oil feeding rate, use a flat-bladed screwdriver. Push in the adjusting screw and turn it. To increase feeding rate, turn the adjusting screw counterclockwise **(A)**. To reduce feeding rate, turn it clockwise **(B)**. After adjusting the chain-oil feeding rate, check the feeding rate by driving the equipment at medium speed.



### Adjusting the length of pole saw

Adjust the length of the pole saw as follows:

1. Turn the knob **(A)** counterclockwise.
2. Adjust the length of the pole.
3. Turn the knob clockwise to fasten the gear head.



### Shoulder strap

#### Adjusting the shoulder strap

Adjust the strap to the suitable length for your operation.

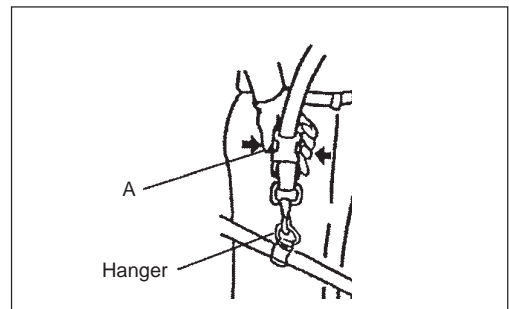
#### Detachment

In case of emergency, push the notches **(A)** at both sides, and detach the equipment.

Be extremely careful to maintain control of the equipment at this time. Do not allow the equipment to be deflected toward you or anyone in your vicinity.

**WARNING:** Failure to maintain complete control of the machine at all could result in serious injury or DEATH.

Note: In some countries, shoulder strap does not have this detachment function.



## BEFORE START OF OPERATION

### Inspection and refill of engine oil

- Perform the following procedure, with the engine cooled down.
- Set the engine level, remove oil cap (Fig. 1), and check to see whether or not there is oil in the range between the upper limit and lower limit marks of the oil pipe (Fig. 2).
- Top up with oil to upper limit mark if oil is insufficient (oil level is close to lower limit mark) (Fig. 3).
- The area surrounding the external marks is transparent, so the amount of oil inside can be checked without having to remove the oil cap. However, if oil pipe becomes extremely dirty, visibility may be lost, and oil level will have to be checked against stepped section on inside of oil pipe.
- For reference, the oil refill time is about 10h (every 10 refuellings).  
If the oil changes in color or mixes with dirt, replace it with new one. (For the interval and method of replacement, refer to P 20)

**Recommended oil:** SAE 10W-30 oil of API Classification, Class SF or higher (4-stroke engine for automobile)

**Oil volume:** Approx. 0.08L

**Note:** If the engine is not kept upright, oil may go into around the engine, and may be refilled excessively.  
If the oil is filled above the limit, the oil may be contaminated or may catch fire with white smoke.

#### Point 1 in Replacement of oil: "Oil cap"

- Remove dust or dirt near the oil refill port, and detach the oil cap.
- Keep the detached oil cap free of sand or dust. Otherwise, any sand or dust adhering to the oil cap may cause irregular oil circulation or wear on the engine parts, which will result in troubles.

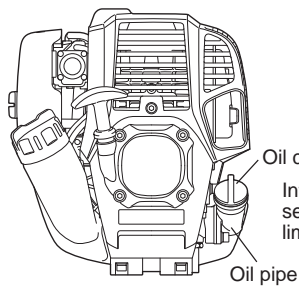


Fig. 1

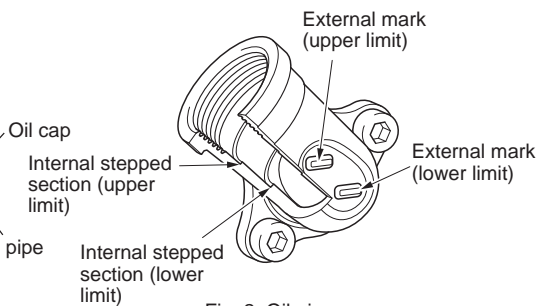
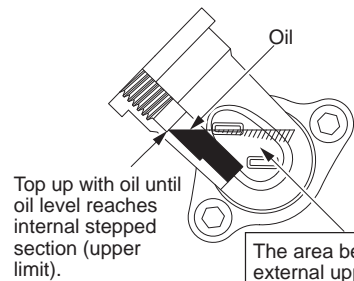


Fig. 2 Oil pipe

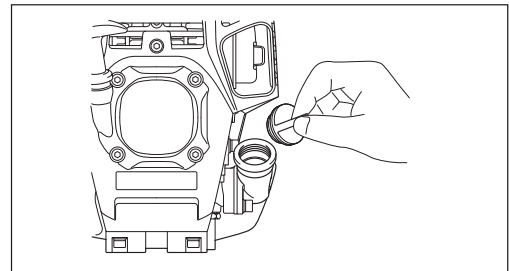


Top up with oil until oil level reaches internal stepped section (upper limit).

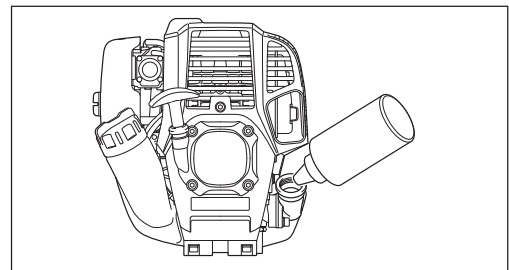
The area between the external upper and lower limits is transparent, so oil level can be checked externally against these marks.

Fig. 3

- (1) Keep the engine level, and detach the oil cap.



- (2) Fill with oil to upper limit mark. (see Fig. 3)  
Use oil bottle when filling.



- (3) Securely tighten the oil cap. Insufficient tightening may cause oil leakage.

### Note

- Do not replace oil with the engine in a tilted position.
- Filling with oil while engine is tilted leads to overfilling which causes oil contamination and/or white smoke.

### Point 2 in Replacement of oil: “If oil spills out”

- If oil spills out between the fuel tank and engine main unit, the oil is sucked into through the cooling air intake port, which will contaminate the engine. Be sure to wipe out spilt oil before start of operation.

## REFUELLING

### Handling of fuel

It is necessary to handle fuel with utmost care. Fuel may contain substances similar to solvents. Refuelling must be performed in a sufficiently ventilated room or in the open air. Never inhale fuel vapor, and keep fuel away from you. If you touch fuel repeatedly or for a long time, the skin becomes dry, which may cause skin disease or allergy. If fuel enters into the eye, clean the eye with fresh water. If your eye remains still irritated, consult your doctor.

Do not perform refuelling in the dusk or on unstable surface.

### Storage period of fuel

Fuel should be used up within a period of 4 weeks, even if it is kept in a special container in a well-ventilated shade. If a special container is not used or if the container is not covered, fuel may deteriorate in one day.

### STORAGE OF MACHINE AND REFILL TANK

- Keep the machine and tank at a cool place free from direct sunshine.
- Never keep the fuel in the cabin or trunk.

### Fuel

The engine is a four-stroke engine. Be sure to use an automobile gasoline (regular gasoline or premium gasoline).

### Points for fuel

- Never use a gasoline mixture which contains engine oil. Otherwise, it will cause excessive carbon accumulation or mechanical troubles.
- Use of deteriorated oil will cause irregular startup.

### Refuelling

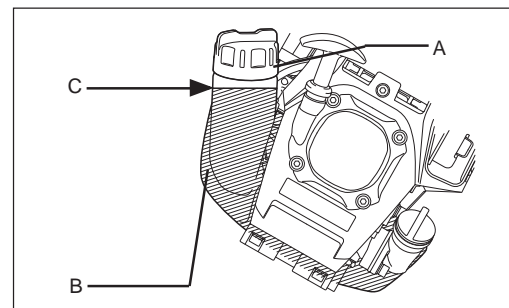
#### WARNING: INFLAMMABLES STRICTLY PROHIBITED

**CAUTION:** Do not forget to close the fuel tank cap after refuelling. Never start the engine with the fuel tank cap opened.

**Gasoline used:** Automobile gasoline (unleaded gasoline)

1. Loosen the fuel tank cap **(A)** a little to avoid the fuel spilling.
2. Detach the fuel tank cap. And tilt the engine so that the refuel port faces upwards.
3. Refuel carefully with discharging air from the fuel tank **(B)**. (Do not refuel over the fuel upper limit **(C)**.)
4. Wipe well the periphery of the fuel tank cap to prevent foreign matter from entering into the fuel tank.
5. After refuelling, securely tighten the fuel tank cap.

- If there is any flaw or damage on the tank cap, replace it.
- The tank cap wears out in course of time. Replace it every two to three years.





## POINTS IN OPERATION AND HOW TO STOP

### CAUTION:

Observe the applicable accident prevention regulations!

### NOTICE:

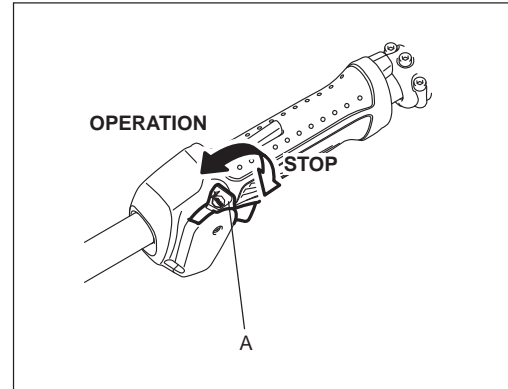
Remove the guide bar cover before starting the engine.

### STARTING

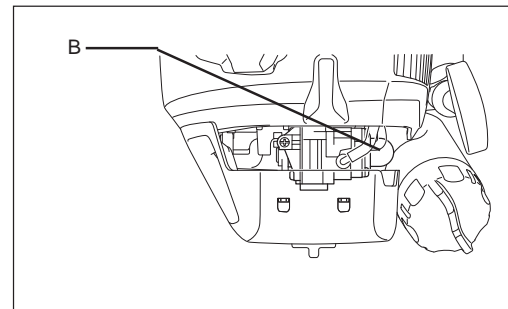
Move at least 3 m away from the place of refuelling. Place the equipment on a clean piece of ground taking care that the attachment does not come into contact with the ground or any other objects.

#### A: Cold start

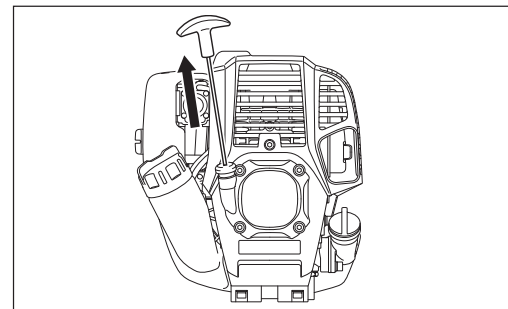
- 1) Set this machine on a flat space.
- 2) Set the I-O switch (**A**) to OPERATION.



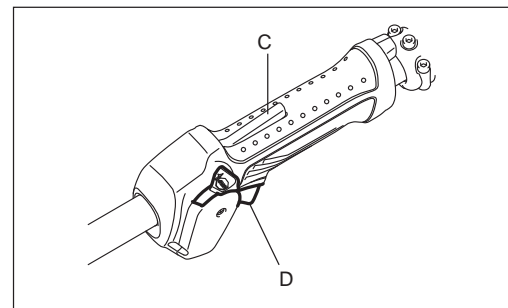
- 3) Primer pump  
Continue to push the primer pump (**B**) until fuel enters into the primer pump.  
(In general, fuel enters into the primer pump by 7 to 10 pushes.)  
If the primer pump is pushed excessively, an excess of gasoline returns to the fuel tank.



- 4) Recoil starter  
Pull the start knob gently until it is hard to pull (compression point). Then, return the start knob, and pull it strongly.  
Never pull the rope to the full. Once the start knob is pulled, never release your hand immediately. Hold the start knob until it returns to its original point.



- 5) The handle equips with lock-off lever (**C**) to prevent accidental start. To pull the throttle lever (**D**), grasp the handle to release the lock (the lock-off button is pressed by hand pressure).



- 6) Warm-up operation  
Continue warm-up operation for 2 to 3 minutes.

Note: In case of excessive fuel intake, remove the spark plug and pull the starter handle slowly to remove excess fuel. Also, dry the electrode section of the spark plug.

### Caution during operation:

If the throttle lever is opened fully in a no-load operation, the engine rotation is increased to 10,000 min<sup>-1</sup> or more. Never operate the engine at a higher speed than required and at an approximate speed of 6,000 - 8,500 min<sup>-1</sup>.

### B: Startup after warm-up operation

- 1) Push the primer pump repeatedly.
- 2) Keep the throttle lever at the idling position.
- 3) Pull the recoil starter strongly.
- 4) If it is difficult to start the engine, open the throttle by about 1/3.  
Pay attention to the attachment which may rotate.

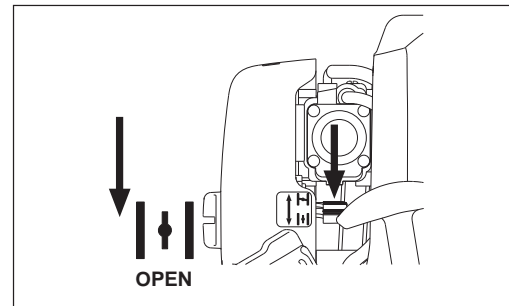
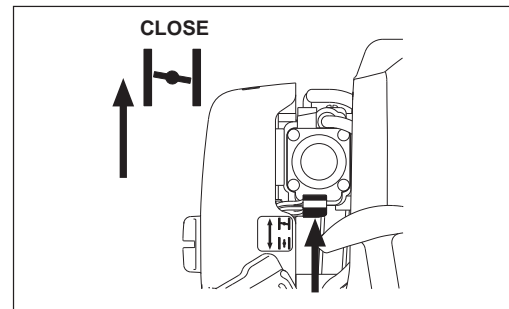
### At times, such as winter, when starting the engine is difficult

Operate choke lever with the following procedure when starting engine.

- After implementing startup steps 1) to 3), set choke lever to the CLOSE position.
- Implement startup step 4) and start engine.
- Once engine starts, set choke lever to the OPEN position.
- Implement startup step 5) and complete warm up.

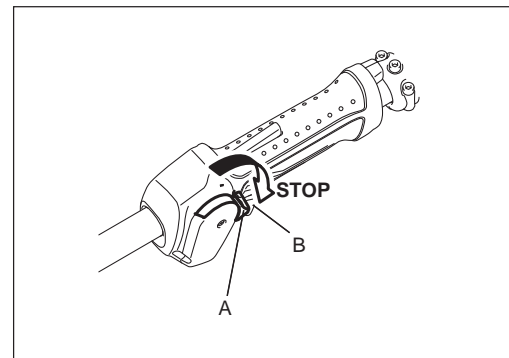
CAUTION: If a bang (explosive sound) is heard and the engine stops, or the just-started engine stalls before the choke lever is operated, return the choke lever to the OPEN position, and pull the starter knob a few times again to start the engine.

CAUTION: If the choke lever is left in the CLOSE position, and the starter knob merely pulled repeatedly, too much fuel will be sucked in, and the engine will become difficult to start.



### STOPPING

- 1) Release the throttle lever (**B**) fully, and when the engine rpm has lowered, set the I-O switch (**A**) to STOP the engine will now stop.
- 2) Be aware that the attachment may not stop immediately and allow it to slow down fully.

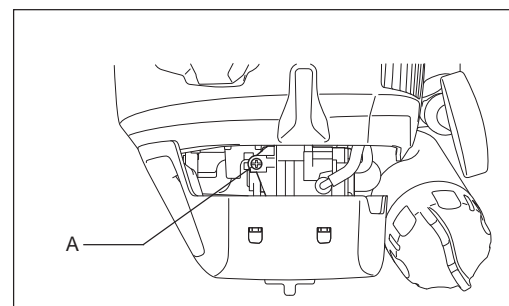


### ADJUSTMENT OF LOW-SPEED ROTATION (IDLING)

When it is necessary to adjust the low-speed rotation (idling), perform it by the carburetor adjusting screw (**A**).

### CHECKUP OF LOW-SPEED ROTATION

- Set the low-speed rotation to 3,000 min<sup>-1</sup>.  
If it is necessary to change the rotation speed, regulate the adjusting screw, with Phillips screwdriver.
- Turn the adjusting screw to the right, and the engine rotation will increase. Turn the adjusting screw to the left, and the engine rotation will drop.
- The carburetor is generally adjusted before shipment. If it is necessary to readjust it, please contact Authorized Service Center.



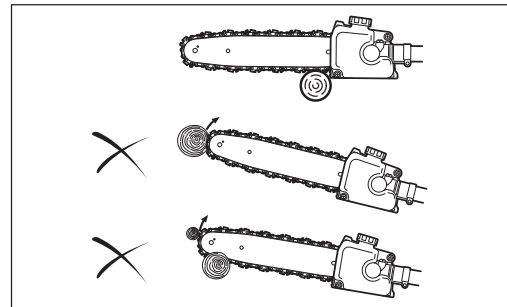
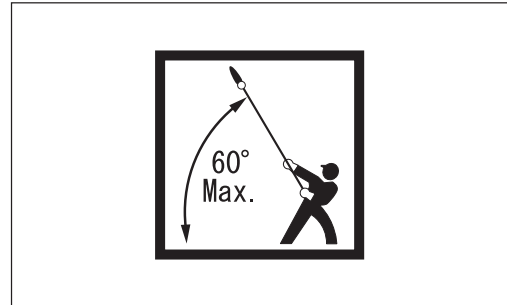
## OPERATION

### Standing position

- Stand on stable surface. Make the angle of the pole saw become 60° against the horizontal ground.
- Cut lower branches first so that the branches fall easier.
- Always keep escape route in case a cut branch falls towards the operator.

### Method

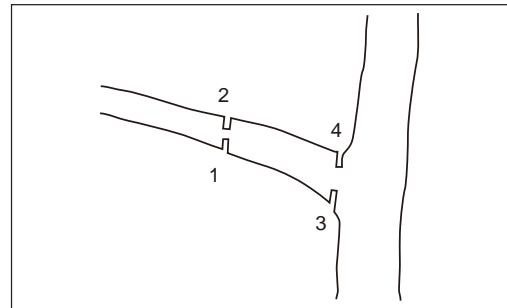
- Start the engine, and pull the throttle until the saw chain reaches its full speed.
- Press the saw chain onto the branch lightly. Do not force the equipment, otherwise it may damage the equipment.
- Never use the tip of the bar for cutting. Otherwise dangerous kickback may occur, and it may result in personal injury.



### Tips for cutting thick branch

When you cut a thick branch, use the following method.

1. Make a small notch on the under side of the branch where is a bit distance from you intend to cut.
2. Cut the branch from the upper side of where you notched.
3. Make another small notch on the under side of the branch where you intend to cut.
4. Cut where you intend to cut from the upper side.



## SERVICING INSTRUCTIONS

**CAUTION:** Before doing any work on the equipment, always stop the engine and pull the plug cap off the spark plug (see "checking the spark plug").

Always wear protective gloves!

When inspecting or maintaining the equipment, always put it down. Assembling or adjusting the equipment in an upright position may result in serious injury.

Always put the guide bar cover when servicing.

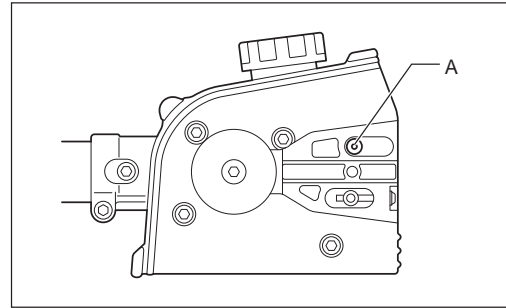
To ensure a long service life and to avoid any damage to the equipment, the following servicing operations should be performed at regular intervals.

### Daily checkup and maintenance

- Before operation, check the machine for loose screws or missing parts. Pay particular attention to a specified attachment for mounting in place securely.
- Before operation, always check for clogging of the cooling air passage and the cylinder fins. Clean them if necessary.
- Perform the following work daily after use:
  - Clean the equipment externally and inspect for damage.
  - Clean the air filter. When working under extremely dusty conditions, clean the filter several times a day.
  - Check that there is sufficient difference between idling and engagement speed to ensure that the attachment is at a standstill while the engine is idling (if necessary reduce idling speed).  
If under idling conditions the tool should still continue to run, consult your nearest Authorized Service Agent.
- Check the functioning of the I-O switch, the lock-off lever and the control lever.

### Cleaning the chain-oil feed port

Clean the chain-oil feed port (A) daily. To access it, remove the bar holder and guide bar.

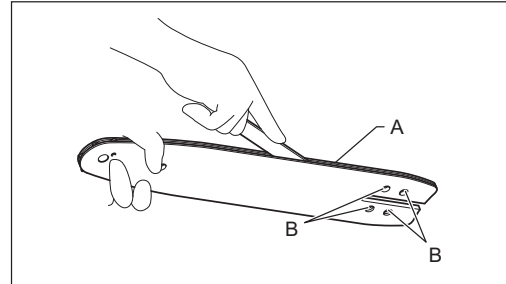


### Cleaning and inspecting the guide bar

Clean the guide bar daily. Remove saw dust from the groove (A) and chain-oil feed port (B).

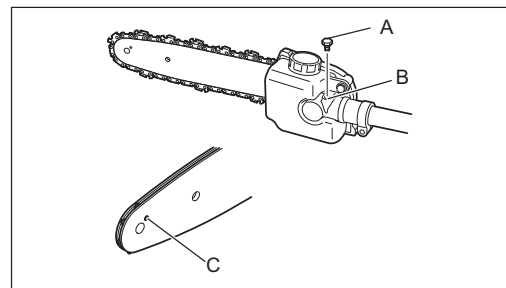
To avoid one side wear of the guide bar, turn it over every time you replace or sharpen the saw chain.

If the groove is worn, bent, cracked or deformed, replace the guide bar.



### Inspecting the saw chain

When you feel the saw chain is worn, deformed, cracked or you need more effort for the cutting, replace it or ask Makita authorized service center to sharpen it.



### Lubricating moving parts

**NOTICE:** Follow the instruction of the frequency and amount of grease supplied. Otherwise insufficient lubrication may damage moving parts.

Gear case:

Remove the grease plug (A) and fill lithium-base grease through the grease hole (B) every 25 hours of operation.

Guide bar nose:

Apply grease (Shell Alvania No. 2 or equivalent) from the grease hole (C) every 10 hours of operation.

## REPLACEMENT OF ENGINE OIL

Deteriorated engine oil will shorten the life of the sliding and rotating parts to a great extent. Be sure to check the period and quantity of replacement.



**ATTENTION:** In general, the engine main unit and engine oil still remain hot just after the engine is stopped. In replacement of oil, confirm that the engine main unit and engine oil are sufficiently cooled down. Otherwise, there may remain a risk of scald.

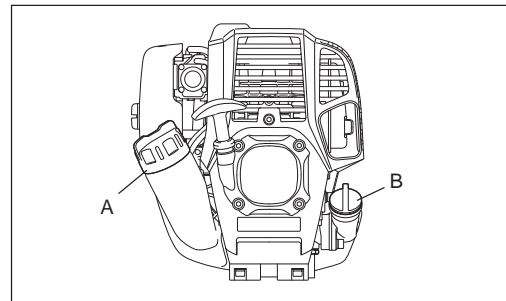
**Note:** If the oil filled above the limit, it may be contaminated or may catch fire with white smoke.

**Interval of replacement:** Initially, after 20 operating hours, and subsequently every 50 operating hours

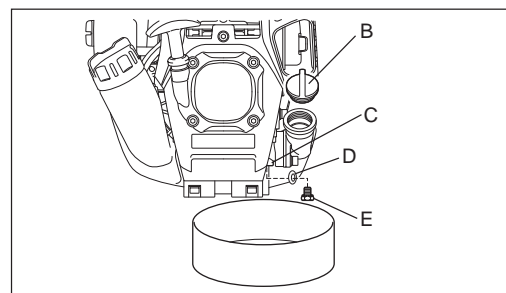
**Recommended oil:** SAE10W-30 oil of API Classification SF Class or higher (4-stroke engine oil for automobile)

In replacement, perform the following procedure.

- 1) Confirm that the fuel tank cap (A) is tightened securely.
- 2) Place large container (pan, etc.) under drain hole (C).

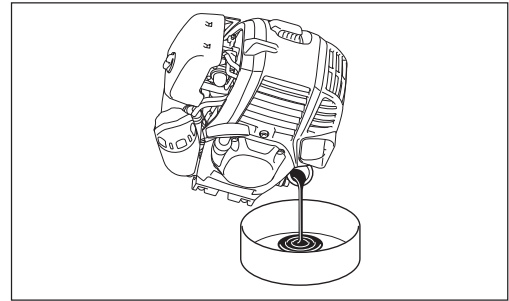


- 3) Remove drain bolt (E) and then remove oil cap (B) to drain out oil from drain hole. At this time, be sure not to mislay drain bolt's gasket (D), or to make dirty any of the removed components.
- 4) Once all the oil has been drained, combine gasket and drain bolt, and tightly secure drain bolt, so that it will not loosen and cause leaks.  
\* Use cloth to fully wipe off any oil attached to bolt and equipment.

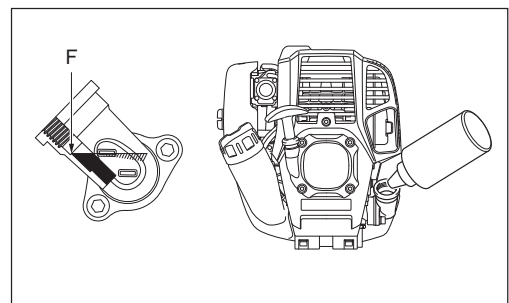
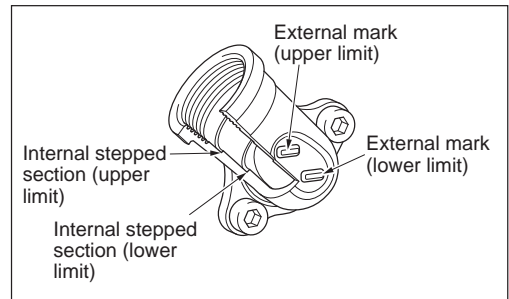


#### Alternative draining method

Remove oil cap, tilt the equipment toward oil filler hole, and drain out oil. Collect oil in container.



- 5) Set the engine level, and gradually fill up to upper limit mark **(F)** with new oil.
- 6) After filling, tightly secure oil cap, so that it will not loosen and cause leaks. If oil cap is not tightly secured, it may leak.



#### **POINTS ON OIL**

- Never discard replaced engine oil in garbage, earth or sewage ditch. Disposal of oil is regulated by law. In disposal, always follow the relevant laws and regulations. For any points remaining unknown, contact Authorized Service Agent.
- Oil will deteriorate even when it is kept unused. Perform inspection and replacement at regular intervals (replace with new oil every 6 months).

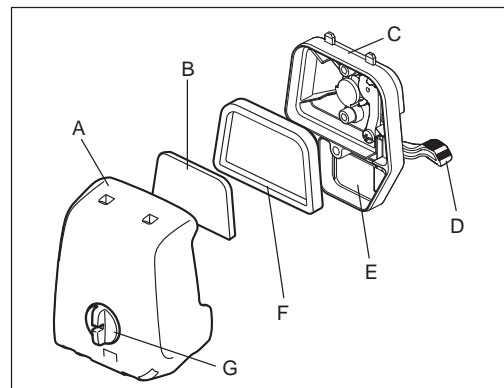
## CLEANING OF AIR CLEANER



**DANGER: INFLAMMABLES STRICTLY PROHIBITED**

**Interval of cleaning and inspection: Daily (every 10 operating hours)**

- Turn the choke lever **(D)** to the full close side, and keep the carburetor off from dust or dirt.
- Loosen the fixing bolt **(G)**.
- Remove the air cleaner cover **(A)** by pulling its bottom side.
- Remove the elements **(B) (F)** and tap them to remove dirt.
- If the elements are heavily contaminated:  
Remove the elements, immerse them in warm water or in water-diluted neutral detergent, and dry them completely. Do not squeeze or rub them when washing.
- Before attaching the elements, be sure to dry them completely. Insufficient drying of the elements may lead to difficult startup.
- Wipe out oil adhering around the air cleaner cover and the breather part **(E)** with waste cloth.
- Fit the element (sponge) **(B)** into the element (felt) **(F)**.  
Fit the elements into the plate **(C)** so that the sponge faces the air cleaner cover.
- Immediately attach the cleaner cover and tighten it with fixing bolts. (In remounting, first place the upper claw, and then the lower claw.)



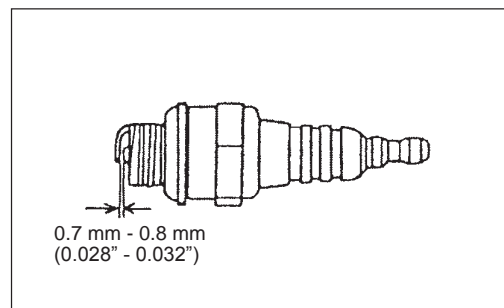
### NOTICE:

- Clean the elements several times a day, if excessive dust adheres to it. Dirty elements reduce engine power and make starting engine difficult.
- Remove oil on the elements. If operation continues with the elements remaining not cleared of oil, oil in the air cleaner may fall outside, resulting in contamination of the environment.
- Do not put the elements on the ground or dirty place. Otherwise they pick up dirt or debris and it may damage the engine.
- Never use fuel for cleaning the elements. Fuel may damage them.

## CHECKING THE SPARK PLUG

- Only use the supplied universal wrench to remove or to install the spark plug.
- The gap between the two electrodes of the spark plug should be 0.7 - 0.8 mm (0.028" - 0.032"). If the gap is too wide or too narrow, adjust it. If the spark plug is clogged or contaminated, clean it thoroughly or replace it.

**CAUTION:** Never touch the spark plug connector while the engine is running (danger of high voltage electric shock).



## CLEANING OF FUEL FILTER

### **WARNING: INFLAMMABLES STRICTLY PROHIBITED**

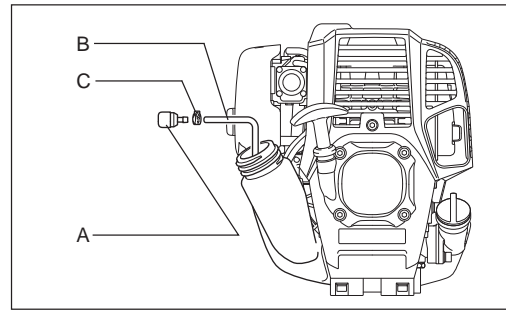
Interval of cleaning and inspection: Monthly (every 50 operating hours)

#### **Suction head in the fuel tank**

Check the fuel filter **(A)** periodically. To check the fuel filter, follow the steps below:

- (1) Remove the fuel tank cap, drain the fuel to empty the tank. Check the tank inside for any foreign materials. If any, remove them.
- (2) Pull out the suction head by using a wire hook through the tank opening.
- (3) If the fuel filter clogged slightly, clean it. To clean it, gently shake and tap it in fuel. To avoid damage, do not squeeze or rub it. The fuel used for the cleaning must be disposed in accordance with the method specified by regulations in your country.  
If the fuel filter became hard or heavily clogged up, replace it.
- (4) After checking, cleaning or replacing, insert the fuel filter into the fuel pipe **(B)** and fix it by the hose clamp **(C)**. Push the fuel filter in all the way to the bottom of the fuel tank.

Clogged or damaged fuel filter can cause insufficient fuel supply and reduce engine power. Replace the fuel filter at least quarterly to ensure satisfactory fuel supply to the carburetor.



## REPLACEMENT OF FUEL PIPE

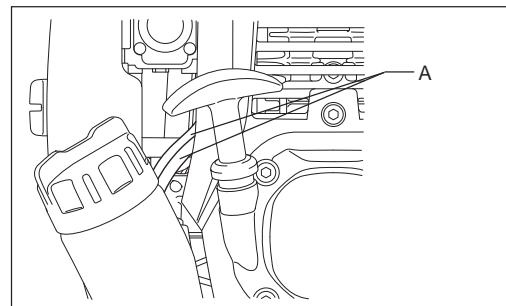
### **CAUTION: INFLAMMABLES STRICTLY PROHIBITED**

Interval of cleaning and inspection: Daily (every 10 operating hours)

Replacement: Annually (every 200 operating hours)

Replace the fuel pipe **(A)** every year, regardless of operating frequency. Fuel leakage may lead to fire.

If any leakage is detected during inspection, replace the fuel pipe immediately.



## INSPECTION OF BOLTS, NUTS AND SCREWS

- Retighten loose bolts, nuts, etc.
- Check for fuel and oil leakage.
- Replace damaged parts with new ones for safety operation.

## CLEANING OF PARTS

- Keep the engine always clean.
- Keep the cylinder fins free of dust or dirt. Dust or dirt adhering to the fins will cause piston seizure.

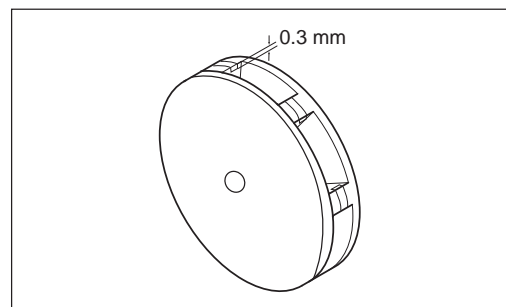
## REPLACEMENT OF GASKETS AND PACKINGS

In reassembling after the engine is dismantled, be sure to replace the gaskets and packings with new ones.

Any maintenance of adjustment work that is not included and described in this manual is only to be performed by Authorized Service Agents.

## INSPECTING SPROCKET

Check the sprocket for wear every 50 hours of use. Replace it if the wear marks becomes 0.3 mm or deeper.



## Sharpening the saw chain

### Sharpen the saw chain when:

- Mealy sawdust is produced when damp wood is cut;
- The chain penetrates the wood with difficulty, even when heavy pressure is applied;
- The cutting edge is obviously damaged;
- The saw pulls to the left or right in the wood. The reason for this behavior is uneven sharpening of the saw chain, or damage to one side only.

### Sharpen the saw chain frequently, but remove only a little material each time.

Two or three strokes with a file are usually sufficient for routine resharpener. When the saw chain has been resharpened several times, have it sharpened in MAKITA authorized service center.

### Sharpening criteria:

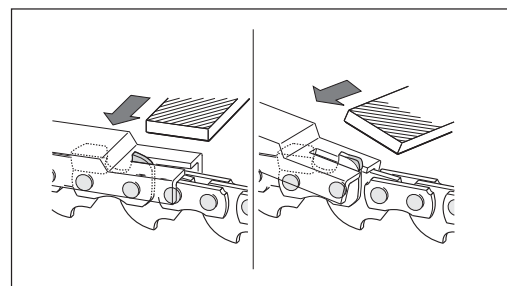
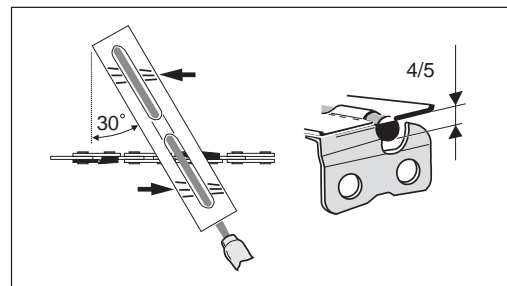
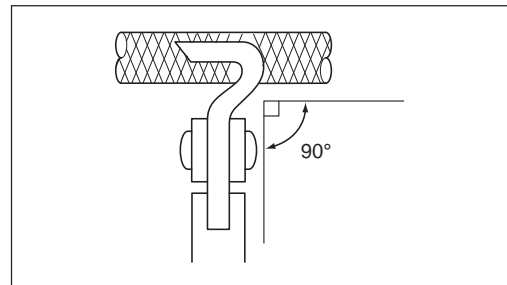
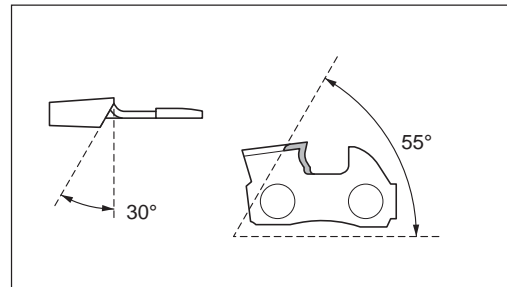
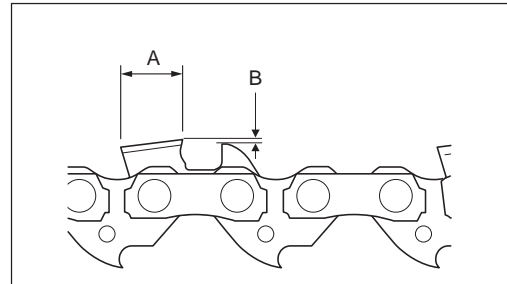
- All cutter length (**A**) must be equal. Cutters of different length prevent the chain from running smoothly, and may cause the chain to break.
- The chip thickness is determined by the distance between the depth gauge (round nose) and the cutting edge (**B**).
- The best cutting results are obtained with following distance between cutting edge and depth gauge.  
Chain blade 91VXL: 0.64 mm (0.025")

**⚠ WARNING:** An excessive distance increases the risk of kick-back.

- The sharpening angle of 30° must be the same on all cutters. Differences in angle cause the chain to run roughly and unevenly, accelerate wear, and lead to chain breaks.
- The side plate angle of the cutter is determined by the depth of penetration of the round file. If the specified file is used properly, the correct side plate angle is produced automatically.
- Proper angle for each saw chain are as follows:  
Chain blade 91VXL: 55°

### File and file guiding

- Use a special round file (optional accessory) for saw chains to sharpen the chain. Normal round files are not suitable.
- Diameter of the round file for each saw chain is as follows:  
Chain blade 91VXL: 4.0 mm (5/32")
- The file should only engage the cutter on the forward stroke. Lift the file off the cutter on the return stroke.
- Sharpen the shortest cutter first. Then the length of this shortest cutter becomes the standard for all other cutters on the saw chain.
- Guide the file as shown.
- The file can be guided more easily if a file holder (optional accessory) is employed. The file holder has markings for the correct sharpening angle of 30° (align the markings parallel to the saw chain) and limits the depth of penetration (to 4/5 of the file diameter).
- After sharpening the chain, check the height of the depth gauge using the chain gauge tool (optional accessory).
- Remove any projecting material, however small, with a special flat file (optional accessory).
- Round off the front of the depth gauge again.





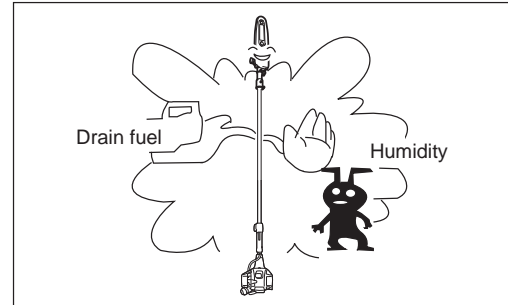
## STORAGE



**WARNING: When draining the fuel, be sure to stop the engine and confirm that the engine cools down.  
The engine is still hot just after stopping the engine. Wait until it cools down, otherwise it may cause burns or fire.**

When the machine is kept out of operation for a long time, perform the followings:

- Drain up fuel from the fuel tank and carburetor according to the following procedure:
  - 1) Remove the fuel tank cap, and drain fuel completely. If there is any foreign matter remaining in the fuel tank, remove it completely.
  - 2) Pull out the fuel filter from the refill port using a wire.
  - 3) Push the primer pump until fuel is drained from there, and drain fuel coming into the fuel tank.
  - 4) Reset the filter to the fuel tank, and securely tighten the fuel tank cap.
  - 5) Then, continue to operate the engine until it stops.
- Drain up the chain oil.
- Remove the saw chain and the guide bar.
- Clean the guide groove of the guide bar.
- Lubricate slightly on the saw chain and the guide bar.
- Remove the spark plug, and drip several drops of engine oil through the spark plug hole.
- Gently pull the starter handle so that engine oil will spread over the engine, and attach the spark plug.
- In general, store the machine in horizontal position. If it is not possible, place the machine as the motor unit comes below the cutting tool. Otherwise engine oil may leak from inside.
- Always pay attention to storing the machine in a safe place to prevent machine damage and personal injury.
- Keep the drained fuel in a special container in a well-ventilated shade.



### Attention after long-time storage

- Before startup after long-time storage, be sure to replace engine oil (refer to "REPLACEMENT OF ENGINE OIL"). Oil will deteriorate while the machine is kept out of operation.

### Fault location

Fault	System	Observation	Cause
Engine not starting or with difficulty	Ignition system	Ignition spark O.K.	Fault in fuel supply or compression system, mechanical defect
		No ignition spark	STOP-switch operated, wiring fault or short circuit, spark plug or connector defective, ignition module faulty
	Fuel supply	Fuel tank filled	Incorrect choke position, carburetor defective, fuel supply line bent or blocked, fuel dirty
	Compression	No compression when pulled over	Cylinder bottom gasket defective, crankshaft seals damaged, cylinder or piston rings defective or improper sealing of spark plug
Warm start problems	Mechanical fault	Starter not engaging	Broken starter spring, broken parts inside of the engine
		Tank filled ignition spark existing	Carburetor contaminated, have it cleaned
Engine starts but dies	Fuel supply	Tank filled	Incorrect idling adjustment, carburetor contaminated Fuel tank vent defective, fuel supply line interrupted, cable or STOP-switch faulty
Insufficient performance	Several systems may simultaneously be affected	Engine idling poor	Air filter contaminated, carburetor contaminated, muffler clogged, exhaust duct in the cylinder clogged

Item \ Operating time		Before operation	After lubrication	Daily (10h)	25h	50h	200h	Shutdown/rest
Whole unit	Visually inspect	○						
Engine oil	Inspect	○						
	Replace					○*1		
Tightening parts (bolt, nut)	Inspect	○						
Fuel tank	Inspect	○						
	Drain fuel							○*3
Throttle control	Check function	○	○					
Stop switch	Check function	○	○					
Idle speed	Inspect/adjust			○				
Air cleaner	Clean			○				
Ignition plug	Inspect			○				
Cooling air duct	Clean/inspect			○				
Fuel pipe	Inspect			○				
	Replace						◎*2	
Fuel filter	Clean/replace					○		
Valve clearance (intake valve and exhaust valve)	Inspect/adjust						◎*2	
Engine overhaul							◎*2	
Carburetor	Drain fuel							○*3
Chain oil feed port	Clean			○				
Guide bar	Clean the groove and the chain oil feed port			○				
	Inspect			○				
	Supply grease			○				
Gear case	Supply grease				○			
Sprocket	Inspect					○		
Saw chain	Replace or ask for sharpening							○*4

\*1 Perform initial replacement after 20h operation.

\*2 For the 200 operating hour inspection, request authorized service center.

\*3 After emptying the fuel tank, continue to run the engine and drain fuel in the carburetor.

\*4 If required.

## TROUBLESHOOTING

Before making a request for repairs, check a trouble for yourself. If any abnormality is found, control your machine according to the description of this manual. Never tamper or dismount any part contrary to the description. For repairs, contact Authorized Service Agent or local dealership.

State of abnormality	Probable cause (malfunction)	Remedy
Engine does not start	Failure to operate primer pump.	Push 7 to 10 times.
	Low pulling speed of starter rope.	Pull strongly.
	Lack of fuel.	Feed fuel.
	Clogged fuel filter.	Clean it.
	Disconnected fuel tube.	Connect fuel tube properly.
	Bent fuel tube.	Straighten fuel tube.
	Deteriorated fuel.	Deteriorated fuel makes starting more difficult. Replace with new fuel. (Recommended replacement: 1 month).
	Excessive suction of fuel.	Set throttle control to medium or high speed, and pull starter handle until engine starts. Once engine starts, saw chain starts rotating. Pay full attention to saw chain. If engine still does not start, remove spark plug, dry the electrode, and reassemble them as they originally were. Then, start as specified.
	Detached plug cap.	Attach securely.
	Contaminated spark plug.	Clean it.
	Abnormal clearance of spark plug.	Adjust clearance.
	Other abnormality of spark plug.	Replace it.
	Abnormal carburetor.	Make request for inspection and maintenance.
	Starter rope cannot be pulled.	Make request for inspection and maintenance.
Abnormal drive system.	Make request for inspection and maintenance.	
Engine stops soon Engine speed does not increase	Insufficient warm-up.	Perform warm-up operation.
	Choke lever is set to "CLOSE" although engine is warmed up.	Set to "OPEN".
	Clogged fuel filter.	Clean it.
	Contaminated or clogged air cleaner.	Clean it.
	Abnormal carburetor.	Make request for inspection and maintenance.
	Abnormal drive system.	Make request for inspection and maintenance.
Chain oil is not supplied.	The oil tank is empty.	Fill the oil tank with chain oil.
	The chain oil feed port is dirty.	Clean the chain oil feed port on the unit and guide bar.
	The adjusting screw of the chain oil feed rate is improperly set.	Set the adjusting screw properly.
Saw chain does not rotate ↓ Stop engine immediately	The guide bar is bent or damaged.	Replace the guide bar.
	Foreign matter caught by saw chain.	Remove foreign matter while the engine stopped.
	Abnormal drive system.	Make request for inspection and maintenance.
The equipment vibrates abnormally ↓ Stop engine immediately	Broken, bent or worn guide bar.	Replace guide bar.
	Loosened saw chain.	Adjust the saw chain tension.
	Abnormal drive system.	Make request for inspection and maintenance.
Saw chain does not stop ↓ Stop engine immediately	High idling rotation.	Adjust idle speed.
	Throttle control wire problem.	Ask service center to replace it.
	Abnormal drive system.	Make request for inspection and maintenance.
Engine does not stop ↓ Run engine at idling, and set choke lever to CLOSE	Detached connector to the I-O switch.	Attach securely.
	Abnormal electric system.	Make request for inspection and maintenance.

When the engine does not start after warm-up operation:

If there is no abnormality found for the checked items, open the throttle by about 1/3 and start the engine.

Merci beaucoup d'avoir choisi l'élagueuse thermique à perche télescopique MAKITA. Nous sommes ravis de vous recommander l'élagueuse thermique à perche télescopique de MAKITA, résultat d'un long programme de développement et de nombreuses années d'expérience et de connaissances. Veuillez lire ce livret qui explique en détail les nombreuses caractéristiques qui en font un outil d'une performance exceptionnelle. Il vous aidera à obtenir les meilleurs résultats possibles de votre élagueuse thermique à perche télescopique MAKITA.



Table des matières	Page
Symboles.....	28
Consignes de sécurité.....	29
Caractéristiques techniques.....	35
Nomenclature des pièces.....	36
Assemblage et réglage.....	37
Avant de commencer.....	41
Avertissements concernant le fonctionnement et la procédure d'arrêt.....	43
Fonctionnement.....	45
Instructions d'entretien.....	45
Entreposage.....	51

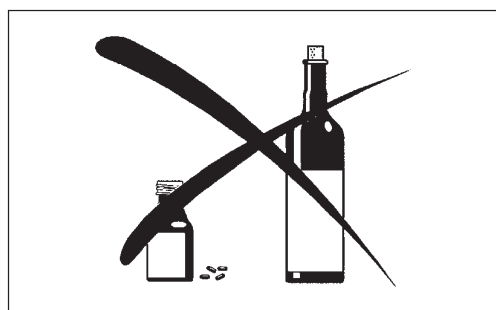
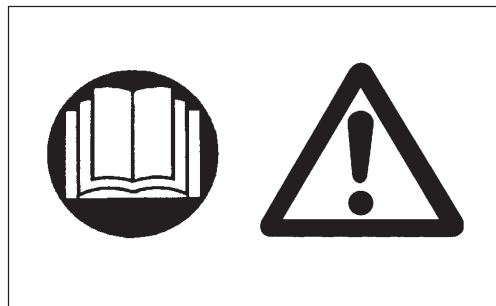
## SYMBOLES

Le mode d'emploi contient les symboles suivants.

	Lisez le mode d'emploi et suivez les mises en garde et précautions de sécurité !		Pas de flamme nue !
	Faites preuve de prudence et de vigilance !		Huile de chaîne.
	Portez un casque protecteur, des lunettes de protection et des protège-oreilles.		Éloignez les personnes et les animaux du lieu de travail !
	Portez des gants de protection !		Carburant (essence)
	Portez des bottes de sécurité équipées de semelles antidérapantes.		Démarrage manuel du moteur
	Respectez une distance d'au moins 15 m (50 pi.) entre l'appareil et les spectateurs et/ou les fils électriques (y compris les branches susceptibles d'entrer en contact avec l'outil). Risque de choc électrique et/ou de blessure corporelle.		Premiers secours
	Ne tenez jamais l'élagueuse à perche selon un angle supérieur à 60°.		SOUS TENSION/DÉMARRAGE
	Vitesse de la chaîne.	○	HORS TENSION/ARRÊT
	Interdit !		Arrêt d'urgence
	Ne fumez pas !		

## Instructions générales

- Pour une utilisation correcte, lisez ce mode d'emploi afin de vous familiariser avec le fonctionnement de l'appareil. Sans ces informations, vous risquez de vous mettre en danger ou de blesser d'autres personnes à cause d'une utilisation incorrecte.
- Il est recommandé de prêter l'appareil uniquement aux personnes ayant déjà utilisé ce type d'appareil.  
Transmettez-leur toujours ce mode d'emploi.
- Les personnes utilisant l'outil pour la première fois doivent demander au revendeur de leur fournir des instructions de base afin de se familiariser avec le maniement d'une élagueuse thermique.
- Les enfants et jeunes gens âgés de moins de 18 ans ne doivent pas utiliser cet appareil. Toutefois, les personnes âgées de plus de 16 ans peuvent utiliser l'appareil à des fins de formation uniquement sous la supervision d'un formateur qualifié.
- Utilisez l'appareil avec la plus grande prudence et vigilance.
- Faites fonctionner l'appareil uniquement si vous êtes en bonne forme physique. Effectuez tout le travail avec calme et prudence. Vous êtes responsable des autres personnes.
- N'utilisez jamais l'appareil après avoir consommé de l'alcool ou de la drogue, ou bien si vous vous sentez fatigué ou malade.
- N'essayez jamais de modifier l'appareil.
- Les réglementations nationales peuvent restreindre l'utilisation de l'appareil. Respectez les réglementations de votre pays relatives au maniement des élagueuses à perche et des tronçonneuses.

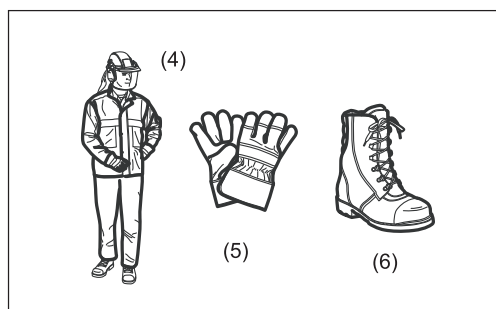
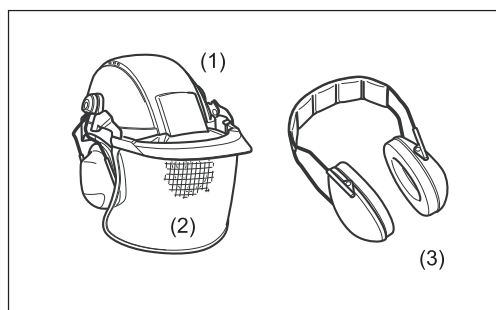


## Utilisation prévue de l'appareil

Cet appareil est destiné uniquement à tailler des petites branches et des branches maîtresses de moins de 15 cm de diamètre. N'utilisez jamais l'appareil à d'autres fins. L'utilisation inappropriée de l'appareil peut provoquer des blessures graves.

## Équipement de protection individuelle

- Les vêtements que vous portez doivent être fonctionnels et adaptés, c'est-à-dire qu'ils doivent être ajustés, sans pour autant gêner vos mouvements. Ne portez pas de bijoux ou de vêtements qui pourraient s'emmêler dans les taillis ou les petits arbustes.
- L'équipement de protection suivant ainsi que les vêtements de protection doivent être utilisés afin d'éviter des blessures au pied, à la main, aux yeux et à la tête ainsi que pour protéger votre ouïe durant l'utilisation.
- Portez toujours un casque en cas de risque de chute d'objets. Le casque de protection (1) doit être vérifié régulièrement pour parer à d'éventuels dommages et il doit être remplacé au plus tard tous les 5 ans. N'utilisez que des casques de protection agréés.
- La visière (2) du casque (ou alternativement les lunettes) protège le visage des débris et des pierres qui volent. Pendant l'utilisation, portez toujours des lunettes de protection ou une visière pour éviter toute blessure aux yeux.
- Portez un équipement de protection antibruit adéquat afin d'éviter toute perte auditive (coquilles antibruit (3), bouchons d'oreille etc.).
- Les combinaisons de travail (4) protègent contre les pierres et débris qui volent.  
Il est fortement recommandé de porter une combinaison de travail.
- Les gants spéciaux (5) en cuir épais font partie de l'équipement prescrit et doivent toujours être portés lors de l'utilisation de l'appareil.
- Lorsque vous utilisez l'appareil, portez toujours des chaussures de sécurité (6) dotées d'une semelle antidérapante. Elles vous protègent d'éventuelles blessures et vous garantissent une bonne stabilité.
- Lors de la manipulation de la chaîne ou du réglage de la tension de la chaîne, portez des gants de protection. Vous risqueriez de vous couper grièvement les mains.



## Sécurité de la zone de travail

- **⚠ Danger** : Éloignez d'au moins 15 m l'élagueuse à perche des fils électriques et des câbles de communication (y compris des branches susceptibles d'entrer en contact avec ceux-ci). Le contact ou la proximité de lignes haute tension avec l'élagueuse à perche peut entraîner la mort ou des blessures graves. Avant de commencer à utiliser l'appareil, recherchez les lignes et clôtures électriques situées autour de la zone de travail.
- N'utilisez l'élagueuse à perche que lorsque les conditions de visibilité et de luminosité sont bonnes. N'utilisez pas l'élagueuse à perche dans l'obscurité ou en cas de brouillard.
- Ne démarrez le moteur et n'utilisez l'appareil qu'en extérieur dans une zone bien ventilée. L'utilisation de l'appareil dans une zone confinée ou mal ventilée peut entraîner la mort par suffocation ou l'empoisonnement au monoxyde de carbone.
- Lors du fonctionnement de l'outil, ne vous tenez jamais sur une surface instable ou glissante ou sur une pente abrupte. En hiver, méfiez-vous du gel et de la neige et veillez à garder votre équilibre.
- Lors du fonctionnement de l'outil, éloignez les spectateurs et les animaux de l'élagueuse à perche d'au moins 15 m. Arrêtez le moteur dès qu'une personne s'approche.
- Avant l'utilisation, recherchez les éventuels murs, clôtures en fils de fer ou autres objets solides présents dans la zone de travail. Ils risqueraient d'endommager la chaîne.
- **⚠ AVERTISSEMENT** : L'utilisation de ce produit peut entraîner la création de poussière contenant des produits chimiques susceptibles de provoquer des maladies respiratoires ou autres. Parmi ces produits chimiques figurent les composés présents dans les pesticides, les insecticides, les engrais et les herbicides. Les risques liés à l'exposition à ces produits varient suivant la fréquence d'exécution de ce type de travaux. Pour réduire votre exposition à ces produits chimiques : travaillez dans une zone bien ventilée et avec un équipement de sécurité agréé, tel qu'un masque à poussière spécialement conçu pour filtrer les particules microscopiques.

## Mise en marche

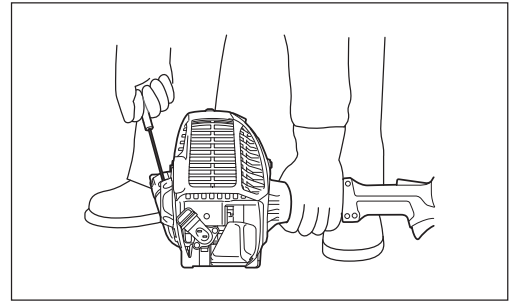
- Avant d'assembler ou de régler l'appareil, éteignez le moteur et retirez le protecteur de bougie.
- Avant de démarrer le moteur, assurez-vous que l'appareil n'est pas endommagé, que les vis et écrous sont bien serrés et que l'assemblage a été effectué correctement. Affûtez la chaîne si elle est émoussée. Si la chaîne est déformée ou endommagée, remplacez-la. Vérifiez que tous les leviers de commande et interrupteurs peuvent être actionnés sans forcer. Nettoyez et séchez les poignées.
- Ne tentez jamais de démarrer le moteur si l'appareil est endommagé ou s'il n'est pas entièrement assemblé. Dans le cas contraire, vous risqueriez de vous blesser grièvement.
- Réglez correctement la tension de la chaîne. Ajoutez de l'huile de chaîne au besoin.

## Démarrage du moteur

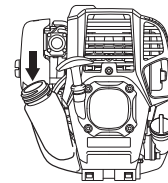
- Assurez-vous qu'aucun enfant ou adulte ne se trouve à proximité et faites attention aux animaux situés dans la zone de travail.
- Avant de démarrer le moteur, enfiler votre équipement de protection corporel.
- Assurez-vous que l'accessoire est bien en place, que le levier de commande peut être actionné aisément et que le levier de verrouillage fonctionne correctement.
- Si la chaîne tourne au ralenti, coupez le moteur et diminuez la vitesse. En cas de doute, demandez à un centre d'entretien agréé de procéder au réglage. Vérifiez que les poignées sont propres et sèches et que l'interrupteur marche/arrêt fonctionne correctement.

Ne démarrez le moteur qu'en conformité avec les instructions.

- Ne démarrez pas le moteur selon une autre méthode !
- Placez l'appareil sur un sol stable. Gardez une bonne position d'équilibre et une bonne stabilité.
- Au moment de tirer sur le bouton de démarreur, maintenez fermement le matériel contre le sol avec votre main gauche. Ne montez jamais sur l'arbre d'entraînement.
- Avant de démarrer le moteur, assurez-vous qu'aucun individu ou animal ne se trouve dans la zone de travail.
- Lorsque vous démarrez le moteur, maintenez la chaîne et le guide-chaîne éloignés de votre corps et de tout objet, y compris du sol. La chaîne pourrait bouger au démarrage et provoquer des blessures graves, être endommagée et/ou endommager d'autres objets.
- En cas de problème avec le moteur, éteignez-le immédiatement.
- Si la chaîne heurte des pierres ou d'autres objets durs, coupez immédiatement le moteur et examinez l'appareil.
- N'utilisez l'appareil qu'avec la bandoulière, que vous devez régler correctement avant de mettre l'appareil en marche. Il est très important de régler la bandoulière selon votre taille, afin d'éviter toute fatigue pendant l'utilisation. Ne tenez jamais l'outil d'une seule main pendant l'utilisation.
- Après avoir réglé la vitesse du moteur au ralenti, fixez les bretelles de sécurité. Pendant l'utilisation, tenez fermement l'appareil sur votre côté droit.
- Vous devez utiliser toutes les installations protectrices et tous les carters fournis avec l'outil durant l'utilisation.
- Ne faites jamais fonctionner le moteur si le pot d'échappement est endommagé.
- Sauf en cas d'urgence, ne laissez jamais tomber l'appareil et ne le jetez pas sur le sol, au risque de l'endommager grièvement.

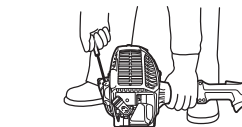
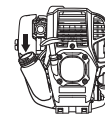


- Au repos
- Transport
- Ravitaillement en carburant
- Entretien
- Remplacement d'outil



### Ravitaillement en carburant

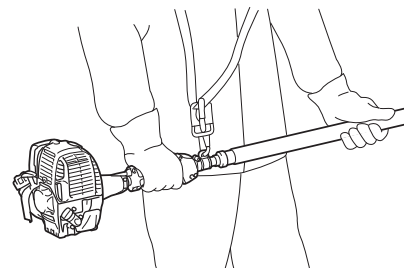
- Lors du ravitaillement en carburant, coupez le moteur, éloignez-le des flammes nues et ne fumez pas.
- Évitez tout contact entre la peau et l'essence. Ne respirez pas les vapeurs de carburant. Portez toujours des gants de protection pendant le ravitaillement en carburant. Changez et nettoyez régulièrement les vêtements de protection.
- Veillez à ne pas renverser de carburant ou d'huile, afin d'éviter toute contamination du sol (protection environnementale). Nettoyez immédiatement l'appareil en cas d'écoulement de carburant.
- Évitez tout contact entre vos vêtements et le carburant. Si vous renversez du carburant sur vos vêtements, changez-en immédiatement (pour éviter que vos vêtements ne prennent feu).
- Vérifiez régulièrement le bouchon du réservoir de carburant pour vous assurer qu'il est bien fermé et ne fuit pas.
- Serrez soigneusement le bouchon du réservoir de carburant. Déplacez-vous avant de démarrer le moteur (à au moins 3 mètres de l'endroit où vous avez fait le plein).
- Ne faites jamais le plein dans une pièce confinée. Les vapeurs d'essence s'accumulent au niveau du sol (risque d'explosions).
- Transportez et stockez le carburant uniquement dans des récipients agréés. Assurez-vous que les enfants ne peuvent pas accéder au carburant.



3 mètres

### Mode d'emploi

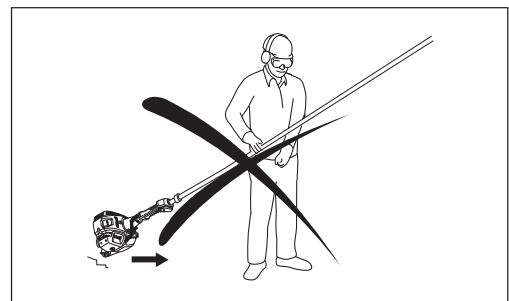
- En cas d'urgence, coupez immédiatement le moteur.
- En cas de situation anormale (par exemple du bruit, des vibrations) pendant le fonctionnement, éteignez le moteur. N'utilisez pas l'appareil avant d'avoir déterminé et corrigé la cause du problème.
- Lorsque vous relâchez la commande d'accélérateur, la chaîne continue à tourner quelques instants. Ne touchez pas immédiatement la chaîne.
- Tenez la poignée avant avec la main gauche et la poignée arrière avec la main droite, que vous soyez droitier ou gaucher. Enserrez les poignées avec vos doigts et votre pouce.
- Ne tentez jamais d'utiliser l'appareil avec une seule main. Une perte de contrôle peut entraîner des blessures graves ou mortelles. Pour réduire les risques de blessures, éloignez vos mains et vos pieds des lames.
- Maintenez une bonne position. Gardez une bonne prise au sol et d'une bonne position d'équilibre à tout moment.
- Pour éviter de trébucher, prenez garde aux obstacles cachés, tels que les souches d'arbres, les racines et les fossés. Retirez les branches et autres objets au sol.
- En cas de chute ou d'impact de l'appareil, vérifiez qu'il est en bon état avant de poursuivre le travail. Vérifiez qu'il n'y a pas de fuite de carburant dans le circuit d'alimentation et que les commandes et dispositifs de sécurité fonctionnent correctement. En cas de dommage ou de doute, demandez à un centre d'entretien agréé Makita d'examiner et de réparer l'outil.
- Ne touchez pas le carter d'engrenage. Le carter d'engrenage devient chaud lors du fonctionnement.



- Lorsque vous vous éloignez de l'appareil, même pendant un court instant, coupez toujours le moteur. Ne laissez pas l'appareil sans surveillance avec le moteur allumé car il pourrait être utilisé par des personnes non autorisées et causer des accidents graves.
- Respectez l'environnement. Pour réduire la pollution et les émissions sonores, évitez tout fonctionnement inutile du papillon des gaz. Réglez correctement le carburateur.
- Pendant ou après l'utilisation, ne posez pas l'appareil chaud sur de l'herbe sèche ou sur des matériaux combustibles.
- Ne placez pas votre main droite au-dessus de la hauteur des épaules.
- Pendant l'utilisation, ne heurtez jamais la chaîne contre des obstacles durs, tels que des pierres et des clous. Soyez particulièrement vigilant(e) lors de l'élagage de branches situées près de murs, de clôtures en fils de fer ou similaires.
- Si des branches sont happées par la chaîne, coupez toujours le moteur et retirez le protecteur de bougie. Dans le cas contraire, un démarrage accidentel pourrait provoquer de graves blessures.
- Si la chaîne est encombrée, coupez toujours le moteur et retirez le protecteur de bougie avant de procéder au nettoyage.
- Si vous accélérez alors que la chaîne est bloquée, vous augmentez la charge et endommagez le moteur et/ou l'embrayage.
- Avant de couper des branches maîtresses, prévoyez une zone de repli éloignée du point de chute des branches. Commencez par retirer les obstacles, tels que les branches maîtresses et autres branches, de la zone de travail. Éloignez tous les outils et objets de la zone de repli dans une autre zone sûre.
- Avant de couper des branches et des branches maîtresses, vérifiez le sens de leur chute en prenant en compte l'état des branches et des branches maîtresses, les arbres voisins, le sens du vent, etc. Soyez très attentif/attentive quant au sens de la chute, ainsi qu'au rebond de la branche qui heurte le sol.
- Ne tenez jamais l'élagueuse à perche selon un angle supérieur à 60°. En tombant, les objets pourraient vous heurter et vous blesser grièvement. Ne vous tenez jamais sous la branche qui va être coupée.
- Méfiez-vous des branches cassées ou pliées. Elles pourraient rebondir lors de la coupe et provoquer des blessures soudaines.
- Avant de couper des branches maîtresses, retirez les autres branches et les feuilles qui se trouvent autour de celle-ci. Dans le cas contraire, elles pourraient happer la chaîne.
- Pour éviter que la chaîne se coince dans le trait d'abattage, ne relâchez pas le levier d'accélérateur avant d'avoir retiré la chaîne du trait d'abattage.
- Si la chaîne est coincée dans le trait d'abattage, coupez immédiatement le moteur, déplacez la branche avec précaution pour ouvrir le trait d'abattage et dégagez la chaîne.
- Évitez tout rebond (force réactive rotative vers l'utilisateur). Pour éviter les rebonds, n'utilisez jamais le nez du guide-chaîne et n'effectuez pas de coupe pénétrante. Restez toujours vigilant(e) quant à la position du nez du guide-chaîne.
- Vérifiez fréquemment la tension de la chaîne. Lorsque vous vérifiez ou réglez la tension de la chaîne, arrêtez le moteur et retirez le protecteur de bougie. Si la chaîne est détendue, tendez-la.
- Faites fonctionner l'appareil en émettant le moins de bruit et de contamination possible. Vérifiez notamment le bon réglage du carburateur.
- N'utilisez jamais l'appareil lorsque vous vous trouvez sur une échelle.
- Ne montez jamais dans un arbre pour procéder à la coupe.
- Avant de procéder à l'élagage, attendez que la chaîne ait atteint sa pleine vitesse de fonctionnement.
- Reposez-vous pour éviter toute perte de contrôle due à la fatigue. Il est recommandé de faire une pause de 10 à 20 minutes toutes les heures.

## Transport

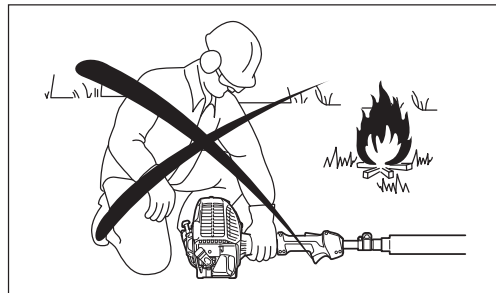
- Avant de transporter l'appareil, éteignez le moteur et retirez le protecteur de bougie.
- Installez toujours le couvercle du guide-chaîne pendant le transport.
- Utilisez toujours la protection de l'outil incluse avec l'appareil.
- Transportez-le en position horizontale en tenant l'arbre. Gardez le pot d'échappement chaud éloigné de votre corps.
- Lorsque vous transportez l'appareil dans un véhicule, fixez-le correctement pour éviter qu'il se retourne. Dans le cas contraire, le carburant pourrait se répandre et endommager l'appareil et d'autres bagages.
- Éteignez le moteur pendant le transport.
- Assurez-vous que le réservoir de carburant est complètement vide.
- Lorsque vous déchargez l'appareil du coffre, ne laissez jamais tomber le moteur au sol, car cela risquerait d'endommager le réservoir de carburant.
- Veillez à soulever l'ensemble du matériel du sol lorsque vous le déplacez. Il est très dangereux de traîner le réservoir de carburant : cela risque de créer des fuites de carburant, voire un incendie.





## Instructions d'entretien

- Faites entretenir votre matériel par notre centre d'entretien agréé, en utilisant toujours des pièces de rechange d'origine. Des réparations incorrectes et un mauvais entretien peuvent raccourcir la durée de vie du matériel et augmenter le risque d'accident.
- Avant de procéder aux tâches d'entretien ou de réparation ou bien avant de nettoyer l'appareil, coupez toujours le moteur et retirez le protecteur de bougie. Attendez que le moteur soit froid.
- Pour réduire les risques d'incendie, ne procédez jamais à l'entretien de l'appareil et n'entreposez jamais celui-ci à proximité d'un feu.
- Portez toujours des gants de protection lorsque vous manipulez la chaîne.
- Débarrassez toujours l'appareil de la poussière et de la saleté. Pour ce faire, n'utilisez jamais d'essence, de benzine, de diluant, d'alcool ou de produit similaire. Il pourrait s'ensuivre une décoloration, une déformation ou des fissures des composants en plastique.
- Après chaque utilisation, serrez toutes les vis et tous les écrous, à l'exception des vis de réglage.
- Veillez à ce que la chaîne soit toujours affûtée. Si la chaîne est émoussée et les performances de coupe mauvaises, demandez à un centre d'entretien agréé Makita de l'affûter ou de la remplacer par une chaîne neuve.
- N'essayez pas d'effectuer un entretien ou une réparation non décrit(e) dans ce mode d'emploi. Demandez à un centre d'entretien agréé Makita d'effectuer ce type de tâche.
- Nettoyez régulièrement l'appareil et vérifiez que l'ensemble des vis et des écrous est bien serré.
- Rangez toujours l'appareil dans une pièce fermée, après avoir vidé le réservoir de carburant.



## Entreposage

- Avant d'entreposer l'appareil, procédez à son nettoyage et son entretien complets. Installez le couvercle du guide-chaîne. Retirez le protecteur de bougie. Purgez le carburant et l'huile de chaîne lorsque le moteur est froid.
- Rangez l'appareil dans un endroit sec et en hauteur ou sous verrou, hors de portée des enfants.
- N'appuyez pas l'appareil contre un support, tel qu'un mur. Il risquerait de tomber subitement et de provoquer des blessures.

Respectez les instructions de prévention des accidents publiées par les associations professionnelles concernées et les compagnies d'assurance.

N'effectuez aucune modification sur l'appareil, au risque de mettre votre sécurité en danger.

L'exécution de l'entretien ou des réparations par l'utilisateur se limite aux activités décrites dans le mode d'emploi. Toute autre tâche doit être réalisée par un centre d'entretien agréé. N'utilisez que des pièces de rechange et des accessoires d'origine fournis par MAKITA.

L'utilisation d'accessoires ou d'outils non agréés augmente les risques d'accident.

MAKITA n'acceptera aucune responsabilité en cas d'accident ou de dommages liés à l'utilisation d'accessoires et de dispositifs de fixation d'accessoires non agréés.

## Premiers secours

En cas d'accident, assurez-vous qu'une mallette de premier secours se trouve à proximité du lieu où sont réalisées les opérations de coupe. Remplacez immédiatement tout article pris dans la mallette de premier secours.

## Lorsque vous demandez de l'aide, veuillez fournir les renseignements suivants :

- Lieu de l'accident
- Ce qui s'est passé
- Nombre de personnes blessées
- Types de blessures
- Votre nom



## Vibrations

- Les personnes souffrant de troubles circulatoires peuvent subir des blessures au niveau des vaisseaux sanguins ou du système nerveux si elles sont exposées à des vibrations excessives. Les vibrations peuvent entraîner les symptômes suivants aux doigts, aux mains ou aux poignets : engourdissement, picotements, douleur, sensation lancinante, changement de couleur de la peau ou altération de la peau. Si l'un ou l'autre de ces symptômes apparaît, consultez un médecin !
- Pour réduire le risque de « maladie des doigts blancs », gardez vos mains au chaud lors de l'utilisation et entretenez bien le matériel et les accessoires.

---

## DÉCLARATION DE CONFORMITÉ CE

**Nous, Makita Corporation, en tant que fabricant responsable, déclarons que la ou les machines Makita suivantes :**

Nom de la machine : Élagueuse thermique à perche télescopique

N° de modèle/Type : EY2650H

Spécifications : reportez-vous au tableau « CARACTÉRISTIQUES TECHNIQUES »

sont fabriquées en série et

**sont conformes aux directives européennes suivantes :**

2006/42/CE

et sont produites conformément aux normes ou documents de normalisation suivants :

EN/ISO11680

La documentation technique est disponible auprès de :

Makita International Europe Ltd., Technical Department,

Michigan Drive, Tongwell, Milton Keynes, Bucks MK15 8JD, Angleterre

Le numéro du certificat d'inspection de type CE pour les élagueuses à perche est :

4813008.13001

L'inspection de type CE pour la norme 2006/42/CE a été réalisée par :

DEKRA Testing and Certification GmbH Enderstraße 92b 01277 Dresden, Allemagne

N° d'identification 2140

31. 10. 2013



Tomoyasu Kato

Directeur

Makita Corporation

3-11-8, Sumiyoshi-cho,

Anjo, Aichi, 446-8502, JAPAN

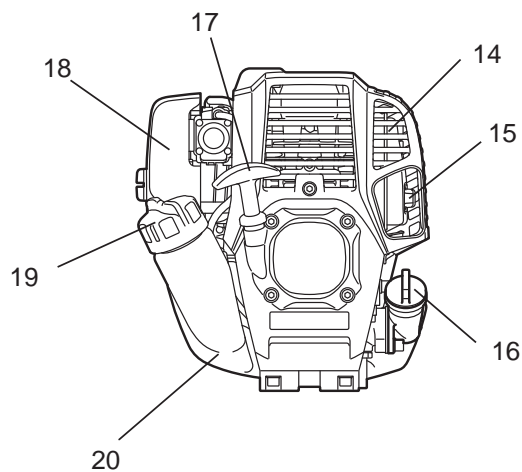
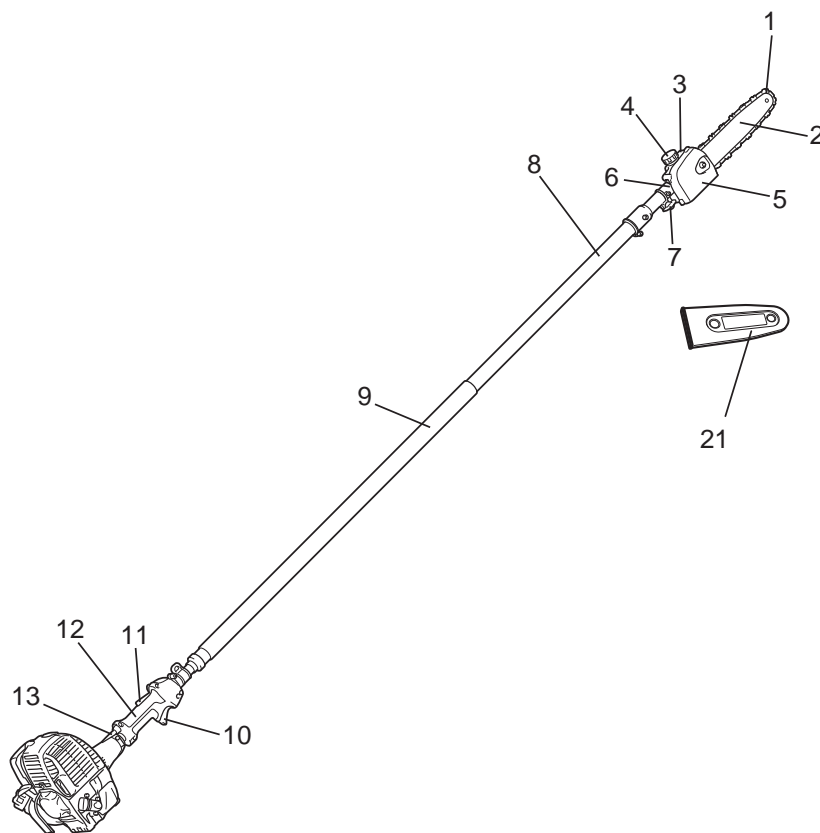
## CARACTÉRISTIQUES TECHNIQUES

Modèle		EY2650H		
Dimensions : L x P x H	mm	2 720 - 3 920 x 223 x 240		
Poids	kg	7,2		
Volume du réservoir de carburant	cm <sup>3</sup>	600		
Volume du réservoir d'huile de chaîne	cm <sup>3</sup>	120		
Déplacement du moteur	cm <sup>3</sup>	25,4		
Vitesse max. de la chaîne	m/s	21,0		
Performances maximales du moteur		0,77 kW à 7 000 min <sup>-1</sup>		
Vitesse du moteur à la vitesse max. recommandée de l'axe	min <sup>-1</sup>	10 000		
Ralenti	min <sup>-1</sup>	3 000		
Vitesse d'engagement de l'embrayage	min <sup>-1</sup>	4 400		
Carburateur		Type de diaphragme		
Bougie d'allumage	Type	NGK CMR4A		
Distance entre les électrodes	mm	0,7 - 0,8		
Carburant		Essence automobile		
Huile moteur		Huile de classe API, classe SF ou supérieure ou huile SAE 10W-30 (huile moteur 4 temps pour automobile)		
Longueur de coupe	mm	255		
Longueur du guide-chaîne	mm (pouces)	255 (10")		
Chaîne		91VXL-39E		
Pas de chaîne	pouce	3/8"		
Jauge de chaîne	mm (pouces)	1,3 (0,05")		
Nombre de dents sur la roue de chaîne		7		
Huile de chaîne		Huile de chaîne Makita d'origine		
Pompe à huile de chaîne		Pompe de plongeur (de type autolubrifiante)		
Vibrations conformément à la norme ISO 22867	Poignée droite (poignée arrière)	a <sub>hv eq</sub> (arbre en position la plus courte)	m/s <sup>2</sup>	5,3
		a <sub>hv eq</sub> (arbre en position la plus longue)	m/s <sup>2</sup>	6,1
		Incertitude K	m/s <sup>2</sup>	2,0
	Poignée gauche (poignée avant)	a <sub>hv eq</sub> (arbre en position la plus courte)	m/s <sup>2</sup>	7,2
		a <sub>hv eq</sub> (arbre en position la plus longue)	m/s <sup>2</sup>	8,6
		Incertitude K	m/s <sup>2</sup>	2,0
Moyenne du niveau de pression sonore conformément à la norme ISO 22868	L <sub>PA eq</sub>	dBA	89,5	
	Incertitude K	dBA	2,5	
Moyenne du niveau de puissance sonore conformément à la norme ISO 22868	L <sub>WA eq</sub>	dBA	107,3	
	Incertitude K	dBA	2,5	

- Étant donné l'évolution constante de notre programme de recherche et de développement, les spécifications contenues dans ce manuel sont sujettes à des modifications sans préavis.
- Les spécifications peuvent varier suivant les pays.

# NOMENCLATURE DES PIÈCES

EY2650H



F	NOMENCLATURE DES PIÈCES
1	Chaîne
2	Guide-chaîne
3	Réservoir d'huile
4	Bouchon du réservoir d'huile
5	Support de chaîne
6	Carter d'engrenage
7	Bouton
8	Arbre télescopique
9	Poignée avant
10	Levier d'accélérateur
11	Levier de verrouillage
12	Poignée arrière
13	Câble de contrôle
14	Pot d'échappement
15	Tuyau d'échappement
16	Bouchon d'huile
17	Bouton de démarreur
18	Filtre à air
19	Bouchon du réservoir de carburant
20	Réservoir de carburant
21	Couvercle du guide-chaîne

## ASSEMBLAGE ET RÉGLAGE

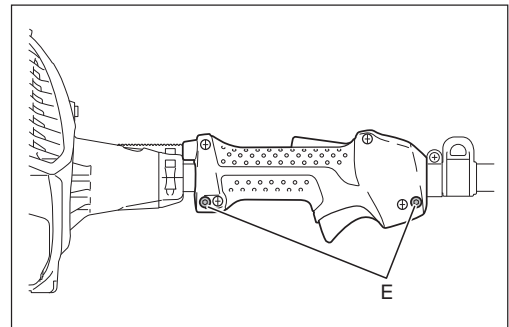
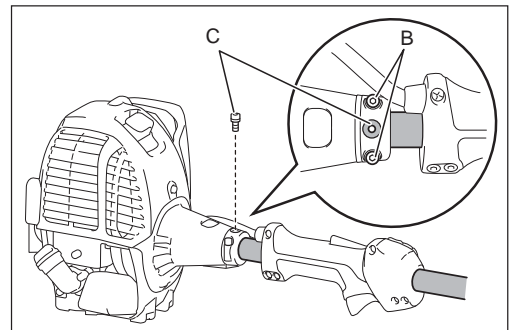
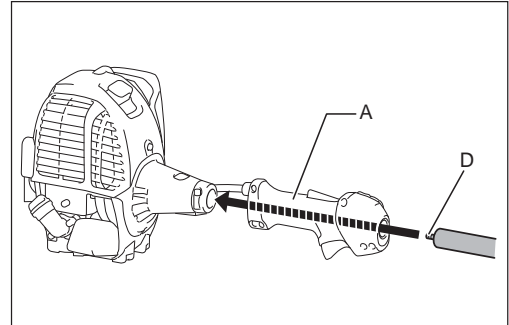
### AVERTISSEMENT :

- Avant d'assembler, de régler ou de vérifier l'appareil, éteignez le moteur et retirez le protecteur de bougie.
- Portez toujours des gants de protection lorsque vous manipulez la chaîne.
- Attendez que la chaîne refroidisse avant de procéder au montage, au réglage ou à la vérification. La chaîne devient très chaude pendant son fonctionnement et peut provoquer des brûlures.

### Assemblage de l'arbre et du carter d'embrayage

Assemblez l'arbre avec la poignée arrière et le bloc-moteur comme suit :

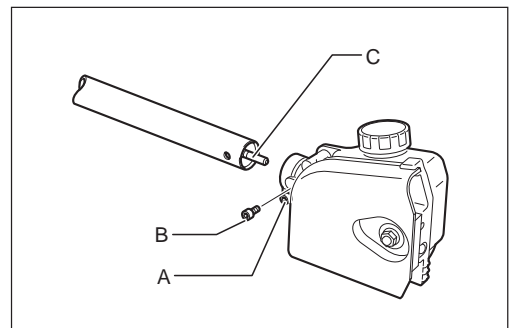
1. Insérez l'arbre dans la poignée arrière (**A**).
2. Desserrez deux boulons de fixation (**B**) et retirez le boulon central (**C**) sur le carter d'embrayage.
3. Insérez l'arbre dans le carter d'embrayage. Si vous ne parvenez pas à l'insérer à fond, tournez légèrement l'ergot (**D**).
4. Alignez l'orifice situé sur l'arbre avec l'orifice du boulon central.
5. Serrez le boulon central.
6. Serrez les deux boulons de fixation de manière égale.
7. Réglez la position de la poignée arrière, puis serrez-la à l'aide de deux boulons (**E**).



### Assemblage de l'arbre et du carter d'engrenage

Pour assembler l'arbre au carter d'engrenage, procédez comme suit :

1. Desserrez le boulon (**A**). Et retirez le boulon (**B**).
2. Insérez l'arbre dans le carter d'engrenage. Si vous ne parvenez pas à l'insérer à fond, tournez légèrement l'ergot (**C**).
3. Alignez l'orifice situé sur l'arbre avec l'orifice du boulon (**B**).
4. Commencez par serrer le boulon (**B**), puis le boulon (**A**).



## Assemblage de la chaîne et du guide-chaîne

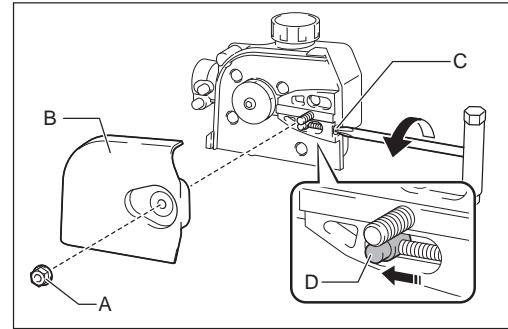
**ATTENTION :** Assurez-vous que la chaîne, le guide-chaîne et la roue de chaîne s'insèrent ensemble dans la jauge et le pas.

Pour assembler la chaîne et le guide-chaîne, procédez comme suit :

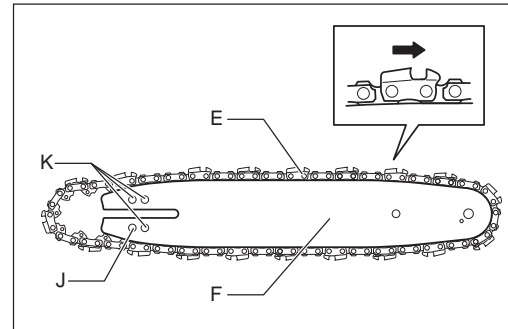
1. Desserrez l'écrou (A) et retirez le support de chaîne (B).
2. Tournez la vis de tension (C) dans le sens inverse des aiguilles d'une montre jusqu'à ce que l'écrou de tension (D) touche l'extrémité gauche.

**NOTE :**

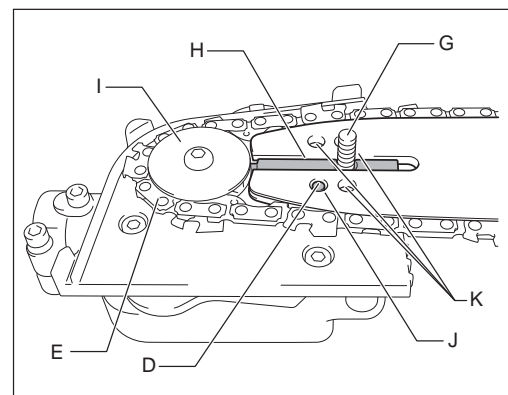
- Ne tournez pas excessivement la vis de tension dans le sens inverse des aiguilles d'une montre, au risque de faire sortir la vis de tension et l'écrou de tension du boîtier.



3. Installez la chaîne (E) dans la rainure du guide-chaîne (F). Commencez la procédure au niveau du nez du guide-chaîne.



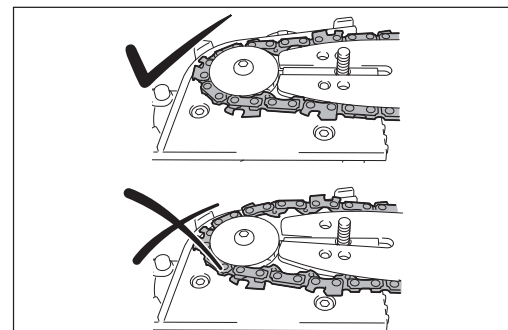
4. Alignez le boulon de positionnement (G) sur l'encoche du guide-chaîne (H), puis installez la chaîne (E) sur la roue de chaîne (I). Assurez-vous que la chaîne s'installe bien sur le guide-chaîne pendant la procédure.
5. Installez le guide-chaîne (F), de sorte que l'écrou de tension (D) s'insère dans l'orifice (J) du guide-chaîne. Les orifices (K) ne sont pas utilisés.



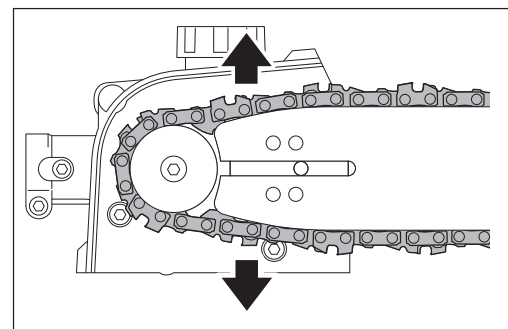
6. Placez correctement la chaîne dans la rainure du guide-chaîne. Si vous ne placez pas correctement la chaîne dans la rainure du guide-chaîne à ce stade, réglez-la et installez-la correctement.
7. Installez le support de chaîne (B) et serrez à fond l'écrou (A). Desserrez ensuite l'écrou d'un demi-tour en prévision du réglage de la tension de la chaîne.
8. Réglez la tension de la chaîne. Reportez-vous à la section « Réglage de la tension de la chaîne ».

**ATTENTION :**

- Veillez à ce que la tension de la chaîne soit toujours celle recommandée. Une chaîne mal tendue risque de dérailler.



Pour retirer la chaîne et le guide-chaîne, commencez par tourner la vis de tension (C) dans le sens inverse des aiguilles d'une montre. Tirez la chaîne vers l'extérieur pour permettre à la chaîne de sortir de la rainure du guide-chaîne, puis retirez l'ensemble du boîtier.



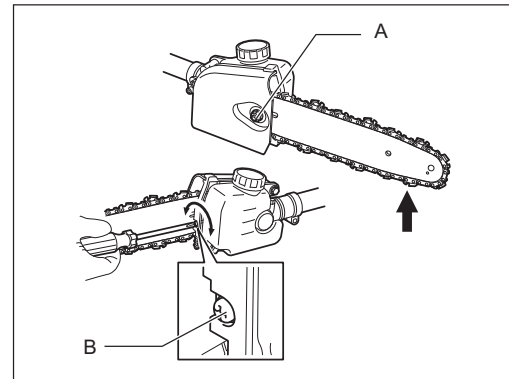
## Réglage de la tension de la chaîne

### ATTENTION :

- Veillez à ce que la tension de la chaîne soit toujours celle recommandée. Une chaîne détendue peut se défaire pendant le fonctionnement. Une chaîne trop tendue peut être endommagée ou endommager le guide-chaîne.
- Vérifiez fréquemment la tension de la chaîne pendant le fonctionnement. Pendant le fonctionnement, la chaîne est étirée et se détend. Lorsque vous utilisez une chaîne neuve, réglez plus fréquemment la tension.

Pour régler la tension de la chaîne, procédez comme suit :

1. Desserrez l'écrou **(A)** d'un demi-tour.
2. Placez le nez du guide-chaîne vers le haut. Tournez la vis de serrage **(B)** dans le sens horaire jusqu'à ce que la chaîne s'insère parfaitement dans la partie inférieure du guide-chaîne.
3. Saisissez la chaîne au milieu du guide-chaîne et soulevez-la. Il doit y avoir un jeu de 3 à 4 mm (de 0,118 à 0,157") entre le guide-chaîne et la courroie d'attache de la chaîne. Si le jeu est différent, tournez légèrement la vis de serrage dans le sens anti-horaire et exécutez à nouveau l'étape 2.
4. Serrez à fond l'écrou **(A)**.
5. Au besoin, serrez légèrement la vis de serrage pour éviter qu'elle tombe.



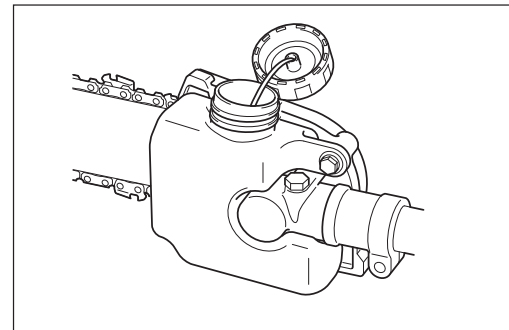
## Remplissage du réservoir d'huile de chaîne

La chaîne doit être graissée à l'aide d'huile de chaîne pendant l'utilisation. Avant utilisation, remplissez le réservoir d'huile de chaîne. Après avoir versé l'huile, serrez à fond le bouchon du réservoir d'huile. Utilisez uniquement de l'huile de chaîne Makita d'origine.

### NOTE :

- N'utilisez jamais d'huile usagée. Vous risqueriez d'endommager la pompe à huile.
- Évitez les environnements poussiéreux lors du remplissage de l'huile de chaîne. La poussière et les autres corps étrangers risquent d'endommager le système d'alimentation en huile.

Pendant l'utilisation, vérifiez constamment le niveau d'huile. Remplissez le réservoir si le niveau d'huile est bas. Le réservoir se vide après 40 minutes d'utilisation environ (selon le réglage du graissage de chaîne).

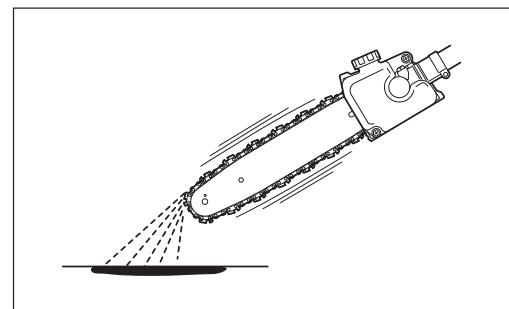
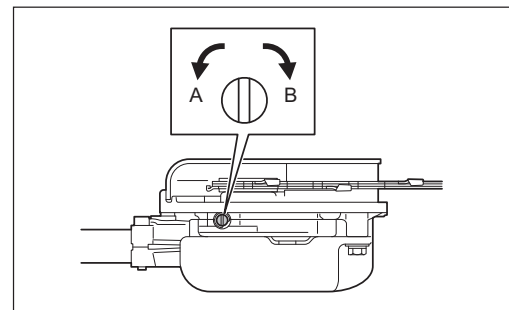


## Réglage du débit d'injection d'huile de chaîne

Le débit d'injection d'huile de chaîne peut être réglé en trois étapes. Selon l'utilisation, par exemple lors de l'élagage de branches maîtresses, réglez le débit d'injection.

Pour régler le débit d'injection d'huile de chaîne, utilisez un tournevis à lame plate. Enfoncez la vis de réglage et tournez-la. Pour augmenter le débit d'injection, tournez la vis de réglage dans le sens antihoraire **(A)**. Pour diminuer le débit d'injection, tournez-la dans le sens horaire **(B)**.

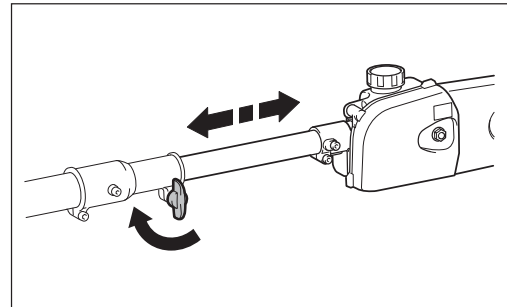
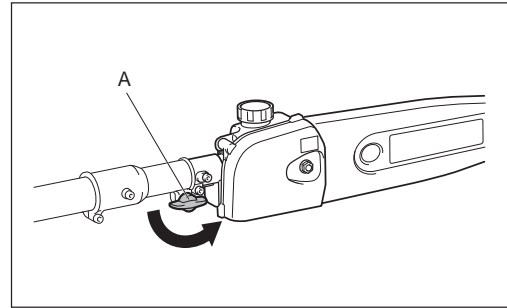
Après avoir réglé le débit d'injection d'huile de chaîne, vérifiez-le en faisant fonctionner l'appareil à vitesse moyenne.



## Réglage de la longueur de l'élagueuse à perche

Pour régler la longueur de l'élagueuse à perche, procédez comme suit :

1. Tournez le bouton **(A)** dans le sens antihoraire.
2. Réglez la longueur de la perche.
3. Tournez le bouton dans le sens horaire pour serrez la tête d'engrenage.



## Bandoulière

### Réglage de la bandoulière

Réglez la bandoulière selon la longueur adaptée pour le travail à effectuer.

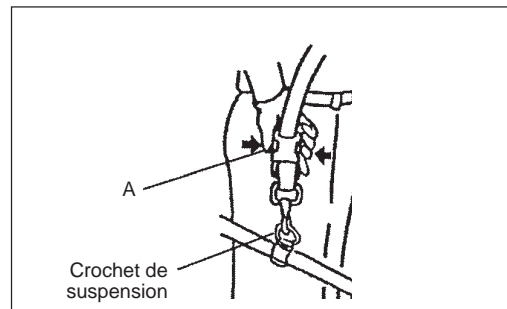
### Retrait

En cas d'urgence, appuyez sur les crans **(A)** de chaque côté et détachez le matériel.

À ce stade, veillez à garder le contrôle de l'appareil. Ne laissez pas l'appareil être dévié vers vous ou vers quelqu'un qui se trouve à proximité.

**AVERTISSEMENT** : Toute perte de contrôle de la machine risque de provoquer des blessures graves ou la MORT.

Remarque : Dans certains pays, la bandoulière ne possède pas cette fonction de retrait.





## Inspection et remplissage de l'huile moteur

- Lorsque le moteur est froid, procédez comme suit.
- Réglez le niveau du moteur, retirez le bouchon d'huile (Fig. 1) et vérifiez l'absence d'huile dans la plage comprise entre les repères des limites supérieure et inférieure du tuyau d'huile (Fig. 2).
- Si la quantité d'huile est insuffisante (le niveau d'huile est proche du repère de limite inférieure) (Fig. 3), remplissez d'huile jusqu'au repère de limite supérieure.
- La zone proche des repères externes est transparente, donc la quantité d'huile à l'intérieur peut être vérifiée sans qu'il soit nécessaire de retirer le bouchon d'huile. Toutefois, si le tuyau d'huile devient extrêmement encrassé, vous risquez d'avoir une mauvaise visibilité et de devoir vérifier le niveau d'huile par rapport à la section décrochée à l'intérieur du tuyau d'huile.
- À titre d'information, la durée de remplissage de l'huile est de 10 heures environ (tous les 10 remplissages).  
Si l'huile change de couleur ou contient de la saleté, remplacez-la. (Pour la fréquence et la méthode de vidange, référez-vous à la page 46)

**Huile recommandée :** Huile SAE 10W-30 de catégorie API, classe SF ou supérieure (moteur 4 temps pour automobile)

**Volume d'huile :** Environ 0,08 L

Remarque : Si le moteur n'est pas maintenu en position verticale, la quantité d'huile versée risque d'être trop importante et de provoquer un débordement à l'intérieur du moteur.

Si l'huile est ajoutée au-delà de la limite, elle risque d'être contaminée ou de déclencher un incendie avec de la fumée blanche.

### Point n°1 lors de la vidange d'huile : « bouchon d'huile »

- Retirez la poussière ou les saletés entourant l'orifice du réservoir d'huile, puis retirez le bouchon d'huile.
- Veillez à ce que le bouchon d'huile n'entre pas en contact avec du sable ou de la poussière. Dans le cas contraire, les impuretés adhérant au bouchon d'huile pourraient empêcher la bonne circulation de l'huile ou abîmer des pièces du moteur, provoquant des problèmes.

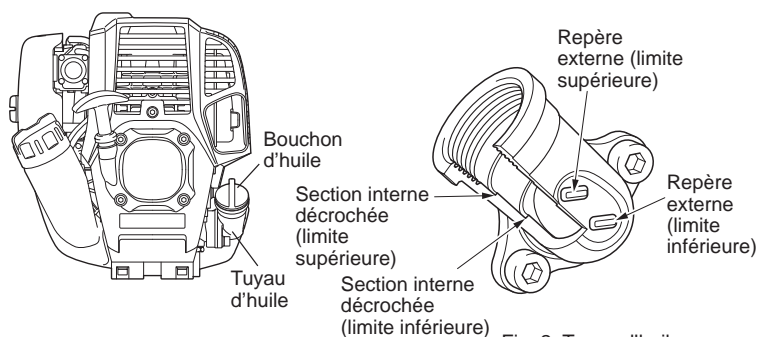


Fig. 1

Fig. 2

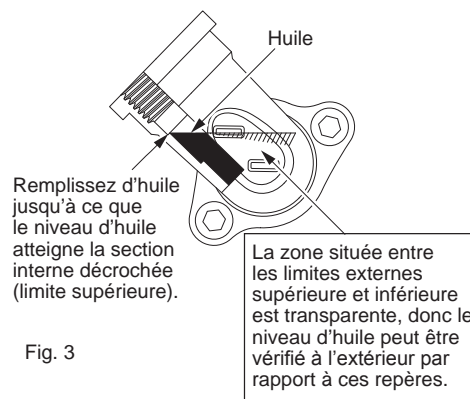
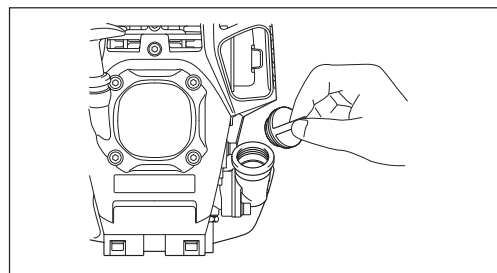
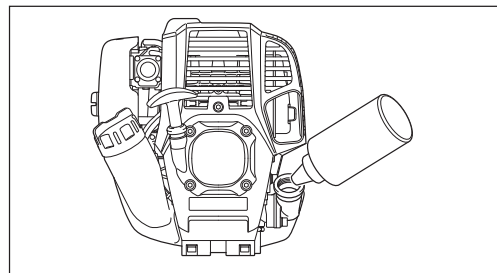


Fig. 3

- (1) Gardez le moteur à plat et enlevez le bouchon d'huile.



- (2) Remplissez d'huile jusqu'au repère de limite supérieure. (voir Fig. 3)  
Utilisez la bouteille d'huile lors du remplissage.



- (3) Serrez à fond le bouchon d'huile. Un vissage insuffisant peut provoquer une fuite d'huile.

### Remarque

- Ne remplacez pas l'huile lorsque le moteur est en position inclinée.
- Si le moteur est incliné lors du remplissage d'huile, le réservoir risque d'être trop rempli et de provoquer la contamination de l'huile et/ou de la fumée blanche.

### Point n°2 lors de la vidange d'huile : « En cas de débordement d'huile »

- Si de l'huile se répand entre le réservoir de carburant et le bloc principal du moteur, elle risque d'être aspirée dans le port d'entrée de l'air de refroidissement, contaminant le moteur. Veillez à nettoyer l'huile qui a débordé avant toute utilisation.

## RAVITAILLEMENT EN CARBURANT

### Manipulation du carburant

Veillez à manipuler le carburant avec la plus grande prudence. Il peut contenir des substances similaires aux solvants. Pour faire le plein, placez-vous dans une pièce suffisamment ventilée ou en extérieur. N'inhalez jamais les vapeurs de carburant et restez à distance du carburant. En cas de contact répété ou prolongé de votre peau avec du carburant, celle-ci peut se dessécher, entraînant des maladies de peau ou des allergies. En cas de contact du carburant avec un œil, rincez celui-ci à l'eau claire. Si votre œil reste irrité, consultez votre médecin. Ne procédez pas au ravitaillement en carburant dans la pénombre ou sur une surface instable.

### Durée de stockage du carburant

Le carburant doit être utilisé dans les 4 semaines, même s'il est conservée dans un bidon spécial dans un endroit ombragé et bien ventilé. Si vous n'utilisez pas de conteneur spécial ou si le conteneur n'est pas fermé, le carburant peut se détériorer en une journée.

### STOCKAGE DE LA MACHINE ET REMPLISSAGE DU RÉSERVOIR

- Conservez la machine et le réservoir dans un endroit frais et abrité des rayons directs du soleil.
- Ne conservez jamais le carburant dans une cabine ou un camion.

## Carburant

Le moteur est un moteur à quatre temps. Veillez à utiliser de l'essence pour automobile (super ou premium).

### Avertissements concernant le carburant

- N'utilisez jamais de mélange de carburant contenant de l'huile moteur. Cela pourrait créer une accumulation excessive de carbone ou des pannes mécaniques.
- L'utilisation d'huile détériorée peut provoquer des démarrages irréguliers du moteur.

### Ravitaillement en carburant

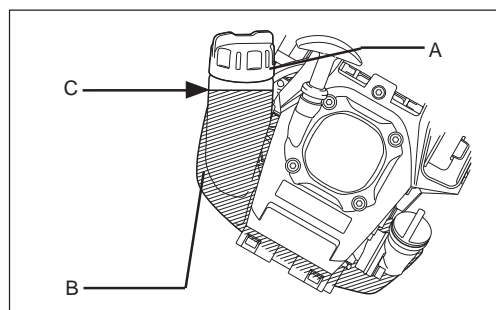
#### AVERTISSEMENT : PRODUITS INFLAMMABLES STRICTEMENT INTERDITS

**ATTENTION** : N'oubliez pas de fermer le bouchon du réservoir de carburant après avoir fait le plein. Ne démarrez jamais le moteur si le bouchon du réservoir de carburant est ouvert.

**Essence utilisée** : Essence pour automobile (super sans plomb)

1. Desserrez légèrement le bouchon du réservoir de carburant **(A)** pour éviter que le carburant déborde.
2. Retirez le bouchon du réservoir de carburant. Inclinez ensuite le moteur afin que le port de remplissage se trouve vers le haut.
3. Procédez ensuite au ravitaillement en évacuant l'air du réservoir de carburant **(B)**. (Ne remplissez pas le réservoir au-delà de la limite supérieure du carburant **(C)**.)
4. Essuyez bien autour du bouchon du réservoir de carburant pour éviter l'introduction de tout corps étranger dans le réservoir de carburant.
5. Après avoir fait le plein, serrez à fond le bouchon du réservoir de carburant.

- En cas de défaut ou de dommages au niveau du bouchon du réservoir, remplacez-le.
- Au fil du temps, le bouchon du réservoir s'use. Remplacez-le tous les deux à trois ans.



## AVERTISSEMENTS CONCERNANT LE FONCTIONNEMENT ET LA PROCÉDURE D'ARRÊT

### ATTENTION :

Respectez les réglementations en vigueur en matière de prévention des accidents !

### NOTE :

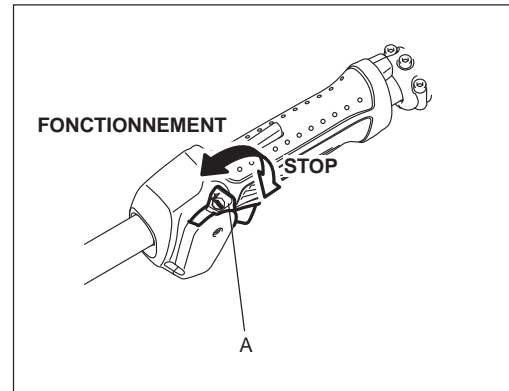
Retirez le couvercle du guide-chaîne avant de démarrer le moteur.

### DÉMARRAGE

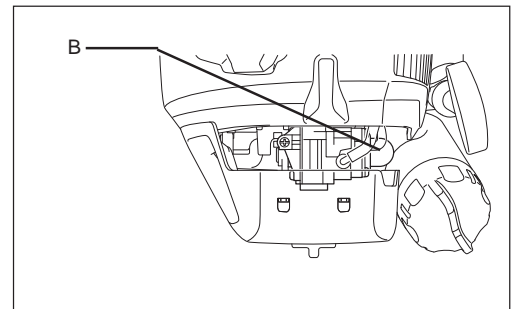
Éloignez-vous d'au moins 3 mètres de l'endroit où vous avez procédé au ravitaillement en carburant. Déposez l'appareil à un endroit propre, en veillant à ce que l'accessoire n'entre pas en contact avec le sol ou tout autre objet.

#### A : démarrage à froid

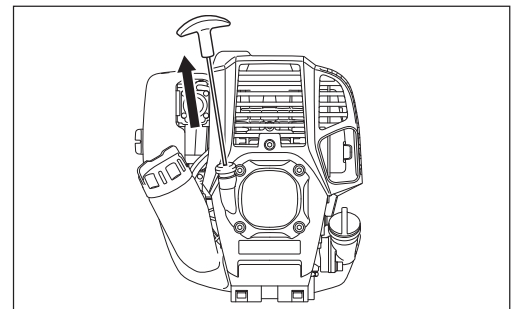
- 1) Déposez la machine sur une surface plane.
- 2) Réglez l'interrupteur I-O (**A**) sur OPERATION (FONCTIONNEMENT).



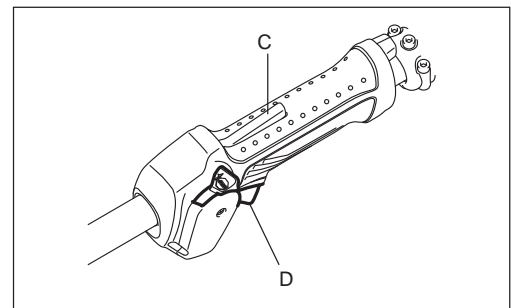
- 3) Pompe d'amorçage  
Continuez à appuyer sur la pompe d'amorçage (**B**) jusqu'à ce que le carburant pénètre à l'intérieur de celle-ci.  
(En général, le carburant pénètre dans la pompe d'amorçage après 7 à 10 pressions.)  
Si vous appuyez trop sur la pompe d'amorçage, un surplus de carburant retourne au réservoir de carburant.



- 4) Démarreur  
Tirez doucement le bouton du démarreur, jusqu'à ce qu'il résiste (point de compression). Ensuite, repoussez le bouton du démarreur, puis tirez-le fortement.  
Ne tirez jamais entièrement la corde. Une fois le bouton du démarreur tiré, n'enlevez jamais votre main immédiatement. Tenez le bouton du démarreur jusqu'à ce qu'il revienne en position initiale.



- 5) La poignée est équipée d'un levier de verrouillage (**C**) pour éviter tout démarrage accidentel. Pour tirer le levier d'accélérateur (**D**), saisissez la poignée afin de la déverrouiller (le bouton de verrouillage est enfoncé manuellement).



- 6) Opération de chauffage  
Continuez à faire chauffer le moteur pendant 2 à 3 minutes.

Remarque : Si vous versez une quantité trop importante de carburant, retirez la bougie et tirez la poignée de démarrage lentement pour retirer l'excès de carburant. Séchez également l'électrode de la bougie.

## Mise en garde durant le fonctionnement :

Si le levier d'accélérateur est complètement ouvert lors d'un fonctionnement à vide, la rotation du moteur augmente à plus de 10 000 min<sup>-1</sup>. Ne faites jamais tourner le moteur à une vitesse plus élevée que nécessaire, ou à une vitesse de 6 000 à 8 500 min<sup>-1</sup> environ.

## B : démarrage après avoir fait chauffer le moteur

- 1) Appuyez plusieurs fois sur la pompe d'amorçage.
- 2) Laissez le levier d'accélérateur en position de ralenti.
- 3) Tirez avec force sur le démarreur.
- 4) Si le moteur est difficile à démarrer, ouvrez les gaz d'environ 1/3.  
Méfiez-vous de l'accessoire, qui risque de tourner.

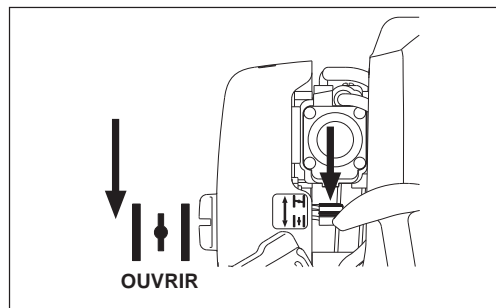
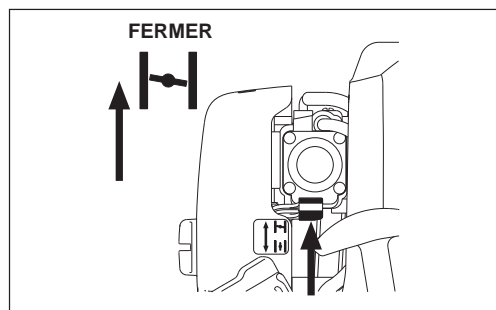
## Parfois, notamment en hiver, lorsque le démarrage du moteur est difficile

Actionnez le levier de l'étrangleur en procédant comme suit au démarrage du moteur.

- Après avoir exécuté les étapes de démarrage 1) à 3), placez le levier de l'étrangleur en position FERMER.
- Exécutez l'étape de démarrage 4) et démarrez le moteur.
- Lorsque le moteur démarre, réglez le levier d'étrangleur en position OPEN (FERMER).
- Exécutez l'étape de démarrage 5) et continuez à chauffer le moteur.

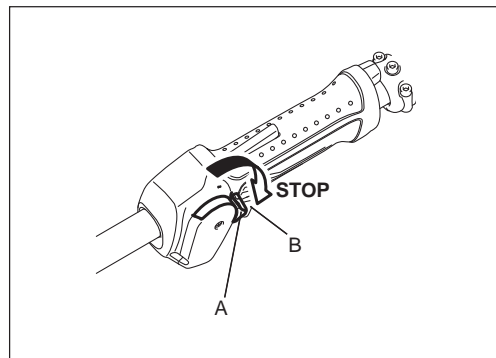
ATTENTION : Si vous entendez un bruit d'explosion et si le moteur s'arrête, ou si le moteur que vous venez de démarrer cale avant que le levier d'étrangleur soit actionné, remplacez le levier d'étrangleur en position OPEN (FERMER), puis tirez plusieurs fois sur le bouton du démarreur pour démarrer le moteur.

ATTENTION : Si vous maintenez le levier d'étrangleur en position CLOSE (OUVRIR) et si vous enfoncez plusieurs fois le bouton du démarreur, une quantité trop importante de carburant sera aspirée et le démarrage du moteur deviendra difficile.



## ARRÊT

- 1) Relâchez entièrement le levier d'accélérateur (**B**) et lorsque la vitesse de rotation du moteur diminue, placez l'interrupteur I-O (**A**) en position STOP pour couper le moteur.
- 2) N'oubliez pas que l'accessoire peut ne pas s'arrêter immédiatement, laissez-le ralentir jusqu'à l'arrêt complet.

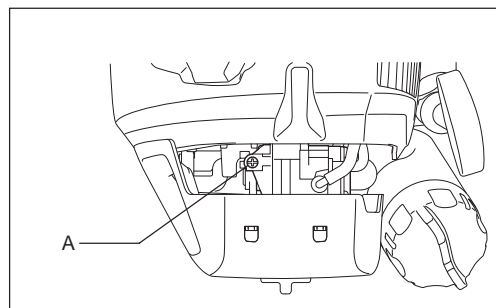


## RÉGLAGE DE LA ROTATION À BAS RÉGIME (RALENTI)

Au besoin, réglez le ralenti à l'aide de la vis de réglage du carburateur (**A**).

## VÉRIFICATION DE LA ROTATION À BAS RÉGIME (RALENTI)

- Réglez la rotation à bas régime sur 3 000 min<sup>-1</sup>.  
Si vous devez modifier la vitesse de rotation, tournez la vis de réglage avec un tournevis à pointe cruciforme.
- Tournez la vis de réglage vers la droite pour augmenter la rotation du moteur. Tournez la vis de réglage vers la gauche, pour diminuer la rotation du moteur.
- Le carburateur est généralement réglé en usine. S'il s'avère nécessaire d'effectuer un nouveau réglage, contactez un centre d'entretien agréé.



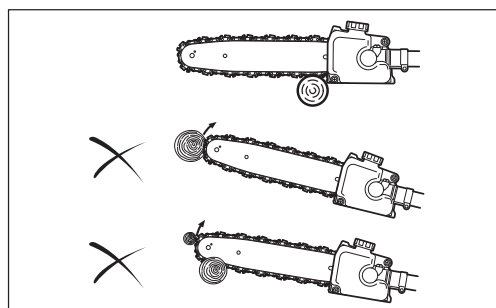
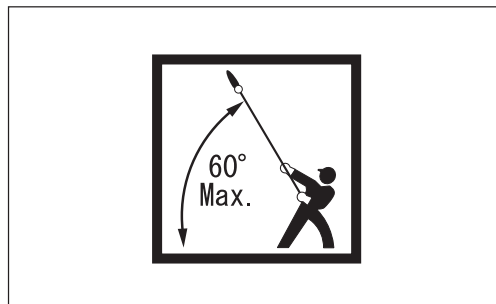
## FONCTIONNEMENT

### Position debout

- Tenez-vous sur une surface stable. Positionnez l'élagueuse à perche selon un angle de 60° par rapport au sol horizontal.
- Commencez par couper les branches inférieures, afin que les branches tombent plus facilement.
- Prévoyez toujours une zone de repli au cas où une branche coupée venait à tomber vers vous.

### Méthode

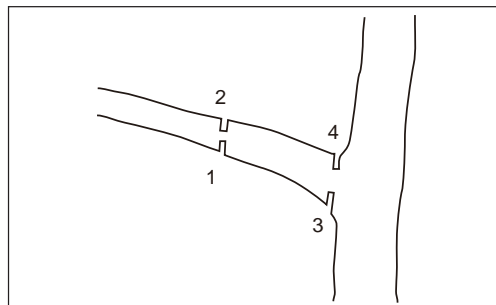
- Démarrez le moteur et accélérez jusqu'à ce que la chaîne atteigne sa pleine vitesse.
- Appuyez légèrement la chaîne sur la branche. Ne forcez pas sur l'appareil, au risque de l'endommager.
- N'utilisez jamais le bout du guide-chaîne pour couper. Cela pourrait provoquer un rebond dangereux et entraîner des blessures corporelles.



### Conseils lors de la coupe de branches épaisses

Lorsque vous coupez une branche épaisse, procédez comme suit.

1. Pratiquez une petite entaille sous la branche à quelques centimètres de l'endroit où vous avez prévu de couper.
2. Coupez la branche depuis le côté supérieur de l'endroit où vous avez effectué l'entaille.
3. Pratiquez une autre petite entaille sous la branche à l'endroit où vous avez prévu de couper.
4. Coupez à l'endroit où vous avez prévu de couper depuis le côté supérieur.



## INSTRUCTIONS D'ENTRETIEN

**ATTENTION :** Avant tout travail sur l'appareil, arrêtez toujours le moteur et débranchez le connecteur des bougies (voir « Vérification de la bougie »).

Portez toujours des gants de protection !

Posez toujours l'appareil pour procéder à son examen ou son entretien. Si vous assemblez ou réglez l'appareil en position verticale, vous risquez d'être grièvement blessé(e).

Lors des opérations d'entretien, placez toujours le couvercle du guide-chaîne.

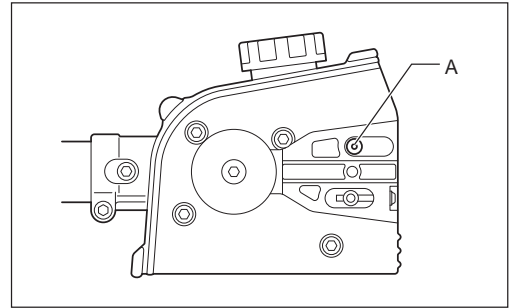
Afin de garantir une longue durée de service de l'appareil et éviter de l'endommager, effectuez régulièrement les opérations d'entretien suivantes.

### Vérification et entretien journaliers

- Avant utilisation, vérifiez qu'il ne manque aucune pièce et que les vis sont bien serrées. Veillez particulièrement à utiliser l'accessoire spécifié pour que le montage s'effectue en toute sécurité.
- Avant d'utiliser l'appareil, vérifiez toujours que le passage de l'air de refroidissement et les ailettes du cylindre ne sont pas obstrués. Nettoyez-les au besoin.
- Après utilisation, procédez aux tâches quotidiennes suivantes :
  - Nettoyez l'extérieur de l'appareil et vérifiez qu'il n'est pas endommagé.
  - Nettoyez le filtre à air. Nettoyez le filtre plusieurs fois par jour lorsque vous travaillez dans des conditions très poussiéreuses.
  - Vérifiez que la différence entre le ralenti et la vitesse d'embrayage est suffisante pour garantir que l'accessoire est à l'arrêt lorsque le moteur tourne au ralenti (au besoin, réduisez la vitesse du ralenti).  
Si, pendant le ralenti, l'outil continue à tourner, contactez votre agent d'entretien agréé le plus proche.
- Vérifiez le fonctionnement de l'interrupteur I-O, du levier de verrouillage et du levier de commande.

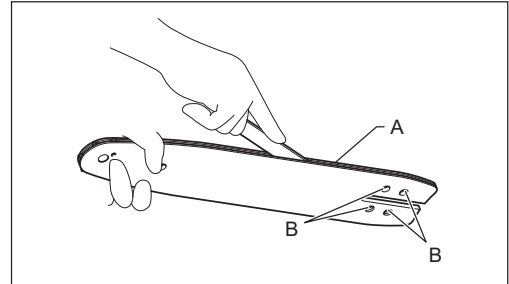
## Nettoyage du port d'alimentation en huile de chaîne

Nettoyez quotidiennement le port d'alimentation en huile de chaîne (A). Pour y accéder, retirez le support de chaîne et le guide-chaîne.



## Nettoyage et examen du guide-chaîne

Nettoyez quotidiennement le guide-chaîne. Retirez la sciure présente dans la rainure (A) ainsi que le port d'alimentation en huile de chaîne (B). Pour éviter que le guide-chaîne s'use d'un seul côté, retournez-le à chaque fois que vous remplacez ou affûtez la chaîne. Si la rainure est usée, courbée, fissurée ou déformée, remplacez le guide-chaîne.



## Examen de la chaîne

Lorsque vous sentez que la chaîne est usée, déformée, fissurée ou qu'elle nécessite davantage d'effort lors de la coupe, remplacez-la ou demandez à un centre d'entretien agréé Makita de l'affûter.

## Graissage des pièces mobiles

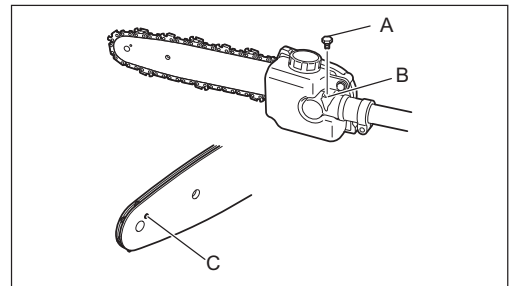
**NOTE :** Respectez les instructions relatives à la fréquence et la quantité de graisse à appliquer. Dans le cas contraire, un graissage insuffisant pourrait endommager les pièces mobiles.

Carter d'engrenage :

Retirez l'ergot de graissage (A) et remplissez l'orifice de graissage (B) de graisse à base de lithium toutes les 25 heures de fonctionnement.

Nez du guide-chaîne :

Appliquez de la graisse (Shell Alvania n°2 ou équivalent) depuis l'orifice de graissage (C) toutes les 10 heures de fonctionnement.



## VIDANGE DE L'HUILE MOTEUR

Une huile moteur détériorée réduit grandement la durée de vie des pièces mobiles. N'oubliez pas de vérifier la fréquence et la quantité des vidanges.



**ATTENTION :** En général, le bloc principal du moteur et l'huile moteur restent brûlants juste après l'arrêt du moteur. Pour la vidange de l'huile, vérifiez que le bloc principal du moteur et l'huile moteur ont suffisamment refroidi. Sinon, vous risquez de vous brûler.

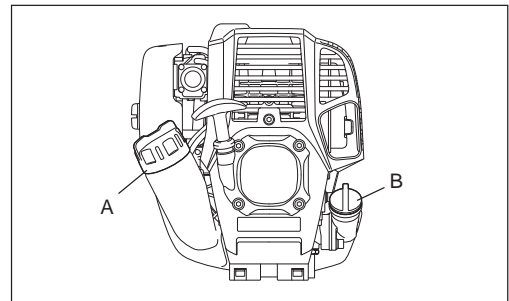
**Remarque :** Si le niveau d'huile dépasse la limite, l'huile risque d'être contaminée ou de s'enflammer en produisant de la fumée blanche.

**Fréquence des vidanges :** Au départ, après 20 heures de fonctionnement, puis toutes les 50 heures de fonctionnement

**Huile recommandée :** Huile SAE 10W-30 de catégorie API, classe SF ou supérieure (moteur 4 temps pour automobile)

Vous pouvez également procéder comme suit.

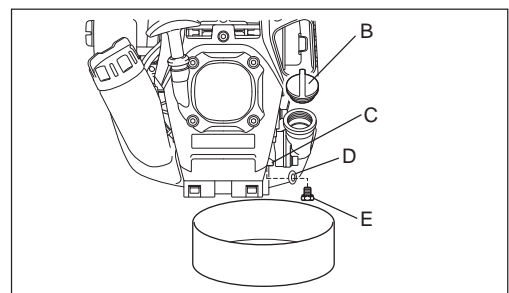
- 1) Assurez-vous que le bouchon du réservoir de carburant (A) est bien serré.
- 2) Placez un grand récipient (poêle, etc.) sous l'orifice de vidange (C).



- 3) Retirez le boulon de vidange (E) puis le bouchon d'huile (B) afin de purger l'huile à partir de l'orifice de vidange. À ce stade, veillez à ne pas égarer le joint du boulon de vidange (D) et à ne pas salir les composants déposés.

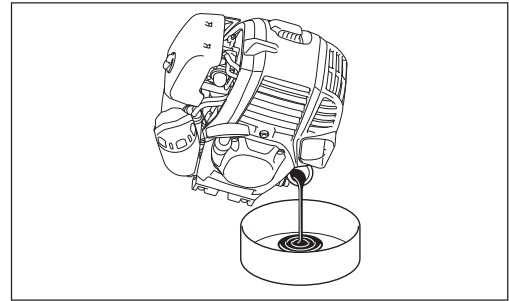
- 4) Une fois l'huile entièrement vidangée, associez le joint au boulon de vidange, puis serrez fermement le boulon de vidange afin qu'il ne se desserre pas et ne provoque pas de fuite.

\* Utilisez un chiffon pour essuyer l'huile qui s'est déversée sur le boulon et le matériel.

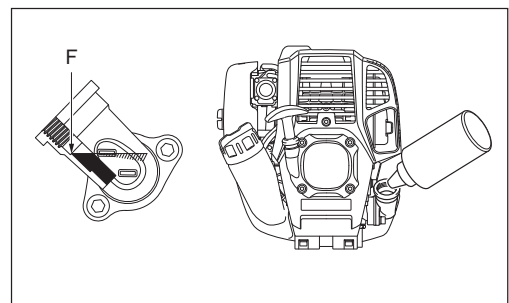
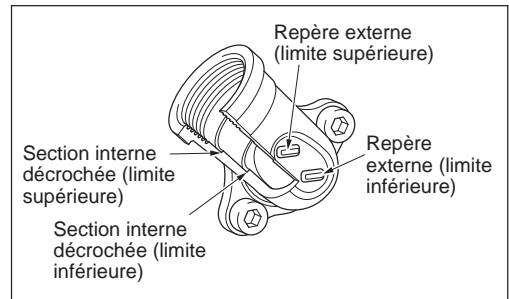


#### Autre méthode de vidange

Retirez le bouchon d'huile, inclinez l'appareil vers l'orifice de remplissage d'huile et purgez l'huile.  
Recueillez l'huile dans un récipient.



- 5) Réglez le niveau du moteur et remplissez progressivement le réservoir avec de l'huile neuve jusqu'au repère de la limite supérieure (**F**).
- 6) Une fois le remplissage terminé, serrez à fond le bouchon d'huile afin qu'il ne se desserre pas et ne provoque pas de fuite.  
Si vous ne serrez pas correctement le bouchon d'huile, il risque de fuir.



#### **AVERTISSEMENTS CONCERNANT L'HUILE**

- Ne jetez jamais d'huile moteur à la poubelle, sur la terre ou dans les égouts. Débarrassez-vous de l'huile en suivant la législation. Respectez toujours la loi en vigueur. Pour tout éclaircissement, contactez un agent d'entretien agréé.
- L'huile se détériore, même lorsqu'elle n'est pas utilisée. Effectuez régulièrement des inspections et des remplacements (vidangez l'huile tous les 6 mois).

## NETTOYAGE DU FILTRE À AIR



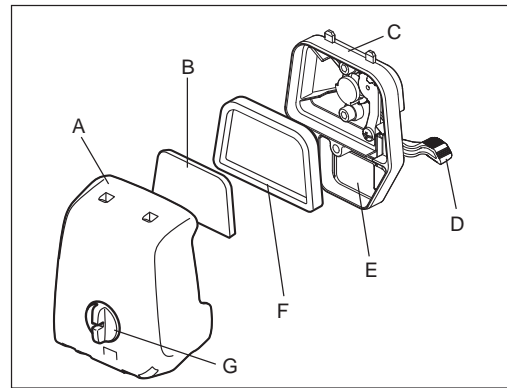
**DANGER : PRODUITS INFLAMMABLES STRICTEMENT INTERDITS**

**Intervalle de nettoyage et d'inspection : Tous les jours (toutes les 10 heures d'utilisation)**

- Tournez le levier d'étrangleur (**D**) vers le côté complètement fermé et éloignez le carburateur de toute poussière ou saleté.
- Dévissez le boulon de fixation (**G**).
- Retirez le capot du filtre à air (**A**) en tirant sur la partie inférieure de celui-ci.
- Retirez les éléments (**B**) (**F**) et tapez dessus pour en retirer la saleté.
- Si les éléments sont fortement contaminés : Retirez les éléments, plongez-les dans de l'eau chaude ou dans un détergent neutre dilué à l'eau et faites-les entièrement sécher. Lorsque vous les lavez, ne les serrez pas et ne les frottez pas.
- Avant de remettre les éléments en place, assurez-vous qu'ils sont complètement secs. Un séchage insuffisant des éléments peut provoquer un démarrage difficile.
- Essuyez l'huile présente autour du capot du filtre à air et sur le reniflard (**E**) à l'aide d'un chiffon.
- Installez l'élément (éponge) (**B**) dans l'élément (feutre) (**F**). Installez les éléments dans le support (**C**) de sorte que l'éponge se trouve face au capot du filtre à air.
- Fixez immédiatement le capot du filtre à air et serrez-le avec des boulons de fixation. (Pour le remettre en place, commencez par le haut, puis le bas.)

### NOTE :

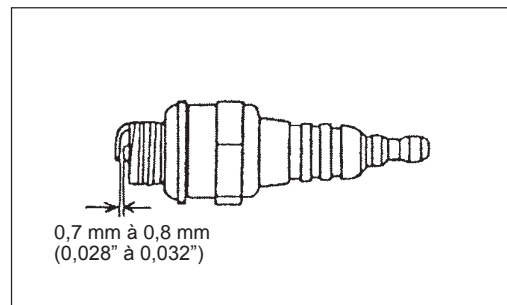
- Nettoyez les éléments plusieurs fois par jour en cas de poussière excessive. Les éléments sales diminuent la puissance du moteur et rendent difficile le démarrage du moteur.
- Retirez l'huile présente sur les éléments. Si vous continuez à utiliser l'appareil alors que les éléments restants comportent encore de l'huile, l'huile présente dans le filtre à air risque d'être expulsée à l'extérieur et de contaminer l'environnement.
- Ne placez pas les éléments sur le sol ou dans un lieu sale. La saleté ou les débris pourraient se poser dessus et endommager le moteur.
- N'utilisez jamais de carburant pour nettoyer les éléments. Le carburant pourrait les endommager.



## VÉRIFICATION DE LA BOUGIE

- N'utilisez que la clé universelle fournie pour retirer ou installer la bougie.
- L'écartement entre les deux électrodes de la bougie doit être compris entre 0,7 et 0,8 mm (0,028" à 0,032"). Réglez l'écartement s'il est trop large ou trop étroit. Si la bougie est bouchée ou contaminée, nettoyez-la complètement ou remplacez-la.

**ATTENTION :** Ne touchez jamais le connecteur de la bougie lorsque le moteur est en marche (risque de choc électrique haute tension).





## NETTOYAGE DU FILTRE À CARBURANT

### AVERTISSEMENT : PRODUITS INFLAMMABLES STRICTEMENT INTERDITS

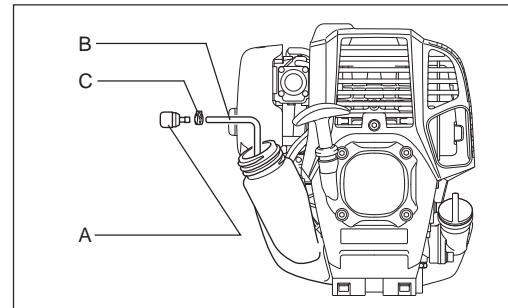
Intervalle de nettoyage et d'inspection : Tous les mois (toutes les 50 heures d'utilisation)

#### Crépine d'aspiration dans le réservoir de carburant

Examinez régulièrement le filtre à carburant (A). Pour ce faire, procédez comme suit :

- (1) Retirez le bouchon du réservoir de carburant, purgez le carburant pour vider le réservoir. Examinez l'intérieur du réservoir à la recherche de corps étrangers. Le cas échéant, retirez-les.
- (2) Retirez la crépine d'aspiration à l'aide d'un crochet à fil que vous passez à travers l'orifice du réservoir.
- (3) Si le filtre à carburant est légèrement bouché, nettoyez-le. Pour ce faire, secouez-le et tapez-le doucement au niveau du carburant. Pour éviter tout dommage, ne le serrez pas et ne le frottez pas. Le carburant utilisé pour le nettoyage doit être éliminé conformément à la réglementation en vigueur dans votre pays.  
Si le filtre à carburant a durci ou est fortement bouché, remplacez-le.
- (4) Après avoir procédé à la vérification, au nettoyage ou au remplacement du filtre à carburant, insérez-le dans le tuyau de carburant (B) et fixez-le à l'aide du collier de serrage (C). Enfoncez complètement le filtre à carburant au fond du réservoir de carburant.

Un filtre à carburant bouché ou endommagé peut entraîner une alimentation insuffisante en carburant et réduire la puissance du moteur. Remplacez le filtre à carburant au moins tous les trimestres pour assurer une alimentation satisfaisante en carburant dans le carburateur.



## REPLACEMENT DU TUYAU DE CARBURANT

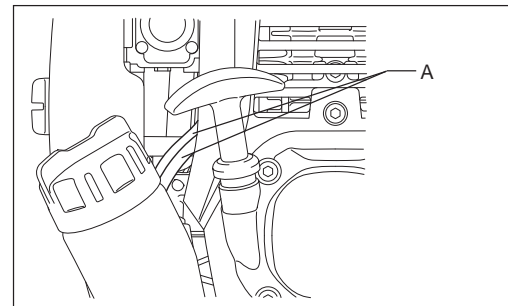
### ATTENTION : PRODUITS INFLAMMABLES STRICTEMENT INTERDITS

Intervalle de nettoyage et d'inspection : Tous les jours (toutes les 10 heures d'utilisation)

Remplacement : Tous les ans (toutes les 200 heures d'utilisation)

Remplacez le tuyau de carburant (A) tous les ans, quelle que soit la fréquence d'utilisation. Une fuite de carburant peut provoquer un incendie.

Si vous détectez une fuite pendant une inspection, remplacez immédiatement le tuyau de carburant.



## INSPECTION DES BOULONS, ÉCROUS ET VIS

- Resserrez les boulons, écrous, etc. desserrés.
- Vérifiez l'absence de fuite de carburant et d'huile.
- Remplacez les pièces endommagées par des pièces neuves afin de garantir un fonctionnement en toute sécurité.

## NETTOYAGE DES PIÈCES

- Conservez toujours le moteur propre.
- Conservez les ailettes de cylindre dépourvues de poussière et saleté. Si de la poussière ou des saletés adhèrent aux ailettes, cela risque d'endommager les pistons.

## REPLACEMENT DES JOINTS STATIQUES ET DES TAMPONS AMORTISSEURS

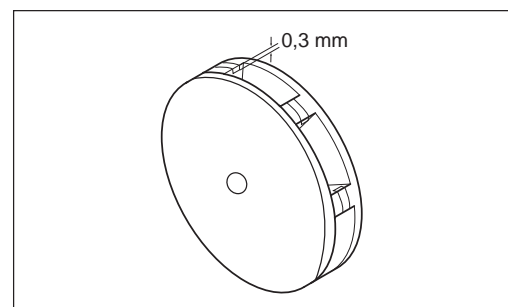
Lorsque vous remontez le moteur après l'avoir démonté, n'oubliez pas de remplacer les joints statiques et les tampons amortisseurs par des pièces neuves.

Tout autre type d'entretien ou travail de réglage non inclus et décrit dans ce manuel doit être effectué par des agents d'entretien agréés uniquement.

## EXAMEN DE LA ROUE DE CHAÎNE

Vérifiez l'usure de la roue de chaîne toutes les 50 heures d'utilisation.

Remplacez-la si les repères d'usure atteignent 0,3 mm de profondeur ou plus.



## Affûtage de la chaîne

### Affûtez la chaîne lorsque :


- Une poussière farineuse est produite lors de la coupe de bois humide ;
- La chaîne pénètre avec difficulté dans le bois, même si vous appliquez une forte pression ;
- La face de coupe est de toute évidence endommagée ;
- L'élagueuse tire vers la gauche ou la droite dans le bois. Cela est dû à un mauvais affûtage de la chaîne ou au fait qu'elle est endommagée d'un côté seulement.

### Affûtez la chaîne souvent, en ne retirant qu'une faible quantité de matériau chaque fois.

Pour un affûtage de routine, deux ou trois passes avec une lime suffisent généralement. Après plusieurs affûtages de la chaîne, faites-la affûter par un centre d'entretien agréé MAKITA.

### Critères d'affûtage :

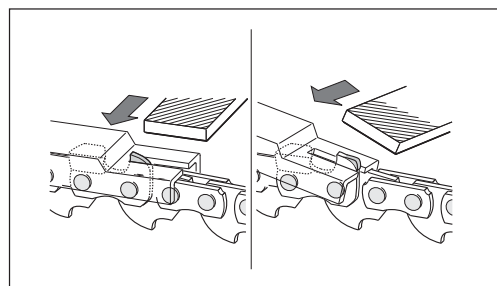
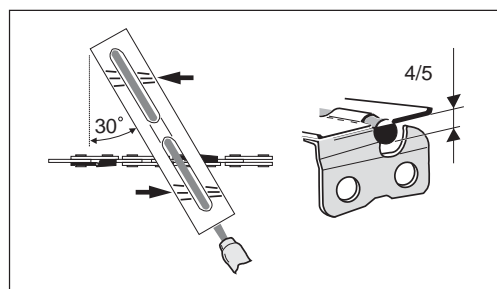
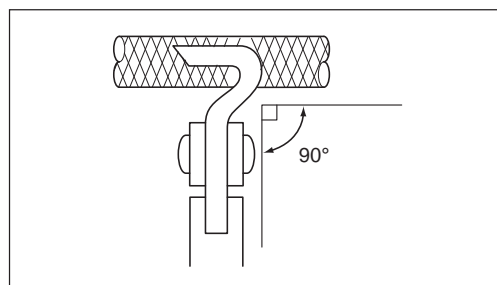
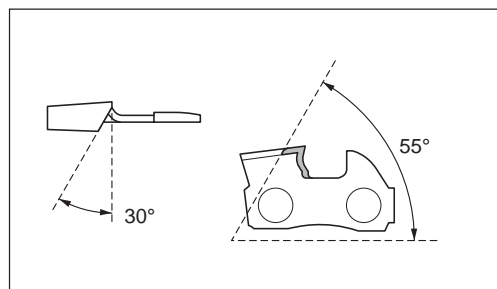
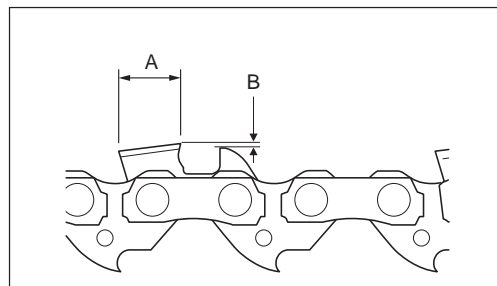
- La longueur de toutes les arêtes (**A**) doit être identique. La chaîne ne tournera pas en douceur et elle risque de se casser si les arêtes sont de longueur inégale.
- L'épaisseur des copeaux est déterminée par la distance entre la jauge de profondeur (nez rond) et la face de coupe (**B**).
- Les meilleurs résultats de coupe sont obtenus avec la distance suivante entre la face de coupe et la jauge de profondeur.  
Lame de chaîne 91VXL : 0,64 mm (0,025")

 **AVERTISSEMENT** : Une distance trop importante augmente le risque de rebond.

- L'angle d'affûtage, de 30°, doit être le même sur toutes les arêtes. La chaîne risque de tourner de manière saccadée et inégale, de s'user rapidement et de casser si les angles sont différents.
- L'angle d'attaque latérale des arêtes est déterminé par la profondeur de pénétration de la lime ronde. Si la lime spécifiée est utilisée correctement, le bon angle d'attaque latérale sera naturellement obtenu.
- L'angle approprié pour chaque chaîne est le suivant :  
Lame de chaîne 91VXL : 55°

### lime et guidage de lime

- Pour affûter la chaîne, utilisez une lime ronde spéciale (accessoire en option) pour chaînes. Il est préférable de ne pas utiliser une lime ronde ordinaire.
- Le diamètre de la lime ronde pour chaque chaîne est le suivant :  
Lame de chaîne 91VXL : 4,0 mm (5/32")
- La lime ne doit être pénétrer l'arête que dans son mouvement vers l'avant. Soulevez la lime pour qu'elle ne touche pas l'arête dans son mouvement de retour.
- Affûtez d'abord la plus courte arête. Ensuite, la longueur de cette arête la plus courte devient la longueur standard pour toutes les autres arêtes de la chaîne.
- Guidez la lime en procédant comme suit.
- Il sera plus facile de guider la lime si vous utilisez le porte-lime (accessoire en option). Le porte-lime possède des indications pour le réglage correct de l'angle d'affûtage sur 30° (alignez les indications parallèlement à la chaîne), et il limite la profondeur de pénétration (jusqu'à 4/5 du diamètre de la lime).
- Après l'affûtage de la chaîne, vérifiez la hauteur de la jauge de profondeur au moyen de l'outil pour jauge de chaîne (accessoire en option).
- Retirez toute partie saillante, même petite, au moyen d'une lime plate spécialement conçue à cet effet (accessoire en option).
- Arrondissez à nouveau la partie avant de la jauge de profondeur.



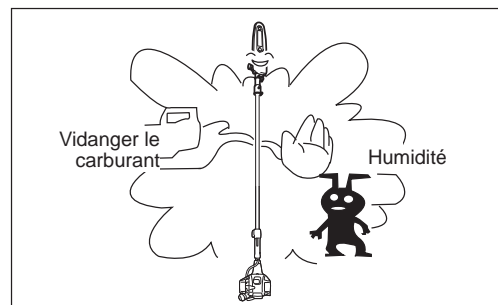


**AVERTISSEMENT : Lors de la vidange du carburant, veillez à couper le moteur et à vérifier qu'il refroidit.**

**Le moteur est encore chaud juste après avoir été arrêté. Attendez qu'il refroidisse, afin d'éviter tout risque de brûlure ou d'incendie.**

Lorsque l'appareil n'est pas utilisé pendant une période prolongée, effectuez les opérations suivantes :

- Pour vidanger le réservoir de carburant et le carburateur, procédez comme suit :
  - 1) Retirez le bouchon du réservoir de carburant et vidangez entièrement le carburant. S'il reste un corps étranger dans le réservoir de carburant, retirez-le complètement.
  - 2) Retirez le filtre à carburant de l'orifice de remplissage à l'aide d'un fil.
  - 3) Pressez la poire d'amorçage jusqu'à la vider du carburant et vidangez le carburant qui arrive dans le réservoir de carburant.
  - 4) Remplacez le filtre dans le réservoir de carburant et vissez à fond le bouchon du réservoir de carburant.
  - 5) Ensuite, faites tourner le moteur jusqu'à ce qu'il s'arrête.
- Purgez l'huile de chaîne.
- Retirez la chaîne et le guide-chaîne.
- Nettoyez la rainure de guidage du guide-chaîne.
- Lubrifiez légèrement la chaîne et le guide-chaîne.
- Retirez la bougie et versez plusieurs gouttes d'huile moteur dans le logement de la bougie.
- Tirez doucement la poignée du démarreur afin que l'huile moteur se répande sur le moteur, puis remettez la bougie en place.
- En général, entreposez l'appareil en position horizontale. Si cela n'est pas possible, placez l'appareil de sorte que le bloc-moteur se trouve sous l'outil de coupe. Dans le cas contraire, de l'huile moteur risque de fuir depuis l'intérieur.
- Veillez également à entreposer l'appareil en lieu sûr afin d'éviter de l'endommager et de vous blesser.
- Entrez le carburant vidangé dans un bidon spécial, dans un endroit bien ventilé.



### Précaution à prendre après un entreposage pendant une longue période

- Avant de démarrer l'appareil après une longue période de stockage, veillez à remplacer l'huile moteur (reportez-vous à la section « VIDANGE DE L'HUILE MOTEUR »). L'huile se détériore lorsque l'appareil ne fonctionne pas pendant une longue période.

### Résolution de pannes

Panne	Système	Observation	Cause
Le moteur ne démarre pas, ou difficilement	Système d'allumage	Étincelle d'allumage O.K.  Pas d'étincelle d'allumage	Panne de l'alimentation en carburant ou du système de compression, panne mécanique  Interrupteur STOP commandé, panne de câblage ou court-circuit, bougie ou connecteur défectueux, module d'allumage défectueux
	Alimentation en carburant	Réservoir de carburant plein	Position incorrecte de l'étrangleur, carburateur défectueux, ligne d'alimentation en carburant pliée ou bloquée, carburant encrassé
	Compression	Pas de compression lors de la mise en route	Joint inférieur du cylindre défectueux, joints d'étanchéité du vilebrequin endommagés, cylindre ou segments de piston défectueux ou mauvaise étanchéité de la bougie
Problèmes de démarrage à chaud	Panne mécanique	Le démarreur ne s'enclenche pas  Réservoir plein, bougie d'allumage en place	Ressort du démarreur cassé, pièces cassées à l'intérieur du moteur  Carburateur contaminé, nettoyez-le
	Alimentation en carburant	Réservoir rempli	Mauvais réglage du ralenti, carburateur contaminé  Prise d'air du réservoir de carburant défectueuse, conduite d'alimentation en carburant interrompue, câble ou interrupteur STOP défectueux
Performances insuffisantes	Plusieurs systèmes peuvent être affectés simultanément	Mauvais ralenti du moteur	Filtre à air contaminé, carburateur contaminé, pot d'échappement bouché, conduit d'échappement du cylindre bouché

Élément	Durée de fonctionnement	Avant utilisation	Après lubrification	Tous les jours (10 h)	25 h	50 h	200 h	Arrêt/repos
Appareil complet	Examiner visuellement	<input type="radio"/>						
Huile moteur	Inspecter	<input type="radio"/>						
	Remplacer					<input type="radio"/> *1		
Serrage des pièces (boulon, écrou)	Inspecter	<input type="radio"/>						
Réservoir de carburant	Inspecter	<input type="radio"/>						
	Vidanger le carburant							<input type="radio"/> *3
Commande d'accélération	Vérifier le fonctionnement	<input type="radio"/>	<input type="radio"/>					
Interrupteur d'arrêt	Vérifier le fonctionnement	<input type="radio"/>	<input type="radio"/>					
Vitesse au ralenti	Inspecter/régler			<input type="radio"/>				
Filtre à air	Nettoyer			<input type="radio"/>				
Bougie d'allumage	Inspecter			<input type="radio"/>				
Conduite d'air de refroidissement	Nettoyer/inspecter			<input type="radio"/>				
Tuyau de carburant	Inspecter			<input type="radio"/>				
	Remplacer						<input checked="" type="radio"/> *2	
Filtre à carburant	Nettoyer/remplacer					<input type="radio"/>		
Espacement de la soupape (soupape d'admission et soupape d'échappement)	Inspecter/régler						<input checked="" type="radio"/> *2	
Révision du moteur							<input checked="" type="radio"/> *2	
Carburateur	Vidanger le carburant							<input type="radio"/> *3
Port d'alimentation en huile de chaîne	Nettoyer			<input type="radio"/>				
Guide-chaîne	Nettoyer la rainure et le port d'alimentation en huile de chaîne			<input type="radio"/>				
	Inspecter			<input type="radio"/>				
	Injecter de la graisse			<input type="radio"/>				
Carter d'engrenage	Injecter de la graisse				<input type="radio"/>			
Roue de chaîne	Inspecter					<input type="radio"/>		
Chaîne	Remplacer ou faire affûter							<input type="radio"/> *4

\*1 Effectuez un remplacement initial après 20 heures d'utilisation.

\*2 Pour l'inspection après 200 heures d'utilisation, contactez un centre d'entretien agréé.

\*3 Après avoir vidé le réservoir de carburant, continuez à faire fonctionner le moteur et purgez le carburant situé dans le carburateur.

\*4 Au besoin.

## RÉSOLUTION DE PROBLÈMES

Avant d'envoyer votre appareil en réparation, vérifiez si vous pouvez régler le problème vous-même. Si vous découvrez une anomalie, commandez votre appareil selon les descriptions de ce manuel. Ne démontez et ne modifiez aucune pièce d'une manière contraire à la description. Pour toute réparation, contactez un agent d'entretien agréé ou un revendeur local.

Problème	Cause probable (dysfonctionnement)	Solution
Le moteur ne démarre pas	Oubli d'activation de la pompe d'amorçage.	Appuyez 7 à 10 fois.
	Tirage lent de la corde du démarreur.	Tirez plus fort.
	Panne de carburant.	Faites le plein.
	Filtre de carburant bouché.	Nettoyez-le.
	Tuyau de carburant débranché.	Branchez correctement le tuyau de carburant.
	Tuyau de carburant plié.	Redressez le tuyau de carburant.
	Carburant détérioré.	Du carburant détérioré rend le démarrage plus difficile. Remplacez-le par du carburant neuf. (Remplacement recommandé : 1 fois par mois).
	Aspiration excessive de carburant.	Réglez la commande d'accélération en vitesse moyenne ou élevée et tirez sur la poignée de démarrage jusqu'à ce que le moteur démarre. Une fois le moteur démarré, la chaîne commence à tourner. Méfiez-vous de la chaîne. Si le moteur ne démarre toujours pas, retirez la bougie, séchez l'électrode et ré-assemblez ces éléments comme ils l'étaient à l'origine. Ensuite, démarrez comme indiqué.
	Protecteur de bougie débranché.	Branchez-le solidement.
	Bougie contaminée.	Nettoyez-la.
	Espacement anormal de la bougie.	Régler l'espacement.
	Autre problème de la bougie.	Remplacez-la.
	Carburateur anormal.	Faites une demande d'examen et d'entretien.
Impossible de tirer la corde de démarrage.	Faites une demande d'examen et d'entretien.	
Entraînement anormal.	Faites une demande d'examen et d'entretien.	
Le moteur s'arrête rapidement La vitesse du moteur n'augmente pas	Réchauffement insuffisant.	Chauffez le moteur.
	Le levier d'étrangleur est en position « CLOSE (OUVRIR) » alors que le moteur est chaud.	Le régler sur « OPEN (FERMER) ».
	Filtre de carburant bouché.	Nettoyez-le.
	Filtre à air contaminé ou bouché.	Nettoyez-le.
	Carburateur anormal.	Faites une demande d'examen et d'entretien.
	Entraînement anormal.	Faites une demande d'examen et d'entretien.
L'huile de chaîne n'est pas injectée.	Le réservoir d'huile est vide.	Remplissez le réservoir d'huile de chaîne.
	Le port d'alimentation en huile de chaîne est encrassé.	Nettoyez le port d'alimentation en huile de chaîne sur l'appareil et le guide-chaîne.
	La vis de réglage du débit d'injection d'huile de chaîne est mal réglée.	Réglez correctement la vis de réglage.
La chaîne ne tourne pas ↓ Arrêtez immédiatement le moteur	Le guide-chaîne est courbé ou endommagé.	Remplacez le guide-chaîne.
	Des corps étrangers ont été happés par la chaîne.	Retirez les corps étrangers lorsque le moteur est coupé.
	Entraînement anormal.	Faites une demande d'examen et d'entretien.
L'appareil vibre anormalement ↓ Arrêtez immédiatement le moteur	Guide-chaîne cassé, tordu ou usé.	Remplacez le guide-chaîne.
	Chaîne lâche.	Réglez la tension de la chaîne.
	Entraînement anormal.	Faites une demande d'examen et d'entretien.
La chaîne ne s'arrête pas ↓ Arrêtez immédiatement le moteur	Rotation élevée au ralenti.	Réglez la vitesse du ralenti.
	Problème de câble de la commande d'accélération.	Demandez à un centre d'entretien de le remplacer.
	Entraînement anormal.	Faites une demande d'examen et d'entretien.
Le moteur ne s'arrête pas ↓ Faites tourner le moteur au ralenti et réglez le levier d'étrangleur sur CLOSE (OUVRIR)	Connecteur de l'interrupteur I-O débranché.	Branchez-le solidement.
	Système électrique anormal.	Faites une demande d'examen et d'entretien.

Lorsque le moteur ne démarre pas après avoir été réchauffé :

Si aucun problème n'apparaît après vérification, ouvrez l'étrangleur d'environ 1/3 et démarrez le moteur.

Herzlichen Glückwunsch, dass Sie sich für den Kauf eines Benzin-Hochtasters von MAKITA entschieden haben. Wir freuen uns, Ihnen den Benzin-Hochtaster von MAKITA anbieten zu können; diese Erzeugnisse sind das Ergebnis eines langen Entwicklungsprogramms und vieler Jahre an Erkenntnissen und Erfahrungen. Bitte lesen Sie diese Broschüre mit detaillierten Informationen zu den verschiedenen Punkten, in denen die herausragende Leistungsfähigkeit dieses Werkzeuges demonstriert wird. So können Sie die bestmöglichen Ergebnisse mit Ihrem Benzin-Hochtaster von MAKITA erzielen.



Inhaltsverzeichnis	Seite
Symbole.....	54
Sicherheitshinweise.....	55
Technische Daten.....	61
Bezeichnung der Bauteile.....	62
Montage und Einstellungen.....	63
Vor dem Betrieb.....	67
Wichtige Betriebsschritte und Stoppen des Werkzeugs.....	69
Betrieb.....	71
Wartungsanweisungen.....	71
Aufbewahrung.....	77

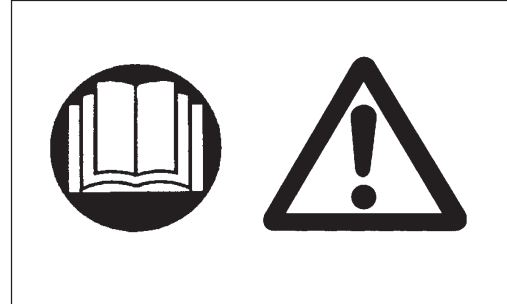
## SYMBOLE

Beim Lesen der Betriebsanleitung werden Ihnen die folgenden Symbole begegnen:

	Lesen Sie die Betriebsanleitung und befolgen Sie die Warnungen und Sicherheitshinweise!		Offene Flamme verboten!
	Besondere Aufmerksamkeit erforderlich!		Sägekettenöl.
	Tragen Sie Schutzhelm, Schutzbrille und Gehörschutz.		Im Arbeitsbereich dürfen sich keine anderen Personen und keine Tiere aufhalten!
	Tragen Sie Schutzhandschuhe!		Kraftstoff (Ottokraftstoff)
	Tragen Sie festes Schuhwerk mit rutschfester Sohle.		Manueller Motorstart
	Halten Sie mit dem Werkzeug einen Abstand von mindestens 15 m zu umstehenden Personen und zu Elektroleitungen (und zu Ästen, die diese Leitungen berühren). Gefahr eines Stromschlags und/oder von Verletzungen.		Erste Hilfe
	Halten Sie den Hochtaster niemals in einem Winkel größer als 60°.		EIN/START
	Kettendrehzahl.		AUS/STOPP
	Verboten!		Not-Aus
	Rauchen verboten!		

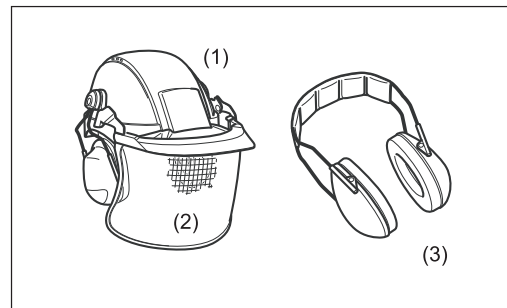
## Allgemeine Sicherheitshinweise

- Der Benutzer muss diese Betriebsanleitung aufmerksam durchlesen, um sich mit dem Umgang des Werkzeugs vertraut zu machen. Nur so ist eine ordnungsgemäße Handhabung des Werkzeugs gegeben. Unzureichend informierte Bediener können durch unsachgemäßen Umgang mit dem Werkzeug sich und andere gefährden.
- Es wird empfohlen, das Werkzeug nur an Personen auszuhändigen, die bereits Erfahrung mit einem solchen Werkzeug haben. Übergeben Sie das Werkzeug immer zusammen mit der Betriebsanleitung.
- Erstanwender sollten sich zuerst vom Händler einweisen lassen, um sich mit dem Umgang mit einem motorgetriebenen Trimmer vertraut zu machen.
- Kindern und Jugendlichen unter 18 Jahren darf die Bedienung des Werkzeuges nicht gestattet werden. Personen über 16 Jahren dürfen das Werkzeug jedoch im Rahmen einer Ausbildung verwenden, sofern sie von einem qualifizierten Ausbilder beaufsichtigt werden.
- Verwenden Sie das Werkzeug mit äußerster Vorsicht und Aufmerksamkeit.
- Bedienen Sie das Werkzeug nur, wenn Sie in guter körperlicher Verfassung sind. Führen Sie alle Arbeiten ruhig und mit Vorsicht aus. Der Anwender haftet für Schäden an Dritten.
- Verwenden Sie das Werkzeug niemals nach dem Genuss von Alkohol oder Drogen oder falls Sie sich müde oder krank fühlen.
- Versuchen Sie niemals, das Werkzeug zu modifizieren.
- Nationale Gesetze schränken die Verwendung des Werkzeuges möglicherweise ein. Halten Sie die in Ihrem Land geltenden Gesetze und Bestimmungen bezüglich des Umgangs mit Hochentastern und Motorsägen ein.



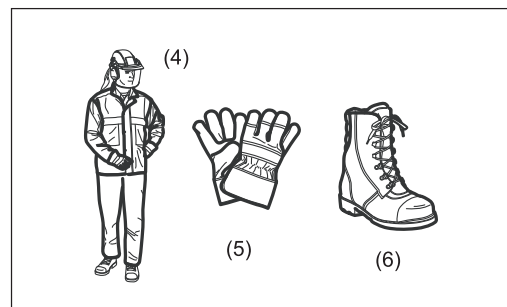
## Verwendungszweck des Geräts

Dieses Werkzeug ist nur für das Stutzen von Ästen und Zweigen mit einem Durchmesser von weniger als 15 cm vorgesehen. Verwenden Sie dieses Werkzeug niemals für andere Zwecke. Bei zweckfremder Verwendung kann es zu schweren Verletzungen kommen.



## Persönliche Schutzausrüstung

- Tragen Sie zweckmäßige und geeignete Kleidung, d.h. die Kleidung sollte am Körper anliegen, jedoch ohne zu behindern. Tragen Sie keinen Schmuck und keine Kleidung, der / die sich in Büschen oder Gestrüpp verfangen könnte.
- Um Verletzungen von Gehör, Augen, Händen und Füßen zu vermeiden, aber auch um Ihre Hörleistung zu schützen, ist während des Betriebs des Werkzeugs die folgenden Schutzausrüstungen oder Schutzkleidungen zu tragen.
- Tragen Sie stets einen Helm, wenn die Gefahr herabfallender Gegenstände besteht. Der Schutzhelm (1) muss regelmäßig auf Beschädigungen überprüft und spätestens nach jeweils 5 Jahren durch einen neuen Helm ersetzt werden. Verwenden Sie ausschließlich zugelassene Schutzhelme.
- Das Visier (2) des Helms (oder alternativ eine Schutzbrille) schützt das Gesicht vor herumfliegenden Bruchstücken und Steinen. Tragen Sie während des Betriebs des Werkzeugs eine Schutzbrille oder ein Visier, um Verletzungen der Augen zu vermeiden.
- Tragen Sie einen angemessenen Gehörschutz, um eine Schädigung des Gehörs zu vermeiden (Gehörschutzkapseln (3), Gehörschutzstöpsel usw.).
- Arbeitsanzüge (4) schützen gegen herumfliegende Steine und Fremdkörper. Wir empfehlen sehr, dass Anwender Arbeitsanzüge zu tragen.
- Spezielle Handschuhe (5) aus dickem Leder sind Bestandteil der vorgeschriebenen Ausrüstung und müssen beim Betrieb des beschriebenen Werkzeuges stets getragen werden.
- Tragen Sie bei Betrieb des Werkzeuges stets feste Schuhe (6) mit einer rutschfesten Sohle. Derartige Schuhe schützen vor Verletzungen und geben einen sicheren Halt.
- Tragen Sie beim Umgang mit der Sägekette oder beim Einstellen der Kettenspannung immer Schutzhandschuhe. Die Sägekette kann an ungeschützten Händen schwere Schnittwunden verursachen.



## Sicherheit am Arbeitsplatz

- **⚠ Gefahr:** Halten Sie den Hochentaster mindestens 15 m fern von Elektroleitungen und Kommunikationskabeln (und zu Ästen, die diese Leitungen berühren). Bei Annäherung an oder gar Berührung von Hochspannungsleitungen mit dem Hochentaster kann es zu schweren oder gar tödlichen Verletzungen kommen. Achten Sie vor Beginn der Arbeiten auf Stromversorgungsleitungen und Elektrozäune im Arbeitsbereich.
- Betreiben Sie den Hochentaster nur bei guten Sichtverhältnissen und unter Tageslicht. Betreiben Sie den Hochentaster nicht in der Dunkelheit oder bei Nebel.
- Starten und betreiben Sie den Motor nur im Freien in gut belüfteten Bereichen. Bei Betrieb in geschlossenen Räumen oder unzureichend belüfteten Bereichen bestehen Erstickungsgefahr und die Gefahr einer Kohlenmonoxidvergiftung.
- Führen Sie die Arbeiten niemals auf einer instabilen oder rutschigen Fläche oder an einem Steilhang stehend aus. Achten Sie in der kalten Jahreszeit auf Schnee und Eis, und sorgen Sie immer für einen sicheren Stand.
- Achten Sie darauf, dass umstehende Personen und Tiere einen Abstand von mindestens 15 m zum Hochentaster einhalten. Stoppen Sie den Motor sofort, wenn sich Personen nähern.
- Kontrollieren Sie vor Beginn der Arbeiten den Arbeitsbereich auf das Vorhandensein von Drahtzäunen, Steinen und sonstigen massiven Objekten. Durch derartige Objekte kann die Sägekette beschädigt werden.
- **⚠ WARNUNG:** Bei Gebrauch dieses Produkts kann Staub entstehen, der Chemikalien enthält, die Erkrankungen der Atemwege und andere Erkrankungen verursachen können. Beispiele solcher Chemikalien sind Bestandteile in Pestiziden, Insektiziden, Düngemitteln und Herbiziden. Die Höhe der Gesundheitsgefährdung hängt davon ab, wie oft Sie derartige Arbeiten ausführen. Sorgen Sie für eine gute Belüftung des Arbeitsbereichs und verwenden Sie zugelassene Schutzausrüstungen, beispielsweise solche Staubmasken, die speziell für das Filtern mikroskopischer Partikel vorgesehen sind.

## Inbetriebnahme

- Schalten Sie stets den Motor aus und ziehen Sie die Zündkerzenstecker, bevor Sie das Werkzeug zusammenbauen oder Einstellungen am Werkzeug vornehmen.
- Überprüfen Sie das Werkzeug auf Beschädigungen, gelockerte Schrauben/ Muttern oder unsachgemäßen Zusammenbau, bevor Sie den Motor starten. Achten Sie auf eine ordnungsgemäß geschärfte Sägekette. Tauschen Sie eine verbogene oder beschädigte Kette aus. Überprüfen Sie, ob alle Bedienelemente und Schalter ordnungsgemäß funktionieren. Halten Sie die Griffe sauber und trocken.
- Starten Sie den Motor niemals, wenn das Werkzeug beschädigt oder nicht vollständig zusammengebaut ist. Anderenfalls kann es zu schweren Verletzungen kommen.
- Stellen Sie eine geeignete Kettenspannung ein. Füllen Sie ggf. Kettenöl auf.

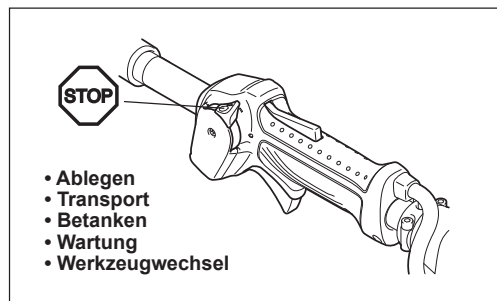
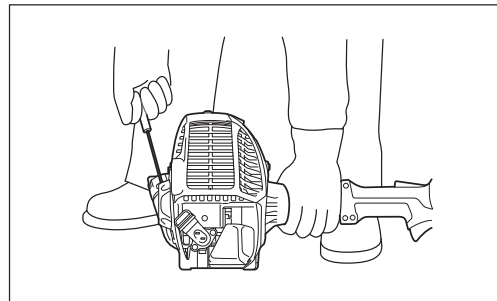
## Starten des Motors

- Stellen Sie sicher, dass sich keine anderen Personen, insbesondere Kinder, in unmittelbarer Nähe befinden und achten Sie auf Tiere im Arbeitsbereich.
- Legen Sie vor dem Starten des Motors die persönliche Schutzausrüstung an.
- Prüfen Sie die sichere Befestigung des Aufsatzes, den Steuerungshebel auf einfache Bedienung und überprüfen Sie die ordnungsgemäße Funktionsweise der Arretierung des Entsperrungshebels.
- Wenn sich die Sägekette im Leerlauf bewegt, stoppen Sie den Motor und stellen Sie eine niedrigere Drehzahl ein. Lassen Sie im Zweifelsfall die richtige Einstellung bei einem autorisierten Servicecenter vornehmen. Sorgen Sie dafür, dass die Griffe sauber und trocken sind, und testen Sie die Funktion des Start-/Stoppschalters.



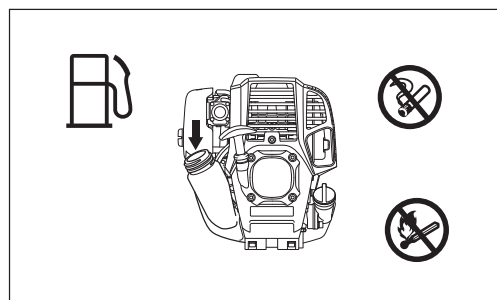
Starten Sie den Motor nur gemäß den Anleitungen.

- Starten Sie den Motor auf keine andere Weise!
- Legen Sie das Werkzeug auf dem Boden ab. Achten Sie auf Ihr Gleichgewicht und auf sicheren Stand.
- Halten Sie das Werkzeug mit der linken Hand fest gegen den Boden, wenn Sie den Startergriff ziehen. Treten Sie niemals auf den Antriebsschaft.
- Stellen Sie vor dem Starten des Motors sicher, dass sich keine Personen oder Tiere im Arbeitsbereich aufhalten.
- Achten Sie beim Motorstart darauf, dass die Sägekette und die Führungsschiene nicht in Berührung mit Ihrem Körper und anderen Objekten oder mit dem Boden kommt. Beim Starten des Motors kann die Sägekette in Bewegung geraten, wodurch es zu schweren Verletzungen und/oder Schäden an der Sägekette und/oder anderen Sachschäden kommen kann.
- Schalten Sie bei Auftreten von Problemen mit dem Motor den Motor sofort aus.
- Sollte die Sägekette Steine oder andere harte Gegenstände treffen, schalten Sie sofort den Motor aus und überprüfen Sie das Werkzeug.
- Betreiben Sie das Gerät nur mit angefügtem Schultergurt, der vor der Inbetriebnahme an den Benutzer angepasst werden muss. Wichtig ist, dass der Schultergurt auf die Körperhöhe des Benutzers eingestellt wird, um ein Ermüden während der Verwendung zu verhindern. Halten Sie den Trimmer während des Betriebs niemals mit nur einer Hand.
- Lassen Sie den Motor im Leerlauf laufen und legen Sie sich den Schultergurt um. Belassen Sie das Werkzeug mit sicherem Griff an Ihrer rechten Seite.
- Während des Betriebs müssen alle mit der Maschine gelieferten Schutzvorrichtungen und Abdeckungen verwendet werden.
- Betreiben Sie den Motor niemals mit beschädigtem Auspuffschalldämpfer.
- Lassen Sie das Werkzeug nur in einem Notfall zu Boden fallen, da dadurch das Werkzeug beschädigt werden kann.



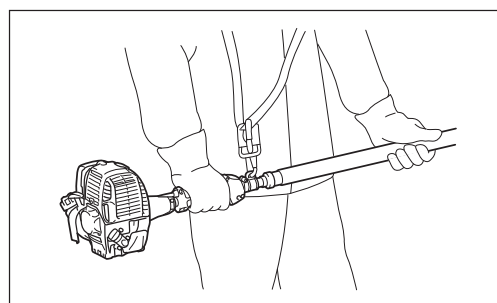
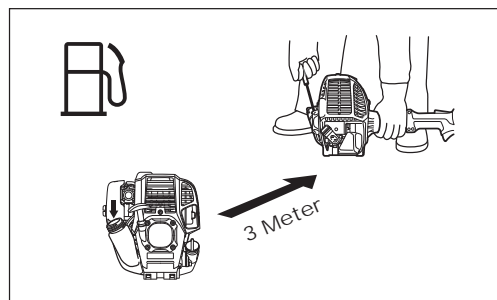
### Betanken

- Schalten Sie den Motor aus, halten Sie den Motor von offenen Flammen fern, und rauchen Sie während des Auftankens nicht.
- Vermeiden Sie Hautkontakt mit Mineralölprodukten. Atmen Sie die Kraftstoffdämpfe nicht ein. Tragen Sie zum Betanken immer Schutzhandschuhe. Wechseln und reinigen Sie Schutzkleidung regelmäßig.
- Stellen Sie zur Vermeidung einer Kontaminierung des Erdbodens (Umweltschutz) sicher, dass kein Kraftstoff und kein Öl in das Erdreich eindringt. Wischen Sie verschütteten Kraftstoff unverzüglich vom Werkzeug ab.
- Vermeiden Sie, dass Kraftstoff in Kontakt mit Ihrer Kleidung kommt. Falls Ihre Kleidung in Kontakt mit Kraftstoff gekommen ist, wechseln Sie die Kleidung sofort (Brandgefahr!).
- Überprüfen Sie den Tankdeckel regelmäßig auf ordnungsgemäßen Sitz und auf Dichtheit.
- Schrauben Sie den Kraftstoff-Tankdeckel ordnungsgemäß fest. Entfernen Sie sich mindestens 3 m vom Ort des Auftankens, bevor Sie den Motor starten.
- Führen Sie die Betankung niemals in geschlossenen Räumen durch. Auf dem Fußboden kann es zu einer Ansammlung von Kraftstoffdämpfen und dadurch zu einer Verpuffung oder gar Explosion kommen.
- Transportieren und lagern Sie Kraftstoff ausschließlich in dafür zugelassenen Behältern. Stellen Sie sicher, dass Kinder keinen Zugang zu gelagertem Kraftstoff haben.



### Handhabung

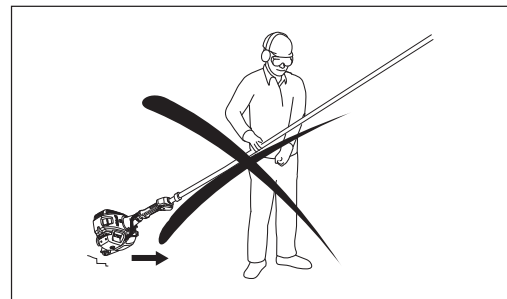
- Schalten Sie bei einem Notfall sofort den Motor aus.
- Schalten Sie den Motor aus, wenn Sie während des Betriebs etwas Ungewöhnliches (z. B. ungewöhnliche Geräusche, Vibrationen) bemerken. Verwenden Sie das Werkzeug erst dann wieder, nachdem die Ursache gefunden und behoben wurde.
- Die Sägekette bewegt sich nach dem Loslassen des Gashebels noch für eine kurze Zeit weiter. Berühren Sie die Sägekette erst nach vollständigem Stillstand.
- Erfassen Sie, auch wenn Sie Linkshänder sind, den vorderen Griff mit der linken Hand und den hinteren Griff mit der rechten Hand. Legen Sie Finger und Daumen fest um die Griffe.
- Versuchen Sie niemals, das Werkzeug mit nur einer Hand zu bedienen. Dadurch kann es zum Verlust der Kontrolle und zu schweren oder gar tödlichen Verletzungen kommen. Halten Sie Hände und Füße von der Sägekette fern, um die Gefahr von Verletzungen zu vermeiden.
- Überdehnen Sie Ihren Standbereich nicht. Achten Sie jederzeit auf sicheren Stand und sicheres Gleichgewicht.
- Achten Sie auf verborgene Hindernisse wie Baumstümpfe, Wurzeln und Kanäle, damit Sie nicht stolpern oder gar stürzen. Räumen Sie herabgefallene Äste und andere Objekte weg.
- Wenn das Werkzeug einem starken Stoß ausgesetzt wurde oder heruntergefallen ist, überprüfen Sie den Zustand des Werkzeugs, bevor Sie die Arbeiten fortsetzen. Überprüfen Sie das Kraftstoffsystem auf Leckagen und die Bedienelemente und Sicherheitseinrichtungen auf Fehlfunktionen. Wenn Sie einen Schaden bemerken oder sich nicht sicher sind, wenden Sie sich zur Inspektion und Reparatur an ein autorisiertes Makita-Servicecenter.
- Berühren Sie nicht das Getriebegehäuse. Bei Betrieb erhitzt sich das Getriebegehäuse.
- Schalten Sie immer den Motor aus, wenn Sie das Werkzeug, auch nur kurzzeitig, unbeaufsichtigt lassen. Wenn ein unbeaufsichtigtes Werkzeug mit laufendem Motor von einer unbefugten Person ergriffen wird, kann es zu schweren Unfällen kommen.



- Achten Sie auf die Umwelt. Vermeiden Sie ein unnötiges Betätigen des Gashebels, damit Umweltbelastung und Geräusentwicklung so gering wie möglich gehalten werden. Achten Sie auf eine korrekte Vergasereinstellung.
- Legen Sie das erhitzte Werkzeug während oder nach den Arbeiten nicht auf trockenem Gras oder brennbaren Materialien ab.
- Halten Sie Ihre rechte Hand bis maximal Schulterhöhe.
- Achten Sie während der Arbeiten darauf, dass die Sägekette nicht auf harte Gegenstände wie z. B. Steine oder Nägel trifft. Seien Sie besonders vorsichtig, wenn Sie Äste in der Nähe von Mauern, Drahtzäunen o. ä. sägen.
- Falls Äste in der Sägekette steckenbleiben, halten Sie den Motor immer an und entfernen Sie den Zündkerzenstecker. Andernfalls kann ein unbeabsichtigter Start schwere Verletzungen verursachen.
- Wird die Sägekette blockiert, halten Sie den Motor immer an und entfernen Sie vor dem Reinigen den Zündkerzenstecker.
- Durch ein Erhöhen der Motordrehzahl bei blockierter Sägekette erhöht sich die Last, und der Motor und/oder die Kupplung können beschädigt werden.
- Halten Sie sich vor dem Sägen dicker Äste einen Fluchtweg vom herabfallenden Ast weg offen. Entfernen Sie zuerst Hindernisse wie z. B. Äste und Zweige aus dem Arbeitsbereich. Bringen Sie sämtliches Werkzeug und alle übrigen Ausrüstungsgegenstände aus dem Fluchtweg an einen anderen sicheren Ort.
- Bedenken Sie vor dem Schneiden von dickeren Ästen die Fallrichtung dieser Äste und den Zustand von Ästen und Zweigen, benachbarter Bäume, Windrichtung usw. Achten Sie ganz besonders auf die Fallrichtung und den Aufprallbereich der Äste.
- Halten Sie den Hochtaster niemals in einem Winkel größer als 60°. Anderenfalls kann der Bediener von herabfallenden Objekten getroffen und schwer verletzt werden. Wählen Sie niemals einen Standort unter dem abzuschneidenden Ast.
- Achten Sie auf gebrochene oder gebogene Äste. Solche Äste können beim Sägen unerwartet zurückschlagen und Verletzungen verursachen.
- Entfernen Sie Zweige und Laub von zu schneidenden Ästen, bevor Sie den Schnitt ansetzen. Anderenfalls kann sich die Säge in diesen Ästen und Blättern verfangen.
- Geben Sie den Gashebel erst frei, nachdem Sie die Säge aus der Schnittfuge gezogen haben, damit die Säge nicht in der Schnittfuge verklemmt.
- Wenn die Sägekette in der Schnittfuge klemmt, schalten Sie sofort den Motor aus, und biegen Sie den Ast vorsichtig so, dass sich die Fuge öffnet und die Säge freigibt.
- Vermeiden Sie ein Rückschlagen (Gegenkraft in Richtung Bediener mit Tendenz zur Drehbewegung). Sägen Sie niemals mit der Spitze der Führungsschiene oder im „Eintauchschnitt“, um das Auftreten eines Zurückschlagens zu vermeiden. Achten Sie stets auf die Position der Spitze der Führungsschiene.
- Überprüfen Sie die Kettenspannung regelmäßig. Schalten Sie stets den Motor aus und ziehen Sie die Zündkerzenstecker ab, wenn Sie die Kettenspannung überprüfen oder einstellen. Wenn die Sägekette nicht ausreichend gespannt ist, spannen Sie die Kette nach.
- Betreiben Sie das Werkzeug mit möglichst geringer Geräusch- und Abgasentwicklung, und verursachen Sie möglichst keine Verschmutzungen der Umwelt. Stellen Sie vor allem sicher, dass der Vergaser richtig eingestellt ist.
- Betreiben Sie das Werkzeug niemals, wenn Sie auf einer Leiter stehen.
- Klettern Sie niemals auf Bäume, um mit dem Werkzeug zu sägen.
- Warten Sie vor dem Sägen ab, bis die Kette ihre volle Arbeitsdrehzahl erreicht hat.
- Legen Sie regelmäßig Pausen ein, damit es nicht zu einem Kontrollverlust aufgrund von Ermüdungserscheinungen kommt. Wir empfehlen, jede Stunde eine Pause von 10 bis 20 Minuten einzulegen.

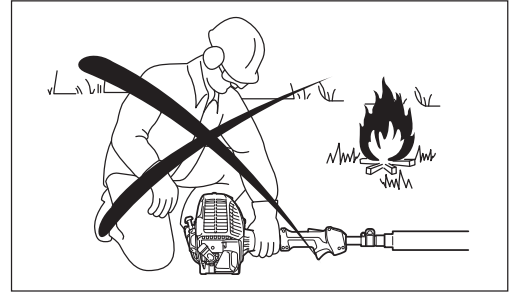
## Transport

- Schalten Sie stets den Motor aus und ziehen Sie den Zündkerzenstecker, bevor Sie das Werkzeug transportieren.
- Setzen Sie vor einem Transport immer die Führungsschienenabdeckung auf.
- Verwenden Sie immer die mit dem Werkzeug mitgelieferten Schutzvorrichtungen.
- Tragen Sie das Werkzeug in waagerechter Position, indem Sie es am Schaft greifen. Halten Sie den heißen Auspuffschalldämpfer von Ihrem Körper fern.
- Sichern Sie das Werkzeug bei Transport in einem Fahrzeug ordnungsgemäß, damit es nicht umkippen kann. Anderenfalls kann Kraftstoff auslaufen, und es kann zu Beschädigungen am Werkzeug und an anderen Gepäckstücken kommen.
- Schalten Sie vor einem Transport den Motor aus.
- Sorgen Sie dafür, dass der Kraftstofftank des Werkzeugs vollständig leer ist.
- Setzen Sie beim Abladen des Werkzeuges von einem LKW den Motor niemals hart auf den Boden auf; anderenfalls kann der Kraftstofftank beschädigt werden.
- Heben Sie beim Bewegen immer das gesamte Werkzeug vom Boden an. Das Ziehen des Werkzeuges am Kraftstofftank ist äußerst gefährlich und kann zu Beschädigung des Tanks oder Auslaufen von Kraftstoff führen und ggf. einen Brand verursachen.



## Wartungsanweisungen

- Lassen Sie Ihr Werkzeug durch unser autorisiertes Servicecenter warten. Verwenden Sie stets nur originale Ersatzteile. Unsachgemäße Reparatur- und Wartungsarbeiten können die Lebenszeit des Werkzeugs verkürzen und das Unfallrisiko erhöhen.
- Schalten Sie stets den Motor aus und ziehen Sie den Zündkerzenstecker, bevor Sie Wartungs-, Reparatur- oder Reinigungsarbeiten am Werkzeug vornehmen. Warten Sie, bis sich der Motor abgekühlt hat.
- Führen Sie Arbeiten am Werkzeug niemals in der Nähe von offenen Flammen aus. Brandgefahr.
- Tragen Sie beim Umgang mit der Sägekette immer Schutzhandschuhe.
- Reinigen Sie das Werkzeug immer von Staub und Schmutz. Verwenden Sie zum Reinigen niemals Kraftstoffe, Benzin, Verdüner, Alkohol oder ähnliches. Dies kann zu Verfärbungen, Verformungen oder Rissen an den Kunststoffkomponenten führen.
- Ziehen Sie nach jedem Gebrauch alle Schrauben und Muttern nach, mit Ausnahme der Einstellschrauben.
- Halten Sie die Sägekette scharf. Wenn die Sägekette stumpf geworden ist und keine ausreichende Sägeleistung mehr erbringt, lassen Sie die Kette in Ihrem autorisierten Makita Servicecenter schärfen, oder tauschen Sie die Kette gegen eine neue Kette aus.
- Nehmen Sie keine Wartungs- und Reparaturarbeiten vor, die nicht in dieser Bedienungsanleitung erläutert sind. Wenden Sie sich zwecks Ausführen derartiger Arbeiten an Ihr autorisiertes Makita Servicecenter.
- Reinigen Sie das Werkzeug regelmäßig und überprüfen Sie, ob alle Schrauben und Muttern fest angezogen sind.
- Lagern Sie das Werkzeug in einem verschlossenen Raum und nur mit geleertem Kraftstofftank.



## Lagerung

- Führen Sie vor der Lagerung des Werkzeugs eine vollständige Reinigung und Wartung durch. Bringen Sie die Führungsschienenabdeckung auf. Entfernen Sie den Zündkerzenstecker. Warten Sie, bis sich der Motor abgekühlt hat, und lassen Sie dann den Kraftstoff und das Kettenöl ab.
- Lagern Sie das Werkzeug an einem Ort, der hoch genug oder verschließbar ist, damit Kinder nicht an das Werkzeug gelangen können.
- Lehnen Sie das Werkzeug niemals gegen etwas, beispielsweise gegen eine Wand. Anderenfalls könnte das Werkzeug plötzlich umfallen und Verletzungen verursachen.

Beachten Sie die geltenden Bestimmungen zur Verhinderung von Unfällen, die von den zuständigen Berufsverbänden und von Versicherungsunternehmen herausgebracht werden.

Nehmen Sie keinerlei technische Veränderungen am Werkzeug vor, da dies Ihre Sicherheit gefährden würde.

Der Bediener darf nur die in der Betriebsanleitung beschriebenen Wartungs- und Reparaturarbeiten durchführen. Alle anderen Arbeiten müssen von einem autorisierten Servicecenter durchgeführt werden. Verwenden Sie ausschließlich originale Ersatz- und Zubehörteile, die von MAKITA freigegeben und geliefert wurden.

Die Verwendung nicht freigegebener Zubehörteile und Werkzeuge stellt eine erhöhte Unfallgefahr dar.

MAKITA übernimmt keine Haftung für Unfälle oder Schäden, die durch die Verwendung nicht genehmigter Aufsätze und Befestigungen der Aufsätze und Zubehörteile verursacht werden.

## Erste Hilfe

Stellen Sie für den Fall eines Unfalls sicher, dass ein Erste-Hilfe-Kasten in der Nähe des Sägebetriebs verfügbar ist. Ersetzen Sie aus dem Erste-Hilfe-Kasten entnommene Materialien sofort.

### Machen Sie folgende Angaben, wenn Sie Hilfe anfordern:

- Ort des Unfalls
- Was ist passiert
- Anzahl der verletzten Personen
- Art der Verletzungen
- Ihr Name



## Vibration

- Wenn sich Personen mit Durchblutungsstörungen zu starken mechanischen Schwingungen aussetzen, kann es zu Schädigungen von Blutgefäßen und/oder des Nervensystems kommen. Folgende Symptome können durch Vibrationen an Fingern, Händen oder Handgelenken auftreten: „Einschlafen“ von Körperteilen (Taubheit), Kribbeln, Schmerz, Stechen, Veränderung von Hautfarbe oder Haut. Falls eines dieser Symptome auftritt, suchen Sie einen Arzt auf!
- Um das Risiko der „Weißfingerkrankheit“ zu verringern, halten Sie Ihre Hände während des Arbeitens warm und warten und pflegen Sie Maschine und Zubehörteile gut.

---

## EG-KONFORMITÄTSERKLÄRUNG

**Wir, Makita Corporation als verantwortlicher Hersteller, erklären, dass die folgenden Geräte der Marke Makita:**

Bezeichnung des Geräts/der Geräte: Benzin-Hochentaster

Nummer/Typ des Modells: EY2650H

Technische Daten: siehe unter „TECHNISCHE DATEN“

in Serienfertigung hergestellt werden und

**den folgenden Richtlinien der Europäischen Union genügen:**

2006/42/EG

Außerdem werden die Maschinen gemäß den folgenden Standards oder Normen gefertigt:

EN/ISO11680

Die technische Dokumentation erfolgt durch:

Makita International Europe Ltd., Technical Department,

Michigan Drive, Tongwell, Milton Keynes, Bucks MK15 8JD, England

Die Nummer der EG-Baumusterprüfbescheinigung als Hochentaster lautet:

4813008.13001

Die EG-Baumusterprüfung nach 2006/42/EG wurde durchgeführt von:

DEKRA Testing and Certification GmbH Enderstraße 92b 01277 Dresden, Germany

Kennnummer der benannten Stelle: 2140

31. 10. 2013



Tomoyasu Kato  
Direktor

Makita Corporation  
3-11-8, Sumiyoshi-cho,  
Anjo, Aichi, 446-8502, JAPAN

---

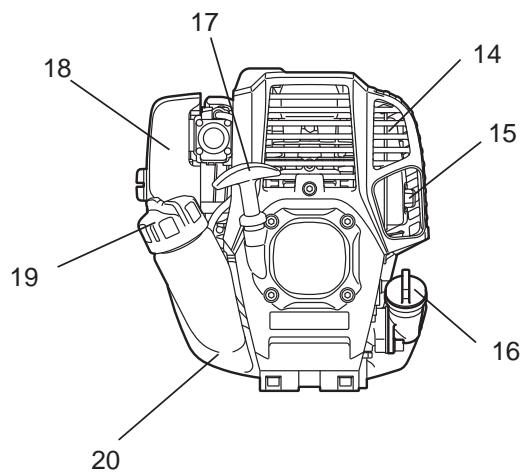
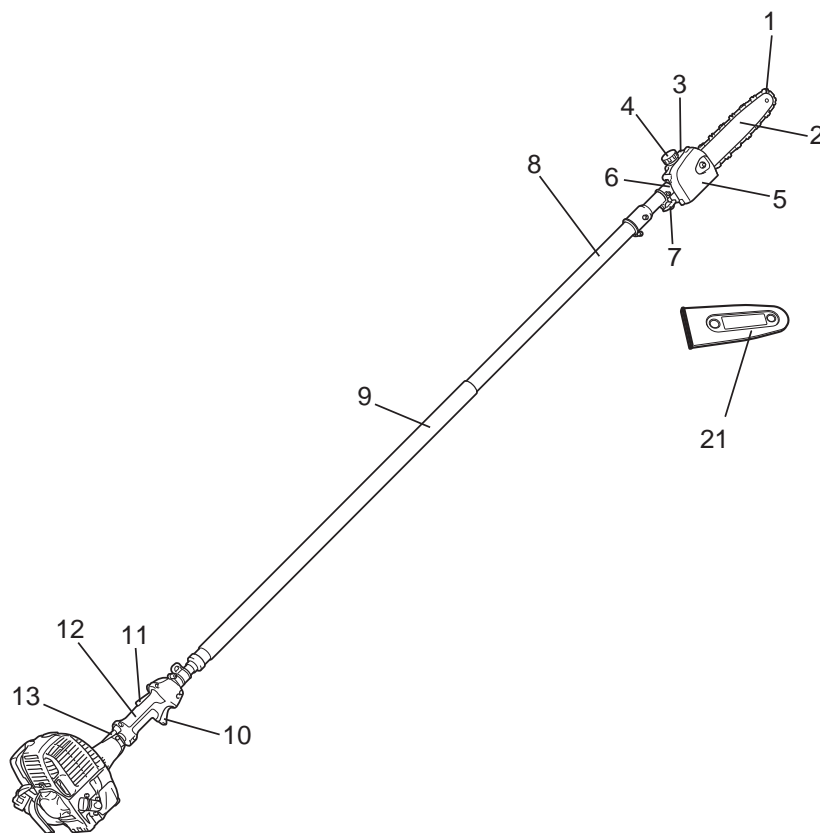
## TECHNISCHE DATEN

Modell		EY2650H		
Abmessungen: L x B x H	mm	2.720-3.920 x 223 x 240		
Gewicht	kg	7,2		
Volumen Kraftstofftank	cm <sup>3</sup>	600		
Volumen Kettenöltank	cm <sup>3</sup>	120		
Motor-Hubraum	cm <sup>3</sup>	25,4		
Max. Kettendrehzahl	m/s	21,0		
Maximale Motorleistung		0,77 kW bei 7.000 min <sup>-1</sup>		
Motordrehzahl bei empfohlener max. Wellendrehzahl	min <sup>-1</sup>	10.000		
Leerlaufdrehzahl	min <sup>-1</sup>	3.000		
Drehzahl Kupplungseingriff	min <sup>-1</sup>	4.400		
Vergaser		Art des Diaphragma		
Zündkerze	Typ	NGK CMR4A		
Elektrodenabstand	mm	0,7 - 0,8		
Kraftstoff		Kfz-Ottokraftstoff (Benzin)		
Motoröl		Öl nach API-Klassifikation SF oder höher, oder SAE 10W-30 (Motoröl für Auto-Viertaktmotor)		
Schnittlänge	mm	255		
Länge Führungsschiene	mm (Zoll)	255 (10")		
Sägekette		91VXL-39E		
Kettenteilung	Zoll	3/8"		
Maß Kettenbreite	mm (Zoll)	1,3 (0,05")		
Anzahl Zähne Kettenrad		7		
Sägekettenöl		Original-Kettenöl von Makita		
Kettenölpumpe		Kolbenpumpe (selbstschmierend)		
Schwingungen nach ISO 22867	Rechter Handgriff (hinterer Griff)	a <sub>hV eq</sub> (Schaft in kürzester Position)	m/s <sup>2</sup>	5,3
		a <sub>hV eq</sub> (Schaft in längster Position)	m/s <sup>2</sup>	6,1
		Abweichung K	m/s <sup>2</sup>	2,0
	Linker Handgriff (vorderer Griff)	a <sub>hV eq</sub> (Schaft in kürzester Position)	m/s <sup>2</sup>	7,2
		a <sub>hV eq</sub> (Schaft in längster Position)	m/s <sup>2</sup>	8,6
		Abweichung K	m/s <sup>2</sup>	2,0
Durchschnittlicher Schalldruckpegel nach ISO 22868	L <sub>PA eq</sub>	dBA	89,5	
	Abweichung K	dBA	2,5	
Durchschnittlicher Schalleistungspegel nach ISO 22868	L <sub>WA eq</sub>	dBA	107,3	
	Abweichung K	dBA	2,5	

- Aufgrund unserer beständigen Forschungen und Weiterentwicklungen sind Änderungen an den hier angegebenen Technischen Daten ohne Vorankündigung vorbehalten.
- Die Technischen Daten können in den einzelnen Ländern voneinander abweichen.

# BEZEICHNUNG DER BAUTEILE

EY2650H



D	BEZEICHNUNG DER BAUTEILE
1	Sägekette
2	Führungsschiene
3	Öltank
4	Öltankdeckel
5	Schienenhalter
6	Getriebegehäuse
7	Knauf
8	Teleskopschaft
9	Vorderer Griff
10	Gashebel
11	Entsperrungshebel
12	Hinterer Griff
13	Gaszug
14	Auspuffschalldämpfer
15	Abgasleitung
16	Öldeckel
17	Startergriff
18	Luftfilter
19	Kraftstoff-Tankdeckel
20	Kraftstofftank
21	Führungsschienenabdeckung

## MONTAGE UND EINSTELLUNGEN

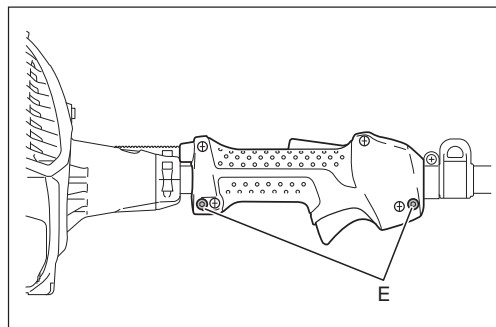
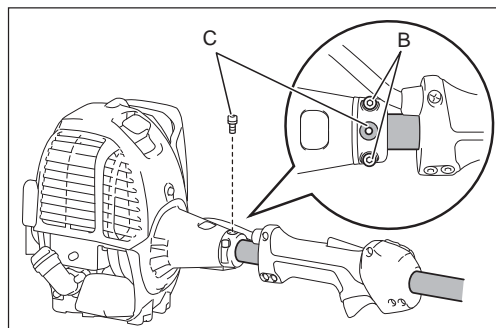
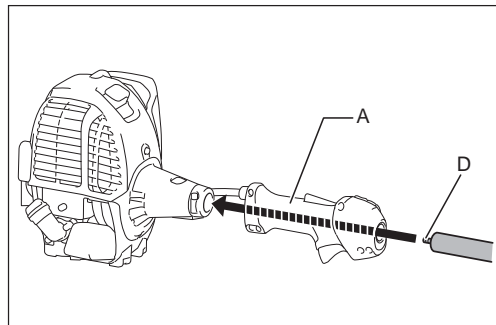
### WARNUNG:

- Schalten Sie stets den Motor aus und ziehen Sie die Zündkerzenstecker, bevor Sie das Werkzeug zusammenbauen, überprüfen oder Einstellungen am Werkzeug vornehmen.
- Tragen Sie beim Umgang mit der Sägekette immer Schutzhandschuhe.
- Warten Sie, bis sich die Sägekette abgekühlt hat, bevor sie sie zusammenbauen, überprüfen oder Einstellungen daran vornehmen. Die Sägekette wird während des Betriebs sehr heiß und kann Verbrennungen verursachen.

### Montage von Schaft und Kupplungsgehäuse

Montieren Sie den Schaft folgendermaßen an den hinteren Griff und an den Motorblock:

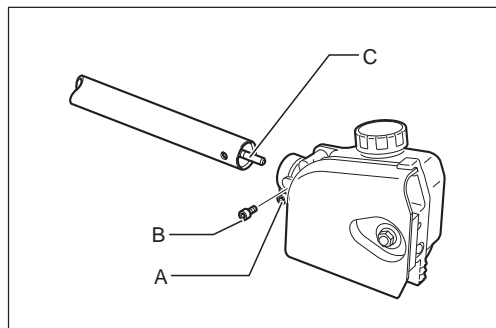
1. Führen Sie den Schaft durch den hinteren Griff **(A)**.
2. Lösen Sie die beiden Befestigungsschrauben **(B)** und entfernen Sie die Mittelschraube **(C)** am Kupplungsgehäuse.
3. Setzen Sie den Schaft in das Kupplungsgehäuse ein. Falls er sich nur schwer vollständig einsetzen lässt, drehen Sie die Kerbverzahnung **(D)** ein wenig.
4. Richten Sie die Öffnung im Schaft mit der Öffnung der Mittelschraube aus.
5. Ziehen Sie die Mittelschraube fest.
6. Ziehen Sie die beiden Befestigungsschrauben gleichmäßig an.
7. Stellen Sie die Position des hinteren Griffes ein und ziehen Sie in dann mit den beiden Schrauben **(E)** fest.



### Montage von Schaft und Getriebegehäuse

Montieren Sie den Schaft folgendermaßen am Getriebegehäuse:

1. Lösen Sie die Schraube **(A)**. Lösen Sie außerdem die Schraube **(B)**.
2. Setzen Sie den Schaft in das Getriebegehäuse ein. Falls er sich nur schwer vollständig einsetzen lässt, drehen Sie die Kerbverzahnung **(C)** ein wenig.
3. Richten Sie die Schaftöffnung mit der Schraubenöffnung **(B)** aus.
4. Ziehen Sie zuerst die Schraube **(B)** an und ziehen Sie dann die Schraube **(A)** an.



## Anbringen von Sägekette und Führungsschiene

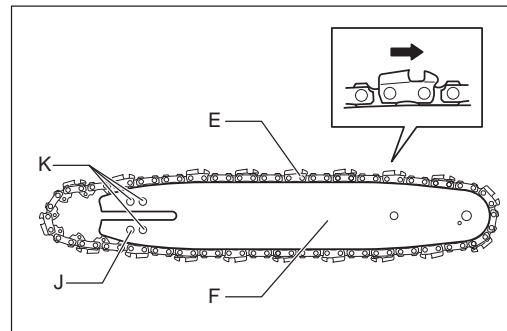
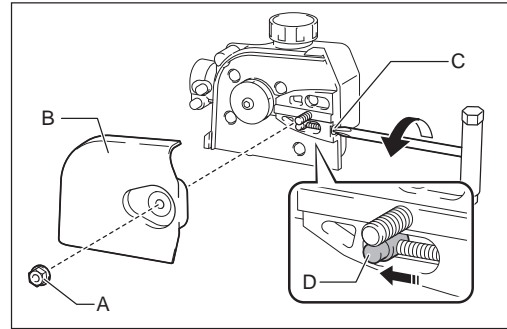
**ACHTUNG:** Stellen Sie sicher, dass Sägekette, Führungsschiene und Kettenrad in Breitmaß und Teilung zueinanderpassen.

Führen Sie folgende Schritte aus, um Sägekette und Führungsschiene zu befestigen:

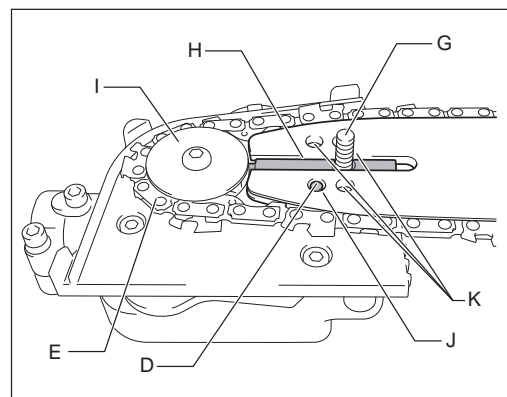
1. Lösen Sie die Schraubenmutter (A) und entfernen Sie den Schienenhalter (B).
2. Drehen Sie die Spannschraube (C) gegen den Uhrzeigersinn bis die Spannmutter (D) den linken Anschlag berührt.

### HINWEIS:

- Drehen Sie die Spannschraube nicht zu weit gegen den Uhrzeigersinn, sonst lösen sich Spannschraube und Spannmutter vom Gehäuse.
3. Legen Sie die Sägekette (E) in die Nut der Führungsschiene (F) ein. Beginnen Sie das Verfahren an der Spitze der Schiene.



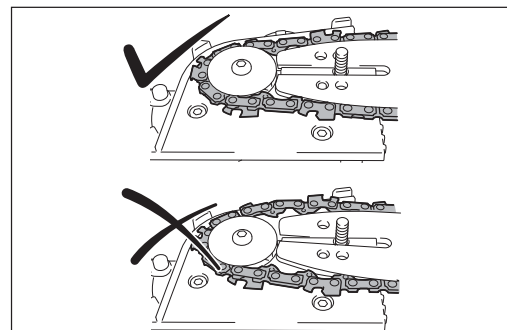
4. Richten Sie den Positionierbolzen (G) mit der Aussparung in der Führungsschiene (H) aus, und legen Sie dann die Sägekette (E) um das Kettenrad (I). Achten Sie darauf, dass die Sägekette dabei nicht von der Führungsschiene rutscht.
5. Montieren Sie die Führungsschiene (F) so, dass die Spannmutter (D) in die Bohrung (J) auf der Führungsschiene passt. Die Bohrungen (K) werden nicht verwendet.



6. Legen Sie die Sägekette ordnungsgemäß in die Nut der Führungsschiene. Wenn die Sägekette zu diesem Zeitpunkt nicht ordnungsgemäß in die Nut der Führungsschiene eingelegt ist, justieren und montieren Sie die Kette entsprechend.
7. Montieren Sie den Schienenhalter (B) und ziehen Sie die Schraubenmutter (A) fest an. Lösen Sie anschließend die Schraubenmutter wieder um eine halbe Umdrehung, damit die Kette ordnungsgemäß gespannt werden kann.
8. Stellen Sie die Kettenspannung ein. Siehe Abschnitt „Einstellen der Kettenspannung“.

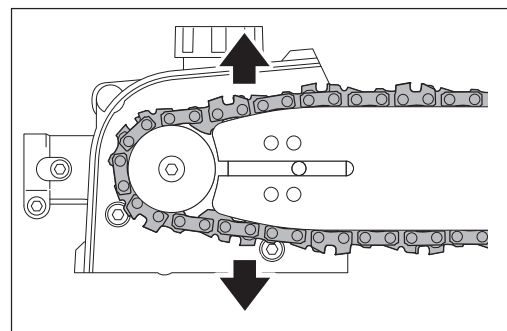
### ACHTUNG:

- Halten Sie die entsprechende Kettenspannung ein. Eine zu lockere Spannung kann zum Abspringen der Sägekette führen.



Zum Abnehmen der Sägekette und Führungsschiene, drehen Sie zunächst die Spannschraube (C) gegen den Uhrzeigersinn.

Ziehen Sie die Sägekette nach außen, sodass sich die Sägekette aus der Nut der Führungsschiene hebt, entfernen Sie dann beide aus dem Gehäuse.





## Einstellen der Kettenspannung

### ACHTUNG:

- Halten Sie die geeignete Kettenspannung ein. Eine zu lockere Kette kann während des Betriebs von der Führungsschiene springen. Bei einer zu straff gespannten Kette kann es zu Beschädigungen an der Sägekette und an der Führungsschiene kommen.
- Überprüfen Sie die Kettenspannung während des Betriebs regelmäßig. Während des Betriebs dehnt sich die Sägekette und wird locker. Stellen Sie bei einer neuen Sägekette die Kettenspannung öfters nach.

Führen Sie die folgenden Schritte aus, um die Kettenspannung einzustellen:

1. Lösen Sie die Schraubenmutter **(A)** durch eine halbe Umdrehung.
2. Halten Sie die Schiene mit der Spitze nach oben. Drehen Sie die Spannschraube **(B)** im Uhrzeigersinn, bis die Sägekette eng an der Unterseite der Führungsschiene anliegt.
3. Fassen Sie die Sägekette in der Mitte der Führungsschiene an und heben Sie sie an. Die Lücke zwischen der Führungsschiene und dem Spanngurt der Sägekette sollte etwa 3 - 4 mm betragen. Ist dies nicht der Fall, drehen Sie die Spannschraube etwas gegen den Uhrzeigersinn und wiederholen Sie Schritt 2.
4. Ziehen Sie die Schraubenmutter **(A)** fest an.
5. Ziehen Sie die Spannschraube ggf. ein wenig an, um ein Herabfallen zu verhindern.

## Auffüllen des Kettenöltanks

Während der Sägearbeiten muss die Sägekette mit Kettenöl geschmiert werden.

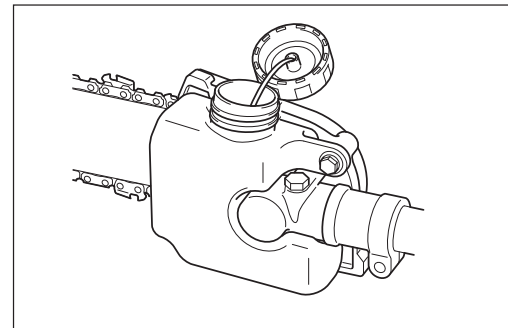
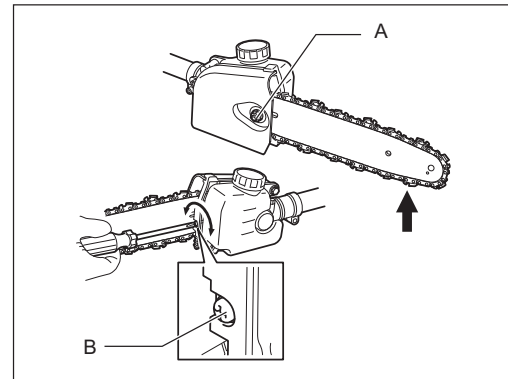
Füllen Sie vor Arbeitsbeginn den Kettenöltank. Ziehen Sie den Öltankdeckel nach dem Auffüllen ordnungsgemäß fest.

Verwenden Sie ausschließlich Original-Kettenöl von Makita.

### HINWEIS:

- Verwenden Sie niemals Altöl. Durch Altöl kann die Ölpumpe beschädigt werden.
- Vermeiden Sie es, Kettenöl in einer staubigen Umgebung aufzufüllen. Staub und andere Fremdstoffe können das Ölleitungssystem beschädigen.

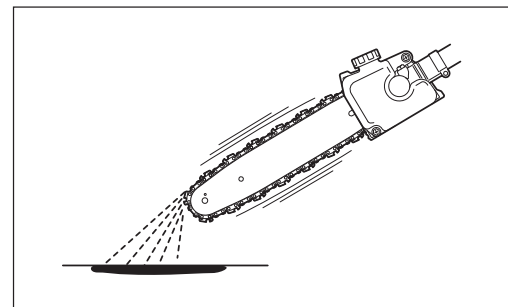
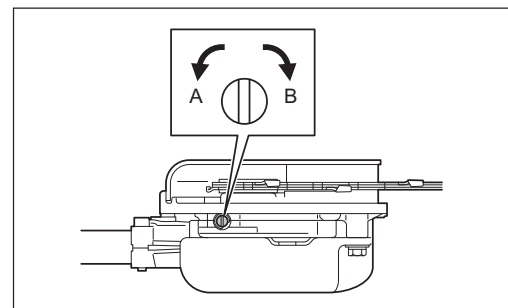
Achten Sie während des Betriebs stets auf den Ölstand. Füllen Sie bei niedrigem Ölstand den Öltank rechtzeitig nach. Der Tank ist nach ca. 40 Minuten Betrieb leer (von der Einstellung der Kettenschmierung abhängig).



## Einstellen der Kettenölaufuhr

Die Kettenölaufuhr kann in drei Stufen eingestellt werden. Stellen Sie die Zufuhrmenge entsprechend der auszuführenden Arbeiten ein, z. B. für das Sägen von Hartholz.

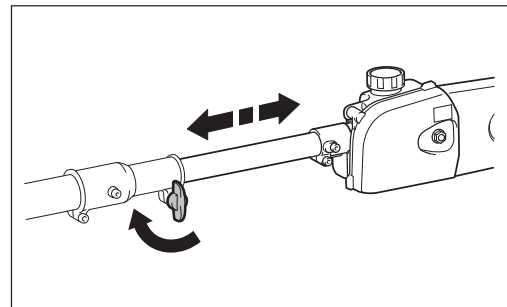
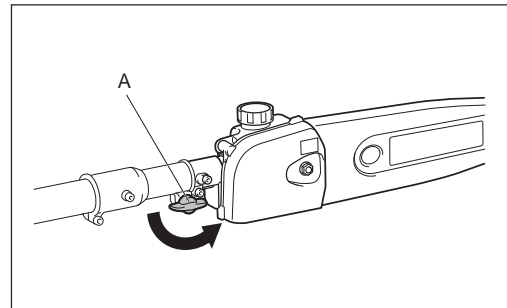
Stellen Sie die Zufuhrmenge an Kettenöl mit Hilfe eines Flachsraubendrehers ein. Drücken Sie auf die Einstellschraube und drehen Sie diese. Drehen Sie die Einstellschraube zum Erhöhen der Zufuhrmenge entgegen dem Uhrzeigersinn **(A)**. Drehen Sie sie im Uhrzeigersinn **(B)**, um die Zufuhrmenge zu verringern. Betreiben Sie nach dem Einstellen der Zufuhrmenge das Werkzeug mit mittlerer Geschwindigkeit, um die Zufuhrmenge zu überprüfen.



## Einstellen der Länge des Hochentasters

Stellen Sie die Länge des Hochentasters folgendermaßen ein:

1. Drehen Sie den Knauf **(A)** entgegen des Uhrzeigersinns.
2. Stellen Sie die Länge des Hochentasters ein.
3. Drehen Sie den Knauf im Uhrzeigersinn, um den Aufsatz zu befestigen.



## Schultergurt

### Anpassen des Schultergurts

Stellen Sie den Gurt auf eine für die Arbeiten geeignete Länge ein.

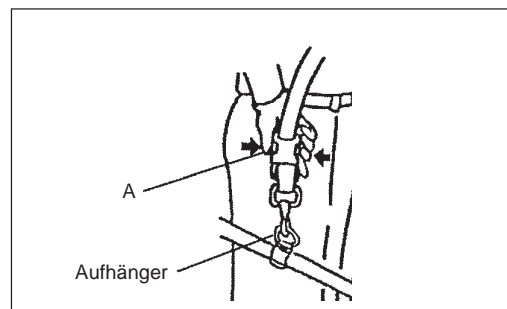
### Abtrennung

Drücken Sie im Notfall die Einrastungen **(A)** an beiden Seiten und trennen Sie das Werkzeug.

Gehen Sie äußerst vorsichtig vor, damit Sie jederzeit die Kontrolle über das Werkzeug behalten. Lassen Sie nicht zu, dass das Werkzeug in Ihre Richtung oder in Richtung anderer Personen in Ihrer Nähe abprallt.

**WARNUNG:** Andernfalls können Sie die Kontrolle über das Werkzeug verlieren und schwere oder TÖDLICHE Verletzungen verursachen.

Hinweis: In einigen Ländern hat der Schultergurt diese Abtrennfunktion nicht.



## Überprüfen und Nachfüllen von Motoröl

- Gehen Sie dazu, bei abgekühltem Motor, wie folgt vor.
- Legen Sie den Motor waagrecht ab, entfernen Sie den Öldeckel (Abb. 1) und prüfen Sie, ob Sie Öl im Bereich zwischen den oberen und unteren Grenzmarkierungen der Ölleitung sehen (Abb. 2).
- Füllen Sie Öl bis zur oberen Grenzmarkierung auf, falls nicht ausreichend Öl vorhanden ist (Ölstand nahe der unteren Grenzmarkierung) (Abb. 3).
- Der Bereich um die Markierungen außen ist transparent, so dass Sie den Ölstand im Inneren prüfen können, ohne den Öldeckel abzunehmen. Wenn die Ölleitung jedoch stark verschmutzt ist, kann die Transparenz verloren gehen, und der Ölstand muss am gestuften Bereich im Inneren der Ölleitung geprüft werden.
- Als Richtgröße sollten 10 Stunden für die Zeit für das Nachfüllen von Öl angenommen werden (d. h. nach ca. 10 Auftankungen). Falls das Öl seine Farbe geändert oder sich mit Schmutz vermischt hat, ersetzen Sie es durch neues Öl. (Weitere Informationen zum Intervall und der Methode des Ölwechsels finden Sie auf Seite 72.)

**Empfohlenes Öl:** Öl der API-Klassifikation SAE 10W-30, Klasse SF oder höher (Viertaktmotor für Kfz)

**Ölmenge:** ca. 0,08L

Hinweis: Wird der Motor nicht aufrecht gehalten, kann es passieren, dass das Öl den Motor nicht erreicht und zu viel Öl nachgefüllt wird. Falls der Ölstand die obere Grenzmarkierung übersteigt, könnte das Öl verunreinigt werden oder mit weißem Rauch in Brand geraten.

### Punkt 1 beim Ölwechsel: „Öldeckel“

- Entfernen Sie Staub und Schmutz um den Öleinfüllstutzen, und nehmen Sie den Öldeckel ab.
- Halten Sie den abgenommenen Öldeckel frei von Sand und Staub. Andernfalls kann am Öldeckel anhaftender Sand oder Staub eine abnormale Ölzirkulation oder einen Verschleiß der Motorteile und dadurch Probleme verursachen.

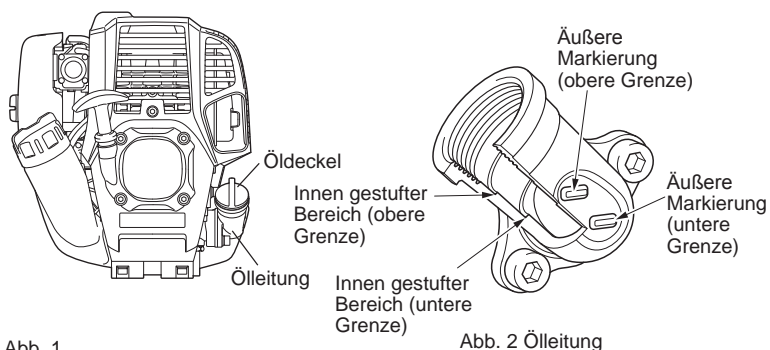
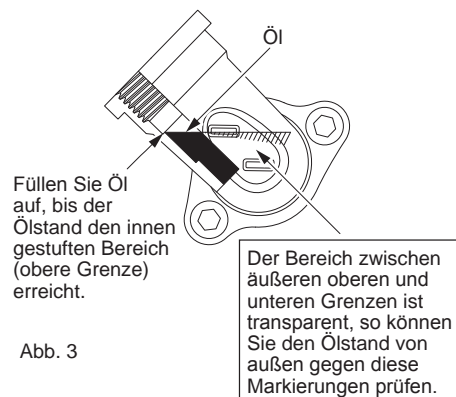


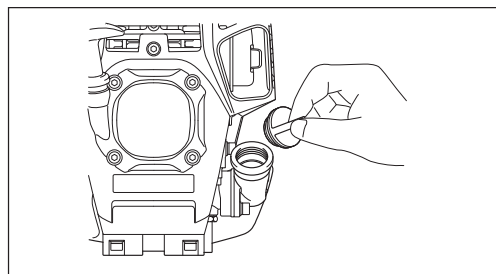
Abb. 1

Abb. 2 Ölleitung

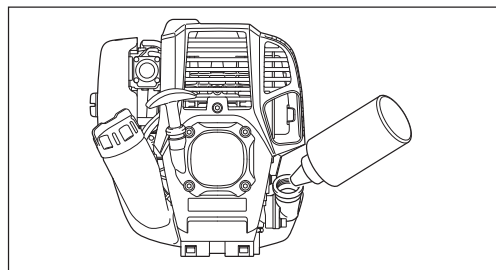
Abb. 3



- (1) Halten Sie den Motor waagrecht, und nehmen Sie den Öldeckel ab.



- (2) Füllen Sie das Öl bis zur oberen Grenzmarkierung ein. (siehe Abb. 3) Verwenden Sie beim Befüllen den Ölbehälter.



- (3) Drehen Sie den Öldeckel fest zu. Bei unzureichendem Festschrauben kann Öl auslaufen.

### Hinweis

- Füllen Sie Öl nicht in geneigter Position des Motors auf.
- Beim Auffüllen von Öl mit dem Motor in einer geeigneten Position wird zu viel Öl aufgefüllt, und es kann zu Ölverschmutzungen und/oder Ölnebelbildung kommen.

### Punkt 2 beim Ölwechsel: „Falls Öl ausläuft“

- Falls Öl zwischen Kraftstofftank und Motorenhauptblock ausläuft, wird das Öl über den Kühlluftfeinlass angesaugt, sodass der Motor verunreinigt wird. Vergewissern Sie sich, dass Sie vor dem Start des Betriebs alles ausgelaufene Öl abgewischt haben.

## BETANKEN

### Umgang mit Kraftstoff

Der Umgang mit Kraftstoff muss mit äußerster Sorgfalt erfolgen. Kraftstoffe können Substanzen enthalten, die wie Lösungsmittel wirken. Das Betanken muss in einem gut belüfteten Raum oder im Freien erfolgen. Atmen Sie Kraftstoffdämpfe nicht ein, und vermeiden Sie jeglichen Körperkontakt mit Kraftstoff. Durch anhaltenden oder wiederholten Hautkontakt wird die Haut trocken, und es kann zu Hauterkrankungen oder allergischen Reaktionen kommen. Falls Kraftstoff in die Augen gelangt, Augen sofort mit frischem Wasser spülen! Falls die Augenirritation anhält, suchen Sie einen Arzt auf.

Führen Sie die Betankung nur bei guten Lichtverhältnissen und auf einer stabilen Oberfläche durch.

### Aufbewahrungszeitraum von Kraftstoff

Der Kraftstoff sollte innerhalb eines Zeitraums von 4 Wochen verwendet werden, auch wenn er in einem speziellen Container an einem gut belüfteten, schattigen Ort gelagert wird.

Falls kein spezieller Kanister verwendet wird, oder falls der Kanister nicht verschlossen wird, kann der Kraftstoff innerhalb eines Tages zerfallen.

### AUFBEWAHREN DER MASCHINE UND DES KRAFTSTOFFKANISTERS

- Lagern Sie die Maschine und den Kraftstoffkanister an einem kühlen Ort ohne direkte Sonneneinstrahlung.
- Lagern Sie Kraftstoff niemals in der Zelle oder im Schlauch.

## Kraftstoff

Beim Motor handelt es sich um einen Viertaktmotor. Vergewissern Sie sich, dass Sie Fahrzeugbenzin (Normal- oder Super-Benzin) verwenden.

### Wichtige Punkte zum Kraftstoff

- Verwenden Sie niemals eine Benzinmischung, die Motoröl enthält. Andernfalls treten übermäßige Kohleablagerungen oder mechanische Probleme auf.
- Die Verwendung von zersetztem Öl führt zu einem ungleichförmigen Anlaufen.

## Betanken

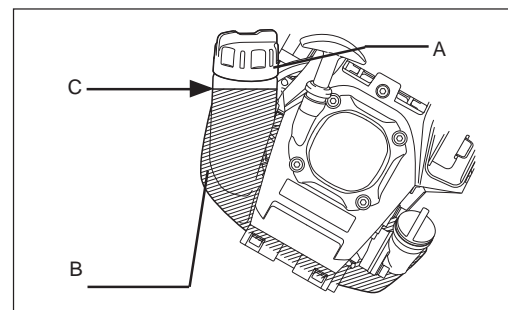
### WARNUNG: OFFENE FLAMMEN STRENGSTENS VERBOTEN

**ACHTUNG:** Vergessen Sie nicht, den Kraftstoff-Tankdeckel nach dem Betanken zu schließen. Starten sie den Motor niemals bei geöffnetem Tankdeckel.

**Verwendetes Benzin:** Fahrzeugbenzin (bleifreies Benzin)

1. Lösen Sie den Kraftstoff-Tankdeckel **(A)** ein wenig, um ein Überlaufen des Kraftstoffs zu verhindern.
2. Nehmen Sie den Tankdeckel ab. Neigen Sie den Motor so, dass der Nachfüllstutzen nach oben zeigt.
3. Befüllen Sie den Kraftstofftank **(B)** vorsichtig, damit darin befindliche Luft entweichen kann. (Befüllen Sie den Tank nicht über die obere Grenzmarkierung **(C)** hinaus.)
4. Wischen Sie um den Tankdeckel gut sauber, damit keine Fremdkörper in den Kraftstofftank eindringen können.
5. Schrauben Sie nach dem Betanken den Tankdeckel ordnungsgemäß fest.

- Falls der Tankdeckel Makel oder Beschädigungen aufweist, ersetzen Sie den Deckel.
- Der Tankdeckel nutzt sich im Lauf der Zeit ab. Ersetzen Sie den Tankdeckel alle zwei bis drei Jahre.



## WICHTIGE BETRIEBSSCHRITTE UND STOPPEN DES WERKZEUGS

### ACHTUNG:

Beachten Sie die geltenden Bestimmungen zur Unfallverhütung!

### HINWEIS:

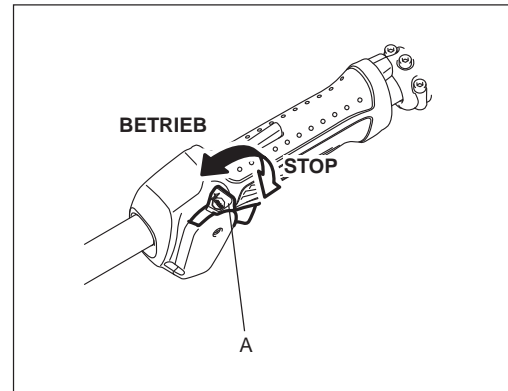
Entfernen Sie die Führungsschienenabdeckung, bevor Sie den Motor starten.

### STARTEN

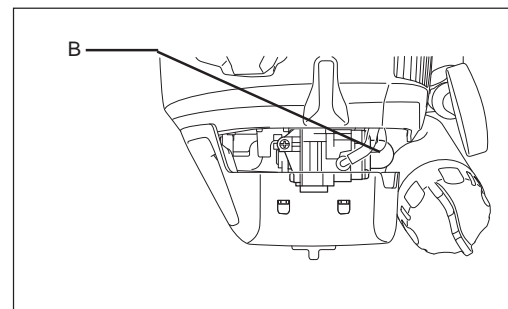
Bewegen Sie sich mindestens 3 m von dem Platz des Auftankens weg. Legen Sie das Werkzeug auf einem sauberen Untergrund ab und achten Sie darauf, dass der Aufsatz nicht in Kontakt mit dem Erdboden oder anderen Gegenständen kommt.

#### A: Kaltstart

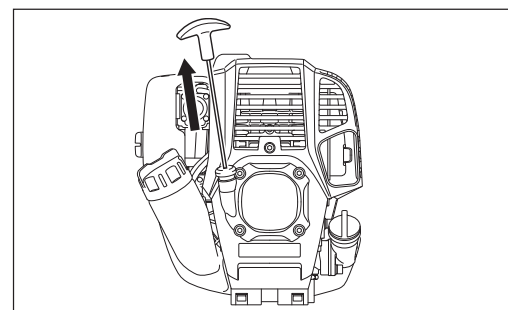
- 1) Legen Sie das Werkzeug auf einer ebenen Fläche ab.
- 2) Stellen Sie den I-O-Schalter **(1)** auf **BETRIEB**.



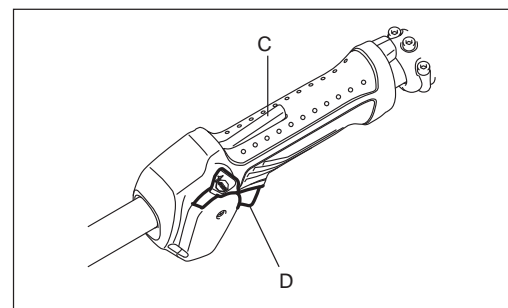
- 3) Anlasseinspritzpumpe  
Drücken Sie die Anlasseinspritzpumpe **(B)** so lange, bis Kraftstoff in die Anlasseinspritzpumpe eintritt.  
(Im Allgemeinen tritt Kraftstoff nach 7 bis 10 Pumpvorgängen in die Anlasseinspritzpumpe ein.)  
Falls die Anlasseinspritzpumpe zu lange betätigt wird, fließt überflüssiger Kraftstoff zurück in den Kraftstofftank.



- 4) Seilzugstarter  
Ziehen Sie langsam den Startergriff, bis dieser schwer zu ziehen ist (Verdichtungspunkt). Lassen Sie den Startergriff anschließend zurückwickeln und ziehen Sie den Startergriff nun kräftig durch.  
Ziehen Sie das Seil nie ganz bis zum Anschlag. Lassen Sie beim Ziehen den Startergriff niemals unvermittelt los. Halten Sie den Startergriff fest, bis der Startergriff in seine ursprüngliche Lage zurückgekehrt ist.



- 5) Der Griff verfügt über einen Entsperrungshebel **(C)**, um ein versehentliches Anlaufen zu verhindern. Greifen Sie zum Ziehen des Gashebels **(D)** den Griff, um die Sperre zu lösen (auf die Entsperrungstaste wird von Hand Druck ausgeübt).



- 6) Aufwärmbetrieb  
Der Aufwärmbetrieb sollte 2 bis 3 Minuten dauern.

Hinweis: Falls übermäßig Kraftstoff aufgenommen wird, entfernen Sie die Zündkerze und ziehen Sie den Startergriff langsam, um den übermäßigen Kraftstoff zu entfernen. Trocknen Sie außerdem die Elektroden der Zündkerze.

### Vorsichtsmaßnahmen bei Betrieb:

Wird der Gashebel im Betrieb ohne Last vollständig geöffnet, erhöht sich die Motordrehzahl auf 10.000 min<sup>-1</sup> oder mehr. Betreiben Sie den Motor nie mit einer höheren Geschwindigkeit als notwendig und bei etwa 6.000 - 8.500 min<sup>-1</sup>.

### B: Anlaufen nach dem Aufwärmbetrieb

- 1) Betätigen Sie mehrmals die Anlasseinspritzpumpe.
- 2) Halten Sie den Gashebel in der Leerlaufposition.
- 3) Ziehen Sie den Seilzugstarter kräftig durch.
- 4) Falls sich der Motor schwer starten lässt, öffnen Sie den Gashebel auf ca. 1/3. Achten Sie auf den Aufsatz, er könnte sich drehen.

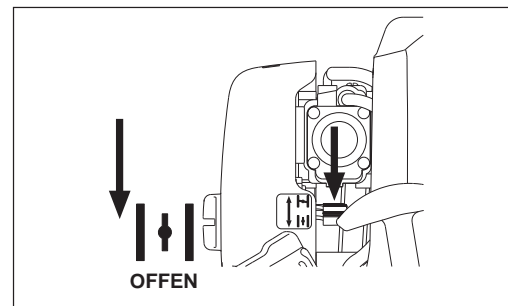
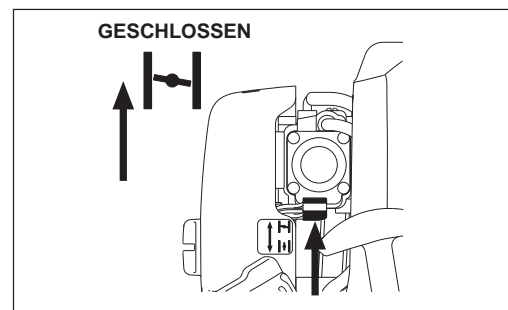
Manchmal, zum Beispiel im Winter, lässt sich der Motor schwer starten

Betätigen Sie beim Starten des Motors den Choke-Hebel wie folgt:

- Stellen Sie nach Ausführen der Schritte 1) bis 3) für den Start den Choke-Hebel auf die Position GESCHLOSSEN.
- Führen Sie Startschritt 4) aus, und starten Sie den Motor.
- Bringen Sie nach dem Starten des Motors den Choke-Hebel in die Position OFFEN.
- Führen Sie Startschritt 5) aus, und beenden Sie das Aufwärmen.

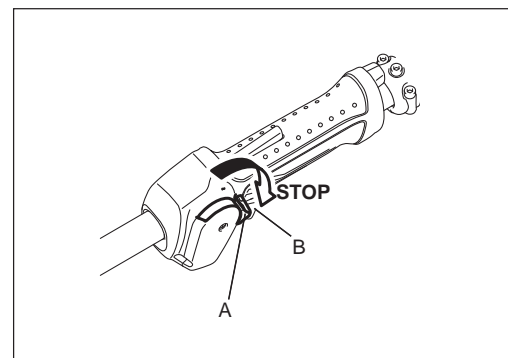
**ACHTUNG:** Falls Sie einen Knall (Explosionsgeräusch) hören und der Motor stoppt, oder der soeben gestartete Motor aus geht, bevor Sie den Choke-Hebel betätigen, bringen Sie den Choke-Hebel zurück in die Position OFFEN, und ziehen Sie den Startergriff einige weitere Male, um den Motor zu starten.

**ACHTUNG:** Falls der Choke-Hebel in der Position GESCHLOSSEN verbleibt und der Startergriff wiederholt gezogen wird, wird zu viel Kraftstoff angesaugt, und der Motor wird schwer zu starten sein.



### STOPPEN

- 1) Lassen Sie den Gashebel (**B**) vollkommen los, und bringen Sie, nachdem sich die Motordrehzahl verlangsamt hat, den I-O-Schalter (**A**) in die Position STOP, um den Motor zu stoppen.
- 2) Beachten Sie, dass der Aufsatz nicht sofort stoppt, und prüfen Sie, dass dieser von selbst langsamer wird.

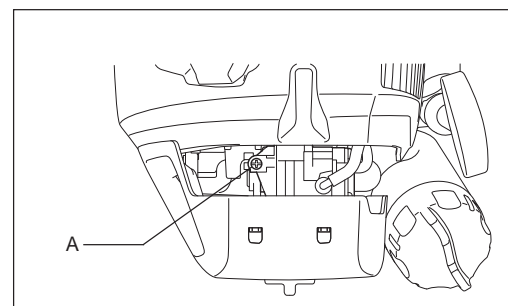


### EINSTELLEN DER LEERLAUFDREHZAH

Passen Sie die Leerlaufdrehzahl bei Bedarf mit Hilfe der Vergaser-Einstellschraube (**A**) an.

### ÜBERPRÜFEN DER LEERLAUFDREHZAH

- Stellen Sie die Leerlaufdrehzahl auf 3.000 min<sup>-1</sup> ein. Sollte es notwendig sein, die Drehzahl zu ändern, regulieren Sie diese mittels der Einstellschraube mit einem Phillips-Schraubendreher.
- Drehen Sie die Einstellschraube nach rechts, um die Motordrehzahl zu erhöhen. Drehen Sie die Einstellschraube nach links, um die Motordrehzahl zu verringern.
- Grundsätzlich wurde der Vergaser vor dem Versand eingestellt. Falls eine Neueinstellung erforderlich ist, wenden Sie sich bitte an ein autorisiertes Servicecenter.



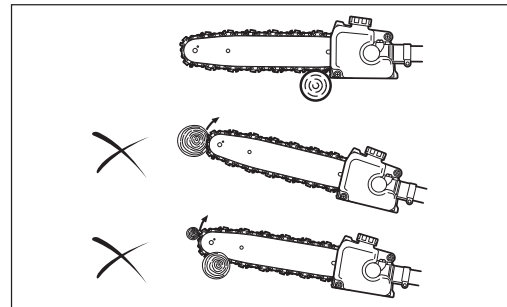
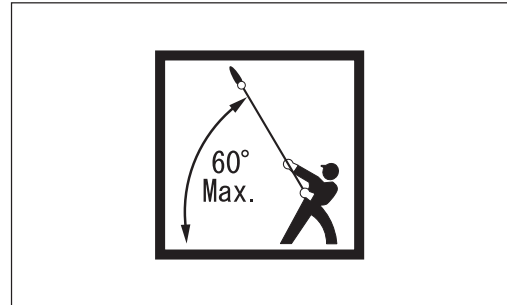
## BETRIEB

### Standposition

- Stehen Sie auf einer stabilen Oberfläche. Der Winkel des Hochentasters über dem waagerechten Boden sollte 60° betragen.
- Sägen Sie zuerst die unteren Äste, damit die Äste leichter fallen können.
- Halten Sie immer einen Fluchtweg frei, falls ein gesägter Ast in Richtung des Bedieners fällt.

### Methode

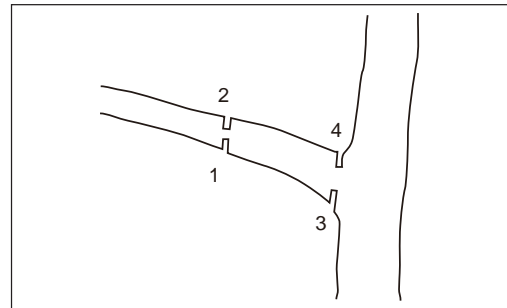
- Starten Sie den Motor und ziehen Sie den Gashebel, bis die Sägekette ihre volle Drehzahl erreicht hat.
- Drücken Sie die Sägekette leicht auf den Ast. Üben Sie keinen zu starken Druck auf das Werkzeug aus. Andernfalls kann es zu Schäden am Werkzeug kommen.
- Sägen Sie niemals mit der Schienenspitze. Andernfalls kann es zu einem gefährlichen Rückschlagen kommen, was zu Verletzungen führen kann.



### Tipps für das Sägen dicker Äste

Wenn Sie einen dicken Ast sägen, verwenden Sie die folgende Methode.

1. Sägen Sie in kurzem Abstand zum beabsichtigten Schnitt eine kleine Einkerbung in die Unterseite des Astes.
2. Sägen Sie den Ast an der eingekerbten Stelle von der Oberseite.
3. Sägen Sie eine weitere kleine Einkerbung in die Unterseite des Astes an der beabsichtigten Schnittstelle.
4. Führen Sie den beabsichtigten Schnitt von der Oberseite aus durch.



## WARTUNGSANWEISUNGEN

**ACHTUNG:** Stoppen Sie vor allen Arbeiten am Werkzeug den Motor und ziehen Sie den Zündkerzenstecker von der Zündkerze (siehe „Überprüfen der Zündkerze“) ab.

Tragen Sie immer Schutzhandschuhe!

Legen Sie das Werkzeug für Inspektions- und Wartungsarbeiten immer auf dem Boden ab. Beim Zusammenbauen oder Einstellen des Werkzeugs in aufrechter Position kann es zu schweren Verletzungen kommen.

Setzen Sie vor einer Wartung immer die Führungsschienenabdeckung auf.

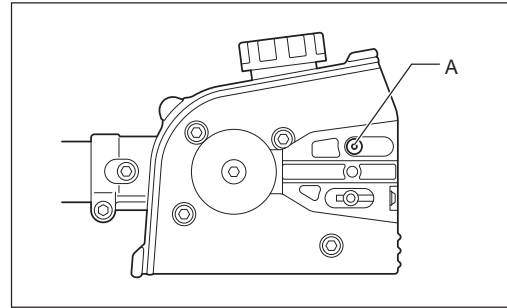
Führen Sie die folgenden Wartungsarbeiten regelmäßig durch, um eine lange Lebenszeit des Werkzeugs zu erzielen und Beschädigungen am Werkzeug zu vermeiden.

### Tägliche Inspektionen und Wartungsarbeiten

- Überprüfen Sie vor dem Betrieb das Werkzeug auf lose Schrauben und fehlende Teile. Achten Sie vor allem bei einem bestimmten Aufsatz auf eine sichere Montage.
- Überprüfen Sie vor jedem Betrieb, dass die Kühlluftdurchgänge und Zylinderlamellen nicht verstopft sind. Reinigen Sie diese bei Bedarf.
- Führen Sie die folgenden Arbeiten täglich nach der Verwendung durch:
  - Reinigen Sie das Werkzeug äußerlich und überprüfen Sie das Werkzeug auf Beschädigungen.
  - Reinigen Sie den Luftfilter. Wenn Sie unter sehr staubigen Bedingungen arbeiten, reinigen Sie den Filter mehrmals am Tag.
  - Prüfen Sie, dass der Abstand zwischen Leerlauf- und Betriebsdrehzahlen ausreichend ist, damit das Werkzeug bei Leerlauf des Motors im Stillstand ist (reduzieren Sie bei Bedarf die Leerlaufdrehzahl).  
Falls sich das Werkzeug während des Leerlaufs des Motors weiter dreht, wenden Sie sich an den nächsten autorisierten Servicehändler.
- Prüfen Sie den I-O-Schalter, den Entsperrungshebel und den Regelungshebel ordnungsgemäße Funktion.

## Reinigen der Öffnung für die Kettenölaufuhr

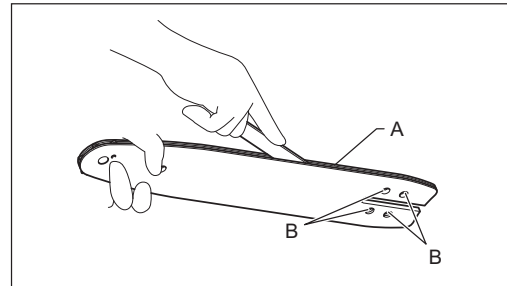
Reinigen Sie die Öffnung für die Kettenölaufuhr (A) täglich. Nehmen Sie Schienenhalter und Führungsschiene ab, um Zugang zur Öffnung für die Kettenölaufuhr zu erhalten.



## Reinigen und inspizieren der Führungsschiene

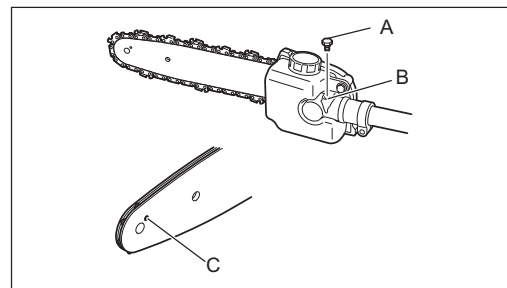
Reinigen Sie die Führungsschiene täglich. Entfernen Sie Sägemehl aus der Nut (A) und der Öffnung für die Kettenölaufuhr (B).

Wenden Sie die Führungsschiene bei jedem Austauschen oder Schärfen der Sägekette, damit die Führungsschiene nicht einseitig abgenutzt wird. Wenn die Nut abgenutzt, verbogen oder deformiert ist, tauschen Sie die Führungsschiene aus.



## Überprüfen der Sägekette

Wenn Sie der Ansicht sind, dass die Sägekette abgenutzt oder deformiert ist oder Risse aufweist, oder wenn der Kraftaufwand beim Sägen steigt, ziehen Sie eine neue Kette auf oder lassen Sie die Kette in Ihrem autorisierten Makita Servicecenter schärfen.



## Schmieren beweglicher Teile

**HINWEIS:** Folgen Sie den Anweisungen zur Häufigkeit und Menge der Schmierung. Durch unzureichende Schmierung können bewegliche Teile beschädigt werden.

Getriebegehäuse:

Entfernen Sie nach jeweils 25 Betriebsstunden den Schmiernippel (A) und füllen Sie ein lithiumhaltiges Schmierfett durch die Schmieröffnung (B) ein.

Spitze Führungsschiene:

Bringen Sie nach jeweils 10 Betriebsstunden ein Schmierfett (Shell Alvania Nr. 2 oder gleichwertiges) in die Schmieröffnung (C) ein.

## WECHSELN DES MOTORÖLS

Zersetztes Motorenöl verkürzt die Lebensdauer der gleitenden und rotierenden Teile in großem Maße. Nehmen Sie daher unbedingt in den angegebenen Zeitabständen einen Ölwechsel vor, und füllen Sie unbedingt die vorgegebene Menge an Frischöl ein.



**ACHTUNG:** Grundsätzlich bleibt der Hauptmotorblock und das Motoröl noch heiß, nachdem der Motor angehalten worden ist. Überprüfen Sie bei einem Ölwechsel, dass der Motorhauptblock und das Motorenöl ausreichend abgekühlt sind. Andernfalls besteht Verbrennungsgefahr.

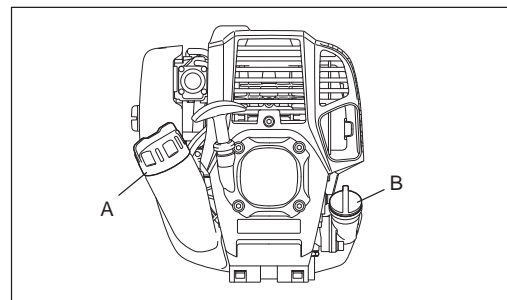
**Hinweis:** Falls zu viel Öl eingefüllt wird, kann das Öl verschmutzt werden oder mit weißem Rauch verbrennen.

**Wechselintervall:** Zu Beginn aller 20 Betriebsstunden und anschließend aller 50 Betriebsstunden.

**Empfohlenes Öl:** Öl der API-Klassifikation SAE 10W-30, Klasse SF oder höher (Viertaktmotor für Autos)

So führen Sie einen Ölwechsel aus:

- 1) Überprüfen Sie, dass der Kraftstoff-Tankdeckel (A) sicher festgezogen ist.
- 2) Stellen Sie einen Behälter ausreichender Größe (Auffangwanne, usw.) unter die Ablassöffnung (C).

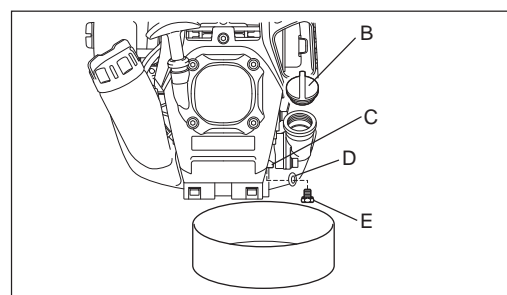


- 3) Lösen Sie die Ablassschraube (E) und entfernen Sie dann den Öldeckel (B), um das Öl aus der Ablassöffnung zu lassen.

Achten Sie dabei darauf, die Ablassschraubendichtung (D) nicht zu verlegen und die entfernten Komponenten auch nicht zu verschmutzen.

- 4) Nachdem alles Öl abgelassen wurde, setzen Sie die Dichtung wieder auf die Ablassschraube auf, und ziehen Sie die Ablassschraube fest, so dass sich diese nicht löst und ein Leck verursacht.

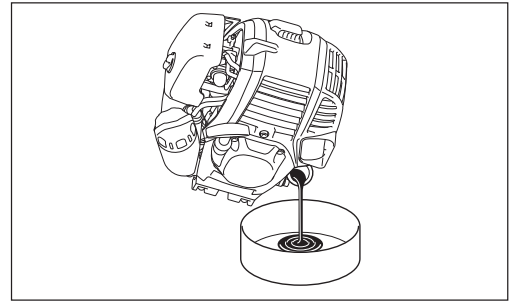
\* Wischen Sie an Schraube und Maschine anhaftendes Öl mit einem Tuch ab.



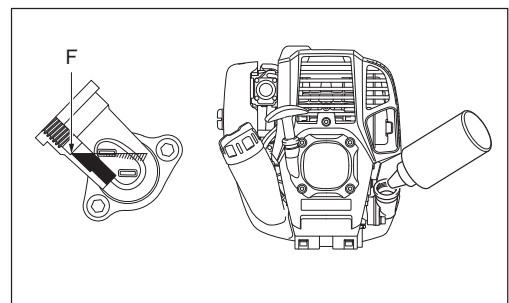
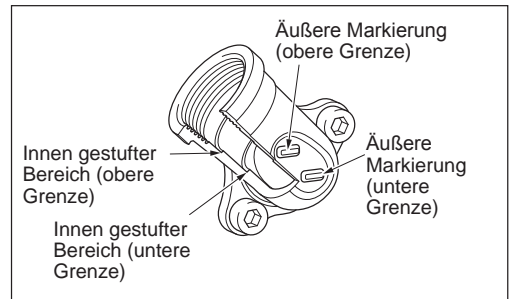


#### Alternative Ablassmethode

Nehmen Sie den Öldeckel ab, neigen Sie das Werkzeug in Richtung Ölfüllöffnung, und lassen Sie das Öl ab. Sammeln Sie das Öl in einem Behälter.



- 5) Legen Sie den Motor waagrecht ab, und füllen Sie nach und nach Frischöl bis zur oberen Grenzmarkierung (**F**) auf.
- 6) Setzen Sie nach dem Befüllen den Öldeckel wieder fest auf, sodass sich dieser nicht löst und ein Leck verursacht. Ist der Öldeckel nicht fest gesichert, kann Öl auslaufen.



#### WICHTIGE PUNKTE ZUM ÖL

- Entsorgen Sie Altöl niemals über den Hausmüll, in die Erde oder in Abwassersysteme. Die Altöleentsorgung ist gesetzlich geregelt. Halten Sie bei der Entsorgung stets die entsprechenden Gesetze und Bestimmungen ein. Wenden Sie sich bei Unklarheiten an einen autorisierten Servicehändler.
- Öl zersetzt sich auch dann, wenn es aufbewahrt wird, ohne verwendet zu werden. Führen Sie regelmäßig eine Überprüfung und einen Ölwechsel durch (Ölwechsel alle 6 Monate).

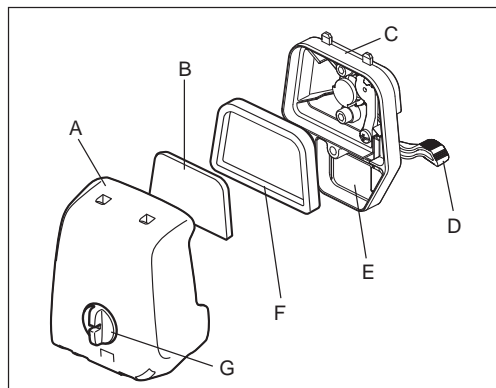
## REINIGEN DES LUFTFILTERS



**GEFAHR: OFFENE FLAMMEN STRENGSTENS VERBOTEN**

**Reinigungs- und Inspektionsintervall: Täglich (alle 10 Betriebsstunden)**

- Drehen Sie den Choke-Hebel (**D**) vollständig zu, und halten Sie den Vergaser fern von Staub und Schmutz.
- Lösen Sie die Halteschraube (**G**).
- Nehmen Sie die Luftfilterabdeckung (**A**) ab, indem Sie seine Unterseite ziehen.
- Entnehmen Sie die Filterelemente (**B**) (**F**) und klopfen Sie den Schmutz aus den Einsätzen.
- Falls die Filterelemente stark verschmutzt sind:  
Entnehmen Sie die Filterelemente, tauchen Sie diese in warmes Wasser oder in Wasser mit verdünntem neutralen Reinigungsmittel und lassen Sie die Filtereinsätze anschließend vollständig trocknen. Drücken und schrubben Sie die Filtereinsätze beim Reinigen nicht.
- Lassen Sie die Filterelemente vollständig trocknen, bevor Sie diese wieder einbauen. Bei unzureichender Trocknung der Filterelemente können Schwierigkeiten beim Starten des Motors auftreten.
- Wischen Sie anhaftendes Öl um die Luftreinigerabdeckung und die Entlüftung (**E**) mit einem Putzlappen ab.
- Setzen Sie den Filterelemente (Schwamm) (**B**) in den Filterelemente (Filz) (**F**). Setzen Sie die Filterelemente so in die Platte (**C**) ein, dass der Schwamm zur Luftfilterabdeckung zeigt.
- Bringen Sie die Reinigerabdeckung unverzüglich an, und sichern Sie diese mit Halteschrauben. (Bringen Sie bei der Wiedermontage zuerst die obere Klemme und dann die untere Klemme wieder an.)



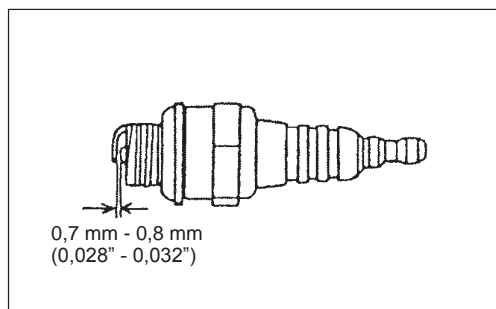
### HINWEIS:

- Reinigen Sie die Filterelemente mehrere Male am Tag, falls übermäßig Staub anhaftet. Verschmutzte Filterelemente führen zum Absinken der Motorleistung und erschweren das Starten des Motors.
- Entfernen Sie Öl von den Filterelemente. Falls der Betrieb mit överschmutzten Filterelemente fortgesetzt wird, kann Öl aus dem Luftfilter austreten und zu einer Ölverschmutzung führen.
- Legen Sie die Filterelemente nicht auf den Boden oder an einen verschmutzten Ort. Andernfalls können anhaftender Staub oder Schmutz Schäden am Motor verursachen.
- Verwenden Sie niemals Kraftstoffe zum Reinigen der Filterelemente. Die Filtereinsätze können durch Kraftstoff beschädigt werden.

## ÜBERPRÜFEN DER ZÜNDKERZE

- Schrauben Sie die Zündkerze ausschließlich mit dem mitgelieferten Universalschlüssel heraus- und ein.
- Der Abstand zwischen den Elektroden der Zündkerze muss zwischen 0,7 und 0,8 mm liegen. Wenn der Abstand zu klein oder zu groß ist, korrigieren Sie den Abstand. Falls die Zündkerze verschmutzt oder verstopft ist, reinigen Sie diese gründlich oder ersetzen Sie sie.

**ACHTUNG:** Berühren Sie bei laufendem Motor niemals den Zündkerzenstecker (Gefahr eines Hochspannungsschlags).



## REINIGEN DES KRAFTSTOFFFILTERS

### WARNUNG: OFFENE FLAMMEN STRENGSTENS VERBOTEN

Reinigungs- und Inspektionsintervall: Monatlich (alle 50 Betriebsstunden)

#### Ansaugkopf im Kraftstofftank

Überprüfen Sie den Kraftstofffilter **(A)** regelmäßig. Führen Sie die unten genannten Schritte aus, um den Kraftstofffilter zu überprüfen:

(1) Nehmen Sie den Kraftstoff-Tankdeckel ab und lassen Sie den Kraftstoff ab, bis der Tank leer ist. Überprüfen Sie das Tankinnere auf Fremdkörper. Entfernen Sie diese, falls vorhanden.

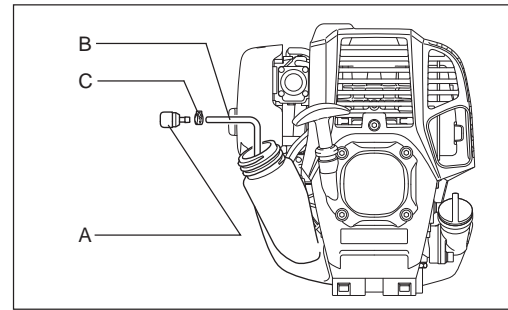
(2) Ziehen Sie mit Hilfe eines Drahthakens den Ansaugkopf durch die Tanköffnung.

(3) Wenn der Kraftstofffilter leicht verschmutzt ist, reinigen Sie den Kraftstofffilter. Reinigen Sie den Kraftstofffilter, indem Sie ihn in Kraftstoff schütteln und ausklopfen. Drücken oder reiben Sie den Filter nicht, da der Filter dadurch beschädigt werden könnte. Der für das Reinigen verwendete Kraftstoff muss entsprechend der örtlich geltenden Gesetze und Bestimmungen entsorgt werden.

Wenn der Kraftstofffilter verhärtet oder stark verstopft ist, tauschen Sie den Filter aus.

(4) Setzen Sie den Kraftstofffilter nach dem Überprüfen, Reinigen oder Austauschen in die Kraftstoffleitung **(B)** ein und befestigen Sie ihn mit der Schlauchklemme **(C)**. Drücken Sie den Kraftstofffilter ganz bis auf den Boden des Kraftstofftanks.

Ein verstopfter oder beschädigter Kraftstofffilter kann zu einer unzureichenden Zufuhr von Kraftstoff und zu einem Absinken der Motorleistung führen. Tauschen Sie den Kraftstofffilter mindestens alle 3 Monate aus, damit die Zufuhr von ausreichend Kraftstoff zum Vergaser sichergestellt ist.



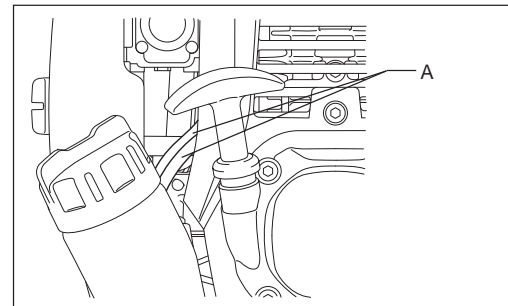
## AUSTAUSCHEN DER KRAFTSTOFFLEITUNG

### ACHTUNG: OFFENE FLAMMEN STRENGSTENS VERBOTEN

Reinigungs- und Inspektionsintervall: Täglich (alle 10 Betriebsstunden)

Austausch: Jährlich (alle 200 Betriebsstunden)

Tauschen Sie die Kraftstoffleitung **(A)** jedes Jahr aus, unabhängig von der Häufigkeit des Betriebs. Kraftstofflecks können einen Brand verursachen. Falls Sie bei der Inspektion ein Leck entdecken, tauschen Sie die Kraftstoffleitung sofort aus.



## INSPEKTION VON SCHRAUBEN UND MUTTERN

- Ziehen Sie lose Schrauben, Muttern usw. wieder fest.
- Prüfen Sie auf Kraftstoff- und Ölleckagen.
- Tauschen Sie beschädigte Bauteile durch neue aus, damit ein sicherer Betrieb gegeben ist.

## REINIGEN VON BAUTEILEN

- Halten Sie den Motor stets sauber.
- Halten Sie die Zylinderlamellen frei von Sand und Staub. An den Lamellen anhaftender Staub und Schmutz kann zu einem Festfressen des Kolbens führen.

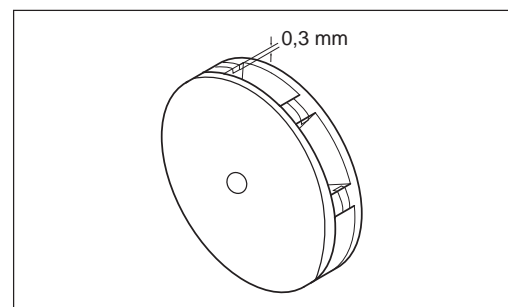
## AUSTAUSCHEN VON DICHTUNGEN

Vergewissern Sie sich bei der Wiedermontage des Motors, dass Sie die Dichtungen und Dichtungsmassen durch neue ersetzen.

Alle Wartungsarbeiten oder Einstellungen, die in diesem Handbuch nicht beschrieben wurden, müssen von autorisierten Servicezentren durchgeführt werden.

## INSPEKTION DES KETTENRADS

Überprüfen Sie das Kettenrad nach jeweils 50 Betriebsstunden auf Verschleiß. Wenn die Verschleißmarke 0,3 mm erreicht hat oder noch tiefer ist, tauschen Sie das Kettenrad aus.



## Schärfen der Sägekette

### Die Sägekette schärfen, wenn:

- mehligte Sägespäne beim Sägen von feuchtem Holz entstehen,
- die Sägekette auch bei stärkerem Druck nur mühevoll ins Holz zieht,
- die Schnittkante sichtbar beschädigt ist,
- die Säge im Holz einseitig nach links oder rechts verläuft. Die Ursache hierfür liegt in einer ungleichmäßigen Schärfung der Sägekette oder in einer einseitigen Beschädigung.

### Schärfen Sie die Sägekette häufig, aber entfernen Sie dabei nur wenig Material.

Für das einfache Nachschärfen genügen meist zwei bis drei Feilenstriche. Lassen Sie nach mehrmaligem Schärfen die Sägekette in einem von MAKITA autorisierten Servicecenter nachschärfen.

### Schärfkriterien:

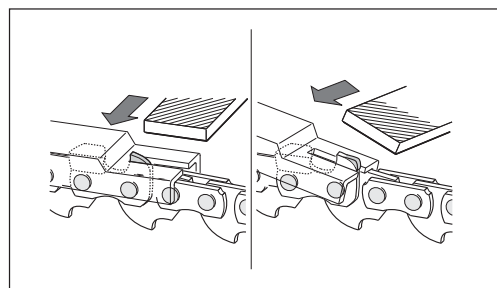
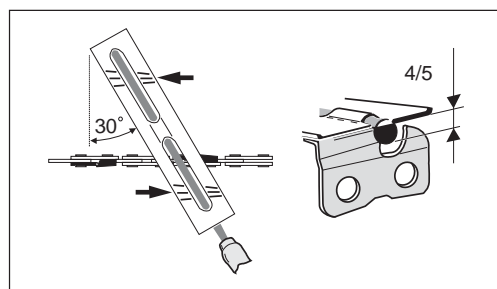
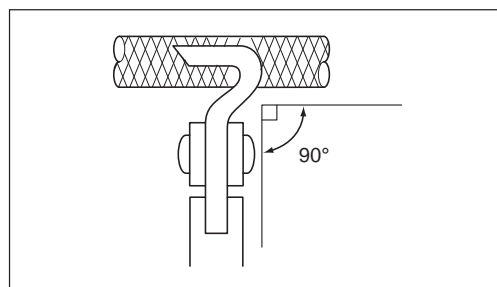
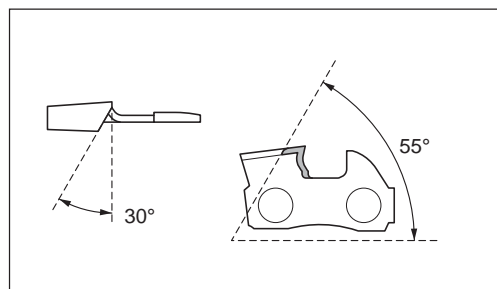
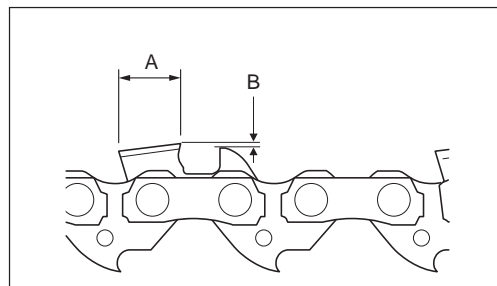
- Die Höhe aller Hobelzähne (**A**) muss gleich sein. Verschieden hohe Hobelzähne verursachen einen rauen Kettenlauf und können zum Kettenriss führen.
- Die Spandicke wird durch den Abstand zwischen dem Tiefenanschlag (runde Nase) und der Schnittkante (**B**) bestimmt.
- Die besten Schnittergebnisse werden durch den folgenden Abstand zwischen der Schnittkante und dem Tiefenanschlag erzielt.  
Kettenblatt 91VXL: 0,64 mm

**⚠️ WARNUNG:** Ein zu großer Abstand erhöht die Rückschlaggefahr.

- Der Schärfwinkel von 30° muss bei allen Hobelzähnen gleich sein. Unterschiedliche Winkel verursachen einen rauen, ungleichmäßigen Kettenlauf, führen zu vorzeitigem Verschleiß und zum Kettenbruch.
- Der Brustwinkel des Hobelzahnes wird durch die Eindringtiefe der Rundfeile bestimmt. Wenn die vorgeschriebene Feile richtig geführt wird, ergibt sich der korrekte Brustwinkel automatisch.
- Der richtige Winkel für jede Sägekette beträgt:  
Kettenblatt 91VXL: 55°

### Feile und Feilenführung

- Verwenden Sie zum Schärfen eine Spezial-Sägekettenrundfeile (optionales Zubehör). Normale Rundfeilen sind nicht geeignet.
- Der Durchmesser der Rundfeile für jede Sägekette beträgt:  
Kettenblatt 91VXL: 4,0 mm
- Die Feile sollte nur im Vorwärtsstrich in den Hobelzahn greifen. Beim Zurückführen die Feile vom Hobelzahn abheben.
- Schärfen Sie den kürzesten Hobelzahn zuerst. Dann wird die Länge des kürzesten Hobelzahns zum Richtwert für alle anderen Hobelzähne auf der Sägekette.
- Führen Sie die Feile wie abgebildet.
- Ein Feilenhalter (optionales Zubehör) erleichtert die Feilenführung. Er besitzt Markierungen für den korrekten Schärfwinkel von 30° (Markierungen parallel zur Sägekette ausrichten) und begrenzt die Eindringtiefe (4/5 des Feilendurchmessers).
- Nach dem Nachschärfen der Sägekette die Höhe des Tiefenanschlags mit der Kettenmesslehre (optionales Zubehör) prüfen.
- Entfernen Sie jeglichen Überstand, auch wenn noch so gering, mit einer Spezial-Flachfeile (optionales Zubehör).
- Runden Sie den Tiefenanschlag vorne wieder ab.

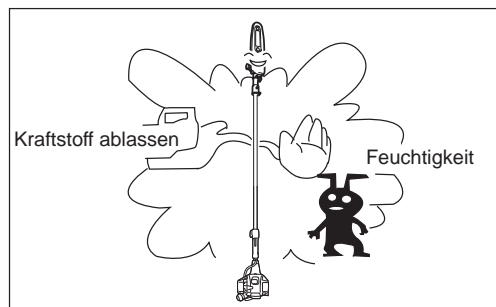




**WARNUNG: Denken Sie beim Ablassen von Kraftstoff daran, den Motor anzuhalten und vergewissern Sie sich, dass der Motor abgekühlt ist. Der Motor ist kurz nach dem Anhalten noch heiß. Warten Sie, bis er abgekühlt ist. Andernfalls kann es zu Verbrennungen oder zum Brand kommen.**

Wenn Sie die Maschine längere Zeit nicht verwenden, führen Sie die folgenden Schritte durch:

- Gehen Sie zum Ablassen des Kraftstoffs aus dem Tank wie folgt vor:
  - 1) Entfernen Sie den Kraftstoff-Tankdeckel und lassen Sie den Kraftstoff vollständig ab. Entfernen Sie ggf. im Kraftstofftank zurückbleibende Fremdkörper.
  - 2) Ziehen Sie den Kraftstofffilter mit einem Draht aus dem Nachfüllstutzen.
  - 3) Drücken Sie die Ansaugpumpe, bis der Kraftstoff von hier abgeleitet wurde und leiten Sie den Kraftstoff in den Kraftstofftank ab.
  - 4) Setzen Sie den Filter wieder in den Kraftstofftank ein, und ziehen Sie den Tankdeckel sicher fest.
  - 5) Betreiben Sie den Motor, bis er stehenbleibt.
- Lassen Sie das Kettenöl ab.
- Nehmen Sie Sägekette und Führungsschiene ab.
- Reinigen Sie die Führungsnut der Führungsschiene.
- Schmieren Sie die Sägekette und Führungsschiene sparsam.
- Schrauben Sie die Zündkerze heraus, und geben Sie einige wenige Tropfen Öl in die Zündkerzenöffnung.
- Ziehen Sie anschließend den Startergriff leicht, sodass das Öl über die Innenseite des Zylinders verteilt wird, und schrauben Sie dann die Zündkerze wieder ein.
- Lagern Sie das Gerät grundsätzlich in waagerechter Position. Ist dies nicht möglich, platzieren Sie das Gerät so, dass sich der Motorblock unter dem Schneidwerkzeug befindet. Andernfalls kann Öl aus dem Inneren des Motors austreten.
- Achten Sie immer darauf, dass das Gerät an einem sicheren Ort gelagert wird, damit es nicht zu Schäden am Gerät oder Verletzungen von Personen kommt.
- Bewahren Sie den abgelassenen Kraftstoff in einen zugelassenen Behälter an einem gut belüfteten und schattigen Ort auf.



### Maßnahmen nach einer längeren Lagerung

- Wenn Sie das Werkzeug nach einer langen Lagerperiode wieder in Betrieb nehmen, nehmen Sie unbedingt einen Motorölwechsel vor (siehe „WECHSELN DES MOTORÖLS“). Öl zersetzt sich, auch wenn das Werkzeug nicht verwendet wird.

### Problemebehebung

Problem	System	Beobachtung	Ursache
Motor startet nicht oder nur mit Schwierigkeiten	Zündsystem	Zündfunke OK	Fehler in der Kraftstoffzufuhr oder im Verdichtungssystem, mechanischer Defekt
		Kein Zündfunke	STOPP-Schalter betätigt, Verdrahtung fehlerhaft oder kurzgeschlossen, Zündkerze oder Zündkerzenstecker defekt, Zündmodul fehlerhaft
	Kraftstoffzufuhr	Kraftstofftank gefüllt	Falsche Choke-Position, Vergaser defekt, Kraftstoff-Zufuhrleitung verbogen oder blockiert, Kraftstoff verschmutzt
	Verdichtung	Keine Verdichtung beim Durchziehen	Zylinderkopfdichtung defekt, Kurbelwellendichtungen beschädigt, Zylinder oder Kolbenringe defekt oder ungeeignete Dichtung an der Zündkerze
Probleme bei Warmstart	Mechanischer Fehler	Starter greift nicht ein	Gebrochene Starterfeder, gebrochene Teile innerhalb des Motors
		Tank gefüllt, Zündfunke vorhanden	Vergaser verschmutzt, wurde gereinigt
Motor startet, geht jedoch gleich wieder aus	Kraftstoffzufuhr	Tank gefüllt	Falsche Leerlaufeinstellung, Vergaser verschmutzt Kraftstoff-Tankentlüftung verstopft, Kraftstoff-Zufuhrleitung unterbrochen, Kabel oder STOPP-Schalter defekt
Unzureichende Leistung	Möglicherweise sind mehrere Systeme gleichzeitig betroffen	Motorleerlaufdrehzahl zu niedrig	Luftfilter verschmutzt, Vergaser verschmutzt, Schalldämpfer verstopft, Auslasskanal im Zylinder verstopft

Betriebsdauer Position		Vor Betrieb	Nach Schmierung	Täglich (10 h)	25 h	50 h	200 h	Abschalten/ Ruhe
Gesamtes Werkzeug	Sichtprüfung	○						
Motoröl	Inspizieren	○						
	Ersetzen					○*1		
Festziehen von Bauteilen (Schraube, Mutter)	Inspizieren	○						
Kraftstofftank	Inspizieren	○						
	Kraftstoff ablassen							○*3
Gashebel	Funktion überprüfen	○	○					
Stopschalter	Funktion überprüfen	○	○					
Leerlaufdrehzahl	Inspizieren/Einstellen			○				
Luftfilter	Reinigen			○				
Zündkerze	Inspizieren			○				
Kühlluftkanal	Reinigen/Inspizieren			○				
Kraftstoffleitung	Inspizieren			○				
	Ersetzen						⊙*2	
Kraftstofffilter	Reinigen/Ersetzen					○		
Ventilspiel (Einlass- und Auslassventil)	Inspizieren/Einstellen						⊙*2	
Überholung Motor							⊙*2	
Vergaser	Kraftstoff ablassen							○*3
Öffnung für Kettenölaufuhr	Reinigen			○				
Führungsschiene	Reinigen der Nut und der Öffnung für die Kettenölaufuhr			○				
	Inspizieren			○				
	Schmieren			○				
Getriebegehäuse	Schmieren				○			
Kettenrad	Inspizieren					○		
Sägekette	Austauschen oder schärfen lassen							○*4

\*1 Nehmen Sie den ersten Wechsel nach 20 Betriebsstunden vor.

\*2 Wenden Sie sich für die Inspektion nach 200 Betriebsstunden an ein autorisiertes Servicecenter.

\*3 Setzen Sie nach dem Leeren des Kraftstofftanks den Betrieb des Motors fort, damit der Vergaser geleert wird.

\*4 Falls erforderlich.

## FEHLERBEHEBUNG

Überprüfen Sie ein Problem selbst, bevor Sie eine Reparatur anfordern. Falls eine Anomalität auftritt, kontrollieren Sie die Maschine anhand der Beschreibung in diesem Handbuch. Gebrauchen Sie die Maschine und ihre Bauteile niemals zweckentfremdet, setzen Sie keine Bauteile außer Funktion und demontieren Sie Teile ausschließlich wie in dieser Anleitung erläutert. Wenden Sie sich zwecks Reparaturen an ein autorisiertes Servicecenter oder einen Händler vor Ort.

Anomalität	Mögliche Ursache (Fehlfunktion)	Abhilfe
Motor startet nicht	Anlasseinspritzpumpe nicht betätigt.	Drücken Sie 7 bis 10 mal.
	Starterseil wird zu langsam gezogen.	Ziehen Sie kräftig.
	Kraftstoffmangel.	Führen Sie Kraftstoff zu.
	Verstopfter Kraftstofffilter.	Reinigen Sie ihn.
	Getrennte Kraftstoffleitung	Schließen Sie die Kraftstoffleitung richtig an.
	Verbogene Kraftstoffleitung.	Begradigen Sie die Kraftstoffleitung.
	Überalterter Kraftstoff.	Überalterter Kraftstoff erschwert den Startvorgang. Ersetzen Sie den Kraftstoff durch neuen. (Empfohlenes Austauschintervall: 1 Monat)
	Übermäßige Kraftstoffansaugung.	Stellen Sie den Gashebel von mittlerer Drehzahl auf hohe Drehzahl ein und ziehen Sie den Startergriff, bis der Motor startet. Sobald der Motor startet, beginnt die Rotation der Sägekette. Achten Sie auf die Sägekette. Falls der Motor immer noch nicht startet, entfernen Sie die Zündkerze, trocknen Sie die Elektrode ab und montieren Sie sie wieder wie vorher. Starten Sie dann den Motor wie erläutert.
	Zündkerzenstecker gelöst.	Fest Anbringen.
	Verschmutzte Zündkerze.	Reinigen Sie ihn.
	Anomaler Abstand der Zündkerzenelektroden.	Stellen Sie den Abstand ein.
	Andere Anomalität der Zündkerze.	Ersetzen Sie sie.
	Anomaler Vergaser.	Fordern Sie eine Inspektion und Wartung an.
Starterseil kann nicht gezogen werden.	Fordern Sie eine Inspektion und Wartung an.	
Anomales Antriebssystem.	Fordern Sie eine Inspektion und Wartung an.	
Motor stoppt gleich wieder Motordrehzahl erhöht sich nicht	Unzureichendes Aufwärmen.	Führen Sie einen Aufwämbetrieb durch.
	Choke-Hebel ist auf „GESCHLOSSEN“ eingestellt, obwohl der Motor vorgewärmt wurde.	Stellen Sie den Hebel auf „OFFEN“ ein.
	Verstopfter Kraftstofffilter.	Reinigen Sie ihn.
	Verschmutzter oder verstopfter Luftfilter.	Reinigen Sie ihn.
	Anomaler Vergaser.	Fordern Sie eine Inspektion und Wartung an.
Anomales Antriebssystem.	Fordern Sie eine Inspektion und Wartung an.	
Es wird kein Kettenöl zugeführt.	Der Öltank ist leer.	Füllen Sie den Öltank mit Kettenöl auf.
	Die Öffnung für die Kettenölaufuhr ist verschmutzt.	Reinigen Sie die Öffnung für die Kettenölaufuhr am Aufsatz und an der Führungsschiene.
	Die Einstellschraube für die Kettenöl-Zufuhrmenge ist falsch eingestellt.	Stellen Sie die Einstellschraube in die richtige Position.
Die Sägekette dreht sich nicht ↓ Motor sofort stoppen	Die Führungsschiene ist verbogen oder beschädigt.	Tauschen Sie die Führungsschiene aus.
	Fremdkörper sind in der Sägekette verfangen.	Entfernen Sie die Fremdkörper bei ausgeschaltetem Motor.
Das Werkzeug vibriert unnormal ↓ Motor sofort stoppen	Anomales Antriebssystem.	Fordern Sie eine Inspektion und Wartung an.
	Gebrochene, verbogene oder abgenutzte Führungsschiene.	Tauschen Sie die Führungsschiene aus.
	Lockere Sägekette.	Stellen Sie die Kettenspannung ein.
Die Sägekette stoppt nicht ↓ Motor sofort stoppen	Anomales Antriebssystem.	Fordern Sie eine Inspektion und Wartung an.
	Zu hohe Leerlaufdrehzahl.	Stellen Sie die Leerlaufdrehzahl richtig ein.
	Problem mit der Gashebelleitung.	Wenden Sie sich zum Austauschen defekter Teile an Ihr autorisiertes Servicecenter.
Motor stoppt nicht ↓ Betreiben Sie den Motor im Leerlauf und stellen Sie den Choke-Hebel auf GESCHLOSSEN	Anomales Antriebssystem.	Fordern Sie eine Inspektion und Wartung an.
	Lose Verbindung mit dem I-O-Schalter.	Fest Anbringen.
	Anomales Elektriksystem.	Fordern Sie eine Inspektion und Wartung an.

Wenn der Motor nach dem Aufwärmen nicht startet:

Falls bei den überprüften Elementen eine Anomalität auftritt, bringen Sie den Gashebel auf 1/3 und starten Sie den Motor.

Complimenti per l'acquisto della presente sega per potatura a benzina con asta telescopica MAKITA. Siamo lieti di consigliare la sega per potatura a benzina con asta telescopica MAKITA, risultato di un lungo programma di sviluppo e di molti anni di esperienza e conoscenza.

Vi invitiamo a leggere le varie sezioni del presente opuscolo per comprendere in dettaglio le eccellenti prestazioni dell'utensile. In questo modo sarà possibile ottenere i migliori risultati possibili dalla sega per potatura a benzina con asta telescopica MAKITA.



Sommario	Pagina
Simboli.....	80
Istruzioni di sicurezza.....	81
Dati tecnici.....	87
Designazione delle parti.....	88
Montaggio e regolazione.....	89
Prima dell'avviamento.....	93
Informazioni utili sul funzionamento e sull'arresto.....	95
Uso.....	97
Istruzioni per la manutenzione.....	97
Stoccaggio.....	103

## SIMBOLI

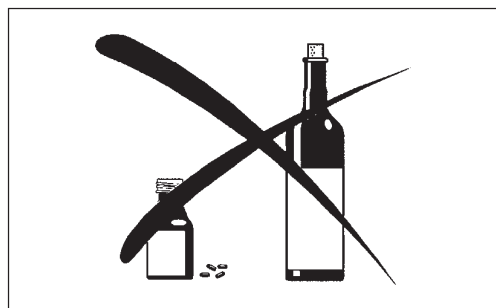
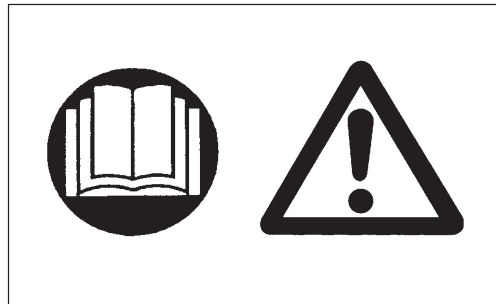
Nelle presenti istruzioni per l'uso vengono utilizzati i seguenti simboli.

	Leggere e rispettare le avvertenze e le norme di sicurezza riportate nelle istruzioni per l'uso!		Non sono ammesse fiamme libere!
	Prestare particolare cura e attenzione!		Olio per catena.
	Indossare il casco di protezione e i dispositivi di protezione per occhi e orecchie.		Allontanare persone e animali dall'area di lavoro!
	Indossare guanti di protezione!		Carburante (benzina)
	Indossare calzature pesanti con soles antiscivolo.		Avviamento manuale del motore.
	Mantenere una distanza di almeno 15 m tra l'utensile e gli osservatori e/o le linee elettriche (compresi i rami a contatto con tali linee). Pericolo di folgorazione e/o lesioni personali.		Primo soccorso
	Non tenere la sega per potatura con un'angolazione superiore a 60°.		ACCENSIONE/AVVIAMENTO
	Velocità della catena.	○	SPEGNIMENTO/ARRESTO
	Vietato!		Arresto di emergenza
	Vietato fumare!		



## Istruzioni generali

- Per garantire il corretto funzionamento, leggere le presenti istruzioni per l'uso per acquisire dimestichezza con l'apparecchio. Eventuali lacune possono favorire un uso improprio dell'utensile, mettendo in pericolo l'operatore e altre persone.
- Si consiglia di concedere in prestito l'apparecchio solo a persone che si siano rivelate esperte nell'uso dell'apparecchio. Consegnare sempre anche le istruzioni per l'uso.
- Gli operatori inesperti dovrebbero richiedere al rivenditore le istruzioni di base per familiarizzare con l'uso di un utensile da taglio a motore.
- L'apparecchio non deve essere utilizzato da bambini e persone con meno di 18 anni. Le persone con almeno 16 anni compiuti possono tuttavia utilizzare l'apparecchio a fini di addestramento, sempre sotto la supervisione di un istruttore qualificato.
- Utilizzare gli utensili con la massima cura e attenzione.
- Utilizzare l'apparecchio solo se si è in buone condizioni fisiche. Eseguire il lavoro con calma e attenzione. L'utilizzatore deve accettare la responsabilità nei confronti di terzi.
- Non utilizzare l'apparecchio sotto l'effetto di alcool o droghe ovvero se ci si sente affaticati o se si è ammalati.
- Non cercare di modificare l'apparecchio.
- La legislazione nazionale potrebbe limitare l'utilizzo dell'apparecchio. Attenersi alle normative del proprio paese sull'uso delle seghe per potatura e delle motoseghe a catena.

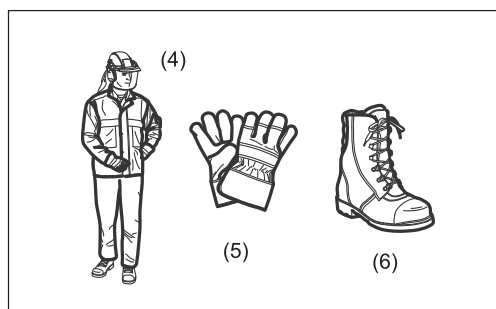
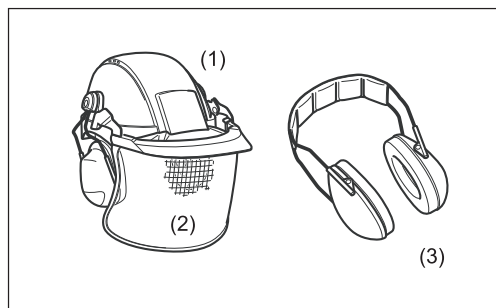


## Uso previsto dell'utensile

L'apparecchio è pensato solo per la potatura di rami con un diametro inferiore a 15 cm. Non utilizzare l'apparecchio per altri scopi. Un uso improprio dell'apparecchio può causare gravi infortuni.

## Dispositivi di protezione personale

- L'abbigliamento indossato deve essere funzionale e adeguato, ovvero aderente ma senza causare impedimenti. Non indossare gioielli o abiti che potrebbero rimanere impigliati in cespugli o arbusti.
- Per evitare lesioni a testa, occhi, mani o piedi e per proteggere l'udito è indispensabile indossare i seguenti dispositivi e indumenti di protezione durante l'uso.
- Indossare sempre un casco se vi è il rischio di caduta di oggetti. Il casco di protezione (1) deve essere controllato periodicamente per verificare la presenza di eventuali danni e deve essere sostituito almeno ogni 5 anni. Usare solo caschi di protezione omologati.
- La visiera (2) del casco (o gli occhiali di protezione) protegge il volto da detriti e sassi volanti. Per evitare danni alla vista è fondamentale indossare sempre gli occhiali di protezione o una visiera durante l'uso.
- Indossare dispositivi di protezione acustica adeguati per evitare danni all'udito (cuffie isolanti (3), tappi per le orecchie e così via).
- Le tute da lavoro (4) proteggono da sassi e detriti scagliati. È pertanto consigliabile che l'operatore indossi una tuta da lavoro.
- I guanti speciali (5) di cuoio pesante sono parte dell'equipaggiamento prescritto e devono sempre essere indossati durante l'uso.
- Durante l'uso dell'apparecchio, indossare sempre scarpe pesanti (6) con suola antiscivolo. Ciò assicura un'adeguata protezione contro le lesioni, assicurando nel contempo un buon equilibrio.
- Indossare guanti protettivi quando si opera con la catena della sega o si regola la tensione della catena. La catena della sega può causare tagli profondi sulle mani nude.



## Sicurezza dell'area di lavoro

- **⚠ Pericolo:** Mantenere la sega per potatura a una distanza di almeno 15 m dalle linee elettriche e dai cavi di comunicazione (compresi i rami a contatto con tali linee). Il contatto della sega per potatura con linee ad alta tensione può causare gravi infortuni e persino la morte. Controllare la presenza di linee elettriche nell'ambiente di lavoro prima di cominciare le operazioni.
- Utilizzare la sega per potatura solo in condizioni di buona visibilità diurna. Non utilizzare la sega per potatura al buio o in presenza di nebbia.
- Avviare il motore solo all'aperto, in una zona ben aerata. L'uso all'interno di aree di piccole dimensioni o con aerazione limitata può portare alla morte per soffocamento o per avvelenamento da monossido di carbonio.
- Durante le operazioni, non sostare su una superficie instabile o scivolosa né su un pendio ripido. Durante la stagione fredda prestare attenzione al ghiaccio e alla neve e verificare di avere sempre un buon equilibrio.
- Durante l'uso, mantenere gli osservatori e gli animali ad almeno 15 m dalla sega per potatura. Spegnerne il motore non appena si avvicina qualcuno.
- Prima dell'uso, esaminare l'area di lavoro verificando la presenza di recinzioni, pareti o altri oggetti solidi, in quanto potrebbero danneggiare la catena della sega.
- **⚠ AVVERTENZA:** L'uso di questo prodotto può creare polveri contenenti sostanze chimiche in grado di causare problemi respiratori o altre malattie. Queste sostanze chimiche corrispondono ad esempio ai composti presenti in pesticidi, insetticidi, fertilizzanti e diserbanti. Il rischio relativo a tali esposizioni dipende dalla frequenza con cui si svolge il lavoro. Per ridurre l'esposizione alle sostanze chimiche: lavorare in un'area ben ventilata utilizzando i dispositivi di sicurezza approvati, ad esempio le maschere antipolvere appositamente progettate per filtrare le particelle microscopiche.

## Messa in funzione

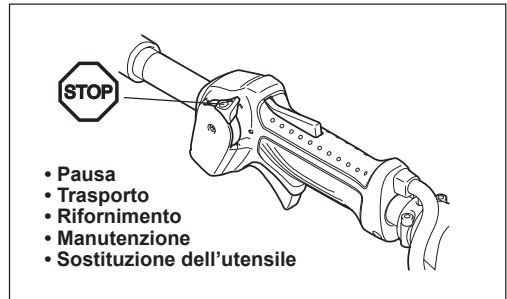
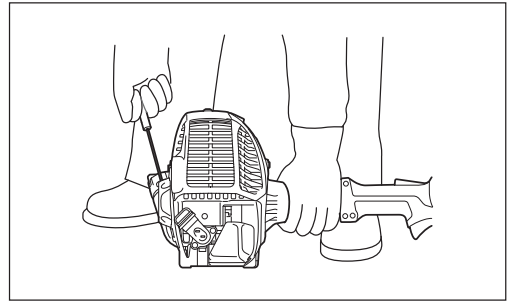
- Prima di montare o regolare l'apparecchio, spegnere il motore e staccare la candela.
- Prima di avviare il motore, controllare l'utensile alla ricerca di danni, viti o dadi allentati oppure errori di montaggio. Affilare la catena della sega, se necessario. La catena della sega va sostituita se è piegata o danneggiata. Controllare il corretto funzionamento di tutte le leve di comando e di tutti gli interruttori. Pulire e asciugare le impugnature.
- Non tentare di avviare il motore se l'utensile è danneggiato o non è stato montato completamente. In caso contrario potrebbero verificarsi gravi infortuni.
- Regolare correttamente la tensione della catena. Rabboccare l'olio per catena, se necessario.

## Avviamento del motore

- Assicurarsi che non vi siano bambini o altre persone nelle vicinanze; prestare attenzione anche alla presenza di animali.
- Indossare i dispositivi di protezione personale prima di avviare il motore.
- Verificare che l'accessorio sia montato correttamente, controllare che la leva di comando possa essere azionata facilmente e verificare il corretto funzionamento della sicura di accensione.
- Se la catena della sega si muove quando il motore è al minimo, spegnere il motore e regolare la velocità al minimo. In caso di dubbi in merito alla regolazione, rivolgersi a un centro di assistenza autorizzato. Controllare che le impugnature siano pulite e asciutte e verificare la funzionalità dell'interruttore di avviamento e arresto.

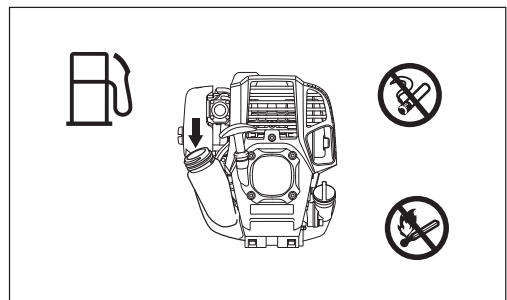
Avviare il motore solo in base alla procedura riportata nelle istruzioni.

- Non avviare il motore con altri sistemi!
- Appoggiare l'utensile a terra. Mantenere un equilibrio stabile e appoggiare correttamente i piedi.
- Tenere saldamente l'apparecchio contro il terreno con la mano sinistra e tirare la manopola di avviamento. Non calpestare mai l'albero motore.
- Prima di avviare il motore, assicurarsi che non vi siano persone o animali nella zona di lavoro.
- Quando si avvia il motore, mantenere la catena della sega e la barra di guida a distanza dal proprio corpo e da altri oggetti, terreno compreso. La catena della sega potrebbe muoversi durante l'avviamento, causando gravi infortuni o danni sia alla catena sia alle altre cose.
- Se il motore presenta un problema, spegnerlo immediatamente.
- Nel caso in cui la catena della sega colpisca pietre o altri oggetti rigidi, è necessario spegnere immediatamente il motore e ispezionare l'apparecchio.
- Prima di iniziare a utilizzare l'utensile, indossare sempre la tracolla, agganciata all'utensile, e regolarla adeguatamente. È fondamentale regolare la tracolla in base alla corporatura dell'operatore per prevenire l'affaticamento durante l'uso. Non tenere il decespugliatore con una mano sola durante l'uso.
- Agganciare la tracolla con il motore in funzione al minimo. Durante l'uso, mantenere l'apparecchio ben appoggiato al proprio fianco destro.
- Utilizzare tutti i dispositivi di protezione in dotazione con il prodotto durante l'uso.
- Non avviare il motore se la marmitta di scarico è difettosa.
- Tranne che in caso di emergenza, non far cadere o gettare l'utensile a terra onde evitare di danneggiare gravemente l'utensile stesso.



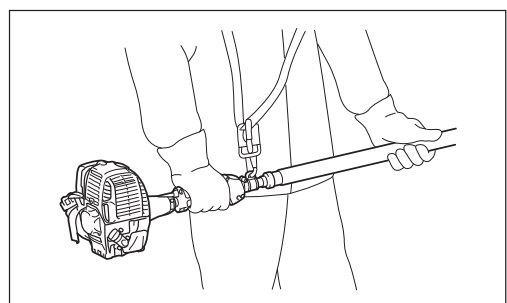
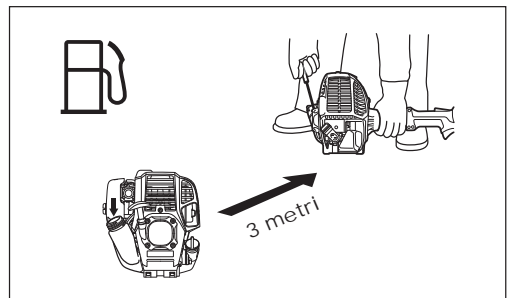
### Rifornimento

- Durante il rifornimento spegnere il motore, tenersi lontani dalle fiamme libere e non fumare.
- Evitare il contatto epidermico con prodotti a base di oli minerali. Non inalare i vapori del carburante. Indossare sempre i guanti di protezione durante il rifornimento. Sostituire e pulire regolarmente gli indumenti di protezione.
- Prestare attenzione a non lasciar fuoriuscire il carburante o l'olio onde evitare la contaminazione del terreno (protezione dell'ambiente). Pulire l'apparecchio subito dopo una fuoriuscita di carburante.
- Evitare il contatto del carburante con i capi di vestiario. Cambiarsi immediatamente in caso di contatto con il carburante (per evitare che gli abiti prendano fuoco).
- Controllare regolarmente il tappo del serbatoio del carburante per assicurarsi che sia stretto correttamente e che non presenti perdite.
- Stringere con cura il tappo del serbatoio del carburante. Cambiare luogo prima di avviare il motore (almeno 3 metri dal punto di rifornimento).
- Non effettuare il rifornimento in ambienti chiusi. I vapori del combustibile si accumulano a livello del terreno (pericolo di esplosioni).
- Trasportare e conservare il carburante solo in contenitori omologati. Assicurarsi di riporre il carburante in un punto non accessibile ai bambini.



### Modalità di funzionamento

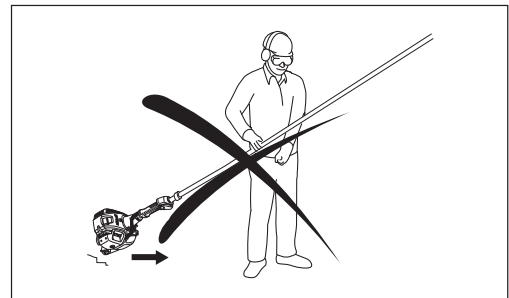
- In caso di emergenza, spegnere immediatamente il motore.
- Spegnerlo anche se si rilevano condizioni anomale (ad esempio rumori o vibrazioni) durante l'uso. Non utilizzare l'utensile senza prima individuare e risolvere il problema.
- La catena della sega continua a muoversi per un breve periodo dopo il rilascio dell'interruttore dell'acceleratore. Non entrare in contatto con la catena della sega.
- Afferrare l'impugnatura anteriore con la mano sinistra e l'impugnatura posteriore con la mano destra (anche se si è mancini). Avvolgere le dita e i pollici intorno alle impugnature.
- Non tentare di utilizzare l'utensile con una mano sola. Una perdita di controllo potrebbe causare infortuni gravi o letali. Per ridurre il pericolo di infortuni mantenere mani e piedi a distanza dalle lame.
- Non sporgersi o sbilanciarsi eccessivamente durante l'operazione. Mantenere sempre l'equilibrio e un punto d'appoggio adeguati.
- Controllare la presenza di ostacoli nascosti, quali ceppi d'albero, radici e fossati, onde evitare di inciampare. Rimuovere i rami caduti e gli altri oggetti dalla zona di lavoro.
- Se l'utensile cade o subisce un impatto violento, verificarne le condizioni prima di proseguire il lavoro. Verificare che l'impianto di alimentazione del carburante sia privo di perdite e che i dispositivi di sicurezza funzionino correttamente. In caso di danni o dubbi, richiedere l'ispezione e la riparazione presso un centro di assistenza autorizzato Makita.
- Non toccare la scatola degli ingranaggi. La scatola degli ingranaggi si surriscalda durante il funzionamento.
- Se si lascia inutilizzato l'utensile, anche per breve tempo, spegnere sempre il motore. L'utensile lasciato incustodito con il motore in funzione può essere utilizzato da persone non autorizzate e causare gravi incidenti.



- Prestare attenzione all'ambiente. Evitare di azionare inutilmente l'acceleratore al fine di ridurre l'inquinamento e le emissioni acustiche. Regolare correttamente il carburatore.
- Durante o dopo l'uso, non appoggiare l'utensile caldo sull'erba secca o altri materiali combustibili.
- Non posizionare la mano destra a un'altezza superiore a quella delle spalle.
- Durante l'uso, non colpire con la catena della sega oggetti rigidi quali pietre e chiodi. Prestare particolare attenzione durante il taglio di rami in prossimità di pareti, recinzioni elettrificate e così via.
- Se i rami rimangono incastrati nella catena della sega, spegnere il motore e staccare la candela. In caso contrario, un avviamento accidentale potrebbe causare lesioni gravi.
- Se la catena della sega è ostruita, spegnere il motore e staccare la candela prima di pulirla.
- L'accelerazione del motore con la catena della sega bloccata aumenta il carico e può causare danni al motore e/o alla frizione.
- Prima di tagliare un ramo è indispensabile individuare una via di fuga per sottrarsi alla sua caduta. Rimuovere dall'area di lavoro tutti gli ostacoli, ad esempio i rami. Spostare tutti gli utensili e gli oggetti nella via di fuga in un altro luogo sicuro.
- Prima di tagliare i rami, controllarne la direzione di caduta valutandone le condizioni, la presenza di alberi nelle vicinanze, la direzione del vento e così via. Prestare particolare attenzione alla direzione di caduta e ai rimbalzi dei rami quando colpiscono il suolo.
- Non tenere la sega per potatura con un'angolazione superiore a 60°. Diversamente gli oggetti in caduta potrebbero colpire l'operatore provocando gravi infortuni. Non sostare mai sotto il ramo in fase di taglio.
- Prestare attenzione ai rami rotti o piegati, che potrebbero rimbalzare durante il taglio e causare infortuni imprevisti.
- Prima di tagliare i rami previsti, rimuovere gli altri rami e le foglie intorno. In caso contrario la sega potrebbe impigliarsi al loro interno.
- Per impedire che la sega sia ostacolata dal solco di taglio, non rilasciare la leva dell'acceleratore senza aver prima estratto la sega dal solco.
- Se la catena della sega è impigliata nel solco di taglio, spegnere subito il motore e muovere lentamente il ramo per aprire il solco e liberare la sega.
- Evitare i contraccolpi (forza di reazione rotativa verso l'operatore). Per prevenire i contraccolpi, non utilizzare la punta della barra di guida e non eseguire tagli in penetrazione. Controllare sempre la posizione della punta della barra di guida.
- Verificare spesso la tensione della catena. Prima di controllare o regolare la tensione della catena, spegnere il motore e staccare la candela. Se la tensione è insufficiente è necessario stringere la catena.
- Utilizzare l'apparecchio limitando al massimo il rumore e l'inquinamento. In particolare, verificare la corretta impostazione del carburatore.
- Non utilizzare mai l'apparecchio mentre ci si trova su una scala.
- Non arrampicarsi sugli alberi per eseguire operazioni di taglio.
- Attendere fino a quando la catena non raggiunge la massima velocità operativa prima di iniziare a tagliare.
- Riposarsi spesso per evitare la perdita di controllo causata dall'affaticamento. Si consiglia di fare una pausa di 10-20 minuti ogni ora.

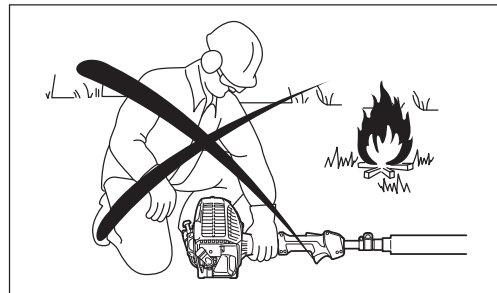
## Trasporto

- Prima di trasportare l'utensile, spegnere il motore e staccare la candela.
- Applicare sempre il coperchio della barra di guida durante il trasporto.
- Utilizzare sempre la protezione in dotazione con l'apparecchio.
- Trasportare l'apparecchio in posizione orizzontale trattenendolo dall'albero. Mantenere la marmitta calda a distanza dal proprio corpo.
- Fissare correttamente l'utensile trasportato in un veicolo per evitare che si rovesci. Diversamente, potrebbero verificarsi fuoriuscite di carburante con conseguenti danni all'utensile e agli altri bagagli.
- Spegnere il motore durante il trasporto.
- Assicurarsi che il serbatoio del carburante sia completamente vuoto.
- Durante lo scarico dell'utensile da un autocarro, non far cadere a terra il motore onde evitare gravi danni al serbatoio del carburante.
- Per spostare l'utensile è necessario sollevarlo sempre completamente da terra. Il trascinarsi del serbatoio del carburante è molto pericoloso e può causare danni o perdite di carburante, con conseguente pericolo di incendio.



## Istruzioni per la manutenzione

- L'utensile deve essere riparato esclusivamente da un centro assistenza autorizzato con l'uso di ricambi originali. Operazioni improprie di riparazione e manutenzione possono ridurre la durata dell'utensile e aumentare il pericolo di incidenti.
- Prima di effettuare operazioni di manutenzione, riparazione o pulizia dell'utensile, spegnere sempre il motore e staccare la candela. Attendere quindi il raffreddamento del motore.
- Per ridurre il pericolo di incendio, non effettuare la manutenzione o conservare l'utensile in prossimità di fiamme libere.
- Indossare sempre i guanti di protezione per maneggiare la catena della sega.
- Rimuovere sempre la polvere e la sporcizia dall'utensile. Evitare l'uso di benzina, diluenti, solventi, alcol o sostanze simili a scopo di pulizia. In caso contrario, potrebbero verificarsi scoloriture, deformazioni o fessurazioni dei componenti in plastica.
- Dopo ogni uso, serrare tutte le viti e i dadi, tranne le viti di regolazione.
- Mantenere ben affilata la catena della sega. Se la catena della sega è usurata e le prestazioni di taglio risultano scadenti, rivolgersi a un centro assistenza autorizzato Makita chiedendo di affilare la catena o di sostituirla con una nuova.
- Non tentare di eseguire operazioni di manutenzione o riparazione diverse da quelle descritte nelle istruzioni per l'uso. Rivolgersi al centro di assistenza autorizzato Makita per tali operazioni.
- Pulire regolarmente l'utensile e controllare che tutte le viti e i dadi siano correttamente serrati.
- Conservare sempre l'utensile in ambienti chiusi a chiave e con il serbatoio del carburante svuotato.



## Stoccaggio

- Prima di riporre l'utensile è necessario effettuare la pulizia e la manutenzione. Applicare il coperchio della barra di guida. Staccare la candela. Scaricare il carburante e l'olio per catena una volta che il motore si è raffreddato.
- Riporre l'utensile in un luogo asciutto e in posizione elevata o sottochiave, fuori dalla portata dei bambini.
- Non appoggiare l'utensile contro altri oggetti, ad esempio una parete. Potrebbe cadere improvvisamente provocando infortuni.

Rispettare le istruzioni di prevenzione degli incidenti fornite dalle associazioni di categoria e dalle compagnie di assicurazioni. Non apportare modifiche all'utensile onde evitare di mettere a repentaglio la propria sicurezza.

Le attività di manutenzione o riparazione a carico dell'operatore sono limitate a quelle descritte nelle presenti istruzioni per l'uso. Qualsiasi altra operazione deve essere eseguita da un centro assistenza autorizzato. Usare esclusivamente ricambi e accessori originali rilasciati e forniti da MAKITA.

L'uso di accessori e utensili non approvati può aumentare il pericolo di incidenti.

MAKITA declina qualsiasi responsabilità per danni o incidenti causati dall'uso di accessori e dispositivi di fissaggio non approvati.

## Pronto soccorso

Assicurarsi che nelle vicinanze dell'area di lavoro sia disponibile una cassetta di primo soccorso, in caso di infortuni. Sostituire immediatamente qualunque oggetto prelevato dalla cassetta di primo soccorso.

## Nel momento in cui si richiede assistenza, fornire le seguenti informazioni:

- Luogo dell'incidente
- Che cosa è accaduto
- Numero delle persone ferite
- Tipo di ferite
- Nome e cognome



## Vibrazione

- Gli operatori che soffrono di insufficienza venosa, se esposti a vibrazioni eccessive, possono riportare danni ai vasi sanguigni o al sistema nervoso. Le vibrazioni possono causare i seguenti sintomi alle dita, alle mani o ai polsi: torpore, formicolio, dolore, fitte acute, alterazione della pelle o del suo colorito. Consultare un medico non appena si manifestano tali sintomi!
- Per ridurre il pericolo del cosiddetto fenomeno di Raynaud è importante mantenere le mani calde durante il lavoro ed effettuare un'adeguata manutenzione dell'apparecchio e degli accessori.

---

## DICHIARAZIONE DI CONFORMITÀ CE

**Makita Corporation, in qualità di produttore responsabile, dichiara che gli utensili Makita indicati di seguito:**

Denominazione dell'utensile: Sega per potatura a benzina con asta telescopica

N. modello/ Tipo: EY2650H

Caratteristiche tecniche: vedere la tabella "DATI TECNICI"

appartengono a una produzione in serie e

**sono conformi alle seguenti direttive europee:**

2006/42/EC

Sono inoltre prodotti in conformità agli standard o ai documenti standardizzati riportati di seguito:

EN/ISO11680

La documentazione tecnica viene conservata da:

Makita International Europe Ltd., Technical Department,

Michigan Drive, Tongwell, Milton Keynes, Bucks MK15 8JD, Inghilterra

Il numero dell'attestato di certificazione CE come sega per potatura è:

4813008.13001

L'attestato di certificazione CE ai sensi della direttiva 2006/42/EC è stato redatto da:

DEKRA Testing and Certification GmbH Enderstraße 92b 01277 Dresden, Germania

N. di identificazione 2140

31. 10. 2013



Tomoyasu Kato  
Direttore

Makita Corporation  
3-11-8, Sumiyoshi-cho,  
Anjo, Aichi, 446-8502, JAPAN

---

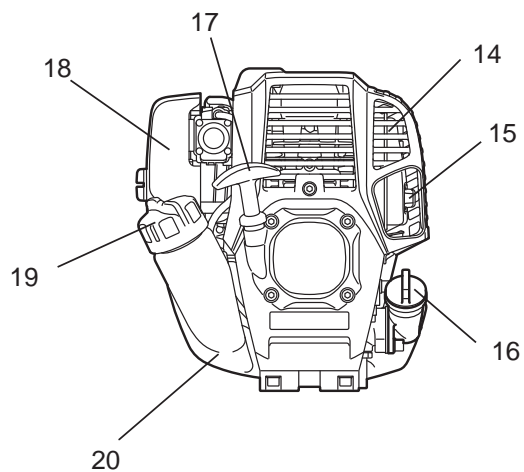
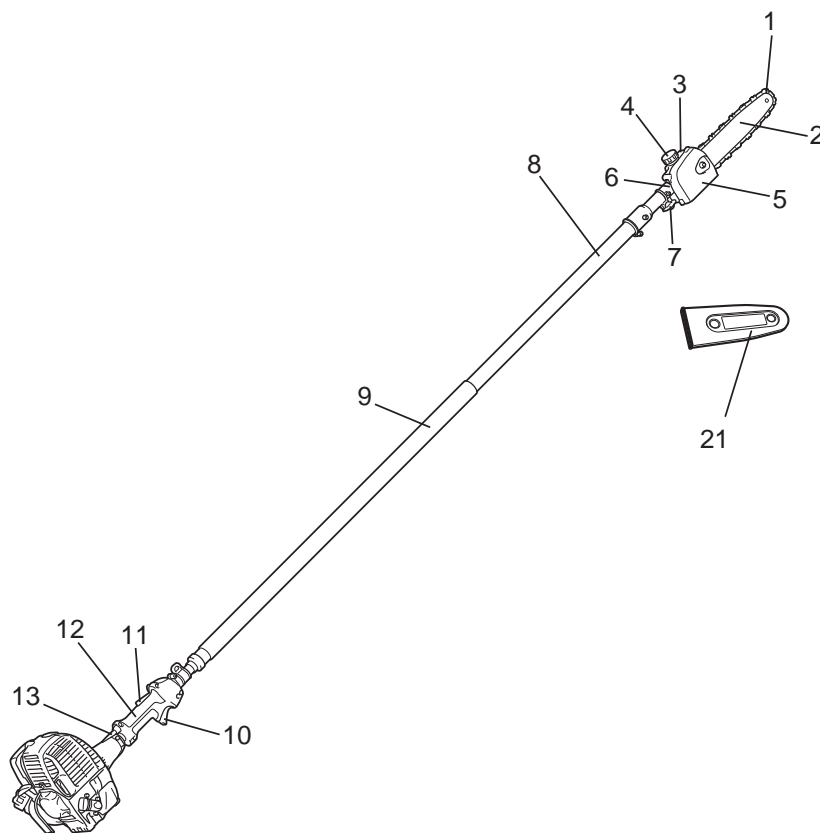
## DATI TECNICI

Modello		EY2650H		
Dimensioni: Lun x Lar x Alt	mm	2.720-3.920 x 223 x 240		
Peso	kg	7,2		
Volume del serbatoio del carburante	cm <sup>3</sup>	600		
Volume del serbatoio dell'olio per catena	cm <sup>3</sup>	120		
Cilindrata del motore	cm <sup>3</sup>	25,4		
Velocità massima della catena	m/s	21,0		
Prestazioni massime del motore		0,77 kW a 7.000 min <sup>-1</sup>		
Velocità del motore alla massima velocità consigliata, velocità del mandrino	min <sup>-1</sup>	10.000		
Velocità al minimo	min <sup>-1</sup>	3.000		
Velocità di innesto della frizione	min <sup>-1</sup>	4.400		
Carburatore		Tipo di diaframma		
Candela	Tipo	NGK CMR4A		
Distanza tra gli elettrodi	mm	0,7 - 0,8		
Carburante		Benzina per automobili		
Olio motore		Classificazione API, classe SF o superiore, olio SAE 10W-30 (olio motore a quattro tempi per automobili)		
Lunghezza di taglio	mm	255		
Lunghezza della barra di guida	mm (pollici)	255 (10")		
Catena della sega		91VXL-39E		
Passo della catena	pollici	3/8"		
Calibro di misurazione della catena	mm (pollici)	1,3 (0,05")		
Numero di denti		7		
Olio per catena		Olio per catena originale Makita		
Pompa dell'olio per catena		Pompa a stantuffo (autolubrificante)		
Vibrazioni secondo ISO 22867	Impugnatura destra (impugnatura posteriore)	a <sub>nv eq</sub> (albero nella posizione più corta)	m/s <sup>2</sup>	5,3
		a <sub>nv eq</sub> (albero nella posizione più lunga)	m/s <sup>2</sup>	6,1
		Variazione K	m/s <sup>2</sup>	2,0
	Impugnatura sinistra (impugnatura anteriore)	a <sub>nv eq</sub> (albero nella posizione più corta)	m/s <sup>2</sup>	7,2
		a <sub>nv eq</sub> (albero nella posizione più lunga)	m/s <sup>2</sup>	8,6
		Variazione K	m/s <sup>2</sup>	2,0
Livello medio di pressione sonora secondo ISO 22868	L <sub>PA eq</sub>	dBA	89,5	
	Variazione K	dBA	2,5	
Livello medio di potenza sonora secondo ISO 22868	L <sub>WA eq</sub>	dBA	107,3	
	Variazione K	dBA	2,5	

- Le caratteristiche tecniche riportate di seguito sono soggette a modifiche senza preavviso in virtù del nostro programma continuo di ricerca e sviluppo.
- Le caratteristiche tecniche possono differire da paese a paese.

## DESIGNAZIONE DELLE PARTI

EY2650H



I	DESIGNAZIONE DELLE PARTI
1	Catena della sega
2	Barra di guida
3	Serbatoio dell'olio
4	Tappo del serbatoio dell'olio
5	Supporto della barra
6	Scatola degli ingranaggi
7	Manopola
8	Albero telescopico
9	Impugnatura anteriore
10	Leva dell'acceleratore
11	Sicura di accensione
12	Impugnatura posteriore
13	Cavo di comando
14	Marmitta di scarico
15	Tubo di scarico
16	Tappo dell'olio
17	Manopola di avviamento
18	Filtro dell'aria
19	Tappo del serbatoio del carburante
20	Serbatoio del carburante
21	Coperchio della barra di guida



## MONTAGGIO E REGOLAZIONE

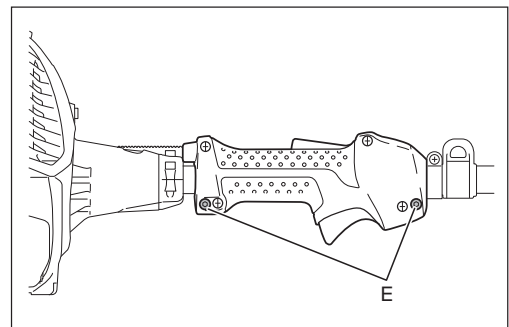
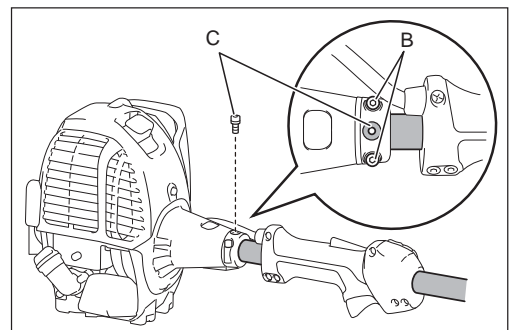
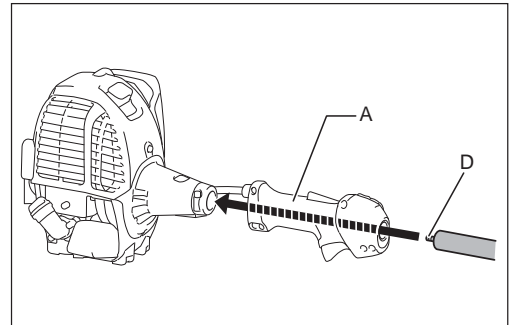
### AVVERTENZA:

- Prima di montare, regolare o controllare l'apparecchio, spegnere il motore e staccare la candela.
- Indossare sempre i guanti di protezione per maneggiare la catena della sega.
- Attendere fino a quando la catena della sega non si sia raffreddata prima di procedere al montaggio, alla regolazione o al controllo. La catena della sega si surriscalda durante l'uso e potrebbe causare ustioni.

### Montaggio dell'albero e della scatola frizione

Montare l'albero con l'impugnatura posteriore e il gruppo motore come segue:

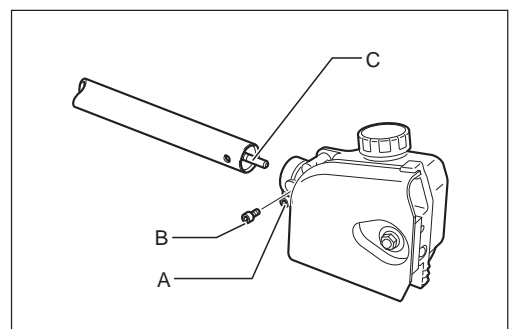
1. Inserire l'albero attraverso l'impugnatura posteriore (A).
2. Allentare due bulloni di fissaggio (B) e togliere la vite centrale (C) sulla scatola frizione.
3. Inserire l'albero nella scatola frizione. Qualora risultasse difficile inserirlo completamente, ruotare leggermente la chiavetta (D).
4. Allineare il foro sull'albero al foro della vite centrale.
5. Serrare la vite centrale.
6. Serrare uniformemente due bulloni di fissaggio.
7. Registrare la posizione dell'impugnatura posteriore e fissarla con i due bulloni (E).



### Montaggio dell'albero e della scatola degli ingranaggi

Montare l'albero con la scatola degli ingranaggi come descritto di seguito:

1. Allentare il bullone (A). Togliere il bullone (B).
2. Inserire l'albero nella scatola degli ingranaggi. Qualora risultasse difficile inserirlo completamente, ruotare leggermente la chiavetta (C).
3. Allineare il foro sull'albero al foro del bullone (B).
4. Serrare dapprima il bullone (B), quindi serrare il bullone (A).



## Montaggio della catena della sega e della barra di guida

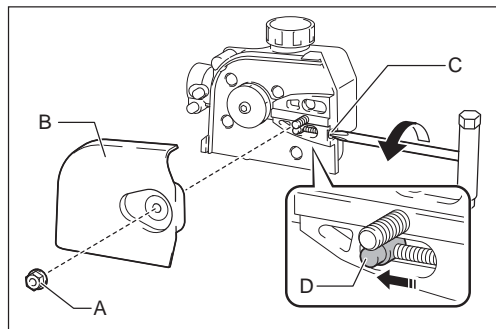
**ATTENZIONE:** Assicurarsi che la catena della sega, la barra di guida e il pignone corrispondano a livello di misura e passo.

Procedere come segue per montare la catena della sega e la barra di guida.

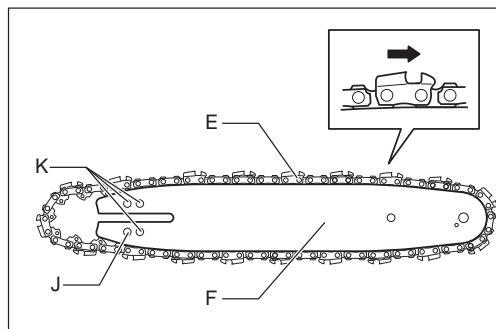
1. Allentare il dado (A) e rimuovere il supporto della barra (B).
2. Ruotare la vite di tensione (C) in senso antiorario finché il dado di tensionamento (D) non tocca l'estremità sinistra.

### AVVISO:

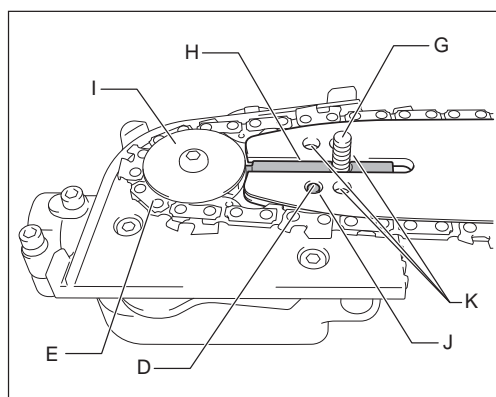
- Non ruotare eccessivamente la vite di tensione in senso antiorario, altrimenti la vite di tensione e il dado di tensionamento fuoriusciranno dall'alloggiamento.



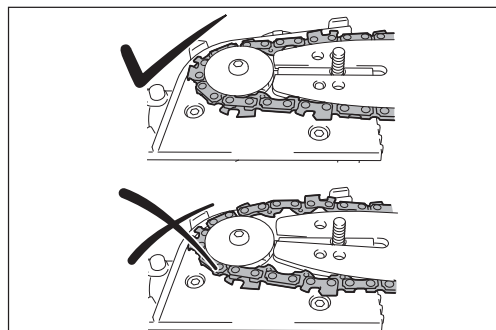
3. Inserire la catena della sega (E) nella scanalatura della barra di guida (F). Iniziare la procedura dalla punta della barra.



4. Allineare il bullone di posizionamento (G) alla scanalatura della barra di guida (H), quindi montare la catena della sega (E) sul pignone (I). Assicurarsi che la catena della sega rimanga aderente alla barra di guida durante la procedura.
5. Montare la barra di guida (F) in modo che il dado di tensionamento (D) entri nel foro (J) sulla barra di guida. I fori (K) non vengono utilizzati.



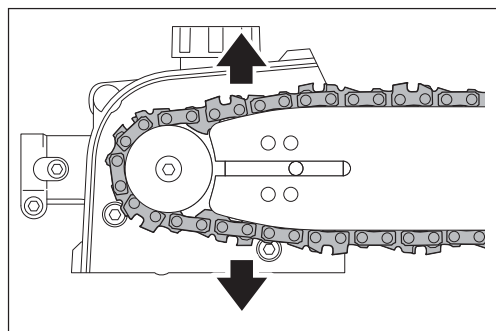
6. Posizionare correttamente la catena della sega sulla scanalatura della barra di guida. Se in questa fase la catena della sega non è inserita correttamente nella scanalatura della barra di guida, effettuare la regolazione necessaria.
7. Montare il supporto della barra (B) e serrare il dado (A). Allentare quindi il dado di mezzo giro per la regolazione della tensione della catena.
8. Vedere la sezione "Regolazione della tensione della catena".



### ATTENZIONE:

- Mantenere la tensione della catena applicabile. Una tensione inadeguata può causare il deragliament della catena della sega.

Per rimuovere la catena della sega e la barra di guida, ruotare per prima cosa la vite di tensione (C) in senso antiorario. Tirare la catena della sega verso l'esterno per farla fuoriuscire dalla scanalatura della barra di guida, quindi estrarle dall'alloggiamento.



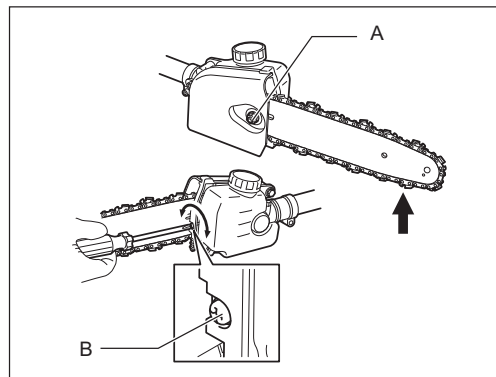
## Regolazione della tensione della catena

### ATTENZIONE:

- Mantenere la tensione della catena applicabile. Una tensione inferiore può provocare la fuoriuscita della catena della sega durante l'uso. Una tensione eccessiva può danneggiare la catena della sega o la barra di guida.
- Durante l'uso, verificare spesso la tensione della catena. La catena della sega si allunga e si allenta durante il funzionamento. Se si utilizza una catena della sega nuova è necessario regolare la tensione più spesso.

Procedere come segue per regolare la tensione della catena.

1. Allentare il dado **(A)** di mezzo giro.
2. Tenere la punta della barra rivolta verso l'alto. Ruotare la vite di messa in tensione **(B)** in senso orario fin quando la catena della sega non entra perfettamente nella parte inferiore della barra di guida.
3. Afferrare la catena nella parte centrale della barra di guida e sollevarla. La distanza tra la barra di guida e la fascetta di fissaggio della catena della sega deve essere approssimativamente pari a 3 - 4 mm (0,118" - 0,157"). In caso contrario, ruotare leggermente in senso antiorario la vite di tensionamento e ripetere il punto 2.
4. Serrare il dado **(A)**.
5. Se necessario, serrare leggermente la vite di tensionamento in modo da prevenirne la caduta.



## Riempimento del serbatoio dell'olio per catena

La catena della sega deve essere lubrificata con olio per catena durante il funzionamento.

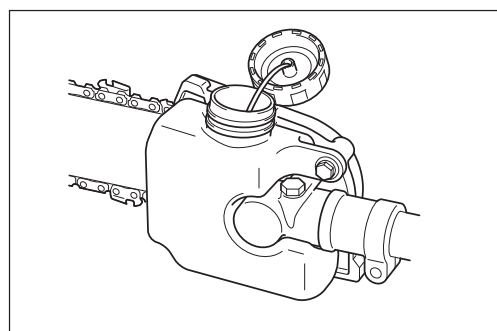
Prima dell'uso è necessario riempire il serbatoio dell'olio per catena. Dopo aver rifornito l'olio, serrare con cura il relativo tappo.

Utilizzare soltanto olio per catena originale Makita.

### AVVISO:

- Non utilizzare olio esausto, in quanto potrebbe danneggiare la pompa dell'olio.
- Evitare ambienti polverosi durante il rabbocco dell'olio per catena. Polvere e altri materiali estranei potrebbero danneggiare il sistema di alimentazione olio.

Durante l'uso prestare sempre attenzione al livello dell'olio. Rifornire il serbatoio se il livello dell'olio cala eccessivamente. Il serbatoio si svuota in circa 40 minuti di funzionamento (dipende dall'impostazione di lubrificazione della catena).

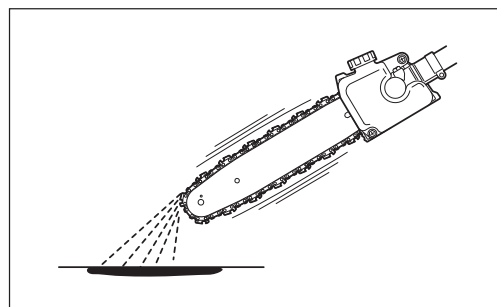
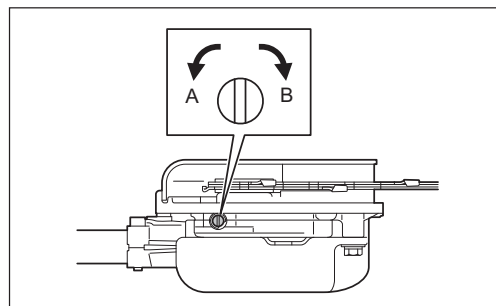


## Regolazione della frequenza di erogazione dell'olio per catena

La frequenza di erogazione dell'olio per catena può essere regolata su tre passi. In base all'operazione, ad esempio per il taglio di rami duri, è possibile regolare la frequenza di erogazione.

Per regolare la frequenza di erogazione dell'olio per catena serve un cacciavite piatto. Premere la vite di regolazione e ruotarla. Per aumentare la frequenza di erogazione, ruotare la vite di regolazione in senso antiorario **(A)**. Per ridurre la frequenza di erogazione, ruotarla in senso orario **(B)**.

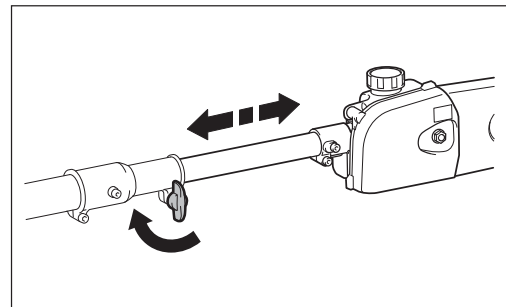
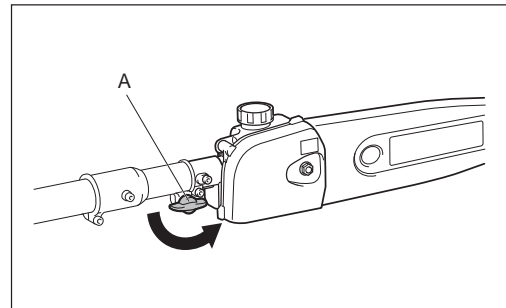
Dopo aver regolato la frequenza di erogazione dell'olio per catena è opportuno controllarla azionando l'utensile a velocità media.



## Regolazione della lunghezza della sega telescopica

Regolare la lunghezza della sega telescopica come descritto di seguito:

1. Ruotare la manopola **(A)** in senso antiorario.
2. Regolare la lunghezza dell'asta telescopica.
3. Ruotare la manopola in senso orario per fissare la testata.



## Tracolla

### Regolazione della tracolla

Regolare la cinghia secondo la lunghezza adeguata per il proprio lavoro.

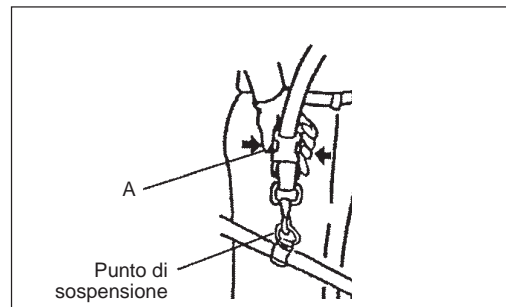
### Sganciamento

In caso di emergenza, premere le tacche **(A)** su entrambi i lati per staccare l'apparecchio.

In tale circostanza occorre essere estremamente attenti a mantenere il controllo del dispositivo. Impedire che il dispositivo venga deviato verso di sé o chiunque si trovi nelle vicinanze.

**AVVERTENZA:** Perdere completamente il controllo dell'utensile potrebbe essere causa di gravi lesioni o di MORTE.

Nota: In alcuni paesi, la tracolla non dispone di questa funzione di sganciamento.



## Ispezione e rabbocco dell'olio motore

- Eseguire la seguente procedura a motore freddo.
- Posizionare il motore in piano, rimuovere il tappo dell'olio (Fig. 1) e verificare che il livello dell'olio sia compreso tra i limiti superiore e inferiore del tubo dell'olio (Fig. 2).
- Rabboccare l'olio fino all'indicatore di limite superiore, se l'olio è insufficiente (vicino all'indicatore di limite inferiore) (Fig. 3).
- L'area che circonda i contrassegni esterni è trasparente, pertanto è possibile controllare il livello dell'olio senza dover rimuovere il tappo dell'olio. Tuttavia, se il tubo dell'olio è particolarmente sporco, la visibilità potrebbe essere compromessa; in questo caso occorre controllare il livello dell'olio utilizzando la sezione a gradini all'interno del tubo.
- Il tempo indicativo di rabbocco dell'olio è pari a circa 10 ore (ogni 10 rifornimenti).  
Sostituire l'olio se cambia colore o viene a contatto con della sporcizia. (Per informazioni sull'intervallo e sul metodo di sostituzione, vedere a pag. 98.)

**Olio consigliato:** Olio SAE 10W-30, classificazione API, classe SF o superiore (motore a quattro tempi per automobili)

**Volume dell'olio:** Circa 0,08 l

**Nota:** Se il motore non è in posizione verticale, è possibile che l'olio entri in circolo nel motore e che il rabbocco effettuato sia eccessivo. Se l'olio viene rabboccato oltre il limite possono verificarsi contaminazioni o incendi che producono fumo bianco.

### Punto 1 della sostituzione dell'olio - "Tappo dell'olio"

- Rimuovere polvere o sporcizia in prossimità del bocchettone di rifornimento dell'olio, quindi rimuovere il tappo dell'olio.
- Evitare il contatto del tappo dell'olio con sabbia o polvere. In caso contrario, la sabbia o la polvere che ha aderito al tappo potrebbe provocare una circolazione irregolare dell'olio o determinare l'usura delle parti del motore, con conseguenti problemi.

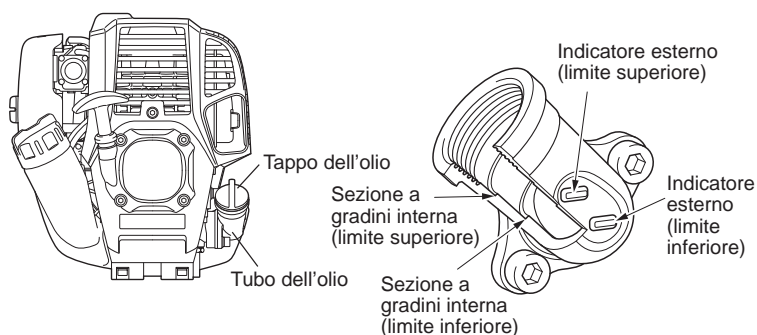


Fig. 1

Fig. 2 Tubo dell'olio

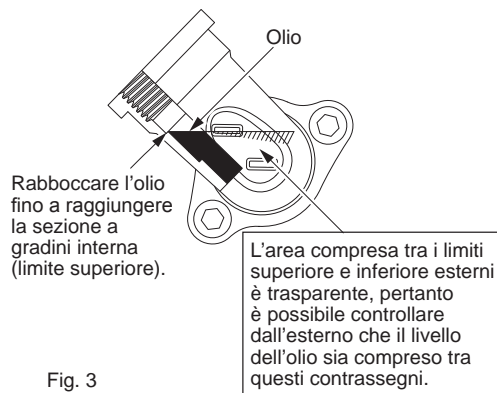
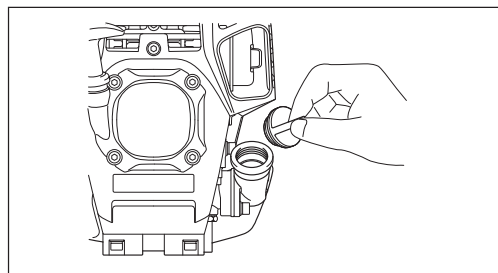
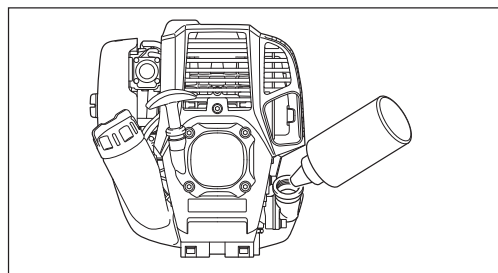


Fig. 3

(1) Mantenere il motore in piano e rimuovere il tappo dell'olio.



(2) Rabboccare con olio fino all'indicatore di limite superiore. (Vedere la Fig. 3.) Utilizzare un flacone d'olio per il rifornimento.



(3) Serrare il tappo dell'olio. Un serraggio insufficiente può causare perdite d'olio.

### Nota

- Non sostituire l'olio se il motore è in posizione inclinata.
- Il rabbocco effettuato con il motore inclinato può portare a un eccessivo riempimento, causando la contaminazione dell'olio e/o la produzione di fumo bianco.

### Punto 2 della sostituzione dell'olio - "Fuoriuscite d'olio"

- Se dovesse fuoriuscire e penetrare tra il serbatoio del carburante e il gruppo principale del motore, l'olio verrebbe aspirato dall'apertura di aspirazione dell'aria di raffreddamento, contaminando il motore. Pulire eventuali fuoriuscite d'olio prima di mettere in funzione l'utensile.

## RIFORNIMENTO

### Gestione del carburante

È necessario trattare sempre il carburante con la massima attenzione, in quanto potrebbe contenere sostanze simili ai solventi. Il rifornimento deve avvenire in un ambiente ben aerato o all'aria aperta. Non inalare i vapori e mantenere il carburante a distanza dal proprio corpo. Un contatto ripetuto o prolungato con il carburante potrebbe seccare la pelle, provocando fastidi o allergie. Qualora il carburante entri a contatto con gli occhi, lavare gli occhi con acqua fresca. Se l'irritazione oculare persiste, consultare un medico. Non eseguire il rabbocco al buio o su una superficie instabile.

### Periodo di conservazione del carburante

Il carburante deve essere utilizzato entro 4 settimane, anche se viene conservato in contenitori appositi e in ambienti ben ventilati e in ombra. Se non viene utilizzato un contenitore apposito o se il contenitore non è coperto, il carburante può deteriorarsi in un giorno.

### CONSERVAZIONE DELL'APPARECCHIO E RIFORNIMENTO DEL SERBATOIO

- Conservare l'apparecchio e il serbatoio in un luogo fresco e non esposto alla luce diretta del sole.
- Non conservare il carburante nella cabina o nel bagagliaio.

## Carburante

Il motore dell'utensile è a quattro tempi. Utilizzare benzina per automobili (normale o potenziata).

### Informazioni utili sul carburante

- Non usare una miscela di benzina e olio motore. In caso contrario potrebbe verificarsi un accumulo eccessivo di carbonio con conseguenti problemi meccanici.
- L'uso di olio deteriorato può causare un avviamento irregolare.

## Rifornimento

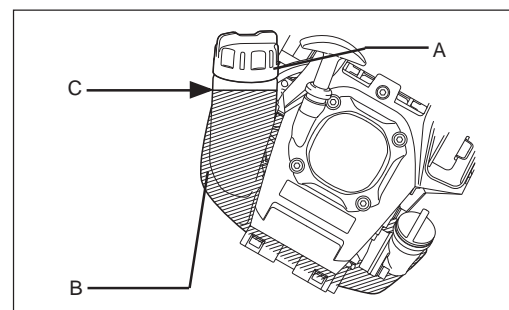
### AVVERTENZA: DIVIETO DI UTILIZZO DI INFIAMMABILI

**ATTENZIONE:** Non dimenticare di chiudere il tappo del serbatoio del carburante una volta completato il rabbocco. Non avviare il motore con il tappo del serbatoio del carburante aperto.

**Benzina utilizzata:** Benzina per automobili (senza piombo)

1. Allentare leggermente il tappo del serbatoio del carburante (**A**) per evitare la fuoriuscita di carburante.
2. Staccare il tappo del serbatoio del carburante. E inclinare il motore in modo che l'apertura per il rifornimento sia rivolta verso l'alto.
3. Effettuare il rifornimento con cautela scaricando l'aria dal serbatoio del carburante (**B**). (Non effettuare il rifornimento oltre il limite superiore (**C**).)
4. Pulire il tappo del serbatoio del carburante per evitare la penetrazione di corpi estranei nel serbatoio del carburante.
5. Serrare il tappo del serbatoio del carburante una volta completato il rifornimento.

- Se il tappo del serbatoio presenta danni o difetti è necessario sostituirlo.
- Il tappo del serbatoio si usura con il tempo. Sostituirlo ogni due o tre anni.



## INFORMAZIONI UTILI SUL FUNZIONAMENTO E SULL'ARRESTO

### ATTENZIONE:

Rispettare le normative vigenti per la prevenzione degli infortuni!

### AVVISO:

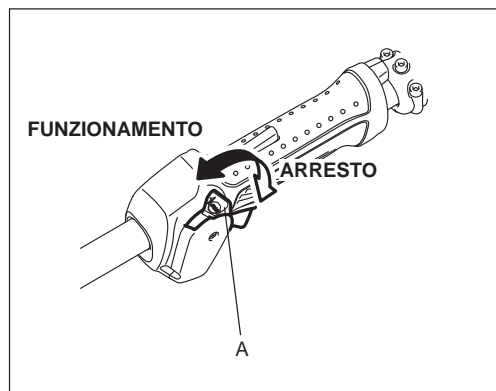
Togliere il coperchio della barra di guida prima di avviare il motore.

### AVVIAMENTO

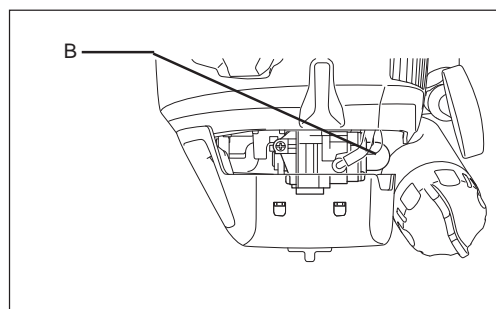
Allontanarsi di almeno 3 metri dal luogo del rifornimento. Appoggiare l'apparecchio su una zona di terreno libera, avendo cura che l'accessorio non sia a contatto con il terreno o con qualunque altro oggetto.

#### A: Avviamento a freddo

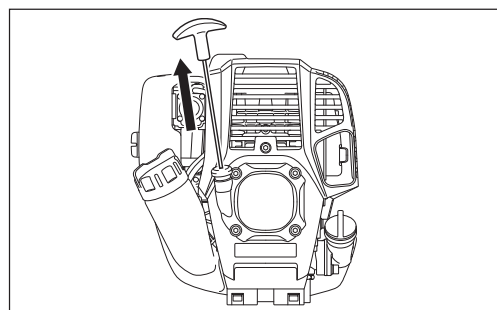
- 1) Appoggiare l'utensile su una superficie piana.
- 2) Portare l'interruttore I-O (**A**) nella posizione di FUNZIONAMENTO.



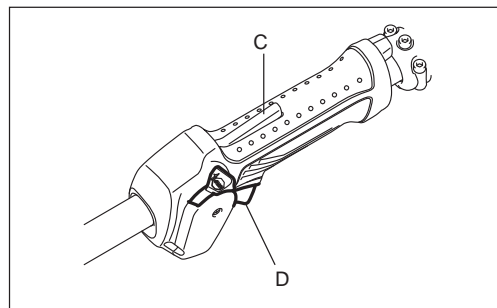
- 3) Pompa di adescamento  
Continuare a premere la pompa di adescamento (**B**) fin quando il carburante affluisce nella pompa.  
(In generale, il carburante entra nella pompa di adescamento dopo 7-10 pressioni.)  
Se la pompa di adescamento viene premuta eccessivamente, la benzina in eccesso torna nel serbatoio del carburante.



- 4) Starter manuale  
Tirare delicatamente la manopola di avviamento fin quando non risulta difficile da tirare (punto di compressione). A questo punto, riportare la manopola nella posizione iniziale e tirarla con forza.  
Evitare di tirare completamente la corda. Una volta tirata la manopola di avviamento, non togliere immediatamente la mano. Accompagnare la manopola di avviamento finché non ritorna nella posizione originale.



- 5) L'impugnatura è provvista di sicura di accensione (**C**) che ne impedisce un avvio accidentale. Per tirare la leva dell'acceleratore (**D**), afferrare l'impugnatura per rilasciare il blocco (il tasto della sicura viene premuto con la mano).
- 6) Operazione di riscaldamento  
Continuare l'operazione di riscaldamento per 2 o 3 minuti.



Nota: In caso di eccessiva aspirazione del carburante, staccare la candela e tirare lentamente l'impugnatura di avviamento per rimuovere il carburante in eccesso. Asciugare quindi la sezione degli elettrodi della candela.

## Precauzioni durante l'uso:

Se la leva dell'acceleratore è completamente aperta durante il funzionamento a vuoto, la rotazione del motore aumenta a 10.000 min<sup>-1</sup> e oltre. Non utilizzare il motore a una velocità superiore a quella necessaria, mantenendo il regime approssimativo di 6.000 - 8.500 min<sup>-1</sup>.

## B: Avviamento dopo l'operazione di riscaldamento

- 1) Premere più volte la pompa di adescamento.
- 2) Mantenere la leva dell'acceleratore nella posizione di folle.
- 3) Tirare con forza lo starter manuale.
- 4) Se l'avviamento del motore risulta difficoltoso, aprire l'acceleratore di circa 1/3. Prestare attenzione all'accessorio, che potrebbe ruotare.

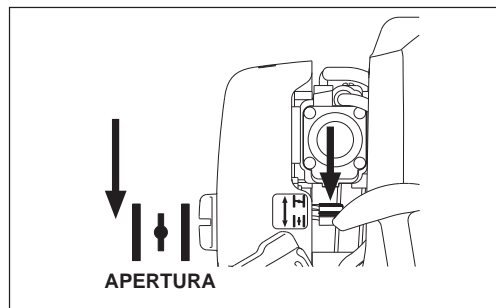
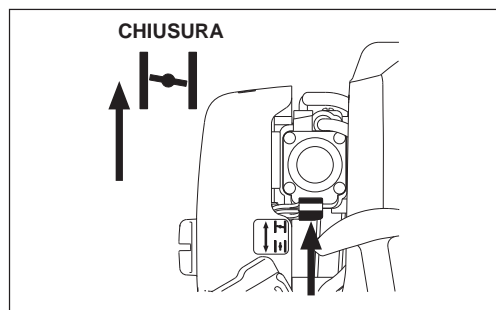
## Se l'avviamento del motore è difficoltoso, ad esempio in inverno

Azionare la leva del dispositivo di avviamento con la seguente procedura durante l'avviamento del motore.

- Dopo aver svolto i passaggi da 1) a 3), portare la leva del dispositivo di avviamento nella posizione di CHIUSURA.
- Eseguire il passaggio 4) e avviare il motore.
- Una volta avviato il motore, portare la leva del dispositivo di avviamento nella posizione di APERTURA.
- Eseguire il passaggio 5) e completare il riscaldamento.

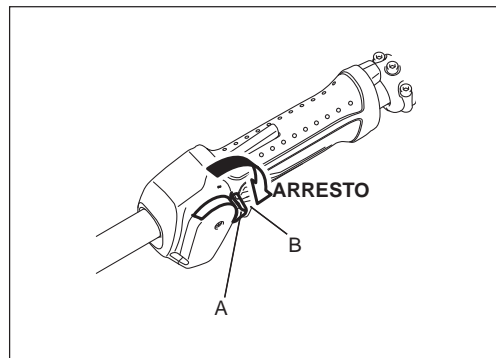
**ATTENZIONE:** Se l'apparecchio produce un suono di esplosione e il motore si ferma, oppure se il motore appena avviato entra in stallo prima che venga azionata la leva del dispositivo di avviamento, riportare tale leva nella posizione di APERTURA e tirare la manopola di avviamento alcune volte per avviare il motore.

**ATTENZIONE:** Se la leva del dispositivo di avviamento rimane nella posizione di CHIUSURA e la manopola di avviamento viene tirata ripetutamente, è possibile che venga aspirato troppo carburante e che il motore risulti difficile da avviare.



## ARRESTO

- 1) Rilasciare completamente la leva dell'acceleratore (**B**) e, una volta ridotto il regime del motore, portare l'interruttore I-O (**A**) nella posizione di ARRESTO. Il motore si spegne.
- 2) Occorre ricordare che l'accessorio potrebbe non fermarsi immediatamente; è necessario attendere che rallenti del tutto.

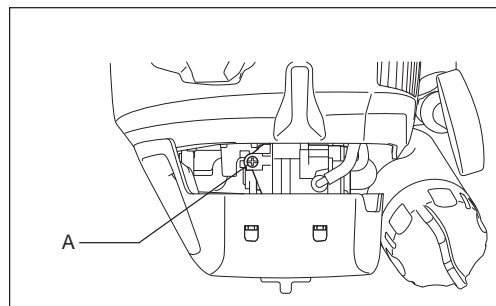


## REGOLAZIONE DELLA ROTAZIONE A BASSA VELOCITÀ (MINIMO)

Se fosse necessario regolare la rotazione a bassa velocità (minimo), effettuare la modifica utilizzando la vite di regolazione del carburante (**A**).

## CONTROLLO DELLA ROTAZIONE A BASSA VELOCITÀ

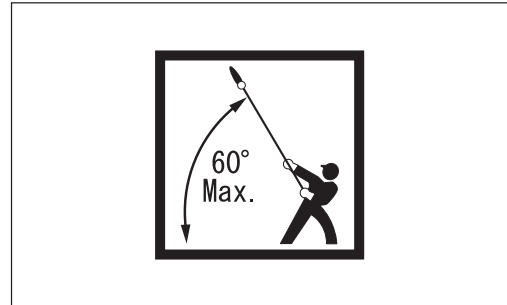
- Impostare la rotazione a bassa velocità su 3.000 min<sup>-1</sup>.  
Se è necessario cambiare la velocità di rotazione, operare sulla vite di regolazione con un cacciavite a stella.
- Ruotare la vite di regolazione a destra per aumentare la rotazione del motore. Ruotare la vite di regolazione a sinistra per diminuire la rotazione del motore.
- Il carburatore viene generalmente regolato prima della spedizione. Se fosse necessario regolarlo di nuovo è opportuno contattare un centro assistenza autorizzato.





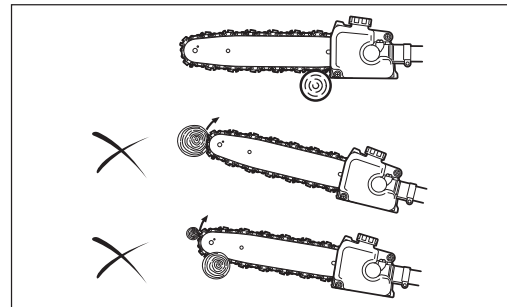
**Posizione verticale**

- Sostare su una superficie stabile. Angolare la sega per potatura di 60° rispetto al piano orizzontale.
- Tagliare inizialmente i rami più bassi, ossia quelli che cadono più facilmente.
- Assicurare sempre una via di fuga nel caso in cui il ramo tagliato cada contro l'operatore.



**Metodo**

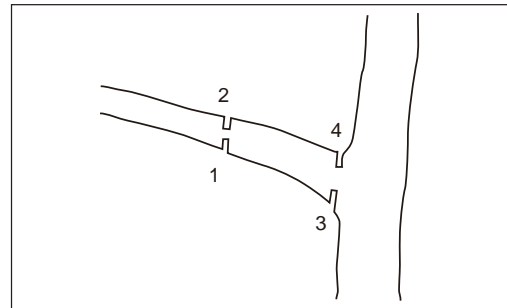
- Avviare il motore e tirare l'acceleratore fino a quando la catena della sega non raggiunge la massima velocità.
- Premere la catena della sega leggermente sul ramo. Non esercitare eccessiva forza sull'apparecchio, altrimenti si corre il rischio di danneggiarlo.
- Non utilizzare la punta della barra di guida per eseguire tagli. In caso contrario si potrebbero verificare pericolosi contraccolpi che a loro volta potrebbero causare lesioni personali.



**Suggerimenti per tagliare i rami più grossi**

Attenersi alla seguente procedura per tagliare i rami più grossi.

1. Fare una piccola tacca sul lato inferiore del ramo alla distanza a cui si intende tagliare.
2. Tagliare il ramo dal lato superiore rispetto a quello in cui è stata praticata la tacca.
3. Fare una piccola tacca sul lato inferiore del ramo da tagliare.
4. Tagliare all'altezza del punto desiderato procedendo dal lato superiore.



**ISTRUZIONI PER LA MANUTENZIONE**

**ATTENZIONE:** Prima di effettuare qualsiasi intervento sull'utensile, spegnere il motore e staccare la candela (vedere "Controllo della candela").  
 Indossare sempre i guanti di protezione!  
 Appoggiare sempre l'utensile in posizione orizzontale per effettuare l'ispezione o la manutenzione. Il montaggio o la regolazione in posizione verticale potrebbero causare gravi infortuni.  
 Applicare sempre il coperchio della barra di guida durante gli interventi di manutenzione.

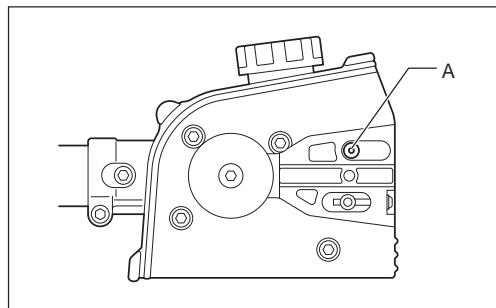
Per garantire una vita utile prolungata ed evitare danni all'utensile, è opportuno effettuare periodicamente le seguenti operazioni di manutenzione.

**Controllo e manutenzione giornalieri**

- Prima dell'uso, controllare l'utensile alla ricerca di viti allentate o parti mancanti. Prestare particolare attenzione al montaggio degli accessori.
- Prima dell'uso, controllare che il passaggio dell'aria di raffreddamento e le alette del cilindro non siano ostruiti. Procedere alla pulizia, se necessario.
- Dopo l'uso quotidiano è necessario effettuare le seguenti operazioni:
  - Pulire esternamente l'apparecchio e verificare la presenza di danni.
  - Pulire il filtro dell'aria. Se il lavoro avviene in ambienti particolarmente polverosi il filtro deve essere pulito più volte al giorno.
  - Controllare che vi sia una differenza sufficiente fra il minimo e la velocità di lavoro, in modo che l'accessorio rimanga fermo quando il motore è al minimo (se necessario è possibile ridurre la velocità al minimo).  
 Se l'utensile continua a funzionare anche al minimo, è opportuno rivolgersi al rappresentante autorizzato dell'assistenza di zona.
- Controllare il funzionamento dell'interruttore I-O, della sicura di accensione e della leva di comando.

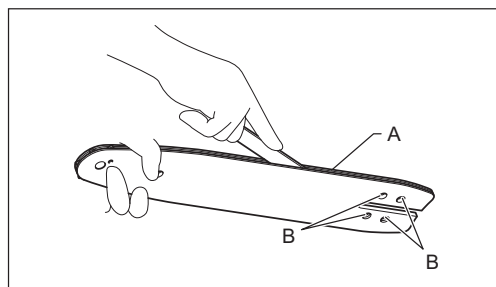
## Pulizia dell'apertura di erogazione dell'olio per catena

Pulire quotidianamente l'apertura di erogazione dell'olio per catena (A). Per accedervi, rimuovere il supporto della barra e la barra di guida.



## Pulizia e ispezione della barra di guida

Pulire quotidianamente la barra di guida. Rimuovere la segatura dalla scanalatura (A) e dall'apertura di erogazione dell'olio per catena (B). Per evitare l'usura su un solo lato della barra di guida è consigliabile capovolgerla ogni volta che si sostituisce o si affila la catena della sega. Se la scanalatura è usurata, piegata, crepata o deformata è necessario sostituire la barra di guida.



## Ispezione della catena della sega

Se la catena della sega è usurata, deformata, crepata o se il taglio richiede uno sforzo più intenso, è opportuno sostituire la catena della sega o richiedere a un centro assistenza autorizzato Makita di affilarla.

## Lubrificazione delle parti in movimento

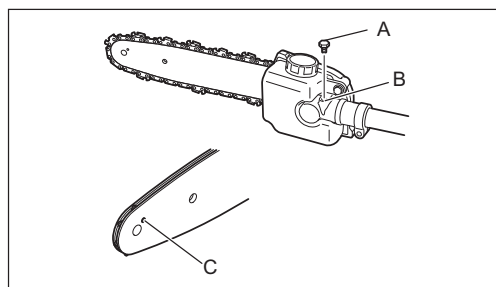
**AVVISO:** Attenersi alle istruzioni per conoscere la frequenza e la quantità di grasso da utilizzare. In caso contrario, una lubrificazione insufficiente potrebbe danneggiare le parti in movimento.

Scatola degli ingranaggi:

Rimuovere il tappo del grasso (A) e rifornire di grasso al litro attraverso l'ingrassatore (B) ogni 25 ore di servizio.

Punta della barra di guida:

Applicare il grasso (Shell Alvania n. 2 o equivalente) dal foro di ingrassaggio (C) ogni 10 ore di funzionamento.



## SOSTITUZIONE DELL'OLIO MOTORE

L'olio motore deteriorato riduce notevolmente la durata delle parti scorrevoli e rotanti. Controllare quindi il periodo e la quantità della sostituzione.



**ATTENZIONE:** In generale, il gruppo principale del motore e l'olio motore rimangono caldi dopo l'arresto del motore. Prima di sostituire l'olio, verificare che il gruppo principale del motore e l'olio motore si siano raffreddati. Diversamente, è possibile procurarsi ustioni.

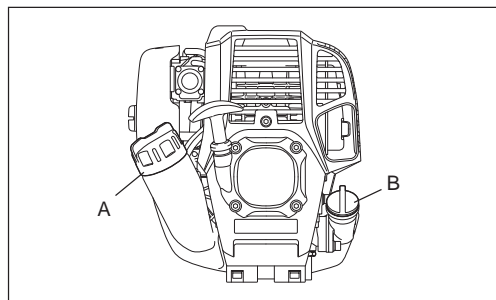
**Nota:** Se l'olio supera il limite possono verificarsi contaminazioni o incendi che producono fumo bianco.

**Intervallo di sostituzione:** Inizialmente dopo 20 ore di funzionamento, successivamente ogni 50 ore di funzionamento

**Olio consigliato:** Olio SAE 10W-30, classificazione API, classe SF o superiore (motore a quattro tempi per automobili)

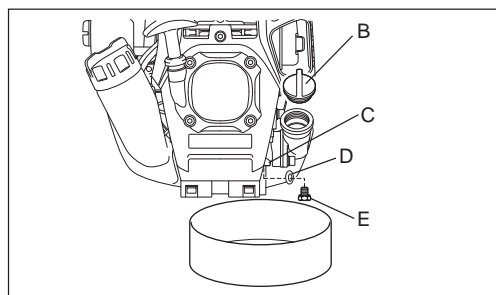
Per la sostituzione attenersi alla seguente procedura.

- 1) Verificare che il tappo del serbatoio del carburante (A) sia serrato.
- 2) Posizionare un grande contenitore (vaschetta, ecc.) sotto il foro di drenaggio (C).



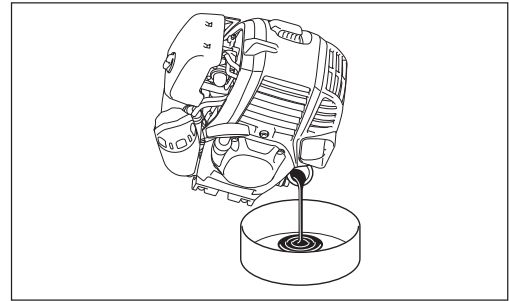
- 3) Rimuovere il bullone di drenaggio (E), quindi rimuovere il tappo dell'olio (B) per scaricare l'olio dal foro di drenaggio. Durante questa operazione è importante non smarrire la guarnizione del bullone di drenaggio (D) e non sporcare i componenti rimossi.

- 4) Una volta scaricato l'olio, unire la guarnizione e il bullone di drenaggio, poi serrare quest'ultimo in modo che non si allenti e causi perdite.  
\* Usare un panno per rimuovere l'olio che ha aderito al bullone e all'apparecchio.

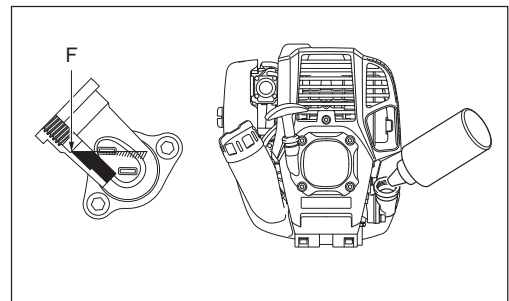
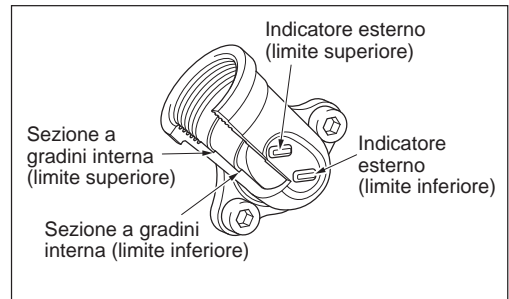


#### Metodo di drenaggio alternativo

Rimuovere il tappo dell'olio, inclinare l'utensile verso il foro di rabbocco e scaricare l'olio.  
Raccogliere l'olio in un contenitore.



- 5) Posizionare il motore in piano e rabboccare gradatamente l'olio fino all'indicatore di limite superiore (**F**).
- 6) Una volta completato il rifornimento, serrare il tappo dell'olio in modo che non si allenti provocando perdite.  
Se il tappo dell'olio non è ben avvitato potrebbe perdere.



#### **INFORMAZIONI UTILI SULL'OLIO**

- Non gettare l'olio motore sostituito nella spazzatura, nel terreno o nei tombini. Lo smaltimento dell'olio è regolamentato dalle leggi. Per lo smaltimento attenersi sempre a leggi e regolamenti in vigore. Per qualsiasi informazione rivolgersi al rappresentante autorizzato dell'assistenza.
- L'olio si deteriora anche se resta inutilizzato. Eseguire regolarmente l'ispezione e la sostituzione (sostituire l'olio ogni 6 mesi).

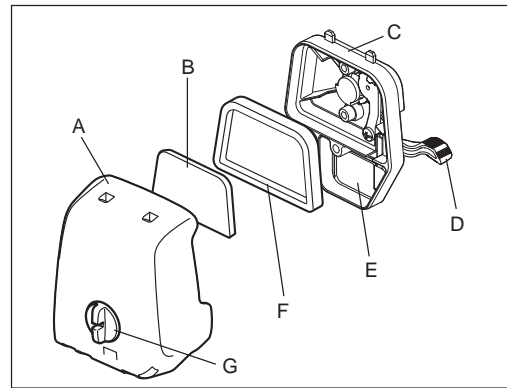
## PULIZIA DEL FILTRO DELL'ARIA



**PERICOLO: DIVIETO DI UTILIZZO DI INFIAMMABILI**

**Intervallo di pulizia e ispezione: Quotidiana (ogni 10 ore di funzionamento)**

- Ruotare la leva del dispositivo di avviamento (**D**) in modo che sia completamente chiusa e tenere il carburatore lontano da polvere e sporcizia.
- Allentare il bullone di fissaggio (**G**).
- Rimuovere il coperchio del filtro dell'aria (**A**) spingendo sul lato inferiore.
- Rimuovere gli elementi (**B**) (**F**) e picchiettarli per rimuovere lo sporco.
- Se gli elementi sono seriamente contaminati: rimuovere gli elementi, immergerli in acqua calda o in un detergente neutro diluito con acqua e lasciarli asciugare completamente. Non strizzarli o strofinarli durante il lavaggio.
- Lasciare asciugare completamente gli elementi prima di rimontarli. Un'asciugatura insufficiente degli elementi può comportare difficoltà nell'avviamento.
- Utilizzare un panno usa e getta per rimuovere l'eventuale olio presente sul coperchio del filtro dell'aria e sulla sezione di sfiato (**E**).
- Inserire l'elemento (spugna) (**B**) nell'elemento (feltro) (**F**). Montare gli elementi nella piastra (**C**) in modo che la spugna sia rivolta verso il coperchio del filtro dell'aria.
- Subito dopo la pulizia, montare il coperchio del filtro e serrarlo con i bulloni di fissaggio. Durante il rimontaggio è necessario inserire prima la pinza superiore e poi quella inferiore.



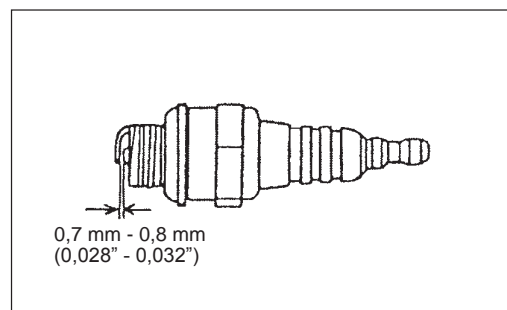
### AVVISO:

- pulire gli elementi più volte al giorno se la polvere è eccessiva. Gli elementi sporchi riducono la potenza del motore e rendono difficoltoso l'avviamento del motore.
- Rimuovere l'olio dagli elementi. Se l'utilizzo continua senza che l'olio venga rimosso dagli elementi, l'olio all'interno del filtro dell'aria potrebbe fuoriuscire, provocando una contaminazione dell'ambiente.
- Non appoggiare gli elementi a terra o in luoghi sporchi. In caso contrario, gli stessi raccolgono sporcizia e detriti. Ciò potrebbe danneggiare il motore.
- Non usare il carburante per la pulizia degli elementi. Il carburante potrebbe danneggiarli.

## CONTROLLO DELLA CANDELA

- Usare esclusivamente la chiave universale in dotazione per rimuovere o montare la candela.
- La distanza tra i due elettrodi della candela deve essere compresa tra 0,7 e 0,8 mm (0,028" - 0,032"). Se la distanza è superiore o inferiore a questo intervallo, è necessario regolarla. Se la candela è ostruita o contaminata occorre pulirla accuratamente o sostituirla.

**ATTENZIONE:** Non toccare mai il connettore della candela mentre il motore è acceso (pericolo di folgorazione da alta tensione).



## PULIZIA DEL FILTRO DEL CARBURANTE

### AVVERTENZA: DIVIETO DI UTILIZZO DI INFIAMMABILI

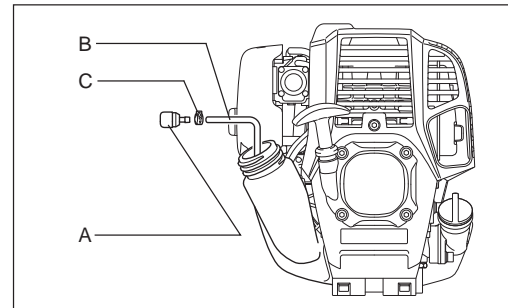
Intervallo di pulizia e ispezione: Mensile (ogni 50 ore di funzionamento)

#### Testina di aspirazione nel serbatoio del carburante

Controllare il filtro del carburante (A) periodicamente. Per controllare il filtro del carburante, procedere come segue.

- (1) Rimuovere il tappo del serbatoio del carburante e svuotare il carburante. Controllare che nel serbatoio non vi siano corpi estranei. Eventualmente rimuoverli.
- (2) Servendosi di un gancio metallico, estrarre la testina di aspirazione attraverso l'apertura.
- (3) Se il filtro del carburante è ostruito, pulirlo. Per pulirlo, scuoterlo delicatamente e picchiettare per far uscire il carburante. Per evitare di danneggiarlo, non strizzare o strofinare il filtro. La benzina usata per la pulizia deve essere smaltita in accordo alle legislazioni vigenti nel proprio paese.  
Sostituire i filtri del carburante induriti o pesantemente ostruiti.
- (4) Dopo i controlli, la pulizia o la sostituzione, inserire il filtro del carburante nel tubo del carburante (B) e fissarlo con la fascetta per tubi (C). Spingere il filtro del carburante fino in fondo al serbatoio del carburante.

I filtri ostruiti o danneggiati possono causare un afflusso insufficiente di carburante al motore, riducendone la potenza. Sostituire il filtro del carburante con una frequenza almeno trimestrale, in modo da garantire un'erogazione costante di carburante al carburatore.



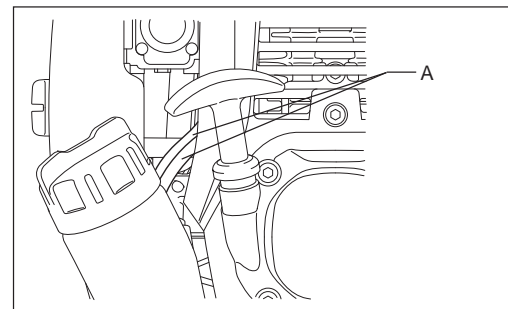
## SOSTITUZIONE DEL TUBO DEL CARBURANTE

### ATTENZIONE: DIVIETO DI UTILIZZO DI INFIAMMABILI

Intervallo di pulizia e ispezione: Quotidiana (ogni 10 ore di funzionamento)

Sostituzione: Annuale (ogni 200 ore di funzionamento)

Sostituire il tubo del carburante (A) una volta l'anno, indipendentemente dalla frequenza di utilizzo. Le perdite di carburante potrebbero dar luogo a incendi. Se durante l'ispezione vengono rilevate perdite, sostituire immediatamente il tubo del carburante.



## ISPEZIONE DI BULLONI, DADI E VITI

- Serrare bulloni, dadi e viti allentati.
- Verificare se vi sono perdite di carburante e olio.
- Sostituire le parti danneggiate per garantire la sicurezza.

## PULIZIA DEI COMPONENTI

- Il motore deve essere mantenuto sempre pulito.
- Rimuovere costantemente la polvere e la sporcizia dalle alette del cilindro. La polvere o la sporcizia che aderisce alle alette può causare il grippaggio del pistone.

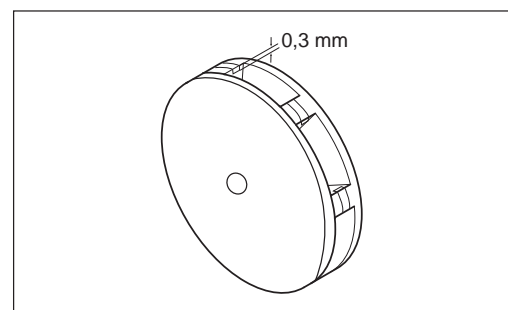
## SOSTITUZIONE DELLE GUARNIZIONI

Sostituire le guarnizioni ogni volta che si smonta e rimonta il motore.

Qualunque attività di manutenzione o di regolazione non descritta nel presente manuale deve essere affidata ai rappresentanti autorizzati dell'assistenza.

## ISPEZIONE DEL PIGNONE

Verificare la presenza di usura sul pignone ogni 50 ore di utilizzo. Sostituirlo se i segni dell'usura hanno una profondità di 0,3 mm o superiore.



## Affilatura della catena

### Affilare la catena se:

- Il taglio di legno bagnato produce segatura farinosa;
- La catena penetra nel legno con difficoltà, anche applicando una forte pressione;
- Il tagliante delle maglie è visibilmente danneggiato;
- La sega vira a destra o sinistra nel ceppo di legno. Tale comportamento è causato da un'affilatura non uniforme della catena o a rotture su un solo lato.

### Affilare la catena con una certa frequenza, ma a ogni affilatura asportare solo una superficie ridotta.

Per un'affilatura ordinaria, sono sufficienti due o tre colpi di lima. Dopo diverse affilature, far affilare la catena da un centro assistenza autorizzato MAKITA.

### Criteri di affilatura:

- La lunghezza delle lame (**A**) deve essere uguale. Lame di lunghezza diversa non consentono un corretto funzionamento della catena e possono essere causa della sua rottura.
- Lo spessore dei trucioli è determinato dalla distanza tra il limitatore di profondità (dentino) e il tagliante (**B**).
- I migliori risultati di taglio si ottengono con la seguente distanza tra il tagliante e il dentino.

Lama catena 91VXL: 0,64 mm (0,025")



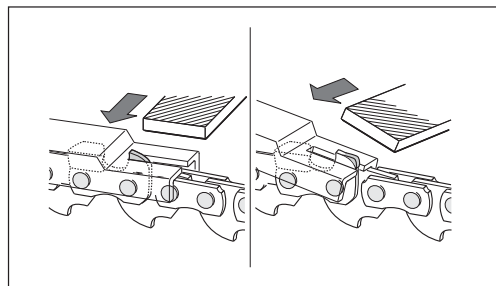
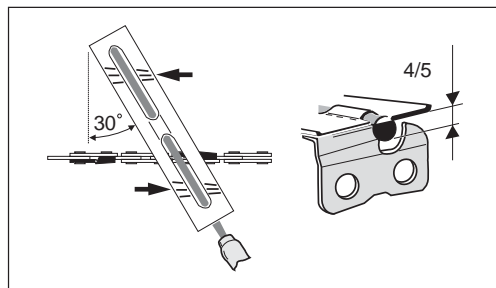
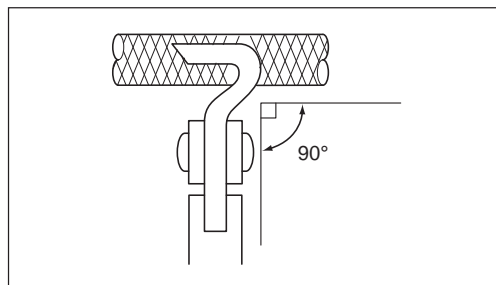
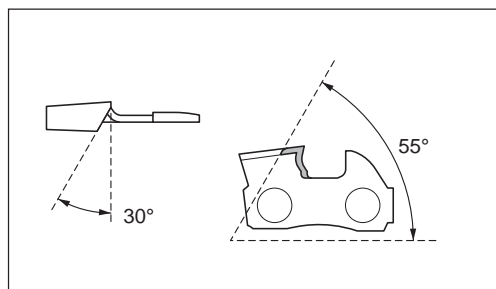
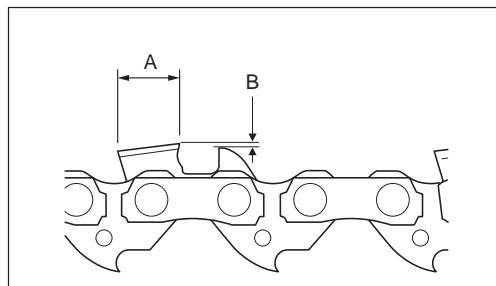
**AVVERTENZA:** Una distanza eccessiva accresce il rischio di contraccolpo.

- L'angolo di affilatura di 30° deve essere uguale per tutte le lame. Eventuali differenze di angolatura provocano un funzionamento irregolare dell'utensile, maggiore usura e più frequenti rotture della catena.
- L'angolo di inclinazione della lama è determinato dalla profondità di penetrazione della lima tonda. Se la lima specifica viene utilizzata in modo corretto, si ottiene automaticamente l'angolatura di inclinazione laterale richiesta.
- L'angolazione per ciascuna catena della sega è la seguente:

Lama catena 91VXL: 55°

### Lima e guida della lima

- Usare una speciale lima tonda (accessorio opzionale) per le catene della sega al fine di affilare la catena stessa. Non è possibile utilizzare le normali lime tonde.
- Il diametro della lima tonda per ciascuna catena della sega è il seguente:  
Lama catena 91VXL: 4,0 mm (5/32")
- La lima deve passare sulla lama solo nel colpo in avanti. Sollevare la lima dalla lama nel percorso di ritorno.
- Limare innanzi tutto la lama più corta. Dopo di che la lunghezza della lama più corta diventerà lo standard di riferimento per tutte le lame della catena della sega.
- Guidare la lima come mostrato.
- L'uso della lima può essere ottimizzato utilizzando un affilatore (accessorio opzionale). L'affilatore presenta dei segni di riferimento per eseguire un corretto angolo di affilatura di 30° (allineare i segni parallelamente alla catena); esso limita inoltre la profondità di penetrazione (a 4/5 del diametro della lima).
- Dopo l'affilatura, verificare l'altezza del limitatore di profondità utilizzando un calibro di profondità (accessorio opzionale).
- Rimuovere eventuale materiale sporgente, benché di minima entità, utilizzando una speciale lima piatta (accessorio opzionale).
- Arrotondare nuovamente il bordo anteriore del dentino.

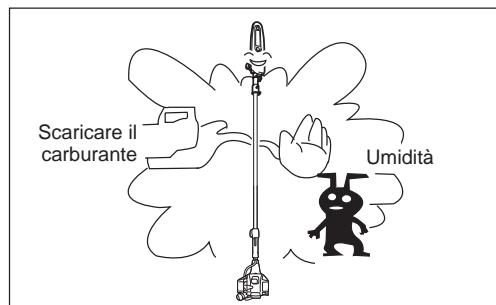




**AVVERTENZA: Durante lo scarico del carburante, assicurarsi di arrestare il motore e verificare che il motore si sia raffreddato. Il motore è ancora caldo dopo l'arresto del motore. Attendere il raffreddamento, altrimenti sussiste il rischio di incendi e ustioni.**

Se l'apparecchio rimane inutilizzato a lungo, attenersi alla seguente procedura:

- Drenare il carburante dal serbatoio e dal carburatore attenendosi alla procedura riportata di seguito:
  - 1) Rimuovere il tappo del serbatoio del carburante e scaricare completamente il carburante. Se nel serbatoio rimangono corpi estranei, rimuoverli completamente.
  - 2) Estrarre il filtro del carburante dallo sportello di rabbocco utilizzando un filo.
  - 3) Premere la pompa di adescamento fino a scaricare tutto il carburante, quindi scaricare il carburante penetrato nel serbatoio del carburante.
  - 4) Rimontare il filtro nel serbatoio del carburante e serrare il relativo tappo.
  - 5) Lasciare il motore in funzione fino all'arresto.
- Scaricare l'olio per catena.
- Rimuovere la catena della sega e la barra di guida.
- Pulire la scanalatura della barra di guida.
- Lubrificare leggermente la catena della sega e la barra di guida.
- Staccare la candela e lasciar cadere diverse gocce di olio motore nel foro della candela.
- Tirare delicatamente l'impugnatura di avviamento per far circolare l'olio nel motore, quindi inserire la candela.
- In linea generale, riporre l'apparecchio in posizione orizzontale. Se ciò non fosse possibile, posizionare l'apparecchio affinché l'unità motore sia sotto l'utensile da taglio. In caso contrario potrebbero verificarsi perdite di olio motore dall'interno.
- Assicurarsi di conservare l'apparecchio in un luogo sicuro per prevenire danni all'apparecchio e lesioni personali.
- Conservare il carburante scaricato in un contenitore speciale posto in un ambiente ben aerato.



**Attenzione dopo una lunga conservazione**

- Prima dell'avviamento dopo una fase di inutilizzo prolungata, assicurarsi di sostituire il motore (vedere "SOSTITUZIONE DELL'OLIO MOTORE"). L'olio si deteriora anche se l'utensile resta inutilizzato.

**Individuazione dei guasti**

Guasto	Sistema	Osservazione	Causa
Il motore non si avvia o si avvia con difficoltà	Sistema di accensione	Scintilla di accensione presente	Guasto nell'alimentazione del carburante o nel sistema di compressione, difetto meccanico
		Nessuna scintilla di accensione	Interruttore di ARRESTO azionato, errore di cablaggio o corto circuito, candela o connettore difettoso, modulo di accensione guasto
	Alimentazione del carburante	Serbatoio del carburante pieno	Posizione della levetta dell'aria incorretta, carburatore difettoso, linea di alimentazione del carburante piegata o bloccata, carburante sporco
	Compressione	Compressione assente all'avvio	Guarnizione inferiore del cilindro difettosa, guarnizioni dell'albero motore danneggiate, anelli del cilindro o del pistone difettosi, tenuta difettosa della candela
Problemi nell'avviamento a caldo	Guasto meccanico	Avviamento non innestato	Molla di avviamento rotta, parti danneggiate all'interno del motore
		Serbatoio pieno, scintilla di accensione presente	Carburatore contaminato, effettuarne la pulizia
Il motore si avvia ma si spegne immediatamente	Alimentazione del carburante	Serbatoio pieno	Regolazione del minimo errata, carburatore contaminato
Prestazioni insufficienti	Possono essere interessati più sistemi contemporaneamente	Minimo del motore insoddisfacente	Apertura del serbatoio del carburante difettosa, linea di alimentazione del carburante interrotta, cavo o interruttore di ARRESTO difettosi
			Filtro dell'aria contaminato, carburatore contaminato, marmitta intasata, condotto di scarico nel cilindro intasato

Componente	Tempo di funzionamento	Prima dell'uso	Dopo la lubrificazione	Ogni giorno (10 ore)	25 ore	50 ore	200 ore	Interruzione/pausa
Intera unità	Ispezionare visivamente	○						
Olio motore	Ispezionare	○						
	Sostituire					○*1		
Serraggio dei componenti (bullone, dado)	Ispezionare	○						
Serbatoio del carburante	Ispezionare	○						
	Scaricare il carburante							○*3
Comando dell'acceleratore	Controllare il funzionamento	○	○					
Interruttore di arresto	Controllare il funzionamento	○	○					
Velocità al minimo	Controllare/regolare			○				
Filtro dell'aria	Pulire			○				
Candela di accensione	Ispezionare			○				
Condotto dell'aria di raffreddamento	Pulire/ispezionare			○				
Tubo del carburante	Ispezionare			○				
	Sostituire						⊙*2	
Filtro del carburante	Pulire/sostituire					○		
Gioco valvola (valvola di aspirazione e valvola di scarico)	Controllare/regolare						⊙*2	
Surriscaldamento del motore							⊙*2	
Carburatore	Scaricare il carburante							○*3
Apertura di erogazione dell'olio per catena	Pulire			○				
Barra di guida	Pulire la scanalatura e l'apertura di erogazione dell'olio per catena			○				
	Ispezionare			○				
	Ingrassare			○				
Scatola degli ingranaggi	Ingrassare				○			
Pignone	Ispezionare					○		
Catena della sega	Sostituire o richiederne l'affilatura							○*4

\*1 Eseguire la sostituzione iniziale dopo 20 ore di funzionamento.

\*2 Per l'ispezione dopo 200 ore di funzionamento, rivolgersi a un centro assistenza autorizzato.

\*3 Dopo aver svuotato il serbatoio del carburante, lasciare il motore in funzione e drenare il carburante nel carburatore.

\*4 Qualora richiesto.



## RISOLUZIONE DEI PROBLEMI

Prima di richiedere una riparazione è opportuno individuare il problema autonomamente. Se viene rilevata un'anomalia, controllare l'utensile secondo la descrizione riportata nel presente manuale. Non smontare o manomettere le parti non indicate nella descrizione. Per le riparazioni rivolgersi all'agente autorizzato dell'assistenza o al rivenditore di zona.

Anomalia	Probabile causa (problema di funzionamento)	Soluzione
Il motore non si avvia	Impossibile utilizzare la pompa di adescamento.	Premere da 7 a 10 volte.
	Velocità di tiraggio ridotta della corda di avviamento.	Tirare con forza.
	Mancanza di carburante.	Rifornire il carburante.
	Filtro del carburante intasato.	Pulire.
	Scollegare il tubo del carburante.	Collegare correttamente il tubo del carburante.
	Tubo del carburante piegato.	Raddrizzare il tubo del carburante.
	Carburante deteriorato.	Il carburante deteriorato rende difficoltoso l'avviamento. Sostituire con carburante nuovo. (Sostituzione consigliata: 1 mese.)
	Aspirazione eccessiva di carburante.	Portare il comando dell'acceleratore dalla posizione di velocità media alla posizione di velocità alta, quindi tirare l'impugnatura di avviamento fino ad avviare il motore. La catena della sega inizia a ruotare a seguito dell'avviamento del motore. Prestare la massima attenzione alla catena della sega. Se il motore ancora non si avvia, staccare la candela, asciugare l'elettrodo e rimontarli come in origine. Quindi, procedere all'avviamento come specificato.
	Tappo della candela staccato.	Fissarlo in modo saldo.
	Candela contaminata.	Pulire.
	Distanza anomala della candela.	Regolare la distanza.
	Altra anomalia della candela.	Sostituire.
	Carburatore anomalo.	Richiedere l'ispezione e la manutenzione.
	Impossibile tirare la corda di avviamento.	Richiedere l'ispezione e la manutenzione.
Sistema di comando anomalo.	Richiedere l'ispezione e la manutenzione.	
Il motore si arresta subito La velocità del motore non aumenta	Riscaldamento insufficiente.	Eseguire l'operazione di riscaldamento.
	La levetta dell'aria è nella posizione di "CHIUSURA" anche se il motore è stato riscaldato.	Portarla nella posizione di "APERTURA".
	Filtro del carburante intasato.	Pulire.
	Filtro dell'aria contaminato o intasato.	Pulire.
	Carburatore anomalo.	Richiedere l'ispezione e la manutenzione.
L'olio per catena non viene erogato.	Sistema di comando anomalo	Richiedere l'ispezione e la manutenzione.
	Il serbatoio dell'olio è vuoto.	Riempire il serbatoio dell'olio con olio per catena.
	L'apertura di erogazione dell'olio per catena è sporca.	Pulire l'apertura di erogazione dell'olio per catena sull'unità e sulla barra di guida.
La vite di regolazione della frequenza di erogazione dell'olio per catena non è nella posizione corretta.		Impostare correttamente la vite di regolazione.
La catena della sega non gira ↓ Spegnerne immediatamente il motore	La barra di guida è piegata o danneggiata.	Sostituire la barra di guida.
	Corpi estranei catturati dalla catena della sega.	Rimuovere i corpi estranei a motore fermo.
L'apparecchio vibra in modo anomalo ↓ Spegnerne immediatamente il motore	Sistema di comando anomalo.	Richiedere l'ispezione e la manutenzione.
	Barra di guida rotta, piegata o usurata.	Sostituire la barra di guida.
	Catena della sega allentata.	Regolare la tensione della catena della sega.
La catena della sega non si ferma ↓ Spegnerne immediatamente il motore	Sistema di comando anomalo.	Richiedere l'ispezione e la manutenzione.
	Rotazione al minimo elevata.	Regolare la velocità al minimo.
Il motore non si arresta ↓ Avviare il motore al minimo e portare la levetta dell'aria nella posizione di CHIUSURA	Problema con i cavi del comando dell'acceleratore.	Rivolgersi al centro assistenza per la sostituzione.
	Sistema di comando anomalo.	Richiedere l'ispezione e la manutenzione.
Il motore non si arresta	Scollegare il connettore dell'interruttore I-O.	Fissarlo in modo saldo.
	Impianto elettrico anomalo.	Richiedere l'ispezione e la manutenzione.

Se il motore non si avvia dopo l'operazione di riscaldamento:  
se non vengono rilevate anomalie, aprire l'acceleratore di circa 1/3 e avviare il motore.

Hartelijk dank voor uw aankoop van deze telescopische benzinstoksnoeizaag van MAKITA. Met trots bevelen wij u deze telescopische benzinstoksnoeizaag van MAKITA van harte aan als resultaat van een langdurig ontwikkelingsprogramma en jarenlange kennis en ervaring. Lees deze handleiding met daarin nauwkeurige beschrijvingen van de diverse punten die zijn hoogstaande prestaties demonstreren. Hierdoor bent u in staat de best mogelijke resultaten te behalen die de telescopische benzinstoksnoeizaag van MAKITA u kan bieden.



Inhoud	Pagina
Symbolen.....	106
Veiligheidsinstructies .....	107
Technische gegevens .....	113
Namen van onderdelen .....	114
Monteren en instellen .....	115
Vóór het begin van het werk.....	119
Tips voor gebruik en procedure voor stoppen .....	121
Bediening.....	123
Onderhoudsinstructies.....	123
Opslag .....	129

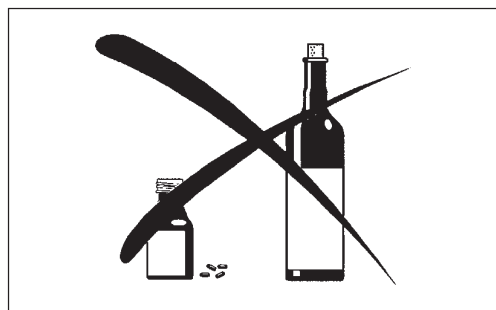
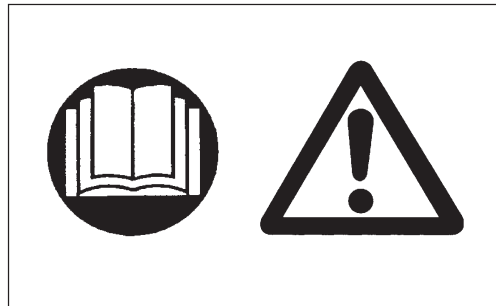
## SYMBOLEN

Let op de volgende symbolen wanneer u de gebruiksaanwijzing leest.

	Lees de gebruiksaanwijzing en houdt u aan de waarschuwingen en veiligheidsvoorzorgsmaatregelen!		Geen open vuur!
	Besteed bijzondere zorg en aandacht!		Kettingolie.
	Draag een veiligheidshelm, oog- en gehoorbescherming.		Houd mensen en huisdieren weg van het werkgebied!
	Veiligheidshandschoenen vereist!		Brandstof (benzine)
	Draag stevige schoenen met antislipzolen.		Motor handmatig starten
	De afstand tussen het gereedschap en omstanders en/of hoogspanningsleidingen (inclusief de boomtakken die ze aanraken) dient minstens 15 meter te zijn. Gevaar voor elektrische schokken en/of persoonlijk letsel.		EHBO
	Houd de stoksnoeizaag nooit vast onder een hoek groter dan 60°.		AAN/START
	Kettingsnelheid.		UIT/STOP
	Verboden!		Noodstop
	Verboden te roken!		

## Algemene instructies

- Voor een correcte gebruik dient de gebruiker deze gebruiksaanwijzing te lezen om zichzelf bekend te maken met de juiste manier van omgaan met het gereedschap. Gebruikers die onvoldoende geïnformeerd zijn, lopen de kans zichzelf en anderen in gevaar te brengen als gevolg van onjuist hanteren.
- Wij adviseren u het gereedschap uitsluitend uit te lenen aan personen die aantoonbare ervaring hebben in het gebruik van gereedschappen. Geef altijd de gebruiksaanwijzing mee.
- Beginnende gebruikers dienen de dealer te vragen om basisinstructies om zichzelf bekend te maken met het omgaan met motoraangedreven snoeigereedschap.
- Laat geen kinderen of jonge mensen die jonger zijn dan 18 jaar met het gereedschap werken. Jongeren die ouder zijn dan 16 jaar mogen echter het gereedschap gebruiken om te oefenen, maar alleen onder toezicht van een gekwalificeerde begeleider.
- Gebruik het gereedschap met de hoogstmogelijke zorg en aandacht.
- Gebruik het gereedschap alleen als u in goede lichamelijke conditie bent. Werk altijd rustig en voorzichtig. De gebruiker is aansprakelijk ten opzichte van anderen.
- Gebruik het gereedschap nooit na het gebruik van alcohol of drugs, of wanneer u zich moe of ziek voelt.
- Probeer nooit het gereedschap te wijzigen.
- Nationale regelgeving kan het gebruik van het gereedschap beperken. Houd u aan de regelgeving zoals die in uw land geldt voor het hanteren van stoksnoeizagen en kettingzagen.

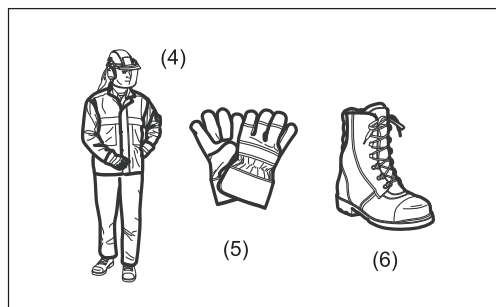
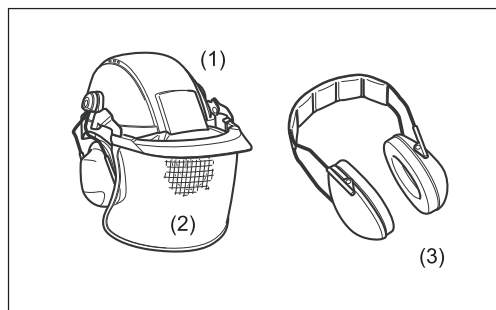


## Bedoeld gebruik van het gereedschap

Dit gereedschap is uitsluitend ontworpen met als doel het snoeien van takken met een diameter van minder dan 15 cm. Gebruik het gereedschap nooit voor enig ander doel. Misbruik van het gereedschap kan leiden tot ernstig letsel.

## Persoonlijke-veiligheidsuitrusting

- De te dragen kleding dient functioneel en geschikt te zijn, d.w.z. nauwsluitend zonder te hinderen. Draag geen juwelen of kleding die in de struiken kunnen verstrikt raken.
- Om tijdens het gebruik letsels aan hoofd, ogen, handen of voeten te voorkomen en uw gehoor te beschermen, moeten de volgende veiligheidsuitrusting en beschermende kleding worden gebruikt terwijl u werkt.
- Draag altijd een helm wanneer het risico bestaat op vallende objecten. U moet de veiligheidshelm (1) regelmatig controleren op schade en uiterlijk na 5 jaar worden vervangen. Gebruik alleen goedgekeurde veiligheidshelmen.
- Het spatscherm (2) van de helm (of de veiligheidsbril) beschermt het gezicht tegen rondvliegend afval en opspringende stenen. Draag tijdens het gebruik altijd een veiligheidsbril of een spatscherm om letsel aan de ogen te voorkomen.
- Draag geschikte uitrusting om u te beschermen tegen het lawaai en gehoorbeschadiging te voorkomen (oorbeschermers (3), oordopjes, enz.).
- Een werkoverall (4) beschermt tegen rondvliegend afval en opspringende stenen. Wij raden u sterk aan een werkoverall te dragen.
- Speciale handschoenen (5) van dik leer maken deel uit van de voorgeschreven uitrusting en moeten altijd worden gedragen tijdens de werkzaamheden.
- Draag altijd stevige schoenen (6) met een antislipzool wanneer u het gereedschap gebruikt. Dit beschermt u tegen letsel en garandeert dat u stevig staat.
- Draag altijd veiligheidshandschoenen wanneer u de zaagketting hanteert of de kettingspanning instelt. De zaagketting kan flinke snijwonden veroorzaken in blote handen.



## Veiligheid op de werkplek

- **⚠ Gevaar:** Houd de stoksnoeizaag ten minste 15 meter uit de buurt van hoogspanningsleidingen en communicatiekabels (inclusief de boomtakken die ze aanraken). Als u een hoogspanningsleiding nadert of aanraakt met de stoksnoeizaag, kan dat leiden tot de dood of ernstig letsel. Kijk of er hoogspanningsleidingen of schrikdraadafrasteringen in de buurt van het werkgebied zijn voordat u met de werkzaamheden begint.
- Bedien de stoksnoeizaag alleen bij goed zicht en daglicht. Bedien de stoksnoeizaag niet in het donker of in mist.
- Start en bedien de motor alleen buitenshuis op een goed geventileerde plaats. Gebruik in een gesloten ruimte of op een slecht geventileerde plaats kan leiden tot de dood als gevolg van verstikking of koolmonoxidevergiftiging.
- Tijdens gebruik mag u nooit op een instabiele of gladde ondergrond of op een steile helling staan. Let in de winter op ijs en sneeuw, en zorg er altijd voor dat u stevig staat.
- Houd tijdens gebruik omstanders en dieren tenminste 15 meter uit de buurt van de stoksnoeizaag. Zet de motor uit zodra iemand dichterbij komt.
- Onderzoek het werkgebied op draadafrasteringen, muren en andere massieve voorwerpen voordat u met de werkzaamheden begint. Zij kunnen de zaagketting beschadigen.
- **⚠ WAARSCHUWING:** Het gebruik van dit gereedschap kan stof opwerpen waarin chemische bestanddelen kunnen zitten die ziekten aan de luchtwegen of andere ziekten kunnen veroorzaken. Enkele voorbeelden van deze chemische bestanddelen zijn verbindingen die gevonden worden in pesticiden, insecticiden, meststoffen en herbiciden. Het risico van deze blootstellingen varieert en hangt af van hoe vaak u dit soort werkzaamheden uitvoert. Om blootstelling aan deze chemische bestanddelen te verminderen: moeten de werkzaamheden uitgevoerd worden in een goed geventileerde werkomgeving en gebruikmakend van goedgekeurde veiligheidsmiddelen, zoals stofmaskers die ontworpen zijn om microscopisch kleine deeltjes te filteren.

## In gebruik nemen

- Alvorens het gereedschap te monteren of af te stellen, zet u de motor uit en trekt u de bougiekap eraf.
- Voordat u de motor start, inspecteert u het gereedschap op beschadigingen, losse schroeven/moeren en verkeerde montage. Slijp de zaagketting als deze bot is. Als de zaagketting verbogen of beschadigd is, vervangt u hem. Controleer of alle bedieningshendels en -schakelaars gemakkelijk kunnen worden bediend. Maak de handgrepen schoon en droog.
- Probeer nooit de motor te starten als het gereedschap beschadigd is of nog niet volledig gemonteerd is. Als u zich hier niet aan houdt, kan ernstig letsel ontstaan.
- Stel de kettingspanning correct in. Vul zo nodig kettingolie bij.

## De motor starten

- Zorg ervoor dat geen kinderen of andere personen zich in de buurt bevinden, en let ook op of er geen dieren in de werkomgeving zijn.
- Trek de persoonlijke veiligheidsuitrusting aan voordat u de motor start.
- Zorg ervoor dat het hulpstuk op zijn plaats is bevestigd, controleer de gashendel op soepele bediening, en controleer de juiste werking van de uitvergrendelhendel.
- Als de zaagketting bij stationair toerental ronddraait, zet u de motor uit en verlaagt u het stationair toerental. Vraag bij twijfel een erkende servicecentrum om de afstelling uit te voeren. Controleer of de handgrepen schoon en droog zijn en test de werking van de aan-uitschakelaar.

Start de motor uitsluitend volgens de instructies.

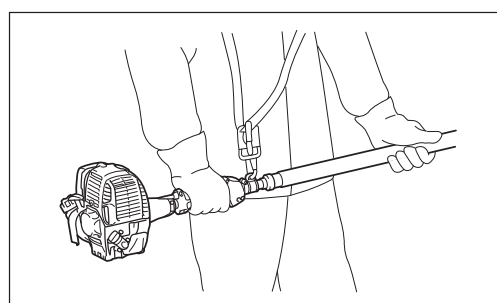
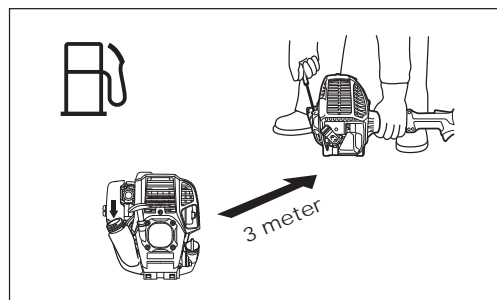
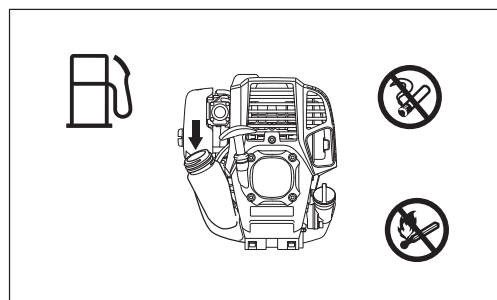
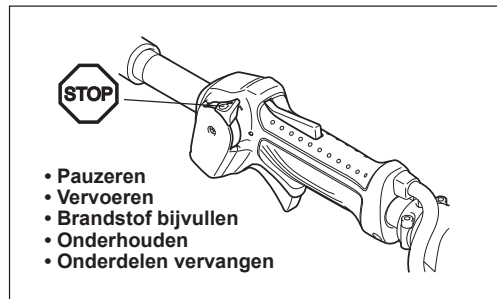
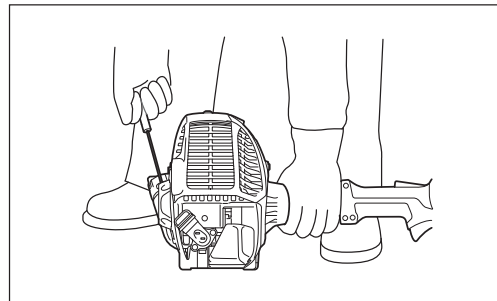
- Gebruik geen enkele andere methode om de motor te starten!
- Zet het gereedschap op een stevige plaats op de grond. Zorg ervoor dat u een goede balans hebt en dat u stevig staat.
- Houd het gereedschap met uw linkerhand stevig tegen de grond gedrukt en trek aan de trekstarthandgreep. Ga nooit met uw voet op de aandrijfas staan.
- Voordat u de motor start controleert u of zich geen personen of dieren binnen het werkgebied bevinden.
- Wanneer u de motor start, houdt u de zaagketting en het zaagblad uit de buurt van uw lichaam en andere voorwerpen, zoals de grond. De zaagketting kan gaan bewegen bij het starten en kan ernstig letsel of schade veroorzaken aan de zaagketting en/of eigendommen.
- De motor moet onmiddellijk uitgeschakeld worden in geval van enige motorstoring.
- Als de zaagketting stenen of andere harde voorwerpen raakt, moet u de motor onmiddellijk uitschakelen en het gereedschap controleren.
- Gebruik het gereedschap alleen terwijl het bevestigd is aan de schouderriem, die goed moet worden afgesteld voordat het gereedschap wordt gebruikt. Het is belangrijk de schouderriem af te stellen overeenkomstig de lichaamsgrootte van de gebruiker om vermoeidheid tijdens gebruik te voorkomen. Houd het snoeigereedschap nooit met slechts één hand vast tijdens het gebruik.
- Terwijl de motor slechts stationair loopt, maakt u het gereedschap vast aan het schouderdraagstel. Houd tijdens gebruik het gereedschap stevig tegen uw rechterzij.
- De hele veiligheidsuitrusting en alle beschermkappen die bij het gereedschap zijn geleverd, moeten tijdens het werk worden gebruikt.
- Gebruik het gereedschap nooit met een defecte uitlaatdemper.
- Behalve in noodgevallen mag u het gereedschap nooit op de grond laten vallen of weggooien omdat hierdoor het gereedschap zwaar beschadigd kan raken.

### Brandstof bijvullen

- Schakel de motor uit tijdens het bijvullen van brandstof, houd het gereedschap uit de buurt van open vuur en rook niet.
- Vermijd huidcontact met minerale-olieproducten. Adem de brandstofdampen niet in. Draag altijd veiligheidshandschoenen tijdens het bijvullen van de brandstof. Zorg dat u de beschermende kleding regelmatig vervangt en reinigt.
- Wees voorzichtig geen brandstof of olie te morsen om bodemverontreiniging te voorkomen (milieubescherming). Reinig het gereedschap onmiddellijk nadat brandstof erop is gemorst.
- Vermijd dat brandstof in aanraking komt met uw kleding. Kleed u onmiddellijk om als brandstof op uw kleding is gemorst (om te voorkomen dat de kleding vlam vat).
- Inspecteer de brandstofvuldop regelmatig om zeker te zijn dat de dop stevig kan worden aangedraaid en niet lekt.
- Draai de brandstofvuldop stevig vast. Verplaats het gereedschap voordat u de motor start (minstens 3 meters afstand tot de plaats waar brandstof is bijgevuld).
- Vul nooit brandstof bij in een gesloten vertrek. Brandstofdampen verzamelen zich vlak boven de vloer (risico van explosie).
- Vervoer en bewaar brandstof alleen in goedgekeurde tanks. Zorg dat de opgeslagen brandstof niet toegankelijk is voor kinderen.

### Gebruiksmethode

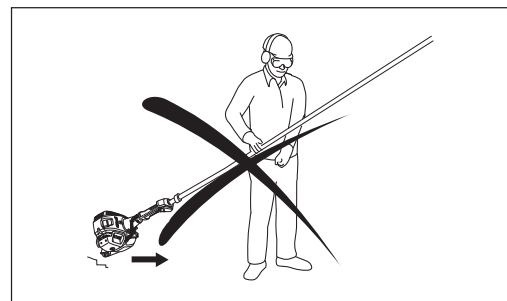
- In geval van nood zet u de motor onmiddellijk uit.
- Als u tijdens gebruik een ongebruikelijke situatie opmerkt (bijv. geluid, trillingen), zet u de motor uit. Gebruik het gereedschap niet meer totdat de oorzaak is opgespoord en verholpen.
- De zaagketting blijft gedurende een korte tijd doordraaien nadat de gashendel is losgelaten. Raak de zaagketting niet onmiddellijk aan.
- Houd de voorhandgreep met uw linkerhand vast, en houd de achterhandgreep met uw rechterhand vast, ongeacht of u links- of rechtshandig bent. Vouw uw vingers en duim om de handgrepen.
- Probeer nooit het gereedschap met één hand te bedienen. Als u de controle over het gereedschap verliest, kan dat leiden tot ernstig of fataal letsel. Om de kans op verwonding te verkleinen, houdt u uw handen en voeten uit de buurt van de zaagketting.
- Reik niet te ver. Zorg altijd voor een stevige stand en goede lichaamsbalans.
- Kijk uit voor verborgen obstakels, zoals boomstronken, boomwortels en greppels, om te voorkomen dat u valt. Ruim afgevalen takken en andere voorwerpen op.
- Nadat tegen het gereedschap is gestoten of het is gevallen, controleert u de conditie van het gereedschap voordat u de werkzaamheden hervat. Controleer het brandstofsysteem op brandstoflekkage, en de bedieningselementen en veiligheidsvoorzieningen op een juiste werking. Als enige beschadiging zichtbaar is of u twijfelt, vraagt u een erkend Makita-servicecentrum om inspectie en reparatie.
- Raak het tandwielhuis niet aan. Het tandwielhuis wordt tijdens gebruik erg warm.
- Wanneer u het gereedschap achterlaat, al is het maar even, zet u altijd de motor uit. Een onbeheerd gereedschap met een draaiende motor kan door onbevoegden worden gebruikt en tot een ernstig ongeval leiden.



- Denk aan het milieu. Vermijd onnodig gebruik van de gashendel zodat minder uitlaatgassen en geluid worden geproduceerd. Stel de carburateur goed af.
- Leg tijdens of na gebruik het warme gereedschap niet op droog gras of brandbare materialen.
- Houd uw rechterhand niet boven schouderhoogte.
- Stoot tijdens gebruik de zaagketting nooit tegen harde obstakels, zoals stenen of spijkers. Wees met name voorzichtig wanneer u takken langs een muur, draadafrastering en dergelijke, afzaagt.
- Als takken verstrikt raken in de zaagketting, zet u altijd de motor uit en trekt u de bougiekap eraf. Anders kan door onbedoeld starten ernstig letsel ontstaan.
- Als de zaagketting verstopt raakt, zet u altijd de motor uit en trekt u de bougiekap eraf voordat u reinigingswerkzaamheden uitvoert.
- Door het motortoerental te verhogen terwijl de zaagketting verstopt zit, wordt de belasting hoger en wordt de motor en/of koppeling beschadigd.
- Zorg ervoor dat u een vluchtroute hebt, weg van de vallende tak, voordat u de tak afzaagt. Ruim eerst alle obstakels op, zoals takken en twijgen, uit het werkgebied. Verplaats alle gereedschappen en voorwerpen op de vluchtroute naar een veilige plaats.
- Alvorens takken en twijgen af te zagen, controleert u de valrichting ervan, rekening houdend met de toestand van de takken en twijgen, andere bomen er omheen, de windrichting, enz. Let goed op de valrichting en het terug omhoog springen van de tak nadat deze op de grond is gevallen.
- Houd de stoksnoeizaag nooit vast onder een hoek groter dan 60°. Als u dat toch doet, kunnen vallende voorwerpen de gebruiker raken en ernstig letsel veroorzaken. Ga nooit onder de tak staan die wordt afgezaagd.
- Let goed op geknakte of gebogen takken. Zij kunnen terugspringen tijdens het zagen en onverwacht letsel veroorzaken.
- Voordat u de beoogde tak doorzaagt, verwijdert u de twijgen en bladeren eromheen. Als u dat niet doet, kunnen deze in de zaagketting klem komen te zitten.
- Om te voorkomen dat de zaagketting vastloopt in de zaagsnede, mag u de gashendel niet loslaten voordat u het gereedschap uit de zaagsnede hebt getrokken.
- Als de zaagketting in de zaagsnede is vastgelopen, zet u onmiddellijk de motor uit, beweegt u voorzichtig de tak om de zaagsnede te openen en bevrijdt u het gereedschap eruit.
- Voorkom terugslag (roterende reactiekracht in de richting van de gebruiker). Om terugslag te voorkomen, mag u nooit de punt van het zaagblad gebruiken om een zaagsnede te beginnen. Let altijd goed op de positie van de punt van het zaagblad.
- Controleer de kettingspanning vaak. Wanneer u de kettingspanning controleert of instelt, zet u de motor uit en trekt u de bougiekap eraf. Als de ketting te los staat, spant u hem.
- Gebruik het gereedschap met zo weinig mogelijk lawaai en vervuiling. Controleer met name de carburateur op een verkeerde afstelling.
- Sta nooit op een ladder met draaiend gereedschap.
- Klim nooit in een boom om daar met het gereedschap te werken.
- Wacht totdat de zaagketting op volle werksnelheid draait voordat u begint te zagen.
- Neem een pauze om te voorkomen dat u door vermoeidheid de controle over het gereedschap verliest. Wij adviseren u ieder uur 10 tot 20 minuten te rusten.

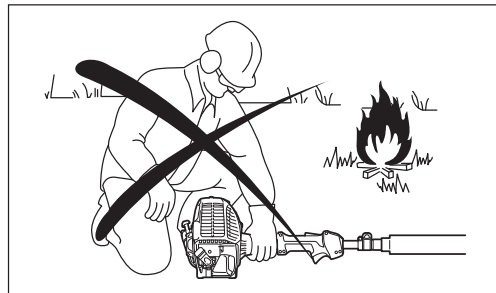
## Vervoeren

- Alvorens het gereedschap te vervoeren, zet u de motor uit en trekt u de bougiekap eraf.
- Plaats altijd de schede over het zaagblad wanneer u het gereedschap gaat vervoeren.
- Gebruik altijd de beschermingsdelen die bij het gereedschap werden geleverd.
- Draag het gereedschap in een horizontale stand door de schacht vast te houden. Houd de hete uitlaatdemper uit de buurt van uw lichaam.
- Wanneer u het gereedschap in een voertuig vervoert, zet u het goed vast om te voorkomen dat het omvalt. Als u dat niet doet, kan brandstof gemorst worden en kan het gereedschap en andere bagage beschadigd worden.
- Schakel de motor uit tijdens het vervoer.
- Zorg ervoor dat de brandstoftank helemaal leeg is.
- Let erop dat bij het uitladen van het gereedschap uit de auto de motor niet op de grond valt omdat hierdoor de brandstoftank ernstig kan worden beschadigd.
- Let erop dat u het hele gereedschap van de grond tilt wanneer u het verplaatst. Het is bijzonder gevaarlijk de brandstoftank over de grond te slepen omdat dit tot beschadiging en lekkage zal leiden, waardoor brand kan worden veroorzaakt.



## Onderhoudsinstructies

- Laat uw gereedschap onderhouden door ons erkende servicecentrum dat altijd uitsluitend gebruikmaakt van originele vervangingsonderdelen. Onjuiste reparatie en slecht onderhoud kan de levensduur van het gereedschap verkorten en de kans op ongevallen vergroten.
- Voordat u enige onderhouds-, reparatie- of schoonmaakwerkzaamheden uitvoert aan het gereedschap, zet u altijd de motor uit en trekt u de bougiekap eraf. Wacht totdat de motor is afgekoeld.
- Om de kans op brand te verkleinen, mag u nooit onderhouds- of reparatiewerkzaamheden uitvoeren in de buurt van een vuur.
- Draag altijd veiligheidshandschoenen wanneer u de zaagketting hanteert.
- Verwijder altijd stof en vuil vanaf het gereedschap. Gebruik voor dit doel nooit benzine, wasbenzine, thinner, alcohol, enz. Dit kan leiden tot verkleuren, vervormen of barsten van de kunststofdelen.
- Draai na ieder gebruik alle schroeven, bouten en moeren vast, uitgezonderd de stelschroeven.
- Houd de zaagketting scherp. Als de zaagketting bot is geworden en hij slecht zaagt, vraagt u een erkend Makita-servicecentrum om hem te slijpen of te vervangen door een nieuwe.
- Probeer geen onderhouds- of reparatiewerkzaamheden uit te voeren die niet worden beschreven in deze gebruiksaanwijzing. Vraag een erkend Makita-servicecentrum om dergelijke werkzaamheden uit te voeren.
- Maak het gereedschap regelmatig schoon en controleer of alle bouten en moeren stevig zijn vastgedraaid.
- Bewaar het gereedschap altijd in een afgesloten ruimte en met een lege brandstoftank.



## Opslag

- Alvorens het gereedschap op te slaan, voert u alle reinigings- en onderhoudswerkzaamheden uit. Plaats de schede over het zaagblad. Trek de bougiekap eraf. Tap de brandstof en kettinolie af, nadat de motor afgekoeld is.
- Berg het gereedschap op een droge en hoge of afgesloten plaats op, buiten bereik van kinderen.
- Laat het gereedschap nooit ergens tegenaan leunen, zoals tegen een muur. Anders kan deze plotseling omvallen en letsel veroorzaken.

Volg de relevante instructies voor het voorkomen van ongevallen die door de betreffende beroepsverenigingen en verzekeringsmaatschappijen zijn uitgegeven.

Breng geen wijzigingen aan het gereedschap aan, omdat hiermee uw veiligheid gevaar loopt.

Het uitvoeren van onderhoud of reparaties door de gebruiker is beperkt tot de activiteiten die in de gebruiksaanwijzing zijn beschreven. Alle andere werkzaamheden moet worden uitgevoerd door een erkend servicecentrum. Gebruik uitsluitend originele vervangingsonderdelen en accessoires die zijn vervaardigd en geleverd door MAKITA.

Het gebruik van niet-goedgekeurde accessoires en gereedschappen leidt tot een verhoogde kans op ongevallen.

MAKITA aanvaardt geen enkele aansprakelijkheid voor ongevallen of schade veroorzaakt door het gebruik van niet-goedgekeurde hulpstukken, bevestigingsmiddelen voor hulpstukken of accessoires.

## EHBO

Zorg dat er altijd een EHBO-does beschikbaar is in de buurt waar gezaagd wordt om eerste hulp te kunnen bieden bij eventuele ongevallen. Vervang onmiddellijk elk item dat uit de EHBO-does is genomen.

### Geef de volgende informatie wanneer u hulp inroept:

- Plaats van het ongeval
- Beschrijving van het ongeval
- Aantal gewonden
- Soort letsels
- Uw naam



## Trillingen

- Personen met een slechte bloedsomloop die worden blootgesteld aan sterke trillingen, kunnen verwondingen aan bloedvaten of het zenuwstelsel oplopen. Trillingen kunnen de volgende symptomen veroorzaken in de vingers, handen of polsen: "slapen" (ongevoeligheid), tintelingen, pijn, stekend gevoel, veranderen van huidskleur of van de huid. Als een van deze symptomen zich voordoet, raadpleegt u een dokter!
- Om de kans op deze 'witte-vingerziekte' te verkleinen, houdt u uw handen warm tijdens het werk en onderhoudt u het gereedschap en de accessoires goed.

---

## EU-VERKLARING VAN CONFORMITEIT

**Wij, Makita Corporation, als de verantwoordelijke fabrikant, verklaren dat de volgende Makita-machine(s):**

Aanduiding van de machine: Telescopische benzinstoksnoeizaag

Modelnr./Type: EY2650H

Technische gegevens: zie de tabel "TECHNISCHE GEGEVENS"

in serie zijn geproduceerd en

**Voldoen aan de volgende Europese richtlijnen:**

2006/42/EG

En zijn gefabriceerd in overeenstemming met de volgende normen of genormaliseerd documenten:

EN/ISO11680

De technische documentatie wordt bewaard door:

Makita International Europe Ltd., Technical Department,

Michigan Drive, Tongwell, Milton Keynes, Bucks MK15 8JD, Engeland

Het certificaatnummer van het EU-typeonderzoek als stoksnoeizaag is:

4813008.13001

De EU-typeonderzoek volgens 2006/42/EG werd uitgevoerd door:

DEKRA Testing and Certification GmbH Enderstraße 92b 01277 Dresden, Duitsland

Identificatienr. 2140

31. 10. 2013



Tomoyasu Kato

Directeur

Makita Corporation

3-11-8, Sumiyoshi-cho,

Anjo, Aichi, 446-8502 JAPAN



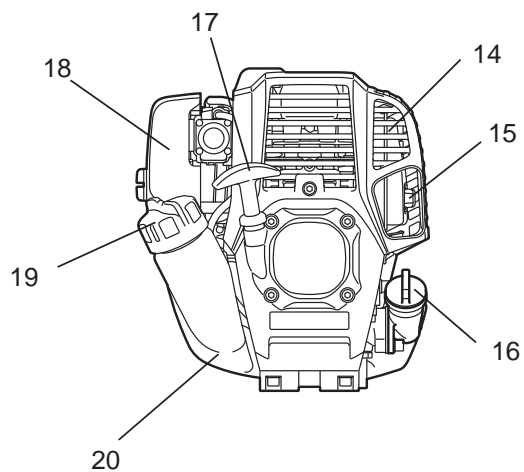
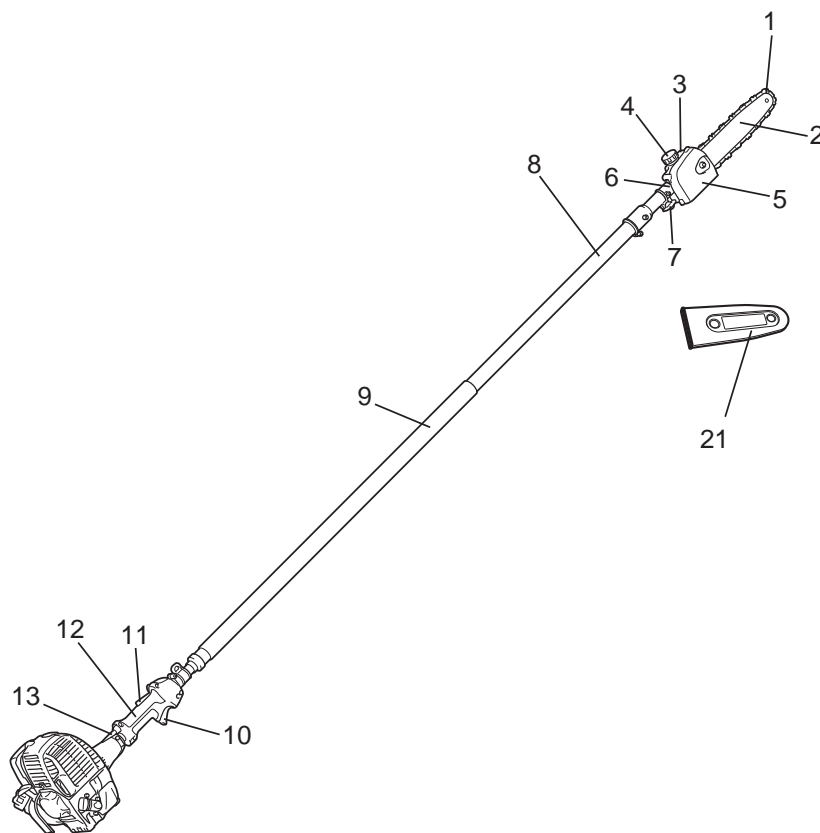
## TECHNISCHE GEGEVENS

Model		EY2650H		
Afmetingen: l x b x h	mm	2.720 - 3.920 x 223 x 240		
Gewicht	kg	7,2		
Inhoud brandstoftank	cm <sup>3</sup>	600		
Inhoud kettingolietank	cm <sup>3</sup>	120		
Cilinderinhoud	cm <sup>3</sup>	25,4		
Max. kettingsnelheid	m/s	21,0		
Maximaal motorvermogen		0,77 kW bij 7.000 toeren min <sup>-1</sup>		
Motortoerental bij aanbevolen max. astoerental	min <sup>-1</sup>	10.000		
Stationair toerental	min <sup>-1</sup>	3.000		
Toerental op aangrijppunt van koppeling	min <sup>-1</sup>	4.400		
Carburateur		Membraantype		
Bougie	Type	NGK CMR4A		
Elektrodenafstand	mm	0,7 - 0,8		
Brandstof		Benzine voor auto's		
Motorolie		Olie van API-classificatie, SF-klasse of beter, SAE 10W-30 (4-taktmotorolie voor auto's)		
Zaaglengte	mm	255		
Lengte zaagblad	mm (inch)	255 (10")		
Zaagketting		91VXL-39E		
Steek van de ketting	inch	3/8"		
Maat van ketting	mm (inch)	1,3 (0,05")		
Aantal tanden van kettingwiel		7		
Kettingolie		Originele Makita-kettingolie		
Kettingoliepomp		Plunjerpomp (zelfsmerend type)		
Trillingen volgens ISO 22867	Rechterhandgreep (achterhandgreep)	a <sub>hv eq</sub> (Schacht in kortste stand)	m/s <sup>2</sup>	5,3
		a <sub>hv eq</sub> (Schacht in langste stand)	m/s <sup>2</sup>	6,1
		Onzekerheid (K)	m/s <sup>2</sup>	2,0
	Linkerhandgreep (voorhandgreep)	a <sub>hv eq</sub> (Schacht in kortste stand)	m/s <sup>2</sup>	7,2
		a <sub>hv eq</sub> (Schacht in langste stand)	m/s <sup>2</sup>	8,6
		Onzekerheid (K)	m/s <sup>2</sup>	2,0
Gemiddeld geluidsdruk niveau volgens ISO 22868	L <sub>PA eq</sub>	dB (A)	89,5	
	Onzekerheid (K)	dB (A)	2,5	
Gemiddeld geluidsvermogen niveau volgens ISO 22868	L <sub>WA eq</sub>	dB (A)	107,3	
	Onzekerheid (K)	dB (A)	2,5	

- Als gevolg van ons doorlopende onderzoeks- en ontwikkelingsprogramma, zijn de technische gegevens van dit gereedschap onderhevig aan veranderingen zonder voorafgaande kennisgeving.
- De technische gegevens kunnen van land tot land verschillen.

## NAMEN VAN ONDERDELEN

EY2650H



NL	NAMEN VAN ONDERDELEN
1	Zaagketting
2	Zaagblad
3	Olietank
4	Olievuldop
5	Zaagbladhouder
6	Tandwielhuis
7	Knop
8	Telescoopschacht
9	Voorhandgreep
10	Gashendel
11	Uit-vergrendelhendel
12	Achterhandgreep
13	Gaskabel
14	Uitlaatdemper
15	Uitlaatpijp
16	Olievuldop
17	Trekstarthandgreep
18	Luchtfilter
19	Brandstofvuldop
20	Brandstoftank
21	Schede

## MONTEREN EN INSTELLEN

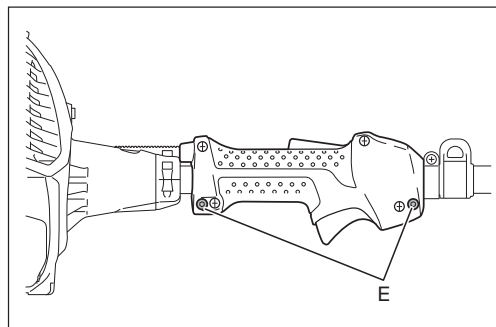
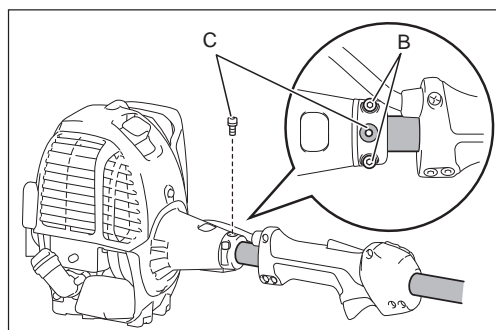
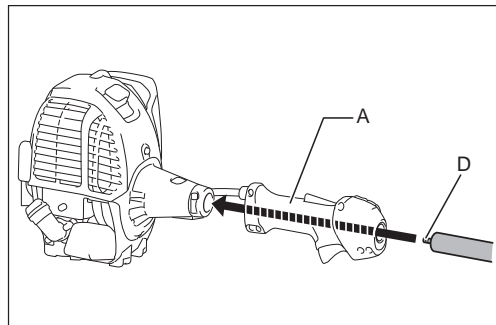
### WAARSCHUWING:

- Alvorens het gereedschap te monteren, af te stellen of te controleren, zet u de motor uit en trekt u de bougiekap eraf.
- Draag altijd veiligheidshandschoenen wanneer u de zaagketting hanteert.
- Wacht totdat de zaagketting is afgekoeld voordat u hem monteert, afstelt of controleert. De zaagketting wordt tijdens gebruik zeer heet en kan brandwonden veroorzaken.

### De schacht en het koppelingshuis monteren

Monteer de schacht als volgt aan de achterhandgreep en de motor:

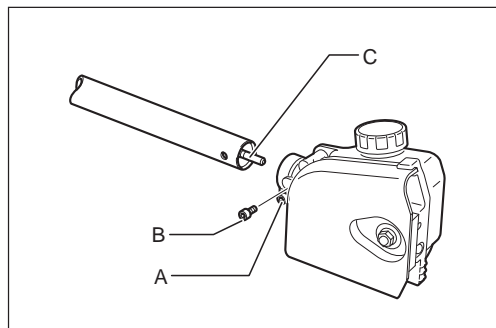
1. Steek de schacht door de achterhandgreep (A).
2. Draai de twee buitenste bevestigingsbouten (B) los en verwijder de middelste bout (C) op het koppelingshuis.
3. Steek de schacht in het koppelingshuis. Als het insteken moeilijk gaat, draait u de as (D) een stukje.
4. Lijn het gat in de schacht uit met het gat voor de middelste bout.
5. Draai de middelste bout vast.
6. Draai de twee bevestigingsbouten gelijkmatig vast.
7. Stel de stand van de achterhandgreep af en zet hem daarna vast met de twee bouten (E).



### De schacht en het tandwielhuis monteren

Monteer de schacht als volgt aan het tandwielhuis:

1. Draai de bout (A) los. Verwijder de bout (B).
2. Steek de schacht in het tandwielhuis. Als het insteken moeilijk gaat, draait u de as (C) een stukje.
3. Lijn het gat in de schacht uit met het gat voor de bout (B).
4. Draai de bout (B) eerst vast en draai daarna de bout (A) vast.



## De zaagketting en het zaagblad monteren

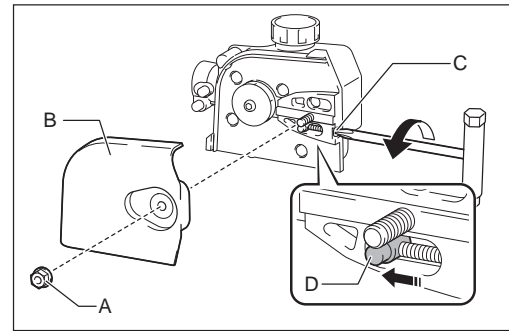
**LET OP:** Zorg ervoor dat de dikte en steek van de zaagketting, het zaagblad en het kettingwiel met elkaar overeenkomen.

Monteer de zaagketting en het zaagblad volgens de onderstaande stappen.

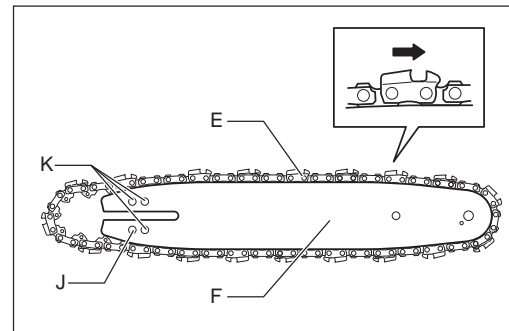
1. Draai de moer (A) los en verwijder de zaagbladhouder (B).
2. Draai de spanbout (C) linksom totdat de spanmoer (D) tegen de linkerkant aankomt.

### KENNISGEVING:

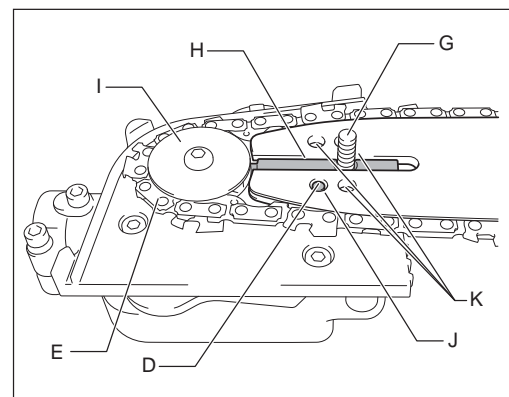
- Draai de spanbout niet te ver linksom omdat anders de spanbout en de spanmoer los komen uit het huis.



3. Pas de zaagketting (E) in de groef van het zaagblad (F). Begin bij de punt van het zaagblad.



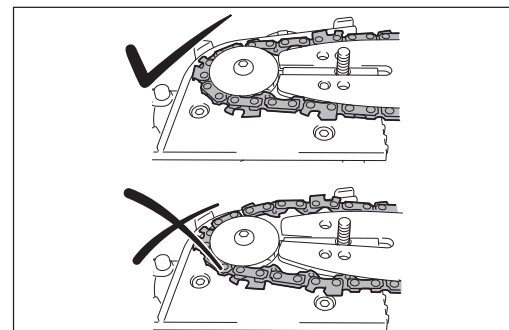
4. Lijn de positiebout (G) uit met de inkeping in het zaagblad (H), en plaats daarna de zaagketting (E) rond het kettingwiel (I). Zorg ervoor dat tijdens deze procedure de zaagketting rond het zaagblad blijft liggen.
5. Monteer het zaagblad (F) zodanig dat de spanmoer (D) past in het gat (J) in het zaagblad. De gaten (K) worden niet gebruikt.



6. Plaats de zaagketting goed in de groef van het zaagblad. Als de zaagketting op dit moment niet goed in de groef van het zaagblad is geplaatst, corrigeert u dit voor correcte montage.
7. Monteer de zaagbladhouder (B) en draai de moer (A) stevig vast. Draai vervolgens de moer een halve slag los om de kettingspanning te kunnen instellen.
8. Stel de kettingspanning in. Raadpleeg hoofdstuk "De kettingspanning instellen".

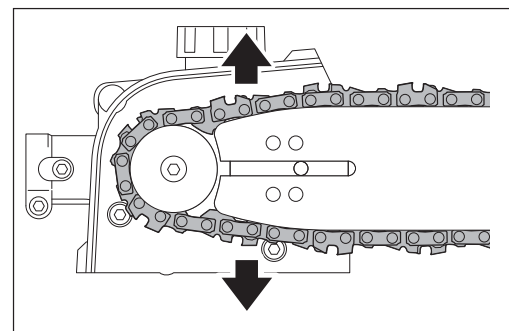
### LET OP:

- Handhaaf de juiste kettingspanning. Als de kettingspanning te laag is, kan de zaagketting van het zaagblad af lopen.



Om de zaagketting en het zaagblad te verwijderen, draait u eerst de spanbout (C) linksom.

Trek de zaagketting naar buiten zodat de zaagketting uit de groef van het zaagblad komt, en verwijder ze daarna uit het huis.



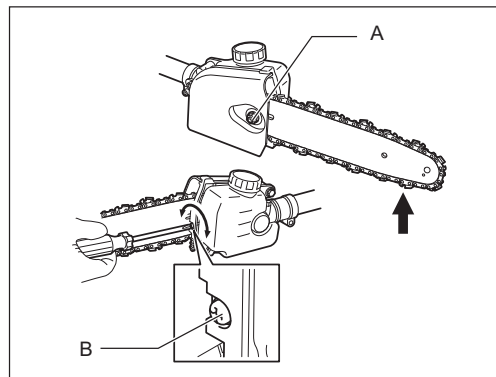
## De kettingspanning instellen

### LET OP:

- Handhaaf de juiste kettingspanning. Een slappe zaagketting kan ertoe leiden dat de zaagketting tijdens gebruik eraf komt. Een strakke zaagketting kan de zaagketting of het zaagblad beschadigen.
- Controleer tijdens gebruik de kettingspanning vaak. Door gebruik rekt de zaagketting op en wordt slap. Wanneer een nieuwe zaagketting is gemonteerd, moet de kettingspanning vaker worden ingesteld.

Stel de kettingspanning in volgens de onderstaande stappen.

1. Draai de moer **(A)** een halve slag los.
2. Houd de punt van het zaagblad omhoog. Draai de spanschroef **(B)** rechtsom tot de zaagketting strak langs de onderkant van het zaagblad loopt.
3. Pak de zaagketting in het midden van het zaagblad vast en trek deze omhoog. De opening tussen het zaagblad en de geleider van de zaagketting moet ongeveer 3 tot 4 mm zijn. Als dat niet het geval is, draait u de spanschroef een klein stukje linksom en voert u stap 2 opnieuw uit.
4. Draai de moer **(A)** stevig vast.
5. Draai zo nodig de spanschroef een klein stukje om te voorkomen dat hij valt.



## De kettingolietank vullen

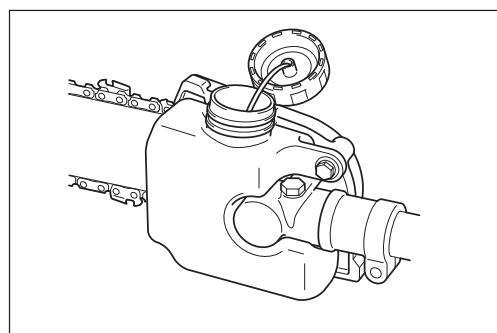
De zaagketting moet tijdens gebruik worden gesmeerd met kettingolie. Vul vóór gebruik de kettingolietank. Draai na het vullen de olievladdop stevig vast.

Gebruik uitsluitend Originele Makita-kettingolie.

### OPMERKING:

- Gebruik nooit afgewerkte olie. Hierdoor kan de oliepomp worden beschadigd.
- Vermijd stoffige omgevingen voor het bijvullen van de kettingolie. Stof en andere vreemde stoffen kunnen het olietoevoersysteem beschadigen.

Let tijdens gebruik altijd op het kettingoliepeil. Vul kettingolie bij wanneer het peil in de tank laag is geworden. De tank raakt leeg na ongeveer 40 minuten gebruik (afhankelijk van de instelling van de kettingsmering).

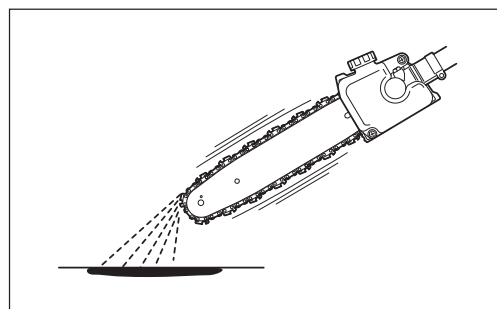
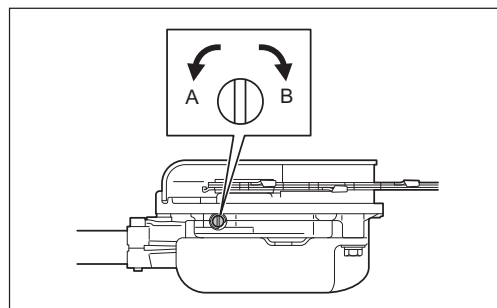


## De toevoersnelheid van de kettingolie instellen

De toevoersnelheid van de kettingolie kan in drie stappen worden ingesteld. Stel de toevoersnelheid in aan de hand van het gebruik, bijvoorbeeld afzagen van harde takken.

Gebruik een platkopschroevendraaier om de toevoersnelheid van de kettingolie in te stellen. Duw de stelschroef naar binnen en draai hem. Om de toevoersnelheid te verhogen, draait u de stelschroef linksom **(A)**. Om de toevoersnelheid te verlagen, draait u de stelschroef rechtsom **(B)**.

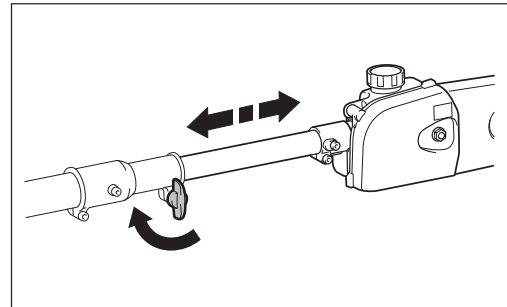
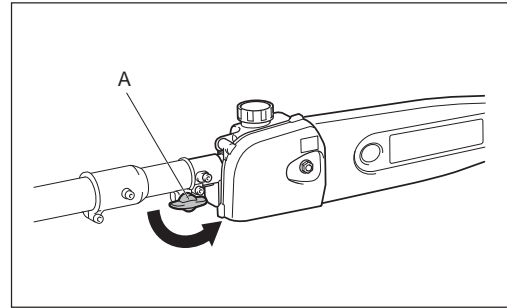
Na het instellen van de toevoersnelheid van de kettingolie, controleert u de toevoersnelheid door het gereedschap op een gemiddeld toerental te laten draaien.



## De lengte van de stoksnoeizaag instellen

Stel de lengte van de stoksnoeizaag als volgt in:

1. Draai de knop **(A)** linksom.
2. Stel de lengte van de stoksnoeizaag af.
3. Draai de knop rechtsom om het tandwielhuis vast te zetten.



## Schouderriem

### De schouderriem afstellen

Pas de lengte van de schouderriem aan overeenkomstig uw werkzaamheden.

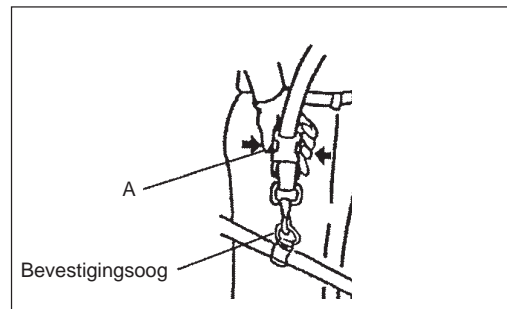
### Losmaken

Knijp in geval van nood de inkepingen **(A)** aan beide zijden in en maak het gereedschap los.

Zorg dat u op dit ogenblik de controle over het gereedschap behoudt. Zorg dat het gereedschap niet afketst in uw richting of in de richting van iemand die in de buurt staat.

**WAARSCHUWING:** Als u geen complete controle over het gereedschap behoudt, kan dit ernstig letsel en zelfs de DOOD veroorzaken.

Opmerking: In sommige landen heeft de schouderriem niet de losmaakfunctionaliteit.



## Controleren en bijvullen van de motorolie

- Voer de volgende procedure uit bij koude motor.
- Plaats de motor horizontaal, draai de olievuldop eraf (zie afb. 1) en controleer of het oliepeil tussen de inwendige randen voor de boven- en ondergrens van het oliepeil staat (zie afb. 2).
- Vul motorolie bij tot aan de markering van de bovengrens als er te weinig motorolie in zit (het oliepeil is dicht bij de ondergrens) (zie afb. 3).
- Het gebied tussen de markeringen op de buitenkant is doorzichtig zodat het oliepeil van buitenaf kan worden gecontroleerd zonder de olievuldop eraf te hoeven draaien. Echter, wanneer de oliebuis erg vuil is geworden, kan deze ondoorzichtig zijn en moet het oliepeil worden gecontroleerd aan de hand van de inwendige randen binnenin de oliebuis.
- Ter informatie, na ongeveer iedere 10 bedrijfsuren moet olie worden bijgevuld (na iedere 10 keer brandstof bijvullen). Als de olie door vuil van kleur is veranderd, ververs u de vuile olie door nieuwe. (Raadpleeg pagina 124 voor informatie over de verversingsinterval en verversingsprocedure.)

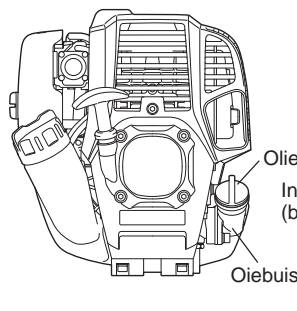
**Aanbevolen olie:** SAE 10W-30 olie van API-classificatie, SF-klasse of beter (4-taktmotorolie voor auto's)

**Hoeveelheid olie:** Ongeveer 0,08 liter

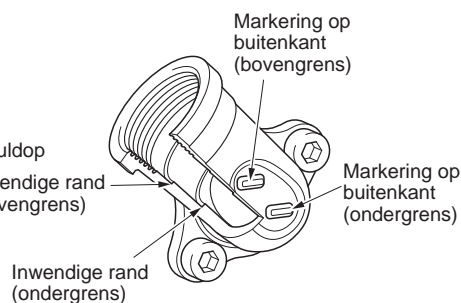
Opmerking: Als de motor niet horizontaal wordt gehouden, kan de olie binnenin de motor terecht komen en te veel olie worden bijgevuld. Als de olie tot boven het bovenste markering wordt bijgevuld, kan de olie gemorst worden en vlam vatten waarbij witte rook vrijkomt.

### Tip 1 bij het verversen van de olie: "Olievuldop"

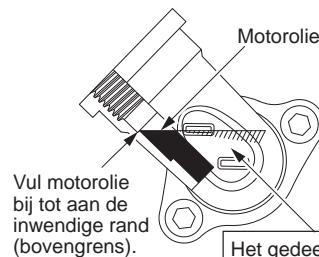
- Verwijder stof of vuil rondom de olievulopening en draai de olievuldop eraf.
- Zorg ervoor dat geen zand of stof op de olievuldop komt. Als dit toch gebeurt, kan het zand of stof dat aan de olievuldop kleeft leiden tot een onregelmatige oliecirculatie of slijtage van de motoronderdelen, waardoor storingen kunnen ontstaan.



Afb. 1



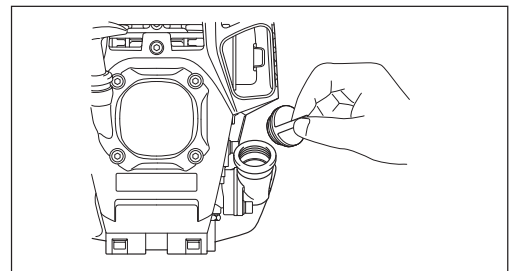
Afb. 2 Oliebuis



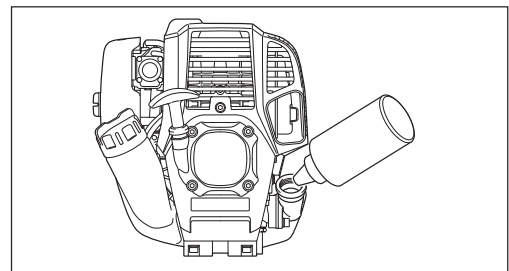
Afb. 3

Het gedeelte tussen de markeringen op de buitenkant voor de boven- en ondergrens is doorzichtig zodat u van buitenaf kunt controleren of het oliepeil tussen de markeringen staat.

- (1) Houd de motor horizontaal en draai de olievuldop eraf.



- (2) Vul motorolie bij tot aan de markering van de bovengrens (zie afb. 3). Gebruik voor het bijvullen een oliefles.



- (3) Draai de olievuldop stevig vast. Bij onvoldoende vastdraaien kan olie eruit lekken.

### Opmerking

- Ververs de olie niet met de motor in een gekantelde positie.
- Als olie wordt bijgevuld terwijl de motor is gekanteld, kan te veel olie worden bijgevuld waardoor verontreiniging en/of witte rook wordt veroorzaakt.

### Tip 2 bij het verversen van de olie: "Olielekkage"

- Als olie eruit lekt tussen de brandstoftank en het motorblok, wordt de olie via de koelluchtinlaatopening naar binnen gezogen waardoor de motor verontreinigd raakt. Veeg gelekte olie af voordat u met het werk begint.

## BRANDSTOF BIJVULLEN

### Omgaan met brandstof

Het is noodzakelijk uiterst voorzichtig om te gaan met brandstof. Brandstof kan stoffen bevatten die ook in oplosmiddelen voorkomen. Het bijvullen van brandstof moet gebeuren in een vertrek met een voldoende goede ventilatie of in de open lucht. Adem nooit brandstofdampen in en houd afstand tot de brandstof. Als uw huid herhaaldelijk in aanraking komt met brandstof gedurende een lange tijd, wordt uw huid droog, waardoor een huidziekte of allergie kan ontstaan. Als brandstof in uw oog komt, spoelt u uw oog uit met schoon water. Als uw oog daarna blijft irriteren, raadpleegt u een dokter.

Vul geen brandstof bij in de schemering of op instabiele plaatsen.

### Bewaartermijn van brandstof

Brandstof dient binnen een periode van 4 weken te worden opgebruikt, ook wanneer de brandstof wordt bewaard in een speciale jerrycan op een goed geventileerde plaats in de schaduw.

Als geen speciale jerrycan wordt gebruikt, of als de brandstof in een open bak wordt bewaard, kan de brandstof binnen één dag verslechteren.

### OPSLAG VAN HET GEREEDSCHAP EN DE JERRYCAN

- Bewaar het gereedschap en de jerrycan op een koele plaats uit direct zonlicht.
- Bewaar de brandstof nooit in de passagiersruimte of bagageruimte van een auto.

## Brandstof

De motor is een viertaktmotor. Gebruik uitsluitend benzine voor auto's (normale benzine of superbenezine).

### Tips voor het omgaan met brandstof

- Gebruik nooit mengsmering, waarin motorolie zit. Als u dat doet, zal buitensporige koolafzetting of mechanische storing optreden.
- Als verslechterde olie wordt gebruikt, zal dat leiden tot onregelmatig starten.

## Brandstof bijvullen

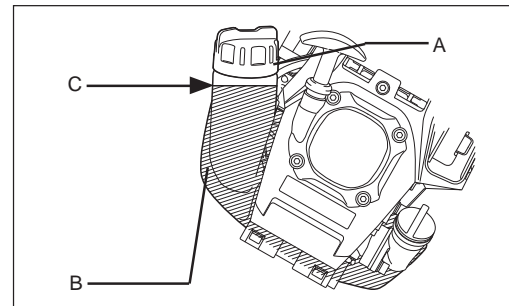
### WAARSCHUWING: STRENG VERBODEN VOOR ONTBRANDBARE MATERIALEN

**LET OP:** Vergeet niet om na het bijvullen de brandstofvuldop op de brandstoftank te draaien. Start nooit de motor als de brandstofvuldop niet op brandstoftank is gedraaid.

**Gebruikte benzine:** Benzine voor auto's (loodvrije benzine)

1. Draai de brandstofvuldop (**A**) een klein stukje los om te voorkomen dat brandstof wordt gemorst.
2. Draai de brandstofvuldop eraf. En kantel de motor zodat de vulopening van de brandstoftank omhoog is gericht.
3. Vul voorzichtig brandstof bij terwijl de lucht ontsnapt uit de brandstoftank (**B**). (Vul geen brandstof bij tot boven de bovengrens (**C**) van het brandstofpeil.)
4. Veeg rondom de brandstofvuldop goed schoon om te voorkomen dat vreemde stoffen in de brandstoftank terecht komen.
5. Na het bijvullen van brandstof draait u de brandstofvuldop weer stevig vast.

- Als enige onvolkomenheid of schade aan de brandstofvuldop wordt geconstateerd, moet deze worden vervangen.
- De brandstofvuldop is na verloop van tijd versleten. Vervang de brandstofvuldop iedere twee of drie jaar.





## TIPS VOOR GEBRUIK EN PROCEDURE VOOR STOPPEN

### LET OP:

Volg de toepasselijke voorschriften voor ongevallenpreventie!

### OPMERKING:

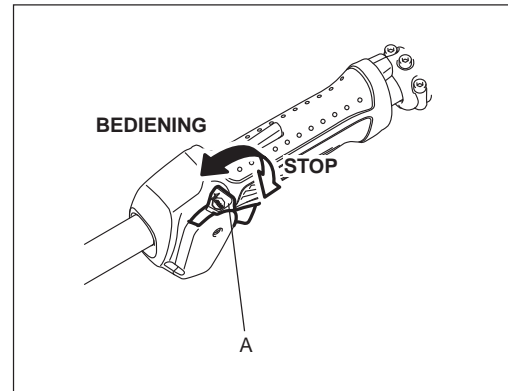
Verwijder de schede voordat u de motor start.

### STARTEN

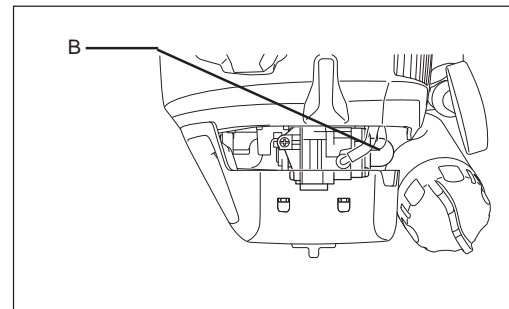
Houd ten minste 3 meter afstand tot de plaats waar brandstof is bijgevuld. Plaats het gereedschap op een schoon stuk grond en zorg ervoor dat het hulpstuk de grond of andere voorwerpen niet raakt.

#### A: Startprocedure bij koude motor

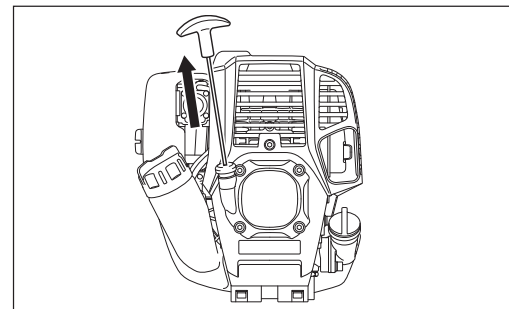
- 1) Plaats het gereedschap op een vlakke ondergrond.
- 2) Zet de I-O-schakelaar **(A)** in de BEDIENING.



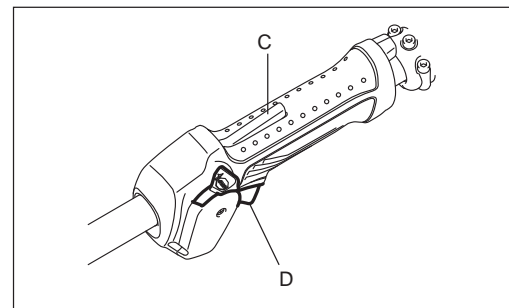
- 3) Brandstofhandpomp  
Blijf op de brandstofhandpomp **(B)** drukken tot de brandstof in de brandstofhandpomp stroomt.  
(Over het algemeen stroomt de brandstof in de brandstofhandpomp na 7 tot 10 keer drukken.)  
Als te vaak op de brandstofhandpomp wordt gedrukt, vloeit het overschot aan brandstof terug naar de brandstoftank.



- 4) Trekstartinrichting  
Trek voorzichtig aan de trekstarthandgreep tot u weerstand voelt (compressiepunt). Laat de trekstarthandgreep terugtrekken en trek er vervolgens krachtig aan.  
Trek nooit door tot aan het einde van het trekstartkoord. Nadat aan de trekstarthandgreep is getrokken, mag u hem niet onmiddellijk loslaten. Houd de trekstarthandgreep vast tot het trekstartkoord is opgewonden in de trekstartinrichting.



- 5) De handgreep is uitgerust met een uit-vergrendelhendel **(C)** om per ongeluk starten te voorkomen. Om de gashendel **(D)** te kunnen inknijpen, pakt u de handgreep vast zodat de uit-vergrendelhendel wordt ingeknepen (en de uit-vergrendeling wordt opgeheven).



- 6) Opwarmen  
Laat de motor gedurende 2 tot 3 minuten opwarmen.

Opmerking: In geval van een overmatige brandstoftoevoer, verwijdert u de bougie en trekt u langzaam aan de trekstarthandgreep om overtollige brandstof te verwijderen. Maak ook het elektrodengedeelte van de bougie droog.

## Voorzichtig tijdens gebruik:

Als de gashendel volledig wordt ingeknepen tijdens onbelast bedrijf, neemt het motortoerental toe tot 10.000 toeren min<sup>-1</sup> of meer. Laat de motor nooit draaien op een hoger toerental dan nodig is en met een toerental van 6.000 tot 8.500 toeren min<sup>-1</sup>.

## B: Startprocedure bij warme motor

- 1) Druk herhaaldelijk op de brandstofhandpomp.
- 2) Laat de gashendel in de stand voor stationair draaien staan.
- 3) Trek krachtig aan de trekstarthandgreep.
- 4) Als de motor moeilijk te starten is, zet u de chokehendel ongeveer 1/3 open.  
Let goed op het hulpstuk dat kan gaan draaien.

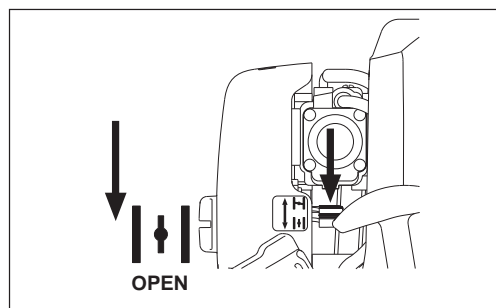
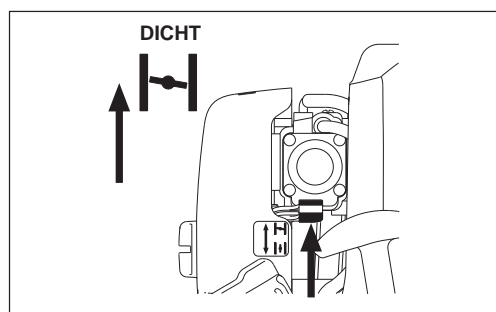
Wanneer de motor moeilijk te starten is, zoals in de winter

Gebruik de chokehendel volgens de volgende procedure om de motor te starten.

- Nadat de stappen 1) tot en met 3) van de startprocedure zijn uitgevoerd, zet u de chokehendel in de stand DICHT.
- Voer stap 4) van de startprocedure uit en start de motor.
- Nadat de motor is gestart, zet u de chokehendel in de stand OPEN.
- Voer stap 5) van de startprocedure uit en voltooi het opwarmen.

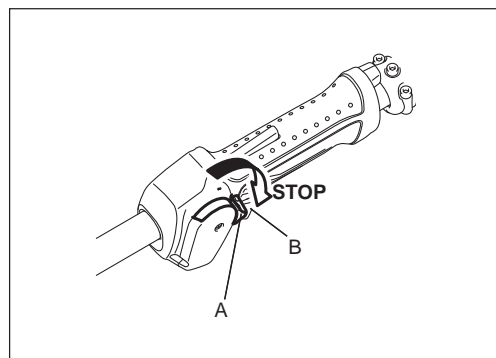
LET OP: Wanneer een dreun (geluid van een explosie) wordt gehoord en de motor afslaat, of de zojuist gestarte motor afslaat voordat de chokehendel wordt bediend, zet u de chokehendel terug in de stand OPEN, en trekt u weer enkele keren aan de trekstarthandgreep om de motor te starten.

LET OP: Als de chokehendel in de stand DICHT blijft staan en alleen enkele keren aan de trekstarthandgreep wordt getrokken, wordt te veel brandstof aangezogen en zal de motor moeilijk te starten zijn.



## STOP

- 1) Laat de gashendel (B) volledig los en, nadat het motortoerental is afgenomen, duw de I-O-schakelaar (A) in de richting van STOP om de motor uit te zetten.
- 2) Bedenk dat het hulpstuk wellicht niet onmiddellijk stopt en laat het volledig uitdraaien.

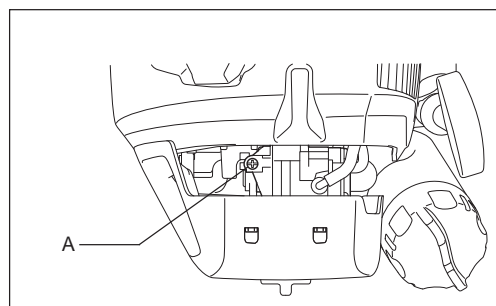


## HET LAAG TOERENTAL (VOOR STATIONAIR DRAAIEN) AFSTELLEN

Als het nodig is het laag toerental (voor stationair draaien) af te stellen, doet u dit met behulp van de stelschroef op de carburateur (A).

## HET LAAG TOERENTAL CONTROLEREN

- Stel het laag toerental af op 3.000 toeren min<sup>-1</sup>.  
Als het nodig is het toerental af te stellen, draait u de stelschroef met een kruiskopschroevendraaier.
- Draai de stelschroef rechtsom om het motortoerental te verhogen. Draai de stelschroef linksom om het motortoerental te verlagen.
- De carburateur is over het algemeen goed afgesteld vóór aflevering aan de klant. Mocht het toch nodig zijn deze opnieuw af te stellen, neemt u contact op met een erkend servicecentrum.



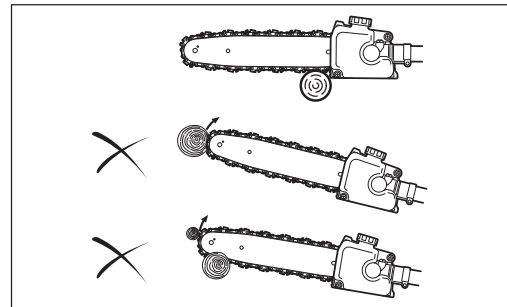
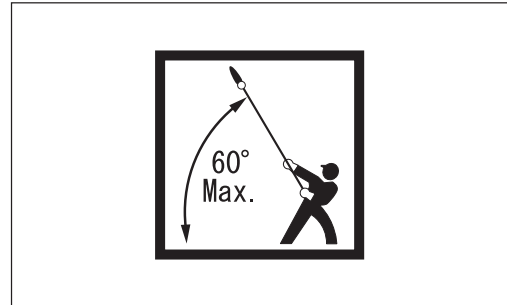
## BEDIENING

### Stand

- Ga op een stabiele ondergrond staan. Zorg ervoor dat de stoksnoeizaag een hoek van 60° maakt met de vlakke ondergrond.
- Zaag eerst lagere takken af zodat de takken gemakkelijker vallen.
- Zorg altijd voor een vluchtroute voor het geval een afgezaagde tak in de richting van de gebruiker valt.

### Werkwijze

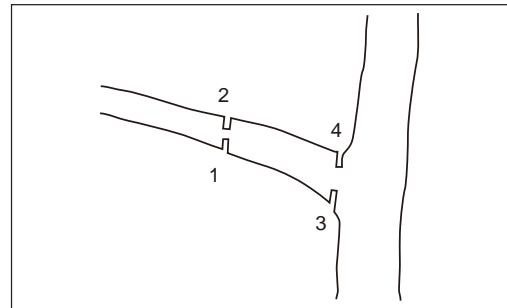
- Start de motor en knijp de gashendel in tot de zaagketting zijn maximale snelheid bereikt.
- Duw de zaagketting zachtjes in de tak. Oefen geen grote kracht uit op het gereedschap, omdat het anders kan worden beschadigd.
- Gebruik nooit de punt van het zaagblad voor het zagen. Als u dit doet, kan gevaarlijke terugslag optreden, en kan dat leiden tot persoonlijk letsel.



### Tips voor het zagen van een dikke tak

Als u een dikke tak wilt zagen, gaat u als volgt te werk:

1. Maak eerst een kleine inkeping aan de onderkant van de tak op enige afstand van het punt waar u de tak uiteindelijk wilt afzagen.
2. Zaag de tak vanaf de bovenkant af, boven deze eerste inkeping.
3. Maak een tweede kleine inkeping aan de onderkant van de tak op het punt waar u de tak wilt afzagen.
4. Zaag de tak vanaf de bovenkant af, boven de tweede inkeping.



## ONDERHOUDSINSTRUCTIES

LET OP: Voordat u werkzaamheden uitvoert aan het gereedschap, moet u altijd de motor uitzetten en de bougiekap van de bougie aftrekken (zie "De bougie controleren").

Draag altijd veiligheidshandschoenen!

Leg het gereedschap altijd op de grond wanneer u het inspecteert of onderhoudt. Als u het gereedschap monteert of instelt terwijl het rechtop staat, kan ernstig letsel worden veroorzaakt.

Plaats altijd de schede over het zaagblad alvorens onderhoudswerkzaamheden uit te voeren.

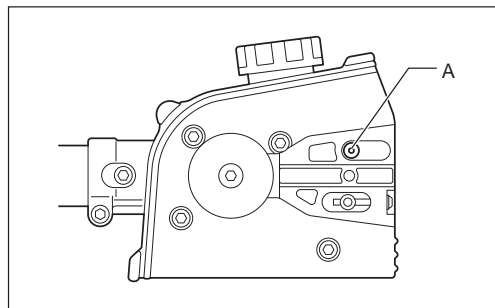
Om een lange levensduur te garanderen en eventuele schade aan het gereedschap te voorkomen, moeten de volgende onderhoudswerkzaamheden regelmatig uitgevoerd worden.

### Dagelijkse controle en onderhoud

- Controleer het gereedschap voor het gebruik op losse bouten of ontbrekende onderdelen. Let met name goed op of het goedgekeurde hulpstuk correct op zijn plaats bevestigd is.
- Controleer voor gebruik altijd op verstopping van de koelluchtinlaatopening en de koelribben van de cilinder. Maak deze plaatsen zo nodig schoon.
- Voer de volgende werkzaamheden dagelijks uit na het gebruik:
  - Reinig de buitenkant van het gereedschap en inspecteer op beschadigingen.
  - Maak het luchtfilter schoon. Maak het luchtfilter meerdere keren per dag schoon als u onder extreem stoffige omstandigheden werkt.
  - Controleer of er voldoende verschil is tussen het stationair toerental en het aangrijptoerental om zeker te zijn dat het hulpstuk stilstaat wanneer de motor stationair draait (verlaag zo nodig het stationair toerental). In het geval het gereedschap bij stationair toerental blijft draaien, neemt u contact op met het dichtstbijzijnde erkende servicecentrum.
- Controleer de werking van de I-O-schakelaar, de uit-vergrendelhendel en de gashendel.

## De kettingolietoevoeropening schoonmaken

Maak de kettingolietoevoeropening (A) dagelijks schoon. Voor toegang, moet u eerst de zaagbladhouder en het zaagblad verwijderen.

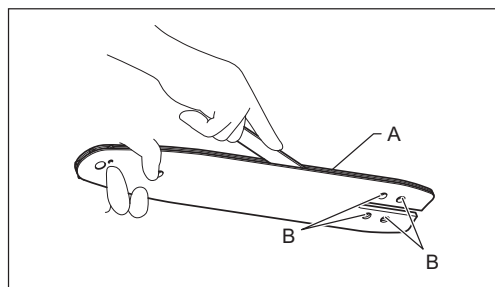


## Het zaagblad schoonmaken en inspecteren

Maak het zaagblad dagelijks schoon. Verwijder zaagsel uit de groef (A) en de kettingolietoevoeropening (B).

Om te voorkomen dat het zaagblad ongelijkmatig slijt, moet u hem omkeren iedere keer wanneer u de zaagketting vervangt of slijpt.

Als de groef versleten, verbogen, uitgescheurd of vervormd is, vervangt u het zaagblad.



## De zaagketting inspecteren

Als u denkt dat de zaagketting versleten, vervormd of gebarsten is, of u meer moeite moet doen om te zagen, vervangt u de zaagketting of vraagt u een erkend Makita-servicecentrum om hem te slijpen.

## Bewegende delen smeren

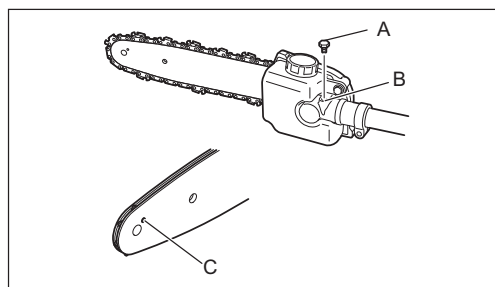
**OPMERKING:** Houdt u aan de opgegeven frequentie en hoeveelheid vet. Als u dat niet doet, kunnen door onvoldoende smering de bewegende delen worden beschadigd.

Tandwielhuis:

Verwijder de smeerpug (A) en vul iedere 25 bedrijfsuren vet op lithiumbasis bij via de vetopening (B).

Punt van zaagblad:

Breng iedere 10 bedrijfsuren vet (Shell Alvania 2 of gelijkwaardig) aan in de vetopening (C).



## MOTOROLIE VERVERSEN

Verslechterde motorolie verkort sterk de levensduur van de draaiende delen van de motor. Controleer het verversingsinterval en de bijvulhoeveelheid.



**LET OP:** Over het algemeen zijn de motor zelf en de motorolie heet kort nadat de motor is uitgeschakeld. Alvorens de motorolie te verversen, controleert u op de motor zelf en de motorolie voldoende zijn afgekoeld. Als u dit niet doet, bestaat de kans op verbranding.

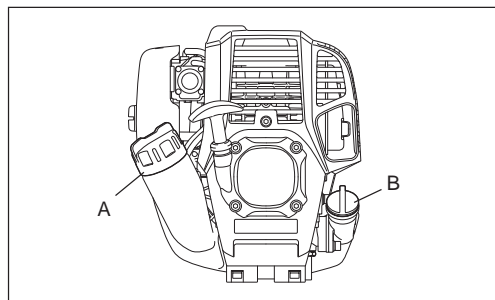
**Opmerking:** Als de olie tot boven het bovenste markering wordt bijgevuld, kan de olie gemorst worden en vlam vatten waarbij witte rook vrijkomt.

**Verversingsinterval:** In eerste instantie na 20 bedrijfsuren en daarna iedere 50 bedrijfsuren

**Aanbevolen olie:** SAE 10W-30 olie van API-classificatie, SF-klasse of beter (4-taktmotorolie voor auto's)

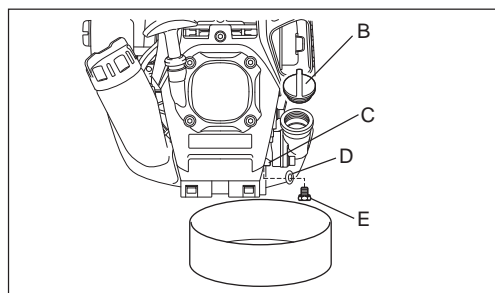
Volg de onderstaande procedure om de motorolie te verversen.

- 1) Controleer of de brandstofvuldop (A) stevig vastgedraaid is.
- 2) Plaats een grote opvangbak (pan, enz.) onder het aftapgat (C).



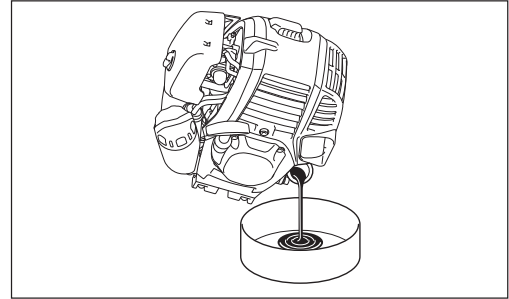
- 3) Verwijder de aftapbout (E) en draai daarna de olievladdop (B) eraf om de motorolie af te tappen uit het aftapgat. Wees hierbij voorzichtig de pakkingring (D) van de aftapbout niet kwijt te raken en de verwijderde onderdelen niet vuil te maken.

- 4) Nadat de motorolie is afgetapt, draait u de aftapbout met daarop de pakkingring stevig vast, zodat deze niet kan losraken en gaan lekken.  
\* Gebruik een poetsdoek om de motorolie die aan de aftapbout en het gereedschap zit volledig af te vegen.

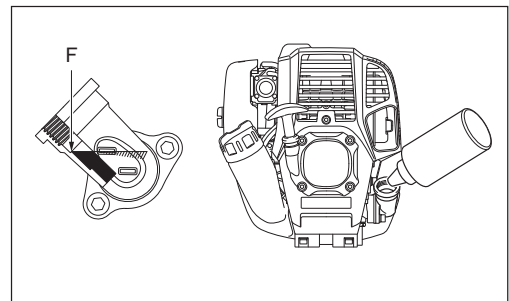
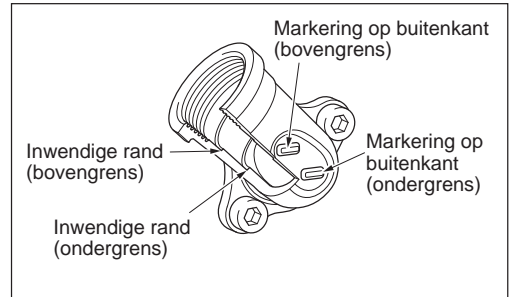


#### Alternatieve methode voor het aftappen van de motorolie

Draai de olievuldop eraf, kantel het gereedschap in de richting van de olievulopening en tap de olie af.  
Vang de motorolie op in een opvangbak.



- 5) Plaats de motor horizontaal en vul geleidelijk nieuwe motorolie bij tot aan de markering van de bovengrens (**F**).
- 6) Draai na het bijvullen de olievuldop stevig vast, zodat deze niet kan losraken en gaan lekken.  
Als de olievuldop niet stevig wordt vastgedraaid, kan deze gaan lekken.



#### **TIPS VOOR HET OMGAAN MET OLIE**

- Gooi verbruikte motorolie nooit weg met het afval, op de grond, of in een rioolput. Het weggooien van olie is bij wet geregeld. Houd u bij het weggooien altijd aan de betreffende wetten en regelgeving. In het geval u hierover vragen heeft, neemt u contact op met een erkend servicecentrum.
- Olie verslechtert, ook wanneer de olie niet wordt gebruikt. Controleer en ververs de olie regelmatig (ververs de olie iedere 6 maanden).

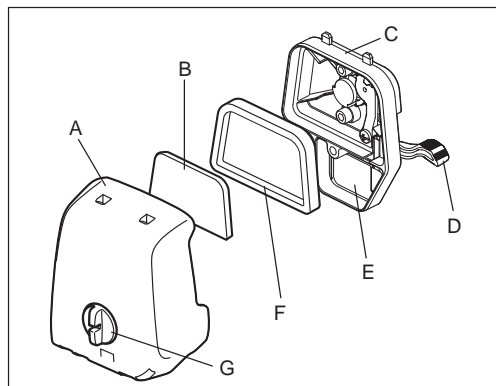
## HET LUCHTFILTER REINIGEN



**WAARSCHUWING: STRENG VERBODEN VOOR ONTBRENDBARE MATERIALEN**

### Controle- en reinigingsinterval: Dagelijks (iedere 10 bedrijfsuren)

- Zet met de chokehendel (**D**) de choke helemaal dicht en houd de carburateur vrij van stof of vuil.
- Draai de bevestigingsbout (**G**) los.
- Verwijder de luchtfilterkap (**A**) door aan de onderkant te trekken.
- Verwijder de luchtfilterelementen (**B**) en (**F**), en tik ertegen om het vuil te verwijderen.
- Als de luchtfilterelementen zwaar verontreinigd zijn:  
Verwijder de luchtfilterelementen, dompel ze in warm water of in een oplossing van een mild schoonmaakmiddel in water, en droog ze grondig. Knijp ze niet uit en wrijf er niet over tijdens het wassen.
- Alvorens de luchtfilterelementen terug te plaatsen, moeten deze volledig droog zijn. Als de luchtfilterelementen onvoldoende droog worden teruggeplaatst, kan dat leiden tot moeilijk starten.
- Veeg olie die rondom de luchtfilterkap en de ontluchting (**E**) zit af met een poetsdoek.
- Bevestig het luchtfilterelement (spons) (**B**) in het luchtfilterelement (vilt) (**F**). Bevestig de luchtfilterelementen zodanig in de houder (**C**) dat de spons naar de luchtfilterkap wijst.
- Plaats de luchtfilterkap onmiddellijk terug en zet hem vast met de bevestigingsbouten. (Plaats bij het monteren eerst de bovenrand en daarna de onderrand.)



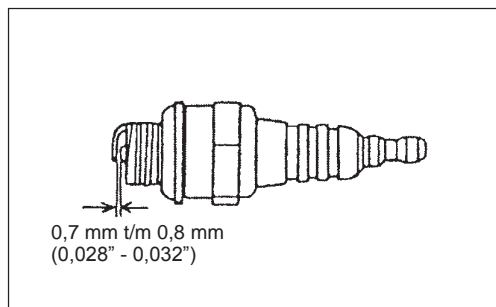
### OPMERKING:

- Reinig de luchtfilterelementen meerdere keren per dag als onder extreem stoffige omstandigheden wordt gewerkt. Vervuilde luchtfilterelementen verlagen het motorvermogen en bemoeilijken het starten van de motor.
- Verwijder de olie op de luchtfilterelementen. Als u blijft doorwerken terwijl de luchtfilterelementen vervuild zijn met olie, kan de olie buiten het luchtfilter terecht komen en tot milieuverontreiniging leiden.
- Plaats de luchtfilterelementen niet op de grond of op een vieze plaats. Er kan dan vuil of rommel aan blijven plakken waardoor de motor kan worden beschadigd.
- Gebruik nooit brandstof om de luchtfilterelementen te reinigen. Ze kunnen door de brandstof worden beschadigd.

## DE BOUGIE CONTROLEREN

- Gebruik alleen de bijgeleverde moersleutel om de bougie te verwijderen of te monteren.
- De afstand tussen de twee elektroden van de bougie moet 0,7 tot 0,8 mm (0,028" - 0,032") bedragen. Als de afstand te groot of te klein is, moet u deze aanpassen. Als de elektroden van de bougie verstopt of vervuild zijn, moet u deze grondig schoonmaken of de bougie vervangen.

LET OP: Raak de bougiekap nooit aan terwijl de motor draait (gevaar van elektrische schok door hoogspanning).



## HET BRANDSTOFFILTER REINIGEN

### WAARSCHUWING: STRENG VERBODEN VOOR ONTBRANDBARE MATERIELEN

Controle- en reinigingsinterval: Maandelijks (iedere 50 bedrijfsuren)

#### Zuigkop in brandstoftank

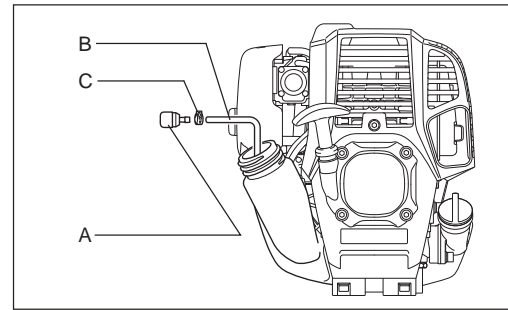
Controleer het brandstoffilter (A) regelmatig. Om het brandstoffilter te controleren, volgt u de onderstaande stappen:

- (1) Verwijder de brandstoftankvuldop en tap de brandstof af totdat de brandstoftank leeg is. Controleer de binnenkant van de brandstoftank op eventuele vreemde stoffen. Als u iets vindt, verwijdert u dit.
- (2) Gebruik een draadhaak om de zuigkop uit de brandstofvulopening te trekken.
- (3) Als het brandstoffilter enigszins verstopt is, reinigt u het. Om het te reinigen, schudt u het en tikt u ertegen in de brandstof. Om beschadiging te voorkomen, knijpt u het niet uit en wrijft u er niet over. De brandstof die is gebruikt voor het reinigen moet worden weggegooid volgens de methode aangegeven in de regelgeving van uw land.

Als het brandstoffilter hard of ernstig verstopt is, vervangt u het.

- (4) Na het controleren, reinigen of vervangen, steekt u het brandstoffilter op de brandstofslang (B) en zet u hem vast met behulp van de slangklem (C).  
Duw het brandstoffilter helemaal naar de bodem van de brandstoftank.

Een verstopt of beschadigd brandstoffilter kan leiden tot onvoldoende brandstofvoevoer en minder motorvermogen. Vervang het brandstoffilter ten minste iedere drie maanden om verzekerd te zijn van een goede brandstofvoevoer naar de carburateur.



## DE BRANDSTOFLEIDING VERVANGEN

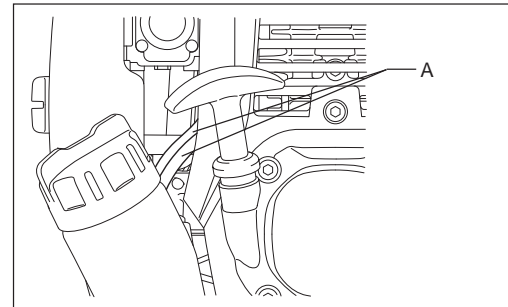
### LET OP: STRENG VERBODEN VOOR ONTBRANDBARE MATERIELEN

Controle- en reinigingsinterval: Dagelijks (iedere 10 bedrijfsuren)

Vervanging: Jaarlijks (iedere 200 bedrijfsuren)

Vervang de brandstofleiding (A) ieder jaar, ongeacht de gebruiksfrequentie. Brandstoflekkage kan brand veroorzaken.

Als tijdens de inspectie een lekkage wordt gevonden, vervangt u de brandstofleiding onmiddellijk.



## DE BOUTEN, MOEREN EN SCHROEVEN

### INSPECTEREN

- Draai losse bouten, moeren, enz., weer vast.
- Controleer op brandstof- en olie lekkage.
- Vervang beschadigde onderdelen door nieuwe voor een veilig gebruik.

## DE ONDERDELEN REINIGEN

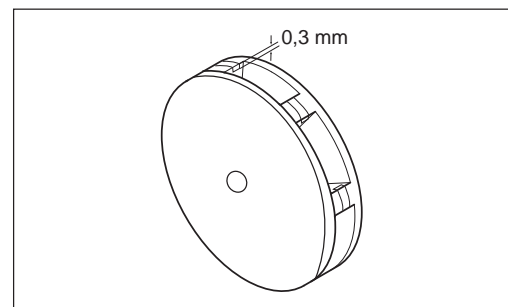
- Houd de motor altijd schoon.
- Houd de koelribben van de cilinder vrij van stof en vuil. Stof en vuil dat zich tussen de koelribben ophoopt, zal leiden tot het vastlopen van de zuiger.

## DE AFDICHTINGEN EN PAKKINGEN VERVANGEN

Nadat de motor uit elkaar is gehaald, moeten bij het weer in elkaar zetten altijd de afdichtingen en pakkingen worden vervangen door nieuwe. Alle onderhouds- of aanpassingswerkzaamheden die niet in deze gebruiksaanwijzing zijn beschreven, mogen alleen worden uitgevoerd door erkende servicecentra.

## HET KETTINGWIEL INSPECTEREN

Controleer na iedere 50 bedrijfsuren het kettingwiel op slijtage. Vervang hem als de slijtageplekken 0,3 mm of dieper zijn.



## De zaagketting slijpen

### Slijp de zaagketting als:

- Poederachtig zaagsel wordt geproduceerd tijdens het zagen van vochtig hout;
- De zaagketting moeizaam in het hout binnendringt, zelfs wanneer hoge druk wordt uitgeoefend;
- De zaagsnede duidelijk beschadigd is;
- De kettingzaag naar links of rechts trekt in het hout. De reden hiervan is een ongelijkmatige scherppte van de zaagketting, of een beschadiging aan slechts een kant.

### Slijp de zaagketting veelvuldig, maar slijp iedere keer slechts weinig materiaal weg.

Twee of drie bewegingen met een vijl zijn doorgaans voldoende voor regelmatig bijlijpen. Als de zaagketting meerdere malen is bijgeslepen, laat u deze een keer slijpen door een erkend MAKITA-servicecentrum.

### Regels met betrekking tot het slijpen:

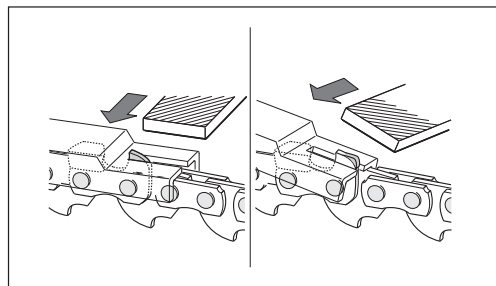
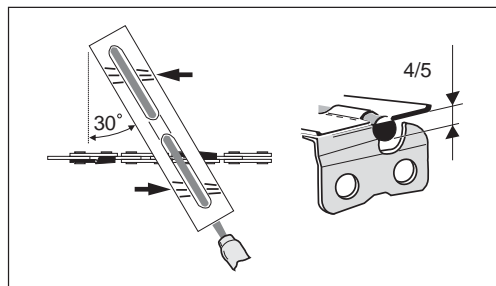
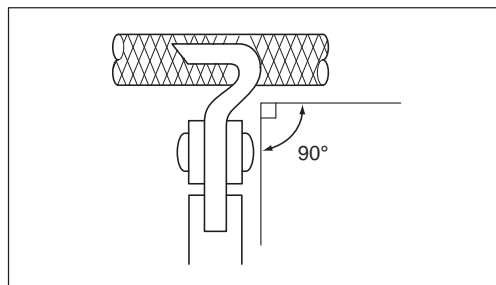
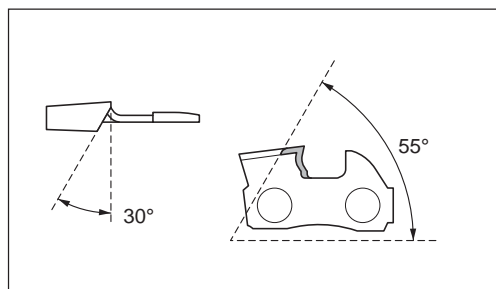
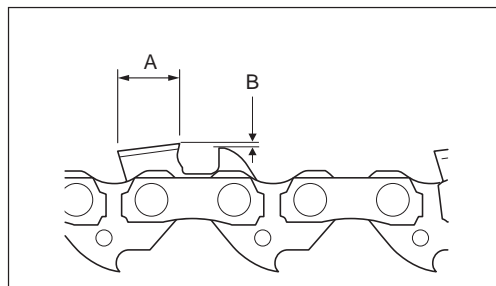
- Alle messen moeten dezelfde lengte (**A**) hebben. Als de messen een verschillende lengte hebben, draait de zaagketting niet soepel en kan de zaagketting breken.
- De dikte van de houtsnippers wordt bepaald door het hoogteverschil tussen de dieptevoeler (ronde neus) en de punt van de messen (**B**).
- De beste zaagprestaties worden bereikt met de volgende afstand tussen de dieptevoeler en de punt van de messen.  
Kettingmes 91VXL: 0,64 mm (0,025")

**WAARSCHUWING:** Een te groot hoogteverschil verhoogt de kans op terugslag.

- De slijphoek van 30° moet hetzelfde zijn voor alle messen. Als de slijphoek verschillend is, draait de zaagketting niet soepel en ongelijkmatig, slijt de zaagketting sneller, en kan de zaagketting breken.
- De zijplaathoek van de messen wordt bepaald door de diepte waarmee de ronde vijl doordringt. Als de opgegeven vijl goed wordt gebruikt, wordt de juiste zijplaathoek automatisch verkregen.
- De juiste hoek voor elke zaagketting is als volgt:  
Kettingmes 91VXL: 55°

### Vijl en vijlbeweging

- Gebruik een speciale ronde vijl (los verkrijgbaar) voor het slijpen van een zaagketting. Normale ronde vijlen zijn niet geschikt.
- De diameter van de ronde vijl voor elke zaagketting is als volgt:  
Kettingmes 91VXL: 4,0 mm (5/32")
- De vijl mag alleen tijdens de voorwaartse beweging met het mes in aanraking komen. Til de vijl van het mes af tijdens de achterwaartse beweging.
- Slijp eerst het kortste mes. Daarna is de lengte van het kortste mes de standaard voor alle overige messen van de zaagketting.
- Beweeg de vijl zoals afgebeeld.
- De vijl kan gemakkelijker worden bewogen als een vijlhouder (los verkrijgbaar) wordt gebruikt. Op de vijlhouder staan merktekens voor de juiste slijphoek van 30° (lijn de merktekens parallel uit met de zaagketting) en beperkt de diepte waarmee de vijl doordringt (tot 4/5 van de vijldiameter).
- Nadat de zaagketting is geslepen, controleert u de hoogte van de dieptemeter met behulp van het kettingmeetgereedschap (los verkrijgbaar).
- Verwijder eventueel uitstekend materiaal, ongeacht hoe klein, met een speciale platte vijl (los verkrijgbaar).
- Maak de voorkant van de dieptevoeler weer rond.



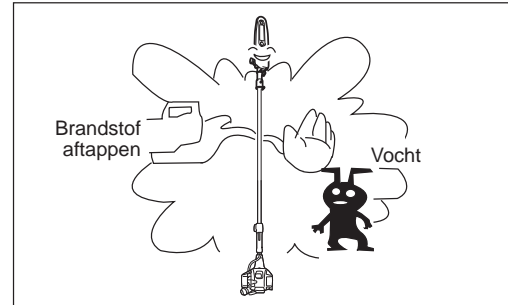




**WAARSCHUWING: Controleer of de motor is uitgeschakeld en afgekoeld voordat u begint met het aftappen van de brandstof. De motor is nog heet vlak nadat deze is uitgezet. Wacht tot hij is afgekoeld omdat anders brandwonden of brand kunnen ontstaan.**

Als het gereedschap gedurende een lange tijd niet gebruikt gaat worden, voert u de volgende handelingen uit:

- Tap de brandstof af uit de brandstoftank en carburateur aan de hand van de volgende procedure:
  - 1) Draai de brandstofvuldop eraf en tap alle brandstof af. Als een vreemde substantie is achtergebleven in de brandstoftank, verwijdert u deze volledig.
  - 2) Trek met behulp van een draadhaak het brandstoffilter uit de brandstofvulopening.
  - 3) Druk op de brandstofhandpomp totdat de brandstof daaruit en in de brandstoftank stroomt.
  - 4) Plaats het brandstoffilter terug in de brandstoftank en draai de brandstofvuldop stevig vast.
  - 5) Laat de motor vervolgens draaien tot deze afslaat.
- Tap de kettingolie af.
- Verwijder de zaagketting en het zaagblad.
- Maak de olietoevoergleuf in het zaagblad schoon.
- Smeer de zaagketting en het zaagblad licht.
- Verwijder de bougie en breng enkele druppels motorolie via het bougiegat in de cilinder.
- Trek voorzichtig aan de trekstarthandgreep zodat de motorolie zich door de motor verspreidt, en monteer daarna de bougie weer.
- Normaal gesproken slaat u het gereedschap horizontaal op. Als dit niet mogelijk is, plaatst u het gereedschap zodanig dat de motor zich lager bevindt dan het zaagblad. Anders kan motorolie van binnenuit lekken.
- Let er altijd op dat u het gereedschap op een veilige plaats opbergt om beschadiging van het gereedschap en persoonlijk letsel te voorkomen.
- Bewaar de afgetapte brandstof in een speciale jerrycan op een goed geventileerde plaats in de schaduw.



**Aandachtspunt na langdurige opslag**

- Alvorens de motor na langdurige stilstand opnieuw te starten, moet de motorolie worden ververs (zie "MOTOROLIE VERVERSEN"). De olie verslechtert terwijl het gereedschap niet in gebruik is.

**Storingzoeken**

Probleem	Systeem	Waarneming	Oorzaak
Motor start niet of moeilijk	Ontstekingsstelsel	Ontstekingsvonk OK  Geen ontstekingsvonk aanwezig	Fout in brandstoftoevoer of compressiesysteem, mechanisch defect  I-O-schakelaar is ingeschakeld, bedradingsfout of kortsluiting, bougie of bougiekap is defect, ontstekingsmodule is defect
Problemen bij starten van warme motor	Brandstoftoevoersysteem	Brandstoftank is vol	Onjuiste stand van chokehendel, carburateur is defect, brandstofleiding is geknikt of verstopt, brandstof is vuil
	Compressie	Geen compressie bij aantrekken	Cilindervoetpakking is defect, krukasafdichtingen zijn beschadigd, cilinder of zuigerveren zijn defect, of slechte afdichting van bougie
Motor start, maar slaat af	Mechanisch defect	Starter grijpt niet aan  Brandstoftank is vol, ontstekingsvonk is aanwezig	Gebroken startveer, gebroken onderdelen binnenin de motor  Carburateur is vervuild. Laat deze schoonmaken.
	Brandstoftoevoersysteem	Brandstoftank is vol	Verkeerde afstelling van stationair toerental of carburateur is vervuild  Ontluchting brandstoftank is defect, brandstofleiding is niet open, gaskabel of I-O-schakelaar is defect
Onvoldoende prestaties	Mogelijk zijn meerdere systemen tegelijk de oorzaak	Slecht stationair lopen	Luchtfilter is vervuild, carburateur is vervuild, uitlaatdemper is verstopt, uitlaatkanaal in de cilinder is verstopt

Item \ Gebruikstijd		Voor gebruik	Na smeren	Dagelijks (10 uur)	25 uur	50 uur	200 uur	Langdurigeopslag
Hele gereedschap	Visueel inspecteren	○						
Motorolie	Inspecteren	○						
	Vervangen					○*1		
Vastdraaien (bouten, moeren, enz.)	Inspecteren	○						
Brandstoftank	Inspecteren	○						
	Brandstof aftappen							○*3
Gashendel	Werking controleren	○	○					
I-O-schakelaar	Werking controleren	○	○					
Stationair toerental	Inspecteren/afstellen			○				
Luchtfilter	Reinigen			○				
Bougie	Inspecteren			○				
Koelluchtinlaatkanaal	Reinigen/inspecteren			○				
Brandstofleiding	Inspecteren			○				
	Vervangen						⊗*2	
Brandstoffilter	Reinigen/vervangen					○		
Klepspeling (inlaatklep en uitlaatklep)	Inspecteren/afstellen						⊗*2	
Motor reviseren							⊗*2	
Carburateur	Brandstof aftappen							○*3
Kettingolietoevoeropening	Reinigen			○				
Zaagblad	De groef en de kettingolietoevoeropening reinigen			○				
	Inspecteren			○				
	Smeren			○				
Tandwielhuis	Smeren				○			
Kettingwiel	Inspecteren					○		
Zaagketting	Vervangen of laten slijpen							○*4

\*1 Eerste keer verversen na 20 bedrijfsuren.

\*2 Vraag een erkend servicecentrum om de inspectie na 200 bedrijfsuren uit te voeren.

\*3 Na het aftappen van de brandstoftank, laat u de motor draaien om de brandstof in de carburateur op te gebruiken.

\*4 Indien noodzakelijk.

## PROBLEMEN OPLOSSEN

Alvorens een verzoek voor reparatie in te dienen, controleer u de storing zelf aan de hand van de onderstaande tabel. Als een probleem is gevonden, repareert u het gereedschap aan de hand van de beschrijvingen in deze gebruiksaanwijzing. Probeer nooit enig onderdeel te demonteren of repareren in strijd met de beschrijvingen. Voor reparatie neemt u contact op met een erkend servicecentrum of uw plaatselijke dealer.

Probleemomschrijving	Mogelijke oorzaak (storing)	Oplossing
Motor start niet.	De brandstofhandpomp werd niet ingedrukt.	Druk deze 7 tot 10 keer in.
	Te zwak trekken aan de trekstarthandgreep.	Trek krachtig.
	Gebrek aan brandstof.	Vul brandstof bij.
	Verstopt brandstoffilter.	Reinig hem.
	Losgeraakte brandstofleiding.	Sluit de brandstofleiding goed aan.
	Verbogen brandstofleiding.	Maak de brandstofleiding recht.
	Verslechterde brandstof.	De verslechterde brandstof bemoeilijkt het starten. Vervang de brandstof door nieuwe. (Aanbevolen vervangingsinterval: 1 maand.)
	Buitensporige toevoer van brandstof.	Verander de stand van de gashendel naar middelhoog of hoog toerental en trek aan de trekstarthandgreep tot de motor start. Nadat de motor is gestart, begint de zaagketting te draaien. Let goed op de zaagketting. Als de motor nog steeds niet start, verwijdert u de bougie, maakt u de elektroden droog, en monteert u de bougie weer. Start vervolgens zoals beschreven.
	Bougiekap ligt eraf.	Bevestig hem stevig.
	Vervuilde bougie.	Reinig hem.
	Verkeerde elektrodenafstand van bougie.	Stel de elektrodenafstand af.
	Ander probleem met de bougie.	Vervang hem.
	Probleem met de carburateur.	Dien een verzoek in voor inspectie en onderhoud.
	Trekstarthandgreep kan niet worden uitgetrokken.	Dien een verzoek in voor inspectie en onderhoud.
Probleem met de aandrijving.	Dien een verzoek in voor inspectie en onderhoud.	
Motor slaat snel af. Motortoerental neemt niet toe.	Onvoldoende opgewarmd.	Warm de motor op.
	Chokehendel staat in de bovenste stand (dicht) ondanks dat de motor opgewarmd is	Zet in de onderste stand (open).
	Verstopt brandstoffilter.	Reinig hem.
	Vervuild of verstopt luchtfilter.	Reinig hem.
	Probleem met de carburateur.	Dien een verzoek in voor inspectie en onderhoud.
	Probleem met de aandrijving.	Dien een verzoek in voor inspectie en onderhoud.
Er wordt geen kettingolie aangevoerd.	De kettingolietank is leeg.	Vul kettingolie bij in de tank.
	De kettingolietoevoeropening is vervuild.	Maak de kettingolietoevoeropening en het zaagblad schoon.
	De stelschroef van de toevoersnelheid van de kettingolie is niet goed ingesteld.	Stel de stelschroef goed in.
De zaagketting draait niet ↓ Zet de motor onmiddellijk uit	Het zaagblad is verbogen of beschadigd.	Vervang het zaagblad.
	Vreemde materialen zitten vast in de zaagketting.	Zet de motor uit en verwijder de vreemde materialen.
	Probleem met de aandrijving.	Dien een verzoek in voor inspectie en onderhoud.
Het gereedschap trilt abnormaal sterk ↓ Zet de motor onmiddellijk uit	Het zaagblad is gebroken, verbogen of versleten.	Vervang het zaagblad.
	De zaagketting zit los.	Stel de kettingspanning in.
	Probleem met de aandrijving.	Dien een verzoek in voor inspectie en onderhoud.
De zaagketting stopt niet ↓ Zet de motor onmiddellijk uit	Hoog stationair toerental.	Stel het stationair toerental in.
	Probleem met de gaskabel.	Vraag een servicecentrum hem te vervangen.
	Probleem met de aandrijving.	Dien een verzoek in voor inspectie en onderhoud.
Motor slaat niet af ↓ Laat de motor stationair draaien en zet de chokehendel in de bovenste stand (dicht)	Losgeraakte stekker van de I-O-schakelaar.	Bevestig hem stevig.
	Probleem met het elektrisch systeem.	Dien een verzoek in voor inspectie en onderhoud.

Als de motor niet start ondanks dat deze opgewarmd is:

Als tijdens het controleren van deze punten geen probleem wordt gevonden, knijpt u de gashendel ongeveer 1/3 in en start u de motor.

Muchas gracias por comprar la sierra de extensión telescópica a gasolina de MAKITA. Nos complace recomendarle la sierra de extensión telescópica a gasolina de MAKITA, que es el resultado de un largo programa de desarrollo y muchos años de investigación y experiencia. Lea este folleto, que explica en detalle los diferentes aspectos que demostrarán su excelente rendimiento. Le ayudará a obtener los mejores resultados posibles de la sierra de extensión telescópica a gasolina de MAKITA.



Tabla de contenido	Página
Símbolos.....	132
Instrucciones de seguridad.....	133
Datos técnicos.....	139
Denominación de las piezas.....	140
Montaje y ajuste.....	141
Antes del uso.....	145
Aspectos del manejo y cómo parar la máquina.....	147
Funcionamiento.....	149
Instrucciones de servicio.....	149
Almacenamiento.....	155

## SÍMBOLOS

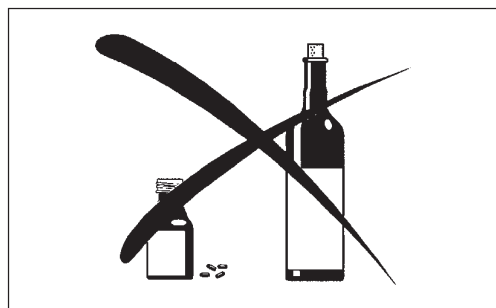
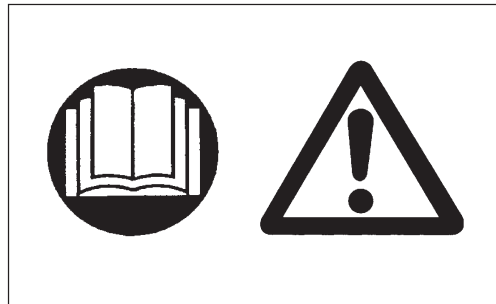
Cuando lea el manual de instrucciones se encontrará con los siguientes símbolos.

	¡Lea el manual de instrucciones y respete las advertencias y precauciones de seguridad!		¡Se prohíben llamas abiertas!
	¡Preste especial cuidado y atención!		Aceite de la cadena.
	Utilice un casco de seguridad y protección para los ojos y oídos.		¡Mantenga el área de operaciones libre de personas y animales!
	¡Deben utilizarse guantes protectores!		Combustible (Gasolina)
	Utilice botas robustas con suela antideslizante.		Encendido manual del motor
	Mantenga una distancia de 15 m (50 pies) como mínimo entre el equipo y las personas que le rodeen y/o cables eléctricos (incluyendo las ramas que puedan estar en contacto con ellos). Riesgo de descarga eléctrica y/o lesiones personales.		Primeros auxilios
	Nunca sujete la sierra de extensión en un ángulo de más de 60°.		ENCENDIDO/ARRANQUE
	Velocidad de la cadena.		APAGADO/PARADA
	¡Prohibido!		Parada de emergencia
	¡No fume!		

## INSTRUCCIONES DE SEGURIDAD

### Instrucciones generales

- Para garantizar un uso correcto, el usuario debe leer este manual de instrucciones para familiarizarse con el manejo del equipo. Los usuarios con una información insuficiente se pondrán en riesgo a ellos mismos y pondrán en riesgo a otros a causa de un manejo incorrecto.
- Se recomienda dejar el equipo solamente a personas que tengan una experiencia demostrable en el uso del equipo. Entregue siempre el manual de instrucciones.
- Los primeros usuarios deben solicitar al distribuidor instrucciones básicas para familiarizarse con el manejo de una cortadora a motor.
- No se debe permitir que los niños y las personas menores de 18 años utilicen el equipo. Sin embargo, las personas mayores de 16 años pueden usar el dispositivo con finalidades de formación solamente bajo la supervisión de un instructor cualificado.
- Utilice el equipo con el máximo cuidado y atención.
- Utilice el equipo solamente si se encuentra en una buena condición física. Realice todo el trabajo con calma y con cuidado. El usuario debe aceptar la responsabilidad por otros.
- Nunca utilice el equipo tras el consumo de alcohol o drogas o si se siente cansado o enfermo.
- Nunca intente modificar el equipo.
- Las normativas nacionales pueden restringir el uso del equipo. Siga las normativas acerca del manejo de sierras de extensión y motosierras de su país.

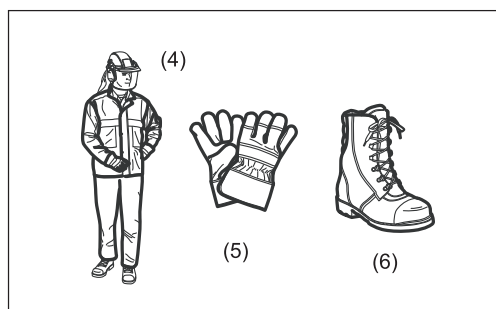
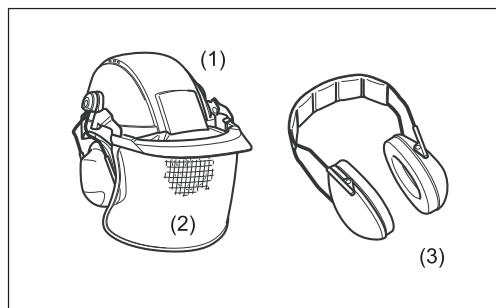


### Uso previsto de la máquina

El equipo se ha diseñado únicamente para la finalidad de podar ramas gruesas y ramas más pequeñas, de menos de 15 cm de diámetro. Nunca utilice este equipo para otra finalidad. El mal uso del equipo puede provocar lesiones graves.

### Equipo de protección personal

- Debe llevarse ropa funcional y apropiada, es decir, debe ser ajustada pero sin que sea incómoda. No lleve joyas ni prendas que puedan engancharse en arbustos o maleza.
- Para evitar lesiones en la cabeza, los ojos, las manos o los pies y para proteger los oídos, debe llevarse el siguiente equipo y la siguiente ropa de protección durante las operaciones.
- Utilice siempre un casco cuando haya riesgo de caída de objetos. Debe comprobarse periódicamente si el casco protector (1) tiene algún daño y se debe sustituir como máximo después de 5 años. Utilice solamente cascos protectores homologados.
- El visor (2) del casco (o, como alternativa, las gafas de seguridad) protege la cara de piedras y objetos que salen despedidos. Durante las operaciones utilice gafas de seguridad o un visor para evitar lesiones en los ojos.
- Utilice un equipo de protección acústica adecuado para evitar daños en el oído (protectores de oído (3), tapones para los oídos, etc.).
- Los monos de trabajo (4) protegen contra restos y piedras que puedan salir despedidas. Recomendamos utilizar un mono de trabajo.
- Los guantes especiales (5) de cuero grueso forman parte del equipo obligatorio y siempre deben utilizarse durante las operaciones.
- Cuando utilice el equipo, utilice siempre zapatos robustos (6) con una suela antideslizante. Protege contra lesiones y garantiza un buen equilibrio.
- Cuando maneja la cadena de la sierra o ajuste la tensión de la cadena, utilice guantes de protección. La cadena de la sierra puede provocar graves cortes en las manos desnudas.



## Seguridad del área de trabajo

- **⚠ Peligro:** Mantenga la sierra de extensión alejada 15 m como mínimo de las líneas eléctricas y los cables de comunicación (incluyendo las ramas con las que puedan estar en contacto). Tocar las líneas de alta tensión o acercarse a ellas con la sierra de extensión puede provocar la muerte o lesiones graves. Tenga cuidado con las líneas eléctricas y las vallas eléctricas alrededor del área de trabajo antes de iniciar las operaciones.
- Utilice la sierra de extensión únicamente en condiciones de buena visibilidad y luz de día. No utilice la sierra de extensión en condiciones de oscuridad o niebla.
- Ponga en marcha y utilice el motor únicamente en exteriores, en una zona bien ventilada. El uso en una zona cerrada o con poca ventilación puede causar la muerte por asfixia o envenenamiento por monóxido de carbono.
- Durante las operaciones, nunca permanezca sobre una superficie inestable, una superficie resbaladiza o una pendiente. Durante las estaciones frías, tenga cuidado con el hielo y la nieve y asegúrese siempre de mantener una posición bien equilibrada.
- Durante las operaciones, mantenga a las personas circundantes o a los animales alejados como mínimo 15 m de la sierra de extensión. Detenga el motor cuando se acerque alguien.
- Antes de las operaciones, examine el área de trabajo en busca de alambradas, paredes u otros objetos sólidos. Pueden dañar la cadena de la sierra.
- **⚠ ADVERTENCIA:** El uso de este producto puede crear polvo que contiene productos químicos que pueden causar enfermedades respiratorias y de otro tipo. Algunos ejemplos de estos productos químicos son compuestos que se encuentran en pesticidas, insecticidas, fertilizantes y herbicidas. El riesgo de exposición varía en función de la frecuencia con la que realice este tipo de trabajo. Para reducir su exposición a estas sustancias químicas: trabaje en zonas bien ventiladas y póngase el equipo de seguridad indicado como, por ejemplo, las mascarillas contra el polvo especialmente diseñadas para filtrar partículas microscópicas.

## Inicio de las operaciones

- Antes del montaje o ajuste del equipo, apague el motor y retire el capuchón de la bujía.
- Antes de poner en marcha el motor, inspeccione el equipo para detectar daños, tornillos/tuercas flojas o un ensamblado incorrecto. Afile la cadena de la sierra cuando esté desafilada. Si la cadena de la sierra está doblada o dañada, sustitúyala. Compruebe que todas las palancas y los interruptores de control se accionen fácilmente. Limpie y seque bien las empuñaduras.
- Nunca intente poner en marcha el motor si el equipo está dañado o no se ha ensamblado completamente. De lo contrario, puede sufrir lesiones graves.
- Ajuste correctamente la tensión de la cadena. Rellene el aceite de la cadena, si es necesario.

## Puesta en marcha del motor

- Asegúrese de que no haya niños u otras personas cerca; asimismo, preste especial atención a los animales que puedan estar cerca de la zona de trabajo.
- Utilice el equipo de protección personal antes de poner en marcha el motor.
- Asegúrese de que el accesorio esté correctamente acoplado, que la palanca de control se pueda accionar fácilmente y compruebe el correcto funcionamiento de la palanca de desbloqueo.
- Si la cadena de la sierra se mueve al ralentí, detenga el motor y reduzca la velocidad de ralentí. Solicite a un centro de servicio autorizado que realice el ajuste en caso de duda. Compruebe que los asideros estén limpios y secos y pruebe el funcionamiento del interruptor de arranque/parada.

Ponga en marcha el motor únicamente de acuerdo con las instrucciones.

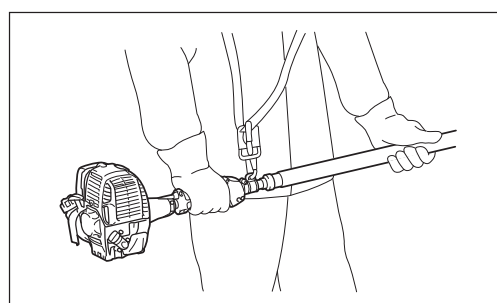
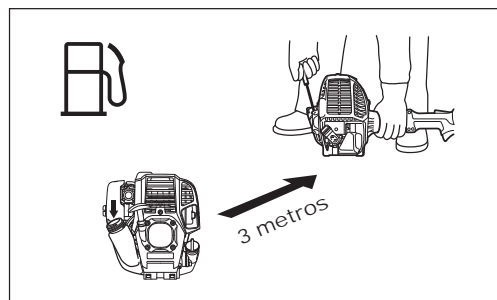
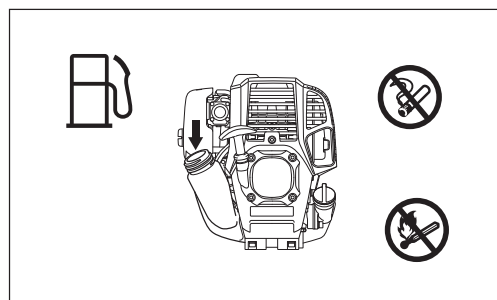
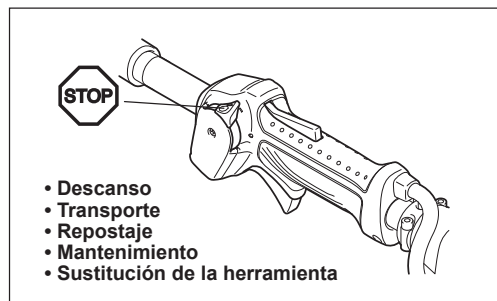
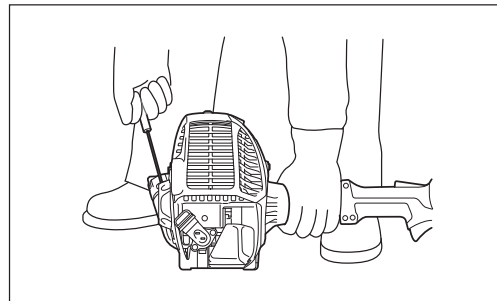
- ¡No utilice ningún otro método para poner en marcha el motor!
- Coloque el equipo sobre suelo firme. Mantenga un buen equilibrio y una posición segura.
- Cuando tire de la empuñadura de arranque, sujete el equipo firmemente contra el suelo con su mano izquierda. Nunca pise el eje de accionamiento.
- Antes de poner en marcha el motor, asegúrese de que no haya ninguna persona o animal en el área de trabajo.
- Cuando ponga en marcha el motor, mantenga la cadena de la sierra y la barra de guía alejadas de su cuerpo y de otros objetos, incluyendo el suelo. La cadena de la sierra se puede mover durante la puesta en marcha y puede causar lesiones graves o daños en la cadena de la sierra y/o la propiedad.
- El motor se debe apagar inmediatamente si experimenta algún problema.
- Si la cadena de la sierra golpea piedras u otros objetos duros, apague el motor inmediatamente e inspeccione el equipo.
- Utilice el equipo únicamente con la correa de hombro asegurada, que se debe ajustar correctamente antes de poner en marcha el equipo. Es muy importante ajustar la correa de hombro de acuerdo con la talla del usuario para evitar la fatiga durante el uso. Nunca sujete la herramienta de corte con una mano durante el uso.
- Con el motor funcionando solamente al ralenti, acople el arnés de hombro. Durante las operaciones, mantenga el equipo en su lado derecho firmemente.
- Todas las piezas de protección y las protecciones suministradas con la máquina deben utilizarse durante el funcionamiento.
- Nunca haga funcionar el motor con un silenciador de escape defectuoso.
- Excepto en caso de emergencia, nunca deje caer ni lance el equipo hacia el suelo, ya que el equipo se puede dañar gravemente.

## Repostaje

- Apague el motor durante el repostaje, manténgase alejado de las llamas y no fume.
- Evite el contacto de la piel con productos de aceite mineral. No inhale el vapor de combustible. Utilice siempre guantes de protección durante el repostaje. Cambie y limpie regularmente la ropa protectora.
- Tenga cuidado de no derramar combustible o aceite para evitar la contaminación del suelo (protección medioambiental). Limpie el equipo inmediatamente después del derrame de combustible.
- Evite el contacto del combustible con su ropa. Cambie la ropa inmediatamente si se ha derramado combustible sobre ella (para evitar que la ropa se incendie).
- Inspeccione periódicamente la tapa del depósito de combustible para asegurarse de que se puede apretar firmemente y que no tiene fugas.
- Apriete con cuidado la tapa del depósito de combustible. Cambie de lugar para poner en marcha el motor (como mínimo a 3 metros de distancia del lugar de repostaje).
- Nunca reposte en lugares cerrados. Los vapores de combustible se acumulan a nivel del suelo (riesgo de explosiones).
- El combustible solamente se debe transportar y almacenar en recipientes homologados. Asegúrese de que el combustible almacenado no esté al alcance de los niños.

## Método de trabajo

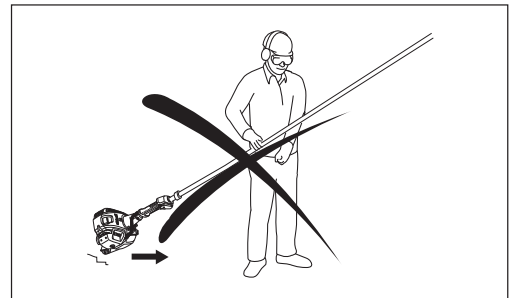
- En caso de emergencia, apague el motor inmediatamente.
- Si percibe cualquier estado inusual (p. ej. ruido o vibración) durante el funcionamiento, apague el motor. No utilice el equipo hasta que se haya reconocido y resuelto la causa.
- La cadena de la sierra sigue moviéndose durante un breve período de tiempo después de soltar el disparador de la mariposa de gases. No se apresure a tocar la cadena de la sierra.
- Sujete la empuñadura frontal con la mano izquierda y la empuñadura posterior con la mano derecha, no importa si es diestro o zurdo. Rodee las empuñaduras con los dedos y pulgares.
- Nunca intente utilizar el equipo con una mano. La pérdida de control puede provocar lesiones graves o fatales. Para reducir el riesgo de lesiones, mantenga las manos y los pies alejados de las cuchillas.
- No haga demasiadas cosas al mismo tiempo. Mantenga el equilibrio y una postura adecuada en todo momento.
- Tenga cuidado con obstáculos ocultos, como cepas de árboles, raíces y cunetas para no tropezar. Despeje la zona de ramas caídas y otros objetos.
- Si el equipo recibe un fuerte impacto o cae, compruebe su estado antes de continuar con el trabajo. Compruebe si hay fugas en el sistema de combustible y si los dispositivos de seguridad funcionan correctamente. Si hay daños o en caso de duda, solicite al centro de servicio autorizado de Makita que realice una inspección y reparación.
- No toque la caja de engranajes. La caja de engranajes se calienta durante el uso.
- Cuando deje el equipo, aunque sea por un breve periodo de tiempo, detenga siempre el motor. El equipo desatendido con el motor funcionando puede ser utilizado por una persona no autorizada y puede provocar un accidente grave.



- Preste atención al medioambiente. Evite el uso innecesario de la palanca de la mariposa de gases para reducir la contaminación y las emisiones de ruido. Ajuste el carburador correctamente.
- Durante cada uso o después del uso, no coloque el equipo caliente sobre césped seco o materiales combustibles.
- No levante la mano derecha por encima de la altura del hombro.
- Durante las operaciones, nunca golpee la cadena de la sierra contra obstáculos duros, como piedras y clavos. Preste especial atención cuando corte ramas al lado de paredes, alambradas o elementos similares.
- Si quedan atrapadas ramas en la cadena de la sierra, detenga siempre el motor y retire el capuchón de la bujía. De lo contrario, una puesta en marcha accidental puede provocar lesiones graves.
- Si la cadena de la sierra se obstruye, detenga siempre el motor y retire el capuchón de la bujía antes de su limpieza.
- Al acelerar el motor con la cadena de la sierra bloqueada, aumenta la carga y se dañará el motor y/o el embrague.
- Antes de cortar ramas gruesas, tenga preparada una zona de escape alejada de la rama que cae. En primer lugar, despeje las obstrucciones, como ramas gruesas y ramas más pequeñas, del área de trabajo. Mueva todas las herramientas y objetos del área de escape a otra superficie segura.
- Antes de cortar ramas gruesas y ramas de menor tamaño, compruebe la dirección en la que caen, teniendo en cuenta el estado de las ramas, los árboles adyacentes, la dirección del viento, etc. Preste toda la atención a la dirección de caída y al rebote de la rama cuando toque el suelo.
- Nunca sujete la sierra de extensión en un ángulo de más de 60°. De lo contrario, los objetos que caen pueden golpear al operario y causar lesiones graves. Nunca permanezca debajo de la rama que se está cortando.
- Preste atención a las ramas rotas o dobladas. Pueden rebotar al cortar, causando lesiones no esperadas.
- Antes de cortar las ramas gruesas que desee, retire las ramas más finas y las hojas de su alrededor. De lo contrario, la sierra puede quedar atrapada.
- Para evitar que la sierra quede atrapada en la ranura, no suelte la palanca de la mariposa de gases antes de retirar la sierra de la ranura.
- Si la cadena de la sierra se atasca en la ranura, pare inmediatamente el motor, mueva con cuidado la rama para abrir la ranura y suelte la sierra.
- Evite contragolpes (fuerza de giro de reacción hacia el operario). Para evitar contragolpes, nunca utilice la punta de la barra de guía ni realice un corte por inmersión. Tenga siempre en cuenta la posición de la punta de la barra de guía.
- Compruebe frecuentemente la tensión de la cadena. Cuando compruebe o ajuste la tensión de la cadena, detenga el motor y retire el capuchón de la bujía. Si la tensión es baja, apriétela.
- Utilice el equipo de forma que haga tan poco ruido y produzca tan poca contaminación como sea posible. En concreto, compruebe el ajuste correcto del carburador.
- No se suba nunca a una escalera mientras utilice el equipo.
- No se suba a árboles mientras realice la operación de corte.
- Espere hasta que la cadena alcance su velocidad de trabajo completa antes de realizar el corte.
- Descanse para evitar la pérdida de control causada por la fatiga. Recomendamos descansar de 10 a 20 minutos cada hora.

## Transporte

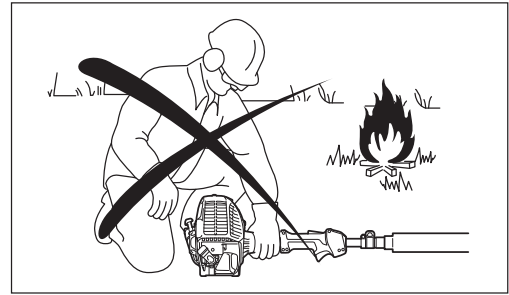
- Antes del transporte del equipo, apague el motor y retire el capuchón de la bujía.
- Monte siempre la cubierta de la barra de guía durante el transporte.
- Utilice siempre la protección de la herramienta que se incluye con el equipo.
- Transpórtelo siempre en posición horizontal sujetando el eje. Mantenga el silenciador caliente alejado de su cuerpo.
- Cuando transporte el equipo en un vehículo, asegúrelo correctamente para que no vuelque. De lo contrario se puede producir un derrame de combustible y daños en el equipo y otros materiales que se transporten.
- Apague el motor durante el transporte.
- Asegúrese de que el depósito de combustible esté completamente vacío.
- Cuando descargue el equipo de un camión, nunca deje caer el motor al suelo, ya que se puede dañar gravemente el depósito de combustible.
- No olvide levantar todo el equipo del suelo cuando lo mueva. Arrastrar el depósito de combustible es muy peligroso y causará daños, fugas de combustible y posiblemente un incendio.





## Instrucciones de mantenimiento

- Su equipo se debe reparar en nuestro centro de servicio autorizado, utilizando solamente piezas de recambio originales. Una reparación incorrecta o un mantenimiento deficiente pueden acortar la vida del equipo y aumentar el riesgo de accidentes.
- Antes de realizar cualquier trabajo de mantenimiento, reparación o limpieza del equipo, detenga siempre el motor y retire el capuchón de la bujía. Espere hasta que el motor se enfríe.
- Para reducir el riesgo de incendio, nunca repare o guarde el equipo cerca de fuego.
- Utilice siempre guantes de protección cuando maneje la cadena de la sierra.
- Limpie siempre la suciedad y el polvo del equipo. Nunca utilice gasolina, benceno, disolvente, alcohol o un producto similar con esa finalidad. Se pueden producir descoloraciones, deformaciones o grietas de los componentes de plástico.
- Tras cada uso, apriete todos los tornillos y las tuercas, excepto los tornillos de ajuste.
- Mantenga la cadena de la sierra afilada. Si la cadena de la sierra se ha desafilado y el rendimiento de corte es bajo, solicite a un centro de servicio autorizado de Makita que la afile o la reemplace con una nueva.
- No intente realizar ninguna tarea de mantenimiento o reparación que no esté descrita en este manual de instrucciones. Consulte con un centro de servicio autorizado de Makita para esas tareas.
- Limpie el equipo periódicamente y compruebe que todos los tornillos y tuercas estén bien apretados.
- Guarde siempre el equipo en habitaciones cerradas con llave y con el depósito de combustible vacío.



## Almacenamiento

- Antes de almacenar el equipo, realice las tareas de mantenimiento y una limpieza total. Encaje la cubierta de la barra de guía. Extraiga el capuchón de la bujía. Drene el combustible y el aceite de la cadena cuando el motor se enfríe.
- Guarde el equipo en un lugar seco y elevado o cerrado con llave fuera del alcance de los niños.
- No golpee el equipo contra ningún elemento, como una pared. De lo contrario, puede caer repentinamente y causar lesiones.

Respete las instrucciones aplicables de prevención de accidentes emitidas por las compañías de seguros y las asociaciones comerciales relevantes.

No realice ninguna modificación en el equipo, ya que esto pondría en peligro su seguridad.

Los trabajos de mantenimiento o reparación que puede realizar el usuario se limitan a las actividades descritas en este manual de instrucciones. Todos los demás trabajos los realiza un centro de servicio autorizado. Utilice únicamente accesorios y piezas de repuesto genuinos suministrados por MAKITA.

El uso de accesorios y herramientas que no se hayan aprobado implica un mayor riesgo de accidentes.

MAKITA no acepta ninguna responsabilidad por los accidentes o los daños causados por el uso de accesorios no aprobados, por la reparación de los elementos de acoplamiento o accesorios.

## Primeros auxilios

En caso de accidente, asegúrese de que cerca del lugar en el que se realicen las operaciones de corte esté disponible un botiquín de primeros auxilios. Reponga inmediatamente cualquier artículo que tome del botiquín de primeros auxilios.

## Cuando solicite ayuda, proporcione la siguiente información:

- Lugar del accidente
- Qué ha ocurrido
- Número de personas heridas
- Tipo de lesiones
- Su nombre



## Vibración

- Las personas con problemas circulatorios que están expuestas a vibraciones excesivas pueden sufrir lesiones en los vasos sanguíneos o en el sistema nervioso. La vibración puede provocar los siguientes síntomas en los dedos, manos o muñecas: "adormecimiento", hormigueo, dolor, sensación punzante, alteración del color de la piel o de la piel. Si sufre alguno de estos síntomas, acuda a un médico.
- Para reducir el riesgo de "enfermedad de dedos blancos", mantenga las manos calientes durante las operaciones y realice un buen mantenimiento del equipo y los accesorios.

---

## DECLARACIÓN DE CONFORMIDAD DE LA CE

**Nosotros, Makita Corporation, en calidad de fabricante responsable, declaramos que las siguientes máquinas Makita:**

Designación de la máquina: Sierra de Extensión Telescópica a Gasolina

Nº de modelo/ Tipo: EY2650H

Especificaciones: consulte la tabla "DATOS TÉCNICOS"

son de producción serie y

**Cumplen con las siguientes Directivas europeas:**

2006/42/CE

Y se han fabricado de acuerdo con los siguientes estándares o documentos estandarizados:

EN/ISO11680

La documentación técnica la conserva:

Makita International Europe Ltd., Technical Department,

Michigan Drive, Tongwell, Milton Keynes, Bucks MK15 8JD, Inglaterra

El número de certificado del examen de tipo CE como sierra de extensión es:

4813008.13001

El examen de tipo CE conforme a 2006/42/CE fue realizado por:

DEKRA Testing and Certification GmbH Enderstraße 92b 01277 Dresden, Alemania

Nº de identificación 2140

31. 10. 2013



Tomoyasu Kato  
Director

Makita Corporation  
3-11-8, Sumiyoshi-cho,  
Anjo, Aichi, 446-8502, JAPAN

---

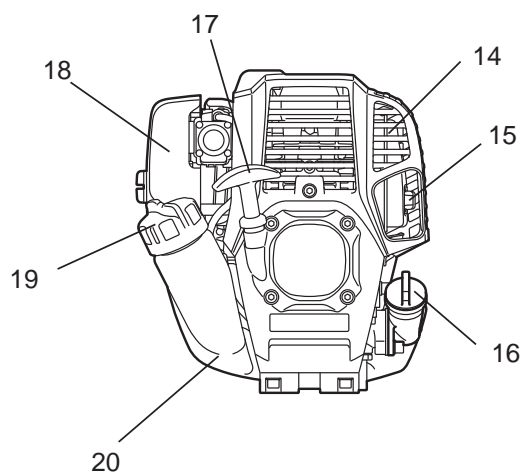
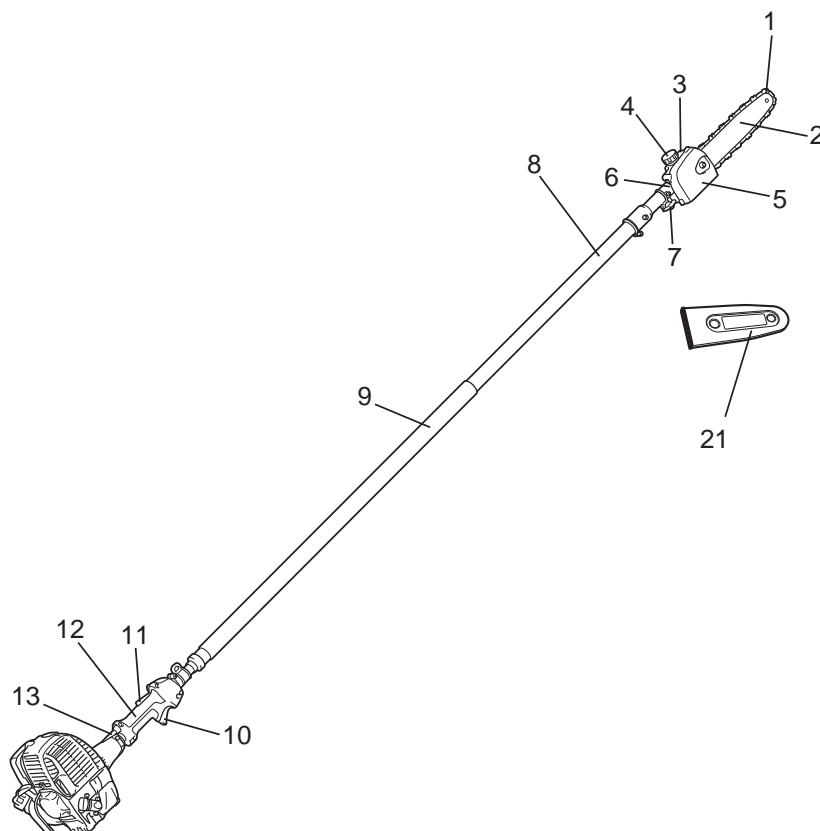
## DATOS TÉCNICOS

Modelo		EY2650H		
Dimensiones: La x An x Al	mm	2.720-3.920 x 223 x 240		
Peso	kg	7,2		
Volumen del depósito de combustible	cm <sup>3</sup>	600		
Volumen del depósito de aceite de la cadena	cm <sup>3</sup>	120		
Cilindrada del motor	cm <sup>3</sup>	25,4		
Velocidad máx. de la cadena	m/s	21,0		
Potencia máxima del motor		0,77 kW a 7.000 min <sup>-1</sup>		
Velocidad del motor a la velocidad máxima recomendada del eje	min <sup>-1</sup>	10.000		
Velocidad de ralentí	min <sup>-1</sup>	3.000		
Velocidad de acoplamiento de embrague	min <sup>-1</sup>	4.400		
Carburador		Tipo de diafragma		
Bujía	Tipo	NGK CMR4A		
Separación entre electrodos	mm	0,7 - 0,8		
Combustible		Gasolina de automoción (petróleo)		
Aceite de motor		Aceite de clasificación API, clase SF o superior, SAE 10W-30 (aceite para motor de 4 tiempos de automoción)		
Longitud de corte	mm	255		
Longitud de la barra de guía	mm (pulgadas)	255 (10")		
Cadena de la sierra		91VXL-39E		
Paso de la cadena	pulgada	3/8"		
Calibre de cadena	mm (pulgadas)	1,3 (0,05")		
Número de dientes de la rueda dentada		7		
Aceite de la cadena		Aceite de la cadena original de Makita		
Bomba de aceite de la cadena		Bomba de émbolo (autolubricante)		
Vibración de acuerdo con ISO 22867	Empuñadura derecha (empuñadura posterior)	a <sub>hv eq</sub> (Eje en la posición más corta)	m/s <sup>2</sup>	5,3
		a <sub>hv eq</sub> (Eje en la posición más larga)	m/s <sup>2</sup>	6,1
		Incertidumbre K	m/s <sup>2</sup>	2,0
	Empuñadura izquierda (empuñadura frontal)	a <sub>hv eq</sub> (Eje en la posición más corta)	m/s <sup>2</sup>	7,2
		a <sub>hv eq</sub> (Eje en la posición más larga)	m/s <sup>2</sup>	8,6
		Incertidumbre K	m/s <sup>2</sup>	2,0
Nivel medio de presión de sonido de acuerdo con ISO 22868	L <sub>PA eq</sub>	dBA	89,5	
	Incertidumbre K	dBA	2,5	
Nivel medio de potencia de sonido de acuerdo con ISO 22868	L <sub>WA eq</sub>	dBA	107,3	
	Incertidumbre K	dBA	2,5	

- Debido a nuestro programa continuo de investigación y desarrollo, las especificaciones aquí descritas están sujetas a cambios sin previo aviso.
- Las especificaciones pueden ser diferentes de un país a otro.

## DENOMINACIÓN DE LAS PIEZAS

EY2650H



E	DENOMINACIÓN DE LAS PIEZAS
1	Cadena de la sierra
2	Barra de guía
3	Depósito de aceite
4	Tapa del depósito de aceite
5	Soporte de la barra
6	Caja de engranajes
7	Pomo
8	Eje telescópico
9	Empuñadura frontal
10	Palanca de la mariposa de gases
11	Palanca de desbloqueo
12	Empuñadura posterior
13	Cable de control
14	Silenciador de escape
15	Tubo de escape
16	Tapa de aceite
17	Empuñadura de arranque
18	Filtro de aire
19	Tapa del depósito de combustible
20	Depósito de combustible
21	Cubierta de la barra de guía

## MONTAJE Y AJUSTE

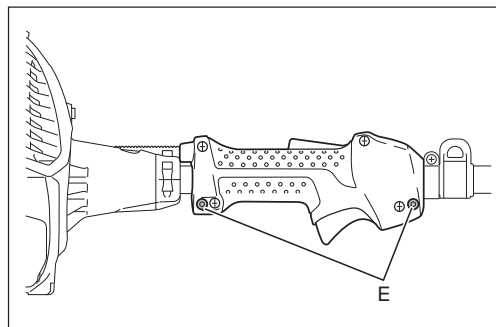
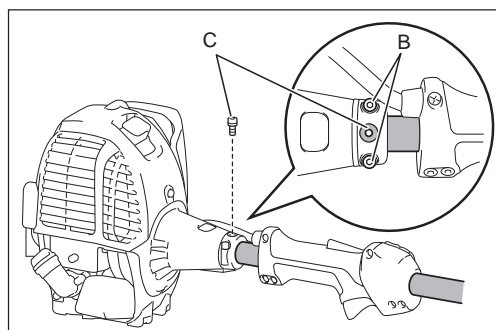
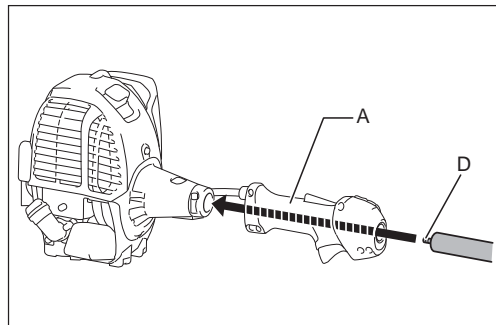
### ADVERTENCIA:

- Antes del montaje, ajuste o comprobación del equipo, apague el motor y retire el capuchón de la bujía.
- Utilice siempre guantes de protección cuando maneje la cadena de la sierra.
- Espere hasta que la cadena de la sierra se enfríe antes del montaje, el ajuste o la comprobación. La cadena de la sierra se calienta mucho durante las operaciones y puede provocar quemaduras.

### Montaje del eje y la caja del embrague

Monte el eje con la empuñadura posterior y la unidad del motor de la siguiente manera:

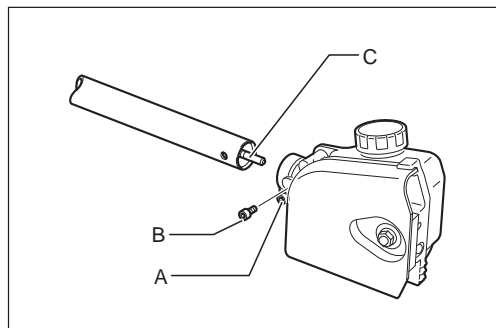
1. Inserte el eje a través de la empuñadura posterior **(A)**.
2. Afloje dos pernos de fijación **(B)** y retire el perno central **(C)** de la caja del embrague.
3. Inserte el eje en la caja del cigüeñal. Si resulta difícil insertarlo completamente, gire un poco el eje roscado **(D)**.
4. Alinee el orificio del eje con el orificio del perno central.
5. Apriete el perno central.
6. Apriete los dos pernos de fijación de forma uniforme.
7. Ajuste la posición de la empuñadura posterior y, a continuación, aprétela con dos pernos **(E)**.



### Montaje del eje y la caja de engranajes

Monte el eje con la caja de engranajes de la siguiente manera:

1. Afloje el perno **(A)**. Y retire el perno **(B)**.
2. Inserte el eje en la caja de engranajes. Si resulta difícil insertarlo completamente, gire un poco el eje roscado **(C)**.
3. Alinee el orificio del eje con el orificio del perno **(B)**.
4. Apriete el perno **(B)** primero y después apriete el perno **(A)**.



## Montaje de la cadena de la sierra y la barra de guía

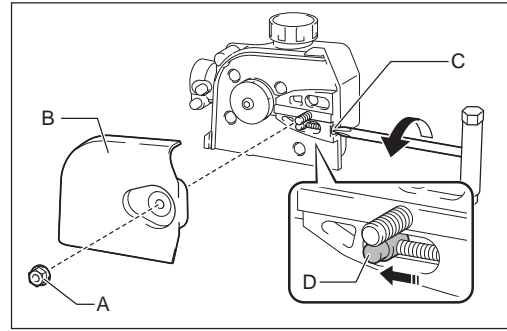
**PRECAUCIÓN:** Asegúrese de que la cadena de la sierra, la barra de guía y la rueda dentada sean del mismo calibre y paso.

Monte la cadena de la sierra y la barra de guía siguiendo estos pasos.

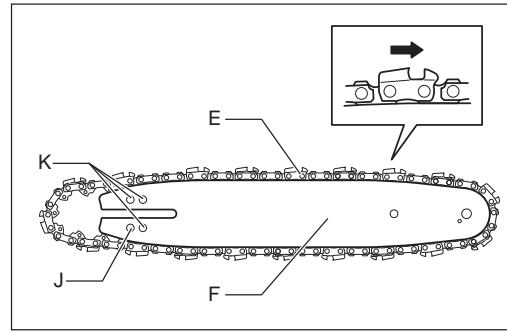
1. Afloje la tuerca (A) y retire el soporte de la barra (B).
2. Gire el tornillo de tensado (C) en el sentido contrario a las agujas del reloj hasta que la tuerca de tensado (D) toque el extremo izquierdo.

### AVISO:

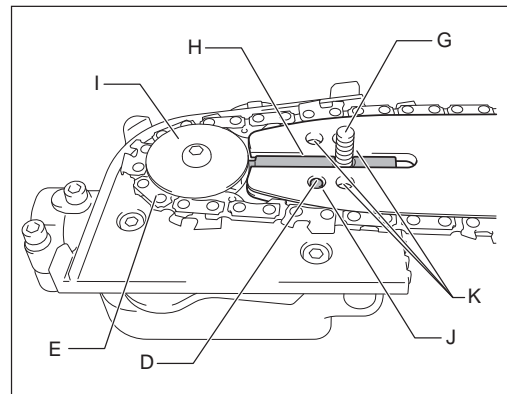
- No gire en exceso el tornillo de tensado en el sentido contrario a las agujas del reloj, de lo contrario, el tornillo de tensado y la tuerca de tensado se desprenderán de la carcasa.



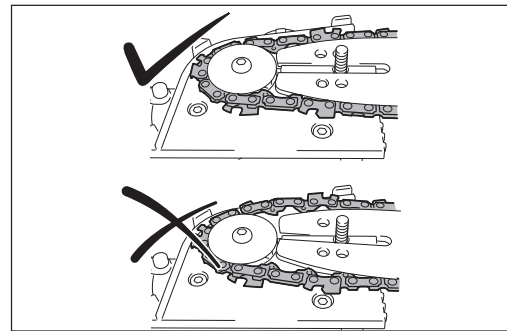
3. Encaje la cadena de la sierra (E) en la ranura de la barra de guía (F). Inicie el procedimiento desde la punta de la barra.



4. Alinee el perno de posicionamiento (G) con la muesca de la barra de guía (H) y después encaje la cadena de la sierra (E) en la rueda dentada (I). Asegúrese de que la cadena de la sierra esté encajada a lo largo de la barra de guía durante el procedimiento.
5. Instale la barra de guía (F) de forma que la tuerca de tensado (D) encaje en el orificio (J) de la barra de guía. Los orificios (K) no se utilizan.



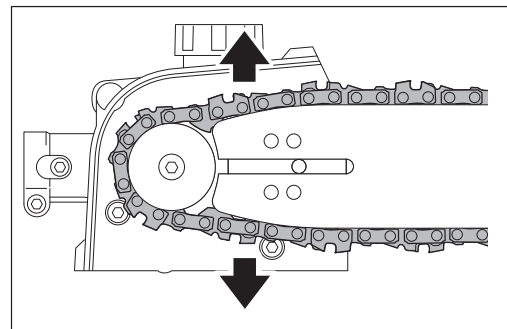
6. Coloque la cadena de la sierra en la ranura de la barra de guía correctamente. Si la cadena de la sierra no se coloca correctamente en la ranura de la barra de guía en este momento, ajústela y encájela correctamente.
7. Encaje el soporte de la barra (B) y apriete la tuerca (A) firmemente. A continuación, afloje la tuerca media vuelta como provisión del ajuste de tensión de la cadena.
8. Ajuste la tensión de la cadena. Consulte la sección "Ajuste de la tensión de la cadena."



### PRECAUCIÓN:

- Mantenga la tensión de la cadena aplicable. Un tensado insuficiente puede provocar que la cadena de la sierra se salga de su ranura.

Para retirar la cadena de la sierra y la barra de guía, gire el tornillo de tensado (C) en el sentido contrario a las agujas del reloj primero. Tire de la cadena de la sierra hacia fuera para que la cadena de la sierra salga de la ranura de la barra de guía y después retírela de la carcasa.



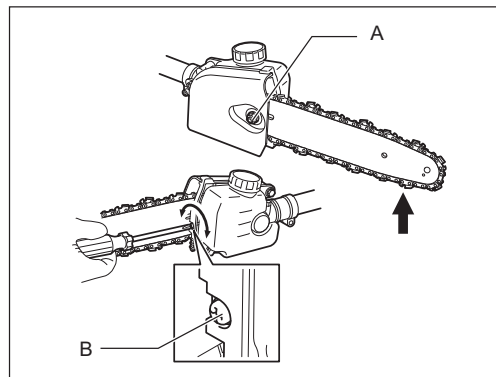
## Ajuste de la tensión de la cadena

### PRECAUCIÓN:

- Mantenga la tensión de la cadena aplicable. Reducir la tensión puede provocar que la cadena de la sierra se desprenda durante las operaciones. Un exceso de tensión puede dañar la cadena de la sierra o la barra de guía.
- Durante las operaciones, compruebe frecuentemente la tensión de la cadena. La cadena de la sierra se estira y se afloja durante el uso. Cuando utilice una nueva cadena de la sierra, ajuste la tensión más frecuentemente.

Ajuste la tensión de la cadena siguiendo estos pasos.

1. Afloje la tuerca **(A)** una media vuelta.
2. Mantenga la punta de la barra hacia arriba. Gire el tornillo de tensado **(B)** en el sentido de las agujas del reloj hasta que la cadena encaje en la parte inferior de la barra de guía cómodamente.
3. Agarre la cadena de sierra por la mitad de la barra de guía y elévela. La holgura entre la barra de guía y la correa que asegura la sierra de la cadena debe ser de aproximadamente 3 - 4 mm (0,118"-0,157"). Si no es así, gire el tornillo de tensado en el sentido contrario a las agujas del reloj ligeramente y repita el paso 2.
4. Apriete la tuerca **(A)** firmemente.
5. Si es necesario, apriete el tornillo de tensado un poco para evitar que caiga.



## Rellenado del depósito de aceite de la cadena

La cadena de la sierra se debe lubricar con aceite de la cadena durante las operaciones.

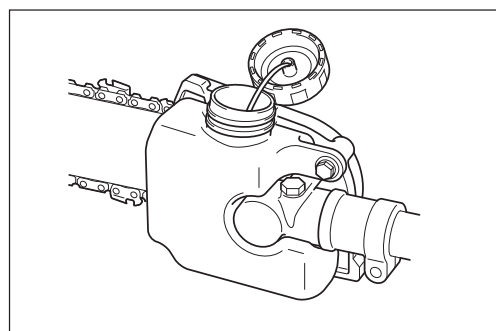
Antes de su uso, rellene el depósito del aceite de la cadena. Tras el suministro del aceite, apriete la tapa del depósito de aceite firmemente.

Utilice solamente aceite de la cadena original de Makita.

### AVISO:

- No utilice nunca aceite residual. Puede dañar la bomba de aceite.
- Evite un entorno polvoriento cuando rellene el aceite de la cadena. El polvo y otros objetos extraños pueden dañar el sistema de alimentación de aceite.

Durante las operaciones, preste siempre atención al nivel de aceite. Rellene el depósito si el nivel de aceite es bajo. El depósito se vacía en aproximadamente 40 minutos de funcionamiento (dependiendo del ajuste de lubricación de la cadena).

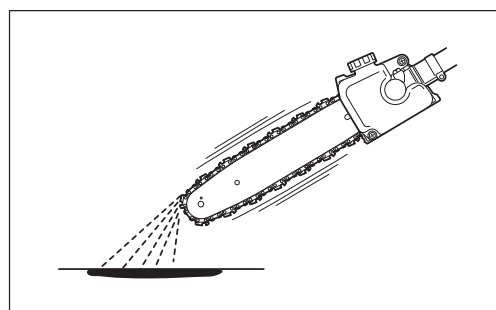
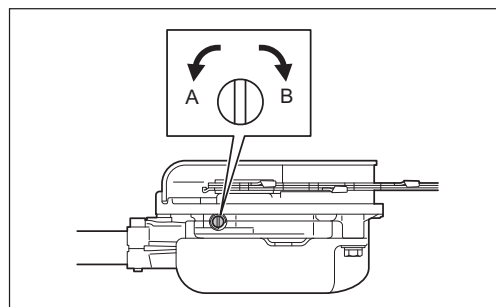


## Ajuste del nivel de lubricación de la cadena

El nivel de lubricación de la cadena se puede ajustar en tres pasos. En función de las operaciones, por ejemplo, corte de ramas duras, ajuste el nivel de lubricación.

Para ajustar el nivel de lubricación de la cadena utilice un destornillador de punta plana. Presione el tornillo de ajuste y gírelo. Para aumentar el nivel de lubricación, gire el tornillo de ajuste en el sentido contrario a las agujas del reloj **(A)**. Para reducir el nivel de lubricación, gírelo en el sentido de las agujas del reloj **(B)**.

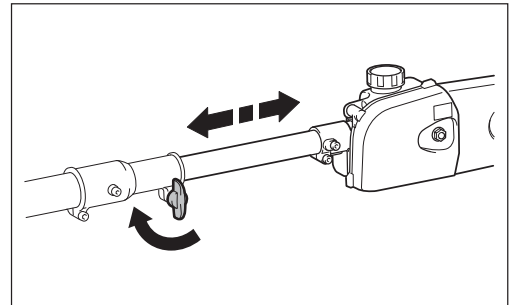
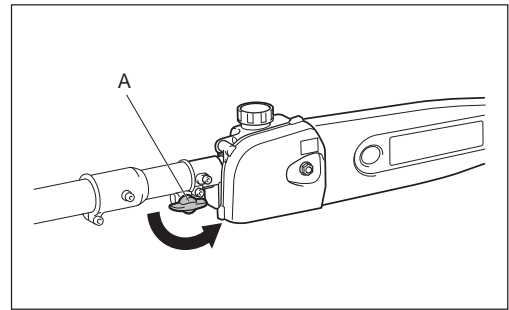
Tras ajustar el nivel de lubricación de la cadena, compruebe la cantidad de aceite dispensado haciendo funcionar el equipo a velocidad media.



## Ajuste de la longitud de la sierra de extensión

Ajuste la longitud de la sierra de extensión de la siguiente manera:

1. Gire el pomo (A) en el sentido contrario a las agujas del reloj.
2. Ajuste la longitud de la extensión.
3. Gire el pomo en el sentido de las agujas del reloj para apretar el cabezal del equipo.



## Correa de hombro

### Ajuste de la correa de hombro

Ajuste la correa a la longitud adecuada para la tarea.

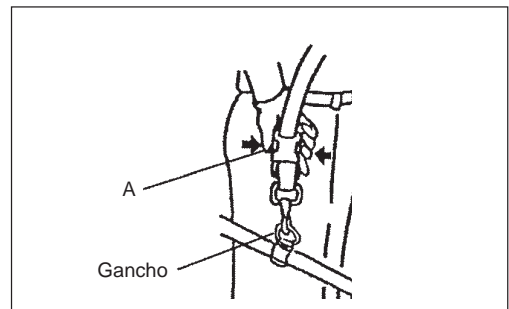
### Separación

En caso de emergencia, pulse las muescas (A) de ambos lados y suelte el equipo.

Tenga mucho cuidado para mantener el control del equipo en ese momento. No permita que el equipo se desvíe hacia usted o hacia cualquiera que se encuentre cerca de usted.

**ADVERTENCIA:** Si no se mantiene un control completo de la máquina, se pueden causar lesiones graves o la MUERTE.

Nota: En algunos países, la correa de hombro no tiene esta función de separación.





## Inspección y rellenado del aceite de motor

- Realice el siguiente procedimiento con el motor frío.
- Coloque el motor en una posición nivelada, retire la tapa de aceite (Fig. 1) y compruebe si hay aceite en el intervalo entre las marcas de límite superior e inferior del tubo de aceite (Fig. 2).
- Rellene aceite hasta la marca de límite superior si la cantidad de aceite es insuficiente (el nivel de aceite está cerca de la marca de límite inferior) (Fig. 3).
- El área que rodea las marcas externas es transparente, por lo que la cantidad de aceite se puede comprobar sin tener que retirar la tapa de aceite. No obstante, si el tubo de aceite está extremadamente sucio, la visibilidad puede ser nula y el nivel de aceite se tendrá que comprobar con la sección graduada del interior del tubo de aceite.
- Para su referencia, el intervalo de rellenado de aceite es de 10 h (cada 10 repostajes).  
Si el aceite cambia de color o se mezcla con suciedad, sustitúyalo con uno nuevo. (Para conocer el intervalo y el método de sustitución, consulte la P 150)

**Aceite recomendado:** Aceite SAE 10W-30 de Clasificación API, Clase SF o superior (motor de 4 tiempos para automoción)

**Volumen de aceite:** Aprox. 0,08 L

**Nota:** Si el motor no se mantiene recto, el aceite puede distribuirse por el motor y el rellenado puede ser excesivo.  
Si se rellena aceite por encima del límite, el aceite puede contaminarse o puede prender fuego y provocar un humo blanco.

### Punto 1 de la sustitución de aceite: "Tapa de aceite"

- Retire el polvo o la suciedad de alrededor de la abertura de rellenado de aceite y extraiga la tapa de aceite.
- Mantenga la tapa de aceite libre de tierra o suciedad. De lo contrario, la tierra o la suciedad que se adhieran a la tapa de aceite pueden causar una circulación irregular de aceite o un desgaste en las piezas del motor, lo que puede provocar problemas.

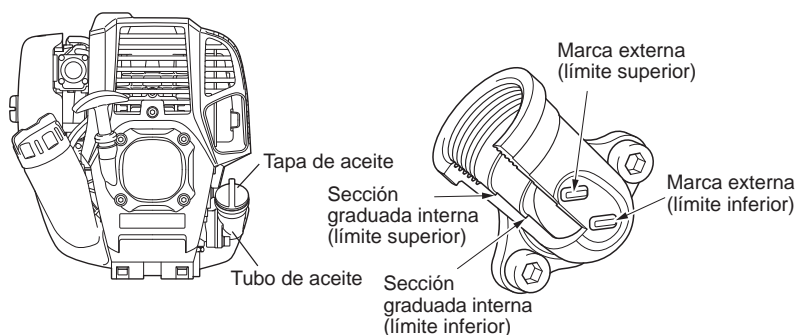


Fig. 1

Fig. 2 Tubo de aceite

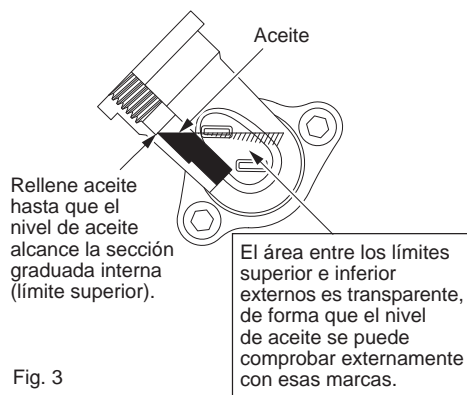
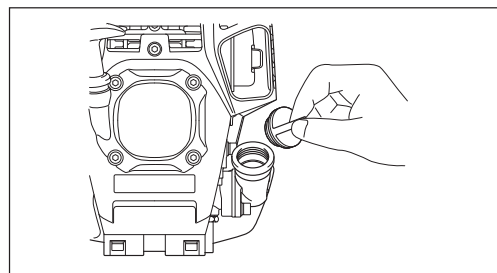
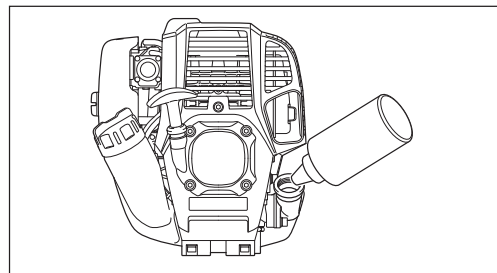


Fig. 3

- (1) Mantenga el motor nivelado y extraiga la tapa de aceite.



- (2) Rellene aceite hasta la marca de límite superior. (consulte la Fig. 3)  
Utilice una botella de aceite cuando rellene.



- (3) Apriete firmemente la tapa de aceite. Un apriete insuficiente puede causar fugas de aceite.

### Nota

- No rellene aceite con el motor en una posición inclinada.
- Si se rellena aceite con el motor inclinado se producirá un exceso de llenado, que provocará contaminación por aceite y/o humo blanco.

### Punto 2 de la sustitución de aceite: “Si se derrama aceite”

- Si se derrama aceite entre el depósito de combustible y la unidad principal del motor, el aceite se succionará a través de la abertura de entrada de aire, lo que contaminará el motor. Asegúrese de limpiar el aceite derramado antes de empezar a utilizar la herramienta.

## REPOSTAJE

### Manejo del combustible

Tenga el máximo cuidado cuando maneje el combustible. El combustible puede contener sustancias similares a los disolventes. Reposte en una habitación bien ventilada o al aire libre. No inhale el vapor de combustible y evite cualquier contacto con el combustible. El contacto prolongado de la piel con estos productos hará que la piel se reseque, lo que puede provocar enfermedades en la piel o alergias. Si el combustible entra en contacto con los ojos, límpielos con agua potable. Si sus ojos siguen irritados, acuda inmediatamente a un médico. No realice el repostaje al atardecer o en una superficie inestable.

### Período de almacenamiento del combustible

El combustible debe utilizarse en un período de 4 semanas, aunque se conserve en un contenedor especial a la sombra en una zona bien ventilada.

Si no se utiliza un contenedor especial o si el contenedor no está a cubierto, el combustible se puede deteriorar en un día.

### ALMACENAMIENTO DE LA MÁQUINA Y DEL DEPÓSITO DE RELLENADO

- Mantenga la máquina y el depósito en un lugar fresco alejado de la luz directa del sol.
- No guarde nunca el combustible en el interior de un vehículo o en un maletero.

## Combustible

El motor es un motor de cuatro tiempos. Asegúrese de utilizar gasolina de automoción (gasolina normal o gasolina premium).

### Observaciones sobre el combustible

- Nunca utilice una mezcla de gasolina que contenga aceite de motor. De lo contrario, provocará una acumulación excesiva de carbonilla o problemas mecánicos.
- El uso de aceite deteriorado provocará un arranque irregular.

## Repostaje

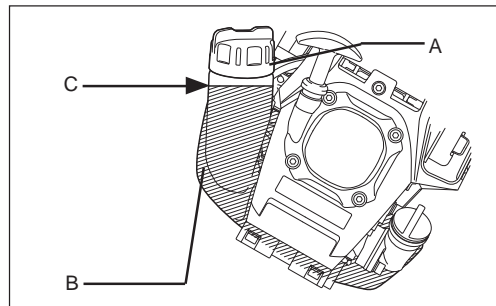
### ADVERTENCIA: LOS MATERIALES INFLAMABLES ESTÁN ESTRICTAMENTE PROHIBIDOS

**PRECAUCIÓN:** No se olvide de cerrar la tapa del depósito de combustible tras el repostaje. Nunca ponga en marcha el motor con la tapa del depósito de combustible abierta.

**Gasolina utilizada:** Gasolina de automoción (gasolina sin plomo)

1. Afloje la tapa del depósito de combustible **(A)** un poco para evitar el derrame de combustible.
2. Retire la tapa del depósito de combustible. Incline el motor de forma que el puerto de repostaje mire hacia arriba.
3. Reposte con cuidado con el aire que sale del depósito de combustible **(B)**. (No reposte por encima del límite superior de combustible **(C)**.)
4. Limpie bien la periferia de la tapa del depósito de combustible para evitar que entren objetos extraños en el depósito de combustible.
5. Tras el repostaje, apriete firmemente la tapa del depósito de combustible.

- Si hay defectos o daños en la tapa del depósito, sustitúyala.
- La tapa del depósito se desgasta con el paso del tiempo. Sustitúyala cada dos o tres años.



## ASPECTOS DEL MANEJO Y CÓMO PARAR LA MÁQUINA

### PRECAUCIÓN:

Respete las normativas de prevención de accidentes en vigor.

### AVISO:

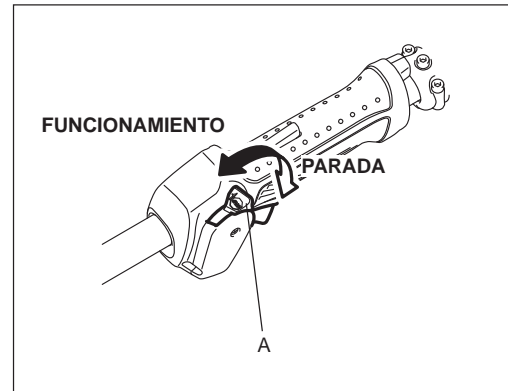
Retire la cubierta de la barra de guía antes de poner en marcha el motor.

### ARRANQUE

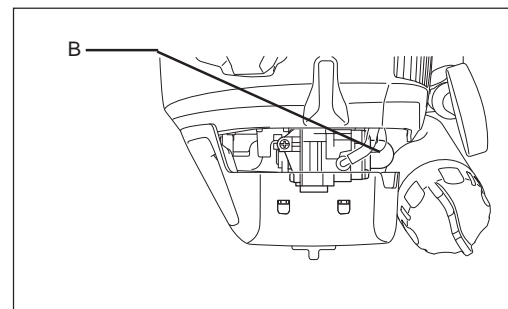
Aléjese 3 m como mínimo del lugar de repostaje. Coloque el equipo sobre un lugar despejado, con cuidado de que el accesorio no entre en contacto con el suelo u otros objetos.

#### A: Arranque en frío

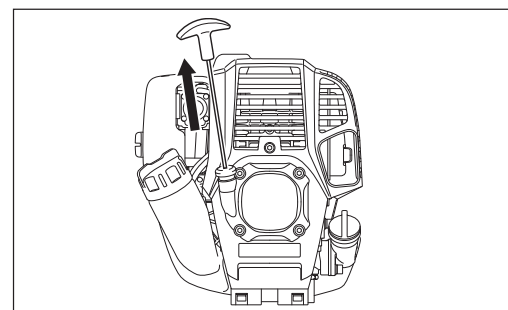
- 1) Coloque la máquina sobre una superficie plana.
- 2) Ajuste el interruptor I-O (**A**) en FUNCIONAMIENTO.



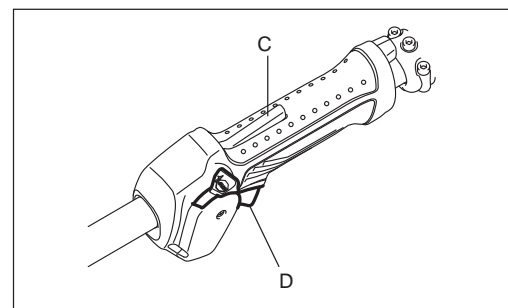
- 3) Bomba de cebado  
Siga accionando la bomba de cebado (**B**) hasta que el combustible entre en ella.  
(En general, el combustible entra en la bomba de cebado con 7 a 10 pulsaciones.)  
Si se acciona la bomba de cebado en exceso, el exceso de gasolina vuelve al depósito de combustible.



- 4) Arrancador de retroceso  
Tire lentamente de la empuñadura de arranque hasta que note cierta resistencia (punto de compresión). A continuación, devuelva la empuñadura de arranque a su posición y tire con fuerza de ella. Nunca tire por completo de la cuerda de arranque. Cuando haya tirado de la empuñadura de arranque, no la suelte inmediatamente. Sujete la empuñadura de arranque hasta que vuelva a su posición original.



- 5) La empuñadura cuenta con una palanca de desbloqueo (**C**) para impedir la puesta en marcha accidental. Para tirar de la palanca de la mariposa de gases (**D**), agarre la empuñadura para liberar el bloqueo (el botón de desbloqueo se pulsa mediante la presión de la mano).
- 6) Operación de calentamiento  
Continúe con la operación de calentamiento durante 2 ó 3 minutos.



Nota: Si se produce una entrada excesiva de combustible, extraiga la bujía y tire lentamente de la empuñadura de arranque para eliminar el exceso de combustible. Asimismo, seque la sección del electrodo de la bujía.

### Precaución durante el funcionamiento:

Si la palanca de la mariposa de gases se abre completamente durante el funcionamiento sin carga, las revoluciones del motor aumentan por encima de las 10.000 min<sup>-1</sup> o más. Nunca haga funcionar el motor a una velocidad superior a la necesaria y mantenga las revoluciones a una velocidad aproximada de 6.000 - 8.500 min<sup>-1</sup>.

### B: Arranque después de la operación de calentamiento

- 1) Pulse la bomba de cebado repetidamente.
- 2) Mantenga la palanca de la mariposa de gases en la posición de ralentí.
- 3) Tire del arrancador de retroceso con fuerza.
- 4) Si resulta difícil arrancar el motor, abra la mariposa de gases 1/3. Preste atención al accesorio, que puede girar.

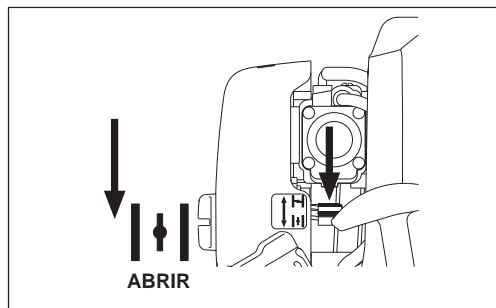
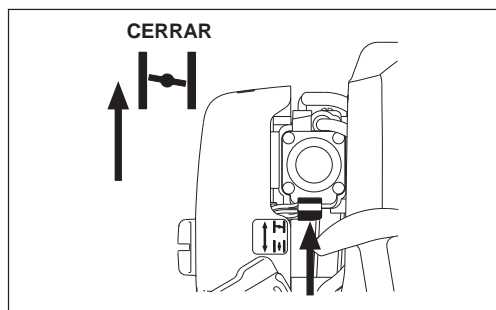
En ocasiones, como en invierno, cuando resulte difícil poner en marcha el motor

Utilice la palanca del estrangulador con el siguiente procedimiento cuando ponga en marcha el motor.

- Tras aplicar los pasos de arranque 1) a 3), ajuste la posición de la palanca de bloqueo en CERRAR.
- Aplique el paso de arranque 4) y ponga en marcha el motor.
- Cuando haya puesto en marcha el motor, ajuste la palanca del estrangulador en la posición ABRIR.
- Aplique el paso 5) de arranque y complete el calentamiento.

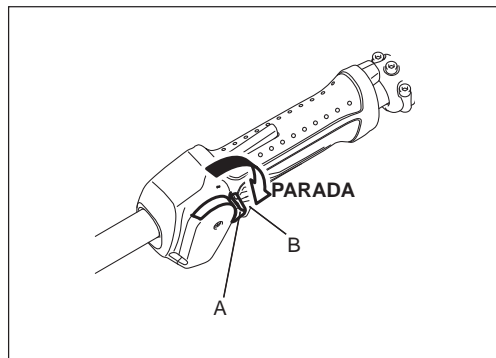
**PRECAUCIÓN:** Si se oye un estallido (sonido de explosión) y el motor se detiene, o el motor que se acaba de poner en marcha se cala antes de accionar la palanca del estrangulador, devuelva la palanca del estrangulador a la posición ABRIR y tire de la empuñadura de arranque unas cuantas veces para poner en marcha el motor.

**PRECAUCIÓN:** Si la palanca del estrangulador se coloca en la posición CERRAR y se tira repetidamente de la empuñadura de arranque, se succionará demasiado combustible y el motor tendrá dificultades para ponerse en marcha.



### PARADA

- 1) Suelte la palanca de la mariposa de gases (**B**) completamente y, cuando se hayan reducido las RPM del motor, ajuste el interruptor I-O (**A**) en la posición PARADA para detener el motor.
- 2) Tenga en cuenta que es posible que el accesorio no se detenga inmediatamente y permita que reduzca su velocidad hasta detenerse.

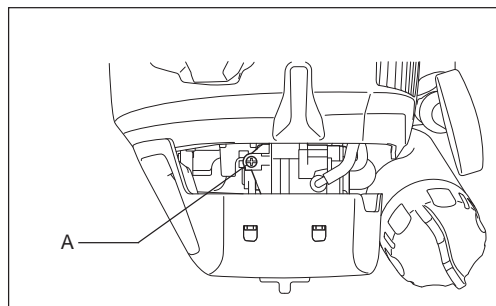


### AJUSTE DE LA ROTACIÓN DE BAJA VELOCIDAD (RALENTÍ)

Cuando sea necesario ajustar la rotación a baja velocidad (ralentí), hágalo mediante el tornillo de ajuste del carburador (**A**).

### COMPROBACIÓN DE LA ROTACIÓN A BAJA VELOCIDAD

- Ajuste la velocidad de giro en vacío en 3.000 min<sup>-1</sup>. Si resulta necesario cambiar la velocidad de giro, regule el tornillo de ajuste con un destornillador Phillips.
- Gire el tornillo de ajuste hacia la derecha y la velocidad de giro del motor aumentará. Gire el tornillo de ajuste hacia la izquierda y se reducirá el giro del motor.
- El carburador se suele ajustar antes del envío. Si se debe reajustar, póngase en contacto con un centro de servicio autorizado.



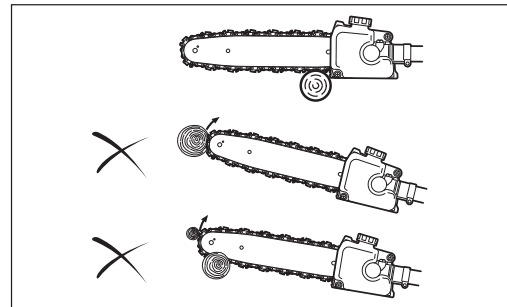
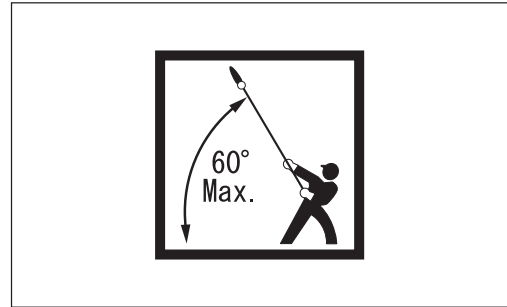
## FUNCIONAMIENTO

### Posición estándar

- Colóquese sobre una superficie estable. Asegúrese de que el ángulo de la sierra de extensión sea de 60° respecto al suelo horizontal.
- Corte las ramas inferiores primero para que las ramas caigan más fácilmente.
- Tenga siempre una ruta de escape en caso de que una rama cortada caiga hacia el operario.

### Método

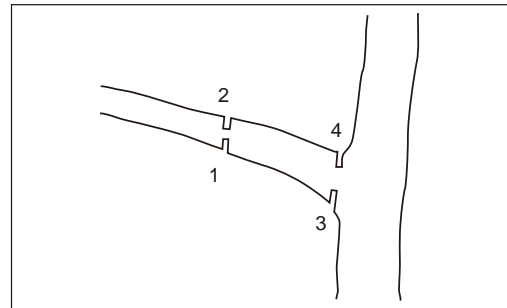
- Ponga en marcha el motor y tire de la mariposa de gases hasta que la cadena de la sierra alcance su velocidad máxima.
- Presione la cadena de la sierra sobre la rama ligeramente. No fuerce el equipo, de lo contrario, se puede dañar.
- No utilice nunca el extremo de la barra para cortar. De lo contrario, se puede producir un contragolpe peligroso y se pueden provocar lesiones personales.



### Consejos para cortar ramas gruesas

Cuando corte una rama gruesa, utilice el método siguiente.

1. Realice una pequeña muesca en el lado inferior de la rama, a una pequeña distancia de donde piensa cortar.
2. Corte la rama desde el lado superior respecto a donde ha realizado la muesca.
3. Realice otra pequeña muesca en el lado inferior de la rama donde piensa cortar.
4. Corte donde tiene planeado cortar desde el lado superior.



## INSTRUCCIONES DE SERVICIO

**PRECAUCIÓN:** Antes de realizar algún trabajo en el equipo, detenga siempre el motor y desconecte el conector de la bujía (consulte "comprobación de la bujía").

Utilice siempre guantes de protección.

Durante la inspección o el mantenimiento del equipo, déjelo siempre en el suelo. El montaje o el ajuste del equipo en una posición vertical pueden provocar lesiones graves.

Coloque siempre la cubierta de la barra de guía durante las operaciones de mantenimiento.

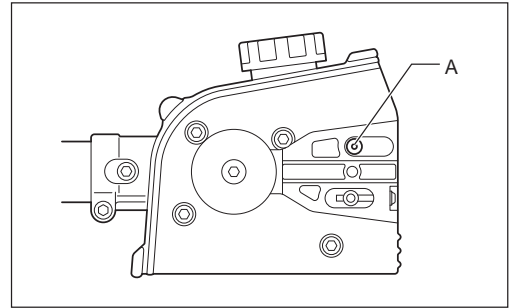
Para garantizar una larga vida útil y para evitar daños en el equipo, realice las siguientes operaciones de mantenimiento periódicamente.

### Inspección diaria y mantenimiento

- Antes de la puesta en funcionamiento, compruebe la máquina por si tiene tornillos flojos o si faltan piezas. Preste especial atención a un accesorio especificado para su montaje en un lugar de forma segura.
- Antes del uso, compruebe que los conductos de aire y las aletas del cilindro no se hayan obstruido. Límpielos si es necesario.
- Realice los siguientes trabajos tras el uso diario:
  - Limpie el equipo externamente y busque si hay daños.
  - Limpie el filtro de aire. Cuando trabaje en condiciones extremas de polvo, limpie el filtro varias veces al día.
  - Compruebe que haya una diferencia suficiente entre la velocidad de ralentí y la velocidad de acoplamiento para garantizar que el accesorio esté detenido mientras el motor está al ralentí (si es necesario, reduzca la velocidad de ralentí). Si a velocidad de ralentí la herramienta sigue funcionando, consulte con su Agente de servicio autorizado más próximo.
- Compruebe el funcionamiento del interruptor I-O, la palanca de desbloqueo y la palanca de control.

## Limpeza del puerto de alimentación de aceite de la cadena

Limpe el puerto de alimentación de aceite de la cadena (A) diariamente. Para acceder a él, retire el soporte de la barra y la barra de guía.

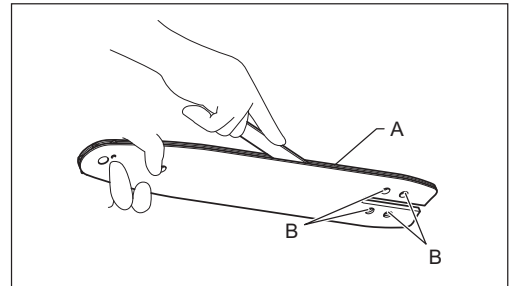


## Limpeza e inspección de la barra de guía

Limpe la barra de guía diariamente. Retire el polvo de la sierra de la ranura (A) y del puerto de alimentación de aceite de la cadena (B).

Para evitar el desgaste por un lado de la barra de la guía, gírela cada vez que reemplace o afile la cadena de la sierra.

Si la ranura está gastada, doblada, agrietada o deformada, sustituya la barra de guía.



## Inspección de la cadena de la sierra

Si detecta que la cadena de la sierra está gastada, deformada, agrietada o necesita realizar un esfuerzo mayor para cortar, reemplácela o solicite a un centro de servicio autorizado de Makita que la afile.

## Lubricación de partes móviles

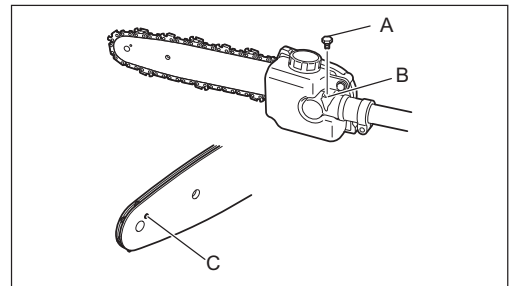
**AVISO:** Siga las instrucciones relativas a la frecuencia y la cantidad de grasa suministrada. De lo contrario, una lubricación insuficiente puede dañar las partes móviles.

Caja de engranajes:

Retire el tapón de engrase (A) y rellena grasa con base de litio a través del orificio para la grasa (B) cada 25 horas de uso.

Punta de la barra de guía:

Aplique grasa (Shell Alvania N° 2 o equivalente) en el orificio para la grasa (C) cada 10 horas de uso.



## SUSTITUCIÓN DEL ACEITE DEL MOTOR

El aceite de motor deteriorado acortará en gran medida la duración de las partes deslizantes y giratorias. Asegúrese de comprobar el período y la cantidad de reemplazo.



**ATENCIÓN:** En general, la unidad principal del motor y el aceite de motor permanecen calientes después de apagar el motor. Al reemplazar el aceite, compruebe que la unidad principal del motor y el aceite de motor se hayan enfriado suficientemente. De lo contrario, puede haber un riesgo de quemaduras.

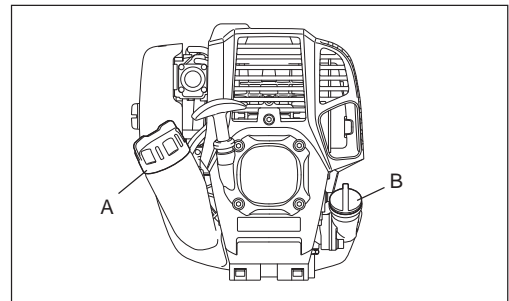
**Nota:** Si se llena aceite por encima del límite, puede contaminarse o incendiarse y provocar un humo blanco.

**Intervalo de reemplazo:** Inicialmente cada 20 horas de uso y posteriormente cada 50 horas de uso

**Aceite recomendado:** Aceite SAE10W-30 de Clasificación API Clase SF o superior (aceite de motor de 4 tiempos para automoción)

Para el reemplazo, siga este procedimiento.

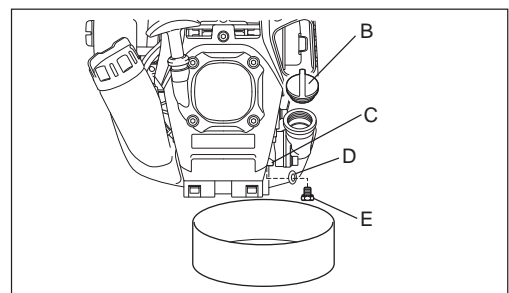
- 1) Compruebe que la tapa del depósito de combustible (A) esté apretada de forma segura.
- 2) Coloque un contenedor grande (bandeja, etc.) debajo del orificio de drenaje (C).



- 3) Retire el perno de drenaje (E) y después retire la tapa de aceite (B) para drenar el aceite a través del orificio de drenaje. En este paso, asegúrese de no perder la junta del perno de drenaje (D) y no ensucie ninguno de los componentes retirados.

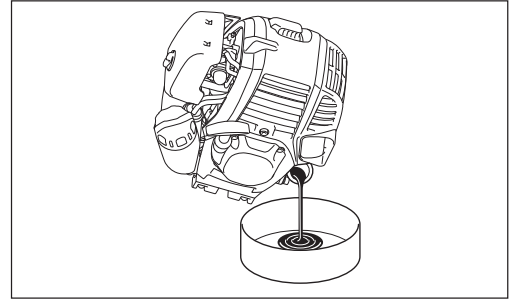
- 4) Cuando se haya drenado todo el aceite, combine la junta y el perno de drenaje y apriete firmemente el perno de drenaje, de forma que no se afloje y no provoque fugas.

\* Utilice un paño para limpiar el aceite que pueda haber quedado en el perno y el equipo.

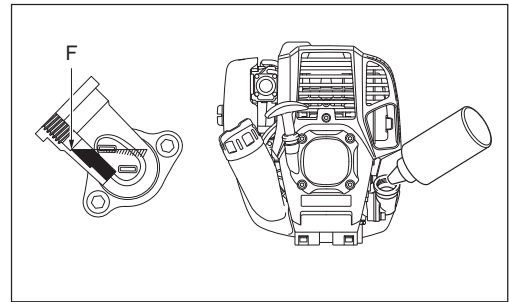
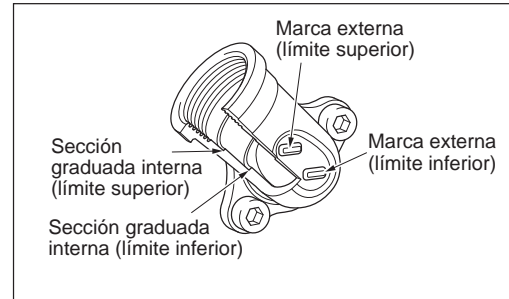


#### Método de drenaje alternativo

Retire la tapa de aceite, incline el equipo hacia el orificio de llenado de aceite y drene el aceite.  
Recoja el aceite en el contenedor.



- 5) Coloque el motor en una posición nivelada y rellene gradualmente hasta la marca de límite superior (**F**) con aceite nuevo.
- 6) Tras el llenado, apriete firmemente la tapa de aceite para que no se afloje y no tenga fugas.  
Si la tapa de aceite no se aprieta firmemente, puede tener fugas.



#### ASPECTOS SOBRE EL ACEITE

- Nunca deseche el aceite de motor reemplazado en la basura convencional, en el suelo o en la red de alcantarillado. La eliminación de los desechos de aceite está regulada por ley. Para eliminar esos desechos, siga las leyes y normativas aplicables. Si tiene alguna duda, póngase en contacto con un agente de servicio autorizado.
- El aceite se deteriorará aunque se guarde sin utilizar. Realice la inspección y el reemplazo a intervalos periódicos (reemplace con aceite nuevo cada 6 meses).

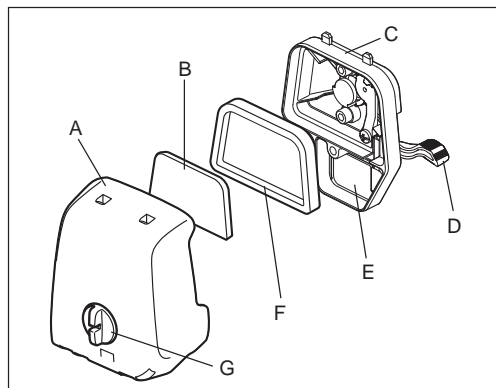
## LIMPIEZA DEL FILTRO DE AIRE



**PELIGRO: LOS MATERIALES INFLAMABLES ESTÁN Estrictamente PROHIBIDOS**

### Intervalo de limpieza e inspección: Diariamente (cada 10 horas de uso)

- Gire la palanca del estrangulador **(D)** hasta el lado de cierre total y mantenga el carburador alejado del polvo o de la suciedad.
- Afloje el perno de fijación **(G)**.
- Retire la cubierta del filtro de aire **(A)** tirando de su lado inferior.
- Retire los elementos **(B) (F)** y golpéelos suavemente para eliminar la suciedad.
- Si los elementos están muy contaminados: retírelos, sumérjalos en agua templada o en detergente neutro diluido y séquelos completamente. No los apriete ni los frote cuando los limpie.
- Antes de acoplar los elementos, asegúrese de secarlos completamente. Un secado insuficiente de los elementos puede provocar dificultades para arrancar.
- Retire el aceite adherido alrededor de la cubierta del filtro de aire y la parte del conducto de ventilación **(E)** con un paño desechable.
- Encaje el elemento (esponja) **(B)** en el elemento (fieltro) **(F)**. Encaje los elementos en la placa **(C)** de forma que la esponja mire hacia la cubierta del filtro de aire.
- Acople inmediatamente la cubierta del filtro y apriétela con los pernos de fijación. (Para volver a montar, primero coloque el gancho superior y después el gancho inferior.)



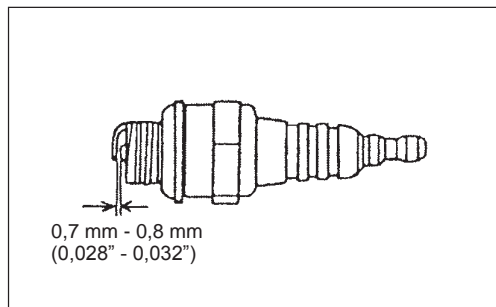
### AVISO:

- Limpie los elementos varias veces al día si se adhiere a ellos un exceso de suciedad. Los elementos sucios reducen la potencia del motor y dificultan el arranque del motor.
- Retire el aceite de los elementos. Si se continúa con el uso sin limpiar de aceite los elementos, el aceite del filtro de aire puede caer en el exterior y provocar contaminación del medio ambiente.
- No coloque los elementos en el suelo o en un lugar sucio. Si lo hace, se ensuciarán o acumularán residuos y el motor se puede dañar.
- Nunca utilice combustible para limpiar los elementos. El combustible puede dañarlos.

## COMPROBACIÓN DE LA BUJÍA

- Utilice solamente la llave de vaso suministrada para quitar o poner la bujía.
- La holgura entre los dos electrodos de la bujía debe ser de 0,7- 0,8 mm (0,028" - 0,032"). Si la holgura es demasiado grande o pequeña, ajústela. Si la bujía está obstruida o contaminada, límpiela minuciosamente o reemplácela.

**PRECAUCIÓN:** Nunca toque el conector de la bujía mientras el motor está funcionando (peligro de recibir una descarga eléctrica de alta tensión).





## LIMPIEZA DEL FILTRO DE COMBUSTIBLE

### ADVERTENCIA: LOS MATERIALES INFLAMABLES ESTÁN EstrictAMENTE PROHIBIDOS

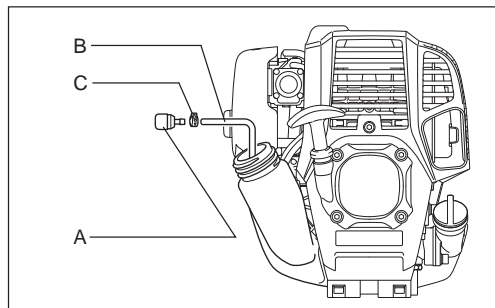
Intervalo de limpieza e inspección: Mensualmente (cada 50 horas de uso)

#### Cabezal de succión en el depósito de combustible

Compruebe el filtro de combustible **(A)** periódicamente. Para comprobar el filtro de combustible, siga estos pasos:

- (1) Retire la tapa del depósito de combustible y drene el combustible hasta vaciar el depósito. Compruebe si hay materiales extraños en el interior del depósito. Si los hubiera, retírelos.
- (2) Extraiga el cabezal de succión mediante un gancho de alambre a través de la apertura del depósito.
- (3) Si el filtro de combustible está ligeramente obstruido, límpielo. Para limpiarlo, sacúdalo y golpéelo suavemente en combustible. Para evitar daños, no lo apriete ni lo frote. El combustible que se utiliza para la limpieza se debe desechar de acuerdo con el método especificado por la legislación de su país.  
Si el filtro de combustible se ha endurecido o está muy obstruido, sustitúyalo.
- (4) Tras la tarea de comprobación, limpieza o sustitución, inserte el filtro de combustible en el tubo de combustible **(B)** y fíjelo mediante la abrazadera de la manguera **(C)**. Empuje el filtro de aceite completamente hasta la parte inferior del depósito de combustible.

Un filtro de combustible obstruido o dañado puede provocar un suministro insuficiente de combustible y puede reducir la potencia del motor. Sustituya el filtro de combustible como mínimo trimestralmente para garantizar un suministro de combustible satisfactorio al carburador.



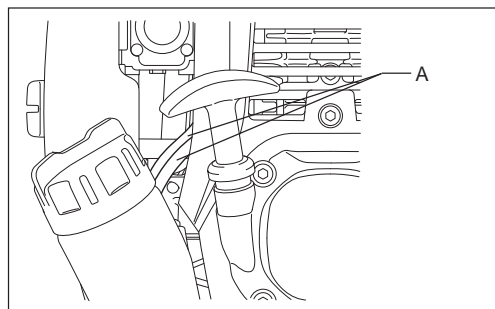
## REEMPLAZO DEL CONDUCTO DE COMBUSTIBLE

### PRECAUCIÓN: LOS MATERIALES INFLAMABLES ESTÁN EstrictAMENTE PROHIBIDOS

Intervalo de limpieza e inspección: Diariamente (cada 10 horas de uso)  
Reemplazo: Anualmente (cada 200 horas de uso)

Reemplace el conducto de combustible **(A)** cada año, independientemente de la frecuencia de utilización. La fuga de combustible puede provocar un incendio.

Si se detecta una fuga durante la inspección, reemplace el conducto de combustible inmediatamente.



## INSPECCIÓN DE LOS PERNOS, LAS TUERCAS Y LOS TORNILLOS

- Reapriete los pernos, tuercas y demás elementos flojos.
- Compruebe si hay fugas de combustible y aceite.
- Reemplace las piezas dañadas con piezas nuevas para garantizar un uso seguro.

## LIMPIEZA DE LAS PIEZAS

- Mantenga el motor siempre limpio.
- Mantenga las aletas del cilindro libres de polvo o suciedad. El polvo o la suciedad adheridos a las aletas provocarán el gripado del pistón.

## REEMPLAZO DE LAS JUNTAS Y RETENES

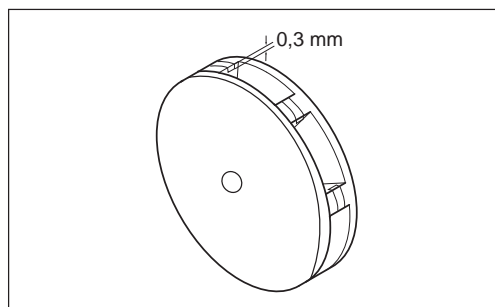
Cuando vuelva a montar el motor tras desmontarlo, asegúrese de reemplazar las juntas y los retenes por unos nuevos.

Cualquier mantenimiento o trabajo de ajuste que no se describa en este manual solamente deben realizarlo agentes de servicio autorizados.

## INSPECCIÓN DE LA RUEDA DENTADA

Compruebe el desgaste de la rueda dentada cada 50 horas de uso.

Reemplácela si las marcas de desgaste llegan a 0,3 mm o son más profundas.



## Afilado de la cadena de sierra

### Afile la cadena de sierra cuando:


- Se produzca polvo de sierra harinoso al cortar madera húmeda.
- La cadena penetre en la madera con dificultad, incluso si se aplica una fuerte presión.
- El borde de corte esté visiblemente dañado.
- La sierra se desplace a la izquierda o la derecha en la madera. El motivo de este comportamiento es que la cadena de sierra no está afilada de forma uniforme o que sólo está dañada de un lado.

### Afile la cadena de sierra con frecuencia pero extraiga solamente un poco de material cada vez.

Dos o tres golpes de lima suelen ser suficientes para el afilado rutinario de la sierra. Si ha afilado varias veces la cadena de sierra, llévela a un centro de servicio autorizado de MAKITA para que la afilen.

### Criterios de afilado:

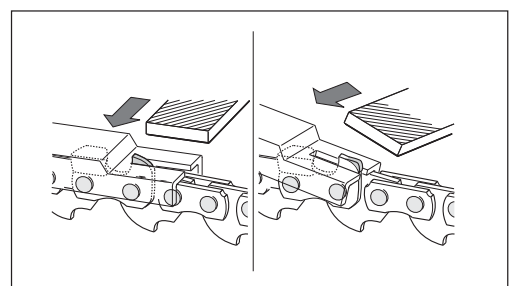
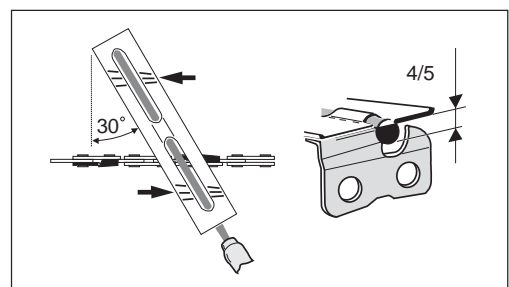
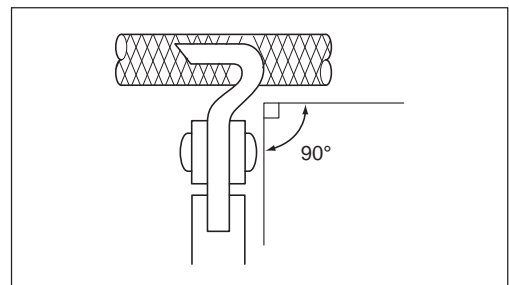
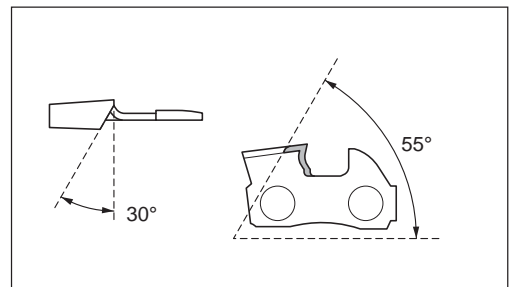
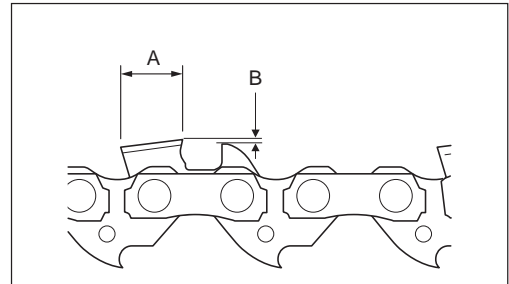
- La longitud de todas las cortadoras (**A**) debe ser igual. Las cortadoras de distinta longitud evitan que la cadena funcione suavemente y pueden hacer que se rompa.
- El grosor de las virutas viene determinado por la distancia entre el calibre de profundidad y el borde de corte (**B**).
- Para obtener los mejores resultados de corte, debe haber la siguiente distancia entre el borde de corte y el calibre de profundidad.  
Cuchilla de cadena 91VXL: 0,64 mm (0,025")

 **ADVERTENCIA:** Si la distancia es excesiva, aumenta el riesgo de retroceso.

- El ángulo de 30° de afilado debe ser el mismo en todas las cortadoras. Las diferencias de ángulo provocan que la cadena se mueva con dificultad y de forma no uniforme, que se acelere el desgaste y que se rompa la cadena.
- El ángulo de la placa lateral de la cortadora viene determinado por la profundidad de penetración de la lima redonda. Si se utiliza correctamente la lima especificada, se produce automáticamente el ángulo de la placa lateral correcto.
- Un ángulo correcto para cadena de la sierra es el siguiente:  
Cuchilla de cadena 91VXL: 55°

### Lima y guía de la lima

- Utilice una lima redonda (accesorio opcional) para cadenas de sierra para afilar la cadena. Las limas redondas normales no son adecuadas.
- El diámetro de la lima redonda para cada cadena de la sierra debe ser el siguiente:  
Cuchilla de cadena 91VXL: 4,0 mm (5/32")
- La lima sólo debe aplicarse a la cortadora en el golpe de avance. Retire la lima de la cortadora en el golpe de retroceso.
- Afile primero la cortadora de menor longitud. En ese momento, la longitud de esta cortadora más corta se convierte en el estándar para todas las otras cortadoras de la cadena de la sierra.
- Guía la lima tal y como se muestra.
- La lima puede guiarse con mayor facilidad si se utiliza un portalimas (accesorio opcional). El portalimas tiene marcas que indican el ángulo de afilado correcto de 30° (alinee las marcas en paralelo a la cadena de sierra) y limita la profundidad de penetración (a 4/5 del diámetro de la lima).
- Tras afilar la cadena, compruebe la altura del calibre de profundidad con la herramienta para medir el calibre de la cadena (accesorio opcional).
- Retire cualquier material que pueda salir proyectado, por pequeño que sea, con una lima plana especial (accesorio opcional).
- Remate nuevamente la parte delantera del calibre de profundidad.

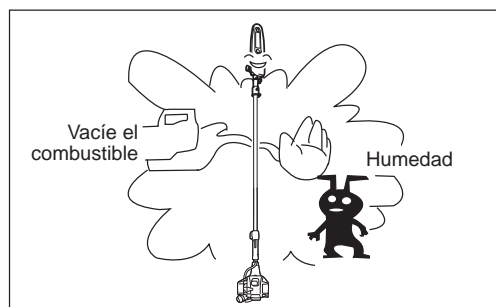




**ADVERTENCIA:** Cuando drene el combustible, asegúrese de detener el motor y compruebe que se haya enfriado el motor.  
**El motor aún está caliente después de detenerlo. Espere hasta que se enfríe, de lo contrario puede provocar quemaduras o un incendio.**

Cuando la máquina se mantenga fuera de servicio durante un período de tiempo prolongado, realice lo siguiente:

- Drene el combustible del depósito de combustible y del carburador de acuerdo con el siguiente procedimiento:
  - 1) Extraiga la tapa del depósito de combustible y drene el combustible completamente. Si queda algún objeto extraño en el depósito de combustible, retírelo completamente.
  - 2) Extraiga el filtro de combustible de la abertura de relleno mediante un alambre.
  - 3) Presione la bomba de cebado hasta que se haya drenado el combustible y drene el combustible que entra en el depósito de combustible.
  - 4) Vuelva a colocar el filtro en el depósito de combustible y fije firmemente la tapa del depósito de combustible.
  - 5) A continuación, continúe con la máquina encendida hasta que el motor se detenga.
- Drene el aceite de la cadena.
- Retire la cadena de la sierra y la barra de guía.
- Limpie la ranura de guía de la barra de guía.
- Lubrique ligeramente la cadena de la sierra y la barra de guía.
- Extraiga la bujía y aplique varias gotas de aceite de motor a través del orificio de la bujía.
- Tire suavemente de la empuñadura de arranque para que el aceite de motor se extienda por el motor y, a continuación, vuelva a colocar la bujía.
- En general, almacene la máquina en posición horizontal. Si no es posible, coloque la máquina con la unidad del motor debajo de la herramienta de corte. De lo contrario, se puede verter aceite de motor del interior.
- Preste siempre atención al almacenamiento de la máquina en un lugar seguro para evitar daños a la máquina y daños personales.
- Mantenga el combustible drenado en un contenedor especial en una zona a la sombra y bien ventilada.



### Atención tras un almacenamiento prolongado

- Antes de la puesta en marcha tras un almacenamiento prolongado, asegúrese de sustituir el aceite del motor (consulte "SUSTITUCIÓN DEL ACEITE DEL MOTOR"). El aceite se deteriorará durante el tiempo que la máquina haya permanecido sin utilizar.

### Localización de averías

Avería	Sistema	Observación	Causa
El motor no se enciende o lo hace con dificultad	Sistema de encendido	Chispa de encendido correcta	Avería en el sistema de suministro de combustible o compresión, defecto mecánico
		No hay chispa de encendido	Se ha utilizado el interruptor de PARADA, avería del cableado o cortocircuito, bujía o conector defectuoso, módulo de encendido defectuoso
	Suministro de combustible	Depósito de combustible lleno	Posición incorrecta del estrangulador, carburador defectuoso, línea de suministro de combustible doblada o bloqueada, combustible sucio
	Compresión	No hay compresión	La junta inferior del cilindro es defectuosa, los retenes del cigüeñal están dañados, el cilindro o los segmentos del pistón están dañados o el sellado de la bujía es incorrecto
Problemas de arranque en caliente	Avería mecánica	El arrancador no funciona	Muelle del arrancador roto, piezas rotas dentro del motor
		Depósito lleno, se produce la chispa de encendido	Carburador contaminado, límpielo
El motor arranca pero se para	Suministro de combustible	Depósito lleno	Ajuste del ralentí incorrecto, carburador sucio Ventilación del depósito de combustible defectuosa, línea de suministro de combustible interrumpida, cable o interruptor de PARADA defectuoso
Rendimiento insuficiente	Varios sistemas pueden verse afectados simultáneamente	Bajo ralentí del motor	Filtro de aire sucio, carburador sucio, silenciador obstruido, conducto de escape del cilindro obstruido

Tiempo de funcionamiento		Antes del uso	Después de la lubricación	Diariamente (10 h)	25 h	50 h	200 h	Apagado/ descanso
Elemento								
Toda la unidad	Inspeccionar visualmente	<input type="radio"/>						
Aceite de motor	Inspeccione	<input type="radio"/>						
	Debe sustituirse					<input type="radio"/> *1		
Apretar piezas (perno, tuerca)	Inspeccione	<input type="radio"/>						
Depósito de combustible	Inspeccione	<input type="radio"/>						
	Vacíe el combustible							<input type="radio"/> *3
Control de la mariposa de gases	Compruebe el funcionamiento	<input type="radio"/>	<input type="radio"/>					
Interruptor de parada	Compruebe el funcionamiento	<input type="radio"/>	<input type="radio"/>					
Velocidad de ralentí	Inspeccione/ ajuste			<input type="radio"/>				
Filtro de aire	Limpie			<input type="radio"/>				
Bujía	Inspeccione			<input type="radio"/>				
Conducto de aire de refrigeración	Limpie/ inspeccione			<input type="radio"/>				
Conducto de combustible	Inspeccione			<input type="radio"/>				
	Debe sustituirse						<input type="radio"/> *2	
Filtro de combustible	Limpie/ Reemplace					<input type="radio"/>		
Holgura de la válvula (válvula de entrada y válvula de escape)	Inspeccione/ ajuste						<input type="radio"/> *2	
Revisión del motor							<input type="radio"/> *2	
Carburador	Vacíe el combustible							<input type="radio"/> *3
Puerto de alimentación de aceite de la cadena	Limpie			<input type="radio"/>				
Barra de guía	Limpie la ranura y el puerto de alimentación de aceite de la cadena			<input type="radio"/>				
	Inspeccione			<input type="radio"/>				
	Suministrar grasa			<input type="radio"/>				
Caja de engranajes	Suministrar grasa				<input type="radio"/>			
Rueda dentada	Inspeccione					<input type="radio"/>		
Cadena de la sierra	Sustituir o solicitar el afilado							<input type="radio"/> *4

\*1 Realice el reemplazo inicial tras 20 horas de uso.

\*2 Para la inspección de las 200 horas de uso, solicítela al centro de servicio autorizado.

\*3 Tras vaciar el depósito de combustible, continúe haciendo funcionar el motor y drene el combustible del carburador.

\*4 Si es necesario.

## LOCALIZACIÓN Y SOLUCIÓN DE AVERÍAS

Antes de realizar una solicitud de reparación, compruebe usted mismo el problema. Si encuentra una anomalía, controle la máquina de acuerdo con la descripción de este manual. Nunca manipule ni desmonte ninguna pieza de forma contraria a la descripción. Si es necesario realizar reparaciones, póngase en contacto con un agente de servicio autorizado o un distribuidor local.

Estado anómalo	Causa probable (mal funcionamiento)	Solución
El motor no se enciende	No se ha accionado la bomba de cebado.	Púlsela de 7 a 10 veces.
	Se ha tirado del cable del arrancador a baja velocidad.	Tire con fuerza.
	Falta de combustible.	Reposte combustible.
	Filtro de combustible obstruido.	Límpielo.
	Tubo de combustible desconectado.	Conecte el tubo de combustible correctamente.
	Tubo de combustible doblado.	Enderece el tubo de combustible.
	Combustible deteriorado.	El combustible deteriorado hace que la puesta en marcha sea más difícil. Reemplácelo con combustible nuevo. (Reemplazo recomendado: 1 mes).
	Succión de combustible excesiva.	Ajuste el control de la mariposa de gases entre una velocidad media o alta y tire de la empuñadura de arranque hasta que se ponga en marcha el motor. Cuando se haya puesto en marcha el motor, la cadena de la sierra empezará a girar. Preste toda la atención a la cadena de la sierra. Si el motor sigue sin ponerse en marcha, retire la bujía, seque el electrodo y vuelva a montarla como estaba originalmente. A continuación, arranque según las instrucciones.
	Capuchón de la bujía suelto.	Acóplelo firmemente.
	Bujía sucia.	Límpielo.
	Holgura anómala de la bujía.	Ajústela.
	Otras anomalías de la bujía.	Sustitúyala.
	Anomalía del carburador.	Solicite que se realice la inspección y mantenimiento.
No se puede tirar de la cuerda del arrancador.	Solicite que se realice la inspección y mantenimiento.	
Anomalía del sistema de transmisión.	Solicite que se realice la inspección y mantenimiento.	
El motor se para al poco tiempo La velocidad del motor no aumenta	Calentamiento insuficiente.	Realice la operación de calentamiento.
	La palanca del estrangulador está ajustada en "CERRAR" aunque el motor se ha calentado.	Ajústela en "ABRIR".
	Filtro de combustible obstruido.	Límpielo.
	Filtro de aire sucio u obstruido.	Límpielo.
	Anomalía del carburador.	Solicite que se realice la inspección y mantenimiento.
	Anomalía del sistema de transmisión.	Solicite que se realice la inspección y mantenimiento.
No se suministra aceite de la cadena.	El depósito de aceite está vacío.	Rellene el depósito de aceite con la cadena de aceite.
	El puerto de alimentación de aceite de la cadena está sucio.	Limpie el puerto de alimentación de aceite de la cadena de la unidad y la barra de guía.
	El tornillo de ajuste del nivel de lubricación de la cadena tiene un ajuste incorrecto.	Ajuste el tornillo de ajuste correctamente.
La cadena de la sierra no gira ↓ Pare el motor inmediatamente	La barra de guía está doblada o dañada.	Sustituya la barra de guía.
	Objeto extraño atrapado por la cadena de la sierra.	Elimine el objeto extraño mientras el motor esté detenido.
	Anomalía del sistema de transmisión.	Solicite que se realice la inspección y mantenimiento.
El equipo vibra de forma anómala ↓ Pare el motor inmediatamente	La barra de guía está rota, doblada o gastada.	Sustituya la barra de guía.
	Cadena de la sierra suelta.	Ajuste la tensión de la cadena.
	Anomalía del sistema de transmisión.	Solicite que se realice la inspección y mantenimiento.
La cadena de la sierra no se detiene ↓ Pare el motor inmediatamente	Rotación al ralentí elevada.	Ajuste la velocidad de ralentí.
	Problema del cable de control de la mariposa de gases.	Solicite al centro de servicio que lo sustituya.
	Anomalía del sistema de transmisión.	Solicite que se realice la inspección y mantenimiento.
El motor no se para ↓ Haga funcionar el motor al ralentí y ajuste la palanca de la mariposa de gases en CERRAR	Conector suelto en el interruptor I-O.	Acóplelo firmemente.
	Anomalía del sistema eléctrico.	Solicite que se realice la inspección y mantenimiento.

Cuando el motor no se ponga en marcha tras la operación de calentamiento:

Si no hay ninguna anomalía en los elementos comprobados, abra la mariposa de gases 1/3 y ponga en marcha el motor.

Obrigado por ter adquirido o Podador Telescópico a Gasolina MAKITA. Temos o orgulho de recomendar o Podador Telescópico a Gasolina MAKITA que é o resultado dos nossos muitos anos de conhecimento, experiência e um programa de desenvolvimento detalhado.

Leia esta brochura cuidadosamente que se refere em pormenor aos vários pontos que irão demonstrar o fantástico desempenho. Isto irá ajudá-lo a obter os melhores resultados possíveis do seu Podador Telescópico a Gasolina MAKITA.



## Índice

## Página

Símbolos.....	158
Instruções de segurança .....	159
Dados técnicos.....	165
Designação de peças.....	166
Montagem e ajuste.....	167
Antes de iniciar o funcionamento .....	171
Pontos sobre o funcionamento e como parar.....	173
Funcionamento.....	175
Instruções de serviço.....	175
Armazenamento .....	181

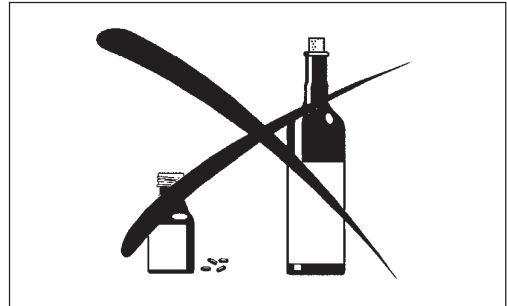
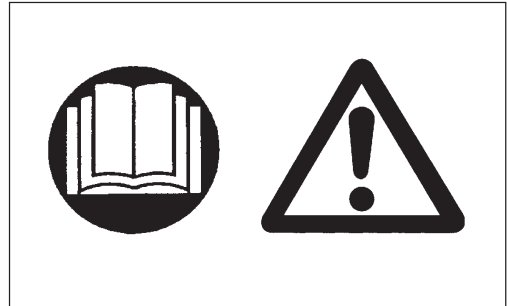
## SÍMBOLOS

Tome atenção aos seguintes símbolos ao ler o manual de instruções.

	Leia o manual de instruções e siga os avisos e as precauções de segurança!		Sem chamas abertas!
	Tenha um cuidado e atenção especiais!		Óleo de corrente.
	Use um capacete e protecção para os olhos e ouvidos.		Mantenha a área de funcionamento livre de pessoas e animais!
	Deve utilizar luvas de protecção!		Combustível (Gasolina)
	Use botas resistentes com solas não derrapantes.		Arranque manual do motor
	Mantenha uma distância mínima de 15 m entre o equipamento e as pessoas e/ou linha eléctrica (incluindo quaisquer ramos em contacto). Risco de choques eléctricos e/ou ferimentos pessoais.		Primeiros-socorros
	Nunca segure o podador a um ângulo superior a 60°.		LIGAR/ARRANCAR
	Velocidade da corrente.		DESLIGAR/PARAR
	Proibido!		Paragem de emergência
	Proibido fumar!		

## Instruções gerais

- Para assegurar um funcionamento correcto, certifique-se de que lê e entende este manual de instruções para saber como se utiliza o equipamento. Utilizar este equipamento sem entender como operá-lo correctamente pode resultar em ferimentos graves em si ou em outros.
- É aconselhável emprestar apenas o equipamento a pessoas com experiência com o mesmo. Entregue sempre o manual de instruções.
- Os utilizadores inexperientes devem solicitar instruções básicas ao concessionário para se familiarizarem com o manuseamento de uma roçadeira a gasolina.
- As crianças e os jovens com menos de 18 anos não podem utilizar o equipamento. No entanto, as pessoas com mais de 16 anos podem utilizar o dispositivo para fins de formação sob a supervisão de um formador qualificado.
- Utilize o equipamento com o máximo de cuidado e atenção.
- Utilize o equipamento apenas se se encontrar em boas condições físicas. Efectue todos os trabalhos com calma e cuidado. O utilizador tem que ser responsável por terceiros.
- Nunca utilize o equipamento após consumir álcool ou drogas ou se se sentir cansado ou doente.
- Nunca tente modificar o equipamento.
- Os regulamentos nacionais podem restringir a utilização do equipamento. Siga as regulamentações sobre o manuseamento de podadores e motosserras no seu país.

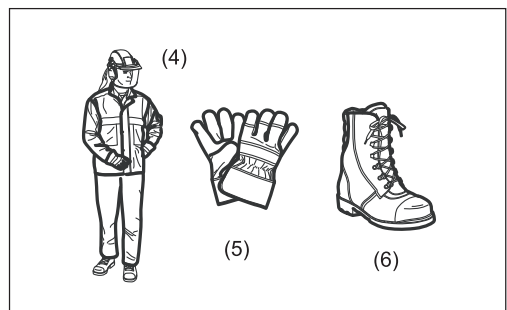
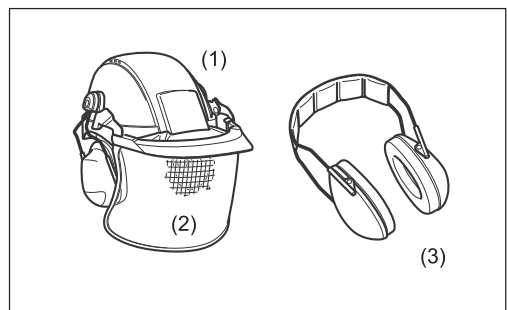


## Utilização pretendida da máquina

Este equipamento destina-se apenas a podar ramos com menos de 15 cm de diâmetro. Nunca utilize o equipamento para outra finalidade. Abusar do equipamento pode causar ferimentos graves.

## Equipamento de protecção pessoal

- Utilize sempre roupas que sejam funcionais e apropriadas ao seu trabalho, isto é, que fiquem justas mas não demasiado apertadas ao ponto de causar um movimento desconfortável. Não utilize joalharia ou roupas que possam ficar presas nos arbustos.
- Para evitar ferimentos na cabeça, olhos, mãos ou pés, assim como para proteger a sua audição, deve utilizar o seguinte equipamento e roupa de protecção durante o funcionamento.
- Utilize um capacete sempre que existir risco de queda de objectos. Deve verificar regularmente se existem danos no capacete protector (1) e deve substituí-lo, no mínimo, após 5 anos. Utilize apenas capacetes protectores aprovados.
- O visor (2) do capacete (ou óculos, em alternativa) protege a face de resíduos e pedras. Durante a utilização, utilize sempre óculos ou um visor para evitar ferimentos oculares.
- Use equipamento de protecção contra ruído adequado para evitar deficiências auditivas (protector auditivo (3), tampões para os ouvidos etc.).
- O fato de macaco (4) protege das pedras e detritos projectados. É altamente aconselhável o utilizador usar fato de macaco.
- As luvas especiais (5) de pele fazem parte do equipamento prescrito e devem ser sempre utilizadas durante a utilização.
- Ao utilizar o equipamento, use sempre calçado robusto (6) com sola anti-derrapante. Isto protege contra ferimentos e garante um bom apoio.
- Ao manusear a corrente da serra ou ao ajustar a tensão da corrente, use luvas de protecção. A corrente da serra pode cortar as mãos nuas com gravidade.



## Segurança na área de trabalho

- **⚠ Perigo:** Mantenha o podador, no mínimo, a 15 m de distância das linhas eléctricas e dos cabos de comunicação (incluindo quaisquer ramos em contacto). Colocar o podador em contacto ou perto de linhas de alta tensão pode resultar em morte ou ferimentos graves. Preste atenção às linhas de alimentação e às cercas eléctricas em torno da área de trabalho antes de iniciar a utilização.
- Utilize o podador em boas condições de visibilidade e apenas durante o dia. Não utilize o podador na escuridão ou em condições de nevoeiro.
- Ligue o motor apenas ao ar livre e numa área bem ventilada. A utilização numa área confinada ou com pouca ventilação pode resultar em morte por asfixia ou envenenamento por monóxido de carbono.
- Durante a utilização, nunca se coloque numa superfície instável ou escorregadia ou numa encosta acentuada. Durante a estação fria, preste atenção ao gelo e neve e garanta sempre um apoio seguro.
- Durante a utilização, mantenha as pessoas ou animais, no mínimo, a 15 m de distância do podador. Desligue o motor assim que alguém se aproximar.
- Antes da utilização, examine a área de trabalho por cercas de arame, paredes ou outros objectos sólidos. Podem danificar a corrente da serra.
- **⚠ AVISO:** A utilização deste produto pode criar pó com químicos que podem causar, entre outros, problemas respiratórios. Alguns exemplos destes químicos são compostos que se encontram em pesticidas, insecticidas, fertilizantes e herbicidas. O risco resultante da exposição a estes químicos varia, dependendo do número de vezes que faz este tipo de trabalho. Para reduzir a exposição a estes químicos: trabalhe numa área bem ventilada e utilizando equipamento de segurança aprovado como, por exemplo máscaras para o pó especialmente concebidas para filtrar partículas microscópicas.

## Colocar em funcionamento

- Antes de montar ou ajustar o equipamento, desligue o motor e retire a tampa da vela de ignição.
- Antes de ligar o motor, inspecione o equipamento para a existência de danos, parafusos/porcas soltos ou montagem incorrecta. Afie a corrente da serra. Se a corrente da serra estiver deformada ou danificada, substitua-a. Verifique as alavancas e interruptores de controlo para uma acção fácil. Limpe e seque as pegas.
- Nunca tente ligar o motor se o equipamento estiver danificado ou se a montagem estiver incompleta. Caso contrário, podem resultar ferimentos graves.
- Ajuste a tensão da corrente. Abasteça o óleo de corrente, se necessário.

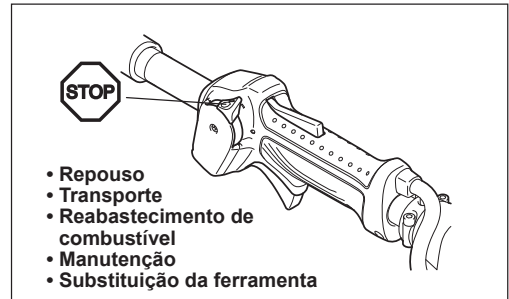
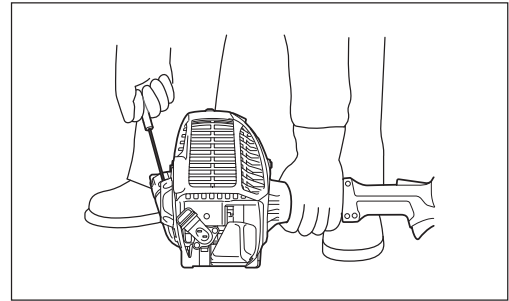
## Ligar o motor

- Certifique-se de que não existem crianças ou outras pessoas, tome também atenção a quaisquer animais que se encontrem na zona de trabalho.
- Use o equipamentos de protecção pessoal antes de ligar o motor.
- Certifique-se de que o implemento está bem instalado, de que a alavanca de controlo funciona bem assim como a alavanca de bloqueio.
- Se a corrente da serra estiver ao ralenti, desligue o motor e reduza a velocidade de ralenti. Em caso de dúvida, solicite o centro de assistência autorizado para efectuar o ajuste. Certifique-se de que as pegas estão limpas e secas e de que o botão de arranque/paragem está a funcionar correctamente.



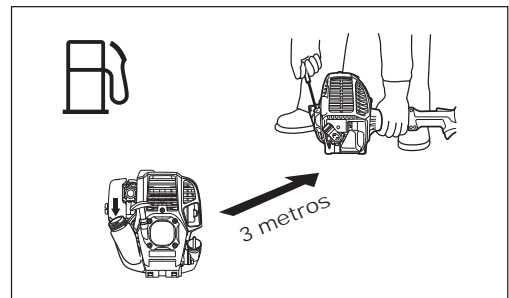
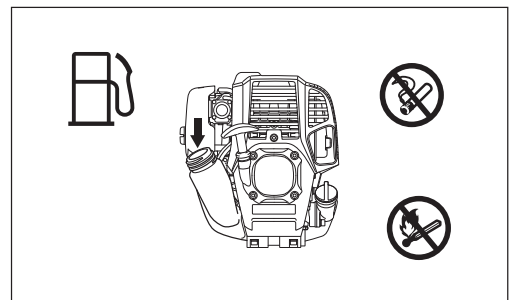
Ligue o motor apenas de acordo com as instruções.

- Não utilize outros métodos para arrancar o motor!
- Coloque o equipamento numa superfície estável. Mantenha-se sempre bem equilibrado e apoiado.
- Ao puxar o manípulo do dispositivo de arranque, segure bem o equipamento contra o solo com a sua mão esquerda. Nunca pise o veio de transmissão.
- Antes de ligar o motor, certifique-se de que não está ninguém na área de trabalho.
- Quando ligar o motor, mantenha a corrente da serra e a barra de guia afastadas do corpo e de outros objectos, incluindo o solo. A corrente da serra pode mover-se aquando do arranque e pode causar ferimentos ou danos graves na corrente da serra e/ou propriedade.
- Desligue o motor imediatamente se ocorrer algum tipo de problema no motor.
- Caso a corrente da serra atinja pedras ou outros objectos duros, desligue imediatamente o motor e inspeccione o equipamento.
- Opere o equipamento apenas com a alça do ombro, o qual deve ser correctamente ajustado antes de colocar o equipamento em funcionamento. A alça do ombro deve estar ajustada ao tamanho do utilizador para evitar fadiga durante o manuseamento do equipamento. Nunca segure a roçadeira com uma mão durante a utilização.
- Com o motor ao ralenti, instale o arnés dos ombros. Durante o funcionamento, mantenha firmemente o equipamento no seu lado direito.
- Todas as instalações de protecção e resguardos fornecidos com esta máquina devem ser usados durante o funcionamento.
- Nunca opere o motor se o silenciador de escape estiver avariado.
- Excepto em caso de emergência, nunca deixe cair nem atire o equipamento ao chão uma vez que isto pode danificá-lo gravemente.



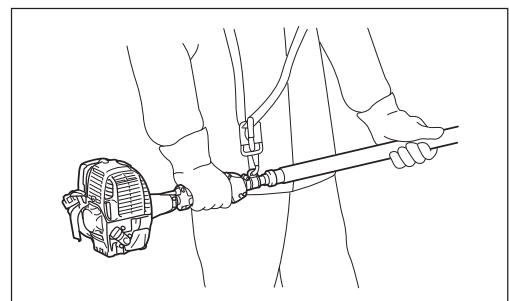
### Reabastecimento de combustível

- Desligue o motor durante o reabastecimento de combustível, mantenha-se longe das chamas abertas e não fume.
- Certifique-se de que produtos de óleo mineral não entram em contacto com a pele. Não inale o vapor do combustível. Use sempre luvas protectoras durante o reabastecimento. Mude e limpe a roupa protectora em intervalos regulares.
- Para evitar contaminação do solo (protecção ambiental), certifique-se de que não derrama combustível ou óleo no chão. Limpe o equipamento imediatamente após o derramamento de combustível.
- Certifique-se de que o combustível não entra em contacto com as roupas. Se o combustível entrar em contacto com as suas roupas, mude essas roupas imediatamente (para evitar um incêndio).
- Inspeccione o tampão do depósito em intervalos regulares para se certificar de que está bem seguro e não pinga.
- Aperte, com cuidado, a tampa do depósito de combustível. Mude de local para arrancar o motor (pelo menos a 3 metros de distância de onde reabasteceu).
- Nunca reabasteça num espaço fechado. Os vapores de combustível acumulam ao nível do solo (risco de explosões).
- Transporte e armazene o combustível apenas em recipientes aprovados. Certifique-se de que o combustível armazenado não é acessível a crianças.



### Método de funcionamento

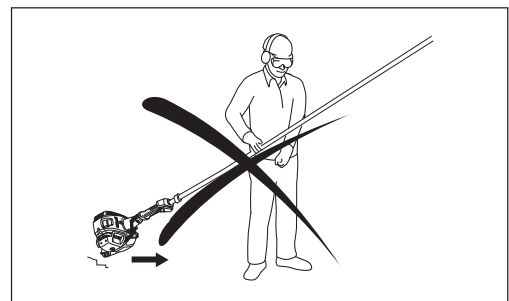
- Em caso de emergência, desligue imediatamente o motor.
- Se sentir qualquer condição anormal (por exemplo, ruído, vibração) durante o funcionamento, desligue o motor. Não utilize o equipamento até a causa ser detectada e resolvida.
- A corrente da serra continua a mover-se durante um curto período de tempo após libertar o gatilho. Não entre em contacto com a corrente da serra.
- Segure a pega dianteira com a mão esquerda e a pega traseira com a mão direita, independentemente de ser canhoto ou destro. Envolve as pegas com os dedos e polegares.
- Nunca tente utilizar o equipamento com uma mão. A perda de controlo pode resultar em ferimentos graves ou fatais. Para reduzir o risco de ferimentos, mantenha as suas mãos e pés afastados das lâminas.
- Não coloque os dedos no interior. Mantenha-se sempre bem equilibrado e apoiado.
- Esteja atento a obstáculos escondidos, como cepos, raízes de árvores e valas para evitar tropeçar. Limpe os ramos caídos e outros objectos do caminho.
- Se o equipamento sofrer um impacto ou queda, verifique o seu estado antes de continuar a trabalhar. Verifique o sistema de combustível por fugas de combustível e os comandos e dispositivos de segurança por avarias. Se existirem danos ou dúvidas, solicite o centro de assistência autorizado Makita para a inspecção e reparação.
- Não toque na caixa de engrenagens. A caixa de engrenagens fica quente durante a utilização.
- Quando abandona o equipamento, mesmo por um curto espaço de tempo, desligue sempre o motor. O equipamento abandonado com o motor em funcionamento pode ser utilizado por pessoas não autorizadas e causar acidentes graves.



- Tenha cuidado com o ambiente. Evite utilizar desnecessariamente o acelerador para reduzir as emissões de poluição e ruído. Afine correctamente o carburador.
- Durante ou após a utilização, não coloque o equipamento quente sobre relva seca ou materiais inflamáveis.
- Não levante a sua mão direita acima da altura dos ombros.
- Durante a utilização, nunca bata com a corrente da serra contra obstáculos duros como pedras ou pregos. Preste especial atenção ao cortar ramos perto de paredes, cercas de arame ou algo semelhante.
- Se os ramos ficarem presos na corrente da serra, desligue sempre o motor e retire a tampa da vela de ignição. Caso contrário, um arranque accidental pode causar ferimentos graves.
- Se a corrente da serra ficar obstruída, desligue sempre o motor e retire a tampa da vela de ignição antes de limpar.
- Acelerar o motor com a corrente da serra bloqueada aumenta a carga e irá danificar o motor e/ou a embraiagem.
- Antes de cortar ramos, mantenha uma área de escape afastada do ramo caído. Primeiro, elimine obstáculos como ramos da área de trabalho. Remova todas as ferramentas e itens da área de escape para outro local seguro.
- Antes de cortar ramos, verifique a direcção de queda, tendo em conta a condição dos ramos, árvores contíguas, direcção do vento, etc. Preste atenção à direcção de queda e ao ressalto do ramo, que atingiu o chão.
- Nunca segure o podador a um ângulo superior a 60°. Caso contrário, os objectos pode atingir o operador e causar ferimentos graves. Nunca se coloque sob o ramo a cortar.
- Preste atenção a ramos quebrados ou dobrados. Pode ressaltar durante o corte, causando ferimentos inesperados.
- Antes de cortar os ramos que pretende, remova os ramos e folhas em redor. Caso contrário, a serra pode ficar presa.
- Para evitar que a serra fique presa no corte, não solte a alavanca de acelerador antes puxar a serra do corte.
- Se a corrente da serra ficar presa no corte, desligue imediatamente o motor, mova cuidadosamente o ramo para abrir o corte e libertar a serra.
- Evite recuos (força reactiva rotacional na direcção do operador). Para impedir recuos, nunca utilize a ponta da barra de guia ou efectue um corte a fundo. Preste sempre atenção à posição da ponta da barra de guia.
- Verifique frequentemente a tensão da corrente. Ao verificar ou ajustar a tensão da corrente, desligue o motor e retire a tampa da vela de ignição. Se a tensão for fraca, aperte a corrente.
- Utilize o equipamento com o mínimo de ruído e contaminação possíveis. Em particular, verifique se o carburador está devidamente instalado.
- Nunca utilize o equipamento em cima de uma escada.
- Nunca trepe árvores para efectuar uma operação de corte.
- Aguarde até a corrente atingir a velocidade máxima de funcionamento antes de efectuar o corte.
- Descanse para evitar a perda de controlo causada pela fadiga. É aconselhável descansar 10 a 20 minutos por cada hora.

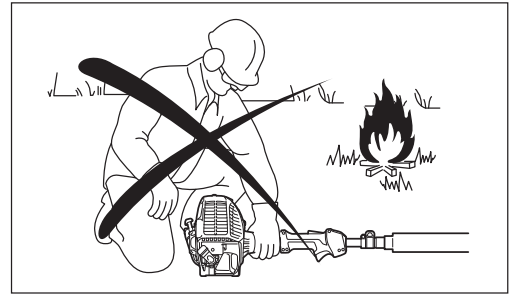
## Transporte

- Antes de transportar o equipamento, desligue o motor e retire a tampa da vela de ignição.
- Instale sempre a tampa da barra de guia durante o transporte.
- Utilize sempre a protecção da ferramenta incluída no equipamento.
- Transporte-a numa posição horizontal segurando o veio. Mantenha o silenciador quente afastado do seu corpo.
- Ao transportar o equipamento num veículo, fixe-o correctamente para evitar uma viragem. Caso contrário, podem resultar derrames de combustível e danos no equipamento e noutras embalagens.
- Desligue o motor durante o transporte.
- Certifique-se de que o depósito de combustível está totalmente vazio.
- Quando descarregar o equipamento, nunca deixe cair o motor no chão, uma vez que tal pode danificar gravemente o depósito de combustível.
- Lembre-se de levantar todo o equipamento do chão ao movê-lo. Arrastar o equipamento no seu depósito de combustível é muito perigoso e pode causar uma fuga de combustível, o que pode resultar num incêndio.



## Instruções de manutenção

- Solicite o nosso centro de assistência autorizado para efectuar a manutenção do equipamento, utilizando sempre peças sobresselentes genuínas. A reparação ou manutenção incorrectas podem encurtar a vida útil do equipamento e aumentar o risco de acidentes.
- Antes de efectuar qualquer manutenção ou trabalho de reparação ou limpeza no equipamento, desligue sempre o motor e retire a tampa da vela de ignição. Aguarde até que o motor arrefeça.
- Para reduzir o risco de incêndios, nunca preste assistência ou armazene o equipamento próximo de chamas.
- Use sempre luvas de protecção ao manusear a corrente da serra.
- Limpe sempre o pó e a sujidade do equipamento. Nunca utilize gasolina, benzina, diluente, álcool ou semelhante para o efeito. Pode resultar na descoloração, deformação ou quebra dos componentes de plástico.
- Após cada utilização, aperte todos os parafusos e porcas, excepto os parafusos de regulação.
- Mantenha a corrente da serra afiada. Se a corrente da serra se tornar arredondada e o desempenho de corte piorar, solicite o centro de assistência autorizado Makita para a afiar ou substituir por uma nova.
- Não tente efectuar operações de manutenção ou reparação não descritas no manual de instruções. Peça ao centro de assistência autorizado Makita para efectuar esses trabalhos.
- Limpe o equipamento em intervalos regulares e certifique-se de que todos os parafusos estão bem apertados.
- Guarde sempre o equipamento em salas fechadas e com um depósito de combustível esvaziado.



## Armazenamento

- Antes de armazenar o equipamento, efectue a limpeza e manutenção completas. Instale a tampa da barra de guia. Retire a tampa da vela de ignição. Purgue o combustível e o óleo de corrente após o motor arrefecer.
- Guarde o equipamento num local seco e elevado ou trancado, fora do alcance das crianças.
- Não encoste o equipamento contra algo, como uma parede. Caso contrário, pode cair repentinamente e causar ferimentos.

Observe as instruções de prevenção de acidentes relevantes emitidas pelas associações comerciais relevantes e companhias de seguros. Não efectue quaisquer modificações no equipamento, pois isto estará a comprometer a sua segurança.

O desempenho do trabalho de manutenção ou reparação pelo utilizador é limitado às actividades descritas no manual de instruções. O resto do trabalho deverá ser efectuado por um centro de assistência autorizado. Utilize apenas partes sobresselentes genuínas e acessórios lançados e fornecidos pela MAKITA.

Utilizar acessórios e ferramentas não aprovados provocará um risco maior de acidentes.

A MAKITA não aceitará qualquer responsabilização por acidentes ou danos provocados pela utilização de implementos não aprovadas e dispositivos de fixação de implementos ou acessórios.

## Primeiros-socorros

Em caso de acidente, certifique-se de que uma caixa de primeiros socorros está disponível nas proximidades das operações de corte. Substitua imediatamente qualquer item retirado da caixa de primeiros socorros.

### Ao pedir ajuda, forneça a seguinte informação:

- Local do acidente
- O que aconteceu?
- Número de pessoas feridas
- Tipo de ferimentos
- O seu nome



## Vibração

- As pessoas com má circulação que sejam expostas a vibrações excessivas podem sofrer ferimentos nos vasos sanguíneos ou no sistema nervoso. As vibrações podem causar os seguintes sintomas nos dedos, mãos ou pulsos: "Adormecimento" (falta de sensação), formigamento, dor, sensação de picadas, alteração da cor da pele ou da própria pele. Se ocorrer qualquer um destes sintomas, consulte um médico!
- Para reduzir o risco de "doença de Raynaud", mantenha as mãos quentes durante o funcionamento e segure bem o equipamento e os acessórios.

---

## DECLARAÇÃO DE CONFORMIDADE CE

**Nós, a Makita Corporation, como fabricante responsável, declaramos que a(s) máquina(s) Makita seguinte(s):**

Designação da máquina: Podador Telescópico a Gasolina

N.º de modelo/Tipo: EY2650H

Especificações: consulte a tabela "DADOS TÉCNICOS"

são de produção em série e

**Está em conformidade com as directivas europeias seguintes:**

2006/42/EC

E são fabricadas de acordo com as normas e documentos padronizados seguintes:

EN/ISO11680

A documentação técnica é mantida por:

Makita International Europe Ltd., Technical Department,  
Michigan Drive, Tongwell, Milton Keynes, Bucks MK15 8JD, Inglaterra

O N.º do certificado de exame tipo EC como um podador é:

4813008.13001

O exame tipo EC de acordo com a 2006/42/EC foi efectuado por:

DEKRA Testing and Certification GmbH Enderstraße 92b 01277 Dresden, Alemanha

N.º de identificação 2140

31. 10. 2013



Tomoyasu Kato  
Director

Makita Corporation  
3-11-8, Sumiyoshi-cho,  
Anjo, Aichi, 446-8502, JAPAN

---

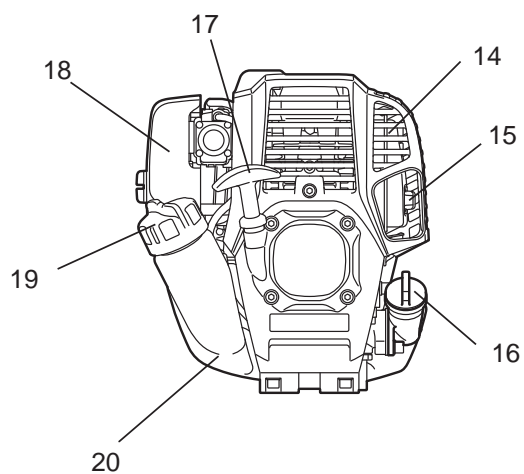
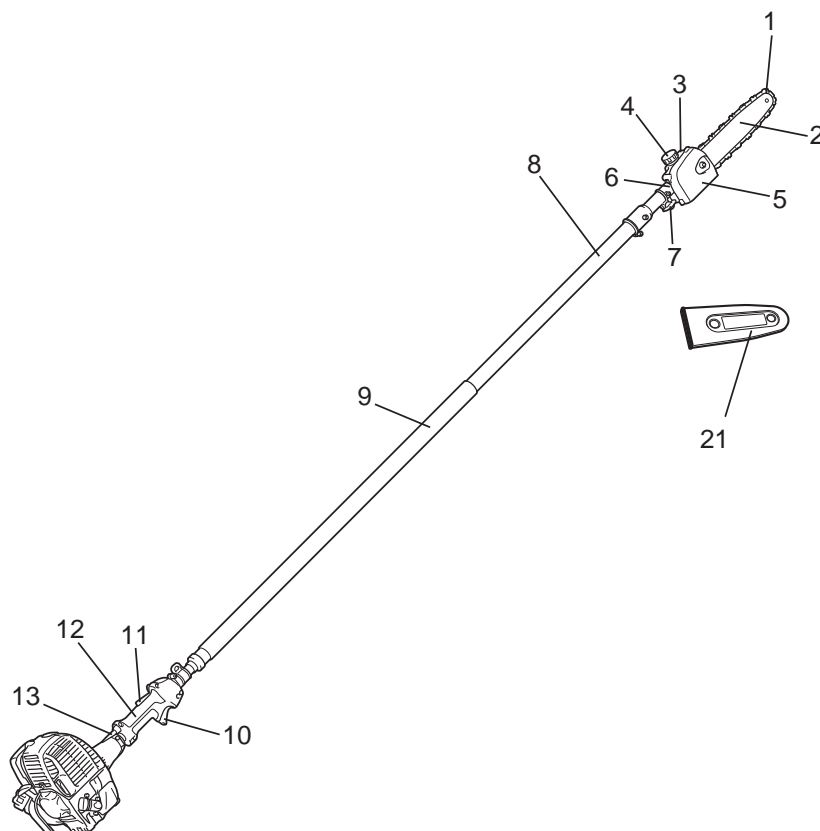
## DADOS TÉCNICOS

Modelo		EY2650H		
Dimensões: C x L x A	mm	2.720-3.920 x 223 x 240		
Peso	kg	7,2		
Volume do depósito de combustível	cm <sup>3</sup>	600		
Depósito do depósito de óleo da corrente	cm <sup>3</sup>	120		
Deslocamento do motor	cm <sup>3</sup>	25,4		
Velocidade máx. da corrente	m/s	21,0		
Desempenho máximo do motor		0,77 kW a 7.000 min <sup>-1</sup>		
Velocidade do motor a velocidade de rotação máxima recomendada	min <sup>-1</sup>	10.000		
Velocidade em marcha lenta	min <sup>-1</sup>	3.000		
Velocidade da embraiagem	min <sup>-1</sup>	4.400		
Carburador		Tipo diafragma		
Vela de ignição	Tipo	NGK CMR4A		
Separação de electrodos	mm	0,7 - 0,8		
Combustível		Gasolina		
Óleo do motor		Óleo de classe SF ou superior com classificação API ou 10W-30 SAE (óleo para motor a 4 tempos)		
Comprimento de corte	mm	255		
Comprimento da barra de guia	mm (polegadas)	255 (10")		
Corrente da serra		91VXL-39E		
Passo da corrente	polegada	3/8"		
Medidor da corrente	mm (polegadas)	1,3 (0,05")		
Número de rodas dentadas		7		
Óleo de corrente		Óleo de corrente genuíno da Makita		
Bomba de óleo de corrente		Bomba de êmbolo (Tipo auto-lubrificante)		
Vibração por ISO 22867	Pega direita (pega traseira)	a <sub>h<sub>v</sub> eq</sub> (Veio na posição mais curta)	m/s <sup>2</sup>	5,3
		a <sub>h<sub>v</sub> eq</sub> (Veio na posição mais longa)	m/s <sup>2</sup>	6,1
		Incerteza K	m/s <sup>2</sup>	2,0
	Pega esquerda (pega dianteira)	a <sub>h<sub>v</sub> eq</sub> (Veio na posição mais curta)	m/s <sup>2</sup>	7,2
		a <sub>h<sub>v</sub> eq</sub> (Veio na posição mais longa)	m/s <sup>2</sup>	8,6
		Incerteza K	m/s <sup>2</sup>	2,0
Nível de pressão sonora de acordo com ISO 22868	L <sub>PA eq</sub>	dBA	89,5	
	Incerteza K	dBA	2,5	
Nível de potência sonora de acordo com ISO 22868	L <sub>WA eq</sub>	dBA	107,3	
	Incerteza K	dBA	2,5	

- Devido à pesquisa e desenvolvimento constantes, estas especificações estão sujeitas a alteração sem aviso prévio.
- Estas especificações podem diferir de país para país.

## DESIGNAÇÃO DE PEÇAS

EY2650H



P	DESIGNAÇÃO DE PEÇAS
1	Corrente da serra
2	Barra de guia
3	Depósito de óleo
4	Tampa do depósito de óleo
5	Suporte de barra
6	Caixa de engrenagens
7	Manípulo
8	Veio telescópico
9	Pega dianteira
10	Alavanca do acelerador
11	Alavanca de bloqueio
12	Pega traseira
13	Cabo de controlo
14	Silenciador de escape
15	Tubo de escape
16	Tampão do óleo
17	Manípulo do dispositivo de arranque
18	Filtro de ar
19	Tampa do depósito de combustível
20	Depósito de combustível
21	Tampa da barra de guia

## MONTAGEM E AJUSTE

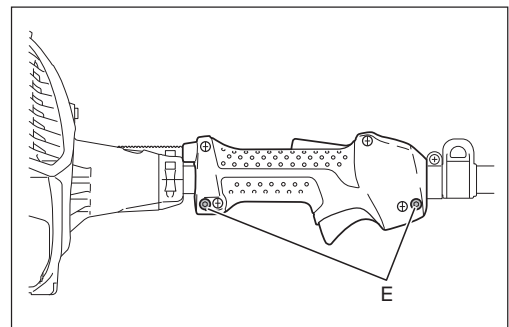
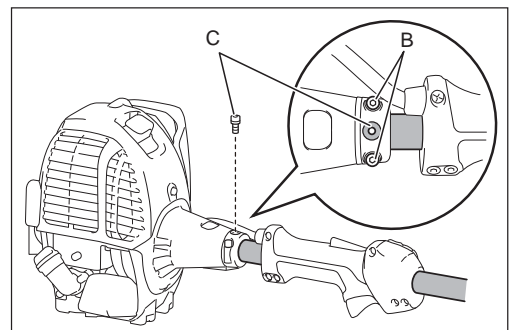
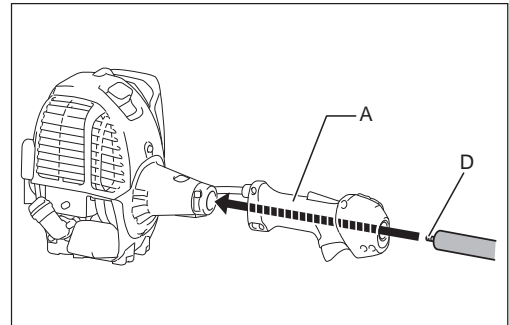
### AVISO:

- Antes de montar, ajustar ou verificar, desligue o motor e retire a tampa da vela de ignição.
- Use sempre luvas de protecção ao manusear a corrente da serra.
- Aguarde até a corrente da serra arrefecer antes de montar, ajustar ou verificar. A corrente da serra fica muito quente durante o funcionamento e pode causar queimadura.

### Montar veio e caixa da embraiagem

Monte o veio com a pega traseira e a unidade do motor da seguinte forma:

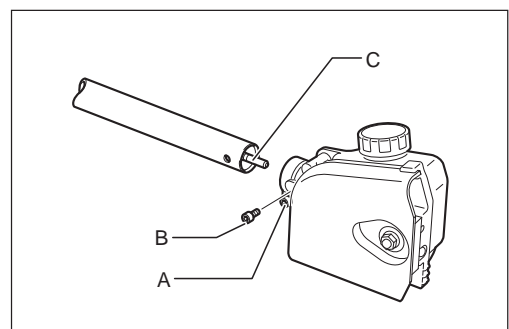
1. Introduza o veio através da pega traseira (A).
2. Desaperte os dois parafusos de aperto (B) e retire o parafuso de centragem (C) na caixa da embraiagem.
3. Introduza o veio na caixa da embraiagem. Se for difícil introduzir por completo, rode um pouco a lingueta (D).
4. Alinhe o orifício no veio com o orifício no parafuso de centragem.
5. Aperte o parafuso de centragem.
6. Aperte uniformemente os dois parafusos de aperto.
7. Ajuste a posição da pega traseira, de seguida, aperte-a com dois parafusos (E).



### Montar veio e caixa de engrenagens

Monte o veio com a caixa de engrenagens da seguinte forma:

1. Desaperte o parafuso (A). E retire o parafuso (B).
2. Introduza o veio na caixa de engrenagens. Se for difícil introduzi-lo por completo, rode um pouco a lingueta (C).
3. Alinhe o orifício no veio com o orifício do parafuso (B).
4. Primeiro, desaperte o parafuso (B) e, de seguida, aperte o parafuso (A).



## Montar a corrente da serra e a barra de guia

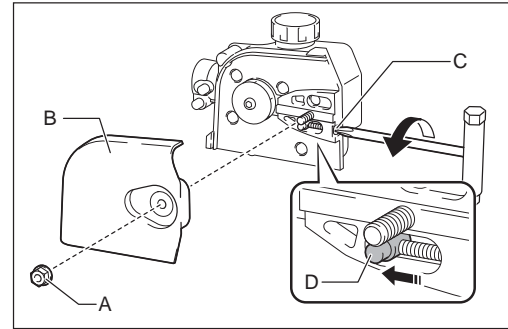
**PRECAUÇÃO:** Certifique-se de que a corrente da serra, a barra de guia e a roda dentada correspondem em calibre e passo.

Monte a corrente da serra e a barra de guia da seguinte forma.

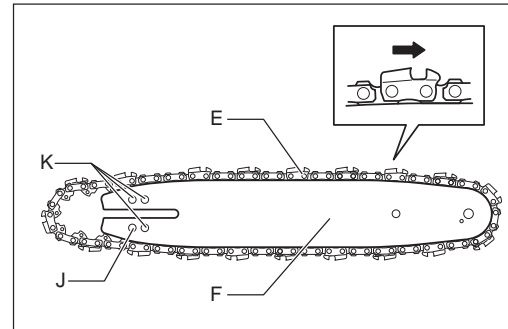
1. Desaperte a porca (A) e retire o suporte de barra (B).
2. Rode o parafuso de tensão (C) no sentido contrário aos ponteiros do relógio até que a porca tensora (D) toque na extremidade esquerda.

### AVISO:

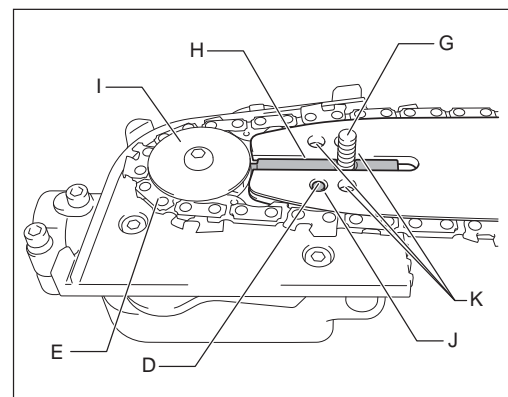
- Não rode o parafuso de tensão no sentido contrário aos ponteiros do relógio em demasia, caso contrário o parafuso de tensão e a porca tensora saem do alojamento.



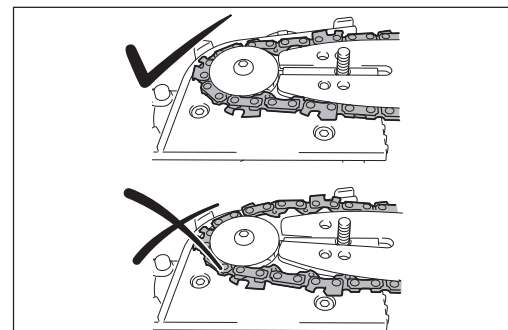
3. Instale a corrente da serra (E) na ranhura da barra de guia (F). Comece na ponta da barra.



4. Alinhe o parafuso de posição (G) com o entalhe da barra de guia (H), e instale a corrente da serra (E) na roda dentada (I). Certifique-se de que a corrente da serra continua instalada na barra de guia durante o procedimento.
5. Instale a barra de guia (F) de modo a que a porca tensora (D) encaixe no orifício (J) na barra de guia. Os orifícios (K) não são utilizados.



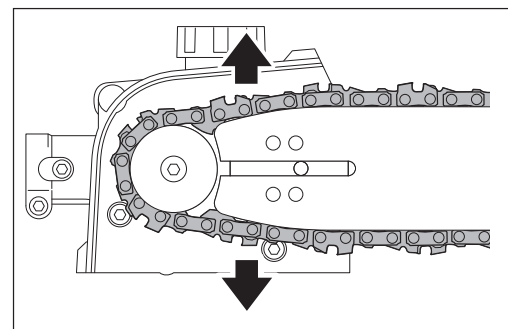
6. Coloque correctamente a corrente da serra na ranhura da barra de guia. Caso a corrente da serra não esteja correctamente colocada na ranhura da barra de guia, ajuste e instale devidamente.
7. Instale o suporte de barra (B) e aperte bem a porca (A). De seguida, desaperte a porca em meia volta como uma provisão do ajuste da tensão da corrente.
8. Ajuste a tensão da corrente. Consulte a secção "Ajustar a tensão da corrente."



### PRECAUÇÃO:

- Mantenha a tensão da corrente aplicável. Uma tensão fraca pode fazer com que a corrente da serra saia do lugar.

Para remover a corrente da serra e a barra de guia, primeiro rode o parafuso de tensão (C) no sentido contrário aos ponteiros do relógio. Puxe a corrente da serra para fora para permitir que a corrente da serra saia da ranhura da barra de guia, e retire-as do alojamento.





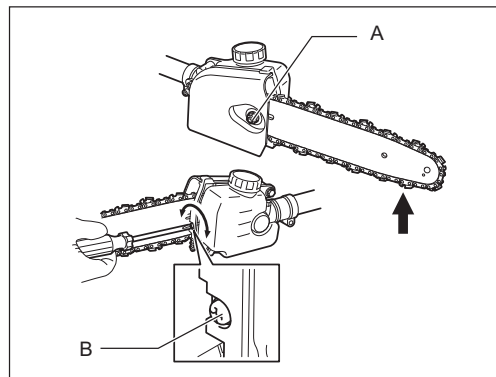
## Ajustar a tensão da corrente

### PRECAUÇÃO:

- Mantenha a tensão da aplicável da corrente. Uma tensão fraca pode fazer com que a corrente da serra saia durante o funcionamento. Uma tensão demasiado elevada pode danificar a corrente da serra ou a barra de guia.
- Durante a utilização, verifique frequentemente a tensão da corrente. A corrente da serra estica e fica solta durante o funcionamento. Quando utilizar uma corrente de serra nova, ajuste a tensão mais frequentemente.

Ajuste a tensão da corrente da seguinte forma.

1. Desaperte a porca **(A)** em meia volta.
2. Segure a ponta da barra para cima. Rode o parafuso de regulação **(B)** para a direita até a corrente da serra encaixar de forma justa na parte inferior da barra de guia.
3. Agarre a corrente no meio da barra guia e levante. A folga entre a barra de guia e a correia da corrente da serra deve ser aproximadamente 3 - 4 mm. Caso contrário, rode o parafuso de regulação ligeiramente para a esquerda e efectue novamente o passo 2.
4. Aperte bem a porca **(A)**.
5. Se necessário, aperte bem o parafuso de regulação para evitar que caia.



## Abastecer o depósito de óleo de corrente

A corrente da serra tem de ser lubrificada com óleo de corrente durante a utilização.

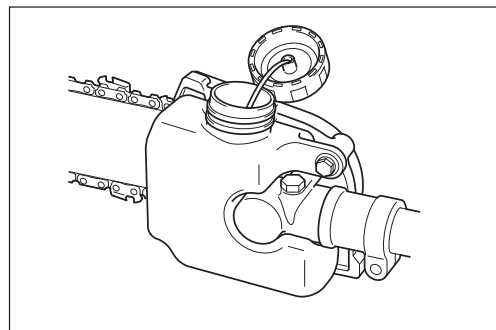
Antes da utilização, abasteça o depósito de óleo de corrente. Após abastecer com óleo, aperte bem o tampão do depósito de óleo.

Utilize apenas óleo de corrente genuíno da Makita.

### AVISO:

- Nunca utilize óleo residual. Pode danificar a bomba de óleo.
- Evite ambientes poeirentos ao abastecer o óleo da corrente. O pó e outros materiais estranhos podem danificar o sistema de alimentação de óleo.

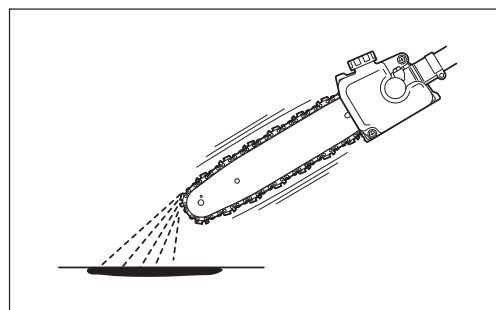
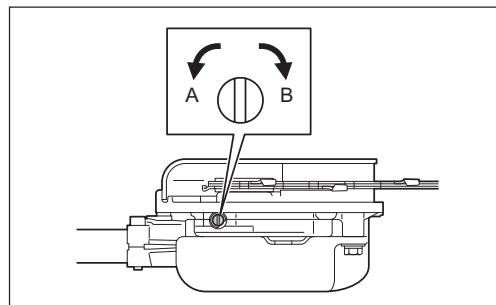
Durante a utilização, preste sempre atenção ao nível de óleo. Abasteça o depósito se o nível de óleo for baixo. O depósito fica vazio em, aproximadamente, 40 minutos de utilização (dependendo da definição da lubrificação da corrente).



## Ajustar a dosagem de óleo de corrente

A dosagem de óleo de corrente é ajustável em três passos. De acordo com a utilização, por exemplo, ao cortar ramos duros, ajuste a dosagem.

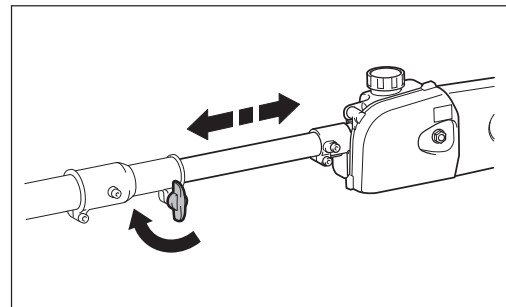
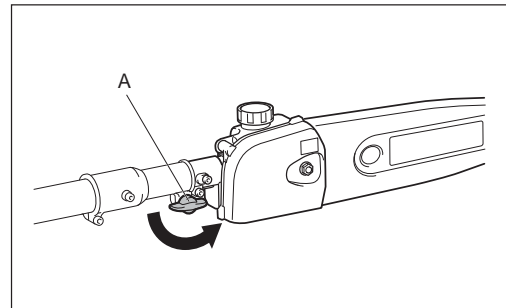
Para ajustar a dosagem de óleo de corrente, utilize uma chave de fendas chata. Pressione o parafuso de regulação e rode-o. Para aumentar a dosagem, rode o parafuso de regulação no sentido contrário aos ponteiros do relógio **(A)**. Para reduzir a dosagem, rode no sentido dos ponteiros do relógio **(B)**. Após ajustar a dosagem de óleo de corrente, verifique a dosagem ao utilizar o equipamento a uma velocidade média.



## Ajustar o comprimento do podador

Ajuste o comprimento do podador da seguinte forma:

1. Rode o manípulo **(A)** no sentido contrário aos ponteiros do relógio.
2. Ajuste o comprimento do podador.
3. Rode o manípulo no sentido dos ponteiros do relógio para apertar a cabeça das engrenagens.



## Alça de ombro

### Ajustar a alça de ombro

Ajuste a correia ao comprimento adequado para a sua operação.

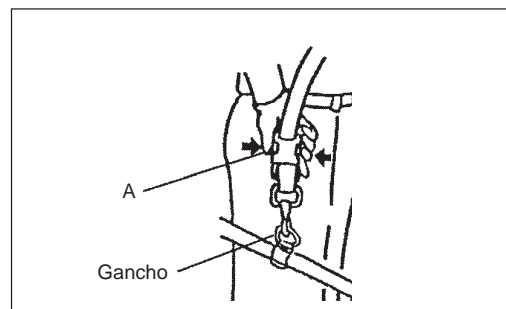
### Separação

Em caso de emergência, empurre os entalhes **(A)** em ambos os lados e separe o equipamento.

Certifique-se de que mantém o controlo do equipamento nesta altura. Não permita que o equipamento seja desviado em direcção a si ou a alguém próximo de si.

**AVISO:** Se não conseguir manter o controlo total do equipamento, poderá sofrer ferimentos graves ou MORRER.

Nota: Em alguns países, a alça de ombro não possui esta função de separação.



## Inspeção e reabastecimento óleo do motor

- Execute o procedimento seguinte, com o motor arrefecido.
- Defina o nível do motor, retire o tampão de óleo (Fig. 1) e verifique se existe ou não óleo no intervalo entre as marcas de limite superior e inferior do tubo de óleo (Fig. 2).
- Abasteça com óleo até à marca do limite superior se o óleo for insuficiente (o nível de óleo está próximo da marca do limite inferior) (Fig. 3).
- A área em redor das marcas externas é transparente, por isso, a quantidade de óleo no interior pode ser verificada sem ter de retirar o tampão de óleo. No entanto, se o tubo de óleo ficar extremamente sujo, pode perder a visibilidade e terá de verificar o nível de óleo na secção escalonada no interior do tubo de óleo.
- Para referência, o tempo de reabastecimento de óleo é cerca de 10h (a cada 10 abastecimentos).  
Se o óleo mudar de cor ou misturar-se com sujidade, substitua por um óleo novo. (Para o intervalo e método de substituição, consulte P 176)

**Óleo recomendado:** Óleo 10W-30 SAE de classificação API, Classe SF ou superior (motor a 4 tempos para automóvel)

**Volume de óleo:** Aprox. 0,08L

Nota: Se o motor não for mantido na vertical, o óleo pode entrar para o motor e pode ser excessivamente abastecido.  
Se abastecer óleo além do limite, este pode ser contaminado ou pode incendiar com fumo branco.

### Ponto 1 sobre a Substituição do óleo: “Tampão de óleo”

- Retire qualquer sujidade perto da entrada de abastecimento do óleo e desencaixe o tampão de óleo.
- Mantenha o tampão de óleo limpo. Caso contrário, qualquer sujidade que adira ao tampão de óleo pode causar uma circulação de óleo irregular ou desgaste nas peças do motor, que irá resultar em problemas.

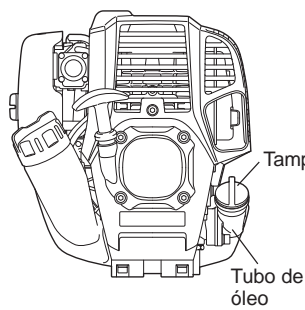


Fig. 1

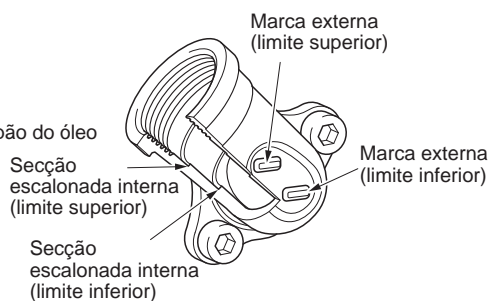


Fig. 2 Tubo de óleo

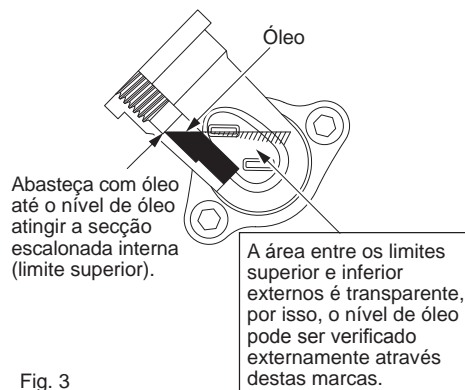
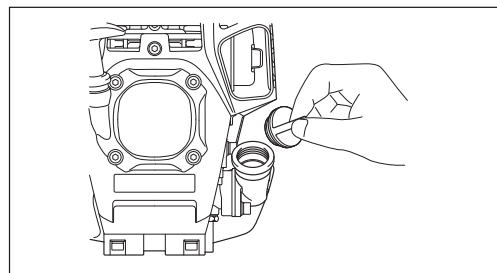
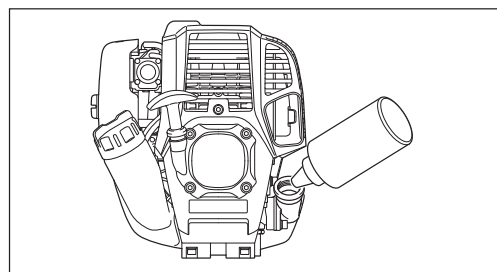


Fig. 3

- (1) Mantenha o motor nivelado e desencaixe o tampão de óleo.



- (2) Abasteça com óleo até à marca do limite superior. (consulte Fig. 3)  
Utilize a garrafa de óleo ao abastecer.



- (3) Aperte bem o tampão de óleo. Um aperto insuficiente pode causar fugas de óleo.

### Nota

- Não substitua o óleo com o motor numa posição inclinada.
- Abastecer com óleo enquanto o motor está inclinado resulta no abastecimento excessivo que causa contaminação de óleo e/ou fumo branco.

### Ponto 2 sobre a Substituição do óleo: “Em caso de derrames de óleo”

- Em caso de derrames de óleo entre o depósito de combustível e a unidade principal do motor, o óleo é aspirado pela porta de entrada do ar de refrigeração, que irá contaminar o motor. Certifique-se de que limpa o óleo derramado antes de iniciar o funcionamento.

## REABASTECIMENTO DE COMBUSTÍVEL

### Lidar com o combustível

É necessário muito cuidado ao lidar com o combustível. O combustível pode conter substâncias semelhantes a solventes. O reabastecimento tem de ser executado numa sala bem ventilada ou no exterior. Não inale vapores do combustível e evite qualquer contacto de combustível ou óleo com a sua pele. O contacto prolongado da sua pele com o combustível fará com que a sua pele fique extremamente seca, o que pode resultar em doenças de pele ou alergia. Se entrar combustível nos seus olhos, lave-os imediatamente com água limpa. Se os seus olhos ainda estiverem irritados, consulte imediatamente um médico.

Não efectue o reabastecimento num local escuro ou numa superfície instável.

### Período de abastecimento de combustível

O combustível deve ser utilizado num período de 4 semanas, mesmo se for mantido num recipiente especial num local bem ventilado. Se não for utilizado um recipiente especial ou se o recipiente não estiver coberto, o combustível pode deteriorar no espaço de um dia.

### ARMAZENAMENTO DA MÁQUINA E DEPÓSITO DE ABASTECIMENTO

- Mantenha a máquina e o depósito num local fresco sem luz solar directa.
- Nunca guarde o combustível na cabine ou mala.

### Combustível

O motor é um motor a quatro tempos. Certifique-se de utilize gasolina (gasolina normal ou gasolina premium).

### Observações sobre o combustível

- Nunca utilize uma mistura de gasolina com óleo do motor. Caso contrário, causa uma acumulação excessiva de carbono ou problemas mecânicos.
- A utilização de óleo deteriorado irá causar um arranque irregular.

### Reabastecimento de combustível

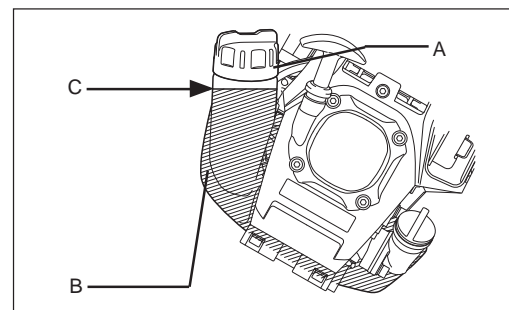
#### AVISO: INFLAMÁVEIS ESTRITAMENTE PROIBIDOS

**PRECAUÇÃO:** Não se esqueça de fechar a tampa do depósito de combustível após reabastecer. Nunca ligue o motor com a tampa do depósito de combustível aberta.

**Gasolina usada:** Gasolina (gasolina sem chumbo)

1. Desaperte um pouco a tampa do depósito de combustível (**A**) para evitar derrames de combustível.
2. Retire a tampa do depósito de combustível. E incline o motor para que a porta de reabastecimento esteja virada para cima.
3. Reabasteça cuidadosamente ao descarregar o ar do depósito de combustível (**B**). (Não reabasteça acima do limite superior de combustível (**C**.)
4. Limpe rigorosamente a área em torno da tampa do depósito de combustível para evitar que entre sujidade no depósito de combustível.
5. Após o reabastecimento, aperte bem a tampa do depósito de combustível.

- Se a tampa do depósito tiver falhas ou danos, substitua-a.
- O tampão do depósito desgasta-se ao longo do tempo. Substitua-o a cada dois a três anos.



## PONTOS SOBRE O FUNCIONAMENTO E COMO PARAR

### PRECAUÇÃO:

Leia os regulamentos sobre prevenção de acidentes aplicáveis!

### ATENÇÃO:

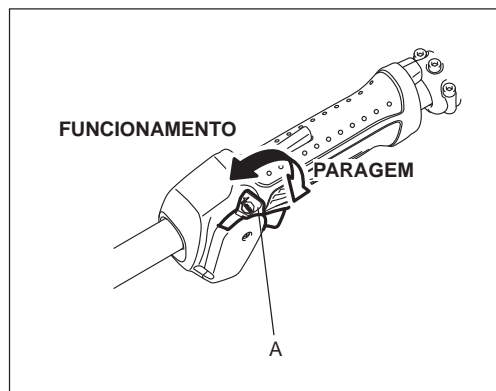
Remova a tampa da barra de guia antes de ligar o motor.

### INÍCIO

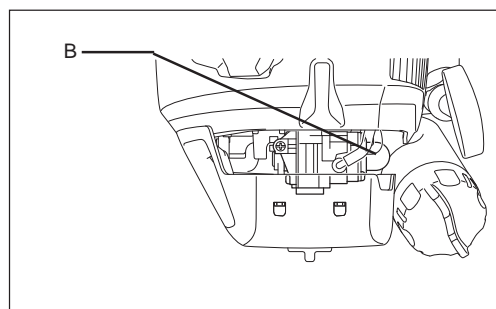
Desloque no mínimo 3 m longe do local de abastecimento. Coloque o equipamento num pedaço limpo do chão certificando-se de que o implemento não entra em contacto com o chão ou com quaisquer outros objectos.

#### A: Arranque a frio

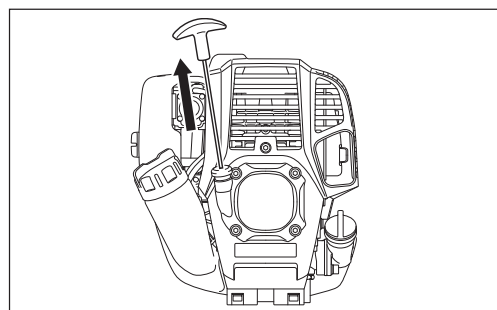
- 1) Monte esta máquina num espaço plano.
- 2) Regule o botão I-O (**A**) para FUNCIONAMENTO.



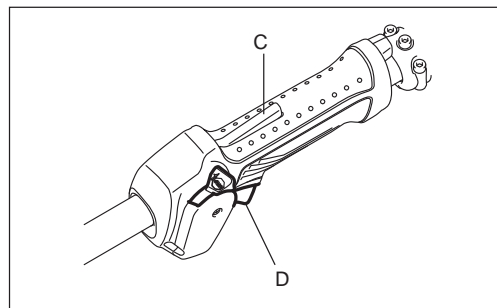
- 3) Bomba de descarga  
Continue a empurrar a bomba de descarga (**B**) até o combustível entrar na bomba de descarga.  
(Normalmente, o combustível entra na bomba de descarga após 7 a 10 empurrões.)  
Se a bomba de descarga for empurrada em demasia, um excesso de gasolina regressa ao depósito de combustível.



- 4) Fio de arranque  
Puxe o manípulo do dispositivo de arranque suavemente até ficar difícil de puxar (ponto de compressão). De seguida, alivie o manípulo do dispositivo de arranque e puxe com força.  
Nunca puxe a corda ao máximo. Assim que o manípulo do dispositivo de arranque for puxado, nunca solte a mão imediatamente. Segure o manípulo do dispositivo de arranque até este voltar ao ponto de origem.



- 5) A pega possui uma alavanca de bloqueio (**C**) para evitar um arranque acidental. Para premir a alavanca do acelerador (**D**), agarre a pega para soltar o bloqueio (o botão de bloqueio é pressionado através de pressão manual).



- 6) Operação de aquecimento  
Continue a operação de aquecimento durante 2 a 3 minutos.

Nota: Em caso de entrada excessiva de combustível, remova a vela de ignição e puxe a pega de arranque lentamente para remover o combustível em excesso. Também deverá limpar a secção dos eléctrodos da vela de ignição.

### Precauções durante o funcionamento:

Se a alavanca do acelerador estiver totalmente aberta em funcionamento em vácuo, a rotação do motor aumenta para 10.000 min<sup>-1</sup> ou mais. Nunca opere o motor a uma velocidade mais alta do que a necessária e a uma velocidade aproximada de 6.000 - 8.500 min<sup>-1</sup>.

### B: Arranque após operação de aquecimento

- 1) Empurre a bomba de descarga repetidamente.
- 2) Mantenha a alavanca do acelerador na posição de marcha lenta.
- 3) Puxe o fio de arranque com força.
- 4) Se for difícil arrancar o motor, abra o regulador de velocidade cerca de 1/3. Preste atenção ao implemento que pode rodar.

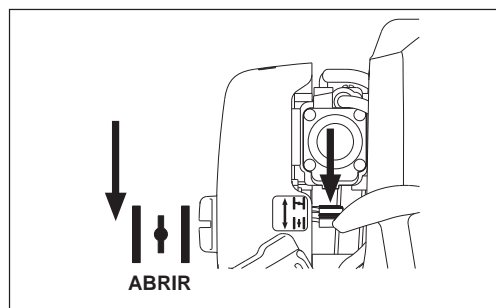
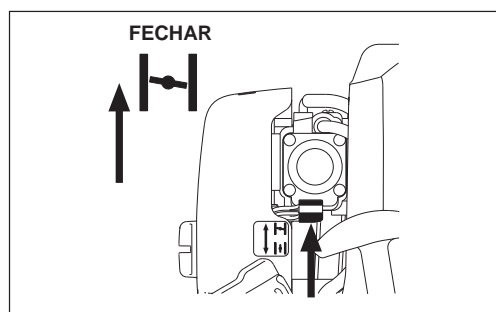
Em certos períodos, como o Inverno, quando é difícil ligar o motor

Utilize a alavanca do afogador com o procedimento seguinte ao ligar o motor.

- Após implementar os passos de arranque 1) a 3), coloque a alavanca do afogador na posição FECHAR.
- Implemente o passo de arranque 4) e ligue o motor.
- Assim que o motor arrancar, coloque a alavanca do afogador na posição ABRIR.
- Implemente o passo de arranque 5) e conclua o aquecimento.

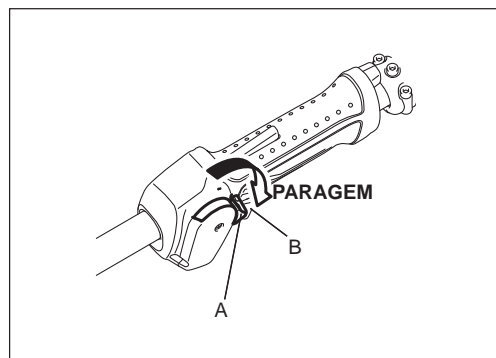
**PRECAUÇÃO:** Se ouvir um estouro (som explosivo) e o motor parar ou se o motor acabado de ligar parar antes de utilizar a alavanca do afogador, coloque a alavanca do afogador na posição ABRIR e puxe o manípulo do dispositivo de arranque algumas vezes para ligar o motor.

**PRECAUÇÃO:** Se a alavanca do afogador permanecer na posição FECHAR e se simplesmente puxar várias vezes o manípulo do dispositivo de arranque, será aspirado demasiado combustível e o motor terá dificuldades ao ligar.



### PARAR

- 1) Solte totalmente a alavanca do acelerador (**B**) e quando as rpm do motor tiverem baixado, regule o botão I-O (**A**) para STOP, o motor irá parar.
- 2) Note que o implemento poderá não parar imediatamente e deixe sempre que ela abraque e pare completamente por si própria.

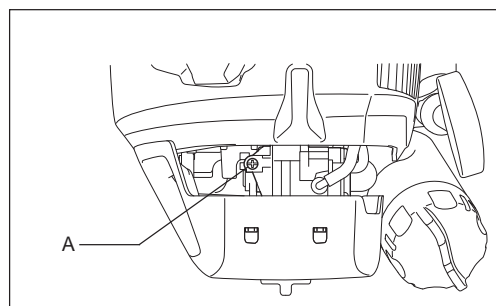


### AJUSTE DE ROTAÇÃO DE BAIXA VELOCIDADE (MARCHA LENTA)

Quando é necessário ajustar a rotação de baixa velocidade (marcha lenta), efectue através do parafuso de regulação do carburador (**A**).

### VERIFICAÇÃO DA ROTAÇÃO DE BAIXA VELOCIDADE

- Defina a rotação de baixa velocidade para 3.000 min<sup>-1</sup>. Se for necessário alterar a velocidade de rotação, regule o parafuso de regulação, com uma chave Phillips.
- Rode o parafuso de regulação para a direita e a rotação do motor irá aumentar. Rode o parafuso de regulação para a esquerda e a rotação do motor irá diminuir.
- Normalmente, o carburador é ajustado antes do envio. Se for necessário reajustar, contacte o centro de assistência autorizado.



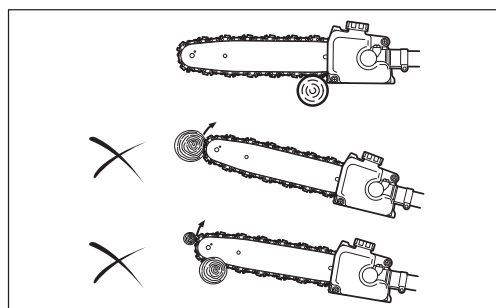
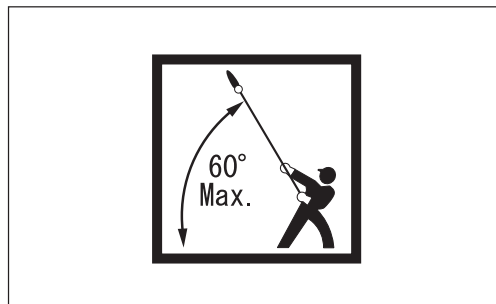
## FUNCIONAMENTO

### Posição vertical

- Coloque-se numa superfície estável. Coloque o podador a 60° em relação ao solo.
- Corte primeiro os ramos inferiores para que caiam mais facilmente.
- Tenha sempre um percurso de fuga caso um ramo cortado caia na direcção do operador.

### Método

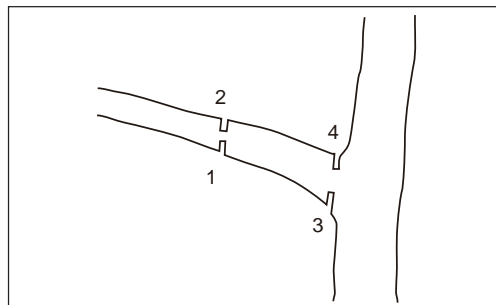
- Ligue o motor e prima o acelerador até a corrente da serra atingir a velocidade máxima.
- Pressione ligeiramente a corrente da serra contra o ramo. Não force o equipamento, caso contrário, pode danificá-lo.
- Nunca utilize a ponta da barra para cortar. Caso contrário, podem ocorrer recuos perigosos e resultar em ferimentos pessoais.



### Sugestões para cortar ramos grossos

Ao cortar um ramo grosso, utilize o método seguinte.

1. Faça um pequeno entalhe no lado inferior do ramo a uma curta distância de onde pretende cortar.
2. Corte o ramo a partir do lado superior do entalhe.
3. Faça outro pequeno entalhe no lado inferior do ramo onde pretende cortar.
4. Corte onde pretende a partir do lado superior.



## INSTRUÇÕES DE SERVIÇO

**PRECAUÇÃO:** Antes de efectuar qualquer trabalho no equipamento, desligue sempre o motor e retire a tampa da vela de ignição (ver "verificar a vela de ignição").

Use sempre luvas de protecção!

Ao inspeccionar ou efectuar a manutenção do equipamento, coloque-o sempre no chão. Montar ou ajustar o equipamento numa posição vertical pode resultar em ferimentos graves.

Coloque sempre a tampa da barra de guia ao efectuar a assistência.

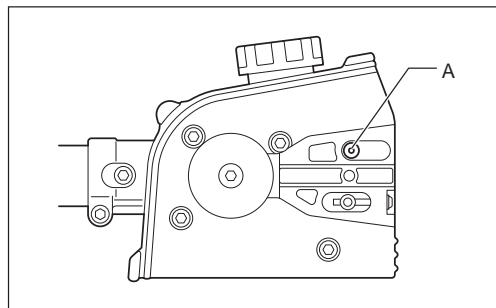
Para garantir um longo tempo de funcionamento e para evitar quaisquer danos no equipamento, as seguintes operações de serviço devem ser executadas em intervalos regulares.

### Inspeção e manutenção diárias

- Antes do funcionamento, verifique se existem parafusos soltos na máquina ou se faltam peças. Preste especial atenção a um implemento especificado para uma instalação segura.
- Antes do funcionamento, inspeccione sempre por entupimento da passagem do ar de arrefecimento e das alhetas de cilindro. Se necessário, limpe-as.
- Efectue o trabalho diário seguinte após a utilização:
  - Limpe o equipamento externamente e inspeccione por danos.
  - Limpe o filtro de ar. Ao trabalhar em condições de muito pó, limpe o filtro várias vezes por dia.
  - Certifique-se de que existe uma diferença suficiente entre a marcha lenta e a velocidade de engrenagem para garantir que o implemento se encontra parado enquanto o motor está em marcha lenta (se necessário, reduza a marcha lenta). Se em condições de marcha lenta a ferramenta continuar a rodar, consulte o o Agente de Serviço Autorizado.
- Verifique o funcionamento do botão I-O, a alavanca de bloqueio e a alavanca de controlo.

## Limpar a porta de entrada de óleo de corrente

Limpe a porta de entrada de óleo de corrente (A) diariamente. Para aceder à porta, retire o suporte de barra e a barra de guia.



## Limpar e inspeccionar a barra de guia

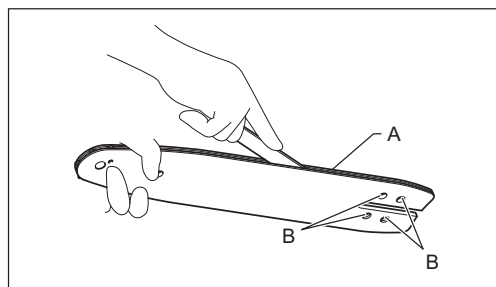
Limpe a barra de guia diariamente. Retire pó de serra da ranhura (A) e da porta de entrada de óleo de corrente (B).

Para evitar desgaste num só lado da barra de guia, vire-a sempre que substituir ou afiar a corrente da serra.

Se a ranhura estiver gasta, dobrada, fissurada ou deformada, substitua a barra de guia.

## Inspeccionar a corrente da serra.

Quando sentir que a corrente da serra está gasta, deformada, fissurada ou que precisa de fazer mais força para cortar, substitua-a ou peça a um centro de assistência autorizado Makita para a afiar.



## Lubrificar as peças móveis

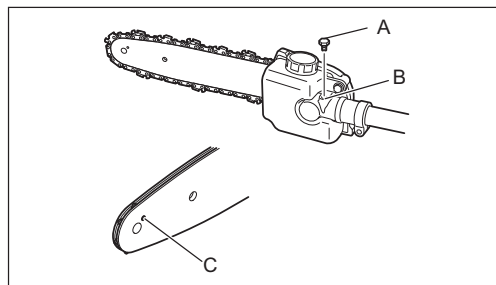
**ATENÇÃO:** Siga as instruções de frequência e quantidade de massa lubrificante fornecida. Caso contrário, uma lubrificação insuficiente pode danificar as peças móveis.

Caixa de engrenagens:

Remova o tampão de lubrificação (A) e abasteça massa lubrificante baseada em lítio através do orifício de lubrificação (B) a cada 25 horas de funcionamento.

Ponta da barra de guia:

Aplique massa lubrificante (Shell Alvania N.º 2 ou equivalente) a partir do orifício de lubrificação (C) a cada 10 horas de utilização.



## SUBSTITUIÇÃO DO ÓLEO DO MOTOR

Um óleo do motor deteriorado irá encurtar muito a vida útil das peças deslizantes e rotativas. Certifique-se de que verifica o período e quantidade de substituição.



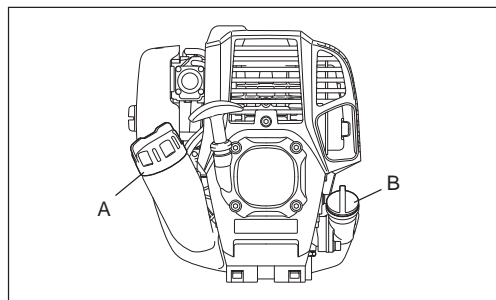
**ATENÇÃO:** Normalmente, a unidade principal do motor e o óleo do motor ainda permanecem quentes logo após a paragem do motor. Aquando da substituição do óleo, confirme que a unidade principal do motor e o óleo do motor estão suficientemente arrefecidos. Caso contrário, pode existir um risco de queimadura.

**Nota:** Se o óleo estiver acima do limite, pode estar contaminado ou pode incendiar-se com fumo branco.

**Intervalo de substituição:** Inicialmente, após 20 horas de funcionamento e posteriormente a cada 50 horas de funcionamento  
**Óleo recomendado:** Óleo 10W-30 SAE de classificação API, Classe SF ou superior (motor a 4 tempos para automóvel)

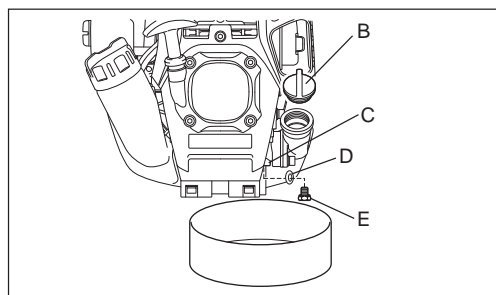
Aquando da substituição, execute o procedimento seguinte.

- 1) Confirme que a tampa do depósito de combustível (A) está bem apertada.
- 2) Coloque um recipiente grande sob o orifício de purga (C).



- 3) Retire o parafuso de purga (E) e, de seguida, retire o tampão de óleo (B) para drenar óleo do orifício de purga. A este ponto, certifique-se de que não perde a junta do parafuso de purga (D) e de que não suja os componentes removidos.
- 4) Quando todo o óleo tiver sido drenado, combine a junta e o parafuso de drenagem e aperte bem o parafuso de drenagem, de forma a que não fique solto nem cause fugas.

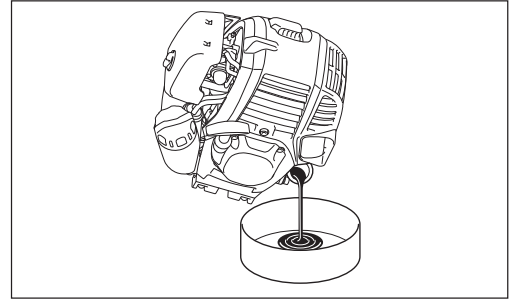
\* Utilize um pano para limpar qualquer óleo no parafuso e equipamento.



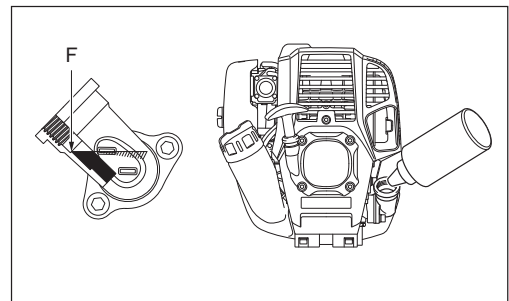
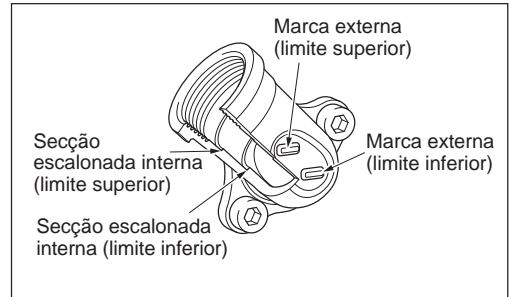


### Método de purga alternativo

Retire o tampão de óleo, incline o equipamento na direcção do orifício de enchimento de óleo e purgue o óleo.  
Recolha o óleo num recipiente.



- 5) Defina o nível do motor e abasteça gradualmente até à marca do limite superior (**F**) com óleo novo.
- 6) Após abastecer, aperte bem o tampão de óleo, para que não desaperte e cause fugas.  
Se o tampão de óleo não estiver bem apertado, podem resultar fugas.



### PONTOS SOBRE O ÓLEO

- Nunca elimine o óleo do motor substituído no lixo, terra ou sarjeta. A eliminação do óleo está regulada por lei. Aquando da eliminação, siga sempre as respectivas leis e regulações. Para quaisquer pontos que permaneçam desconhecidos, contacte o Agente de Serviço Autorizado.
- O óleo irá deteriorar mesmo quando não é utilizado. Execute a inspeção e a substituição a intervalos regulares (substitua por óleo novo a cada 6 meses).

## LIMPEZA DO FILTRO DE AR



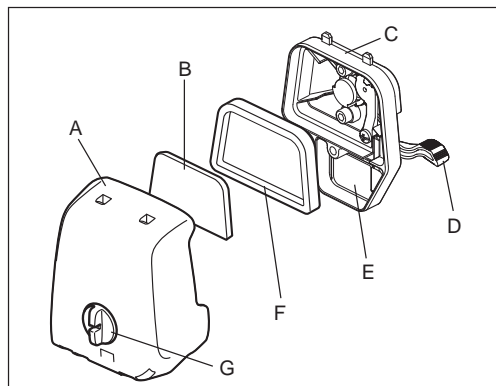
**PERIGO: INFLAMÁVEIS ESTRITAMENTE PROIBIDOS**

**Intervalo de limpeza e inspecção: Diariamente (a cada 10 horas de funcionamento)**

- Rode a alavanca do afogador (**D**) para o lado totalmente fechado e mantenha o carburador longe de qualquer pó ou sujidade.
- Desaperte o parafuso de fixação (**G**).
- Retire a tampa do filtro de ar (**A**) ao puxar pelo seu lado inferior.
- Remova os elementos (**B**) (**F**) e sacuda-os para remover a sujidade.
- Se os elementos estiverem muito contaminados:  
Remova os elementos, mergulhe-os em água quente ou em detergente neutro diluído em água e seque-os por completo. Não os esprema nem os esfregue ao lavar.
- Antes de instalar os elementos, certifique-se de que os seca por completo. Uma secagem incompleta dos elementos pode provocar um arranque difícil.
- Limpe o óleo em torno da tampa do filtro de ar e do respiro (**E**) com desperdícios.
- Instale o elemento (esponja) (**B**) no elemento (feltro) (**F**).  
Instale os elementos na chapa (**C**) de modo a que a esponja fique virada para a tampa do filtro de ar.
- Instale imediatamente a tampa do filtro e aperte-a com parafusos de fixação. (Aquando da montagem, coloque primeiro a garra superior e depois a garra inferior.)

### ATENÇÃO:

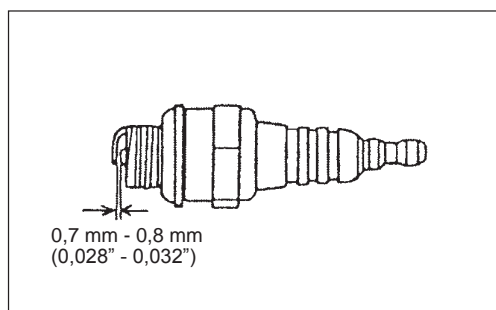
- Limpe os elementos várias vezes ao dia, em caso de excesso de pó. Os elementos sujos reduzem a potência do motor e tornam difícil o arranque do motor.
- Remova o óleo dos elementos. Se o funcionamento continuar com os elementos ainda com óleo, o óleo no filtro de ar pode transbordar resultando na contaminação do ambiente.
- Não coloque os elementos no solo ou num local sujo. Caso contrário, captam sujidade e resíduos e podem danificar o motor.
- Nunca utilize combustível para limpar os elementos. O combustível pode danificá-los.



## VERIFICAR A VELA DE IGNIÇÃO

- Utilize apenas a chave universal fornecida para remover ou instalar a vela de ignição.
- O espaço entre os dois eléctrodos da vela de ignição deverá estar a 0,7 – 0,8 mm. Se o espaço for demasiado largo ou estreito, ajuste-o. Se a vela de ignição estiver entupida ou contaminada, limpe-a rigorosamente ou substitua-a.

**PRECAUÇÃO:** Nunca toque no conector da vela de ignição enquanto o motor estiver a trabalhar (perigo de choque eléctrico de alta tensão).



## LIMPEZA DO FILTRO DE COMBUSTÍVEL

### AVISO: INFLAMÁVEIS ESTRITAMENTE PROIBIDOS

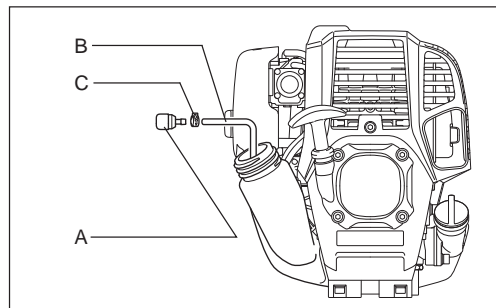
Intervalo de limpeza e inspecção: Mensalmente (a cada 50 horas de funcionamento)

#### Cabeça de sucção no depósito de combustível

Verifique periodicamente o filtro de combustível (A). Para verificar o filtro de combustível, siga os passos abaixo:

- (1) Retire a tampa do depósito de combustível, purgue o combustível para esvaziar o depósito. Verifique o interior do depósito por quaisquer materiais estranhos. Caso existam, remova-os.
- (2) Retire a cabeça de sucção ao utilizar um gancho de arame através da abertura do depósito.
- (3) Se o filtro de combustível estiver ligeiramente entupido, limpe-o. Para limpá-lo, abane-o ligeiramente e mergulhe-o em combustível. Para evitar danos, não o esprema nem o esfregue. O combustível utilizado para a limpeza tem de ser eliminado de acordo com o método especificado pelas regulamentações no seu país.  
Se o filtro de combustível ficar rígido ou altamente entupido, substitua-o.
- (4) Após verificar, limpar ou substituir, introduza o filtro de combustível no tubo de combustível (B) e fixe-o através do grampo do tubo flexível (C). Empurre o filtro de combustível ao máximo para a parte inferior do depósito de combustível.

Um filtro de combustível entupido ou danificado pode causar um fornecimento insuficiente de combustível e reduzir a potência do motor. Substitua o filtro de combustível, no mínimo, a cada três meses para garantir um fornecimento adequado de combustível para o carburador.



## SUBSTITUIÇÃO DO TUBO DE COMBUSTÍVEL

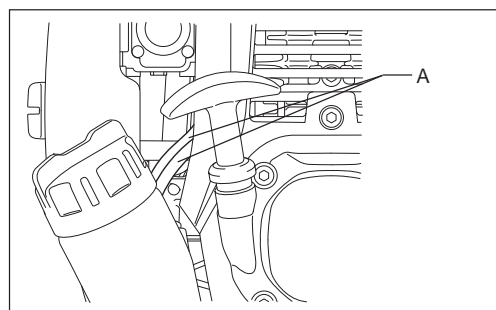
### PRECAUÇÃO: INFLAMÁVEIS ESTRITAMENTE PROIBIDOS

Intervalo de limpeza e inspecção: Diariamente (a cada 10 horas de funcionamento)

Substituição: Anualmente (a cada 200 horas de funcionamento)

Substitua o tubo de combustível (A) todos os anos, independentemente da frequência de funcionamento. As fugas de combustível podem provocar um incêndio.

Se detectar alguma fuga durante a inspecção, substitua o tubo de combustível imediatamente.



## INSPECÇÃO DE PARAFUSOS E PORCAS

- Reaperte parafusos e porcas desapertados, etc.
- Inspeccione por fugas de combustível e óleo.
- Substitua as peças danificadas por peças novas para um funcionamento seguro.

## LIMPEZA DAS PEÇAS

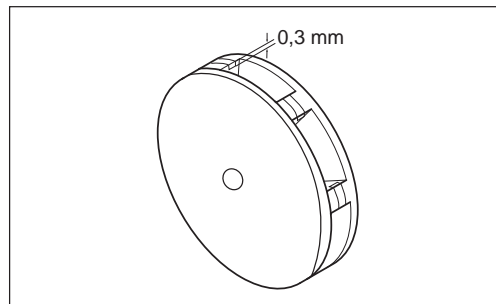
- Mantenha sempre o motor limpo.
- Mantenha as alhetas do cilindro limpas. O pó ou sujidade que adira às alhetas irá causar falha do êmbolo.

## SUBSTITUIÇÃO DAS JUNTAS E EMPANQUES

Aquando da montagem após o motor estar desmontado, certifique-se de que substitui as juntas e os empanques por uns novos. Qualquer manutenção de ajuste que não esteja incluído e descrito neste manual deve ser efectuada apenas pelos Agentes de Serviço Autorizados.

## INSPECCIONAR A RODA DENTADA

Verifique a roda dentada por desgaste a cada 50 horas de utilização. Substitua se as marcas de desgaste forem de 0,3 mm ou mais fundas.



## Afiar a corrente

### Afie a corrente quando:

- É produzido serrim afarinhado quando é cortada madeira húmida;
- A corrente penetra na madeira com dificuldade, mesmo quando é aplicada bastante pressão;
- A extremidade de corte está obviamente danificada;
- A serra puxa para a esquerda ou direita da madeira. A razão para este comportamento é uma afiação desigual da corrente, ou danos em apenas um lado.

### Afie com frequência a corrente, mas remova pouco material de cada vez.

Duas ou três passagens com uma lima são normalmente suficientes para as afiações de rotina. Quando a corrente da serra tiver sido afiada várias vezes, mande-a afiar num centro de assistência autorizado MAKITA.

### Crítérios de afiação:

- O comprimento de todos os cortadores (**A**) tem de ser igual. Os cortadores com comprimentos diferentes evitam que a corrente funcione com suavidade e poderá fazer quebrar a corrente.
- A espessura de corte é determinada pela distância entre o medidor de profundidade (ponta redonda) e a extremidade de corte (**B**).
- Os melhores resultados de corte são obtidos com a distância seguinte entre a extremidade de corte e o medidor de profundidade.

Lâmina da corrente 91VXL: 0,64 mm



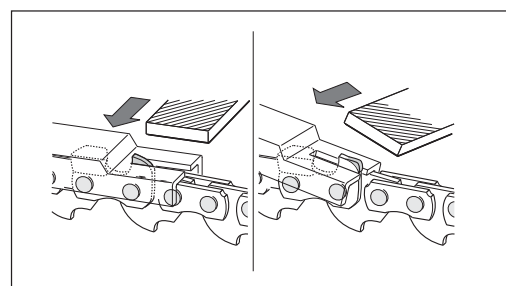
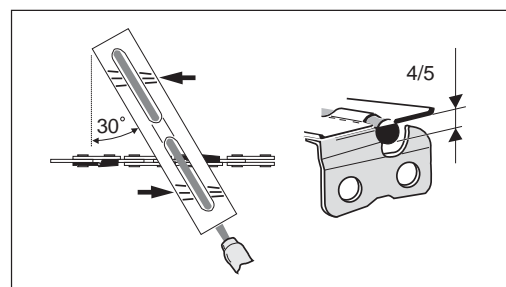
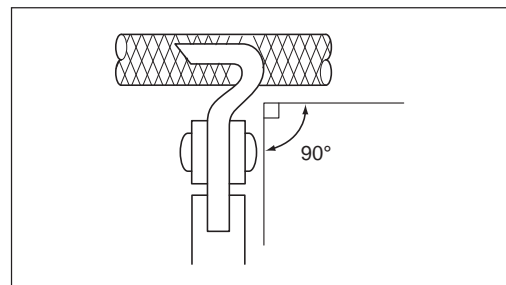
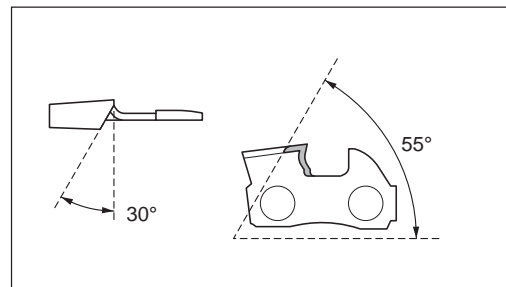
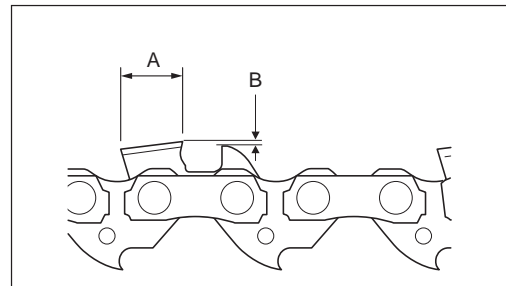
**AVISO:** Uma distância excessiva aumenta o risco de recuo.

- O ângulo de afiação de 30° deve ser o mesmo em todos os cortadores. As diferenças em ângulo fazem com que a corrente funcione de forma irregular, aumenta o desgaste e pode fazer quebrar a corrente.
- O ângulo da chapa lateral do cortador é determinado pela profundidade da penetração da lima redonda. Se a lima especificada for utilizada correctamente, o ângulo da chapa lateral correcto é produzido automaticamente.
- O ângulo adequado para cada corrente de serra é o seguinte:

Lâmina da corrente 91VXL: 55°

### Lima e orientação de lima

- Use uma lima redonda especial (acessório opcional) para correntes de serra para afiar a corrente. As limas redondas normais não são adequadas.
- O diâmetro da lima redonda para cada corrente de serra é o seguinte:  
Lâmina da corrente 91VXL: 4,0 mm
- A lima apenas deve entrar em contacto com o cortador na passagem para a frente. Levante a lima do cortador na passagem de regresso.
- Afie primeiro o cortador mais curto. De seguida, o comprimento do cortador mais curto torna-se a referência para todos os cortadores na corrente de serra.
- Oriente a lima, conforme mostrado.
- A lima pode ser orientada mais facilmente se for utilizada um suporte para limas (acessório opcional). O suporte para limas possui marcas para a afiação correcta a um ângulo de 30° (alinhe as marcas em paralelo com a corrente) e limita a profundidade de penetração (até 4/5 do diâmetro da lima).
- Após afiar a corrente, verifique a altura do medidor de profundidade utilizando a ferramenta de medição da corrente (acessório opcional).
- Retire qualquer material de projecção, mesmo que pequeno, com uma lima especial plana (acessório opcional).
- Arredonde novamente a parte dianteira do medidor de profundidade.



## ARMAZENAMENTO



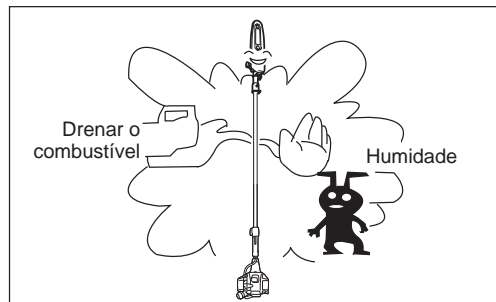
**AVISO: Ao drenar o combustível, certifique-se de que desliga o motor e certifique-se de que o motor arrefece. O motor ainda está quente após desligar o motor. Aguarde até arrefecer, caso contrário, pode causar queimaduras ou incêndios.**

Quando a máquina não é utilizada durante muito tempo, efectue o seguinte:

- Purgue o combustível do depósito de combustível e carburador de acordo com o procedimento seguinte:

- 1) Retire a tampa do depósito de combustível e purgue o combustível por completo. Se restar algumas substâncias estranhas no depósito de combustível, retire-as por completo.
- 2) Retire o filtro de combustível da entrada de abastecimento utilizando um fio.
- 3) Empurre a bomba de descarga até purgar combustível e purgue o combustível que entra no depósito de combustível.
- 4) Coloque novamente o filtro no depósito de combustível e aperte bem a tampa do depósito de combustível.
- 5) De seguida, continue a operar o motor até parar.

- Drene o óleo da corrente.
- Retire a corrente da serra e a barra de guia.
- Limpe a ranhura da guia da barra de guia.
- Lubrifique ligeiramente a corrente da serra e a barra de guia.
- Retire a vela de ignição e goteje várias gotas de óleo do motor pelo orifício da vela de ignição.
- Puxe suavemente a pega de arranque para que o óleo do motor se espalhe pelo motor e encaixe a vela de ignição.
- No geral, armazene a máquina na posição horizontal. Se não for possível, coloque a máquina de modo a que o motor fique abaixo da ferramenta de corte. Caso contrário, pode ocorrer uma fuga de óleo do motor.
- Tenha sempre o cuidado de armazenar a máquina num local seguro para evitar danos na mesma e ferimentos pessoais.
- Guarde o combustível purgado num recipiente especial num local bem ventilado.



### Atenção após armazenamento de longa duração

- Antes do arranque após armazenamento de longa duração, certifique-se de que substituiu o óleo do motor (consulte "SUBSTITUIÇÃO DO ÓLEO DO MOTOR"). O óleo irá deteriorar enquanto a máquina não é utilizada.

### Identificação de falhas

Avaria	Sistema	Observação	Causa
O motor não arranca ou arranca com dificuldade	Sistema de ignição	Ignição por vela O.K.  Sem ignição por vela	Avaria no fornecimento de combustível ou sistema de compressão, defeito mecânico  Funcionamento através do botão STOP, avaria na cablagem ou curto-circuito, vela de ignição ou conector defeituoso, módulo de ignição avariado
	Fornecimento de combustível	Depósito de combustível enchido	Posição do afogador incorrecta, carburador defeituoso, linha de fornecimento do combustível dobrada ou bloqueada, combustível sujo
	Compressão	Sem compressão quando parada	Junta inferior do cilindro defeituosa, vedantes da cambota danificados, anéis do pistão ou do cilindro defeituosos ou vedação imprópria da vela de ignição
	Avaria mecânica	Dispositivo de arranque não engrenado	Mola do dispositivo de arranque partida, peças partidas dentro do motor
Problemas no arranque a quente O motor arranca mas morre	Fornecimento de combustível	Depósito cheio vela de ignição existente	Carburador contaminado, limpe-o
		Depósito cheio	Ajuste da marcha lente incorrecto, carburador contaminado  Ventilação do depósito de combustível defeituosa, linha de fornecimento de combustível interrompida, cabo ou botão STOP avariado
Desempenho insuficiente	Vários sistemas podem estar afectados em simultâneo	Marcha lenta do motor fraca	Filtro de ar contaminado, carburador contaminado, silenciador entupido, conduta de escape no cilindro entupida

Item	Tempo de funcionamento	Antes do funcionamento	Após lubrificação	Diária (10h)	25h	50h	200h	Paragem/repouso
Unidade inteira	Inspeccione visualmente	○						
Óleo do motor	Inspeccione	○						
	Substitua					○*1		
Peças de aperto (parafuso, porca)	Inspeccione	○						
Depósito de combustível	Inspeccione	○						
	Drenar o combustível							○*3
Controlo do acelerador	Verifique função	○	○					
Interruptor de paragem	Verifique função	○	○					
Velocidade a marcha lenta	Inspeccione/ajuste			○				
Filtro de ar	Limpe			○				
Vela de ignição	Inspeccione			○				
Conduto de ar de arrefecimento	Limpe/inspeccione			○				
Tubo de combustível	Inspeccione			○				
	Substitua						⊗*2	
Filtro de combustível	Limpe/substitua					○		
Folga da válvula (válvula de admissão e válvula de escape)	Inspeccione/ajuste						⊗*2	
Revisão do motor							⊗*2	
Carburador	Drenar o combustível							○*3
Porta de entrada de óleo de corrente	Limpe			○				
Barra de guia	Limpe a ranhura e a porta de entrada de óleo de corrente			○				
	Inspeccione			○				
	Fornecimento de massa lubrificante			○				
Caixa de engrenagens	Fornecimento de massa lubrificante				○			
Roda dentada	Inspeccione					○		
Corrente da serra	Substitua ou solicite uma afiação							○*4

\*1 Execute a substituição inicial após uma utilização de 20 horas.

\*2 Para a inspeção das 200 horas de utilização, solicite um centro de assistência autorizado.

\*3 Após esvaziar o depósito de combustível, deixe o motor em funcionamento e purgue o combustível no carburador.

\*4 Se necessário.

## RESOLUÇÃO DE PROBLEMAS

Antes de efectuar um pedido para reparações, verifique você mesmo o problema. Se encontrar uma anomalia, controle a máquina de acordo com a descrição neste manual. Nunca altere nem desmonte qualquer peça contrária à descrição. Para reparações, contacte o Agente de Serviço Autorizado ou concessionário local.

Estado de anomalia	Causa provável (avaria)	Solução	
O motor não arranca	Falha ao operar a bomba de descarga.	Empurre 7 a 10 vezes.	
	Velocidade de puxo baixa da corda de arranque.	Puxe com força.	
	Falta de combustível.	Forneça combustível.	
	Filtro de combustível obstruído.	Limpe-o.	
	Tubo de combustível desligado.	Ligue adequadamente o tubo de combustível.	
	Tubo de combustível dobrado.	Endireite o tubo de combustível.	
	Combustível deteriorado.	O combustível deteriorado torna o arranque mais difícil. Substitua por combustível novo. (Substituição recomendada: 1 mês).	
	Aspiração excessiva de combustível.	Regule o controlo do acelerador para velocidade média ou alta e puxe a pega de arranque até o motor arrancar. Assim que o motor arrancar, a corrente da serra começa a rodar. Preste muita atenção à corrente da serra. Se mesmo assim o motor não arrancar, retire a vela de ignição, seque o eléctrodo e monte-os da forma original. De seguida, ligue como especificado.	
	Tampa da vela desencaixada.	Encaixe bem.	
	Vela de ignição contaminada.	Limpe-a.	
	Folga anómala da vela de ignição.	Ajuste a folga.	
	Outra anomalia da vela de ignição.	Substitua-a.	
	Carburador anómalo.	Peça uma inspecção e manutenção.	
	A corda de arranque não pode ser puxada.	Peça uma inspecção e manutenção.	
Sistema de accionamento anómalo.	Peça uma inspecção e manutenção.		
O motor pára rapidamente A velocidade do motor não aumenta	Aquecimento insuficiente.	Execute a operação de aquecimento.	
	A alavanca do afogador está regulada para "FECHAR" apesar do motor estar quente.	Regule para "ABRIR".	
	Filtro de combustível obstruído.	Limpe-o.	
	Filtro de ar contaminado ou obstruído.	Limpe-o.	
	Carburador anómalo.	Peça uma inspecção e manutenção.	
Sistema de accionamento anómalo.	Peça uma inspecção e manutenção.		
O óleo de corrente não é fornecido.	O depósito de óleo está vazio.	Abasteça o depósito de óleo com óleo de corrente.	
	A porta de entrada de óleo de corrente está suja.	Limpe a porta de entrada de óleo de corrente na unidade e na barra de guia.	
	O parafuso de regulação da dosagem de óleo de corrente não está bem afinado.	Afine correctamente o parafuso de regulação.	
A corrente da serra não roda	A barra de guia está dobrada ou danificada.	Substitua a barra de guia.	
↓	Substâncias estranhas presas na corrente da serra.	Retire as substâncias estranhas com o motor desligado.	
Pare o motor imediatamente	Sistema de accionamento anómalo.	Peça uma inspecção e manutenção.	
O equipamento vibra de forma anómala	Barra de guia quebrada, dobrada ou gasta.	Substitua a barra de guia.	
	↓	Corrente da serra desapertada.	Ajuste a tensão da corrente da serra.
	Pare o motor imediatamente	Sistema de accionamento anómalo.	Peça uma inspecção e manutenção.
A corrente da serra não pára	Rotação a marcha rápida.	Ajuste o ralenti.	
	↓	Problema no fio do controlo do acelerador.	Solicite o centro de assistência para o substituir.
	Pare o motor imediatamente	Sistema de accionamento anómalo.	Peça uma inspecção e manutenção.
O motor não pára	↓	Conector desligado do botão I-O.	Encaixe bem.
	Coloque o motor em marcha lenta e regule a alavanca do afogador para FECHAR	Sistema eléctrico anómalo.	Peça uma inspecção e manutenção.

Quando o motor não arranca após a operação de aquecimento:

Se não encontrar nenhuma anomalia nos itens verificados, abra o regulador de velocidade cerca de 1/3.

Mange tak fordi du købte en teleskopisk benzindreven stangsav fra MAKITA. Vi er glade for at kunne anbefale dig denne teleskopiske benzindrevne stangsav fra MAKITA, der er resultatet af et langt udviklingsprogram og mange års viden og erfaring.

Læs venligst dette hæfte der i detaljer gennemgår de forskellige punkter, som demonstrerer maskinens fremragende ydeevne. Det vil gøre dig i stand til at opnå det bedst mulige resultat med din teleskopiske benzindrevne stangsav fra MAKITA.



Indhold	Side
Symboler .....	184
Sikkerhedsanvisninger .....	185
Tekniske data.....	191
Delenes betegnelser.....	192
Samling og justering.....	193
Inden anvendelse .....	197
Punkter vedrørende betjening og stopprocedure .....	199
Betjening.....	201
Vedligeholdelsesinstruktioner .....	201
Opbevaring.....	207

## SYMBOLER

Du skal være opmærksom på følgende symboler, når du læser brugsanvisningen.

	Læs brugsanvisningen og følg advarselne og sikkerhedsforholdsreglerne!		Ingen åben ild!
	Vær særlig forsigtig og opmærksom!		Kædeolie.
	Bær hjelm, øjen- og høreværn.		Hold arbejdsområdet fri for personer og dyr!
	Der skal anvendes beskyttelseshandsker!		Brændstof (Benzin)
	Anvend kraftige støvler med skridsikre såler.		Manuel start af motor
	Hold en afstand på mindst 15 m mellem udstyret og personer i nærheden og/eller elledning (inklusive grene som er i kontakt med elledningen). Risiko for elektrisk stød og/eller personskader.		Førstehjælp
	Hold aldrig stangsaven på en større vinkel end 60°.		TÆNDT/START
	Kædehastighed.		SLUKKET/STOP
	Forbudt!		Nødstop
	Ryging forbudt!		



## Generelle instruktioner

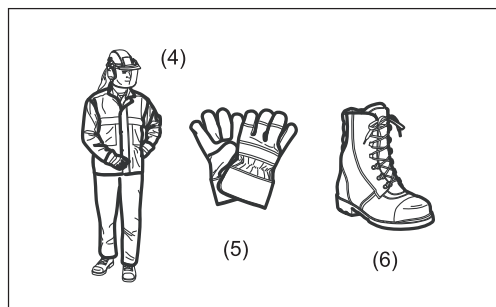
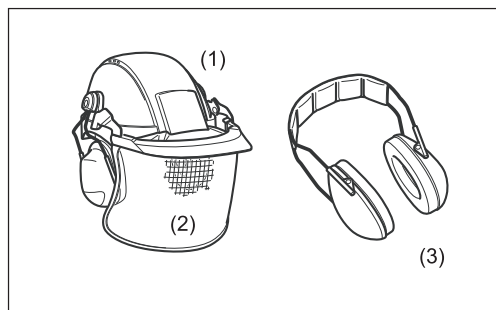
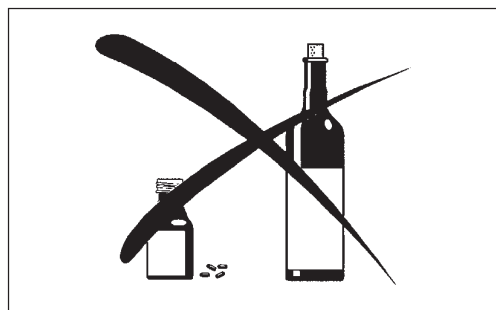
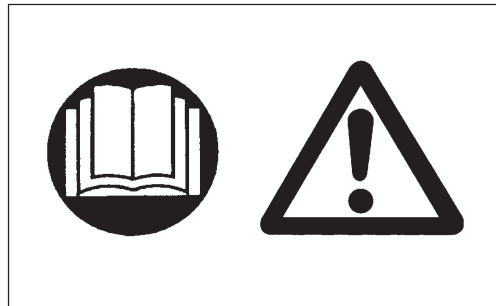
- For at sikre at maskinen anvendes korrekt, skal brugeren læse denne brugsanvisning, sådan at han kender til håndteringen af maskinen. Brugere, som ikke kender tilstrækkeligt til anvendelsen, er til fare for dem selv og andre pga. forkert håndtering af maskinen.
- Det anbefales at udstyret kun lånes ud til personer, som har erfaring med udstyr. Overdrag altid brugsanvisningen.
- Førstegangsbrugere bør bede forhandleren om grundlæggende instrukser for at få kendskab til håndteringen af en motordrevet skæremaskine.
- Børn og personer under 18 år må ikke anvende udstyret. Personer over 16 må anvende maskinen til træningsformål, men kun under vejledning af en kvalificeret underviser.
- Anvend udstyret med stor forsigtighed og opmærksomhed.
- Brug kun udstyret, hvis du er i god fysisk form. Udfør alt arbejde roligt og forsigtigt. Brugeren skal påtage sig ansvaret for andre.
- Brug aldrig udstyret efter indtagelse af alkohol eller medicin, eller hvis du føler dig træt eller utilpas.
- Forsøg aldrig at modificere udstyret.
- Nationale bestemmelser kan muligvis begrænse brugen af udstyret. Overhold reglerne for håndtering af stangsawe og motorsawe i dit land.

## Beregnet brug af maskinen

Dette udstyr er designet udelukkende til det formål at beskære grene, som er mindre end 15 cm i diameter. Anvend aldrig udstyret til nogen andre formål. Misbrug af udstyret kan medføre alvorlig personskade.

## Personligt sikkerhedsudstyr

- Der skal bæres funktionelt og passende tøj, dvs. det bør sidde tæt, men ikke være til hindring. Bær ikke smykker eller tøj, der kan sidde fast i buske eller krat.
- For at undgå skader på hoved, øjne, hænder eller fødder samt for at beskytte din hørelse, skal du altid bære følgende sikkerhedsudstyr og beskyttelsesbeklædning under anvendelsen.
- Bær altid en hjelm på steder hvor der er risiko for, at ting falder ned. Beskyttelseshjelm (1) skal med jævne mellemrum efterses for skader, og skal udskiftes mindst hvert 5 år. Brug kun godkendte beskyttelseshjelme.
- Hjelmens visir (2) (eller alternativt beskyttelsesbriller) beskytter ansigtet mod flyvende afskårne dele og sten. Der skal der altid anvendes beskyttelsesbriller eller et visir under anvendelsen for at forhindre øjenskader.
- Anvend passende midler til beskyttelse mod støj for at undgå hørenedsættelse (hørevern (3) ørepropper m.v.).
- Arbejdsoveralls (4) beskytter mod flyvende sten og afskåret materiale. Vi anbefaler på det kraftigste, at brugeren anvender arbejdsoveralls.
- Specialhandsker (5), der er lavet af tykt læder, er en del af det foreskrevne udstyr og skal altid anvendes under betjening.
- Under brug af udstyret skal der altid anvendes solide sko (6) med en skridsikker sål. Dette beskytter mod skader og sikrer et godt fodfæste.
- Anvend beskyttelseshandsker, når du håndterer savkæden eller justerer kædestramningen. Du kan skære bare hænder voldsomt på savkæden.



## Sikkerhedsregler for arbejdsområdet

- **⚠ Fare:** Hold stangsaven mindst 15 meter væk fra elledninger og kommunikationskabler (inklusive grene som er i kontakt med dem). Berøring af eller tæt afstand til højspændingsledninger med stangsaven kan resultere i død eller alvorlig personskade. Se efter strømledninger og elektriske hegn omkring arbejdsområdet inden start af arbejdet.
- Anvend kun stangsaven under forhold med god sigtbarhed og i dagslys. Stangsaven må ikke anvendes i mørke eller tåge.
- Start og anvend kun motoren udendørs på områder med god ventilation. Anvendelse på et indelukket eller dårligt ventileret område kan medføre død pga. kvælning eller kulilteforgiftning.
- Under anvendelsen må du aldrig stå på en ustabil eller glat overflade eller på en stejl bakke. Vær opmærksom på is og sne i den kolde sæson og sørg altid for at have et godt fodfæste.
- Hold tilskuere og dyr på mindst 15 meters afstand af stangsaven under anvendelsen. Stop motoren så snart nogen nærmer sig.
- Undersøg arbejdsområder for trådhegn, mure eller andre hårde genstande inden arbejdet udføres. De kan beskadige savkæden.
- **⚠ ADVARSEL:** Brug af dette produkt kan udvikle støv indeholdende kemikalier, der kan medføre luftvejs- eller andre sygdomme. Eksempler på disse kemikalier er forbindelser fundet i pesticider, insektmidler, kunstgødninger og sprøjtegifte. Din risiko i forbindelse med udsættelse for disse kemikalier afhænger af, hvor ofte du udfører denne type arbejde. For at reducere udsættelsen for disse kemikalier: Udfør kun arbejde på områder med god ventilation og under anvendelse af godkendt sikkerhedsudstyr, såsom støvmasker, der er specielt konstrueret til at frafiltrere mikroskopiske partikler.

## Anvendelse

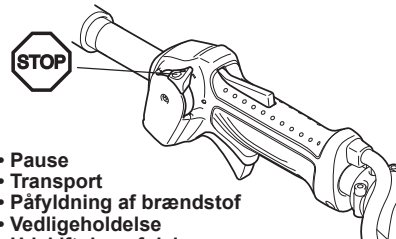
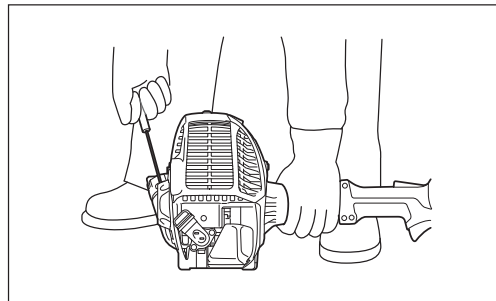
- Inden samling eller justering af udstyret skal du slukke for motoren og fjerne tændrørshætten.
- Inden motoren startes, skal du efterse udstyret for skader, løse skruer/møtrikker og forkert samling. Slib sløve savkæder. Hvis savkæden er bøjet eller beskadiget, skal den udskiftes. Kontroller, at alle kontrolhåndtag og kontakter glider nemt. Rens og tør håndtagene godt.
- Forsøg aldrig på at starte motoren, hvis udstyret er beskadiget eller ikke er fuldstændig samlet. Ellers kan det medføre alvorlig personskade.
- Foretag korrekt justering af kædestramningen. Påfyld kædeolie om nødvendigt.

## Start af motoren

- Sørg for, at der ikke er nogen børn eller andre mennesker i nærheden og vær også opmærksom på eventuelle dyr i arbejdsområdet.
- Tag det personlige sikkerhedsudstyr på inden start af motoren.
- Kontroller, at tilbehøret er monteret ordentligt, at gashåndtaget glider let, og at lås-fra-mekanismen fungerer korrekt.
- Hvis savkæden drejer rundt ved tomgang, skal du stoppe motoren og justere tomgangshastigheden ned. Bed et autoriseret servicecenter om justering, hvis du er i tvivl. Sørg for, at håndtagene er rene og tørre og test funktionen af start/stop-kontakten.

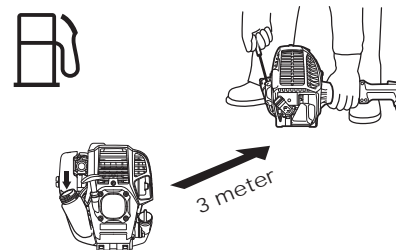
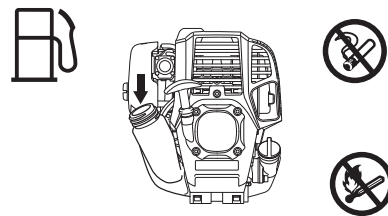
Start kun motoren som beskrevet i brugsanvisningen.

- Benyt ikke andre metoder til at starte motoren med!
- Placer udstyret på fast grund. Hold en god balance og et sikkert fodfæste.
- Når du trækker i starthåndtaget, skal du holde maskinen fast mod jorden med venstre hånd. Træd aldrig på drivakslen.
- Inden start af motoren skal du sikre dig, at der ikke er nogen personer eller dyr i arbejdsområdet.
- Når du starter motoren, skal du holde savkæden og sværdet væk fra kroppen og andre objekter, inklusive jorden. Savkæden kan eventuelt begynde at køre ved start af maskinen og forårsage alvorlig personskade eller beskadige savkæden og/eller materiel.
- Motoren skal øjeblikkeligt slås fra i tilfælde af motorproblemer.
- Skulle savkæden ramme sten eller andre hårde objekter, skal du straks slukke for motoren og efterse udstyret.
- Anvend kun udstyret med skulderremmen monteret, der desuden skal være ordentligt justeret, inden udstyret anvendes. Det er vigtigt at justere skulderremmen i henhold til brugerens størrelse for at forhindre træthed under brug. Hold aldrig saven med kun én hånd under brug.
- Monter skulderremmen med motoren kørende i tomgang. Under anvendelsen skal udstyret holdes fast på din højre side.
- Alle sikkerhedsinstallationer og skærme, der følger med maskinen, skal anvendes under betjeningen.
- Anvend aldrig motoren med en defekt lyddæmper.
- Undtagen i nødstilfælde må du aldrig tabe eller kaste maskinen ned på jorden, ellers kan dette beskadige maskinen alvorligt.



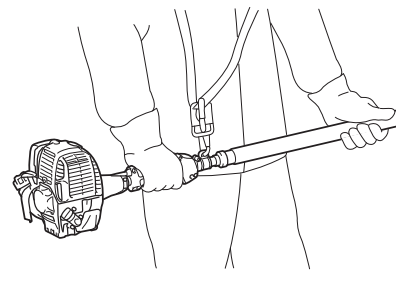
### Påfyldning af brændstof

- Sluk for motoren under påfyldning af brændstof, hold maskinen væk fra åben ild, samt undlad ryge.
- Undgå hudkontakt med mineralske olieprodukter. Indånd ikke brændstofdamp. Bær altid beskyttelseshandsker under påfyldning af brændstof. Skift og rens beskyttelsesbeklædningen med jævne mellemrum.
- Pas på ikke at spilde hverken brændstof eller olie for at forhindre forurening af jorden (miljøbeskyttelse). Rengør omgående udstyret, hvis du har spildt brændstof.
- Undgå at få brændstof på tøjet. Skift øjeblikkeligt tøj, hvis der kommer brændstof på (for at undgå at der går ild i tøjet).
- Efterse brændstofdækslet med jævne mellemrum for at sikre, at det kan lukkes ordentligt, og der ikke lækker brændstof ud.
- Stram omhyggeligt brændstoftankens dæksel til. Skift sted inden motoren startes (mindst 3 meter væk fra stedet for brændstofpåfyldningen).
- Påfyld aldrig brændstof i lukkede rum. Der kan ophobes brændstofdamp i jordhøjde (fare for eksplosioner).
- Foretag kun transport og opbevaring af brændstof i godkendte beholdere. Sørg for, at brændstof opbevares således, at børn ikke har adgang til det.



### Betjeningsmetode

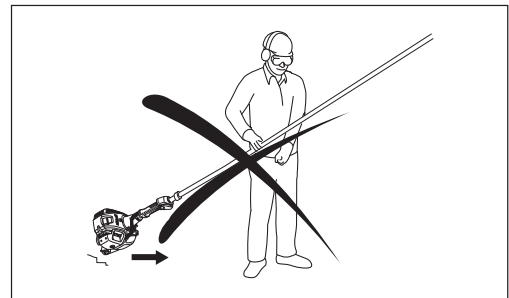
- I nødstilfælde skal du straks slukke for motoren.
- Hvis du bemærker noget unormalt (f.eks. støj, vibration) under anvendelsen, skal du slukke for motoren. Brug ikke udstyret før årsagen er fundet, og problemet er løst.
- Savkæden fortsætter med at køre i en kort periode, efter gashåndtaget er sluppet. Rør ikke straks ved savkæden.
- Hold det forreste greb med venstre hånd og det bagerste greb med højre hånd, uanset om du er højre- eller venstrehåndet. Hold rundt om grebene med fingre og tommeltotter.
- Forsøg aldrig at betjene udstyret med én hånd. Tab af kontrol kan medføre alvorlig eller dødelig tilskadekomst. For at reducere risikoen for personskader skal du holde hænder og fødder væk fra knivene.
- Stræk dig ikke for langt frem. Bevar fodfæstet og balancen til enhver tid.
- Vær på vagt over for skjulte forhindringer som f.eks. træstubbe, rødder og grøfter, så du undgår at snuble. Fjern nedfaldne grene og andre genstande.
- Hvis udstyret bliver udsat for stærkt tryk eller tabes, skal du kontrollere tilstanden, inden du fortsætter arbejdet. Kontroller brændstofsysteet for brændstoftækkage samt betjenings- og sikkerhedsudstyr for funktionsfejl. Hvis der er nogen skader eller tvivlsspørgsmål, skal du bede et autoriseret Makita-servicecenter om at foretage eftersyn og reparation.
- Rør ikke ved gearkassen. Gearkassen bliver varm under anvendelsen.
- Når du forlader udstyret, selv hvis det kun er for kort tid, skal du altid stoppe motoren. Hvis udstyret med kørende motor lades uden opsyn kan det blive anvendt af en uautoriseret person og medføre alvorlige ulykker.



- Vær opmærksom på omgivelserne. Undgå unødvendig aktivering af gashåndtaget for mindre luft- og støjforurening. Foretag korrekt justering af karburatoren.
- Placer ikke det varme udstyr på tørt græs eller brændbare materialer, hverken under eller efter anvendelsen.
- Hold ikke din højre hånd over skulderhøjde.
- Slå aldrig savkæden mod hårde genstande som f.eks. sten og søm under anvendelsen. Vær særlig opmærksom ved savning af grene nær mure, trådhegn eller lignende.
- Hvis der sætter sig grene fast i savkæden, skal du altid stoppe motoren og fjerne tændrørshætten. Ellers kan utilsigtet start forårsage alvorlige personskader.
- Hvis savkæden bliver beskidt, skal du altid stoppe motoren og fjerne tændrøret, inden rengøring.
- Accelerering af motoren med blokeret savkæde forøger belastningen, og vil medføre beskadigelse af motoren og/eller koblingen.
- Inden savning af grene skal du sørge for, at der er adgang til et sikkerhedsområde væk fra den faldende gren. Ryd først arbejdsområdet for forhindringer som f.eks. grene. Flyt alle værktøjer og ting fra sikkerhedsområdet til et andet sikkert sted.
- Inden du saver grene af skal du kontrollere deres falderetning, overveje grenenes tilstand, tilstødende træer, vindretning m.v. Vær meget opmærksom på falderetningen, og grene der springer tilbage, når de rammer jorden.
- Hold aldrig stangsaven på en større vinkel end 60°. Ellers kan nedfaldende genstande ramme brugeren og forårsage alvorlig personskade. Stå aldrig neden under den gren, der saves.
- Vær opmærksom på brækkede eller bøjede grene. De kan springe tilbage under savningen og medføre uventet tilskadekomst.
- Inden savning af de grene som du ønsker at save af, skal du fjerne grenene og bladene omkring dem. Ellers kan saven sætte sig fast i dem.
- For at forhindre at saven sætter sig fast i snittet, skal du ikke slippe gashåndtaget, før saven er trukket ud af snittet.
- Hvis savkæden sætter sig fast i snittet, skal du straks stoppe motoren, og forsigtigt flytte grenen for at åbne snittet og frigøre saven.
- Undgå tilbageslag (modsat drejende kraft mod brugeren). For at forhindre tilbageslag må du aldrig anvende sværdnæsen eller foretage et gennemgående snit. Vær altid opmærksom på sværdnæsens position.
- Kontroller hyppigt kædestramningen. Ved kontrol eller justering af kædestramningen skal motoren stoppes, og tændrørshætten fjernes. Hvis stramningen er slap, skal du stramme den.
- Betjen udstyret så det støjer og forurener så lidt som muligt. Kontroller især den korrekte indstilling af karburatoren.
- Stå aldrig på en stige, når du arbejder med maskinen.
- Kravl aldrig op i træer for at save.
- Vent indtil kæden når dens fulde arbejdshastighed, inden du saver.
- Hold pauser for at forhindre tab af kontrol pga. træthed. Vi anbefaler, at du tager en 10 til 20 minutters pause hver time.

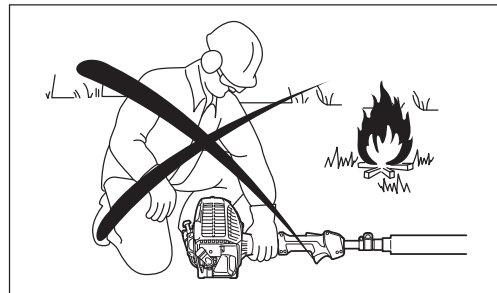
## Transport

- Inden transport af udstyret skal du slukke for motoren og fjerne tændrørshætten.
- Sæt altid sværdsmeden på under transport.
- Brug altid den maskinbeskyttelse, som følger med udstyret.
- Bær det i en vandret position ved at holde i skaftet. Sørg for at holde den varme lyddæmper væk fra kroppen.
- Når udstyret transporteres i et køretøj, skal det fastspændes, så det ikke ruller rundt. Ellers kan det medføre brændstoflækage og beskadigelse af udstyret og anden bagage.
- Sluk for motoren under transport.
- Sørg for at brændstoffranken er helt tom.
- Når udstyret tages af vognen, må motoren aldrig tabes på jorden, eftersom dette kan medføre alvorlig beskadigelse af brændstoffranken.
- Husk altid at løfte hele udstyret op fra jorden, når du flytter det. Det er yderst farligt at trække brændstoffranken hen over jorden, og det kan forårsage skader samt lækage af brændstof, der muligvis kan medføre brandudvikling.



## Vedligeholdelsesvejledning

- Få dit udstyr repareret på vores autoriserede servicecenter, hvor der altid anvendes originale reservedele. Forkert reparation og dårlig vedligeholdelse kan forkorte udstyrets levetid og forhøje risikoen for uheld.
- Inden der udføres vedligeholdelsesarbejde eller rengøring af udstyret, skal du altid stoppe motoren og fjerne tændrørshætten. Vent indtil motoren bliver kold.
- Udfør aldrig service på, og opbevar ikke, udstyret i nærheden af åben ild af hensyn til brandfaren.
- Anvend altid beskyttelseshandsker ved håndtering af savkæden.
- Rengør altid udstyret for støv og snavs. Brug aldrig benzin, benzen, fortynder, alkohol eller lignende til formålet. Det kan medføre misfarvning, deformation eller revner i plastikkomponenterne.
- Efter hver anvendelse skal alle skruer og møtrikker efterspændes, med undtagelse af justeringsskruerne.
- Hold savkæden skarp. Hvis savkæden bliver sløv, og saveydelsen er forringet, skal du bede et autoriseret Makita-servicecenter om at slibe den eller udskifte den med en ny.
- Forsøg ikke at fortage nogen vedligeholdelse eller reparation, som ikke er beskrevet i denne brugsanvisning. Bed et autoriseret Makita-servicecenter om at udføre sådanne arbejder.
- Rengør udstyret med jævne mellemrum og kontroller, at alle skruer og møtrikker er strammet ordentligt til.
- Opbevar altid udstyret på et aflåst sted og med en tom brændstoftank.



## Opbevaring

- Foretag fuld rengøring og vedligeholdelse inden udstyret sættes til opbevaring. Sæt sværdskedden på. Fjern tændrørshætten. Tøm motoren for brændstof og kædeolie, når den er kølet af.
- Opbevar udstyret på et tørt og højtbeliggende eller aflåst sted uden for børns rækkevidde.
- Læn ikke udstyret op ad noget andet som f.eks. en væg. Ellers kan den pludselig falde ned og forårsage personskade.

Overhold de relevante vejledninger angående ulykkesforebyggelse som udgives af de pågældende brancheforeninger og forsikringsfirmaer. Af sikkerhedshensyn skal man ikke foretage ændringer på udstyret.

Udførelsen af vedligeholdelsesarbejde eller reparationer af brugeren er begrænset til de ting, der er beskrevet i brugsanvisningen. Alt andet arbejde skal udføres af et autoriseret servicecenter. Brug kun ægte reservedele og tilbehør som forhandles og leveres af MAKITA. Brug af ikke-godkendt tilbehør og værktøjer kan forøge risikoen for uheld. MAKITA påtager sig intet ansvar for ulykker eller skader, der er opstået på grund af brug af ikke-godkendte tilbehør, fastgørelsesmidler til tilbehør eller ekstraudstyr.

## Førstehjælp

I tilfælde af en ulykke skal du sørge for at have en førstehjælpskasse i nærheden af det sted, hvor du udfører skærearbejde. Erstat straks de ting der benyttes fra førstehjælpskassen.

### Oplys venligst følgende hvis du tilkalder hjælp:

- Sted for ulykke
- Hvad der er sket
- Antallet af tilskadede personer
- Hvilke skader det drejer sig om
- Dit navn



## Vibration

- Personer med dårligt blodomløb, der udsættes for kraftige vibrationer, risikerer beskadigelse af blodkar eller nervesystemet. Vibrationer kan medføre følgende symptomer i fingre, hænder eller håndled: Leddet "sover" (følelsesløshed), prikken, smerte, stikken, ændring af hudfarven eller af huden. Søg læge, hvis nogle af disse symptomer opstår!
- For at reducere risikoen for "hvide fingre-syndrom" skal du holde dine varme under anvendelsen og vedligeholde udstyret og tilbehøret ordentligt.

---

---

## EF-OVERENSSTEMMELSESERKLÆRING

**Vi, Makita Corporation, erklærer som ansvarlig producent at følgende Makita-maskine(r):**

Maskinens betegnelse: Teleskopisk benzindrevet stangsav

Modelnummer/type: EY2650H

Specifikationer: se skemaet "TEKNISKE DATA"

er en produktionsserie og

**Overholder følgende europæiske direktiver:**

2006/42/EF

Og er produceret i overensstemmelse med følgende standarder eller standardiserede dokumenter:

EN/ISO11680

Den tekniske dokumentation findes hos:

Makita International Europe Ltd., Technical Department,

Michigan Drive, Tongwell, Milton Keynes, Bucks MK15 8JD, England

EF-typeafprøvningscertifikatnr. som en stangsav er:

4813008.13001

EF-typeafprøvningen blev pr. 2006/42/EF udført af:

DEKRA Testing and Certification GmbH Enderstraße 92b 01277 Dresden, Tyskland

Identifikationsnr. 2140

31. 10. 2013



Tomoyasu Kato

Direktør

Makita Corporation

3-11-8, Sumiyoshi-cho,

Anjo, Aichi, 446-8502, JAPAN

---

---

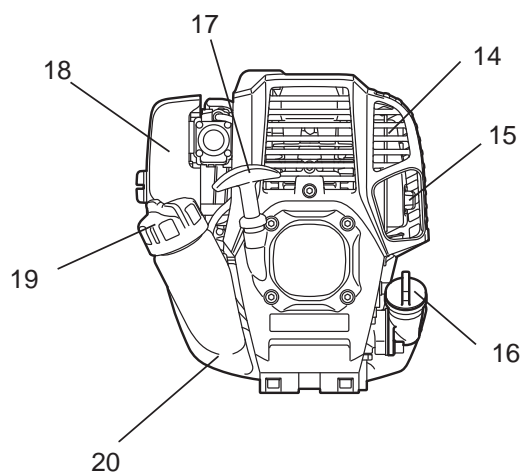
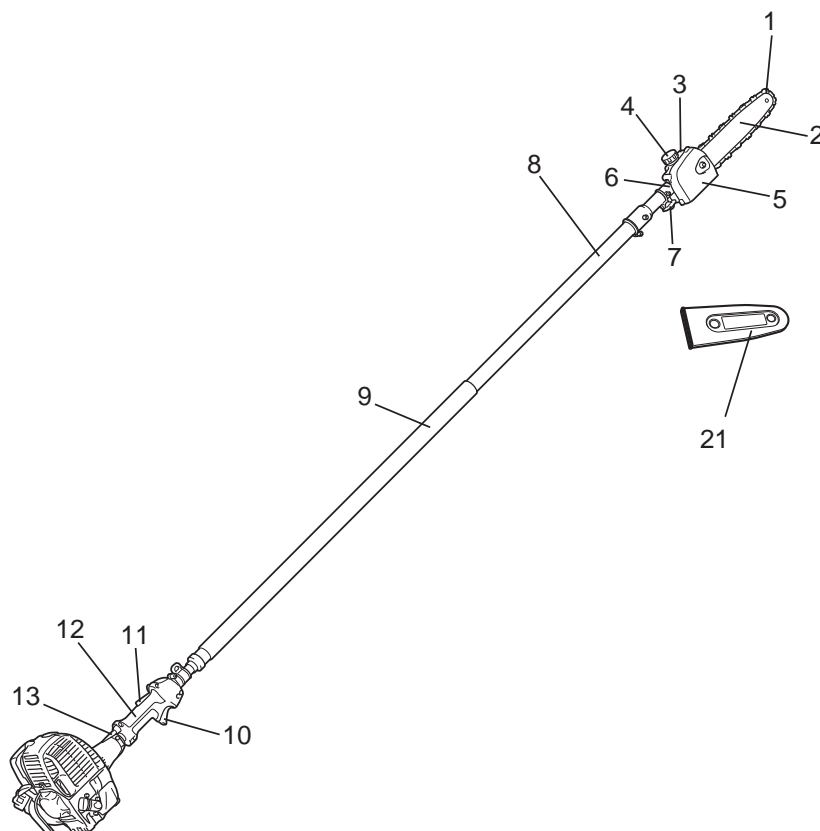
## TEKNISKE DATA

Model		EY2650H		
Mål: L x B x H	mm	2.720-3.920 x 223 x 240		
Vægt	kg	7,2		
Volumen for brændstoftank	cm <sup>3</sup>	600		
Volumen for kædeolietank	cm <sup>3</sup>	120		
Motorvolumen	cm <sup>3</sup>	25,4		
Maks. kædehastighed	m/s	21,0		
Maksimal motorydelse		0,77 kW ved 7.000 min <sup>-1</sup>		
Motorhastighed ved anbefalet maksimal spindelhastighed	min <sup>-1</sup>	10.000		
Tomgangshastighed	min <sup>-1</sup>	3.000		
Omdrejningstal ved indkobling	min <sup>-1</sup>	4.400		
Karburator		Membrantype		
Tændrør	Type	NGK CMR4A		
Elektrodeafstand	mm	0,7 - 0,8		
Brændstof		Bilbenzin		
Motorolie		API grad SF-klasse eller højere SAE 10W-30-olie (4-takts bilmotorolie)		
Skærelængde	mm	255		
Sværdlængde	mm (tommer)	255 (10")		
Savkæde		91VXL-39E		
Kædeafstand	tommer	3/8"		
Kædemåler	mm (tommer)	1,3 (0,05")		
Antal kædehjulstænder		7		
Kædeolie		Original Makita-kædeolie		
Kædeoliepumpe		Stempelpumpe (Selvsmørende type)		
Vibration pr. ISO 22867	Højre greb (bagerste greb)	a <sub>h<sub>v</sub> eq</sub> (Skafte i korteste position)	m/s <sup>2</sup>	5,3
		a <sub>h<sub>v</sub> eq</sub> (Skafte i længste position)	m/s <sup>2</sup>	6,1
		Usikkerhed K	m/s <sup>2</sup>	2,0
	Venstre greb (forreste greb)	a <sub>h<sub>v</sub> eq</sub> (Skafte i korteste position)	m/s <sup>2</sup>	7,2
		a <sub>h<sub>v</sub> eq</sub> (Skafte i længste position)	m/s <sup>2</sup>	8,6
		Usikkerhed K	m/s <sup>2</sup>	2,0
Gennemsnitligt lydtrykkniveau pr. ISO 22868	L <sub>PA eq</sub>	dBA	89,5	
	Usikkerhed K	dBA	2,5	
Gennemsnitligt lydstyrkeniveau pr. ISO 22868	L <sub>WA eq</sub>	dBA	107,3	
	Usikkerhed K	dBA	2,5	

- På grund af vores løbende forsknings- og udviklingsprogram kan specifikationerne heri ændres uden forudgående varsel.
- Specifikationerne kan variere fra land til land.

# DELENES BETEGNELSER

EY2650H



DK	DELENES BETEGNELSER
1	Savkæde
2	Sværd
3	Olietank
4	Olietankdæksel
5	Sværdholder
6	Gearkasse
7	Knap
8	Teleskopisk skaft
9	Forreste greb
10	Gashåndtag
11	Lås-fra-mekanisme
12	Bagerste greb
13	Styrekabel
14	Lyddæmper
15	Udstødningsrør
16	Oliedæksel
17	Starthåndtag
18	Luffilter
19	Brændstoftankdæksel
20	Brændstoftank
21	Sværdskede



## SAMLING OG JUSTERING

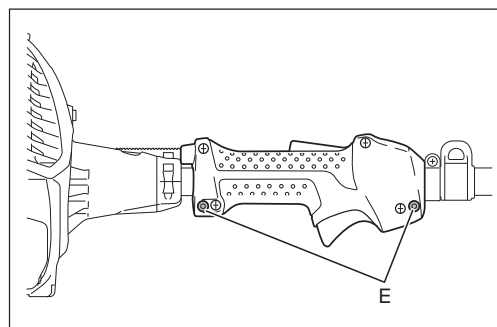
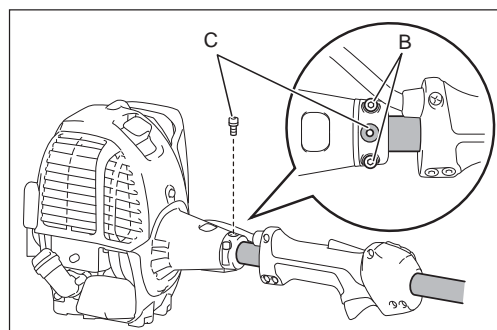
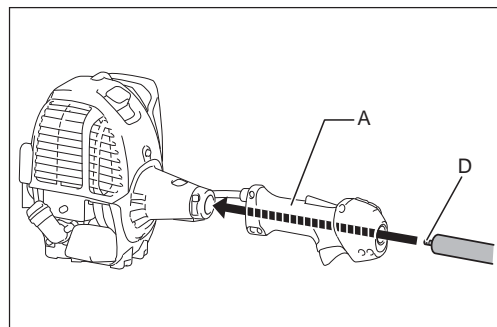
### ADVARSEL:

- Inden samling, justering eller eftersyn skal du slukke for motoren og fjerne tændrørshætten.
- Anvend altid beskyttelseshandsker ved håndtering af savkæden.
- Vent til savkæden er kølet af inden du foretager samling, justering eller eftersyn. Savkæden bliver meget varm under anvendelsen og kan muligvis forårsage forbrændinger.

### Samling af skaft og koblingshus

Saml skaftet med det bagerste greb og motorenheden som følger:

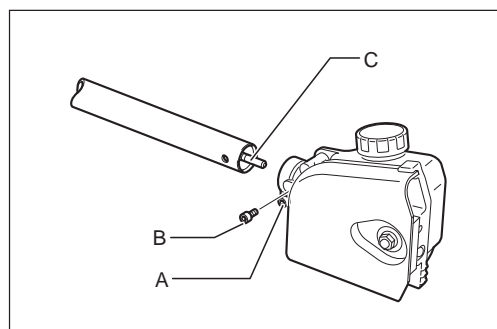
1. Sæt skaftet ind gennem det bagerste greb (A).
2. Løsn to fastgøringsbolte (B) og fjern midterbolten (C) på koblingshuset.
3. Sæt skaftet ind i koblingshuset. Hvis det er svært at sætte det helt ind, skal du dreje noten (D) en smule.
4. Ret hullet i skaftet ind med midterboltens hul.
5. Spænd midterbolten.
6. Spænd de to fastgøringsbolte ligeligt.
7. Juster positionen af det bagerste greb, og stram det derefter med to bolte (E).



### Samling af skaft og gearkasse

Saml skaftet med gearkassen som følger:

1. Løsn bolten (A). Og fjern bolten (B).
2. Sæt skaftet ind i gearkassen. Hvis det er svært at sætte det helt ind, skal du dreje noten (C) en smule.
3. Ret hullet i skaftet ind med bolthullet (B).
4. Spænd bolten (B) først og spænd derefter bolten (A).



## Samling af savkæde og sværd

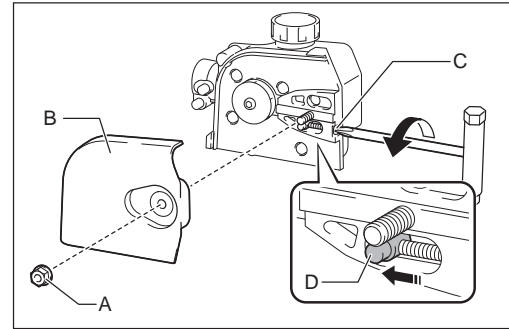
**FORSIGTIG:** Sørg for at savkæden, sværdet og kædehjulet matcher hinanden i mål og tandafstand.

Saml savkæden og sværdet i henhold til de følgende trin.

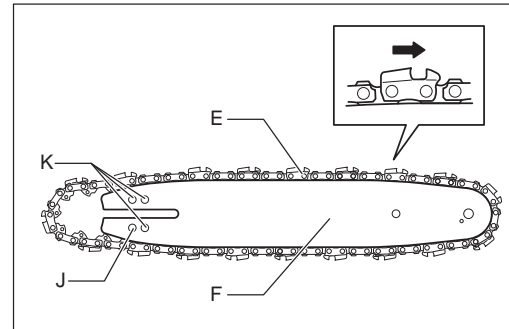
1. Løsn møtrikken (A) og fjern sværdholderen (B).
2. Drej skruen til stramning (C) mod uret indtil spændingsmøtrikken (D) rører ved den venstre ende.

### BEMÆRK:

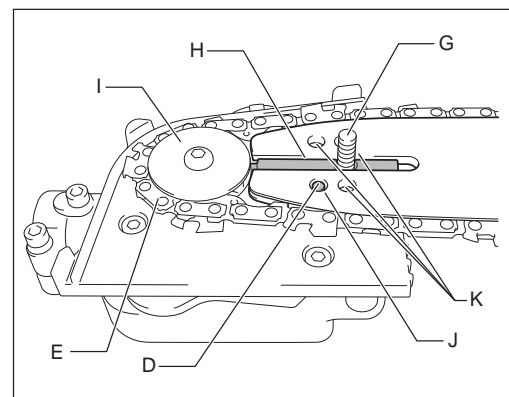
- Drej ikke skruen til stramning for meget mod uret, ellers falder skruen til stramning og spændingsmøtrikken af huset.



3. Placer savkæden (E) i rillen på sværdet (F). Start proceduren fra sværdets næse.



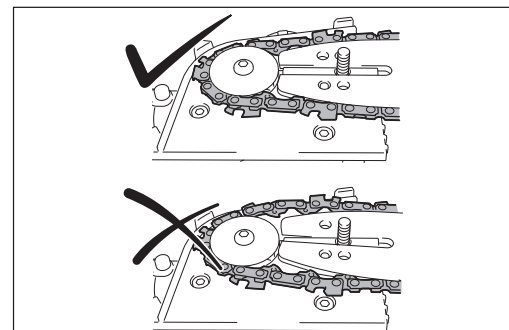
4. Ret positionsbolten (G) ind med indsnittet i sværdet (H), og placer derefter savkæden (E) på kædehjulet (I). Sørg for at savkæden er placeret langs med sværdet under proceduren.
5. Monter sværdet (F) så spændingsmøtrikken (D) passer ind i hullet (J) på sværdet. Hullerne (K) anvendes ikke.



6. Placer savkæden ordentligt i rillen på sværdet. Hvis savkæden ikke er placeret ordentligt i rillen på sværdet på dette punkt, skal du justere og placere den ordentligt.
7. Placer sværdholderen (B) og spænd møtrikken (A) ordentligt til. Løsn derefter møtrikken en halv omgang af hensyn til kædestramningsjusteringen.
8. Juster kædestramningen. Se afsnittet "Justering af kædestramningen".

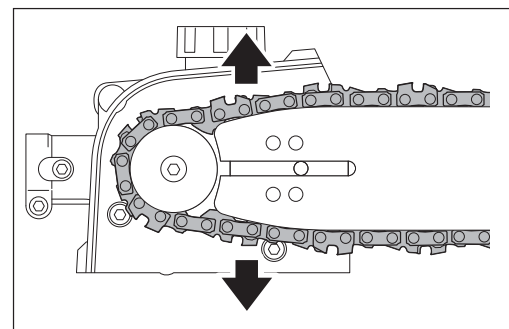
### FORSIGTIG:

- Sørg for at holde den rigtige kædestramning. En for løs stramning kan medføre, at savkæden falder af.



For at afmontere savkæden og sværdet skal du først dreje skruen til stramning (C) mod uret.

Træk savkæden udad, så savkæden kan komme ud af rillen i sværdet, og fjern dem derefter fra huset.



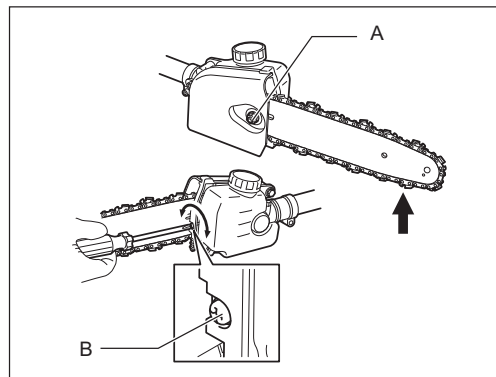
## Justering af kædestramningen

### FORSIGTIG:

- Sørg for at holde den rigtige kædestramning. En for løs kædestramning kan medføre, at savkæden falder af under anvendelsen. En for stram kædestramning kan beskadige savkæden og sværdet.
- Kontroller hyppigt kædestramningen under anvendelsen. Savkæden strækkes og bliver løs under anvendelsen. Når du anvender en ny savkæde, skal kædestramningen justeres endnu hyppigere.

Juster kædestramningen vha. følgende trin.

1. Løsn møtrikken **(A)** en halv omgang.
2. Hold sværdets næse opad. Drej skruen til stramning af kæden **(B)** med uret, indtil savkæden passer nøjagtigt til undersiden af sværdet.
3. Tag fat i savkæden midt på sværdet, og løft den opad. Afstanden mellem sværdet og savkædens forbindelsesled bør være ca. 3 - 4 mm (0,118" - 0,157"). Hvis den ikke er det, skal du dreje skruen til stramning af kæden en smule mod urets retning og foretage trin 2 igen.
4. Spænd møtrikken **(A)** ordentligt.
5. Om nødvendigt skal du spænde skruen til stramning af kæden en smule, så den ikke falder af.



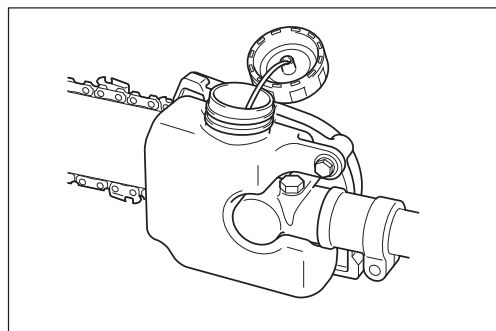
## Opfyldning af kædeolietanken

Savkæden skal smøres med kædeolie under anvendelsen. Fyld kædeolietanken op inden anvendelsen. Skru olietankdækslet ordentligt til efter påfyldning af olien. Brug kun original Makita-kædeolie.

### BEMÆRK:

- Anvend aldrig spildolie. Det kan beskadige oliepumpen.
- Undgå støvede omgivelser ved påfyldning af kædeolien. Støv og andre fremmedlegemer kan muligvis beskadige olietilførselssystemet.

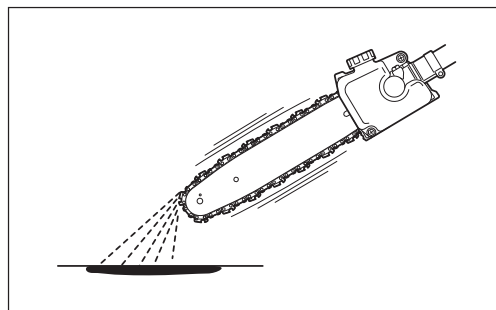
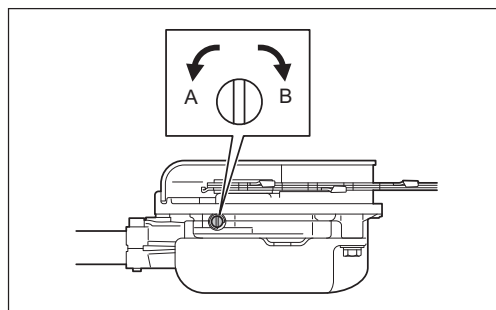
Vær altid opmærksom på oliestanden under anvendelsen. Genopfyld tanken hvis oliestanden bliver lav. Tankens indhold er opbrugt efter ca. 40 minutters anvendelse (afhængigt af indstillingen for kædesmøring).



## Justering af tilførselshastigheden for kædeolie

Kædeolietilførselshastigheden kan justeres i tre trin. Tilførselshastigheden skal justeres afhængigt af anvendelsen, f.eks. ved savning af hårde grene. Brug en fladhovedet skruetrækker til at justere kædeolietilførselshastigheden. Tryk justeringskruen ind og drej den. For at forøge tilførselshastigheden drejes justeringskruen mod urets retning **(A)**. For at mindske tilførselshastigheden drejes den med uret **(B)**.

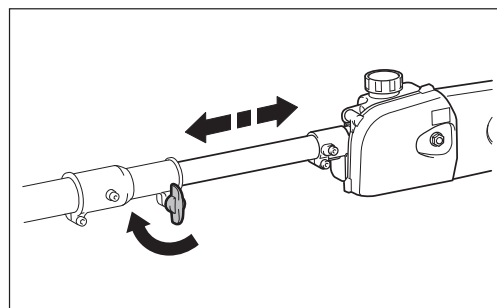
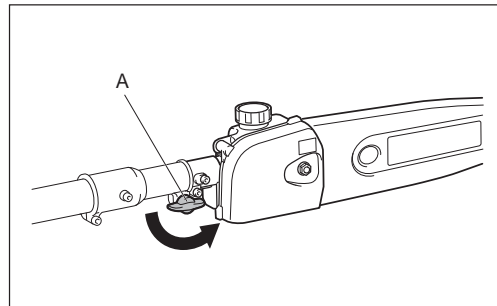
Efter justering af kædeolietilførselshastigheden skal du kontrollere tilførselshastigheden ved at køre udstyret ved medium hastighed.



## Justering af stangsavens længde

Juster stangsavens længde som følger:

1. Drej knappen (A) mod urets retning.
2. Juster stangsavens længde.
3. Drej knappen med uret for at fastgøre gearhovedet.



## Skulderrem

### Justering af skulderremmen

Juster remmen til en passende længde i forhold til anvendelsen.

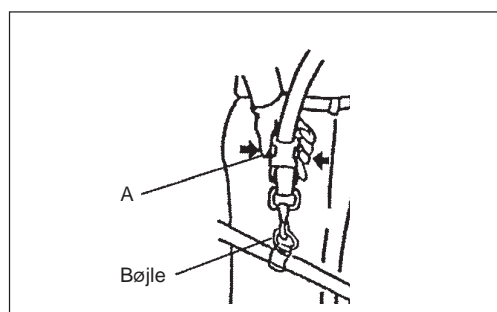
### Aftagning

I nødstilfælde skal du trykke på indsnittene (A) på begge sider for at tage udstyret af.

Du skal være meget omhyggelig med at beholde kontrollen over udstyret på dette tidspunkt. Tillad ikke udstyret at blive slået tilbage mod dig eller andre i nærheden.

**ADVARSEL:** Hvis du ikke har fuld kontrol over maskinen, kan det resultere i alvorlig kvæstelse eller DØD.

Bemærk: I visse lande er skulderremmen ikke udstyret med denne aftagningsfunktion.



## Eftersyn og opfyldning af motorolie

- Udfør den følgende procedure med afkølet motor.
- Hold motoren vandret, fjern oliedækslet (Fig. 1) og kontroller om der er olie i området mellem olierørets mærker for øvre og nedre grænse (Fig. 2).
- Påfyld olie op til mærket for den øvre grænse, hvis der mangler olie (oliestanden er tæt på mærket for den nedre grænse) (Fig. 3).
- Området omkring de udvendige mærker er gennemsigtigt, så oliemængden kan kontrolleres, uden at oliedækslet behøves at tages af. Men hvis olierøret bliver meget beskidt, kan det blive svært at se udefra, og oliestanden må kontrolleres vha. det trindelte afsnit inden i olierøret.
- Som reference skal der påfyldes olie ca. hver 10. time (hver 10 påfyldninger).  
Hvis olien skifter farve, eller der kommer snavs i, skal den udskiftes med ny olie. (For udskiftningsinterval og metode, se side 202)

**Anbefalet olie:** SAE 10W-30 olie under API-klassifikation, klasse SF eller højere (4-takts bilmotor)

**Oliemængde:** Cirka 0,08 l

Bemærk: Hvis motoren ikke holdes i oprejt stilling, kan olien bevæge sig rundt i motoren, og der fyldes muligvis for meget på.  
Hvis der påfyldes olie over grænsen, kan olien blive beskidt og eventuelt antændes med afgivelse af hvid røg til følge.

### Punkt 1 i Udskiftning af olie: "Oliedæksel"

- Fjern støv og snavs i nærheden af oliepåfyldningsåbningen og fjern oliedækslet.
- Sørg for at holde det aftagne oliedæksel fri for sand og støv. I modsat fald kan sand eller støv, der sidder fast på oliedækslet medføre irregulær oliecirculation eller slid på motordelene, hvilket kan forårsage problemer.

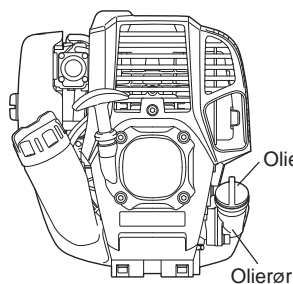


Fig. 1

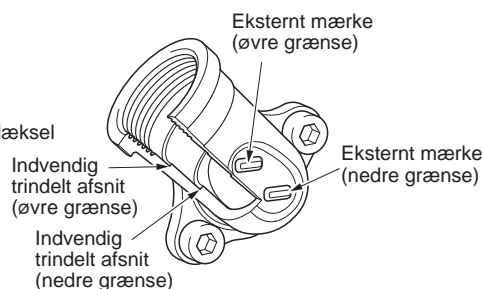


Fig. 2 Olierør

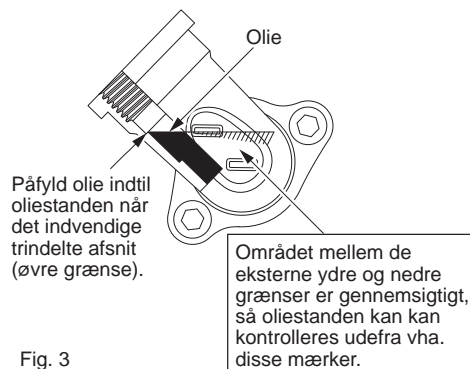
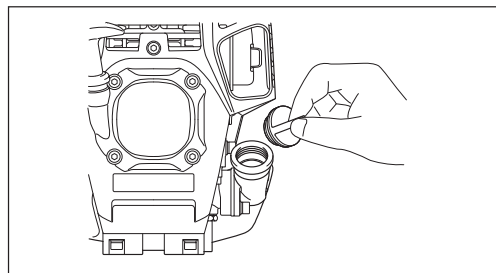
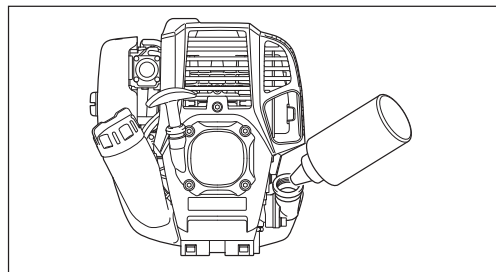


Fig. 3

- (1) Hold motoren vandret og fjern oliedækslet.



- (2) Påfyld olie op til mærket for den øverste grænse. (se Fig. 3)  
Brug en oliekanne ved påfyldning.



- (3) Stram oliedækslet ordentligt. Der kan spildes olie, hvis det ikke strammes ordentligt.

### Bemærk

- Skift ikke olie, mens motoren er i en vippet position.
- Påfyldes der olie, mens motoren er vippet, medfører det overopfyldning, hvilket forårsager olieforurening og/eller hvid røg.

### Punkt 2 i Udskiftning af olie: "Hvis der spildes olie"

- Hvis der spildes olie mellem brændstoftanken og motoren, suges olien ind gennem luftkølingsindtaget, hvilket kan forurene motoren. Sørg for at tørre spildt olie af inden start af maskinen.

## PÅFYLDNING AF BRÆNDSTOF

### Håndtering af brændstof

Det er nødvendigt at håndtere brændstof med stor forsigtighed. Brændstof kan indeholde substanser, der minder om opløsningsmidler. Påfyldning af brændstof skal udføres i et tilstrækkeligt ventileret rum eller i fri luft. Indhaler aldrig brændstofdamp og hold brændstof væk fra dig. Hvis du rører gentagne gange ved brændstof, eller i lang tid, bliver huden tør, og det kan muligvis medføre hudsygdomme eller allergi. Hvis du får brændstof i øjet, skal du rense øjet med rent vand. Hvis det stadig er irriteret, skal du kontakte en læge. Foretag ikke påfyldning af brændstof når det er mørkt eller på en ustabil overflade.

### Opbevaringsperiode for brændstof

Brændstof bør opbruges inden for 4 uger, selvom det opbevares i en særlig beholder på et sted i skyggen med god udluftning. Hvis der ikke anvendes en særlig beholder, eller hvis beholderen ikke er dækket til, kan brændstoffet nedbrydes på en dag.

### OPBEVARING AF MASKINE OG GENOPFYLDNINGSTANK

- Opbevar maskinen og tanken på et køligt sted uden for direkte sollys.
- Opbevar aldrig brændstof inde i kabinen eller i bagagerummet på en bil.

## Brændstof

Motoren er en firetakts motor. Sørg for at anvende benzin til biler (almindelig benzin eller superbenzin).

### Punkter angående brændstof

- Brug aldrig en benzinblanding der indeholder motorolie. I modsat fald vil det medføre en for stor kulophobning eller mekaniske problemer.
- Brug af gammel olie medfører startproblemer.

## Påfyldning af brændstof

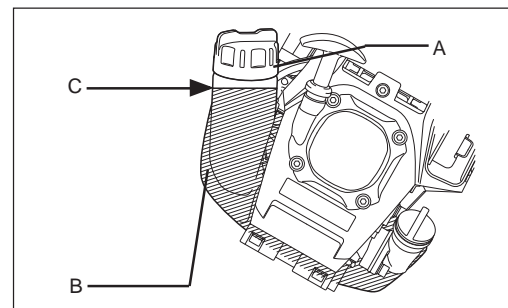
### ADVARSEL: BRANDFARLIGE STOFFER ER STRENGT FORBUDT

**FORSIGTIG:** Glem ikke at lukke brændstoftankdækslet efter påfyldning af brændstof. Start aldrig motoren med åben brændstoftankdæksel.

**Anvendt benzin:** Benzin til biler (blyfri)

1. Løsn brændstoftankdækslet (**A**) en smule for at undgå at spilde af brændstof.
2. Afmonter brændstoftankdækslet. Vip motoren så påfyldningsåbningen vender opad.
3. Påfyld omhyggeligt mens der udledes luft fra brændstoftanken (**B**). (Påfyld ikke brændstof over den øvre grænse for brændstof (**C**.)
4. Tør brændstoftankdækslet ordentligt af for at forhindre fremmedlegemer i at komme ned i brændstoftanken.
5. Efter påfyldning af brændstof skal brændstoftankdækslet strammes ordentligt til.

- Hvis der er revner eller skader på tankdækslet, skal det udskiftes.
- Tankdækslet slides med tiden. Udskift det hvert andet eller tredje år.



## PUNKTER VEDRØRENDE BETJENING OG STOPPROCEDURE

### FORSIGTIG:

Overhold de gældende bestemmelser for ulykkesforebyggelse!

### BEMÆRK:

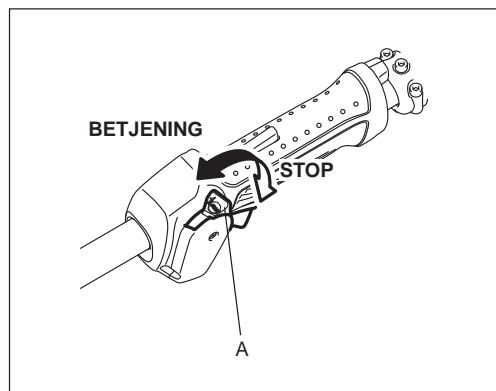
Fjern sværdsmeden inden motoren startes.

### START

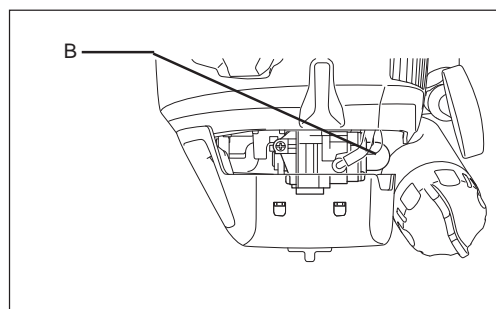
Gå mindst 3 meter væk fra stedet for brændstofpåfyldningen. Placer udstyret på et rent jordunderlag, mens du passer på, at tilbehøret ikke kommer i kontakt med jorden eller andre genstande.

### A: Koldstart

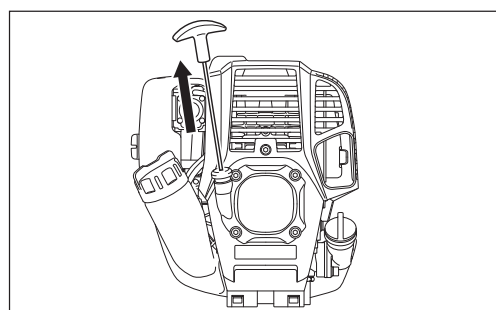
- 1) Placer maskinen på et plant område.
- 2) Sæt I-O kontakten (**A**) på BETJENING.



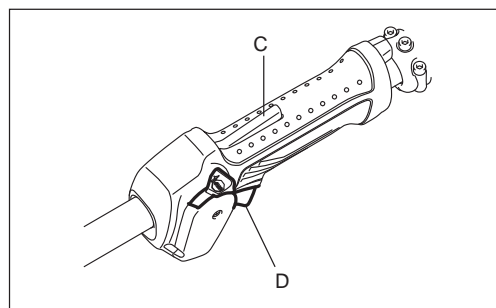
- 3) Tipper  
Fortsæt med at trykke på tipperen (**B**) indtil der kommer brændstof ind i tipperen.  
(Normalt kommer der brændstof ind i tipperen efter 7 til 10 tryk.)  
Hvis der trykkes for meget på tipperen, vender det overskydende brændstof tilbage til brændstoftanken.



- 4) Rekyllstarter  
Træk forsigtigt i starthåndtaget indtil det bliver hårdt at trække i (kompressionspunktet). Før derefter starthåndtaget tilbage, og træk hårdt i det.  
Træk aldrig snoren helt ud. Når først starthåndtaget er trukket, må du aldrig slippe med det samme. Hold i starthåndtaget indtil det vender tilbage til den oprindelige position.



- 5) Håndtaget er udstyret med lås-fra-mekanismen (**C**) for at forhindre utilsigtet start. For at trykke ind på gashåndtaget (**D**) skal du gribe fat om håndtaget, så låsen frigøres (lås-fra-knappen trykkes ind med håndkraft).



- 6) Opvarmning  
Fortsæt opvarmning i 2 til 3 minutter.

Bemærk: Hvis der er opstået et for stort brændstofindtag, skal du fjerne tændrøret og trække langsomt i starthåndtaget for at fjerne det overskydende brændstof. Tør også tændrørets elektrodedel af.

## Vær opmærksom på følgende under arbejdet:

Hvis gashåndtaget åbnes helt op, uden der er nogen belastning, stiger motoromdrejningerne til 10.000 min<sup>-1</sup> eller mere. Betjen aldrig motoren ved en højere hastighed end nødvendigt, og hold en omtrentlig hastighed på 6.000 - 8.500 min<sup>-1</sup>.

## B: Opstart efter opvarmning

- 1) Tryk gentagne gange på tipperen.
- 2) Hold gashåndtaget på tomgangspositionen.
- 3) Træk hårdt i rekylstarteren.
- 4) Hvis det er svært at starte motoren, skal du åbne gashåndtaget med cirka en 1/3. Vær opmærksom på tilbehøret der muligvis roterer.

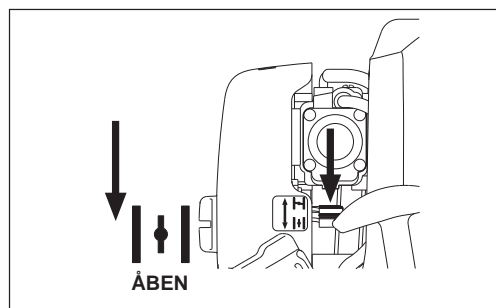
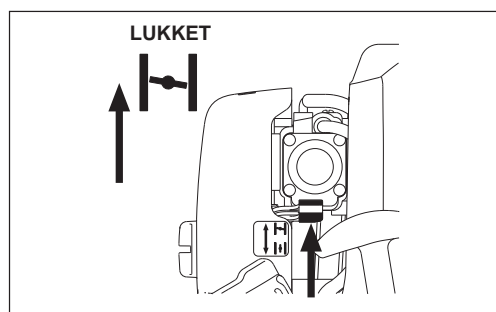
Når det er vanskeligt at starte motoren som f.eks. om vinteren

Betjen chokerhåndtaget vha. den følgende procedure, når motoren startes.

- Efter udførelse af starttrinene 1) til 3) skal du indstille chokerhåndtaget på LUKKET-positionen.
- Udfør starttrin 4) og start motoren.
- Når først motoren starter, indstilles chokerhåndtaget på ÅBEN-positionen.
- Udfør starttrin 5) og gennemfør opvarmningen.

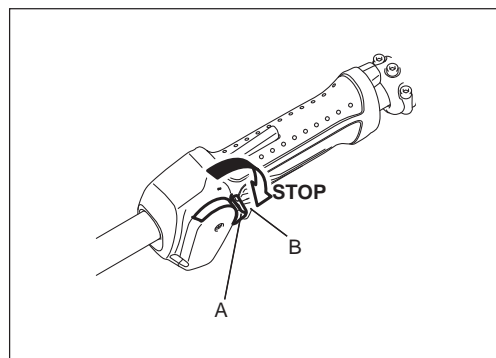
**FORSIGTIG:** Hvis der høres et knald (eksploderende lyd), og motoren stopper, eller den netop startede motor går i stå, inden chokerhåndtaget betjenes, sættes chokerhåndtaget tilbage på ÅBEN-positionen, hvorefter du skal trække et par gange i starthåndtaget igen for at starte motoren.

**FORSIGTIG:** Hvis chokerhåndtaget lades være i LUKKET-positionen, og der blot trækkes gentagne gange i starthåndtaget, suges der for meget brændstof ind, og det bliver svært at starte motoren.



## STOPPROCEDURE

- 1) Slip gashåndtaget (**B**) helt, og når motorens omdrejninger er faldet, skal du skubbe I-O kontakten (**A**) over på STOP for at standse motoren.
- 2) Vær opmærksom på at tilbehøret muligvis ikke stopper øjeblikkeligt, og giv det tid til at bremse helt ned.

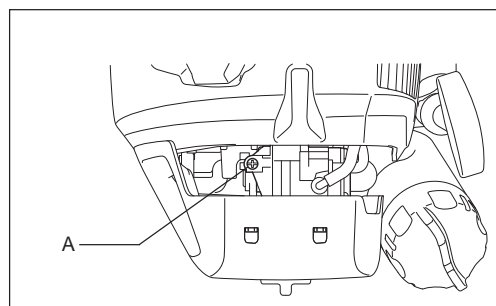


## JUSTERING AF OMDREJNINGER VED LAV HASTIGHED (TOMGANG)

Når det er nødvendigt at justere omdrejningerne ved lav hastighed (tomgang), skal du justere på karburatorens justeringsskrue (**A**).

## KONTROL AF OMDREJNINGER VED LAV HASTIGHED

- Indstil omdrejningerne ved lav hastighed til 3.000 min<sup>-1</sup>. Hvis det er svært at ændre omdrejningshastigheden, drejes der på justeringsskruen med en ligekærvet skruetrækker.
- Drej justeringsskruen til højre og motoromdrejningerne forøges. Drej justeringsskruen til venstre for at sænke motoromdrejningerne.
- Karburatoren justeres almindeligvis inden afsending. Hvis det er nødvendigt at justere den, kontakt venligst et autoriseret servicecenter.





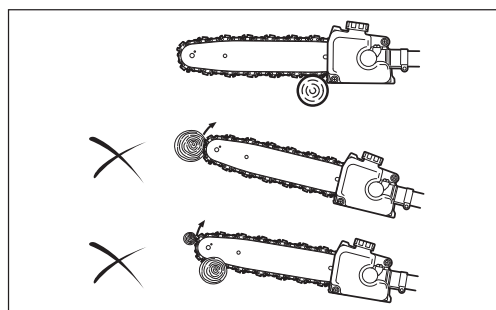
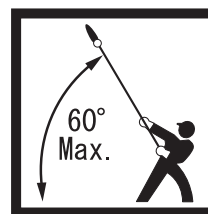
## BETJENING

### Stående position

- Stå på en stabil overflade. Sørg for at vinklen på stangsaven bliver 60° i forhold til den vandrette flade.
- Sav de nedre grene først, så grenene lettere falder ned.
- Sørg altid for at have en flugtrute i tilfælde af, at en oversavet gren falder mod operatøren.

### Metode

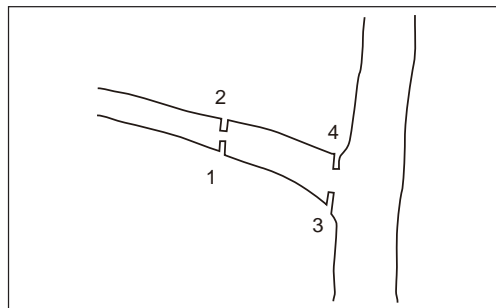
- Start motoren og tryk ind på gashåndtaget, indtil savkæden når dens fulde hastighed.
- Tryk savkæden forsigtigt ind mod grenen. Anvend ikke kræfter på udstyret, da det muligvis kan beskadige udstyret.
- Anvend aldrig spidsen af sværdet til savning. Ellers kan der opstå farlige tilbageslag, og det kan medføre personskader.



### Tips til savning af tykke grene

Brug den følgende metode, når du saver en tyk gren.

1. Lav et lille indhak på undersiden af grenen, så der er en lille smule afstand til det sted, hvor du har til hensigt at save.
2. Sav grenen af fra oversiden, hvor du foretog indhakkene.
3. Lav endnu et lille indhak på undersiden af grenen, på det sted hvor du har til hensigt at save.
4. Sav, hvor du har til hensigt at save, fra oversiden.



## VEDLIGEHOLDELSSESINSTRUKTIONER

**FORSIGTIG:** Inden du udfører noget arbejde på maskinen, skal du altid stoppe motoren og fjerne tændrørshætten fra tændrøret (se "kontrol af tændrøret").

Bær altid beskyttelseshandsker!

Læg altid udstyret ned ved eftersyn eller vedligeholdelse. Samling eller justering af udstyret i en oprejst position kan medføre alvorlig tilskadekomst.

Sæt altid sværdsmeden på under vedligeholdelse.

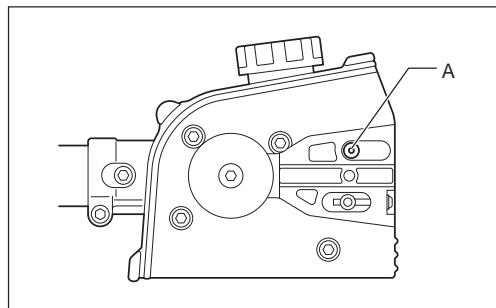
Udfør følgende vedligeholdelse med jævne mellemrum for at sikre en lang brugslevetid og for at undgå skader på udstyret.

### Dagligt eftersyn og vedligeholdelse

- Kontroller inden brug maskinen for løse skruer eller manglende dele. Kontroller især at et specificeret tilbehør er ordentligt monteret.
- Inden anvendelse skal du altid kontrollere for tilstopning af luftafkølingskanalen og cylinderribberne. Rengør dem om nødvendigt.
- Udfør dagligt følgende vedligeholdelse efter brug:
  - Rengør udstyret udvendigt og undersøg for skader.
  - Rens luftfilteret. Rens filteret flere gange om dagen, når du arbejder i ekstremt støvede omgivelser.
  - Kontroller, om der er tilstrækkelig forskel mellem tomgang- og arbejdshastigheder for at sikre, at tilbehøret ikke bevæger sig, når motoren er i tomgang (hvis det er nødvendigt, skal du reducere tomgangshastigheden). Hvis værktøjet stadig kører under tomgang, skal du konsultere den nærmeste godkendte serviceagent.
- Kontroller funktionen af I-O kontakten, lås-fra-mekanismen og gashåndtaget.

## Rengøring af tilførselsåbningen for kædeolie

Rengør dagligt tilførselsåbningen for kædeolie (A). Du skal fjerne sværdholderen og sværdet for at få adgang til åbningen.

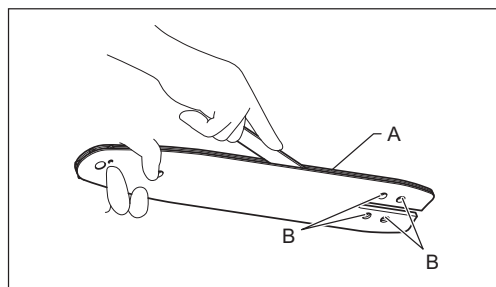


## Rengøring og eftersyn af sværdet

Rengør sværdet dagligt. Fjern savsmuld fra rillen (A) og tilførselsåbningen for kædeolie (B).

For at undgå ensidigt slid af sværdet, skal det vendes om hver gang, du udskifter eller sliber savkæden.

Hvis rillen er slidt, bøjet, revnet eller deform, skal du udskifte sværdet.



## Eftersyn af savkæden

Når du føler at savkæden er slidt, deform eller revnet, eller du behøver at bruge flere kræfter for at save, skal du udskifte den eller bede et autoriseret Makita-servicecenter om at slibe den.

## Smøring af bevægelige dele

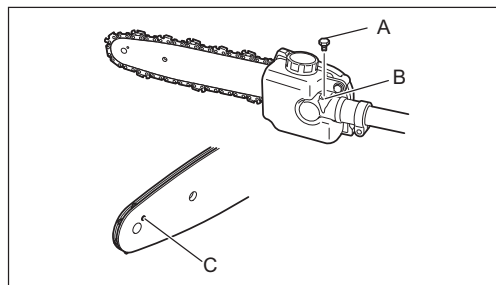
**BEMÆRK:** Følg instruktionen for smøringshyppighed og smørelsemængde. Ellers kan utilstrækkelig smøring medføre beskadigelse af bevægelige dele.

Gearkasse:

Fjern smørehulsproppen (A) og påfyld litiumbaseret smørelse gennem smørehullet (B) efter hver 25 timers anvendelse.

Sværdnæse:

Tilfør smørelse (Shell Alvania nr. 2 eller tilsvarende) gennem smørehullet (C) efter hver 10 timers anvendelse.



## UDSKIFTNING AF MOTOROLIE

Gammel motorolie forkorter drastisk levetiden for glidende og roterende dele. Sørg for at kontrollere udskiftningstid og kvantitet.



**BEMÆRK:** Generelt er motoren og motorolien stadig meget varm lige efter, at motoren er stoppet. Ved udskiftning af olien skal du sørge for, at motoren og motorolien er tilstrækkeligt afkølet. Ellers er der risiko for forbrænding.

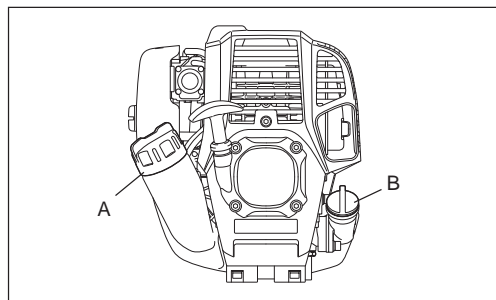
**Bemærk:** Hvis der påfyldes olie over grænsen, kan olien blive beskidt og eventuelt antændes med afgivelse af hvid røg til følge.

**Interval for udskiftning:** I starten efter 20 driftstimer, og efterfølgende efter hver 50 driftstimer

**Anbefalet olie:** SAE 10W-30 olie under API-klassifikation, klasse SF eller højere (4-takts bilmotor)

For udskiftning, udfør følgende procedure.

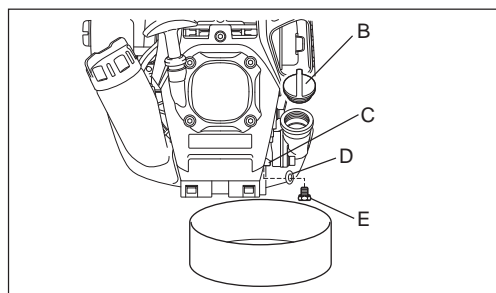
- 1) Bekræft, at brændstoftankdækslet (A) er strammet ordentligt til.
- 2) Placer en stor beholder (skål e.l.) under aftapningshullet (C).



- 3) Fjern aftapningsbolten (E) og fjern derefter oliedækslet (B) for at aftappe olien via aftapningshullet. Pas på ikke at forlægge pakningen til aftapningsbolten (D), og sørg for at de fjernede komponenter ikke snæsves til.

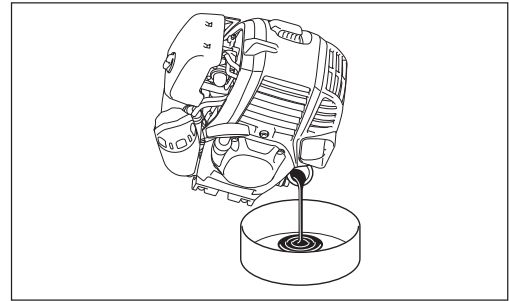
- 4) Når først al olien er blevet tappet af, skal du sætte pakningen og aftapningsbolten sammen, og stramme aftapningsbolten ordentligt til, så den ikke løsner sig og forårsager lækager.

\* Brug en klud til tørre al eventuel olie af bolt og udstyr.

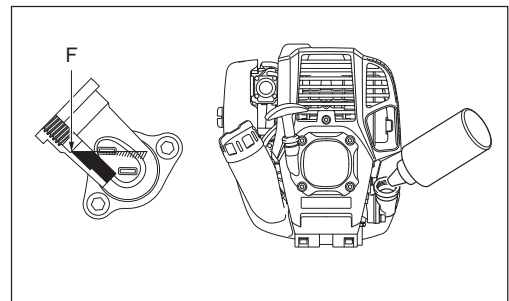
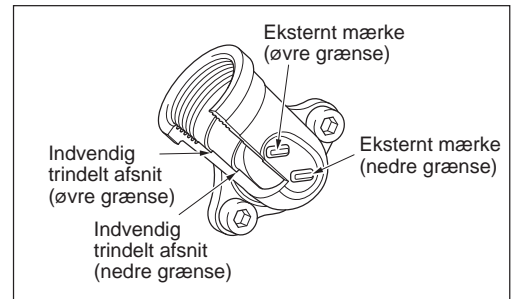


### Alternativ aftapningsmetode

Fjern oliedækslet, vip maskinen mod oliepåfyldningshullet og tap olien af. Opsaml olien i en beholder.



- 5) Hold motoren vandret og påfyld gradvist ny olie op til mærket for den øvre grænse (**F**).
- 6) Efter påfyldning skal oliedækslet fastgøres ordentligt, så det ikke løsner sig og medfører lækager. Hvis oliedækslet ikke strammes ordentligt, kan det medføre lækage.



### PUNKTER VEDRØRENDE OLIE

- Smid aldrig skiftet motorolie ud sammen med almindeligt affald, på jorden eller i kloakken. Bortskaffelse af olie er reguleret via loven. De relevante love og bestemmelser skal altid følges ved bortskaffelse af olie. Kontakt en godkendt serviceagent ved tvivlspørgsmål.
- Olien nedbrydes, selvom den ikke bruges. Udfør eftersyn og udskiftning med jævne intervaller (udskift med ny olie hver 6. måned).

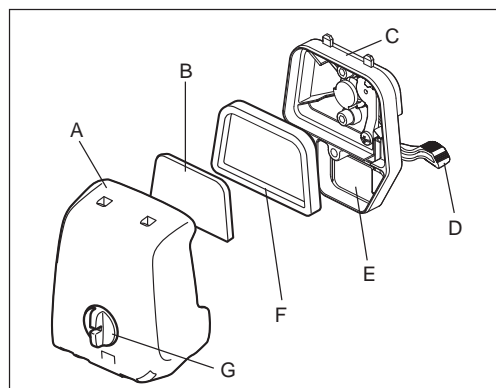
## RENGØRING AF LUFTFILTER



**FARE: BRANDFARLIGE STOFFER ER STRENGT FORBUDT**

**Interval for rengøring og eftersyn: Dagligt (hver 10. driftstime)**

- Drej chokerhåndtaget (**D**) helt over til den lukkede side og hold karburatoren fri fra støv og snavs.
- Løsn fastgørelsesbolten (**G**).
- Tag luftfilterdækslet (**A**) af ved at trække i dets underside.
- Fjern elementerne (**B**) (**F**) og bank på dem for at fjerne snavs.
- Hvis elementerne er meget beskidte:  
Tag elementerne af, dyp dem ned i varmt vand eller et neutralt rengøringsmiddel fortyndet med vand, og tør dem fuldstændigt. Undgå at klemme eller gnide dem under vask.
- Sørg for, at elementerne er helt tørre, inden du sætter dem på igen.  
Utilstrækkelig tørring af elementerne kan gøre det svært at starte.
- Tør derefter olie, der sidder omkring luftfilterdækslet og udluftningsventilen (**E**) af med en klud.
- Sæt elementet (svampen) (**B**) ind i elementet (filten) (**F**).  
Placer elementerne inde i pladen (**C**), så svampen vender mod luftfilterdækslet.
- Monter straks luftfilterdækslet og spænd det fast med fastgørelsesbolte. (Ved genmonteringen placeres den øvre tap først og derefter den nedre tap.)



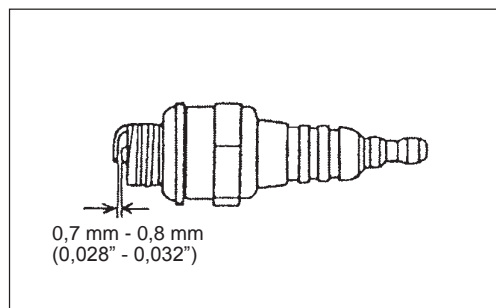
### BEMÆRK:

- Rengør elementerne flere gange om dagen, hvis der sætter sig meget støv i det. Beskidte elementer reducerer motorydelsen og besværliggør start af motoren.
- Fjern olie på elementerne. Hvis maskinen fortsat anvendes, uden at elementerne rengøres for olie, kan olien i luftfilteret muligvis falde ud og resultere i forurening af miljøet.
- Placer ikke elementerne på jorden eller på et beskidt sted. Ellers kan der sætte sig skidt eller snavs på dem, hvilket kan beskadige motoren.
- Brug aldrig brændstof til rensning af elementerne. Brændstoffet kan ødelægge dem.

## KONTROL AF TÆNDRØRET

- Anvend kun den medfølgende skiftenøgle til at afmontere og montere tændrøret med.
- Afstanden mellem tændrørets to elektroder bør være på 0,7 - 0,8 mm (0,028" - 0,032"). Hvis afstanden er for stor eller for lille, skal du justere den. Hvis tændrøret er sodet til eller beskidt, skal du rense det ordentligt og eller udskifte det.

**FORSIGTIG:** Rør aldrig ved tændrørets stikforbindelse, mens motoren kører (der er risiko for elektrisk stød med høj spænding).



## RENGØRING AF BRÆNDSTOFFILTER

### ADVARSEL: BRANDFARLIGE STOFFER ER STRENGT FORBUDT

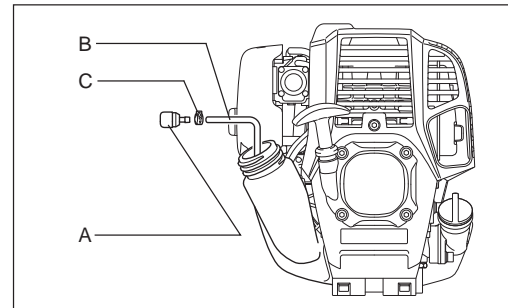
Interval for rengøring og eftersyn: Hver måned (hver 50. driftstime)

#### Sugehoved i brændstoftanken

Kontroller jævnligt brændstoffilteret (A). For at kontrollere brændstoffilteret skal du følge trinene nedenfor:

- (1) Tag brændstoftankdækslet af og tøm tanken for brændstof. Kontroller tanken indvendigt for fremmedlegemer. Fjern dem, hvis der er nogen.
- (2) Brug en trådkrog til at trække sugehovedet ud gennem tankåbningen.
- (3) Hvis brændstoffilteret er lettere tilstoppet, skal det rengøres. Rengør det ved at ryste det forsigtigt og banke det let i brændstof. For at undgå beskadigelse skal du ikke klemme eller gnide det. Det brændstof, der anvendes til rengøring, skal bortskaffes i henhold til den metode, som er anført i bestemmelserne for dit land.  
Hvis brændstoffilteret bliver hårdt eller meget tilstoppet, skal det udskiftes.
- (4) Efter kontrol, rengøring eller udskiftning skal du sætte brændstoffilteret ind i brændstofrøret (B) og fastgøre det med spændebåndet (C). Tryk brændstoffilteret helt ind i bunden af brændstoftanken.

Et tilstoppet eller beskadiget brændstoffilter kan medføre utilstrækkelig brændstofforsyning og reducere motorkraften. Udskift brændstoffilteret mindst én gang i kvartalet for at sikre tilfredsstillende brændstofførsel til karburatoren.



## UDSKIFTNING AF BRÆNDSTOFSLANGE

### FORSIGTIG: BRANDFARLIGE STOFFER ER STRENGT FORBUDT

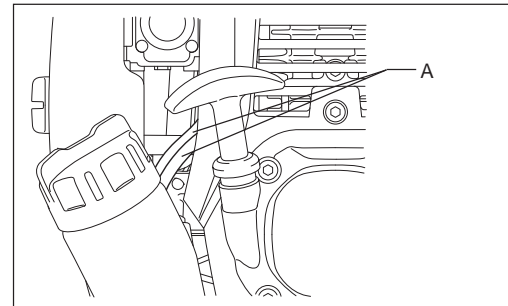
Interval for rengøring og eftersyn: Dagligt (hver 10. driftstime)

Udskiftning: Årligt (hver 200. driftstime)

Udskift brændstofslangen (A) hvert år uanset antallet af driftstimer.

Brændstoflækage kan føre til brand.

Hvis der opdages utætheder under inspektion, skal brændstofslangen straks udskiftes.



## EFTERSYN AF BOLTE, MØTRIKKER OG SKRUER

- Efterspænd løse bolte, møtrikker osv.
- Kontroller for brændstof- og olielækage.
- Udskift beskadigede dele med nye for sikker betjening.

## RENGØRING AF DELE

- Hold altid motoren ren.
- Hold altid cylinderribberne fri for støv og snavs. Støv eller snavs der sidder fast på ribberne kan forårsage stempelstop.

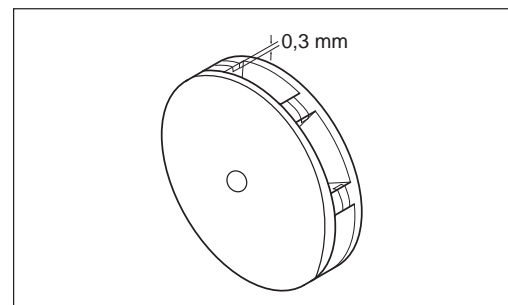
## UDSKIFTNING AF TÆTNINGER OG PAKNINGER

Når maskinen samles igen efter at have været adskilt, skal du sørge for at udskifte tætningerne og pakningerne med nye.

Alt vedligeholdelses- eller justeringsarbejde, der ikke er inkluderet og beskrevet i denne brugsanvisning, må kun udføres af autoriserede serviceagenter.

## EFTERSYN AF KÆDEHJUL

Kontroller kædehjulet for slid efter hver 50 timers brug. Udskift det, hvis slidmærkerne bliver 0,3 mm eller dybere.



## Slibning af savkæden

### Slib savkæden, når:

- Der frembringes meget savsmuld, når der skæres i fugtigt træ.
- Kæden har svært ved at skære i træet, også selvom der trykkes hårdt på saven.
- Skærekanten er tydeligt beskadiget.
- Saven trækker til venstre eller højre i træet. Årsagen til denne virkemåde er, at savkæden er ujævnt slebet, eller at den ene side er beskadiget.

### Slib jævnlige savkæden, men fjern kun en lille smule materiale ad gangen.

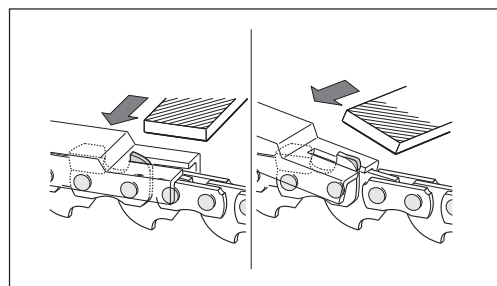
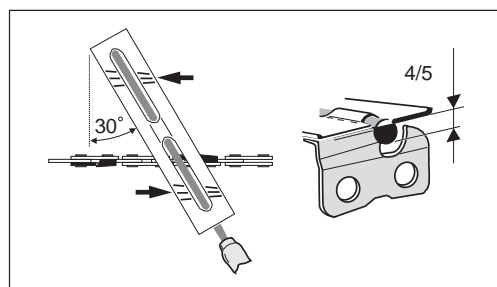
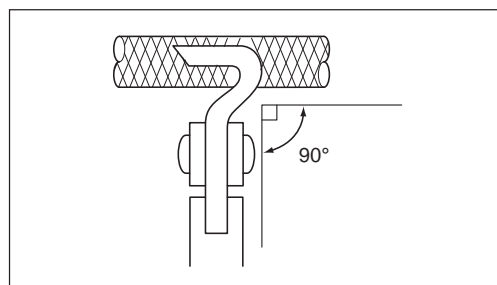
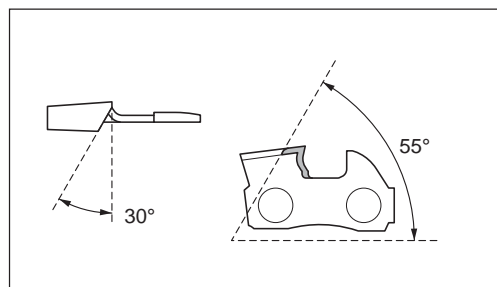
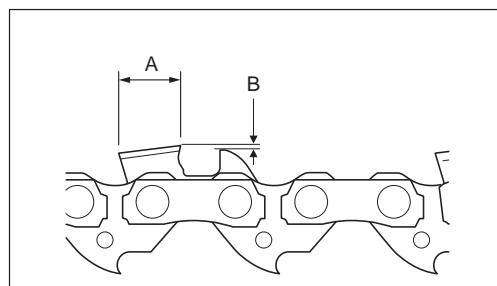
Ved rutineslibning er to eller tre strøg med en fil som regel tilstrækkeligt. Når savkæden er blevet slebet adskillige gange, skal den slibes på et autoriseret MAKITA-servicecenter.

### Slibningskriterier:

- Alle skærlængder (**A**) skal være ens. Hvis skærene har forskellige længder, kører kæden ikke jævnt, hvilket kan medføre, at kæden knækker.
  - Tykkelsen af spånerne bestemmes af afstanden mellem dybdemåleren (afrundet spids) og den skærende kant (**B**).
  - De bedste saverresultater opnås med følgende afstand mellem skærekanten og dybdemåleren.  
Savsværd 91VXL: 0,64 mm (0,025")
- ⚠ ADVARSEL:** Risikoen for tilbageslag forøges, hvis afstanden er for stor.
- Slibningsvinklen på 30° skal være den samme på alle skær. Forskellige vinkler får kæden til at køre ujævnt og ustabil, forøger sliddet og medfører, at kæden knækker.
  - Sidepladevinklen for skæret bestemmes af gennemtrængningsdybden af den runde fil. Hvis den angivne fil bruges korrekt, fremkommer den korrekte sidepladevinkel automatisk.
  - Korrekt vinkel for hver enkelt savkæde er som følger:  
Savsværd 91VXL: 55°

### Fil og filføring

- Brug en særlig rundfil (fås som tilbehør) til savkæder til slibning af kæden. Normale rundfile kan ikke anvendes.
- Diameteren på rundfilen til hver enkelt savkæde er som følger:  
Savsværd 91VXL: 4,0 mm (5/32")
- Filen må kun berøre skæret på det fremadrettede strøg. Løft filen fra skæret på tilbagestrøget.
- Slib det korteste skær først. Derefter bliver længden på det korteste skær standarden for alle andre skær på savkæden.
- Før filen som vist.
- Filen kan føres lettere, hvis der anvendes en filholder (fås som tilbehør). Filholderen har mærker for den korrekte slibningsvinkel på 30° (juster mærkerne, så de er parallelle med savkæden) og begrænser gennemtrængningsdybden (til 4/5 af filens diameter).
- Når kæden er slebet, skal du kontrollere dybdemålerens højde ved hjælp af kædemåleværktøjet (fås som tilbehør).
- Fjern alt udstikkende materiale, uanset hvor småt det er, med en særlig fladfil (fås som tilbehør).
- Afrund forsiden af dybdemåleren igen.

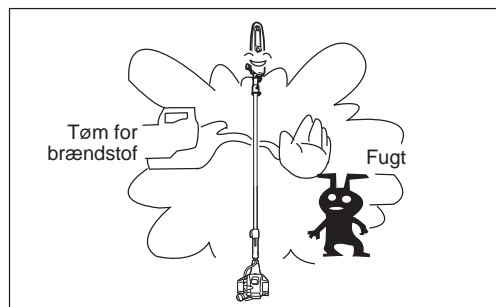




**ADVARSEL: Når brændstoffet tømmes af, skal du sørge for at stoppe maskinen, så motoren køler af.  
Motoren er stadig varm, lige efter motoren er stoppet. Vent til den er kølet af, ellers kan den muligvis forårsage forbrændinger eller brand.**

Når maskinen ikke skal anvendes i længere tid, skal du udføre følgende:

- Tøm brændstoftanken og karburatoren for brændstof i henhold til den følgende procedure:
  - 1) Tag brændstoftankdækslet af og tøm alt brændstoffet ud. Hvis der er fremmedlegemer/snavs tilbage i brændstoftanken, skal det fjernes fuldstændigt.
  - 2) Træk brændstoffilteret ud gennem påfyldningsåbningen med en metaltråd.
  - 3) Tryk på tipperen indtil brændstoffet er tømt ud fra den, og udtøm derefter det brændstof der kom ind brændstoftanken.
  - 4) Placer filteret tilbage i brændstoftanken og stram tankdækslet ordentligt til.
  - 5) Lad derefter motoren køre indtil den stopper.
- Tøm al kædeolien af.
- Tag savkæden og sværdet af.
- Rengør sværdets føringsspor.
- Smør savkæden og sværdet let.
- Fjern tændrøret og dryp adskillige dråber motorolie ned gennem tændrørshullet.
- Træk forsigtigt i starthåndtaget så motorolien spredes ud i motoren, og sæt tændrøret på.
- Maskinen bør generelt opbevares i vandret position. Hvis det ikke er muligt, skal maskinen placeres med motorenheden under skæreværktøjet. Ellers kan der lække olie indefra.
- Sørg altid for at opbevare maskinen på et sikkert sted for at forhindre maskinskader og personskader.
- Opbevar det udtømte brændstof i særlig beholder på et sted i skygge med god ventilation.



### Bemærk efter lang tids opbevaring

- Inden start efter lang tids opbevaring skal du sørge for at udskifte motorolien (se "UDSKIFTNING AF MOTOROLIE"). Olien nedbrydes, mens maskinen ikke anvendes.

### Lokalisering af fejl

Fejl	System	Observation	Årsag
Motoren starter ikke, eller har svært ved det	Tænding	Tændingsgnist OK	Fejl i brændstofførløslin eller kompressionssystemet, mekanisk fejl
		Ingen tændingsgnist	Betjening af STOP-kontakten, fejl i ledningsnettet eller kortslutning, tændrør eller forbindelsesstik defekt, fejl i tændmodul
	Brændstofførløsel	Brændstoftank fuld	Forkert chokerposition, karburator defekt, brændstofslange bøjet eller blokeret, brændstof beskidt
	Kompression	Ingen kompression ved træk	Cylinderbundpakning defekt, beskadigede krumtapakselpakninger, cylinder eller stempelringe beskadigede eller tændrørspakning ikke tæt
Problemer ved varmstart	Mekanisk fejl	Starter griber ikke fat	Starterfjederen er i stykker, dele inde i motoren er i stykker
		Fuld tank, med tændgnist	Snavset karburator, få den rensset
Motor starter, men dør	Brændstofførløsel	Brændstof i tanken	Forkert tomgangsjustering, karburator snavset  Brændstoftankens udluftningsventil defekt, brændstofslangen afbrudt, kabel eller STOP-kontakt defekt
Manglende ydeevne	Flere systemer kan være påvirket samtidigt	Dårlig motortomgang	Luftfilter snavset, karburator snavset, lyddæmper tilstoppet, udstødningskanal i cylinderen tilstoppet

Del \ Driftstid		Inden brug	Efter smøring	Dagligt (10 t)	25 t	50 t	200 t	Sluk/pause
Hele enheden	Efterse visuelt	○						
Motorolie	Efterse	○						
	Udskift					○*1		
Fastgørende dele (bolte, møtrikker)	Efterse	○						
Brændstoftank	Efterse	○						
	Tøm for brændstof							○*3
Gaskontrol	Kontroller funktion	○	○					
Stop-kontakt	Kontroller funktion	○	○					
Tomgangshastighed	Efterse/juster			○				
Luftfilter	Rengør			○				
Tændrør	Efterse			○				
Luftafkølingskanal	Rengør/efterse			○				
Brændstofslange	Efterse			○				
	Udskift						◎*2	
Brændstoffilter	Rengør/udskift					○		
Ventilafstand (indsugningsventil og udstødningsventil)	Efterse/juster						◎*2	
Motoreftersyn							◎*2	
Karburator	Tøm for brændstof							○*3
Tilførselsåbning for kædeolie	Rengør			○				
Sværd	Rengør rillen og tilførselsåbningen for kædeolie			○				
	Efterse			○				
	Tilfør smøremiddel			○				
Gearkasse	Tilfør smøremiddel				○			
Kædehjul	Efterse					○		
Savkæde	Udskift eller bed om slibning							○*4

\*1 Foretag første udskiftning efter 20 timers brug.

\*2 Bed et autoriseret servicecenter om at foretage eftersynet ved 200 driftstimer.

\*3 Efter tømning af brændstoftanken skal du lade motoren fortsætte med at køre og tømme karburatoren for brændstof.

\*4 Om nødvendigt.



## FEJLFINDING

Kontroller selv for fejl, inden du anmoder om reparation. Hvis du finder noget unormalt, skal du kontrollere maskinen i henhold til beskrivelsen i denne brugsanvisning. Undlad at pille ved eller afmontere dele i strid med beskrivelsen. Kontakt en godkendt serviceagent eller lokal forhandler.

Problem	Sandsynlig årsag (funktionsfejl)	Afhjælpning
Motoren starter ikke	Tipperen er ikke blevet anvendt.	Tryk 7 til 10 gange.
	Langsom træk hastighed ved træk i startersnoren.	Træk hårdt til.
	Mangel på brændstof.	Påfyld brændstof.
	Tilstoppet brændstoffilter.	Udfør rensning.
	Afbrudt brændstofslange.	Tilslut brændstofslangen ordentligt.
	Bøjet brændstofslange.	Ret brændstofslangen ud.
	Gammelt brændstof.	Gammelt brændstof gør det svært at starte. Udskift med nyt brændstof. (Anbefalet udskiftning: 1 måned).
	For stort brændstofindtag.	Sæt gaskontrollen til medium eller høj hastighed, og træk i starthåndtaget, indtil motoren starter. Savkæden begynder at rotere, så snart motoren starter. Vær meget opmærksom på savkæden. Hvis motoren stadig ikke starter, skal du fjerne tændrøret, tørre elektroden af, og samle dem som de oprindeligt var. Start derefter som anvist.
	Aftaget tændrørshætte.	Monter ordentligt.
	Snavset tændrør.	Udfør rensning.
	Unormal tændrørsafstand.	Juster afstanden.
	Andre problemer med tændrør.	Foretag udskiftning.
	Unormal karburator.	Anmod om eftersyn og vedligeholdelse.
	Startersnor kan ikke trækkes ud.	Anmod om eftersyn og vedligeholdelse.
Unormalt drivsystem.	Anmod om eftersyn og vedligeholdelse.	
Motoren stopper hurtigt Motorhastigheden stiger ikke	Utilstrækkelig opvarmning.	Foretag opvarmning.
	Chokerhåndtaget er sat på "LUKKET"-positionen, selvom motoren er varmet op.	Sæt den til "ÅBEN".
	Tilstoppet brændstoffilter.	Udfør rensning.
	Snavset eller tilstoppet luftfilter.	Udfør rensning.
	Unormal karburator.	Anmod om eftersyn og vedligeholdelse.
	Unormalt drivsystem.	Anmod om eftersyn og vedligeholdelse.
Der tilføres ikke kædeolie.	Olietanken er tom.	Fyld olietanken med kædeolie.
	Tilførselsåbningen for kædeolie er beskidt.	Rengør tilførselsåbningen for kædeolie på enheden og sværdet.
	Justeringskruen til kædeolietilførselshastigheden er ikke ordentligt indstillet.	Indstil justeringskruen korrekt.
Savkæden roterer ikke ↓ Stop straks motoren	Sværdet er bøjet eller beskadiget.	Udskift sværdet.
	Fremmedlegeme sidder fast i savkæde.	Fjern fremmedlegeme med stoppet motor.
	Unormalt drivsystem.	Anmod om eftersyn og vedligeholdelse.
Udstyret vibrerer unormalt ↓ Stop straks motoren	Brækket, bøjet eller udslidt sværd.	Udskift sværdet.
	Løst savkæde.	Juster savkædestramningen.
	Unormalt drivsystem.	Anmod om eftersyn og vedligeholdelse.
Savkæden stopper ikke ↓ Stop straks motoren	Høj tomgangsrotation.	Juster tomgangshastigheden.
	Problem med gaskontrolledning.	Bed et servicecenter om at foretage udskiftning.
	Unormalt drivsystem.	Anmod om eftersyn og vedligeholdelse.
Motoren stopper ikke ↓ Kør motoren i tomgang og sæt chokerhåndtaget til LUKKET	Aftaget stikforbindelse til I-O kontakten.	Monter ordentligt.
	Unormalt el-system.	Anmod om eftersyn og vedligeholdelse.

Når motoren ikke starter efter foretagelse af opvarmning:

Hvis der ikke er fundet noget unormalt blandt de kontrollerede punkter, skal du åbne gashåndtaget cirka 1/3 og starte motoren.

Σας ευχαριστούμε για την αγορά του βενζινοκίνητου τηλεσκοπικού κονταροπρίονου της MAKITA. Βρισκόμαστε στην ευχάριστη θέση να σας συστήσουμε το βενζινοκίνητο τηλεσκοπικό κονταροπρίονο της MAKITA, το οποίο είναι το αποτέλεσμα ενός μακρού προγράμματος ανάπτυξης και πολλών χρόνων γνώσεων και εμπειρίας. Παρακαλούμε διαβάστε αυτό το φυλλάδιο το οποίο αναφέρεται λεπτομερώς στα διάφορα σημεία που θα επιδείξουν την εξαιρετική του απόδοση. Αυτό θα σας βοηθήσει να αποκτήσετε τα καλύτερα δυνατά αποτελέσματα από το βενζινοκίνητο τηλεσκοπικό κονταροπρίονο της MAKITA.



## Πίνακας περιεχομένων

## Σελίδα

Σύμβολα .....	210
Οδηγίες ασφαλείας .....	211
Τεχνικά δεδομένα .....	217
Καθορισμός εξαρτημάτων .....	218
Συναρμολόγηση και ρύθμιση .....	219
Πριν από την έναρξη της λειτουργίας .....	223
Σημεία χειρισμού και τρόπος σταματήματος .....	225
Λειτουργία .....	227
Οδηγίες σέρβις .....	227
Αποθήκευση .....	233

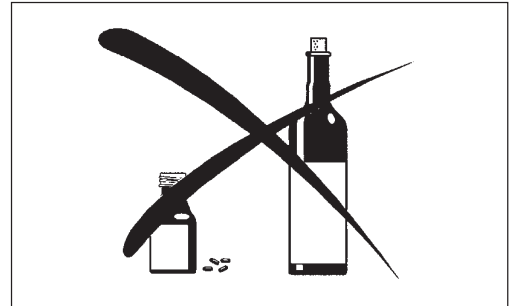
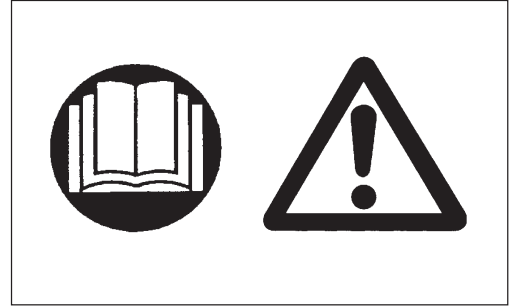
## ΣΥΜΒΟΛΑ

Χρειάζεται να προσέξετε τα παρακάτω σύμβολα όταν διαβάσετε το εγχειρίδιο οδηγιών.

	Διαβάστε και ακολουθήστε το εγχειρίδιο οδηγιών, τις προειδοποιήσεις και τις προφυλάξεις ασφαλείας!		Όχι γυμνές φλόγες!
	Δώστε ιδιαίτερη φροντίδα και προσοχή!		Λάδι αλυσίδας.
	Να φοράτε προστατευτικό κράνος και προστατευτικά ματιών και αυτιών.		Κρατήστε μακριά από την περιοχή εργασίας όλα τα άτομα και τα ζώα!
	Πρέπει να φοράτε προστατευτικά γάντια!		Καύσιμο (Βενζίνη)
	Να φοράτε ανθεκτικά παπούτσια με αντιολισθητικές σόλες.		Κινητήρας-χειροκίνητη εκκίνηση
	Κρατήστε μια απόσταση τουλάχιστον 15 μέτρων (50 ποδιών), μεταξύ της συσκευής και των παρευρισκομένων ή/και μιας ηλεκτρικής γραμμής (συμπεριλαμβανομένων τυχόν κλαδιών που βρίσκονται σε επαφή με αυτή). Κίνδυνος ηλεκτροπληξίας και/ή προσωπικού τραυματισμού.		Πρώτες βοήθειες
	Ποτέ μην κρατάτε το κονταροπρίονο σε γωνία μεγαλύτερη των 60°.		ΕΝΕΡΓΟΠΟΙΗΣΗ/ΕΚΚΙΝΗΣΗ
	Ταχύτητα αλυσίδας.		ΑΠΕΝΕΡΓΟΠΟΙΗΣΗ/ΣΤΑΜΑΤΗΜΑ
	Απαγορεύεται!		Διακοπή έκτακτης ανάγκης
	Απαγορεύεται το κάπνισμα!		

### Γενικές οδηγίες

- Για τη διασφάλιση της σωστής λειτουργίας, ο χρήστης πρέπει να διαβάσει αυτό το εγχειρίδιο οδηγιών για να εξοικειωθεί με τον χειρισμό αυτής της συσκευής. Οι χρήστες οι οποίοι δεν διαθέτουν επαρκή ενημέρωση θα θέσουν σε κίνδυνο τους εαυτούς τους και τους άλλους λόγω του ακατάλληλου χειρισμού.
- Συνιστάται να δανείζετε τη συσκευή μόνο σε άτομα που διαθέτουν αποδεδειγμένη εμπειρία με τη συσκευή. Πάντοτε να παραδίδετε το εγχειρίδιο οδηγιών.
- Οι χρήστες που τη χρησιμοποιούν για πρώτη φορά θα πρέπει να ρωτούν τον μεταπωλητή για τις βασικές οδηγίες για να εξοικειωθούν με το χειρισμό ενός μηχανοκίνητου κόφτη.
- Στα παιδιά και στα νεαρά άτομα κάτω των 18 ετών δεν θα πρέπει να τους επιτρέπεται η χρήση της συσκευής. Τα άτομα με ηλικία πάνω από 16 ετών θα μπορούσαν ωστόσο να χρησιμοποιήσουν τη συσκευή για εκπαιδευτικούς σκοπούς, μόνο κάτω από την επίβλεψη ενός έμπειρου εκπαιδευτή.
- Χρησιμοποιήστε τη συσκευή με τη μεγαλύτερη δυνατή φροντίδα και προσοχή.
- Να χειρίζεστε τη συσκευή μόνο όταν βρίσκεστε σε καλή φυσική κατάσταση. Εκτελέστε όλες τις εργασίες με ηρεμία και προσοχή. Ο χρήστης θα πρέπει να αναλάβει την ευθύνη για άλλους.
- Ποτέ να μη χρησιμοποιείτε τη συσκευή μετά από κατανάλωση αλκοόλ η φαρμάκων, ή εάν αισθάνεστε κουρασμένοι ή ασθενείς.
- Ποτέ να μην επιχειρήσετε να κάνετε τροποποιήσεις στη συσκευή.
- Οι εθνικοί κανονισμοί ενδέχεται να περιορίζουν τη χρήση της συσκευής. Ακολουθήστε τους κανονισμούς σχετικά με το χειρισμό των κονταροπριόνων και των αλυσσπριόνων στη χώρα σας.

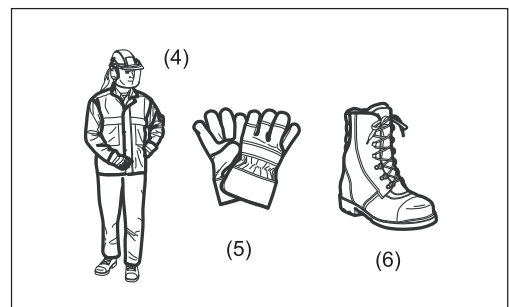
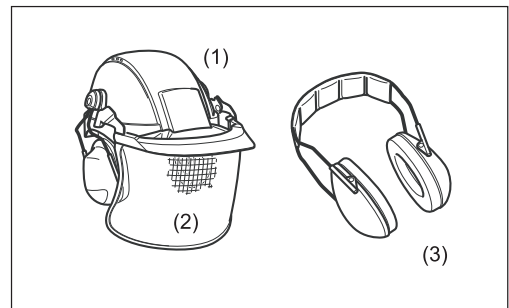


### Προοριζόμενη χρήση του μηχανήματος

Αυτή η συσκευή προορίζεται μόνο για το κλάδεμα κλαδιών και των άκρων των κλαδιών με διάμετρο μικρότερη των 15 εκατοστών. Ποτέ να μη χρησιμοποιείτε τη συσκευή για άλλο σκοπό. Η κατάχρηση της συσκευής μπορεί να προκαλέσει σοβαρό τραυματισμό.

### Προσωπικός προστατευτικός εξοπλισμός

- Ο ρουχισμός που φοράτε θα πρέπει να είναι λειτουργικός και κατάλληλος, δηλαδή να είναι εφαρμοστός αλλά να μην σας παρεμποδίζει. Μην φοράτε κοσμήματα ή ρούχα τα οποία μπορούν να μπλεχτούν μέσα στους θάμνους ή στους βάλτους.
- Για την προστασία του τραυματισμού της κεφαλής, των ματιών ή των ποδιών καθώς επίσης και την προστασία της ακοής κατά την λειτουργία, θα πρέπει να χρησιμοποιηθεί ο παρακάτω προστατευτικός εξοπλισμός και ο προστατευτικός ρουχισμός κατά τον χειρισμό της συσκευής.
- Πάντοτε να φοράτε κράνος όπου υπάρχει ο κίνδυνος της πτώσης αντικειμένων. Το κράνος (1) θα πρέπει να ελέγχεται για την ύπαρξη ζημιών κατά τακτικά χρονικά διαστήματα και θα πρέπει να αντικατασταθεί τουλάχιστον μετά από 5 χρόνια. Χρησιμοποιείτε μόνο εγκεκριμένα προστατευτικά κράνη.
- Η προσωπίδα (2) του κράνου (ή εναλλακτικά τα προστατευτικά γυαλιά) προστατεύει το πρόσωπο από τα θραύσματα και τις πέτρες που ίπτανται. Κατά τον χειρισμό, πάντοτε να φοράτε προστατευτικά γυαλιά ή προσωπίδα για την αποφυγή του τραυματισμού των ματιών.
- Φοράτε τον απαραίτητο εξοπλισμό προστασίας έναντι στο θόρυβο για την αποφυγή πρόκλησης βλάβης στην ακοή (προστατευτικά επικαλύμματα αυτιών (3), ωτοασπίδες κτλ.).
- Η φόρμα εργασίας (4) προστατεύει από τις πέτρες και τα θραύσματα που ίπτανται. Συνιστούμε ανεπιφύλακτα τη χρήση της φόρμας εργασίας από το χρήστη.
- Τα ειδικά γάντια (5) φτιαγμένα από παχύ δέρμα αποτελούν μέρος του συνιστώμενου εξοπλισμού και θα πρέπει πάντοτε να φοριούνται κατά την χρήση της συσκευής.
- Κατά τη χρήση της συσκευής, πάντοτε να φοράτε ανθεκτικά παπούτσια (6) με αντιολισθητικές σόλες. Αυτό σας προστατεύει από τραυματισμό και εξασφαλίζει στερεό πάτημα.
- Κατά το χειρισμό του αλυσσπριόνου ή κατά τη ρύθμιση της τάσης της αλυσίδας, να φοράτε προστατευτικά γάντια. Η αλυσίδα του πριονιού μπορεί να προκαλέσει έντονο κόψιμο στα γυμνά χέρια.



## Ασφάλεια στο χώρο εργασίας

- **⚠ Κίνδυνος:** Κρατήστε το κονταροπρίονο τουλάχιστον 15 μέτρα μακριά από ηλεκτρικές γραμμές και καλώδια επικοινωνίας (συμπεριλαμβανομένων όλων των κλαδιών που έρχονται σε επαφή με αυτά). Το άγγιγμα ή το πλησίασμα των γραμμών υψηλής τάσης με το κονταροπρίονο μπορεί να οδηγήσει σε θάνατο ή σοβαρό τραυματισμό. Προσέξτε τις γραμμές ηλεκτρικού ρεύματος και τους ηλεκτρικούς φράκτες γύρω από την περιοχή εργασίας πριν από την έναρξη της λειτουργίας.
- Λειτουργήστε το κονταροπρίονο μόνο υπό καλές συνθήκες ορατότητας και στο φως της ημέρας. Μην λειτουργείτε το κονταροπρίονο στο σκοτάδι ή στην ομίχλη.
- Ξεκινήστε και θέστε τον κινητήρα σε λειτουργία μόνο σε εξωτερικούς χώρους σε μια καλά αεριζόμενη περιοχή.  
Η λειτουργία σε κλειστό ή ανεπαρκώς αεριζόμενο χώρο μπορεί να οδηγήσει σε θάνατο λόγω ασφυξίας ή δηλητηρίασης από μονοξείδιο του άνθρακα.
- Κατά τη λειτουργία, ποτέ να μην στέκεστε σε μια ασταθή ή ολισθηρή επιφάνεια ή σε απότομη πλαγιά. Κατά τη χειμερινή περίοδο, δώστε προσοχή στον πάγο και στο χιόνι και πάντα να διασφαλίζετε ένα ασφαλές πάτημα.
- Κατά τη λειτουργία, κρατήστε τους παρισταμένους ή τα ζώα, τουλάχιστον 15 μέτρα μακριά από το κονταροπρίονο. Σταματήστε τον κινητήρα μόλις πλησιάζει κάποιος.
- Πριν από τη λειτουργία, εξετάστε την περιοχή εργασίας για ύπαρξη συρματοπλεγμάτων, τοίχων ή άλλων στερεών αντικειμένων. Αυτά μπορεί να καταστρέψουν την αλυσίδα του πριονιού.
- **⚠ ΠΡΟΕΙΔΟΠΟΙΗΣΗ:** Η χρήση αυτού του προϊόντος μπορεί να παράγει σκόνη που περιέχει χημικές ουσίες που μπορούν να προκαλέσουν αναπνευστικά προβλήματα ή άλλες ασθένειες. Μερικά παραδείγματα αυτών των χημικών ουσιών είναι οι ενώσεις που βρίσκονται στα εντομοκτόνα φυτοφάρμακα, στα λιπάσματα και στα ζιζανιοκτόνα. Ο κίνδυνος από την έκθεσή σας στα παραπάνω ποικίλλει ανάλογα με τη συχνότητα με την οποία εκτελείτε αυτού του είδους τις εργασίες. Για να μειώσετε την έκθεσή σας σε αυτές τις χημικές ουσίες: να εργάζεστε σε χώρο με καλό αερισμό και με εγκεκριμένο εξοπλισμό ασφάλειας, όπως προσωπίδες κατά της σκόνης που είναι ειδικά σχεδιασμένες να φιλτράρουν μικροσκοπικά σωματίδια.

## Έναρξη της λειτουργίας

- Πριν από τη συναρμολόγηση ή την προσαρμογή του εξοπλισμού, να σβήνετε τον κινητήρα και να αφαιρείτε την πίπα του μπουζί.
- Πριν από την έναρξη του κινητήρα, ελέγξτε τη συσκευή για ύπαρξη ζημιών, χαλαρές βίδες/παξιμάδια ή την ακατάλληλη συναρμολόγηση. Ακονίστε την αλυσίδα πριονιού που έχει αμβλύνει. Αν η αλυσίδα του πριονιού είναι λυγισμένη ή κατεστραμμένη, αντικαταστήστε τη. Ελέγξτε αν λειτουργούν με ευκολία όλοι οι μοχλοί χειρισμού και οι διακόπτες. Καθαρίστε και στεγνώστε τα χερούλια.
- Ποτέ μην επιχειρήσετε να ξεκινήσετε τον κινητήρα, αν η συσκευή έχει υποστεί ζημιά ή αν δεν είναι πλήρως συναρμολογημένη. Διαφορετικά μπορεί να προκληθεί σοβαρός τραυματισμός.
- Ρυθμίστε την τάση της αλυσίδας σωστά. Αναπληρώστε το λάδι της αλυσίδας, εάν είναι απαραίτητο.

## Εκκίνηση του κινητήρα

- Διασφαλίστε να μη υπάρχουν παιδιά ή άλλα άτομα στη γύρω περιοχή καθώς επίσης δώστε προσοχή στα ζώα που τυχόν βρίσκονται κοντά στην περιοχή εργασίας.
- Φορέστε τον προσωπικό προστατευτικό εξοπλισμό πριν από την εκκίνηση του κινητήρα.
- Βεβαιωθείτε ότι το εξάρτημα επισυνάπτεται στη θέση του, ο μοχλός ελέγχου λειτουργεί εύκολα και ελέγξτε για τη σωστή λειτουργία του μοχλού ασφάλισης.
- Αν η αλυσίδα του πριονιού κινείται στο ρελαντί, σταματήστε τον κινητήρα και ρυθμίστε προς τα κάτω την ταχύτητα του ρελαντί. Ρωτήστε το εξουσιοδοτημένο κέντρο σέρβις για ρύθμιση σε περίπτωση αμφιβολίας. Ελέγξτε τα χερούλια ώστε να είναι καθαρά και ξηρά και δοκιμάστε τη λειτουργία του διακόπτη εκκίνησης/σταματήματος.

Ξεκινήστε τον κινητήρα μόνο σύμφωνα με τις οδηγίες.

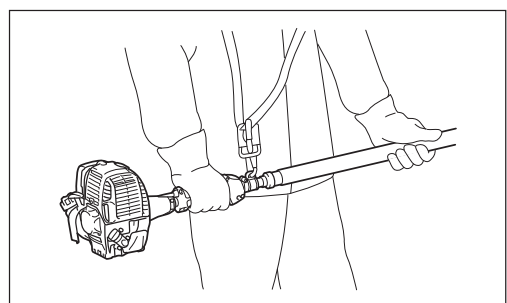
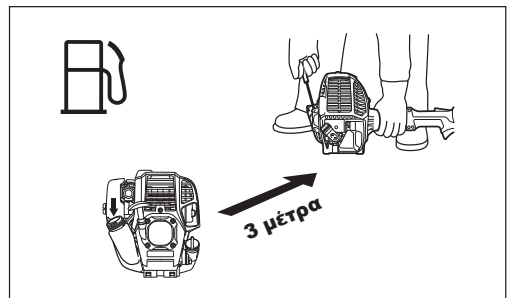
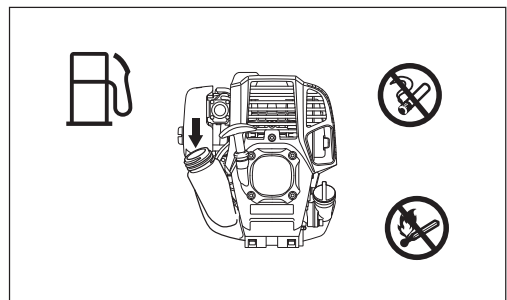
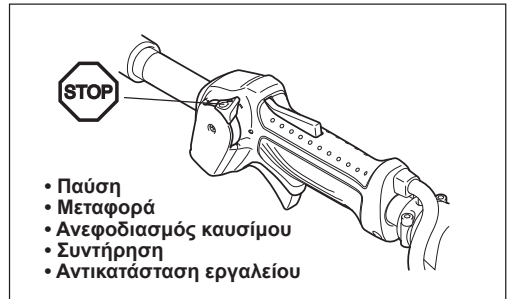
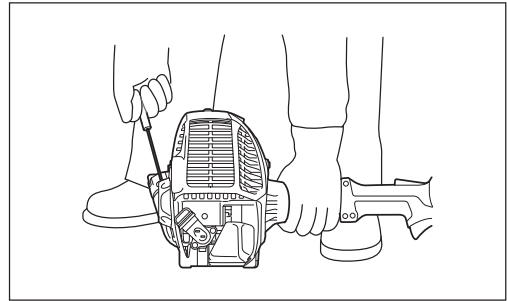
- Μην χρησιμοποιήσετε οποιοσδήποτε άλλες μεθόδους για να ξεκινήσετε τον κινητήρα!
- Τοποθετήστε τη συσκευή σε επίπεδο έδαφος. Διατηρήστε καλή ισορροπία και ασφαλές πάτημα.
- Όταν τραβάτε τη λαβή του εκκινητήρα, κρατήστε τη συσκευή σταθερά πάνω στο έδαφος με το αριστερό σας χέρι. Ποτέ μην πατάτε πάνω στο κινητήριο άξονα.
- Πριν από την έναρξη του κινητήρα, βεβαιωθείτε ότι δεν υπάρχει άνθρωπος ή ζώο στο χώρο εργασίας.
- Κατά την εκκίνηση του κινητήρα, διατηρήστε την αλυσίδα του πριονιού και την οδηγική λάμα μακριά από το σώμα σας και από άλλα αντικείμενα, συμπεριλαμβανομένου του εδάφους. Η αλυσίδα του πριονιού μπορεί να κινηθεί κατά την εκκίνηση και μπορεί να προκαλέσει σοβαρό τραυματισμό ή βλάβη στην αλυσίδα του πριονιού και/ή στην ιδιοκτησία.
- Ο κινητήρας σβήνει αμέσως στην περίπτωση που συμβούν μηχανικά προβλήματα.
- Εάν η αλυσίδα του πριονιού χτυπήσει πέτρες ή άλλα σκληρά αντικείμενα, αμέσως κλείστε τον κινητήρα και επιθεωρήστε τη συσκευή.
- Να χειρίζεστε τη συσκευή μόνο έχοντας συνδεδεμένο τον ιμάντα ώμου, ο οποίος θα πρέπει να προσαρμόζεται κατάλληλα πριν θέσετε σε λειτουργία τη συσκευή. Είναι σημαντικό να προσαρμόσετε τον ιμάντα ώμου ανάλογα με το σωματικό μέγεθος του χρήστη για την αποφυγή της εμφάνισης κόπωσης κατά τη χρήση. Ποτέ να μην κρατάτε τον κόφτη με το ένα χέρι κατά την χρήση.
- Με τον κινητήρα να λειτουργεί μόνο στο ρελαντί, συνδέστε το λουρί του ώμου. Κατά τη λειτουργία, κρατήστε σταθερά τη συσκευή στη δεξιά σας πλευρά.
- Όλα τα προστατευτικά συγκροτήματα και οι προφυλακτήρες που παρέχονται με το μηχάνημα πρέπει να χρησιμοποιούνται κατά τη λειτουργία.
- Ποτέ να μην χειρίζεστε τον κινητήρα με ένα σιγαστήρα της εξάτμισης που έχει πάθει ζημιά.
- Εκτός από την περίπτωση της έκτακτης ανάγκης, ποτέ να μην ρίξετε ή να πετάξετε τη συσκευή στο έδαφος επειδή αν το κάνετε αυτό μπορεί να προκληθεί σοβαρή ζημιά στη συσκευή.

### Ανεφοδιασμός καυσίμου

- Κατά τον ανεφοδιασμό καυσίμου σβήστε τον κινητήρα, να είστε μακριά από τις γυμνές φλόγες και να μην καπνίζετε.
- Αποφύγετε την επαφή του δέρματος με προϊόντα ορυκτών λαδιών. Μην εισπνέετε τον ατμό του καυσίμου. Πάντοτε να φοράτε προστατευτικά γάντια κατά τον ανεφοδιασμό του καυσίμου. Αλλάζετε και καθαρίζετε τον προστατευτικό ρουχισμό σε τακτικά διαστήματα.
- Δώστε προσοχή ώστε να μην ρίξετε κάτω καύσιμο ή λάδια για την αποφυγή της ρύπανσης του εδάφους (προστασία του περιβάλλοντος). Καθαρίστε τη συσκευή αμέσως αν χυθεί πάνω της καύσιμο.
- Αποφύγετε την οποιαδήποτε επαφή του καυσίμου με τα ρούχα σας. Αλλάξτε το ρουχισμό σας αμέσως μετά την πτώση του καυσίμου επάνω του (για την αποφυγή της πρόκλησης φωτιάς στα ρούχα σας).
- Επιθεωρήστε την τάπα του καυσίμου ανά τακτά διαστήματα για να διασφαλίσετε ότι μπορεί να στερεωθεί σταθερά και ότι δεν παρουσιάζει διαρροή.
- Προσεκτικά σφίξτε την τάπα του ρεζερβουάρ καυσίμου. Αλλάξτε θέση για την εκκίνηση του κινητήρα (τουλάχιστον 3 μέτρα μακριά από τον χώρο του ανεφοδιασμού).
- Ποτέ να μην ανεφοδιάζετε σε κλειστούς χώρους. Οι ατμοί του καυσίμου συσσωρεύονται στο επίπεδο του εδάφους (κίνδυνος εκρήξεων).
- Να μεταφέρετε και να αποθηκεύετε το καύσιμο σε κατάλληλα δοχεία. Φροντίστε ώστε το αποθηκευμένο καύσιμο να μην είναι προσβάσιμο στα παιδιά.

### Μέθοδος λειτουργίας

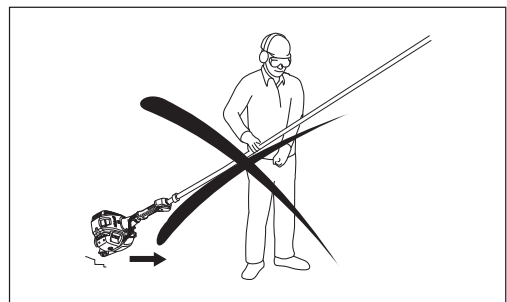
- Σε περίπτωση έκτακτης ανάγκης, σβήστε τον κινητήρα αμέσως.
- Αν αισθανθείτε οποιαδήποτε ασυνήθιστη κατάσταση (π.χ. θόρυβος, δονήσεις) κατά τη λειτουργία, σβήστε τον κινητήρα. Μην χρησιμοποιείτε τη συσκευή μέχρι να αναγνωρισθεί και να επιλυθεί το πρόβλημα.
- Η αλυσίδα του πριονιού συνεχίζει να κινείται για σύντομο χρονικό διάστημα, μετά την απελευθέρωση της σκανδάλης του γκαζιού. Μη βιαστείτε να ακουμπήσετε την αλυσίδα του πριονιού.
- Κρατήστε τη μπροστινή λαβή με το αριστερό χέρι και τη πίσω λαβή με το δεξί χέρι, ανεξαρτήτως αν είστε αριστερόχειρας ή δεξιόχειρας. Πιάστε με τα δάχτυλα και τους αντίχειρές σας τις λαβές.
- Ποτέ μην επιχειρήσετε να λειτουργήσετε τη συσκευή με το ένα χέρι. Η απώλεια ελέγχου μπορεί να οδηγήσει σε σοβαρό ή θανατηφόρο τραυματισμό. Για να μειώσετε τον κίνδυνο τραυματισμού, κρατήστε τα χέρια και τα πόδια σας μακριά από τις λάμες.
- Μην τεντώνετε υπερβολικά. Να στέκεστε πάντοτε σταθερά και ισορροπημένα.
- Δώστε προσοχή στα κρυμμένα εμπόδια, όπως κούτσουρα, ρίζες και τάφροι για να μην σκοντάψετε. Αφαιρέστε τα κλαδιά που έχουν πέσει και τα άλλα αντικείμενα.
- Εάν η συσκευή χτυπήσει δυνατά κατά την πτώση, ελέγξτε την κατάσταση πριν συνεχίσετε την εργασία. Ελέγξτε το σύστημα καυσίμου για ύπαρξη διαρροής καυσίμου αλλά και τα χειριστήρια και τις διατάξεις ασφαλείας για ύπαρξη δυσλειτουργίας. Εάν υπάρχει οποιαδήποτε ζημιά ή αν έχετε αμφιβολίες, επικοινωνήστε με ένα εξουσιοδοτημένο κέντρο επισκευών της Makita για επιθεώρηση και επισκευή.



- Μην ακουμπάτε το κιβώτιο ταχυτήτων. Το κιβώτιο ταχυτήτων ζεσταίνεται κατά τη λειτουργία.
- Όταν εγκαταλείπετε τη συσκευή, ακόμη και αν πρόκειται για ένα μικρό χρονικό διάστημα, να σβήνετε πάντοτε τον κινητήρα. Αν λειτουργεί ο κινητήρας και η συσκευή βρίσκεται χωρίς εποπτεία, τότε μπορεί να χρησιμοποιηθεί από μη εξουσιοδοτημένο άτομο και να προκληθεί σοβαρό ατύχημα.
- Δώστε προσοχή στο περιβάλλον. Αποφύγετε την άσκοπη λειτουργία του γκαζιού για λιγότερη ρύπανση και εκπομπές θορύβου. Ρυθμίστε το καρμπυρατέρ σωστά.
- Κατά τη διάρκεια ή μετά τη λειτουργία, μην βάλετε τη ζεστή συσκευή επάνω σε ξηρά χόρτα και εύφλεκτα υλικά.
- Μην κρατάτε το δεξί σας χέρι πάνω από το ύψος των ώμων.
- Κατά τη λειτουργία, μην χτυπήσετε ποτέ την αλυσίδα του πριονιού πάνω σε σκληρά εμπόδια, όπως πέτρες και καρφιά. Δώστε ιδιαίτερη προσοχή κατά την κοπή κλαδιών δίπλα σε τοίχους, συρματοπλέγματα ή κάτι παρόμοιο.
- Εάν πιαστούν κλαδιά στην αλυσίδα του πριονιού, να σβήνετε πάντοτε τον κινητήρα και να αφαιρείτε την πίπα του μπουζί. Διαφορετικά η ακούσια εκκίνηση μπορεί να προκαλέσει σοβαρό τραυματισμό.
- Εάν φράξει η αλυσίδα του πριονιού, πάντοτε να σβήνετε τον κινητήρα και να αφαιρείτε την πίπα του μπουζί πριν από τον καθαρισμό.
- Η επιτάχυνση του κινητήρα με μπλοκαρισμένη την αλυσίδα του πριονιού αυξάνει το φορτίο και θα βλάψει τον κινητήρα και/ή τον συμπλέκτη.
- Πριν από την κοπή κλαδιών, καθορίστε ένα χώρο διαφυγής μακριά από το κλαδί που πέφτει. Στην αρχή, καθαρίστε τα εμπόδια όπως τα κλαδιά και τα άκρα των κλαδιών από το χώρο εργασίας. Μετακινήστε σε άλλο ασφαλές μέρος όλα τα εργαλεία και τα υλικά από την περιοχή διαφυγής.
- Πριν κόψετε τα κλαδιά και τα άκρα των κλαδιών, ελέγξτε την κατεύθυνση πτώσης τους, λαμβάνοντας υπόψη την κατάσταση των κλαδιών και των άκρων των κλαδιών, τα δέντρα που γειτνιάζουν, την κατεύθυνση του ανέμου, κ.λπ. Δώστε μεγάλη προσοχή στην κατεύθυνση πτώσης, και στην ανάκαμψη του κλαδιού που έπεσε στο έδαφος.
- Ποτέ μην κρατάτε το κονταροπρίονο υπό μια γωνία μεγαλύτερη των 60°. Διαφορετικά τα αντικείμενα που πέφτουν μπορούν να χτυπήσουν το χειριστή και να προκαλέσουν σοβαρό τραυματισμό. Ποτέ μη στέκεστε κάτω από ένα κλαδί που κόβεται.
- Δώστε προσοχή στα σπασμένα ή λυγισμένα άκρα των κλαδιών. Μπορούν να πεταχτούν προς τα πίσω κατά την κοπή, προκαλώντας απρόσμενο τραυματισμό.
- Πριν από την κοπή κλαδιών που σκοπεύετε να κάνετε, αφαιρέστε τα άκρα των κλαδιών και τα φύλλα που βρίσκονται γύρω τους. Διαφορετικά το πριόνι ενδέχεται να πιαστεί από αυτά.
- Για να αποτρέψετε να πιαστεί το πριόνι μέσα στην εγκοπή, μην αφήσετε το μοχλό του γκαζιού πριν από το τράβηγμα του πριονιού έξω από την εγκοπή.
- Αν η αλυσίδα του πριονιού πιαστεί μέσα στην εγκοπή, σταματήστε αμέσως τον κινητήρα, μετακινήστε προσεκτικά το άκρο του κλαδιού για να ανοίξει η εγκοπή και ελευθερώστε το πριόνι.
- Αποφύγετε το κλώτσημα (περιστροφική δύναμη αντίδρασης προς τον χειριστή). Για την αποφυγή του κλωτσήματος, μην χρησιμοποιήσετε ποτέ τη μύτη της οδηγητικής λάμας ή μην εκτελέσετε μια διεισδυτική κοπή. Πάντα να προσέχετε τη θέση της μύτης της οδηγητικής λάμας.
- Ελέγχετε συχνά την τάση της αλυσίδας. Κατά τον έλεγχο ή τη ρύθμιση της τάσης της αλυσίδας, να σβήνετε τον κινητήρα και να αφαιρείτε την πίπα του μπουζί. Αν η τάση είναι χαλαρή, σφίξτε.
- Να λειτουργείτε τη συσκευή με όσο το δυνατόν λιγότερο θόρυβο και μικρότερη πρόκληση ρύπανσης. Ιδιαίτερα ελέγξτε τις σωστές ρυθμίσεις του καρμπυρατέρ.
- Ποτέ να μην λειτουργείτε τη συσκευή όταν είστε ανεβασμένοι πάνω σε σκάλα.
- Ποτέ να μην σκαρφαλώνετε σε δέντρα για να εκτελέσετε εργασίες κοπής.
- Περιμένετε να φτάσει η αλυσίδα σε πλήρη ταχύτητα εργασίας πριν από την κοπή.
- Ξεκουραστείτε για να μην χάσετε τον έλεγχο λόγω κόπωσης. Σας συνιστούμε να κάνετε 10 έως 20 λεπτά διάλειμμα κάθε ώρα.

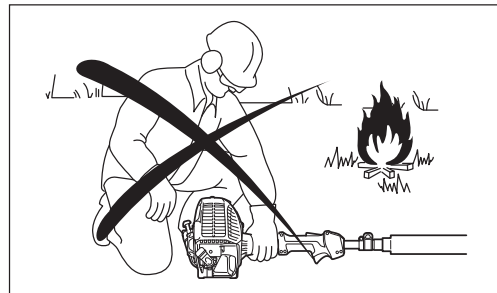
## Μεταφορά

- Πριν από τη μεταφορά της συσκευής, να σβήνετε τον κινητήρα και να αφαιρείτε την πίπα του μπουζί.
- Πάντοτε να τοποθετείτε το κάλυμμα της οδηγητικής λάμας κατά τη μεταφορά.
- Πάντοτε να χρησιμοποιείτε το προστατευτικό του εργαλείου που συμπεριλαμβάνεται στη συσκευή.
- Μεταφέρετέ το σε οριζόντια θέση κρατώντας τον άξονα. Κρατήστε το ζεστό σιγαστήρα μακριά από το σώμα σας.
- Κατά τη μεταφορά της συσκευής σε ένα όχημα, ασφαλίστε την σωστά ώστε να μην αναποδογυρίσει. Διαφορετικά μπορεί να προκληθεί διαρροή καυσίμων και φθορά της συσκευής και των άλλων αποσκευών.
- Κλείστε τον κινητήρα κατά τη μεταφορά.
- Βεβαιωθείτε ότι το ρεζερβουάρ καυσίμου είναι τελείως άδειο.
- Κατά την εκφόρτωση της συσκευής από την καρότσα, ποτέ να μην ρίξετε κάτω τον κινητήρα στο έδαφος, διαφορετικά μπορεί να προκληθεί σοβαρή βλάβη στο ρεζερβουάρ καυσίμου.
- Θυμηθείτε να σηκώνετε ολόκληρο τον κινητήρα από το έδαφος όταν μετακινείτε τη συσκευή. Το σύρσιμο του ρεζερβουάρ καυσίμου είναι πολύ επικίνδυνο και θα προκαλέσει ζημιά και διαρροή καυσίμου, προκαλώντας πιθανόν πυρκαγιά.



## Οδηγίες συντήρησης

- Επισκευάζετε τη συσκευή σας στο δικό μας εξουσιοδοτημένο κέντρο σέρβις, χρησιμοποιώντας πάντοτε αυθεντικά ανταλλακτικά. Η λανθασμένη επισκευή και η φτωχή συντήρηση μπορεί να μειώσει την διάρκεια της ωφέλιμης ζωής της συσκευής και να αυξήσει τον κίνδυνο ατυχημάτων.
- Πριν από οποιαδήποτε συντήρηση, επισκευή ή καθάρισμα της συσκευής, πάντοτε να σβήνετε τον κινητήρα και να αφαιρείτε την πίπα του μπουζί. Περιμένετε έως ότου να κρυώσει ο κινητήρας.
- Για να μειώσετε τον κίνδυνο πυρκαγιάς, ποτέ να μην εκτελείτε τη συντήρηση της συσκευής ή να την αποθηκεύετε κοντά σε εστία φωτιάς.
- Πάντοτε να φοράτε προστατευτικά γάντια κατά τον χειρισμό της αλυσίδας του πριονιού.
- Πάντοτε να καθαρίζετε τη σκόνη και τη βρωμιά από τη συσκευή. Μην χρησιμοποιήσετε ποτέ βενζίνη, βενζόλη, διαλυτικό, αλκοόλη ή κάτι παρόμοιο. Μπορεί να προκληθεί αποχρωματισμός, παραμόρφωση ή ρωγμές στα πλαστικά εξαρτήματα.
- Μετά από κάθε χρήση, σφίξτε όλες τις βίδες και τα παξιμάδια, εκτός από τις βίδες ρύθμισης.
- Κρατήστε την αλυσίδα του πριονιού αιχμηρή. Αν η αλυσίδα του πριονιού έχει αμβλυνθεί και η απόδοση κοπής είναι φτωχή, επικοινωνήστε με το εξουσιοδοτημένο κέντρο σέρβις της Makita για να την ακονίσετε ή να την αντικαταστήσετε με νέα.
- Μην επιχειρήσετε οποιαδήποτε συντήρηση ή επισκευή που δεν περιγράφονται στο εγχειρίδιο χρήσης. Επικοινωνήστε με ένα εξουσιοδοτημένο κέντρο σέρβις της Makita για τις εργασίες αυτές.
- Καθαρίζετε τη συσκευή ανά τακτά διαστήματα και ελέγχετε ότι όλες οι βίδες και τα παξιμάδια είναι καλά σφιγμένα.
- Πάντοτε να αποθηκεύετε τη συσκευή σε κλειδωμένα δωμάτια με άδειο το ρεζερβουάρ καυσίμου.



## Αποθήκευση

- Πριν την αποθήκευση της συσκευής, εκτελέστε ένα πλήρη καθαρισμό και συντήρηση. Τοποθετήστε το κάλυμμα της οδηγητικής λάμας. Αφαιρέστε την πίπα του μπουζί. Αδειάστε το καύσιμο και το λάδι της αλυσίδας αφού το ψυχθεί ο κινητήρας.
- Αποθηκεύετε τη συσκευή σε ένα ξηρό χώρο, ο οποίος βρίσκεται ψηλά ή είναι κλειδωμένος ώστε να μην είναι προσβάσιμος στα παιδιά.
- Μην στηρίζετε τη συσκευή πάνω σε άλλα αντικείμενα, όπως ένας τοίχος. Σε αντίθετη περίπτωση ενδέχεται να πέσει ξαφνικά και να προκαλέσει τραυματισμό.

Τηρήστε τις σχετικές οδηγίες αποτροπής ατυχήματος που εκδίδονται από τις σχετικές εμπορικές ενώσεις και από τις ασφαλιστικές εταιρίες. Μην εκτελέσετε καμία τροποποίηση στη συσκευή επειδή αυτό θα θέσει σε κίνδυνο την ασφάλειά σας.

Η εκτέλεση των εργασιών συντήρησης και επισκευής από το χρήστη περιορίζονται στις δραστηριότητες που περιγράφονται στο εγχειρίδιο οδηγιών. Όλες οι άλλες εργασίες πρέπει να γίνονται από ένα εξουσιοδοτημένο κέντρο σέρβις. Χρησιμοποιήστε μόνο τα αυθεντικά ανταλλακτικά και αξεσουάρ που διατίθενται και παρέχονται από τη MAKITA.

Η χρήση μη εγκεκριμένων εξαρτημάτων και εργαλείων συνεπάγεται τον αυξημένο κίνδυνο ατυχημάτων.

Η MAKITA δεν θα δεχθεί την οποιαδήποτε ευθύνη για ατυχήματα ή φθορά που προκλήθηκε από τη χρήση μη εγκεκριμένων προσαρτημάτων και συσκευών στερέωσης των προσαρτημάτων ή των αξεσουάρ.

## Πρώτες βοήθειες

Για την περίπτωση ατυχήματος, φροντίστε να υπάρχει διαθέσιμο ένα κουτί πρώτων βοηθειών στην περιοχή όπου εκτελούνται οι εργασίες κοπής. Αντικαταστήστε αμέσως το οποιοδήποτε αντικείμενο που πάρθηκε από το κουτί των πρώτων βοηθειών.

## Όταν ζητάτε βοήθεια, παρακαλώ παράσχετε τις ακόλουθες πληροφορίες:

- Τόπος του ατυχήματος
- Τι συνέβη
- Αριθμός τραυματισμένων ατόμων
- Είδος των τραυμάτων
- Το όνομά σας



## Δόνηση

- Τα άτομα με κακό κυκλοφορικό σύστημα τα οποία εκτίθενται σε υπερβολικούς κραδασμούς μπορεί να παρουσιάσουν βλάβη στα αιμοφόρα αγγεία ή στο νευρικό σύστημα. Οι κραδασμοί ενδέχεται να προκαλέσουν τα ακόλουθα συμπτώματα στα δάχτυλα, τα χέρια ή τους καρπούς: "Κοίμηση" (μούδιασμα), μυρμήγκιασμα, πόνο, σουβλιές, αλλαγή χρώματος του δέρματος. Εάν έχετε οποιαδήποτε από αυτά τα συμπτώματα, επισκεφτείτε ένα γιατρό!
- Για να περιορίσετε τον κίνδυνο της "ασθένειας των άσπρων δακτύλων", διατηρείτε τα χέρια σας ζεστά κατά τη λειτουργία και διατηρείτε σε καλή κατάσταση τον εξοπλισμό και τα προσαρτήματα.

---

## ΕΚ – Δήλωση συμμόρφωσης

Η Εταιρία Makita ως υπεύθυνος κατασκευαστής, δηλώνει ότι το παρακάτω μηχάνημα(-τα) της Makita:

Όνομασία μηχανήματος: Βενζινοκίνητο τηλεσκοπικό κονταροπρίονο

Αρ. Μοντέλου/ Τύπος: EY2650H

Προδιαγραφές: δείτε τον πίνακα με τα "ΤΕΧΝΙΚΑ ΔΕΔΟΜΕΝΑ"

αποτελούν παραγωγή σε σειρά και

**Συμμορφώνονται με τις ακόλουθες Ευρωπαϊκές Οδηγίες:**

2006/42/EK

Και κατασκευάζονται σύμφωνα με τα παρακάτω πρότυπα ή τυποποιημένα έγγραφα:

EN/ISO11680

Τα τεχνικά έγγραφα διατηρούνται από το:

Makita International Europe Ltd., Technical Department,

Michigan Drive, Tongwell, Milton Keynes, Bucks MK15 8JD, England

Ο αρ. του πιστοποιητικού εξέτασης τύπου ΕΚ ως κονταροπρίονο είναι:

4813008.13001

Η εξέταση τύπου ΕΚ σύμφωνα με την 2006/42/EK εκτελέστηκε από την:

DEKRA Testing and Certification GmbH Enderstraße 92b 01277 Dresden, Germany

Αρ. αναγνώρισης 2140

31. 10. 2013



Tomoyasu Kato

Διευθυντής

Makita Corporation

3-11-8, Sumiyoshi-cho,

Anjo, Aichi, 446-8502, JAPAN



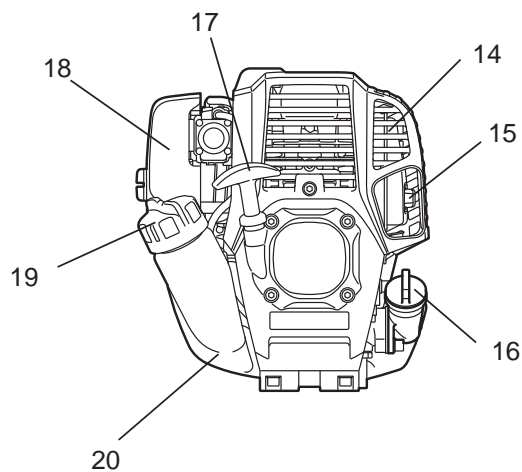
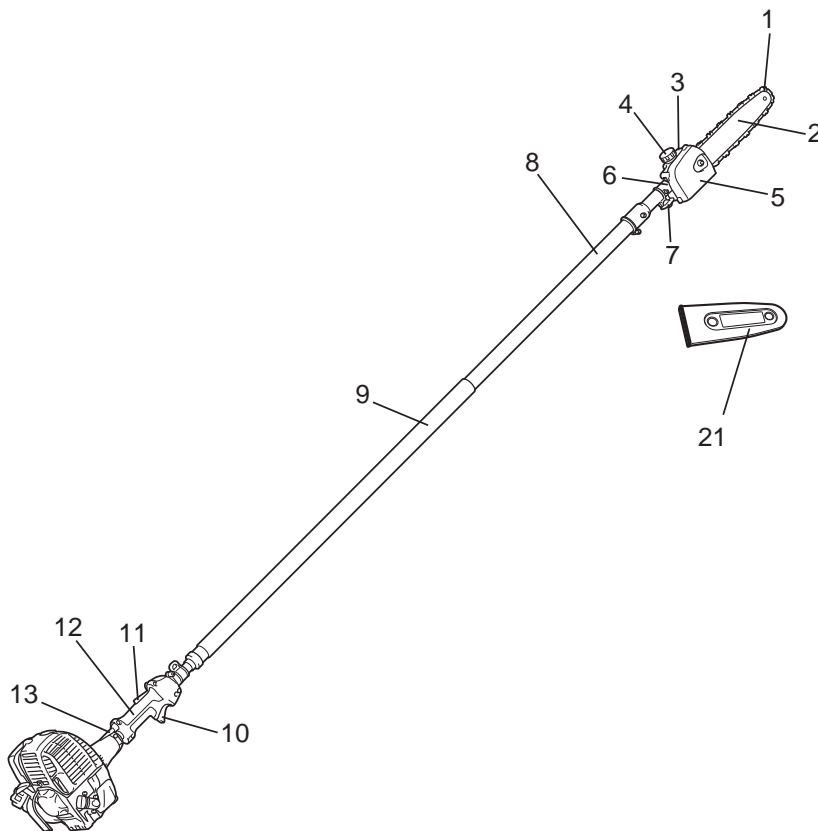
## ΤΕΧΝΙΚΑ ΔΕΔΟΜΕΝΑ

Μοντέλο		EY2650H		
Διαστάσεις Μ x Π x Υ	mm	2.720-3.920 x 223 x 240		
Βάρος	kg	7,2		
Όγκος ρεζερβουάρ καυσίμου	cm <sup>3</sup>	600		
Όγκος ρεζερβουάρ λαδιού αλυσίδας	cm <sup>3</sup>	120		
Εκτόπισμα κινητήρα	cm <sup>3</sup>	25,4		
Μέγιστη ταχύτητα αλυσίδας	m/s	21,0		
Μέγιστη απόδοση κινητήρα		0,77 kW στα 7.000 min <sup>-1</sup>		
Ταχύτητα κινητήρα στη συνιστώμενη μέγιστη ταχύτητα της ατράκτου	min <sup>-1</sup>	10.000		
Ταχύτητα ρελαντί	min <sup>-1</sup>	3.000		
Ταχύτητα εμπλοκής συμπλέκτη	min <sup>-1</sup>	4.400		
Καρμπυρατέρ		Τύπου διαφράγματος		
Μπουζί	Τύπος	NGK CMR4A		
Διάκενο ηλεκτροδίων	mm	0,7 - 0,8		
Καύσιμο		Βενζίνη αυτοκινήτου (βενζίνη)		
Λάδι κινητήρα		Λάδι κατηγορίας API κλάσης SF ή υψηλότερης ή λάδι 10W-30 του SAE (λάδι 4-χρονου κινητήρα)		
Μήκος κοπής	mm	255		
Μήκος οδηγητικής λάμας	mm (inch)	255 (10")		
Αλυσίδα πριονιού		91VXL-39E		
Βήμα αλυσίδας	inch	3/8"		
Μετρητής βάθους αλυσίδας	mm (inch)	1,3 (0,05")		
Αριθμός δοντιών γρναζιού		7		
Λάδι αλυσίδας		Γνήσιο λάδι αλυσίδας της Makita		
Αντλία λαδιού αλυσίδας		Έμβολο αντλίας (τύπος αυτολίπανσης)		
Δόνηση σύμφωνα με το ISO 22867	Δεξιά λαβή (πίσω λαβή)	a <sub>hν eq</sub> (Άξονας στην κοντύτερη θέση)	m/s <sup>2</sup>	5,3
		a <sub>hν eq</sub> (Άξονας στην μακρύτερη θέση)	m/s <sup>2</sup>	6,1
		Αβεβαιότητα K	m/s <sup>2</sup>	2,0
	Αριστερή λαβή (μπροστινή λαβή)	a <sub>hν eq</sub> (Άξονας στην κοντύτερη θέση)	m/s <sup>2</sup>	7,2
		a <sub>hν eq</sub> (Άξονας στην μακρύτερη θέση)	m/s <sup>2</sup>	8,6
		Αβεβαιότητα K	m/s <sup>2</sup>	2,0
Στάθμη ηχητικής πίεσης αντιπροσωπευτική του ISO 22868	L <sub>PA eq</sub>	dBA	89,5	
	Αβεβαιότητα K	dBA	2,5	
Στάθμη ηχητικής ισχύος αντιπροσωπευτική του ISO 22868	L <sub>WA eq</sub>	dBA	107,3	
	Αβεβαιότητα K	dBA	2,5	

- Λόγω του συνεχόμενου προγράμματος που εφαρμόζουμε για έρευνα και ανάπτυξη, τα τεχνικά χαρακτηριστικά στο παρόν έντυπο υπόκεινται σε αλλαγή χωρίς προειδοποίηση.
- Τα τεχνικά χαρακτηριστικά ενδέχεται να διαφέρουν ανάλογα με τη χώρα.

## ΚΑΘΟΡΙΣΜΟΣ ΕΞΑΡΤΗΜΑΤΩΝ

EY2650H



GR	ΚΑΘΟΡΙΣΜΟΣ ΕΞΑΡΤΗΜΑΤΩΝ
1	Αλυσίδα πριονιού
2	Οδηγητική λάμα
3	Ρεζερβουάρ λαδιού
4	Τάπα ρεζερβουάρ λαδιού
5	Στήριγμα της λάμας
6	Κιβώτιο ταχυτήτων
7	Κουμπί
8	Τηλεσκοπικός άξονας
9	Μπροσινή λαβή
10	Μοχλός γκαζιού
11	Μοχλός ασφάλισης
12	Πίσω λαβή
13	Καλώδιο χειρισμού
14	Σιγαστήρας εξάτμισης
15	Σωλήνας εξάτμισης
16	Τάπα λαδιού
17	Λαβή εκκινήτρηρα
18	Φίλτρο αέρα
19	Τάπα ρεζερβουάρ καυσίμου
20	Ρεζερβουάρ καυσίμου
21	Κάλυμμα οδηγητικής λάμας

## ΣΥΝΑΡΜΟΛΟΓΗΣΗ ΚΑΙ ΡΥΘΜΙΣΗ

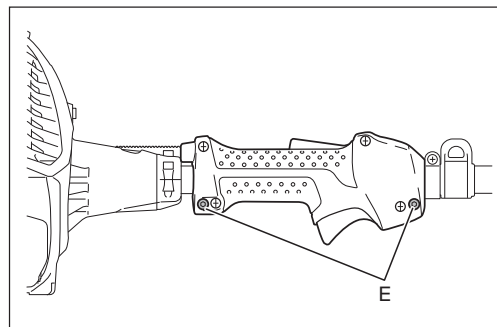
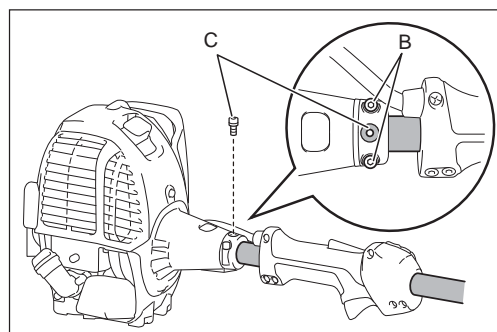
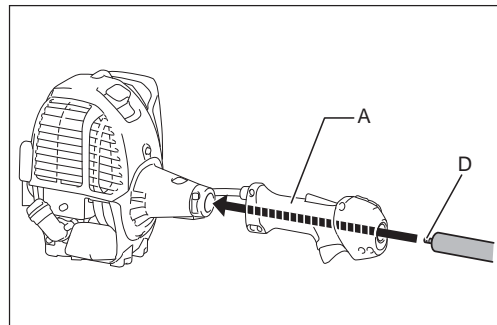
### ΠΡΟΕΙΔΟΠΟΙΗΣΗ:

- Πριν από τη συναρμολόγηση, την προσαρμογή ή τον έλεγχο του εξοπλισμού, να σβήνετε τον κινητήρα και να αφαιρέσετε την πίπα του μπουζί.
- Πάντοτε να φοράτε προστατευτικά γάντια κατά τον χειρισμό της αλυσίδας του πριονιού.
- Περιμένετε να κρυώσει η αλυσίδα του πριονιού πριν από τη συναρμολόγηση, την προσαρμογή ή τον έλεγχο. Η αλυσίδα του πριονιού θερμαίνεται πολύ κατά τη λειτουργία, και ενδέχεται να προκληθούν εγκαύματα.

### Άξονας συναρμολόγησης και κιβώτιο συμπλέκτη

Συναρμολογήστε τον άξονα με την πίσω λαβή και τη μονάδα του κινητήρα ως εξής:

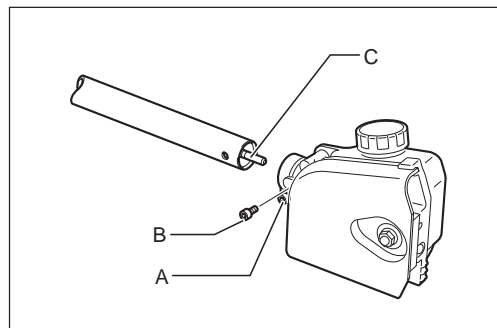
1. Εισάγετε τον άξονα μέσα από την πίσω λαβή (A).
2. Ξεσφίξτε τα δύο μπουλόνια στερέωσης (B) και αφαιρέστε το κεντρικό μπουλόνι (C) στη θήκη του συμπλέκτη.
3. Εισάγετε τον άξονα μέσα στη θήκη του συμπλέκτη. Αν είναι δύσκολο να τον εισάγετε πλήρως, γυρίστε το πολύσφηνο (D) λίγο.
4. Ευθυγραμμίστε την οπή στον άξονα με την οπή στο κεντρικό μπουλόνι.
5. Σφίξτε το κεντρικό μπουλόνι.
6. Σφίξτε ομοιόμορφα τα δύο μπουλόνια στερέωσης.
7. Ρυθμίστε τη θέση της πίσω λαβής, κατόπιν σφίξτε τη με δύο μπουλόνια (E).



### Άξονας συναρμολόγησης και κιβώτιο ταχυτήτων

Συναρμολογήστε τον άξονα με το κιβώτιο ταχυτήτων ως εξής:

1. Ξεσφίξτε το μπουλόνι (A). Και αφαιρέστε το μπουλόνι (B).
2. Εισάγετε τον άξονα μέσα στο κιβώτιο ταχυτήτων. Αν είναι δύσκολο να τον εισάγετε πλήρως, στρίψτε το πολύσφηνο (C) λίγο.
3. Ευθυγραμμίστε την οπή στον άξονα με την οπή του μπουλονιού (B).
4. Σφίξτε πρώτα το μπουλόνι (B) και στη συνέχεια σφίξτε το μπουλόνι (A).



## Συναρμολόγηση της αλυσίδας του πριονιού και της οδηγητικής λάμας

**ΠΡΟΣΟΧΗ:** Βεβαιωθείτε ότι η αλυσίδα του πριονιού, η οδηγητική λάμα και το γρανάζι ταιριάζουν μεταξύ τους στο εύρος και στο βήμα.

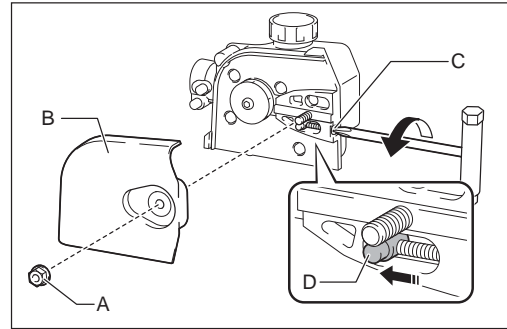
Συναρμολογήστε την αλυσίδα του πριονιού και την οδηγητική λάμα σύμφωνα με τα παρακάτω βήματα.

- Ξεσφίξτε το παξιμάδι (A) και αφαιρέστε το στήριγμα της λάμας (B).
- Περιστρέψτε τη βίδα τάσης (C) αριστερόστροφα έως ότου το παξιμάδι σύσφιξης (D) να αγγίξει το αριστερό άκρο.

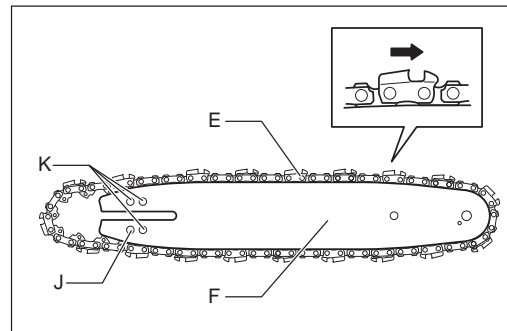
### ΕΙΔΟΠΟΙΗΣΗ:

- Μην περιστρέψετε τη βίδα τάσης αριστερόστροφα πάρα πολύ, διαφορετικά η βίδα τάσης και το παξιμάδι σύσφιξης θα βγει από το περίβλημα.

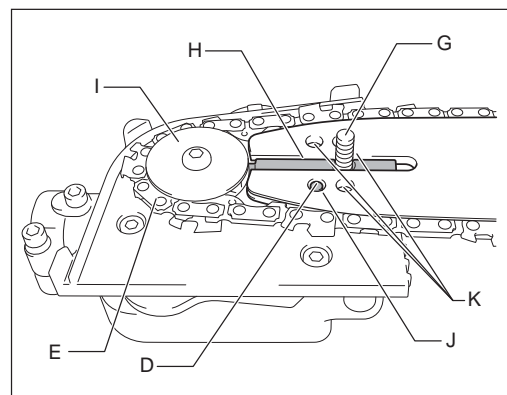
- Τοποθετήστε την αλυσίδα του πριονιού (E) πάνω μέσα στην αυλάκωση της οδηγητικής λάμας (F). Ξεκινήστε τη διαδικασία από την μύτη της λάμας.



- Ευθυγραμμίστε το μπουλόνι τοποθέτησης (G) με την εγκοπή της οδηγητικής λάμας (H) και στη συνέχεια τοποθετήστε την αλυσίδα του πριονιού (E) επάνω στο γρανάζι (I). Βεβαιωθείτε ότι η αλυσίδα του πριονιού διατηρείται τοποθετημένη κατά μήκος της οδηγητικής λάμας κατά τη διάρκεια της διαδικασίας.
- Τοποθετήστε την οδηγητική λάμα (F) έτσι ώστε το παξιμάδι σύσφιξης (D) να ταιριάζει μέσα στην τρύπα (J) της οδηγητικής λάμας. Οι οπές (K) δεν χρησιμοποιούνται.

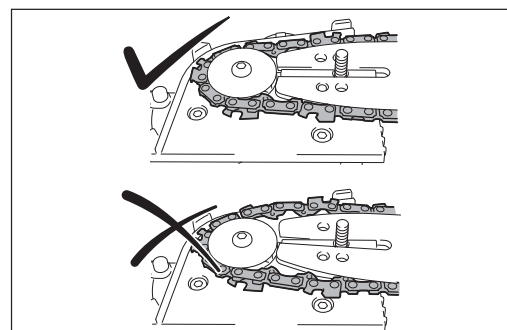


- Τοποθετήστε την αλυσίδα του πριονιού πάνω στην αυλάκωση της οδηγητικής λάμας σωστά. Αν η αλυσίδα του πριονιού δεν τοποθετηθεί σωστά πάνω στην αυλάκωση της οδηγητικής λάμας σε αυτό το σημείο, προσαρμόσετε και ταιριάστε την κατάλληλα.
- Τοποθετήστε το στήριγμα της λάμας (B) και σφίξτε το παξιμάδι (A) γερά. Στη συνέχεια, ξεσφίξτε το παξιμάδι κατά μισή στροφή ως μέρος της ρύθμισης της τάσης της αλυσίδας.
- Ρυθμίστε την τάση της αλυσίδας. Ανατρέξτε στην ενότητα "Ρύθμιση της τάσης της αλυσίδας."

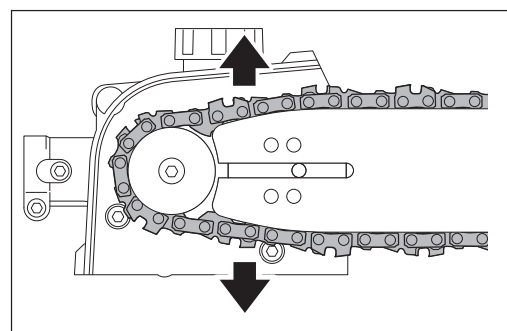


### ΠΡΟΣΟΧΗ:

- Διατηρήστε την ισχύουσα τάση της αλυσίδας. Η χαλαρή τάση μπορεί να προκαλέσει τον εκτροχιασμό της αλυσίδας του πριονιού.



Για να αφαιρέσετε την αλυσίδα του πριονιού και την οδηγητική λάμα, περιστρέψτε πρώτα την βίδα τάσης (C) προς τα αριστερά. Τραβήξτε την αλυσίδα του πριονιού προς τα έξω για να βγει έξω η αλυσίδα του πριονιού από την αυλάκωση της οδηγητικής λάμας, στη συνέχεια, αφαιρέστε τη από το περίβλημα.



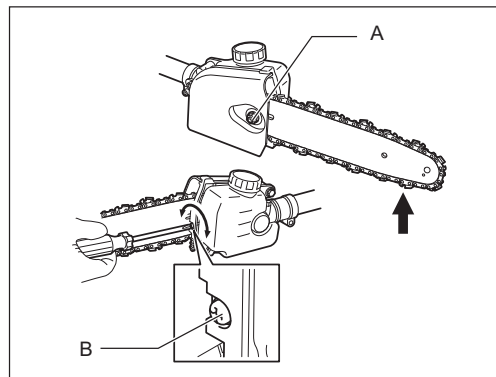
## Ρύθμιση της τάσης της αλυσίδας

### ΠΡΟΣΟΧΗ:

- Διατηρήστε την κατάλληλη τάση της αλυσίδας. Αν η τάση είναι χαλαρή μπορεί να βγει η αλυσίδα κατά τη διάρκεια της λειτουργίας. Η πολύ σφιχτή τάση μπορεί να προκαλέσει φθορά στην αλυσίδα του πριονιού ή στην οδηγητική λάμα.
- Κατά τη λειτουργία, ελέγχετε την τάση της αλυσίδας τακτικά. Η αλυσίδα του πριονιού τεντώνεται και χαλαρώνει κατά τη λειτουργία. Όταν χρησιμοποιείτε μια νέα αλυσίδα πριονιού, ρυθμίστε συχνότερα την τάση.

Ρυθμίστε την τάση της αλυσίδας σύμφωνα με τα παρακάτω βήματα.

1. Ξεσφίξτε το παξιμάδι **(A)** κατά μισή στροφή.
2. Κρατήστε προς τα πάνω τη μύτη της λάμας. Γυρίστε τη βίδα σύσφιξης **(B)** δεξιόστροφα μέχρι που η αλυσίδα του πριονιού να ταιριάζει με ευκολία στην κάτω πλευρά της οδηγητικής λάμας.
3. Πιάστε καλά την αλυσίδα πριονιού από τη μέση της οδηγητικής λάμας και σηκώστε την. Το κενό μεταξύ της οδηγητικής λάμας και του επιταινιόμενου της αλυσίδας του πριονιού πρέπει να είναι περίπου 3 - 4 mm (0,118"-0,157"). Αν όχι, περιστρέψτε αριστερόστροφα λίγο τη βίδα σύσφιξης και μεταβείτε ξανά στο βήμα 2.
4. Σφίξτε το παξιμάδι **(A)** καλά.
5. Αν είναι απαραίτητο, σφίξτε λίγο τη βίδα σύσφιξης για να μη την αφήσετε να πέσει.



## Πλήρωση του ρεζερβουάρ λαδιού της αλυσίδας

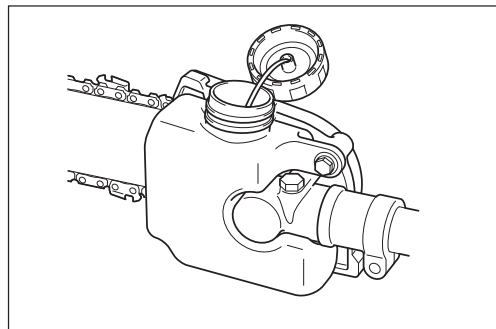
Η αλυσίδα του πριονιού πρέπει να λιπαίνεται με λάδι αλυσίδας κατά τη λειτουργία.

Πριν από τη λειτουργία, γεμίστε το ρεζερβουάρ λαδιού της αλυσίδας. Μετά την παροχή λαδιού, σφίξτε καλά την τάπα του ρεζερβουάρ λαδιού. Χρησιμοποιήστε μόνο το γνήσιο λάδι αλυσίδας της Makita.

### ΕΙΔΟΠΟΙΗΣΗ:

- Μη χρησιμοποιείτε ποτέ χρησιμοποιημένο λάδι. Μπορεί να προκαλέσει βλάβη στην αντλία λαδιού.
- Αποφύγετε περιβάλλον με σκόνη κατά την πλήρωση του λαδιού αλυσίδας. Η σκόνη και άλλα ξένα υλικά ενδέχεται να προκαλέσουν βλάβες στο σύστημα τροφοδότησης λαδιού.

Κατά τη λειτουργία, πάντα να δίνετε προσοχή στη στάθμη του λαδιού. Ξαναγεμίστε το ρεζερβουάρ, αν η στάθμη του λαδιού φτάσει σε χαμηλό επίπεδο. Το ρεζερβουάρ αδειάζει μέσα σε περίπου 40 λεπτά λειτουργίας (ανάλογα με τη ρύθμιση της λίπανσης της αλυσίδας).

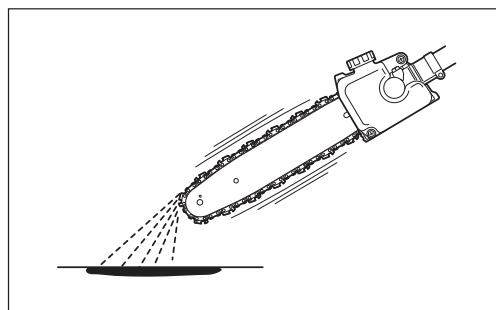
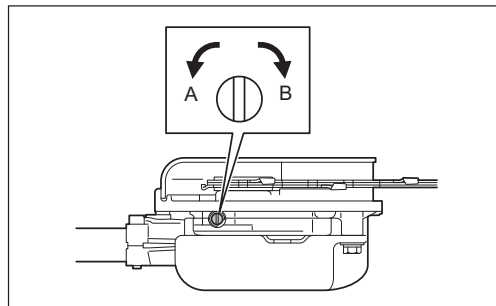


## Ρύθμιση του ρυθμού τροφοδοσίας του λαδιού της αλυσίδας

Ο ρυθμός τροφοδοσίας του λαδιού της αλυσίδας ρυθμίζεται σε τρία βήματα. Ανάλογα με τη λειτουργία, για παράδειγμα κατά την κοπή σκληρών κλαδιών, προσαρμόστε τον ρυθμό τροφοδοσίας.

Για να ρυθμίσετε τον ρυθμό τροφοδοσίας του λαδιού της αλυσίδας, χρησιμοποιήστε ένα πλατύ κατσαβίδι. Σπρώξτε μέσα τη βίδα ρύθμισης και γυρίστε τη. Για να αυξήσετε τον ρυθμό τροφοδοσίας περιστρέψτε τη βίδα ρύθμισης αριστερόστροφα **(A)**. Για να μειώσετε τον ρυθμό τροφοδοσίας, περιστρέψτε την δεξιόστροφα **(B)**.

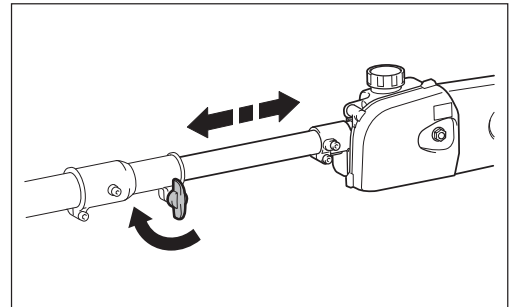
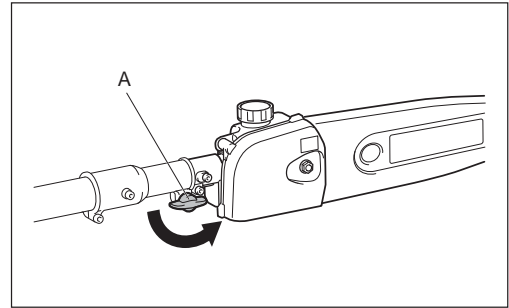
Μετά τη ρύθμιση του ρυθμού τροφοδοσίας της αλυσίδας με λάδι, ελέγξτε το ρυθμό τροφοδοσίας λειτουργώντας τη συσκευή στη μεσαία ταχύτητα.



## Ρύθμιση του μήκους του κονταροπριόνου

Ρυθμίστε το μήκος του κονταροπριόνου ως εξής:

1. Στρίψτε το κουμπί (A) στα αριστερά.
2. Ρυθμίστε το μήκος του κονταριού.
3. Στρίψτε το κουμπί δεξιά για να στερεώσετε την κεφαλή των ταχυτήτων.



## Ιμάντας ώμου

### Ρύθμιση του ιμάντα ώμου

Ρυθμίστε τον ιμάντα στο κατάλληλο μήκος για τη λειτουργίας σας.

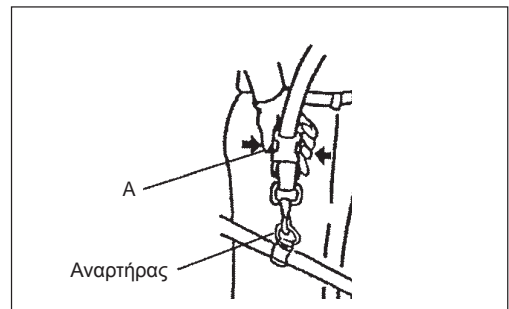
### Αποσύνδεση

Στην περίπτωση έκτακτης ανάγκης, σπρώξτε τις εγκοπές (A) και από τις δυο πλευρές και αποσυνδέστε τη συσκευή.

Τη στιγμή αυτή δώστε μεγάλη προσοχή για να διατηρήσετε τον έλεγχο της συσκευής. Μην επιτρέψετε στη συσκευή να εκτραπεί προς τα εσάς ή προς τον οποιονδήποτε γύρω σας.

**ΠΡΟΕΙΔΟΠΟΙΗΣΗ:** Αν δεν διατηρήσετε τον πλήρη έλεγχο του μηχανήματος μπορεί να προκληθεί σοβαρός τραυματισμός ή ΘΑΝΑΤΟΣ.

Σημείωση: Σε ορισμένες χώρες, ο ιμάντας ώμου δεν διαθέτει αυτή τη λειτουργία αποκόλλησης.



## ΠΡΙΝ ΑΠΟ ΤΗΝ ΕΝΑΡΞΗ ΤΗΣ ΛΕΙΤΟΥΡΓΙΑΣ

### Έλεγχος και αναπλήρωση του λαδιού του κινητήρα

- Εκτελέστε την παρακάτω διαδικασία, με κρύο τον κινητήρα.
- Ορίστε το επίπεδο του κινητήρα, αφαιρέστε την τάπα λαδιού (Εικ. 1) και στη συνέχεια, ελέγξτε για να δείτε το εύρος μεταξύ των σημάνσεων του ανώτατου και του κατώτατου ορίου του σωλήνα λαδιού (Εικ. 2).
- Γεμίστε το λάδι έως το ανώτατο σημάδι ορίου εάν το λάδι δεν είναι επαρκές (η στάθμη του λαδιού βρίσκεται κοντά στο κατώτατο όριο) (Εικ. 3).
- Η περιοχή που περιβάλλει τις εξωτερικές σημάνσεις είναι διαφανής, έτσι ώστε η ποσότητα του λαδιού στο εσωτερικό μπορεί να ελεγχθεί χωρίς να χρειάζεται να αφαιρέσετε την τάπα λαδιού. Όμως εάν ο σωλήνας λαδιού γίνει πάρα πολύ βρώμικος, η ορατότητα μπορεί να χαθεί και τότε η στάθμη του λαδιού θα πρέπει να ελεγχθεί έναντι του κλιμακωτού τμήματος στο εσωτερικό της σωλήνας λαδιού.
- Ως αναφορά, ο χρόνος αναπλήρωσης του λαδιού είναι περίπου 10 ώρες (κάθε δέκα ανεφοδιασμούς καυσίμου).  
Εάν αλλάξει το χρώμα του λαδιού ή αναμειχθεί με βρωμιά, αντικαταστήστε το με καινούργιο. (Για το διάστημα και την μέθοδο αντικατάστασης, ανατρέξτε στη Σ 228)

**Συνιστώμενο λάδι:** SAE 10W-30 λάδι Κατηγορίας API, Κλάση SF ή υψηλότερη (4-χρονος κινητήρας για αυτοκίνητα)

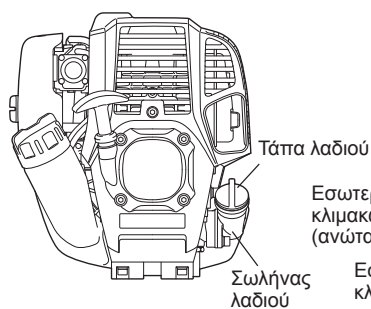
**Όγκος λαδιού:** Περίπου 0,08 Λίτρα

Σημείωση: Εάν ο κινητήρας δεν κρατηθεί όρθιος, το λάδι μπορεί να μπει γύρω από τον κινητήρα και να γεμίσει υπερβολικά.

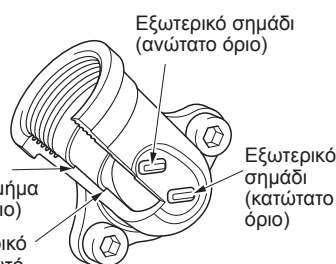
Εάν το λάδι γεμίσει πάνω από το όριο, το λάδι μπορεί να ρυπανθεί ή να πιάσει φωτιά με άσπρο καπνό.

### 1η παρατήρηση στην αντικατάσταση του λαδιού: “Τάπα λαδιού”

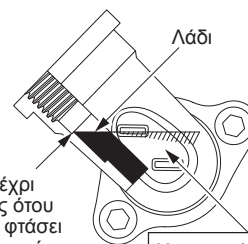
- Αφαιρέστε τη σκόνη ή την βρωμιά κοντά στην τρύπα ανεφοδιασμού του λαδιού, και αποσυνδέστε την τάπα λαδιού.
- Διατηρήστε την τάπα λαδιού που έχετε βγάλει καθαρή από άμμο και σκόνη. Διαφορετικά, η οποιαδήποτε άμμος ή σκόνη κολλήσει στην τάπα λαδιού μπορεί να προκαλέσει την μη φυσιολογική κυκλοφορία του λαδιού ή την φθορά των τμημάτων του κινητήρα, το οποίο θα προκαλέσει προβλήματα.



Εικ. 1



Εικ. 2 Σωλήνας λαδιού

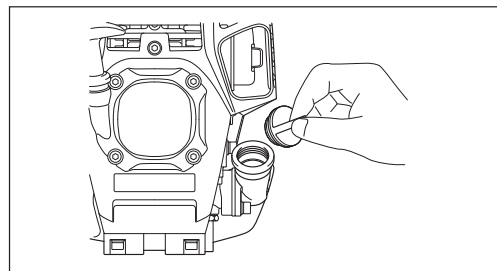


Γεμίστε μέχρι πάνω έως όπου η στάθμη φτάσει στο εσωτερικό κλιμακωτό τμήμα (ανώτατο όριο).

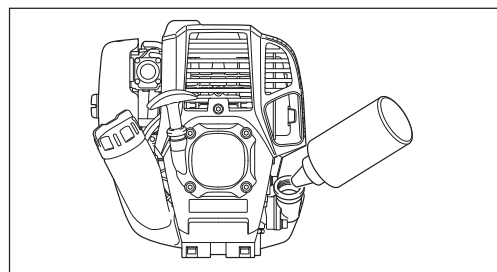
Η περιοχή μεταξύ του εξωτερικού πάνω και κάτω ορίου είναι διαφανής, έτσι η στάθμη του λαδιού μπορεί να ελεγχεται μεταξύ αυτών των δυο σημάνσεων.

Εικ. 3

- (1) Διατηρήστε το όριο του κινητήρα και αποσυνδέστε την τάπα λαδιού.



- (2) Γεμίστε με λάδι έως την ένδειξη του ανώτατου ορίου. (δείτε την Εικ. 3)  
Χρησιμοποιήστε το μπουκάλι λαδιού κατά το γέμισμα.



- (3) Σφίξτε καλά την τάπα λαδιού. Το ανεπαρκές σφίξιμο μπορεί να προκαλέσει τη διαρροή λαδιού.

### Σημείωση

- Μην αντικαταστήσετε το λάδι έχοντας τον κινητήρα υπό κλίση.
- Το γέμισμα του λαδιού με τον κινητήρα υπό κλίση προσθέτει μια ποσότητα λαδιού μεγαλύτερη από την κανονική που προκαλεί την ρύπανση του λαδιού και/ή τον άσπρο καπνό.

### 2η παρατήρηση στην αντικατάσταση του λαδιού: “Εάν το λάδι χυθεί έξω”

- Εάν το λάδι χυθεί έξω μεταξύ του ρεζερβουάρ καυσίμου και της κύριας μονάδας του κινητήρα, το λάδι απορροφάται μέσα στη θύρα εισαγωγής του ψυκτικού αέρα, και θα προκληθεί ρύπανση του κινητήρα. Φροντίστε να σκουπίσετε το λάδι που έχει χυθεί πριν την έναρξη της λειτουργίας.

## ΑΝΕΦΟΔΙΑΣΜΟΣ ΚΑΥΣΙΜΟΥ

### Χειρισμός καυσίμου

Είναι απαραίτητο να χειρίζεστε το καύσιμο με τη μεγαλύτερη δυνατή προσοχή. Το καύσιμο μπορεί να περιέχει ουσίες όμοιες με τους διαλύτες. Ο ανεφοδιασμός πρέπει να γίνεται σε ένα επαρκώς αεριζόμενο δωμάτιο ή σε ένα ανοικτό χώρο. Ποτέ να μην εισπνέετε τους ατμούς του καυσίμου και κρατήστε μακριά σας το καύσιμο. Εάν αγγίξετε το καύσιμο επαναλαμβανόμενα για μακρό χρονικό διάστημα το δέρμα γίνεται ξηρό, και μπορεί να προκαλέσει ασθένεια του δέρματος ή αλλεργία. Εάν το καύσιμο μπει στο μάτι καθαρίστε το με καθαρό νερό. Εάν το μάτι σας παραμείνει ερεθισμένο, συμβουλευτείτε το γιατρό σας.

Μην κάνετε ανεφοδιασμό το σούρουπο ή σε ασαθή επιφάνεια.

### Χρονική περίοδος αποθήκευσης του καυσίμου

Το καύσιμο πρέπει να χρησιμοποιείται μέσα σε μια περίοδο 4 εβδομάδων, ακόμη και αν είναι φυλαγμένο σε ειδικό δοχείο σε μια καλά αεριζόμενη σκιερή περιοχή. Εάν δεν χρησιμοποιηθεί ειδικό δοχείο ή εάν το δοχείο μείνει ακάλυπτο, το καύσιμο μπορεί να αλλοιωθεί σε μια μέρα.

### ΑΠΟΘΗΚΕΥΣΗ ΤΟΥ ΜΗΧΑΝΗΜΑΤΟΣ ΚΑΙ ΤΟΥ ΔΟΧΕΙΟΥ ΑΝΕΦΟΔΙΑΣΜΟΥ

- Φυλάξτε το μηχάνημα και το δοχείο σε ένα ψυχρό χώρο μακριά από το απευθείας ηλιακό φως.
- Ποτέ να μην φυλάσσετε το καύσιμο στην καμπίνα ή το πορτμπαγκάζ.

## Καύσιμο

Ο κινητήρας είναι ένας τετράχρονος κινητήρας. Βεβαιωθείτε να χρησιμοποιήσετε μια βενζίνη αυτοκινήτου (κανονική βενζίνη ή βενζίνη υψηλής ποιότητας).

### Σημειώσεις για το καύσιμο

- Ποτέ να μην χρησιμοποιήσετε ένα μείγμα βενζίνης που περιέχει λάδι μηχανής. Διαφορετικά, θα προκληθεί υπερβολική συσσώρευση άνθρακα ή μηχανικά προβλήματα.
- Η χρήση αλλοιωμένου λαδιού θα προκαλέσει τη μη φυσιολογική εκκίνηση.

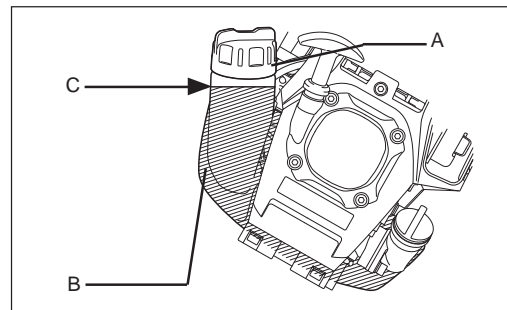
## Ανεφοδιασμός καυσίμου

### ΠΡΟΕΙΔΟΠΟΙΗΣΗ: ΟΙ ΕΥΦΛΕΚΤΕΣ ΟΥΣΙΕΣ ΑΠΑΓΟΡΕΥΟΝΤΑΙ ΑΥΣΤΗΡΩΣ

**ΠΡΟΣΟΧΗ:** Μην ξεχνάτε να κλείνετε την τάπα του ρεζερβουάρ καυσίμου μετά από τον ανεφοδιασμό. Ποτέ να μην ξεκινάτε τον κινητήρα με ανοικτή την τάπα του ρεζερβουάρ καυσίμου.

**Χρησιμοποιούμενη βενζίνη:** Βενζίνη αυτοκινήτου (αμόλυβδη βενζίνη)

1. Ξεσφίξτε λίγο την τάπα του ρεζερβουάρ καυσίμου **(A)** ώστε να μη ρίξετε κάτω καύσιμα.
  2. Αποσυνδέστε την τάπα του ρεζερβουάρ καυσίμου. Και γείρετε τον κινητήρα ώστε να βλέπει προς τα πάνω η θύρα ανεφοδιασμού.
  3. Κάνετε ανεφοδιασμό με προσοχή εκκενώνοντας το ρεζερβουάρ καυσίμου από αέρα **(B)**. (Μην κάνετε ανεφοδιασμό πάνω από το ανώτατο όριο καυσίμου **(C)**.)
  4. Σκουπίστε καλά την περιφέρεια της τάπας ρεζερβουάρ καυσίμου για να αποτρέψετε στα ξένα σώματα να μπουν μέσα στο ρεζερβουάρ καυσίμου.
  5. Μετά τον ανεφοδιασμό, σφίξτε καλά την τάπα του ρεζερβουάρ.
- Εάν υπάρχει κάποια ανωμαλία ή ζημιά στην τάπα του ρεζερβουάρ, αντικαταστήστε τη.
  - Η τάπα του ρεζερβουάρ φθείρεται με το πέρασμα του χρόνου. Αντικαταστήστε τη κάθε δυο ή τρία χρόνια.





## ΣΗΜΕΙΑ ΧΕΙΡΙΣΜΟΥ ΚΑΙ ΤΡΟΠΟΣ ΣΤΑΜΑΤΗΜΑΤΟΣ

### ΠΡΟΣΟΧΗ:

Να τηρείτε τους ισχύοντες κανονισμούς πρόληψης ατυχημάτων!

### ΕΙΔΟΠΟΙΗΣΗ:

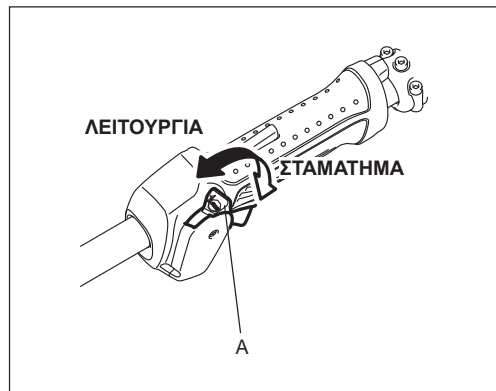
Αφαιρέστε το κάλυμμα της οδηγητικής λάμας πριν ξεκινήσετε τον κινητήρα.

### ΞΕΚΙΝΗΜΑ

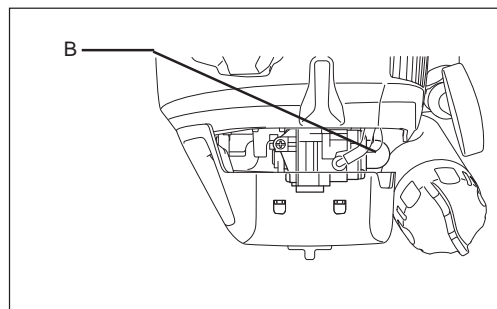
Μετακινηθείτε τουλάχιστον 3 μέτρα από το σημείο ανεφοδιασμού με καύσιμο. Τοποθετήστε τη συσκευή σε μια καθαρή περιοχή στο έδαφος δίνοντας προσοχή ώστε το προσάρτημα να μην βρίσκεται σε επαφή με το έδαφος ή με άλλα αντικείμενα.

#### A: Εκκίνηση εν ψυχρώ

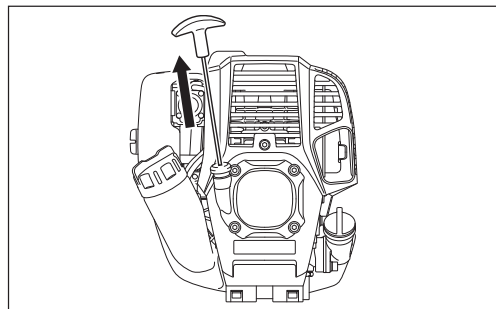
- 1) Τοποθετήστε αυτό το μηχανήμα σε μια επίπεδη επιφάνεια.
- 2) Τοποθετήστε το διακόπτη I-O (**A**) στη θέση OPERATION (ΛΕΙΤΟΥΡΓΙΑ).



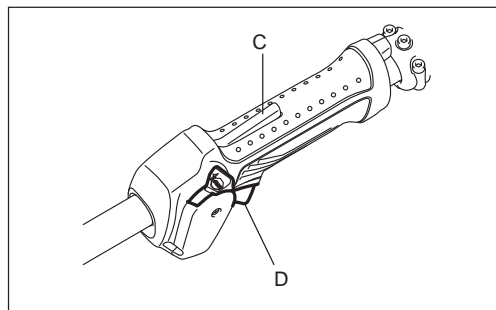
- 3) Αντλία προέγχυσης  
Συνεχίστε να σπρώχνετε την αντλία προέγχυσης (**B**) έως ότου το καύσιμο να εισέλθει μέσα στην αντλία προέγχυσης.  
(Γενικά, το καύσιμο εισέρχεται μέσα στην αντλία προέγχυσης με 7 έως 10 σπρωξίματα.)  
Εάν η αντλία προέγχυσης σπρωχτεί υπερβολικά, η περίσσεια ποσότητα βενζίνης επιστρέφει στο ρεζερβουάρ καυσίμου.



- 4) Εκκινητήρας ανατύλιξης  
Τραβήξτε τη λαβή εκκίνησης ελαφρά έως ότου καταστεί δύσκολο το τράβηγμα (σημείο συμπίεσης). Στη συνέχεια επιστρέψτε τη λαβή εκκίνησης, και τραβήξτε την δυνατά.  
Ποτέ να μην τραβήξετε το σχοινί μέχρι τέρμα. Όταν τραβηχτεί η λαβή του εκκινητήρα, ποτέ να μην ελευθερώσετε το χέρι σας αμέσως. Κρατήστε τη λαβή του εκκινητήρα έως ότου να επιστρέψει στο αρχικό της σημείο.



- 5) Το χερούλι διαθέτει μοχλό ασφάλισης (**C**) για την αποφυγή τυχαίας εκκίνησης. Για να τραβήξετε το μοχλό του γκαζιού (**D**), κρατήστε καλά το χερούλι για να ελευθερωθεί η ασφάλεια (το κουμπί ασφάλισης πατιέται με την πίεση του χεριού).
- 6) Λειτουργία προθέρμανσης  
Συνεχίστε τη λειτουργία προθέρμανσης για 2 έως 3 λεπτά.



Σημείωση: Εάν εισέλθει υπερβολική ποσότητα καυσίμου, αφαιρέστε το μπουζί και τραβήξτε το χερούλι του εκκινητήρα αργά για να αφαιρέσετε το υπερβολικό καύσιμο. Επίσης, στεγνώστε το τμήμα του ηλεκτροδίου του μπουζί.

## Προσοχή κατά τη λειτουργία:

Εάν ο μοχλός του γκαζιού ανοίξει πλήρως κατά τη λειτουργία χωρίς φορτίο, οι περιστροφές του κινητήρα θα αυξηθούν στις 10.000 min<sup>-1</sup> ή περισσότερο. Ποτέ να μην λειτουργείτε τον κινητήρα σε υψηλότερες ταχύτητες από ό,τι απαιτείται, και διατηρήστε τις περιστροφές σε μια ταχύτητα περίπου 6.000 - 8.000 min<sup>-1</sup>.

## B: Εκκίνηση μετά τη λειτουργία προθέρμανσης

- 1) Σπρώξτε επαναλαμβανόμενα την αντλία προέγχυσης.
- 2) Κρατήστε τον μοχλό του γκαζιού στη θέση του ρελαντί.
- 3) Τραβήξτε γερά τον εκκινητήρα ανατύλιξης.
- 4) Εάν είναι δύσκολη η εκκίνηση του κινητήρα, ανοίξτε το γκάζι στο 1/3 περίπου. Δώστε προσοχή στο προσάρτημα το οποίο μπορεί να περιστραφεί.

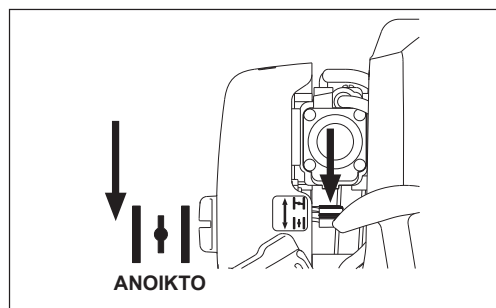
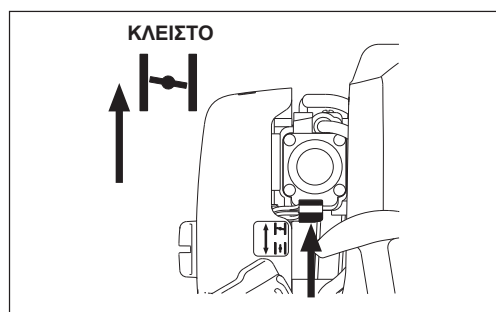
## Κάποιες φορές, όπως το χειμώνα, που η εκκίνηση του κινητήρα είναι δύσκολη

Λειτουργήστε το μοχλό του τσοκ με την ακόλουθη διαδικασία κατά την εκκίνηση του κινητήρα.

- Αφού εκτελέσετε τα βήματα της εκκίνησης 1) έως 3), τοποθετήστε το μοχλό του τσοκ στην CLOSE (ΚΛΕΙΣΤΗ) θέση.
- Εκτελέστε το βήμα εκκίνησης 4) και ξεκινήστε τον κινητήρα.
- Όταν ξεκινήσει ο κινητήρας, τοποθετήστε τον μοχλό του τσοκ στην OPEN (ΑΝΟΙΚΤΗ) θέση.
- Εκτελέστε το βήμα εκκίνησης 5) και ολοκληρώστε το ζέσταμα.

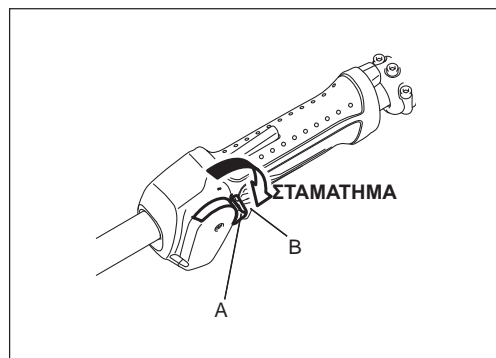
**ΠΡΟΣΟΧΗ:** Αν ακουστεί ένα μπαγκ (εκρηκτικός θόρυβος) και σταματήσει ο κινητήρας ή αν σταματήσει ο κινητήρας πριν από το χειρισμό του μοχλού του τσοκ, επιστρέψτε τον μοχλό του τσοκ στην OPEN (ΑΝΟΙΚΤΗ) θέση και στη συνέχεια, τραβήξτε τη λαβή του εκκινητήρα μερικές φορές για να ξεκινήσει ο κινητήρας.

**ΠΡΟΣΟΧΗ:** Αν ο μοχλός του τσοκ παραμείνει στη θέση CLOSE (ΚΛΕΙΣΤΗ) και η λαβή εκκινητήρα απλά τραβηχτεί επαναλαμβανόμενα, θα εισέλθει παραπάνω ποσότητα καυσίμου και ο κινητήρας θα είναι δύσκολο να ξεκινήσει.



## ΣΤΑΜΑΤΗΜΑ

- 1) Αφήστε εντελώς το μοχλό του γκαζιού (B) και μετά όταν οι στροφές του κινητήρα χαμηλώσουν, ρυθμίστε το διακόπτη I-O (A) στη θέση STOP (ΣΤΑΜΑΤΗΜΑ) και ο κινητήρας τώρα θα σταματήσει.
- 2) Έχετε υπόψη ότι το προσάρτημα μπορεί να μην σταματήσει αμέσως και αφήστε το να σταματήσει εντελώς.

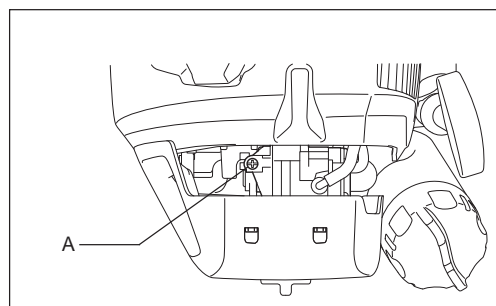


## ΡΥΘΜΙΣΗ ΤΗΣ ΠΕΡΙΣΤΡΟΦΗΣ ΧΑΜΗΛΗΣ ΤΑΧΥΤΗΤΑΣ (ΡΕΛΑΝΤΙ)

Όταν είναι απαραίτητο να ρυθμίσετε την περιστροφή χαμηλής ταχύτητας (ρελαντί), εκτελέστε την από τη βίδα ρύθμισης του ρελαντί (A).

## ΕΛΕΓΧΟΣ ΤΗΣ ΠΕΡΙΣΤΡΟΦΗΣ ΧΑΜΗΛΗΣ ΤΑΧΥΤΗΤΑΣ

- Ρυθμίστε την περιστροφή χαμηλής ταχύτητας στις 3.000 min<sup>-1</sup>. Εάν είναι απαραίτητο να αλλάξει η ταχύτητα περιστροφής, προσαρμόστε την ρυθμιστική βίδα με ένα σταυρωτό κατσαβίδι.
- Στρέψτε την ρυθμιστική βίδα προς τα δεξιά και η περιστροφή του κινητήρα θα αυξηθεί. Στρέψτε τη ρυθμιστική βίδα προς τα αριστερά και η περιστροφή του κινητήρα θα μειωθεί.
- Το καρμπιρατέρ είναι γενικά ρυθμισμένο πριν την αποστολή. Εάν είναι απαραίτητη η επαναρύθμιση, παρακαλώ ελάτε σε επαφή με τον εξουσιοδοτημένο αντιπρόσωπο του σέρβις.



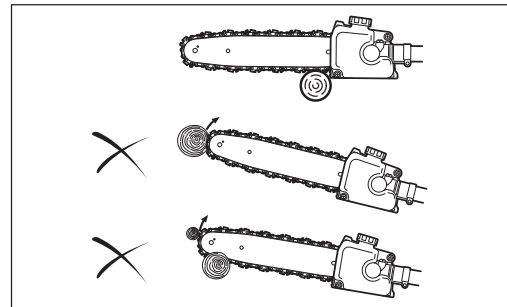
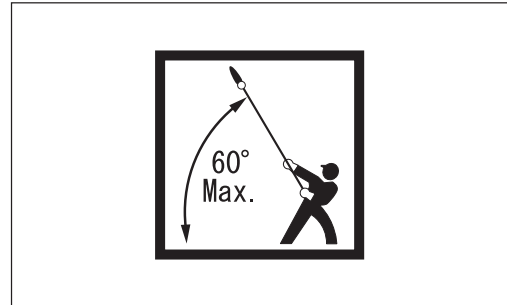
## ΛΕΙΤΟΥΡΓΙΑ

### Θέση στάσης

- Σταθείτε σε σταθερή επιφάνεια. Ρυθμίστε τη γωνία του κονταροπριονιού στις 60° σε οριζόντιο έδαφος.
- Κόψτε πρώτα τα πιο χαμηλά κλαδιά ώστε να πέσουν πιο εύκολα.
- Πάντοτε να έχετε οδό διαφυγής σε περίπτωση που ένα κομμένο κλαδί πέσει προς τον χειριστή.

### Μέθοδος

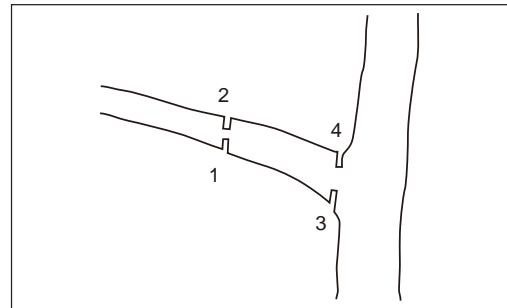
- Ξεκινήστε τον κινητήρα, και τραβήξτε το γκάζι έως ότου η αλυσίδα του πριονιού αναπτύξει πλήρη ταχύτητα.
- Πιέστε ελαφρά την αλυσίδα του πριονιού πάνω στο κλαδί. Μη ζορίζετε τη συσκευή, διαφορετικά ενδέχεται να υποστεί βλάβη.
- Μη χρησιμοποιείτε ποτέ τη μύτη της λάβας για κοπή. Διαφορετικά μπορεί να κλωστήσει επικίνδυνα, και αυτό μπορεί να οδηγήσει σε προσωπικό τραυματισμό.



### Συμβουλές για το κόψιμο χοντρών κλαδιών

Όταν κόβετε ένα χοντρό κλαδί, χρησιμοποιήστε την εξής μέθοδο.

1. Κάντε μια μικρή εγκοπή στην κάτω πλευρά του κλαδιού όπου υπάρχει μια μικρή απόσταση από εκεί που σκοπεύετε να κόψετε.
2. Κόψτε το κλαδί από την πάνω πλευρά όπου κάνατε την εγκοπή.
3. Κάνετε μία άλλη μικρή εγκοπή στην κάτω πλευρά του κλαδιού που σκοπεύετε να κόψετε.
4. Κόψτε εκεί που σκοπεύετε να κόψετε από την επάνω πλευρά.



## ΟΔΗΓΙΕΣ ΣΕΡΒΙΣ

**ΠΡΟΣΟΧΗ:** Πριν κάνετε την οποιαδήποτε εργασία πάνω στη συσκευή, πάντοτε να σταματάτε τον κινητήρα και να αποσυνδέετε την πίπα του μπουζί από το μπουζί (δείτε την ενότητα "έλεγχος του μπουζί").

Να φοράτε πάντα προστατευτικά γάντια!

Κατά τη συναρμολόγηση ή τη συντήρηση της συσκευής, πάντα να τη τοποθετείτε κάτω. Η συναρμολόγηση ή η ρύθμιση της συσκευής σε όρθια θέση μπορεί να οδηγήσει σε σοβαρό τραυματισμό.

Πάντοτε να τοποθετείτε το κάλυμμα της οδηγητικής λάμδας κατά το σέρβις.

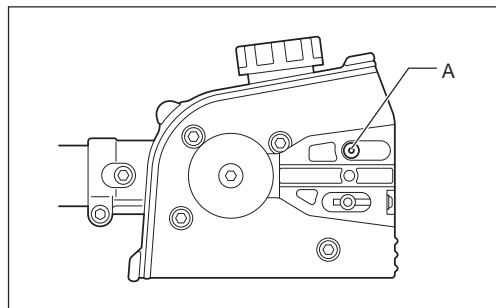
Για τη διασφάλιση της μεγάλης διάρκειας ζωής και της αποφυγής της ζημιάς στη συσκευή, εκτελείτε κατά τακτά διαστήματα τις παρακάτω εργασίες συντήρησης.

### Καθημερινός έλεγχος και συντήρηση

- Πριν την λειτουργία, ελέγξτε τη συσκευή για ξεσφιγμένες βίδες ή εξαρτήματα που λείπουν. Δώστε ιδιαίτερη προσοχή στο ειδικό εξάρτημα για την ασφάλειά του στερέωσης.
- Πριν από την λειτουργία, πάντοτε να ελέγχετε για την ύπαρξη βουλώματος στους αεραγωγούς ψύξης και στα πτερύγια του κυλίνδρου. Καθαρίστε τα αν είναι απαραίτητο.
- Εκτελέστε την παρακάτω εργασία καθημερινά μετά την χρήση:
  - Καθαρίστε εξωτερικά τη συσκευή και επιθεωρήστε τη για την ύπαρξη ζημιάς.
  - Καθαρίστε το φίλτρο αέρα. Κατά την εργασία υπό συνθήκες με πολύ σκόνη, καθαρίστε το φίλτρο αρκετές φορές την μέρα.
  - Ελέγξτε για να διαπιστώσετε ότι υπάρχει επαρκής διαφορά μεταξύ των ταχυτήτων του ρελαντί και της λειτουργίας και να διασφαλίσετε ότι το προσάρτημα είναι σταματημένο όταν ο κινητήρας βρίσκεται στο ρελαντί (εάν είναι απαραίτητο, ελαττώστε την ταχύτητα του ρελαντί). Εάν στο ρελαντί το εργαλείο συνεχίσει να λειτουργεί, συμβουλευτείτε τον κοντινότερο εξουσιοδοτημένο αντιπρόσωπο του σέρβις.
- Ελέγξτε τη λειτουργικότητα του διακόπτη I-O, του μοχλού ασφάλισης και του μοχλού του γκαζιού.

## Καθαρισμός της θύρας τροφοδοσίας του λαδιού της αλυσίδας

Καθαρίζετε τη θύρα τροφοδοσίας του λαδιού της αλυσίδας (A) καθημερινά. Για να αποκτήσετε πρόσβαση σε αυτή, αφαιρέστε το στήριγμα και την οδηγητική λάμα.

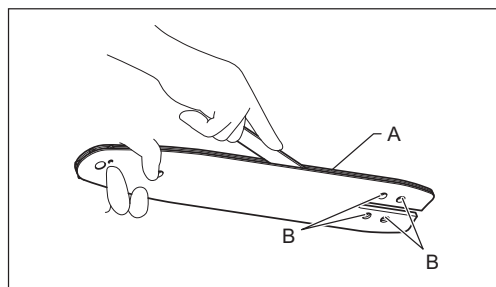


## Καθαρισμός και έλεγχος της οδηγητικής λάμας

Καθαρίζετε την οδηγητική λάμα καθημερινά. Αφαιρέστε το πριονίδι από το αυλάκι (A) και τη θύρα τροφοδοσίας λαδιού της αλυσίδας (B).

Για να αποφευχθεί η δυνατότητα φθοράς της μιας πλευράς της οδηγητικής λάμας, γυρίστε την ανάποδα κάθε φορά που αντικαθιστάτε ή ακονίζετε την αλυσίδα του πριονιού.

Αν το αυλάκι είναι φθαρμένο, έχει καμφθεί ή παραμορφωθεί, αντικαταστήστε την οδηγητική λάμα.



## Επιθεώρηση της αλυσίδας του πριονιού

Όταν αισθάνεστε ότι η αλυσίδα του πριονιού έχει φθαρεί, παραμορφωθεί, ραγίσει ή χρειάζεται περισσότερη προσπάθεια για την κοπή, αντικαταστήστε τη ή ζητήστε από ένα εξουσιοδοτημένο κέντρο σέρβις της Makita να την ακονίσει.

## Λίπανση κινούμενων μερών

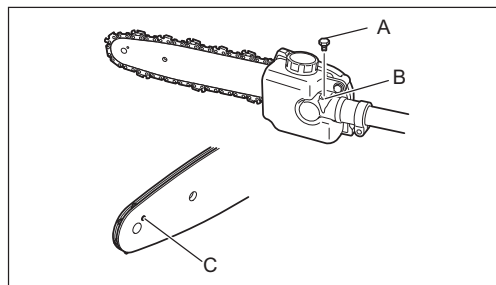
**ΕΙΔΟΠΟΙΗΣΗ:** Ακολουθήστε τις οδηγίες σχετικά με την ποσότητα του λαδιού και την συχνότητα παροχής του. Διαφορετικά η ανεπαρκής λίπανση μπορεί να προκαλέσει βλάβη στα κινητά μέρη.

Κιβώτιο ταχυτήτων:

Αφαιρέστε την τάπα του γράσου (A) και γεμίστε με γράσο βασισμένο στο λίθιο μέσω της τρύπας λίπανσης (B) κάθε 25 ώρες λειτουργίας.

Μύτη οδηγητικής λάμας:

Εφαρμόστε γράσο (Shell Alvania Ap. 2 ή ισοδύναμο) από την τρύπα λίπανσης (C) κάθε 10 ώρες λειτουργίας.



## ΑΝΤΙΚΑΤΑΣΤΑΣΗ ΤΟΥ ΛΑΔΙΟΥ ΤΟΥ ΚΙΝΗΤΗΡΑ

Το αλλοιωμένο λάδι του κινητήρα θα μικρύνει τη διάρκεια ζωής των εξαρτημάτων που ολισθαίνουν και περιστρέφονται κατά μεγάλο βαθμό. Φροντίστε να ελέγχετε την περίοδο και την ποσότητα της αντικατάστασης.



**ΠΡΟΣΟΧΗ:** Γενικά, η κύρια μονάδα του κινητήρα και το λάδι του κινητήρα παραμένουν ακόμη ζεστά αμέσως μετά το σταμάτημα του κινητήρα. Κατά την αντικατάσταση του λαδιού, επιβεβαιώστε ότι η κύρια μονάδα του κινητήρα και το λάδι του κινητήρα έχουν επαρκώς κρυώσει. Διαφορετικά υπάρχει ο κίνδυνος εγκαύματος.

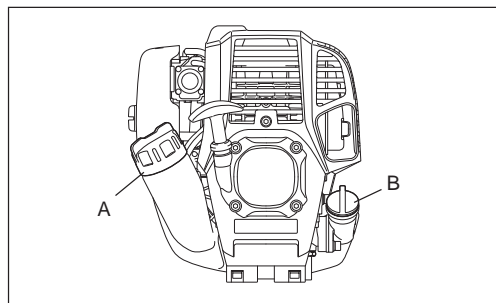
**Σημείωση:** Εάν το λάδι γεμίσει πάνω από το όριο, το λάδι μπορεί να ρυπανθεί ή να πιάσει φωτιά με άσπρο καπνό.

**Περίοδοι αντικατάστασης:** Αρχικά, κάθε 20 ώρες λειτουργίας και στη συνέχεια κάθε 50 ώρες λειτουργίας

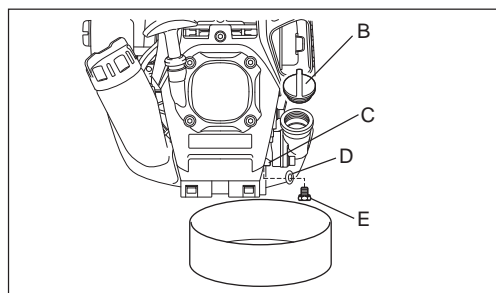
**Συνιστώμενο λάδι:** SAE 10W-30 λάδι Κατηγορίας API Κλάση SF ή υψηλότερη (4-χρονος κινητήρας για αυτοκίνητα)

Κατά την αντικατάσταση εκτελέστε την παρακάτω διαδικασία.

- 1) Επιβεβαιώστε ότι η τάπα του ρεζερβουάρ καυσίμου (A) είναι καλά σφικμένο.
- 2) Τοποθετήστε ένα μεγάλο δοχείο (λεκάνη, κτλ) κάτω από την τρύπα αποστράγγισης (C).

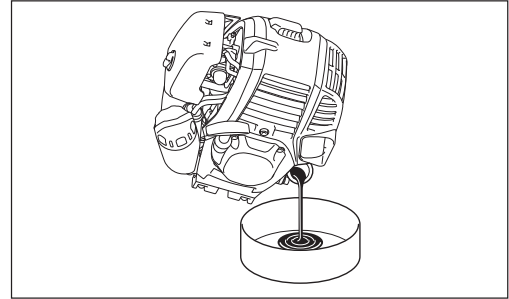


- 3) Αφαιρέστε το μπουλόνι αποστράγγισης (E) και στη συνέχεια αφαιρέστε την τάπα του λαδιού (B) για να αποστραγγιστεί το λάδι από την τρύπα αποστράγγισης.  
Τη στιγμή αυτή, φροντίστε ώστε να μην χάσετε τη φλάντζα του μπουλονιού αποστράγγισης (D) ή να μην κολλήσει βρωμιά πάνω στα εξαρτήματα που έχουν αφαιρεθεί.
- 4) Όταν αποστραγγιστεί όλο το λάδι, ενώστε τη φλάντζα με το μπουλόνι αποστράγγισης και στερεώστε καλά το μπουλόνι αποστράγγισης έτσι ώστε να μην μπορεί να χαλαρώσει και να προκαλέσει διαρροές.  
\* Χρησιμοποιώντας ένα ύφασμα σκουπίστε το λάδι που τυχόν υπάρχει πάνω στο μπουλόνι ή στη συσκευή.

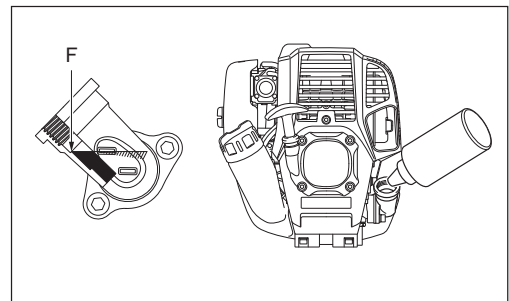
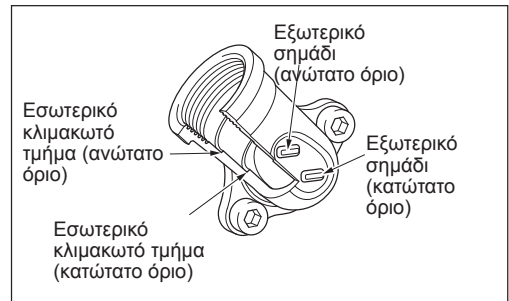


### Εναλλακτική μέθοδος αποστράγγισης

Αφαιρέστε τη τάπα του λαδιού, δώστε κλίση στη συσκευή προς το μέρος της τρύπας του πληρωτή λαδιού και στη συνέχεια, αποστραγγίστε έξω το λάδι. Συλλέξτε το λάδι στο δοχείο.



- 5) Τοποθετήστε επίπεδα τον κινητήρα και στη συνέχεια, γεμίστε βαθμιαία έως τη σήμανση του ανώτατου ορίου (**F**) με καινούργιο λάδι.
- 6) Μετά το γέμισμα, σφίξτε καλά την τάπα του λαδιού έτσι ώστε να μην ξεσφίξει και προκαλέσει διαρροές.  
Εάν η τάπα του λαδιού δεν στερεωθεί καλά μπορεί να προκληθεί διαρροή.



### ΣΗΜΕΙΩΣΕΙΣ ΓΙΑ ΤΟ ΛΑΔΙ

- Ποτέ να μην πετάξετε το παλιό λάδι στα σκουπίδια, στο έδαφος ή στην αποχέτευση. Η απόρριψη του λαδιού υπόκειται στην νομοθεσία. Κατά την απόρριψη, πάντοτε να ακολουθείτε τους σχετικούς νόμους και κανονισμούς. Εάν δεν γνωρίζετε κάποια στοιχεία, επικοινωνήστε με τον εξουσιοδοτημένο αντιπρόσωπο του σέρβις.
- Το λάδι θα αλλοιωθεί ακόμη και αν το φυλάξετε αχρησιμοποίητο. Εκτελέστε τον έλεγχο και την αντικατάσταση σε τακτά διαστήματα (αντικαταστήστε με καινούργιο λάδι κάθε 6 μήνες).

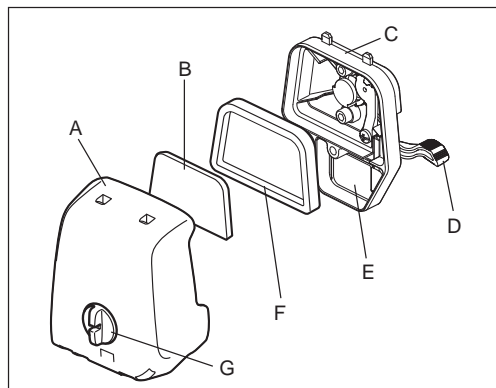
## ΚΑΘΑΡΙΣΜΟΣ ΦΙΛΤΡΟΥ ΑΕΡΑ



**ΚΙΝΔΥΝΟΣ: ΟΙ ΕΥΦΛΕΚΤΕΣ ΟΥΣΙΕΣ ΑΠΑΓΟΡΕΥΟΝΤΑΙ ΑΥΣΤΗΡΩΣ**

**Χρονικό διάστημα καθαρισμού και επιθεώρησης: Καθημερινά (κάθε 10 ώρες λειτουργίας)**

- Στρέψτε το μοχλό του τσοκ (D) στην πλήρως κλειστή πλευρά και κρατήστε το καρμπρατέρ καθαρό από βρωμιά ή σκόνη.
- Ξεσφίξτε το μπουλόνι στερέωσης (G).
- Αφαιρέστε το κάλυμμα του φίλτρου αέρα (A) τραβώντας την κάτω πλευρά του.
- Αφαιρέστε τα στοιχεία (B) (F) και χτυπήστε τα για να αφαιρέσετε τη βρωμιά.
- Αν τα στοιχεία είναι υπερβολικά βρώμικα: Αφαιρέστε τα στοιχεία, βυθίστε τα σε ζεστό νερό ή σε νερό με διαλυμένο ουδέτερο απορρυπαντικό και στεγνώστε τα εντελώς. Μην τα πιέζετε και μην τα τρίβετε κατά το πλύσιμο.
- Πριν συνδέσετε τα στοιχεία, φροντίστε να τα στεγνώσετε αμέσως. Το ανεπαρκές στέγνωμα των στοιχείων μπορεί να προκαλέσει τη δυσκολία εκκίνησης.
- Σκουπίστε με ένα άχρηστο πανί το λάδι που είναι κολλημένο γύρω από το κάλυμμα του φίλτρου αέρα και το τμήμα του τμήματος αερισμού (E).
- Τοποθετήστε το στοιχείο (σπόγγος) (B) μέσα στο στοιχείο (κετσές) (F). Τοποθετήστε τα στοιχεία μέσα στην πλάκα (C) ώστε ο σπόγγος να βρίσκεται απέναντι από το κάλυμμα του φίλτρου αέρα.
- Αμέσως συνδέστε το κάλυμμα του φίλτρου και σφίξτε το με τα μπουλόνια στερέωσης. (Κατά την επανατοποθέτηση, πρώτα τοποθετήστε την πάνω προεξοχή, και στη συνέχεια την κάτω προεξοχή.)



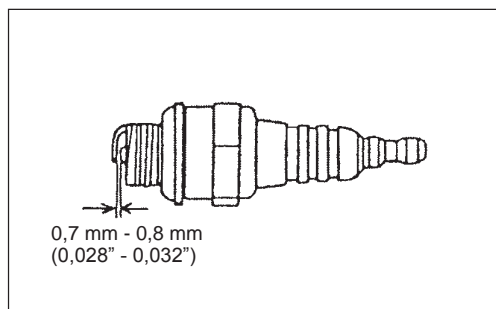
### ΕΙΔΟΠΟΙΗΣΗ:

- Καθαρίστε τα στοιχεία αρκετές φορές την ημέρα, εάν κολλάει πάνω τους υπερβολική σκόνη. Τα βρώμικα στοιχεία μειώνουν την ισχύ του κινητήρα και δυσχεραίνουν την εκκίνηση του κινητήρα.
- Αφαιρέστε το λάδι από τα στοιχεία. Εάν συνεχιστεί η λειτουργία με τα στοιχεία να παραμένουν βρώμικα από λάδι, το λάδι από το φίλτρο αέρα μπορεί να πέσει έξω προκαλώντας ρύπανση του περιβάλλοντος.
- Μην τοποθετείτε τα στοιχεία στο έδαφος ή σε βρώμικο χώρο. Αλλιώς μαζεύουν βρωμιά ή θραύσματα και μπορεί να προκληθεί βλάβη στον κινητήρα.
- Ποτέ να μη χρησιμοποιείτε καύσιμο για τον καθαρισμό των στοιχείων. Το καύσιμο μπορεί να προκαλέσει τη βλάβη τους.

### ΕΛΕΓΧΟΣ ΤΟΥ ΜΠΟΥΖΙ

- Χρησιμοποιήστε μόνο το παρεχόμενο κλειδί γενικής χρήσης για την αφαίρεση ή την τοποθέτηση του μπουζί.
- Το διάκενο μεταξύ των δυο ηλεκτροδίων του μπουζί πρέπει να είναι 0,7 - 0,8 mm (0,028" - 0,032"). Διορθώστε το διάκενο εάν είναι πολύ μεγάλο ή μικρό. Εάν το μπουζί είναι βουλωμένο ή ρυπαρό, καθαρίστε το καλά ή αντικαταστήστε το.

**ΠΡΟΣΟΧΗ:** Ποτέ να μην αγγίζετε το σύνδεσμο του μπουζί καθώς λειτουργεί ο κινητήρας (υπάρχει κίνδυνος ηλεκτροπληξίας από την υψηλή τάση).



## **ΚΑΘΑΡΙΣΜΑ ΦΙΛΤΡΟΥ ΚΑΥΣΙΜΟΥ**

### **ΠΡΟΕΙΔΟΠΟΙΗΣΗ: ΟΙ ΕΥΦΛΕΚΤΕΣ ΟΥΣΙΕΣ ΑΠΑΓΟΡΕΥΟΝΤΑΙ ΑΥΣΤΗΡΩΣ**

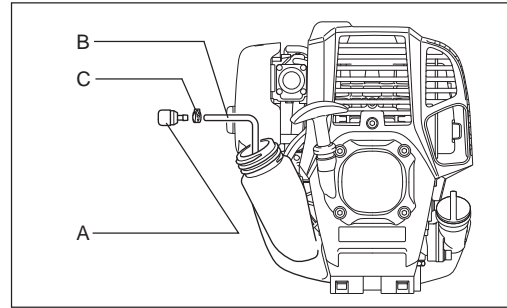
Χρονικό διάστημα καθαρισμού και επιθεώρησης: Μηνιαία (κάθε 50 ώρες λειτουργίας)

#### **Κεφαλή αναρρόφησης στο ρεζερβουάρ καυσίμου**

Ελέγξτε περιοδικά το φίλτρο καυσίμου (A). Για να ελέγξετε το φίλτρο καυσίμου, ακολουθήστε τα παρακάτω βήματα:

- (1) Αφαιρέστε την τάπα του ρεζερβουάρ καυσίμου και αποστραγγίστε το καύσιμο για να αδειάσετε το ρεζερβουάρ. Ελέγξτε το εσωτερικό του ρεζερβουάρ για τυχόν ξένα υλικά. Εάν υπάρχουν, αφαιρέστε τα.
- (2) Χρησιμοποιήστε ένα συρματένιο άγκιστρο και τραβήξτε έξω την κεφαλή αναρρόφησης μέσα από το άνοιγμα του ρεζερβουάρ.
- (3) Εάν το φίλτρο καυσίμου έχει βουλώσει ελαφρώς, καθαρίστε το. Για να το καθαρίσετε, ανακινήστε το μαλακά και χτυπήστε το ελαφρά στο καύσιμο. Για την αποφυγή ζημιάς, μην το πιέσετε ή το τρίψετε. Το καύσιμο που χρησιμοποιείται για τον καθαρισμό πρέπει να απορρίπτεται σύμφωνα με τη μέθοδο που καθορίζεται από τους κανονισμούς της χώρας σας. Εάν το φίλτρο καυσίμου έχει σκληρύνει ή βουλώσει πολύ, αντικαταστήστε το.
- (4) Μετά από έλεγχο, καθαρισμό ή αντικατάσταση, εισάγετε το φίλτρο καυσίμου μέσα στη σωλήνα καυσίμου (B) και στερεώστε το με τον σφιγκτήρα του σωλήνα (C). Σπρώξτε το φίλτρο καυσίμου μέχρι τέρμα στο κάτω μέρος του ρεζερβουάρ καυσίμου.

Το βουλωμένο ή φθαρμένο φίλτρο καυσίμου μπορεί να προκαλέσει ανεπαρκή τροφοδοσία καυσίμου και να μειώσει την ισχύ του κινητήρα. Αντικαταστήστε το φίλτρο καυσίμου τουλάχιστον κάθε τρεις μήνες για να εξασφαλίσετε την κανονιστική τροφοδοσία καυσίμου στο καρμπυρατέρ.



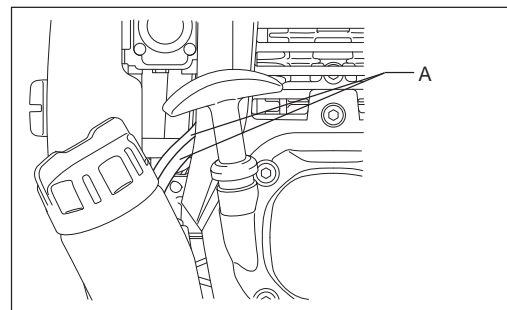
## **ΑΝΤΙΚΑΤΑΣΤΑΣΗ ΤΟΥ ΣΩΛΗΝΑ ΚΑΥΣΙΜΟΥ**

### **ΠΡΟΣΟΧΗ: ΟΙ ΕΥΦΛΕΚΤΕΣ ΟΥΣΙΕΣ ΑΠΑΓΟΡΕΥΟΝΤΑΙ ΑΥΣΤΗΡΩΣ**

Χρονικό διάστημα καθαρισμού και επιθεώρησης: Καθημερινά (κάθε 10 ώρες λειτουργίας)

Αντικατάσταση: Ετήσια (κάθε 200 ώρες λειτουργίας)

Αντικαταστήστε την σωλήνα καυσίμου (A) κάθε χρόνο, ανεξάρτητα από την συχνότητα χρήσης. Η διαρροή καυσίμου μπορεί να οδηγήσει στην πυρκαγιά. Εάν ανιχνευτεί η οποιαδήποτε διαρροή κατά την επιθεώρηση, αντικαταστήστε αμέσως την σωλήνα καυσίμου.



## **ΕΠΙΘΕΩΡΗΣΗ ΜΠΟΥΛΟΝΙΩΝ, ΠΑΞΙΜΑΔΙΩΝ ΚΑΙ ΒΙΔΩΝ**

- Σφίξτε ξανά τα χαλαρά μπουλόνια, παξιμάδια κτλ.
- Ελέγξτε για την περίπτωση διαρροής καυσίμου και λαδιού.
- Αντικαταστήστε τα φθαρμένα εξαρτήματα με καινούργια για μια ασφαλή λειτουργία.

## **ΚΑΘΑΡΙΣΜΟΣ ΕΞΑΡΤΗΜΑΤΩΝ**

- Διατηρήστε τον κινητήρα πάντοτε καθαρό.
- Καθαρίστε τα πτερύγια του κυλίνδρου από σκόνη ή βρωμιά. Η κολλημένη σκόνη ή βρωμιά στα πτερύγια θα προκαλέσει το σφήνωμα του πιστονιού.

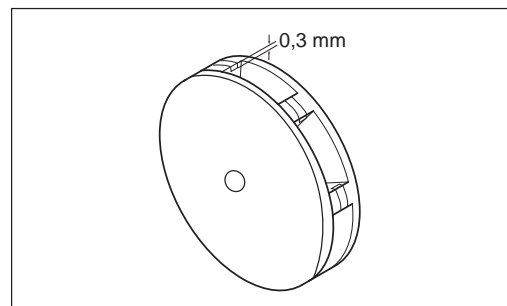
## **ΑΝΤΙΚΑΤΑΣΤΑΣΗ ΦΛΑΝΤΖΩΝ ΚΑΙ ΣΤΟΙΧΕΙΩΝ ΣΥΝΑΡΜΟΛΟΓΗΣΗΣ**

Κατά την επανασυναρμολόγηση του κινητήρα μετά από την αποσυναρμολόγησή του, φροντίστε να αντικαταστήσετε όλες τις φλάντζες και τα στοιχεία συναρμολόγησης με καινούργια.

Η οποιαδήποτε εργασία συντήρησης ή ρύθμισης που δεν συμπεριλαμβάνεται και δεν περιγράφεται σε αυτό το εγχειρίδιο θα πρέπει να εκτελείται μόνο από τους εξουσιοδοτημένους αντιπροσώπους του σέρβις.

## **ΕΛΕΓΧΟΣ ΓΡΑΝΑΖΙΟΥ**

Ελέγξτε το γρανάζι για ύπαρξη φθοράς κάθε 50 ώρες χρήσης. Αντικαταστήστε το εάν τα σημεία φθοράς γίνουν 0,3 mm ή βαθύτερα.



## Ακόνισμα της αλυσίδας πριονιού

### Ακονίστε την αλυσίδα πριονιού όταν:

- Παράγονται πριονίδια κατά την κοπή νωπού ξύλου,
- Η αλυσίδα διαπερνά το ξύλο με δυσκολία, ακόμα κι όταν ασκείτε μεγάλη πίεση,
- Η μύτη κοπής παρουσιάζει εμφανή σημάδια φθοράς,
- Το πριόνι τραβιέται προς τα αριστερά ή προς τα δεξιά μέσα στο ξύλο. Η αιτία για τη συμπεριφορά αυτή είναι το ακανόνιστο ακόνισμα της αλυσίδας πριονιού ή βλάβη μόνο στη μία πλευρά.

### Να ακονίζετε την αλυσίδα πριονιού συχνά, αλλά να αφαιρείτε μόνο λίγο υλικό κάθε φορά.

Για ακόνισμα ρουτίνας συνήθως επαρκούν δύο ή τρεις διαδρομές με τη λίμα. Όταν έχετε επαναλάβει το ακόνισμα της αλυσίδας πριονιού αρκετές φορές, αυτή θα πρέπει να ακονιστεί σε ειδικευμένο κατάστημα επισκευών της ΜΑΚΙΤΑ.

### Κριτήρια ακονίσματος:

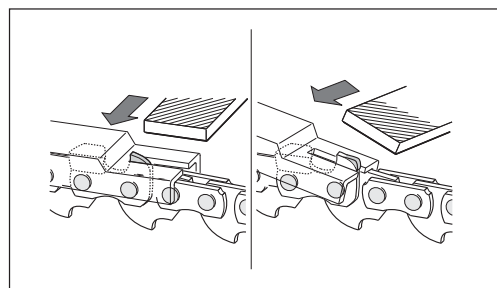
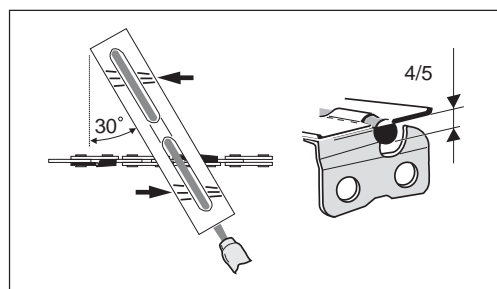
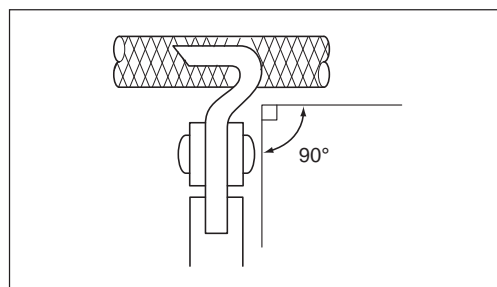
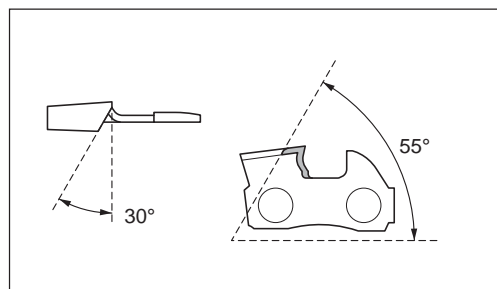
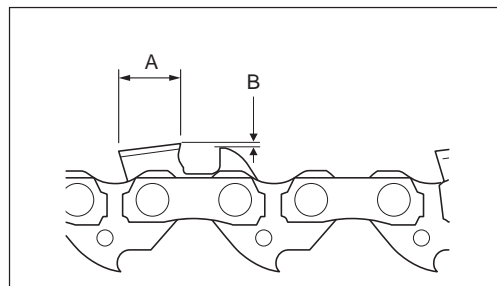
- Τα μήκη όλων των κοφτών (**A**) πρέπει να είναι ίσα. Οι κόπτες με διαφορετικό μήκος εμποδίζουν την ομαλή λειτουργία της αλυσίδας και ενδέχεται να προκαλέσουν το σπάσιμο της αλυσίδας.
- Το πάχος θραυσμάτων καθορίζεται από την απόσταση μεταξύ του ρυθμιστή βάθους (στρογγυλή μύτη) και της μύτης κοπής (**B**).
- Θα έχετε τα καλύτερα αποτελέσματα κοπής με την ακόλουθη απόσταση μεταξύ του άκρου κοπής και του ρυθμιστή βάθους.  
Λάμα αλυσίδας 91VXL: 0,64 mm (0,025")

**⚠ ΠΡΟΕΙΔΟΠΟΙΗΣΗ:** Η υπερβολική απόσταση αυξάνει τον κίνδυνο κλωστήματος.

- Όλοι οι κόπτες θα πρέπει να έχουν την ίδια γωνία ακονίσματος των 30°. Εάν υπάρχουν διαφορές στη γωνία, η αλυσίδα κινείται δύσκολα και ανομοιόμορφα, επιταχύνεται η φθορά και προκαλείται σπάσιμο της αλυσίδας.
- Η γωνία του πλαινού χείλους του κόπτη καθορίζεται από το βάθος διείδυσης της στρογγυλής λίμας. Εάν χρησιμοποιήσετε σωστά τη συγκεκριμένη λίμα, δημιουργείται αυτόματα η σωστή γωνία του πλαινού χείλους.
- Η σωστές γωνίες για κάθε αλυσίδα πριονιού είναι οι εξής:  
Λάμα αλυσίδας 91VXL: 55°

### Λίμα και οδήγηση λίμας

- Χρησιμοποιήστε μία ειδική στρογγυλή λίμα (προαιρετικό αξεσουάρ) για αλυσίδες πριονιού, για να ακονίσετε την αλυσίδα. Οι συνηθισμένες στρογγυλές λίμες δεν είναι κατάλληλες.
- Η διάμετρος της στρογγυλής λίμας για κάθε αλυσίδα πριονιού είναι ως εξής:  
Λάμα αλυσίδας 91VXL: 4,0 mm (5/32")
- Η λίμα θα πρέπει να έρχεται σε επαφή με το υλικό μόνο κατά την εμπρόσθια κίνηση. Ανασηκώστε τη λίμα από τον κόπτη κατά την κίνηση επιστροφής.
- Ακονίστε πρώτα τον πιο κοντό κόπτη. Κατόπιν το μήκος αυτού του πιο κοντού κόπτη καθιερώνεται και για όλους τους άλλους κόπτες στην αλυσίδα του πριονιού.
- Καθοδηγήστε τη λίμα όπως δείχνεται.
- Για να καθοδηγήτε τη λίμα πιο εύκολα, χρησιμοποιήστε φορέα λίμας (προαιρετικό αξεσουάρ). Ο φορέας λίμας έχει ενδείξεις για το σωστό ακόνισμα των 30° (ευθυγραμμίστε τις ενδείξεις παράλληλα με την αλυσίδα πριονιού) και περιορίζει το βάθος διείδυσης (στα 4/5 της διαμέτρου λίμας).
- Αφού ακονίσετε την αλυσίδα, ελέγξτε το ύψος του ρυθμιστή βάθους με το εργαλείο μέτρησης αλυσίδας (προαιρετικό αξεσουάρ).
- Με μια ειδική επίπεδη λίμα (προαιρετικό αξεσουάρ), αφαιρέστε τυχόν υλικά που προεξέχουν, όσο μικρά και αν είναι.
- Στρογγυλέψτε ξανά το μπροστινό μέρος του ρυθμιστή βάθους.



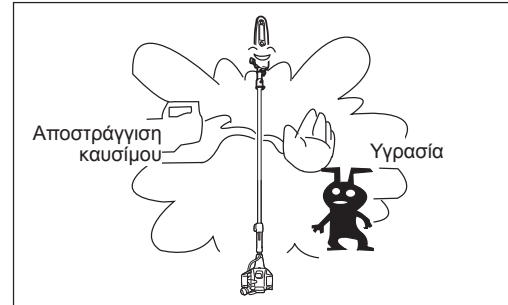




**ΠΡΟΕΙΔΟΠΟΙΗΣΗ:** Κατά την αποστράγγιση του καυσίμου, βεβαιωθείτε ότι σταματήσατε τον κινητήρα και επιβεβαιώστε ότι ο κινητήρας ψύχεται. Ο κινητήρας είναι ακόμη καυτός αμέσως μετά το σταμάτημα του κινητήρα. Περιμένετε μέχρι να ψυχθεί, διαφορετικά ενδέχεται να προκληθούν εγκαύματα ή φωτιά.

Όταν το μηχάνημα είναι πολύ καιρό εκτός λειτουργίας, κάντε τα παρακάτω:

- Αποστραγγίστε το καύσιμο από το ρεζερβουάρ καυσίμου και το καρμπυρατέρ σύμφωνα με την παρακάτω διαδικασία:
  - 1) Αφαιρέστε την τάπα του ρεζερβουάρ καυσίμου, και αποστραγγίστε εντελώς το καύσιμο. Εάν υπάρχει το οποιοδήποτε ξένο σώμα μέσα στο ρεζερβουάρ καυσίμου, αφαιρέστε το εντελώς.
  - 2) Τραβήξτε έξω το φίλτρο καυσίμου από την τρύπα ανεφοδιασμού χρησιμοποιώντας ένα σύρμα.
  - 3) Σπρώξτε την αντλία προέγχυσης έως ότου αποστραγγιστεί το καύσιμο από εκεί, και το αποστραγγισμένο καύσιμο να μπει μέσα στο ρεζερβουάρ καυσίμου.
  - 4) Επανατοποθετήστε το φίλτρο στο ρεζερβουάρ καυσίμου και σφίξτε καλά την τάπα του ρεζερβουάρ καυσίμου.
  - 5) Στη συνέχεια συνεχίστε να λειτουργείτε τον κινητήρα έως ότου σταματήσει.
- Αποστραγγίστε το λάδι της αλυσίδας.
- Αφαιρέστε την αλυσίδα του πριονιού και την οδηγητική λάμα.
- Καθαρισμός του αυλακιού καθοδηγήσεως της οδηγητικής λάμας.
- Λιπάνετε ελαφρώς την αλυσίδα του πριονιού και την οδηγητική λάμα.
- Αφαιρέστε το μπουζί και ρίξτε αρκετές σταγόνες λαδιού κινητήρα μέσα στην τρύπα του μπουζί.
- Τραβήξτε με προσοχή το χερούλι του εκκινητήρα έτσι ώστε το λάδι του κινητήρα να απλωθεί πάνω από τον κινητήρα και συνδέστε το μπουζί.
- Σε γενικές γραμμές, αποθηκεύστε το μηχάνημα σε οριζόντια θέση. Εάν αυτό δεν είναι δυνατόν, τοποθετήστε το μηχάνημα έτσι ώστε η μονάδα του κινητήρα να βρίσκεται κάτω από το κοπτικό εργαλείο. Σε διαφορετική περίπτωση το λάδι του κινητήρα μπορεί να διαρρεύσει από το εσωτερικό.
- Πάντοτε να δίνετε προσοχή στην αποθήκευση του μηχανήματος σε ένα ασφαλές μέρος για να αποτραπεί η ζημιά στο μηχάνημα και ο προσωπικός τραυματισμός.
- Διατηρήστε το αποστραγγισμένο καύσιμο μέσα σε ένα ειδικό δοχείο σε ένα καλά αεριζόμενο χώρο υπό σκιά.



### Προσοχή μετά από μια παρατεταμένη αποθήκευση

- Πριν από την εκκίνηση μετά από μακρόχρονη αποθήκευση, βεβαιωθείτε ότι αντικαταστήσατε το λάδι του κινητήρα (ανατρέξτε στην ενότητα "ΑΝΤΙΚΑΤΑΣΤΑΣΗ ΤΟΥ ΛΑΔΙΟΥ ΤΟΥ ΚΙΝΗΤΗΡΑ"). Το λάδι θα αλλοιωθεί κατά το διάστημα στο οποίο το μηχάνημα δεν βρίσκεται σε λειτουργία.

### Εντοπισμός σφάλματος

Σφάλμα	Σύστημα	Παρατήρηση	Αιτία
Ο κινητήρας δεν ξεκινά ή ξεκινά με δυσκολία	Σύστημα ανάφλεξης	Σπινθήρας ανάφλεξης ΕΝΤΑΞΕΙ  Δεν υπάρχει σπινθήρας ανάφλεξης	Σφάλμα στην παροχή καυσίμου ή στο σύστημα συμπίεσης, μηχανική βλάβη  Ο διακόπτης STOP (ΣΤΑΜΑΤΗΜΑ) είναι ενεργοποιημένος, σφάλμα καλωδίωσης ή βραχυκύκλωμα, ελαττωματικό μπουζί ή σύνδεσμος, βλάβη στο σύστημα ανάφλεξης
	Τροφοδοσία καυσίμου	Γεμάτο ρεζερβουάρ καυσίμου	Λανθασμένη θέση του τσοκ, ελαττωματικό καρμπυρατέρ, σωλήνας παροχής καυσίμου λυγισμένος ή μπλοκαρισμένος, βρώμικο καύσιμο
	Συμπίεση	Καμιά συμπίεση κατά το τράβηγμα	Ελαττωματική η κάτω στεγανοποιητική φλάντζα του κυλίνδρου, φθαρμένα στεγανοποιητικά του στροφαλοφόρου, ελαττωματικό δακτύλιο του κυλίνδρου ή του πιστονιού ή ακατάλληλη στεγανοποίηση του μπουζί
	Μηχανική βλάβη	Ο εκκινητήρας δεν λειτουργεί  Γεμάτο το ρεζερβουάρ, ύπαρξη σπίθας ανάφλεξης	Σπασμένο ελατήριο του εκκινητήρα, σπασμένα εξαρτήματα μέσα στον κινητήρα  Ρυπαρό καρμπυρατέρ, καθαρίστε το
Προβλήματα θερμής εκκίνησης			
Ο κινητήρας ξεκινά αλλά σβήνει	Τροφοδοσία καυσίμου	Ρεζερβουάρ γεμάτο	Λανθασμένη ρύθμιση του καρμπυρατέρ, βρώμικο καρμπυρατέρ  Ελαττωματικό άνοιγμα του ρεζερβουάρ καυσίμου, διακοπή στο σωλήνα παροχής καυσίμου, ελαττωματικό καλώδιο ή διακόπτης STOP (ΣΤΑΜΑΤΗΜΑ)
Ανεπαρκής απόδοση	Πολλά συστήματα μπορεί να είναι ταυτόχρονα ελαττωματικά	Ανεπαρκές ρελαντί του κινητήρα	Βρώμικο φίλτρο αέρα, βρώμικο καρμπυρατέρ, σιγαστήρας βουλωμένος, αγωγός εξάτμισης στον κύλινδρο βουλωμένος

Χρόνος Λειτουργίας	Στοιχείο	Πριν τη	Μετά τη	Καθημερινά	25 ώρες	50 ώρες	200 ώρες	Παύση/ αποθήκευση
		λειτουργία	λειτουργία	(10 ώρες)				
	Ολόκληρη η συσκευή	Επιθεωρήστε οπτικά	○					
Λάδι κινητήρα	Επιθεώρηση	○						
	Αντικατάσταση					○*1		
Σφίξιμο εξαρτημάτων (μπουλόνι, παξιμάδι)	Επιθεώρηση	○						
Ρεζερβουάρ καυσίμου	Επιθεώρηση	○						
	Αποστράγγιση καυσίμου							○*3
Χειριστήριο γκαζιού	Έλεγχος λειτουργίας	○	○					
Διακόπτης διακοπής	Έλεγχος λειτουργίας	○	○					
Ταχύτητα ρελαντί	Έλεγχος/ρύθμιση			○				
Φίλτρο αέρα	Καθάρισμα			○				
Μπουζί	Επιθεώρηση			○				
Ψυκτικός αεραγωγός	Καθάρισμα/ επιθεώρηση			○				
Σωλήνας καυσίμου	Επιθεώρηση			○				
	Αντικατάσταση						◎*2	
Φίλτρο καυσίμου	Καθάρισμα/ αντικατάσταση					○		
Διάκενο βαλβίδας (βαλβίδα εισαγωγής και βαλβίδα εξαγωγής του αέρα)	Έλεγχος/ρύθμιση						◎*2	
Λεπτομερής επιθεώρηση κινητήρα							◎*2	
Καρμπυρατέρ	Αποστράγγιση καυσίμου							○*3
Θύρα τροφοδοσίας λαδιού αλυσίδας	Καθάρισμα			○				
Οδηγητική λάμα	Καθαρίστε το αυλάκι και τη θύρα τροφοδοσίας του λαδιού της αλυσίδας			○				
	Επιθεώρηση			○				
	Γρασάρισμα			○				
Κιβώτιο ταχυτήτων	Γρασάρισμα				○			
Γρανάζι	Επιθεώρηση					○		
Αλυσίδα πριονιού	Αντικαταστήστε ή ζητήστε να ακονιστεί							○*4

\*1 Εκτελέστε την αρχική αντικατάσταση μετά από 20 ώρες λειτουργίας.

\*2 Για τον έλεγχο των 200 ωρών λειτουργίας, απευθυνθείτε σε εξουσιοδοτημένο κέντρο επισκευών.

\*3 Μετά το άδειασμα του ρεζερβουάρ καυσίμου, συνεχίστε τη λειτουργία του κινητήρα για την αποστράγγιση του καυσίμου στο καρμπυρατέρ.

\*4 Αν απαιτείται.

## ΕΠΙΛΥΣΗ ΠΡΟΒΛΗΜΑΤΩΝ

Πριν ζητήσετε βοήθεια για επισκευές, ελέγξτε το πρόβλημα μόνοι σας. Εάν βρεθεί κάποια ανωμαλία, χειριστείτε το μηχανήμα σας σύμφωνα με τα όσα περιγράφονται σε αυτό το εγχειρίδιο. Ποτέ μην προσπαθήσετε να αποσυναρμολογήσετε το οποιοδήποτε εξάρτημα ενάντια σε όσα περιγράφονται. Για επισκευές, ελάτε σε επαφή με τον εξουσιοδοτημένο αντιπρόσωπο του σέρβις ή την τοπική αντιπροσωπεία.

Κατάσταση προβλήματος	Πιθανή αιτία (δυσλειτουργία)	Αποκατάσταση
Ο κινητήρας δεν ξεκινά	Αστοχία λειτουργίας της αντλίας προέγχυσης.	Σπρώξτε 7 με 10 φορές.
	Χαμηλή ταχύτητα τραβήγματος του κορδονιού του εκκινήτηρα.	Τραβήξτε πιο δυνατά.
	Έλλειψη καυσίμου.	Προσθέστε καύσιμο.
	Βουλωμένο φίλτρο καυσίμου.	Καθαρίστε το.
	Αποσυνδεδεμένος σωλήνας καυσίμου.	Συνδέστε σωστά το σωλήνα καυσίμου.
	Λυγισμένος σωλήνας καυσίμου.	Ισιώστε το σωλήνα καυσίμου.
	Αλλοιωμένο καύσιμο.	Το αλλοιωμένο καύσιμο καθιστά την εκκίνηση πιο δύσκολη. Αντικαταστήστε με καινούργιο καύσιμο. (Συνιστώμενη αντικατάσταση: 1 μήνας).
	Υπερβολική αναρρόφηση καυσίμου.	Τοποθετήστε το μοχλό του γκαζιού από την ενδιάμεση ταχύτητα στην υψηλή ταχύτητα και τραβήξτε το χερούλι του εκκινήτηρα έως ότου να ξεκινήσει ο κινητήρας. Όταν ξεκινήσει ο κινητήρας, η αλυσίδα του πριονιού αρχίζει να περιστρέφεται. Δώστε μεγάλη προσοχή στην αλυσίδα. Εάν ο κινητήρας εξακολουθεί να μην ξεκινά, αφαιρέστε το μπουζί, στεγνώστε το ηλεκτρόδιο, και επανατοποθετήστε τα στην αρχική τους θέση. Στη συνέχεια, ξεκινήστε όπως έχει καθοριστεί προηγουμένως.
	Αποσυνδεδεμένο καπάκι του μπουζί.	Συνδέστε καλά.
	Ρυπαρό μπουζί.	Καθαρίστε το.
	Μη φυσιολογικό διάκενο του μπουζί.	Ρυθμίστε το διάκενο.
	Άλλη ανωμαλία του μπουζί.	Αντικαταστήστε το.
	Μη φυσιολογικό καρμπυρατέρ.	Ζητήστε την επιθεώρηση και συντήρηση.
	Το κορδόνι του εκκινήτηρα δεν μπορεί να τραβηχτεί.	Ζητήστε την επιθεώρηση και συντήρηση.
Μη φυσιολογικό σύστημα μετάδοσης.	Ζητήστε την επιθεώρηση και συντήρηση.	
Ο κινητήρας σταματά γρήγορα Η ταχύτητα του κινητήρα δεν αυξάνεται	Ανεπαρκές ζέσταμα.	Εκτελέστε την λειτουργία προθέρμανσης.
	Ο μοχλός του τσοκ είναι τοποθετημένος στο "CLOSE" (ΚΛΕΙΣΤΟ) παρότι έχει ζεσταθεί ο κινητήρας.	Τοποθετήστε στο "OPEN" (ΑΝΟΙΚΤΟ).
	Βουλωμένο φίλτρο καυσίμου.	Καθαρίστε το.
	Ρυπαρό ή βουλωμένο φίλτρο αέρα.	Καθαρίστε το.
	Μη φυσιολογικό καρμπυρατέρ.	Ζητήστε την επιθεώρηση και συντήρηση.
Δεν παρέχεται λάδι αλυσίδας.	Μη φυσιολογικό σύστημα μετάδοσης.	Ζητήστε την επιθεώρηση και συντήρηση.
	Το ρεζερβουάρ λαδιού είναι άδειο.	Γεμίστε το ρεζερβουάρ λαδιού με λάδι αλυσίδας.
	Η θύρα τροφοδότησης λαδιού στην αλυσίδα είναι βρώμικη.	Καθαρίστε τη θύρα τροφοδοσίας λαδιού της αλυσίδας στη συσκευή και στην οδηγητική λάμα.
Δεν περιστρέφεται η αλυσίδα	Η βίδα ρύθμισης του ρυθμού τροφοδοσίας του λαδιού της αλυσίδας είναι ακατάλληλα ρυθμισμένη.	Ρυθμίστε τη βίδα ρύθμισης σωστά.
	Η οδηγητική λάμα είναι λυγισμένη ή έχει υποστεί ζημιά.	Αντικαταστήστε την οδηγητική λάμα.
↓ Σταματήστε τον κινητήρα αμέσως	Έχει πιαστεί ξένο σώμα από την αλυσίδα.	Αφαιρέστε το ξένο σώμα ενώ ο κινητήρας έχει σταματήσει.
Η μονάδα υφίσταται ανώμαλη δόνηση	Μη φυσιολογικό σύστημα μετάδοσης.	Ζητήστε την επιθεώρηση και συντήρηση.
	Σπασμένη, λυγισμένη ή φθαρμένη οδηγητική λάμα.	Αντικαταστήστε την οδηγητική λάμα.
↓ Σταματήστε τον κινητήρα αμέσως	Ξεσφιγμένη αλυσίδα.	Ρυθμίστε την τάση της αλυσίδας.
Η αλυσίδα του πριονιού δεν σταματά	Μη φυσιολογικό σύστημα μετάδοσης.	Ζητήστε την επιθεώρηση και συντήρηση.
	Υψηλή περιστροφή του ρελαντί.	Ρυθμίστε τη ταχύτητα του ρελαντί.
↓ Σταματήστε τον κινητήρα αμέσως	Πρόβλημα του καλωδίου του μοχλού του γκαζιού.	Ζητήστε από το κέντρο επισκευών να το αντικαταστήσει.
Ο κινητήρας δεν σταματά	Μη φυσιολογικό σύστημα μετάδοσης.	Ζητήστε την επιθεώρηση και συντήρηση.
	Αποσυνδεδεμένος σύνδεσμος στο διακόπτη I-O.	Συνδέστε καλά.
↓ Λειτουργήστε τον κινητήρα στο ρελαντί και τοποθετήστε τον μοχλό του τσοκ στο CLOSE (ΚΛΕΙΣΤΟ)	Μη φυσιολογικό ηλεκτρικό σύστημα.	Ζητήστε την επιθεώρηση και συντήρηση.

Όταν ο κινητήρας δεν ξεκινά μετά την λειτουργία προθέρμανσης:

Εάν δεν υπάρχει καμιά ανωμαλία στα σημεία ελέγχου, ανοίξτε το γκάζι περίπου στο 1/3 και ξεκινήστε τον κινητήρα.

MAKITA Benzinli Teleskopik Uzatmalı Testereyi satın aldığınız için teşekkür ederiz. Uzun bir geliştirme programının ve yılların bilgi ve birikiminin bir sonucu olarak ortaya çıkan MAKITA Benzinli Teleskopik Uzatmalı Testereyi sizlere sunmaktan dolayı mutluluk duyuyoruz.

Makinenin üstün performansta kullanılması için birçok konuyla ilgili ayrıntılı bilgilerin bulunduğu bu kılavuzu lütfen dikkatlice okuyun. Bu kılavuz, MAKITA Benzinli Teleskopik Uzatmalı Testereden mümkün olan en iyi sonuçları almanıza yardımcı olacaktır.



## İçindekiler

## Sayfa

Simgeler .....	236
Güvenlik talimatları .....	237
Teknik bilgiler .....	243
Parçaların gösterimi.....	244
Montaj ve ayar .....	245
Çalışmaya başlamadan önce .....	249
Çalıştırma ve durdurmayla ilgili uyarılar .....	251
Çalıştırma .....	253
Servis talimatları .....	253
Saklama.....	259

## SİMGELER

Bu kullanım kılavuzunu okurken karşılaştığınız simgeler aşağıda açıklanmıştır.

	Kullanım kılavuzunu okuyun ve uyarıları ve güvenlik önlemlerini dikkate alın!		Açık alev yasaktır!
	Gerekli önlemleri alın ve dikkatli olun!		Zincir yağı.
	Koruyucu baret, gözlük ve kulaklık kullanın.		İnsanları ve hayvanları çalışma alanından uzak tutun!
	Mutlaka koruyucu eldiven takılmalıdır!		Yakıt (Benzin)
	Altı kaymayan sağlam ayakkabılar giyin.		Motorun manuel çalıştırılması
	Makine ile izleyenler ve/veya elektrik hattı (elektrik hattına temas eden dallar da dahil) arasında en az 15 m (50 fit) bırakın. Elektrik çarpması ve/veya yaralanma riski.		İlk Yardım
	Uzatmalı testereyi kesinlikle 60°'den daha yüksek bir açıda tutmayın.		AÇIK/ÇALIŞIYOR
	Zincir devri.		KAPALI/DURUYOR
	Yasak!		Acil durdurma
	Sigara içmek yasaktır!		

## GÜVENLİK TALİMATLARI

### Genel talimatlar

- Makinenin özelliklerinin öğrenilebilmesi ve doğru çalıştırılabilmesi için kullanıcının bu kılavuzu dikkatlice okuması gerekir. Yetersiz bilgiye sahip kullanıcılar, yanlış kullanım neticesinde hem kendilerini, hem de başkalarını tehlikeye atarlar.
- Makinenin yalnızca makinenin kullanımı konusunda deneyimli kişilere verilmesi önerilir. Her zaman kullanım kılavuzunu da makineyle birlikte verin.
- Makineyi ilk defa kullanacaklar, motorlu bir kesicinin kullanılması konusunda temel bilgiler almak üzere satıcıya danışmalıdır.
- Çocukların ve 18 yaşından küçük gençlerin makineyi kullanmasına kesinlikle izin verilmemelidir. 16 yaşının üzerindeki gençler deneyimli bir eğitimci gözetiminde yalnızca eğitim amacıyla makineyi kullanabilir.
- Makineyi mutlaka çok dikkatli ve özenli bir şekilde kullanın.
- Makineyi yalnızca fiziksel olarak iyi durumda çalıştırın. Tüm işlerinizi sakın ve dikkatli bir şekilde yürütün. Başkalarının sorumluluğu da kullanıcıya aittir.
- Alkol veya uyuşturucu madde kullandıktan sonra veya kendinizi yorgun veya hasta hissediyorsanız makineyi kesinlikle kullanmayın.
- Kesinlikle makine üzerinde değişiklik yapmaya çalışmayın.
- Makinenin kullanımını kısıtlayan ulusal yönetmelikler mevcut olabilir. Uzatmalı ve zincirli testerelerin kullanımına ilişkin ülkenizde yürürlükte olan yönetmelikleri dikkate alın.

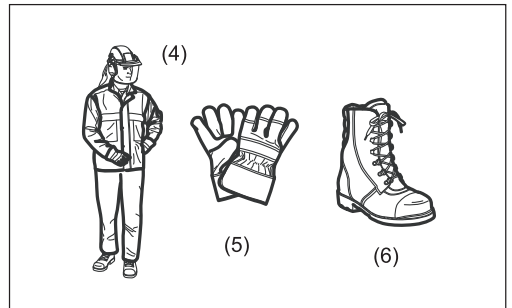
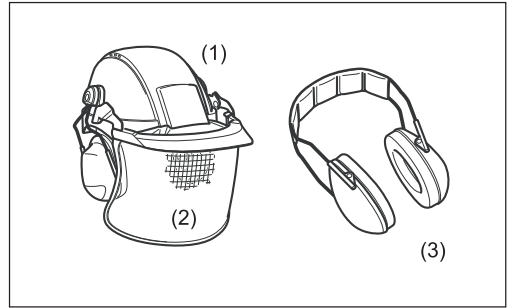


### Makinenin amaçlanan kullanımı

Bu makine yalnızca çapı 15 cm'yi geçmeyen dalların budanması için tasarlanmıştır. Makineyi kesinlikle başka bir amaçla kullanmayın. Aksi takdirde, ciddi yaralanmalar meydana gelebilir.

### Kişisel koruyucu ekipmanlar

- Kullanım sırasında giyilen kıyafetler işlevsel ve uygun olmalıdır, yani bol veya hareket kabiliyetini sınırlandıracak kadar dar olmamalıdır. Çalılara, fundalara ve makineye takılabileceğinden takı kullanmayın ve bol kıyafetler giymeyin.
- Baş, göz, el ve ayak yaralanmalarını önlemek ve kulaklarınızı korumak için, bu makinenin çalıştırılması sırasında aşağıdaki koruyucu ekipmanlar ve koruyucu kıyafetler kullanılmalıdır.
- Üzerinize bir şey düşme riski varsa mutlaka koruyucu baret takın. Koruyucu baret (1) olası hasarlara karşı düzenli aralıklarla kontrol edilmeli ve en geç 5 yılda bir değiştirilmelidir. Yalnızca onaylı koruyucu baretlere kullanın.
- Koruyucu baretin siperliği (2) (veya alternatif olarak koruyucu gözlükler) yüzünüzü sıçrayan yabancı madde ve taşlara karşı koruyacaktır. Çalışma sırasında mutlaka koruyucu gözlük veya yüz koruyucu kullanın.
- Olası duyma bozukluklarını önlemek için koruyucu kulaklık (3), kulak tıkacı vs. gibi gürültüye karşı koruyucu ekipmanlar kullanın.
- Çalışma kıyafetleri (4) sıçrayan taş ve yabancı maddelere karşı koruma sağlar. Kullanıcının iş kıyafetleri giymesini şiddetle öneriyoruz.
- Kalın deriden imal edilen özel eldivenler (5) belirtilen koruyucu ekipmanların bir parçasıdır ve çalışma sırasında mutlaka takılmalıdır.
- Makine çalıştırırken mutlaka altı kaymayan sağlam ayakkabılar (6) giyin. Sizi yaralanmalara karşı korur ve yere daha sağlam basmanızı sağlar.
- Testere zinciriyle çalışırken veya zincir gerilimini ayarlarken, koruyucu eldiven takın. Testere zinciri, çıplak olması halinde ellerinizi ciddi şekilde kesebilir.



## Çalışma alanı güvenliği

- **⚠ Tehlike:** Uzatmalı testereyi elektrik hatlarından ve iletişim kablolarından (bunlara temas eden dallar da dahil) en az 15 m uzakta tutun. Yüksek gerilim hatlarına uzatmalı testereyle dokunulması veya yaklaşılması ciddi yaralanmalara ve hatta ölüme neden olabilir. Çalışmaya başlamadan önce, çalışma alanı etrafındaki güç hatlarına ve elektrikli çitlere dikkat edin.
- Uzatmalı testereyi yalnızca gün ışığında ve görüşün açık olması halinde çalıştırın. Uzatmalı testereyi karanlıkta veya sisli havalarda çalıştırmayın.
- Motoru yalnızca dışarıda, iyi havalandırılan bir alanda çalıştırın. Motorun sıkışık veya iyi havalandırılmayan bir alanda çalıştırılması, boğulma veya karbon monoksit zehirlenmesi neticesi ölümlere yol açabilir.
- Çalıştırma sırasında kesinlikle kaygan yüzeyler veya eğimi dik alanlarda durmayın. Kış mevsiminde buza ve kara dikkat edin ve yere daima sağlam ve dengeli basın.
- Çalışma sırasında izleyenleri ve hayvanları uzatmalı testereden en az 15 m uzakta tutun. Birisi yanınıza yaklaştığında motoru derhal durdurun.
- Çalışmaya başlamadan önce çalışma alanında çitler, duvarlar ve benzeri sert nesnelere olup olmadığını kontrol edin. Aksi takdirde, testere zinciri hasar görebilir.
- **⚠ UYARI:** Bu ürünün kullanımı sonucu, solunum hastalıklarına veya diğer hastalıklara neden olabilecek kimyasal maddeler içeren tozlar meydana gelebilir. Böcek ilaçları, gübreler ve zararlı bitki zehirlerinde bulunan bileşikler bu tür maddelere örnek olarak verilebilir. Maruziyetlerden kaynaklanan riskler, bu tip işleri ne sıklıkla yaptığınıza bağlı olarak değişir. Bu kimyasal maddelere maruziyetinizi azaltmak için: iyi havalandırılan bir ortamda çalışın ve mikroskobik partiküllerin tutulması için özel olarak tasarlanmış toz maskeleri vb. gibi kişisel koruyucu ekipmanlar kullanın.

## İlk çalışma

- Makineyi monte etmeye veya ayarlamaya başlamadan önce, motoru kapalı konuma getirin ve buji kapağını çıkartın.
- Motoru çalıştırmadan önce makinede hasar veya gevşek vida/somun olup olmadığını ve kurulumunun doğru yapıldığını kontrol edin. Testere zinciri körleşmişse, bileyin. Testere zinciri bükülmüş veya hasar görmüşse, değiştirin. Tüm kontrol mandallarının ve düğmelerinin doğru çalıştığını kontrol edin. Sapları temizleyin ve kurulaştırın.
- Motor hasarlıysa veya doğru şekilde monte edilmemişse kesinlikle çalıştırmayı denemeyin. Aksi takdirde, ciddi yaralanmalar meydana gelebilir.
- Zincir gerginliğini doğru şekilde ayarlayın. Gerekirse, zincir yağını doldurun.

## Motorun çalıştırılması

- Makineyi çalıştırırken yakında çocukların veya yetişkinlerin bulunmadığından emin olun ve ayrıca çalışma alanınız içerisindeki hayvanlara dikkat edin.
- Makineyi çalıştırmadan önce kişisel koruyucu ekipmanlarınızı giyin.
- Ataşmanın takılı olduğundan ve kontrol mandalının kolay çalıştığından emin olun ve kilit açma mandalının doğru çalışıp çalışmadığını kontrol edin.
- Testere zinciri rölantide hareket ediyorsa, motoru durdurun ve rölanti hızını düşürün. Şüphelendiğiniz bir durum olursa, ayar yapması için yetkili servis merkezine danışın. Kolların temiz ve kuru olduğunu kontrol edin ve başlatma/ durdurma düğmesinin çalışmasını test edin.

Makineyi mutlaka talimatlara uygun olarak çalıştırın.

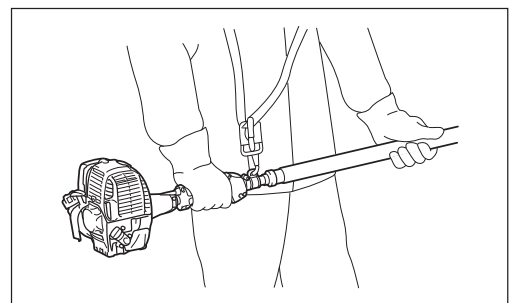
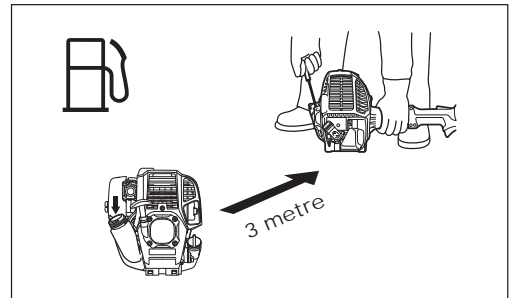
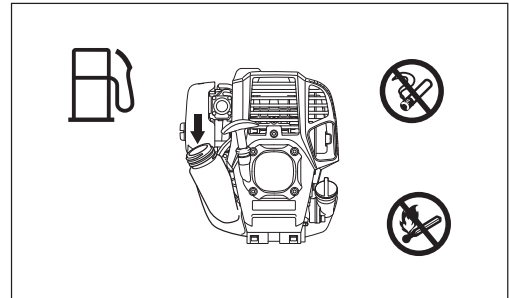
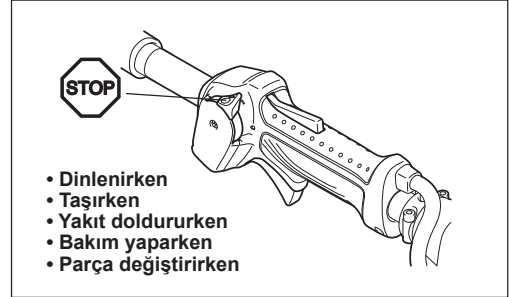
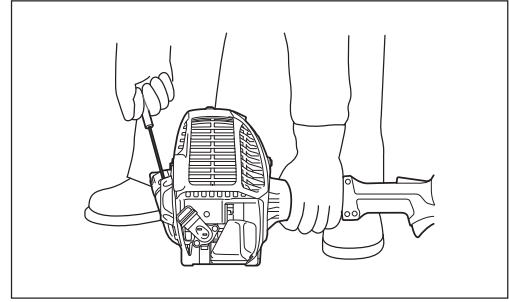
- Motoru çalıştırmak için başka bir yöntem kullanmayın!
- Makineyi sağlam bir zemin üzerine bırakın. Dengenizi koruyun ve yere sağlam basın.
- Marş kolunu çekerken, makineyi sol ayağınızla zemine sağlam şekilde bastırın. Kesinlikle tahrik şaftı üzerine basmayın.
- Motoru çalıştırmadan önce, çalışma alanında başkalarının veya hayvanların bulunmadığından emin olun.
- Motoru çalıştırırken, testere zincirini ve kılavuz kolu vücudunuzdan ve zemin de dahil diğer nesnelere uzakta tutun. Testere zinciri, çalıştırılırken hareket edebilir ve ciddi yaralanmalara, testere zinciri hasarlarına veya diğer maddi hasarlara neden olabilir.
- Herhangi bir motor probleminde motoru derhal durdurun.
- Testere zincirinin taş veya benzeri sert bir cisme çarpması halinde, derhal motoru durdurun ve makineyi kontrol edin.
- Makineyi yalnızca omuz askısı takılıken çalıştırın ve çalıştırmadan önce omuz askısının doğru şekilde ayarlandığını kontrol edin. Kullanım sırasında yorgunluğa veya ağrıya neden olmaması için omuz askısının kullanıcıya göre ayarlanması çok önemlidir. Makineyi kesinlikle kullanım sırasında tek elle tutmayın.
- Omuz askısını mutlaka motor rölantide çalışırken takın. Çalıştırma sırasında makineyi sağ tarafınızda sıkıca tutun.
- Çalıştırma sırasında, makineyle birlikte verilen tüm koruyucu ekipmanlar ve muhafazalar kullanılmalıdır.
- Çıkış susturucusu arızalı bir motoru kesinlikle çalıştırmayın.
- Acil durumlar dışında makineyi kesinlikle yere atmayın veya bırakmayın; aksi takdirde makine ciddi şekilde hasar görebilir.

## Yakıt doldurma

- Yakıt doldururken motoru kapatın, makineyi açık alevlerden uzaklaştırın ve sigara içmeyin.
- Madeni yağ ürünlerinin cildinize temas etmesine izin vermeyin. Yakıt buharını solumayın. Yakıt doldururken daima koruyucu eldiven takın. Koruyucu kıyafetlerinizi düzenli aralıklarla değiştirin ve temizleyin.
- Toprağın kirlenmesini önlemek (çevreyi korumak) için yakıt veya yağ dökülmemesine dikkat edin. Yakıt dökülürse, makineyi derhal temizleyin.
- Yakıtın kıyafetlerinize bulaşmasına izin vermeyin. Yakıt dökülürse (kıyafetlerinizin tutuşmaması için) kıyafetlerinizi derhal değiştirin.
- Yakıt kapağının sağlam şekilde kapandığından ve yakıt kaçırmadığından emin olmak için düzenli aralıklarla kontrol edin.
- Yakıt deposu kapağını dikkatlice sıkın. Motoru çalıştırmak için yerinizi değiştirin (yakıt doldurduğunuz yerden en az 3 metre uzağa gitmelisiniz).
- Kesinlikle kapalı odalarda yakıt doldurmayın. Yakıt buharı zemin seviyesinde birikebilir (patlama riski).
- Yakıtları yalnızca onaylı kaplarda taşıyın ve saklayın. Saklanan yakıtta çocukların erişemeyeceğinden emin olun.

## Çalıştırma yöntemi

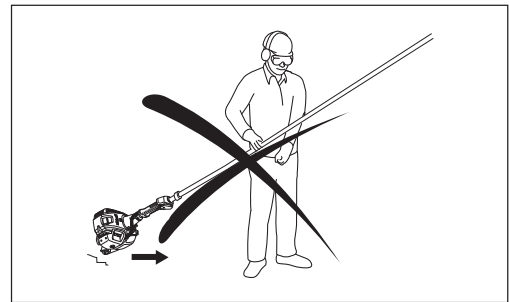
- Acil bir durumda motoru derhal durdurun.
- Çalışma sırasında normal olmayan bir durum (örn. gürültü, titreşim) hissederseniz, motoru derhal durdurun. Bu durumun nedeni bulunup çözülene kadar makineyi kullanmayın.
- Kısmen mandalı serbest bırakıldıktan testere zinciri kısa bir süre daha hareket etmeye devam edecektir. Bu nedenle, testere zincirine temas etmek için acele etmeyin.
- İster solak, ister sağlak olun makinenin ön sapını sol elinizle ve arka sapını sağ elinizle kavrayın. Parmaklarınızı ve baş parmağınızı kollar etrafına kenetleyin.
- Makineyi kesinlikle tek elle kullanmaya çalışmayın. Kontrolü kaybetmeniz ciddi ve hatta ölümcül kazalara yol açabilir. Yaralanma riskini azaltmak için, ellerinizi ve ayaklarınızı bıçaklardan uzak tutun.
- Fazla ileriye uzanmaya çalışmayın. Her zaman yere sağlam basın ve dengeyi koruyun.
- Tökezlememek için ağaç kütükleri, kökler ve hendekler gibi gizli engellere dikkat edin. Düşen dalları ve diğer nesnelere ortadan kaldırın.
- Makine ağır bir darbe alırsa veya düşerse, çalışmaya devam etmeden önce durumunu kontrol edin. Yakıt kaçağı olup olmadığını tespit etmek için yakıt sistemini ve arıza olup olmadığını tespit etmek için kontrol ve güvenlik cihazlarını kontrol edin. Herhangi bir hasar veya şüphelendiğiniz bir durum varsa, Makita yetkili servis merkezine kontrol ve onarım talebinde bulunun.
- Dişli kutusuna dokunmayın. Dişli kutusu, çalışma sırasında ısınır.



- Kısa süre de olsa makinenin başından ayrılırken mutlaka motoru kapalı konuma getirin. Motoru çalışırken makinenin başından ayrılmaz halinde, makine yetkili olmayan bir kişi tarafından kullanılabilir ve neticesinde ciddi kazalar meydana gelebilir.
- Çevreye duyarlı olun. Kirliliğin ve gürültü emisyonunun azaltılması için kısma mandalını gereksiz yere kullanmaktan kaçının. Karbüratörü doğru şekilde ayarlayın.
- Çalışma sırasında sıcak makineyi kuru çimler veya tutuşabilir malzemeler üzerine bırakmayın.
- Sağ elinizi omuz yüksekliğinizin üzerine kaldırmayın.
- Çalışma sırasında testere zincirini kesinlikle taş veya çivi gibi sert nesnelere çarpmayın. Duvarlara, tel çitlere vb. yakınındaki dalları keserken özellikle dikkat edin.
- Testere zincirine dallar sıkışırsa, motoru kapalı konuma getirin ve buji kapağını çıkartın. Aksi takdirde, istem dışı çalıştırma neticesinde ciddi yaralanmalar meydana gelebilir.
- Testere zinciri tıkanırsa, motoru kapalı konuma getirin ve tıkanıklığı gidermeye başlamadan önce buji kapağını çıkartın.
- Testere zinciri tıkalıyken motorun hızlandırılması, yükü arttıracak ve neticesinde motorun ve/veya kavramanın hasar görmesine neden olabilecektir.
- Büyük dalları kesmeden önce, dal düştüğünde nereye kaçacağını hesaplayın. Öncelikle çalışma alanındaki dallar vb. gibi engelleri ortadan kaldırın. Tüm aletleri ve eşyaları kaçış alanından güvenli bir yere taşıyın.
- Dalları kesmeye başlamadan önce dalların durumunu, yandaki ağaçları, rüzgarı vb. dikkate alarak dalların düşme yönünü hesaplayın. Düşme yönünü ve dal yere çarptıktan sonra sıçrayacağı yönü çok dikkatli bir şekilde değerlendirin.
- Uzatmalı testereyi kesinlikle 60°'den daha yüksek bir açıda tutmayın. Aksi takdirde, düşen nesnelere kullanıcıya çarparak ciddi yaralanmalara neden olabilir. Kesinlikle kesilen dalın altında durmayın.
- Kırılan veya bükülen dallara dikkat edin. Kesim sırasında geri fırlayarak beklenmeyen yaralanmalara yol açabilir.
- Kesilmek istenen dalları kesmeye başlamadan önce, etrafındaki küçük dalları ve yaprakları temizleyin. Aksi takdirde, testere bu küçük engellere takılabilir.
- Testerenin kesim çizgisinden kaymasını önlemek için, testereyi kesim çizgisinden kaldırmadan önce kısma mandalını serbest bırakın.
- Testere zinciri kesim çizgisine sıkışırsa, motoru derhal durdurun, kesim çizgisini açmak için dalı dikkatli bir şekilde hareket ettirin ve testereyi çıkartın.
- Geri tepmelere (kullanıcıya doğru döner tepki kuvveti) izin vermeyin. Geri tepmeyi önlemek için, kesinlikle kılavuz kol ucunu kullanmayın veya darbeli kesim yapmaya çalışmayın. Kılavuz kol ucunun konumuna daima dikkat edin.
- Zincir gerginliğini sık sık kontrol edin. Zincir gerginliğini kontrol ederken veya ayarlarken, motoru kapalı konuma getirin ve buji kapağını çıkartın. Boşluk varsa, gerdirin.
- Makineyi mümkün olduğunca düşük gürültü ve kirlilik üreterek çalıştırın. Özellikle, karbüratör ayarının doğru olduğundan emin olun.
- Kesinlikle merdiven üzerindeyken makineyi çalıştırmayın.
- Kesim yapmak üzere ağaca çıkmayın.
- Kesim yapmaya başlamadan önce zincirinin tam çalışma hızına ulaşmasını bekleyin.
- Yorgunluk nedeniyle kontrolünüzü kaybetmemek için düzenli olarak mola verin. Her saat başı 10 ila 20 dakika mola vermenizi öneririz.

## Taşıma

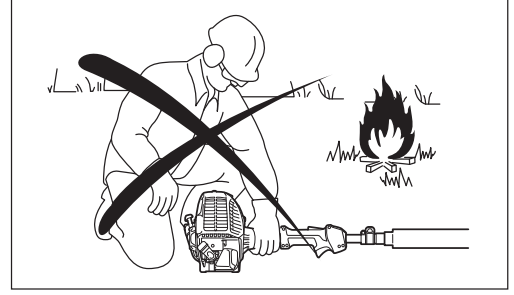
- Makineyi taşımaya başlamadan önce, motoru kapalı konuma getirin ve buji kapağını çıkartın.
- Taşıma sırasında daima kılavuz kol kapağını yerine takın.
- Makineyle birlikte verilen makine koruyucuyu daima kullanın.
- Makineyi şaftından tutarak yatak konumda taşıyın. Sıcak susturucuyu vücudunuzdan uzakta tutun.
- Makineyi bir araçla taşırken, devrilmemesi için sağlam şekilde sabitleyin. Aksi takdirde, yakıt dökülebilir ve makine ve araçtaki diğer yükler hasar görebilir.
- Makineyi taşırken motoru kapalı konuma getirin.
- Yakıt deposunun tamamen boş olduğundan emin olun.
- Makineyi kamyonundan indirirken, motoru yere düşürmemeye çalışın, aksi takdirde yakıt deposu ciddi şekilde hasar görebilir.
- Makineyi taşırken kesinlikle sürmemeniz gerektiğini unutmayın. Yakıt deposunun yere sürtünmesi çok tehlikelidir ve yakıt deposunun hasar görmesine, yakıt kaçağına ve hatta yangına yol açabilir.





## Bakım talimatları

- Makinenizin servisinin mutlaka yetkili servis merkezinde yalnızca orijinal yedek parçalar kullanılarak yapıldığından emin olun. Yanlış onarım ve kötü bakım makinenin ömrünü kısaltabilir ve kaza riskini artırabilir.
- Makinede herhangi bir bakım, onarım veya temizlik çalışması yapmadan önce, motoru kapalı konuma getirin ve buji kapağını çıkartın. Motor soğuyana kadar bekleyin.
- Yangın riskini düşürmek için, makinenin servis işlemlerini kesinlikle ateş yakınında gerçekleştirmeyin ve makineyi bu tür yerlerde saklamayın.
- Testere zincirini taşıırken daima koruyucu eldiven takın.
- Daima makine üzerindeki tozu ve kiri temizleyin. Bu işlem için kesinlikle gazolin, benzin, tiner, alkol veya benzeri bir madde kullanmayın. Aksi takdirde, plastik parçalarda renk değişimi, deformasyon veya çatlaklar meydana gelebilir.
- Her kullanımdan sonra ayar vidaları haricindeki tüm vida ve somunları sıkın.
- Testere zincirini daima keskin tutun. Testere zinciri körleşirse ve kesme performansı düşerse, Makita yetkili servis merkezinden testere zincirini bilemesini veya yenisiyle değiştirmesini isteyin.
- Bu kullanım kılavuzunda belirtilmeyen bakım veya onarım işlemlerini gerçekleştirmeye çalışmayın. Bu tür işler için Makita yetkili servis merkezine danışın.
- Makineyi düzenli aralıklarla temizleyin ve tüm vida ve somunlarının sağlam şekilde sıkıldığından emin olun.
- Makineyi daima yakıt deposu boşaltıldıktan sonra kilitle odalarda muhafaza edin.



## Saklama

- Makineyi depoya kaldırmadan önce, eksiksiz bir temizlik ve bakım çalışması uygulayın. Kılavuz kol kapağını takın. Buji kapağını çıkartın. Motor soğuduktan sonra kalan yakıtı ve zincir yağını boşaltın.
- Makineyi kuru ve çocukların ulaşamaması için yüksek veya kilitle bir yerde saklayın.
- Makineyi kesinlikle duvara vb. dayamayın. Aksi takdirde, aniden düşerek yaralanmalara neden olabilir.

İlgili ticaret birlikleri ve sigorta şirketleri tarafından belirtilen kaza önleme talimatlarını dikkate alın. Güvenliğinizi riske atmamak için, makinede kesinlikle değişiklik yapmayın.

Kullanıcı tarafından gerçekleştirilecek bakım veya onarım çalışmaları yalnızca bu kullanım kılavuzunda açıklanan işlemlerle sınırlıdır. Diğer tüm çalışmalar Yetkili Servis Merkezi tarafından gerçekleştirilecektir. Yalnızca MAKITA tarafından üretilen ve tedarik edilen orijinal yedek parçaları ve aksesuarları kullanın.

Onaylanmamış aksesuar ve parçaların kullanılması kaza riskini artırır.

MAKITA onaylanmamış ataşmanların kullanımından ve cihaz, ataşman veya aksesuarların takılmasından kaynaklanabilecek kaza ve hasarlardan dolayı sorumluluk kabul etmeyecektir.

## İlk yardım

Bir kaza durumuna karşı ilk yardım çantasının kesim çalışmasının yapıldığı yere yakın olduğundan emin olun. İlk yardım kutusundan bir şey alındığında derhal yerine yenisini koyun.

### Yardım isterken, lütfen şu bilgileri verin:

- Kazanın yeri
- Ne olduğu
- Yaralı kişi sayısı
- Yaralanma tipi
- Adınız



## Titreşim

- Kan dolaşımı zayıf olan kişilerin aşırı titreşime maruz kalması, damarların veya sinir sisteminin zarar görmesine yol açabilir. Titreşim parmaklarda, ellerde ve bileklerde şu semptomlara neden olabilir: "Uyuşma" (hissizlik), karıncalanma, ağrı, batma hissi, cilt renginin veya cildin değişmesi. Bu semptomlardan herhangi biri ortaya çıkarsa, doktora başvurun!
- "Beyaz parmak hastalığı" riskini düşürmek için, çalışma sırasında ellerinizi sıcak tutun ve makine ve aksesuarlarının bakımını gerektiği şekilde yapın.

---

## AT Uygunluk Beyanı

**Makita Corporation, sorumlu üretici firma olarak, Makita marka makine/makineler ile ilgili şu hususları beyan eder:**

Makinenin Adı: Benzinli Teleskopik Uzatmalı Testere  
Model Numarası / Tipi: EY2650H  
Teknik Özellikler: bkz. "TEKNİK BİLGİLER" tablosu  
seri üretilmiştir ve

**Şu Avrupa Yönergelerine uygundur:**

2006/42/EC

Ve şu standartlara veya standartlaştırılmış belgelere uygun olarak üretilmiştir:  
EN/ISO11680

Teknik dokümanlar şu firma tarafından saklanmaktadır:

Makita International Europe Ltd., Technical Department,  
Michigan Drive, Tongwell, Milton Keynes, Bucks MK15 8JD, İngiltere

Uzatmalı testere olarak AT Tip Muayene Sertifikası Numarası:  
4813008.13001

2006/42/EC uyarınca AT Tip Muayenesi şu kurum tarafından gerçekleştirilmiştir:  
DEKRA Testing and Certification GmbH Enderstraße 92b 01277 Dresden, Almanya  
Tanım Numarası 2140

31. 10. 2013



Tomoyasu Kato  
Müdür

Makita Corporation  
3-11-8, Sumiyoshi-cho,  
Anjo, Aichi, 446-8502, JAPAN

---

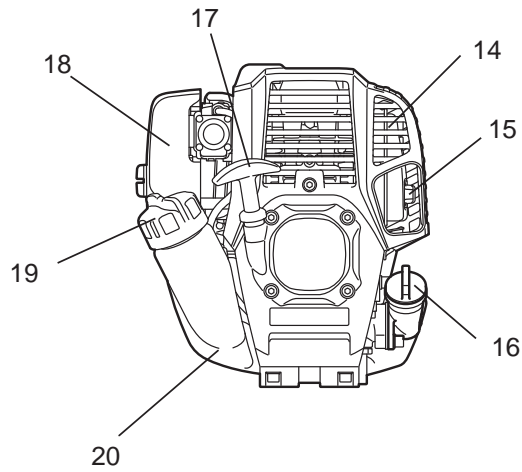
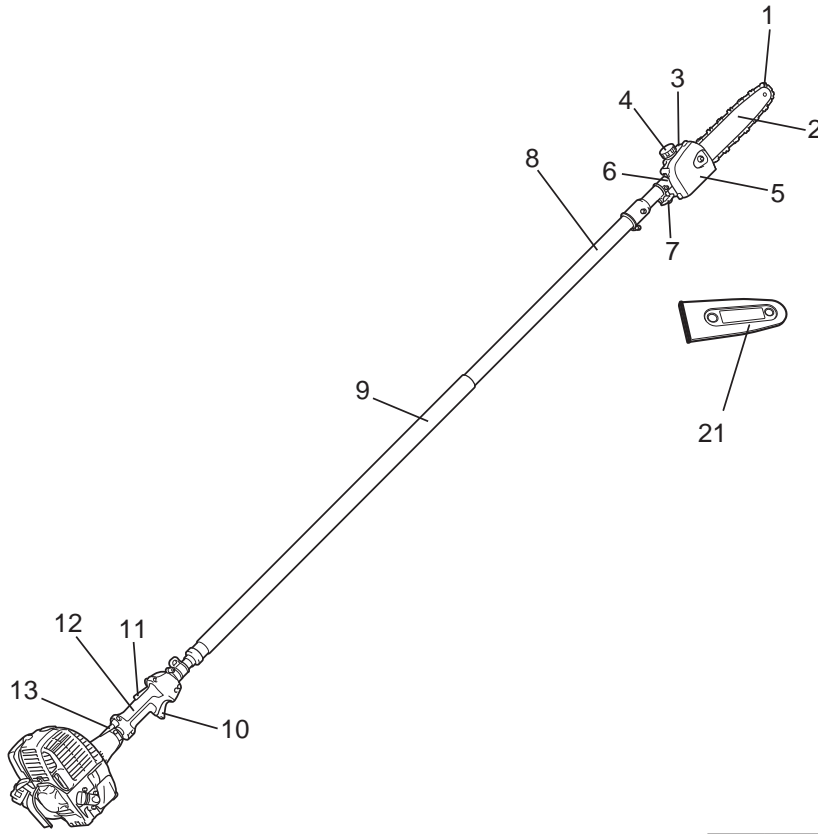
## TEKNİK BİLGİLER

Model		EY2650H		
Boyut: U x G x Y	mm	2.720-3.920 x 223 x 240		
Ağırlık	kg	7,2		
Yakıt deposu hacmi	cm <sup>3</sup>	600		
Zincir yağı deposu hacmi	cm <sup>3</sup>	120		
Motor hacmi	cm <sup>3</sup>	25,4		
Maks. zincir hızı	m/sn	21,0		
Maksimum motor performansı		7.000 dak <sup>-1</sup> 'de 0,77 kW		
Önerilen maks. mil devrinde motor devri	dak <sup>-1</sup>	10.000		
Rölanti devri	dak <sup>-1</sup>	3.000		
Kavrama devri	dak <sup>-1</sup>	4.400		
Karbüratör		Diyafram tipi		
Buji	Tipi	NGK CMR4A		
Elektrot boşluğu	mm	0,7 - 0,8		
Yakıt		Otomotiv mazotu (petrol)		
Motor yağı		API derecesi SF sınıfı ve üzeri SAE 10W-30 yağ (4 zamanlı otomobil motoru yağı)		
Kesme uzunluğu	mm	255		
Kılavuz kol uzunluğu	mm (inç)	255 (10")		
Testere zinciri		91VXL-39E		
Zincir adımı	inç	3/8"		
Zincir mesnedi	mm (inç)	1,3 (0,05")		
Zincir dişlisi diş sayısı		7		
Zincir yağı		Orijinal Makita zincir yağı		
Zincir yağı pompası		Dalma pistonlu pompa (Kendinden yağlanan tip)		
ISO 22867'ye göre titreşim	Sağ kol (arka sap)	$a_{hv\ e\ \dot{s}}$ (Şaft en kısa konumda)	m/sn <sup>2</sup>	5,3
		$a_{hv\ e\ \dot{s}}$ (Şaft en uzun konumda)	m/sn <sup>2</sup>	6,1
		Belirsizlik (K)	m/sn <sup>2</sup>	2,0
	Sol kol (ön sap)	$a_{hv\ e\ \dot{s}}$ (Şaft en kısa konumda)	m/sn <sup>2</sup>	7,2
		$a_{hv\ e\ \dot{s}}$ (Şaft en uzun konumda)	m/sn <sup>2</sup>	8,6
		Belirsizlik (K)	m/sn <sup>2</sup>	2,0
ISO 22868'e göre ortalama ses basıncı seviyesi	$L_{PA\ e\ \dot{s}}$	dBA	89,5	
	Belirsizlik (K)	dBA	2,5	
ISO 22868'e göre ortalama ses gücü seviyesi	$L_{WA\ e\ \dot{s}}$	dBA	107,3	
	Belirsizlik (K)	dBA	2,5	

- Sürekli yapılan araştırma ve geliştirmelerden dolayı, burada belirtilen özellikler önceden bildirilmeksizin değiştirilebilir.
- Özellikler ülkeden ülkeye farklılıklar gösterebilir.

## PARÇALARIN GÖSTERİMİ

EY2650H



TR	PARÇALARIN GÖSTERİMİ
1	Testere zinciri
2	Kılavuz kol
3	Yağ deposu
4	Yağ deposu kapağı
5	Kol yuvası
6	Dişli kutusu
7	Kol
8	Teleskopik şaft
9	Ön sap
10	Kısma mandalı
11	Kilit açma mandalı
12	Arka sap
13	Kontrol kablosu
14	Egzoz susturucusu
15	Egzoz borusu
16	Yağ kapağı
17	Marş kolu
18	Hava temizleyici
19	Yakıt deposu kapağı
20	Yakıt deposu
21	Kılavuz kol kapağı

## MONTAJ VE AYAR

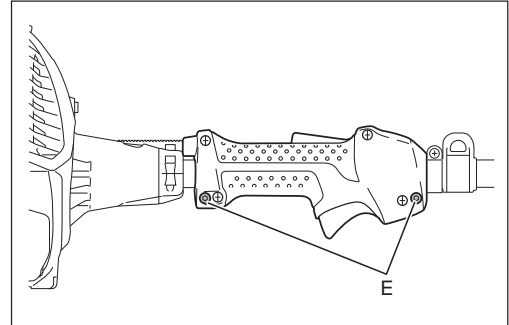
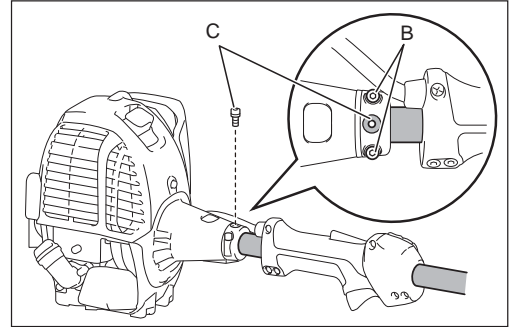
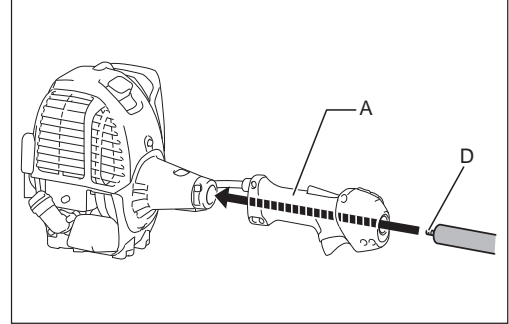
### UYARI:

- Montaj, ayar veya kontrol işlemlerine başlamadan önce, motoru kapalı konuma getirin ve buji kapağını çıkartın.
- Testere zincirini taşıırken daima koruyucu eldiven takın.
- Montaj, ayar veya kontrol işlemlerine başlamadan önce testere zincirinin soğumasını bekleyin. Testere zinciri çalışma sırasında aşırı derecede ısınabilir ve yanıklara yol açabilir.

### Şaft ve kavrama kutusunun montajı

Şaftı arka sap ve motor ünitesiyle birlikte aşağıda açıklandığı şekilde monte edin:

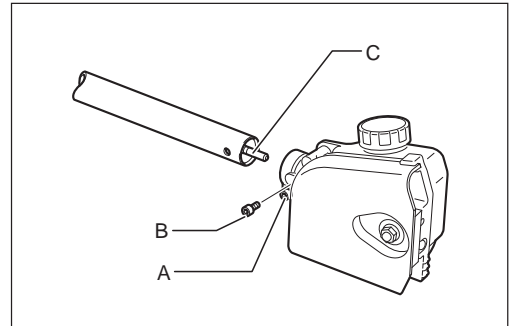
1. Şaftı arka sapa (A) yerleştirin.
2. İki adet tespit civatasını (B) gevşetin ve kavrama kutusu üzerindeki orta civatayı (C) sökün.
3. Şaftı kavrama kutusuna takın. Tam olarak takmakta zorlanıyorsanız, mili (D) bir miktar çevirin.
4. Şaft üzerindeki delikle orta civatanın deliğini hizalayın.
5. Orta civatayı sıkın.
6. İki adet tespit civatasını eşit şekilde sıkın.
7. Arka sap konumunu ayarlayın ve ardından iki adet civatayla (E) sıkın.



### Şaft ve dişli kutusunun montajı

Şaftı dişli kutusuyla birlikte şu şekilde monte edin:

1. Civatayı (A) gevşetin. Ardından, civatayı (B) sökün.
2. Şaftı dişli kutusuna takın. Tam olarak takmakta zorlanıyorsanız, mili (C) bir miktar çevirin.
3. Şaft üzerindeki delikle orta civatanın (B) deliğini hizalayın.
4. Öncelikle (B) civatasını ve ardından (A) civatasını sıkın.



## Testere zincirinin ve kılavuz kolun montajı

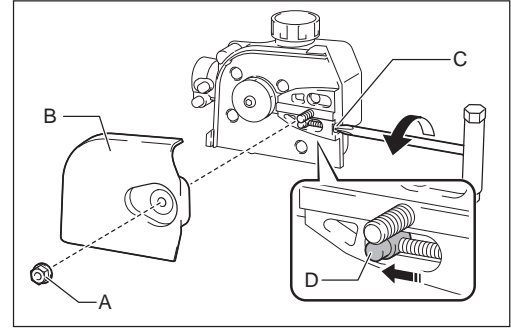
**DİKKAT:** Testere zinciri, kılavuz kol ve zincir dişlisinin birbirlerine uygun olduğundan emin olun.

Testere zincirini ve kılavuz kolu aşağıda açıklanan adımları uygulayarak takın.

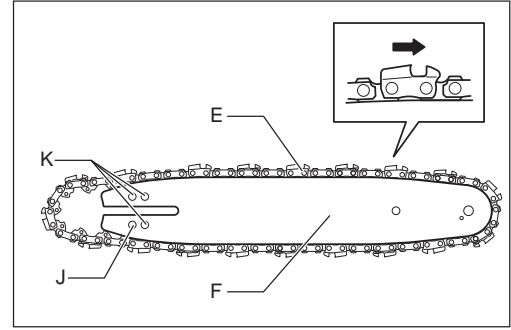
1. Somunu (A) gevşetin ve kol yuvasını (B) çıkartın.
2. Gerdirme somunu (D) sol uca temas edene kadar gerdirme vidasını (C) saat yönünün tersine çevirin.

### İKAZ:

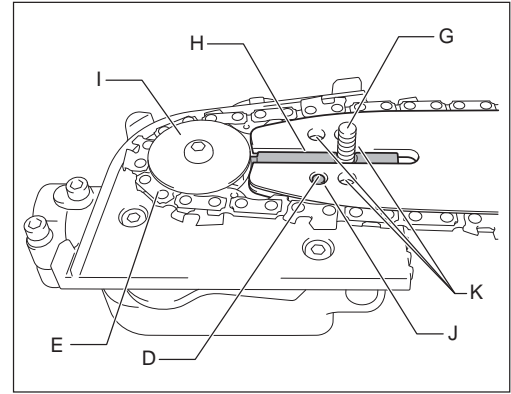
- Gerdirme vidasını saat yönünün tersine çok fazla çevirmeyin, aksi takdirde gerdirme vidası ve gerdirme somunu muhafazadan çıkabilir.



3. Testere zincirini (E) kılavuz kol (F) yuvasına yerleştirin. Prosedüre kol ucundan başlayın.



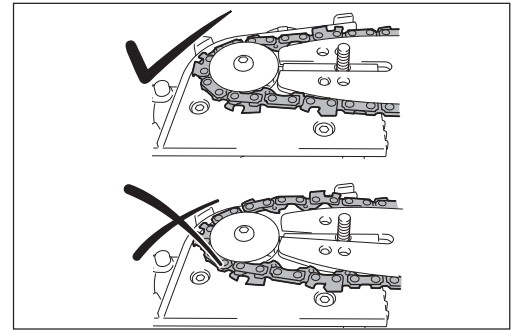
4. Konumlandırma civatasını (G) kılavuz kolun (H) tırnaklarıyla aynı hizaya getirin ve ardından testere zincirini (E) zincir dişlisine (I) yerleştirin. Testere zincirinin bu prosedür boyunca kılavuz kola tam olarak oturduğundan emin olun.
5. Kılavuz kolu (F), gerdirme somunu (D) kılavuz kol üzerindeki deliğe (J) oturacak şekilde takın. Delikler (K) kullanılmaz.



6. Testere zincirini kılavuz kol yuvasına doğru şekilde yerleştirin. Testere zinciri bu aşamada kılavuz kol yuvasına doğru şekilde yerleştirilmezse, ayarlayın ve doğru şekilde yerleştirin.
7. Kol yuvasını (B) takın ve somunu (A) sağlam şekilde sıkın. Ardından, zincir gerginliği ayarının yapılabilmesi için somunu yarım tur gevşetin.
8. Zincir gerginliğini ayarlayın. "Zincir gerginliğinin ayarlanması" başlıklı bölüme bakın.

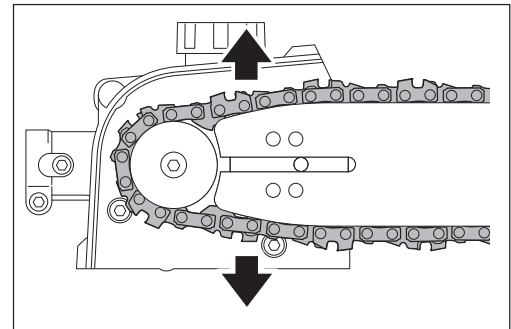
### DİKKAT:

Zincir gerginliğini daima doğru aralıkta tutun. Gerginliğin azalması testere zincirinin çıkmasına neden olabilir.



Testere zincirini ve kılavuz kolu çıkarmak için, öncelikle gerdirme vidasını (C) saat yönünün tersine çevirin.

Testere zincirinin kılavuz kol yuvasından çıkmasını sağlamak için testere zincirini dışarı doğru çekin ve ardından muhafazadan çıkartın.



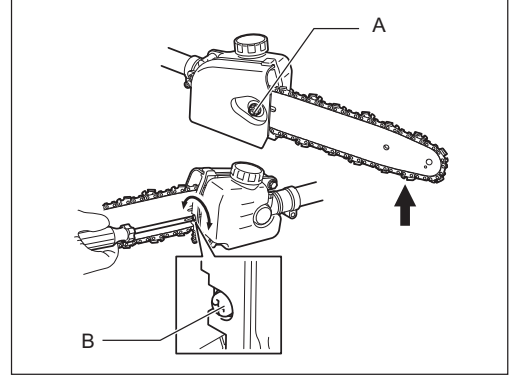
## Zincir gerginliğinin ayarlanması

### DİKKAT:

- Gerekli zincir gerginliğini sağlayın. Gergin olmaması, testere zincirinin kullanım sırasında çıkmasına neden olabilir. Çok gergin olursa da testere zinciri veya kılavuz kol hasar görebilir.
- Çalışma sırasında, zincir gerginliğini sık sık kontrol edin. Testere zinciri, çalışma sırasında gerilir ve gevşer. Yeni bir testere zinciri kullanılıyorsa, gerginliği daha sık ayarlayın.

Zincir gerginliğini ayarlamak için aşağıda açıklanan adımları uygulayın.

1. Somunu (A) yarım tur gevşetin.
2. Kol ucunu yukarı bacak şeklide tutun. Gerdirme vidasını (B) testere zinciri kılavuz kol altına rahat şekilde oturana kadar saat yönünde çevirin.
3. Testere zincirini kılavuz kolun orta bölümünde tutun ve yukarı doğru kaldırın. Kılavuz kol ile testere zinciri bağlantı kayışı arasındaki boşluk yaklaşık 3 - 4 mm (0,118"-0,157") olmalıdır. Aksi takdirde, gerdirme vidasını saat yönünün tersine bir miktar çevirin ve 2. adımı tekrar uygulayın.
4. Somunu (A) sağlamca sıkın.
5. Gerekirse, düşmesini önlemek için gerdirme vidasını bir miktar sıkın.



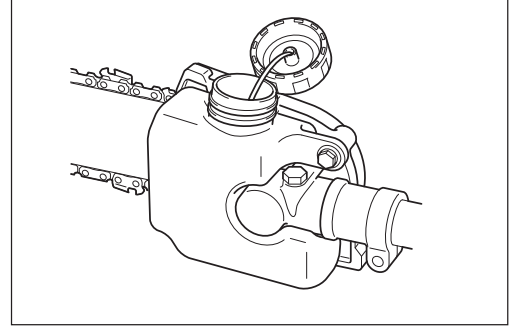
## Zincir yağı deposunun doldurulması

Testere zinciri mutlaka çalışması sırasında zincir yağıyla yağlanmalıdır. Çalıştırmadan önce, zincir yağı deposunu doldurun. Yağ doldurduktan sonra, yağ deposu kapağını sağlamca sıkın. Yalnızca orijinal Makita zincir yağı kullanın.

### İKAZ:

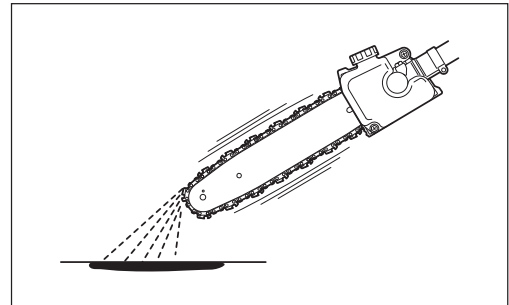
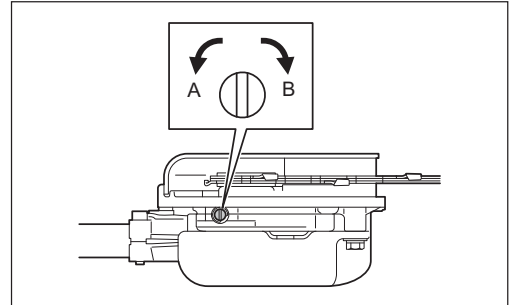
- Kesinlikle atık yağ kullanmayın. Aksi takdirde, yağ pompası hasar görebilir.
- Zincir yağını doldururken tozlu ortamlardan uzak durun. Toz ve diğer yabancı maddeler yağ besleme sistemine zarar verebilir.

Çalışma sırasında, daima yağ seviyesine dikkat edin. Yağ seviyesi düştüğünde depoyu doldurun. Depo yaklaşık 40 dakikalık çalıştırma (zincir yağlama ayarına göre değişir) sonrası boşalır.



## Zincir yağı besleme hızının ayarlanması

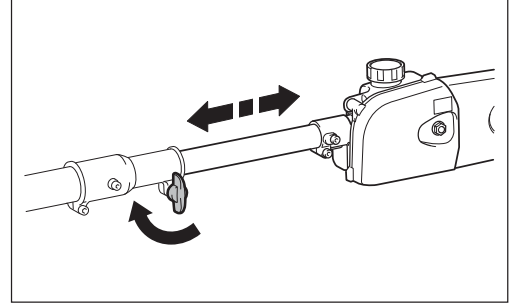
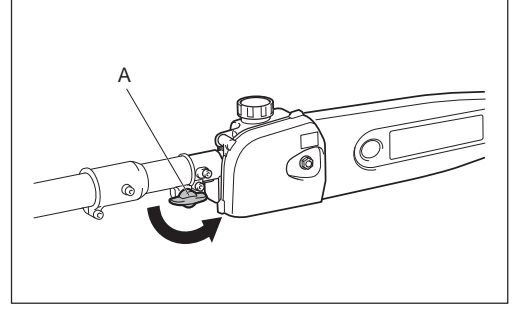
Zincir yağı besleme hızı üç kademede ayarlanır. Çalıştırma koşullarına bağlı olarak, örneğin sert dallar kesilecekse besleme hızını ayarlayın. Zincir yağı besleme hızını ayarlamak için, düz uçlu bir tornavida kullanın. Ayar vidasını bastırarak çevirin. Besleme hızını arttırmak için, ayar vidasını saat yönünün tersine (A) çevirin. Besleme hızını düşürmek için ise saat yönüne (B) çevirin. Zincir yağı besleme hızını ayarladıktan sonra makineyi orta devirde çalıştırarak besleme hızını kontrol edin.



### Uzatmalı testere uzunluğunun ayarlanması

Uzatmalı testere uzunluğunu şu şekilde ayarlayın:

1. Kolu (A) saat yönünün tersine çevirin.
2. Testere uzunluğunu ayarlayın.
3. Dişli başlığını sıkmak üzere kolu saat yönünde çevirin.



### Omuz askısı

#### Omuz askısının ayarlanması

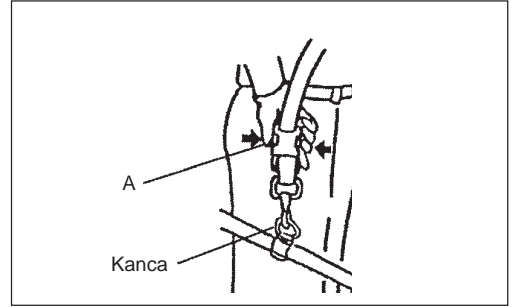
Askıyı çalışmanız için uygun uzunluğa ayarlayın.

#### Makinenin çıkartılması

Acil bir durumda, her iki taraftaki tırnaklara (A) bastırın ve makineyi çıkartın. Bu sırada makinenin kontrolünü kaybetmemek için çok dikkatli olun. Makinenin size veya çevredeki insanlara doğru savrulmasına izin vermeyin.

**UYARI:** Makinenin tam olarak kontrol edilememesi halinde, ciddi yaralanmalar ve hatta ÖLÜMLÜ kazalar meydana gelebilir.

Not: Bazı ülkelerde omuz askısında bu bağlantı kesme işlevi mevcut değildir.





## ÇALIŞMAYA BAŞLAMADAN ÖNCE

### Motor yağının kontrolü ve doldurulması

- Aşağıdaki prosedürü motor soğuduktan sonra uygulayın.
- Motoru düz şekilde yerleştirin, yağ kapağını çıkartın (Şekil 1) ve mevcut yağın yağ borusunun üst sınır ile alt sınır çizgileri arasındaki bölgede olup olmadığını kontrol edin (Şekil 2).
- Yağ yetersizse (yağ seviyesi alt sınır çizgisine yakınsa), yağ ilave edin (Şekil 3).
- Dış çizgilerin etrafındaki alan şeffaftır, bu nedenle içerideki yağ miktarı yağ kapağının çıkartılmasına gerek kalmaksızın dışarıdan kontrol edilebilir. Ancak, yağ borusu çok kirlendiğinde görüş kaybolabilir; bu durumda yağ seviyesinin, yağ borusunun içerisindeki kademeli bölümden kontrol edilmesi gerekir.
- Referans olarak, yağ doldurma süresi yaklaşık 10 saat (her 10 yakıt doldurmada bir) olarak düşünülebilir. Yağın rengi değişir veya içerisine pislik karışırsa, yağı tamamen değiştirin. (Yağ değiştirme sıklığı ve yöntemi için, bkz. sayfa 254)

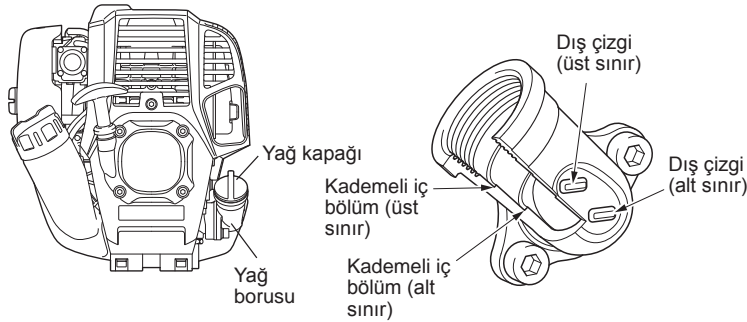
**Önerilen yağ:** API Sınıfı SAE 10W-30, SF Sınıfı ve üzeri (4 zamanlı otomobil motoru)

**Yağ hacmi:** Yaklaşık 0,08L

Not: Motor düz tutulmazsa, yağ motor etrafına girebilir ve bu da gereğinden fazla yağ doldurulmasına neden olabilir. Üst sınırın üzerinde yağ doldurulursa, yağ kirlenebilir veya beyaz bir duman çıkartarak yanabilir.

### Yağ değişimiyle ilgili uyarı 1: “Yağ kapağı”

- Yağ doldurma deliğinin etrafındaki tozları ve kirleri temizleyin ve yağ kapağını çıkartın.
- Çıkarılan yağ kapağına kum veya toz bulaşmasına izin vermeyin. Aksi takdirde, yağ kapağına bulaşan kum veya toz düzensiz yağ sirkülasyonuna veya motor parçalarında aşınmaya ve neticesinde arızalara yol açabilir.

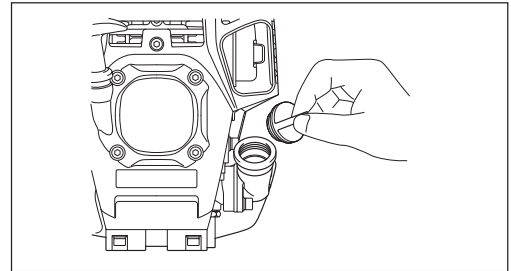


Şekil 1

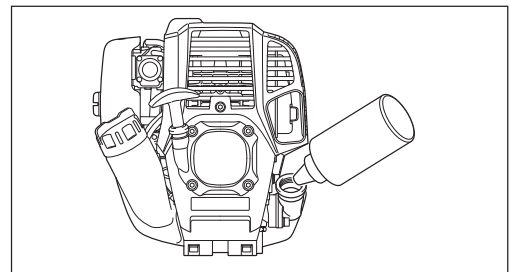
Şekil 2 Yağ borusu

Şekil 3

- (1) Motoru düz tutun ve yağ kapağını çıkartın.



- (2) Üst sınır çizgisine kadar yağ doldurun. (bkz. Şekil 3)  
Doldurma işlemi sırasında yağ şişesi kullanın.



- (3) Yağ kapağını sağlam şekilde sıkın. Yeterince sıkılmaması, yağ kaçağına neden olabilir.

### Not

- Motordaki yağı yatık bir konumda değiştirmeyin.
- Motor yatık vaziyetteyken yağ doldurulması, aşırı miktarda yağ doldurulmasına ve neticesine yağ kirlenmesine ve/veya çalışma sırasında beyaz duman çıkmasına yol açabilir.

### Yağ değişimiyle ilgili uyarı 2: “Yağ dökülürse”

- Yakıt deposu ile motor ana ünitesi arasında yağ dökülürse yağ, soğutma havası giriş deliğine çekilerek motorun kirlenmesine neden olur. Çalıştırmadan önce dökülen yağın temizlendiğinden emin olun.

## YAKIT DOLDURMA

### Yakıtın taşınması

Yakıtın mutlaka çok dikkatli bir şekilde taşınması gerekir. Yakıtlar, çözücülere benzer maddeler içerebilir. Yakıt doldurma işlemi mutlaka yeterince havalandırılan bir odada veya açık havada gerçekleştirilmelidir. Yakıt buharını kesinlikle solumayın ve yakıtı kendinizden uzakta tutun. Yakıtı sürekli veya uzun bir süre temas ederseniz, cildiniz kuruyabilir ve neticesinde cilt hastalıkları veya alerjisi meydana gelebilir. Yakıt gözünüze kaçarsa, gözünüzü temiz suyla yıkayın. Gözünüzdeki tahrişin devam etmesi halinde, doktora başvurun.

Yakıt doldurma işlemini karanlıkta veya düz olmayan zeminlerde gerçekleştirilmeyin.

### Yakıt saklama süresi

İyi havalandırılan ve doğrudan güneş görmeyen bir yerde özel bir kapta saklansa bile yakıtın 4 hafta içerisinde tüketilmesi gerekir. Özel bir kap kullanılmıyorsa veya kap kapalı tutulmuyorsa, yakıt bir günde dahi bozulabilir.

### MAKİNEİNİN MUHAFAZASI VE DEPONUN DOLDURULMASI

- Makineyi ve depoyu doğrudan güneş ışığı almayan, serin bir yerde muhafaza edin.
- Yakıtı kesinlikle araç içerisinde veya bagajda bırakmayın.

## Yakıt

Makinede dört zamanlı bir motor bulunur. Otomobil benzini (normal benzin veya süper benzin) kullanıldığından emin olun.

### Yakıtla ilgili uyarılar

- Kesinlikle motor yağı içeren benzin karışımları kullanmayın. Aksi takdirde, aşırı karbon birikimi veya mekanik hasarlar meydana gelebilir.
- Bozulmuş yakıt kullanılması, çalışma sorunlarına yol açabilir.

## Yakıt Doldurma

### UYARI: TUTUŞABİLİR MADDELERİN KULLANILMASI KESİNLİKLE YASAKTIR

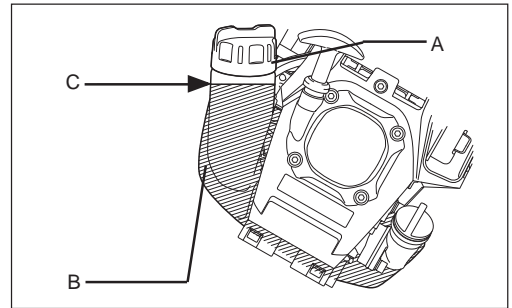
**DİKKAT:** Yakıt doldurduktan sonra yakıt deposu kapağını kapatmayı unutmayın.

Yakıt deposu kapağı açıkken kesinlikle motoru çalıştırmayın.

**Kullanılacak benzin:** Otomobil benzini (kurşunsuz benzin)

1. Yakıt dökülmesini önlemek için yakıt deposu kapağını (A) bir miktar gevşetin.
2. Yakıt deposu kapağını çıkartın. Motoru, yakıt doldurma deliği yukarı bakacak şekilde yatırın.
3. Yakıtı, yakıt deposundaki (B) havayı deşarj ederek dikkatli şekilde doldurun. (Üst yakıt sınırını (C) geçmeyin.)
4. Yabancı maddelerin yakıt deposuna girmesini önlemek için, yakıt deposu kapağının çevresini iyice temizleyin.
5. Yakıt doldurduktan sonra, yakıt deposu kapağını sıkıca kapatın.

- Depo kapağında kusur veya hasar varsa, değiştirin.
- Depo kapağı zamanla aşınır. Her iki veya üç yılda bir değiştirin.



## ÇALIŞTIRMA VE DURDURMAYLA İLGİLİ UYARILAR

### DİKKAT:

İlgili kaza önleme yönetmeliklerini dikkate alın!

### İKAZ:

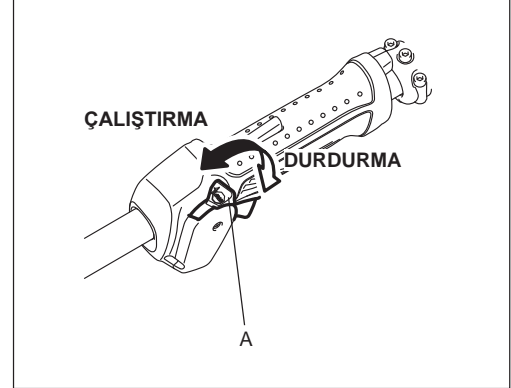
Motoru çalıştırmadan önce kılavuz kol kapağını çıkartın.

### ÇALIŞTIRMA

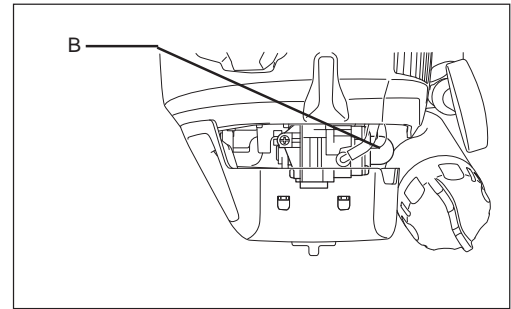
Makineyi yakıt doldurduğunuz yerden en az 3 metre uzağa taşıyın. Makineyi temiz bir zemine yerleştirin ve ataşmanın zeminle veya diğer nesnelere temas etmediğinden emin olun.

#### A: Soğuk çalışma

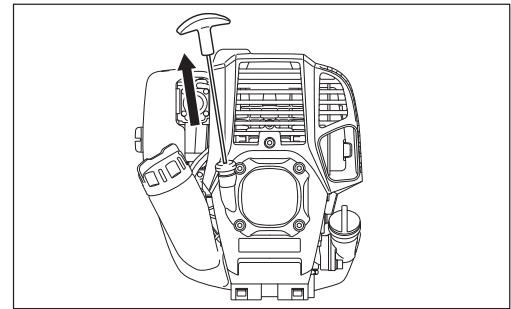
- 1) Makineyi düz bir zemin üzerine yerleştirin.
- 2) Açma/kapama düğmesini (A) ÇALIŞTIRMA konumuna getirin.



- 3) Ana pompa  
Yakıt, ana pompaya (B) girene kadar ana pompaya bastırmaya devam edin.  
(Genel olarak yakıt, ana pompaya 7 ila 10 defa basıldığında ana pompaya girer.)  
Ana pompaya çok fazla basılırsa, fazla benzin yakıt deposuna geri döner.

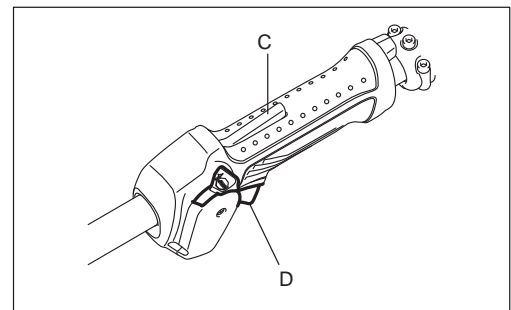


- 4) Manüel marş  
Marş kolunu gerilim hissedilene (sıkışma noktasına) kadar yavaşça çekin. Ardından, marş kolunu bırakın ve bu sefer güçlü bir şekilde çekin. İpi kesinlikle sonuna kadar çekmeyin. Marş kolu çekildikten sonra, marş kolunu hemen bırakmayın. Marş kolu başlangıçtaki konumuna dönene kadar bekleyin.



- 5) Kazara çalıştırmanın önlenmesi için kolda bir adet kilit açma mandalı (C) bulunur. Kısma mandalını (D) çekmek için, kilidi serbest bırakmak üzere kolu kavrayın (kilit açma mandalı elinizin basıncıyla basılır).

- 6) Isıtma çalıştırması  
Isıtma çalıştırmasını 2 ila 3 dakika boyunca sürdürün.



Not: Aşırı yakıt çekilmesi durumunda, bujiyi çıkartın ve fazla yakıtı boşaltmak için marş kolunu yavaşça çekin. Ayrıca, bujinin elektrot bölümünü kurutun.

### Çalıştırma sırasında dikkat edin:

Yüksüz çalıştırma sırasında kısma mandalı tam açıksa, motor devri 10.000 dak<sup>-1</sup> ve üzeri olacaktır. Motoru kesinlikle gerekenden daha yüksek bir devirde ve yaklaşık 6.000 - 8.500 dak<sup>-1</sup> devrinde kesinlikle çalıştırmayın.

### B: Isıtma çalıştırması sonrası başlatma

- 1) Ana pompaya arka arkaya bastırın.
- 2) Kısma mandalını rölanti konumunda tutun.
- 3) Manüel marşı güçlü bir şekilde çekin.
- 4) Motor zor çalışıyorsa, kısma mandalını yaklaşık 1/3 oranında açın. Ataşmanın dönebileceğine dikkat edin.

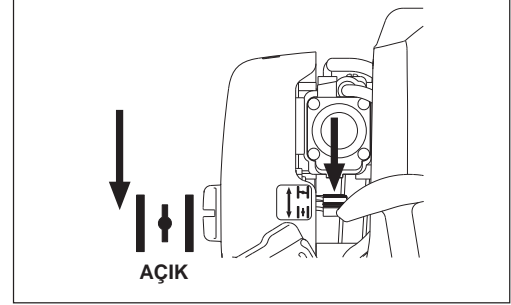
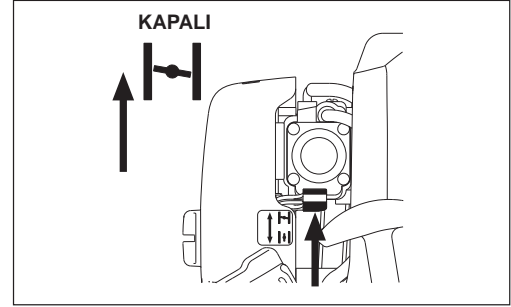
### Örneğin kış aylarında vb. motorun çalışması zorlaşırsa

Motoru çalıştırırken jikle kolunu aşağıdaki prosedürü takip ederek çalıştırın.

- 1) İla 3) arasındaki işlemleri uyguladıktan sonra, jikle kolunu KAPALI konuma getirin.
- 4) no.lu çalıştırma adımını uygulayın ve motoru çalıştırın.
- Motor çalıştıktan sonra, jikle kolunu AÇIK konuma getirin.
- 5) no.lu çalıştırma adımını uygulayın ve motoru çalıştırın.

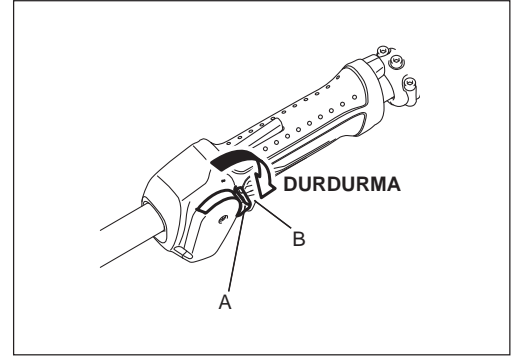
**DİKKAT:** Bir ses (patlama sesi) duyulur ve motor durursa veya henüz çalışmaya başlayan motor jikle kolu çekilmeden durursa, jikle kolunu tekrar AÇIK konuma getirin ve motoru tekrar çalıştırmak için marş kolunu birkaç defa çekin.

**DİKKAT:** Jikle kolu KAPALI konumda bırakılırsa ve marj kolu arka arkaya çok fazla çekilirse, çok fazla yakıt emilir ve motorun çalışması zorlaşır.



### DURDURMA

- 1) Kısma mandalını (B) tam olarak açın ve motor devri/dak değeri düştüğünde açma/kapama düğmesini (A) DURDURMA konumuna getirin; motor derhal duracaktır.
- 2) Ataşmanın hemen durmayabileceğine dikkat edin ve tamamen yavaşlaması için bekleyin.

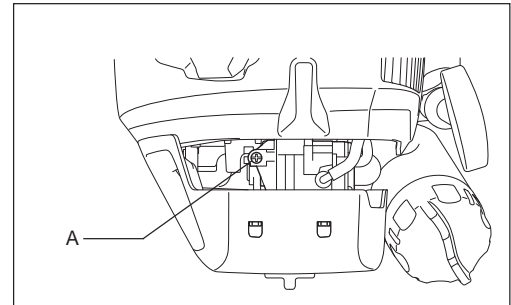


### DÜŞÜK DEVİRLİ DÖNÜŞ (RÖLANTİ) AYARI

Düşük devirli dönüş (rölanti) ayarı yapılması gerekiyorsa, bu işlemi karbüratör ayar vidasıyla (A) gerçekleştirin.

### DÜŞÜK DEVİRLİ DÖNÜŞ KONTROLÜ

- Düşük devirli dönüşü 3.000 dak<sup>-1</sup> değerine ayarlayın. Dönüş hızının değiştirilmesi gerekirse, yıldız uçlu bir tornavidayla ayar vidasıyla oynayın.
- Ayar vidasını sağa çevirdiğinizde, motor dönüş hızı artacaktır. Ayar vidasını sola çevirdiğinizde ise motor dönüş hızı düşecektir.
- Karbüratör genellikle fabrika çıkışında ayarlanır. Yeniden ayarlanması gerekiyorsa, lütfen Yetkili Servis Merkezine danışın.



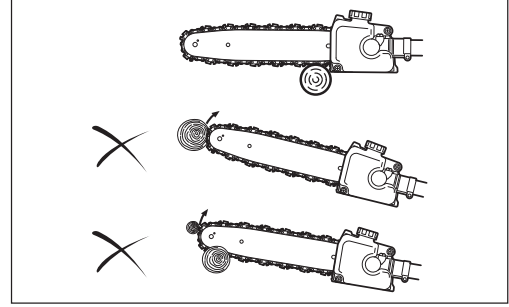
## ÇALIŞTIRMA

### Duruş konumu

- Sağlam bir zemin üzerinde durun. Uzatmalı testereyi yatay zeminle 60° açı yapacak şekilde tutun.
- Dalların kolayca düşmesini sağlamak üzere öncelikle alttaki dalları kesin.
- Kesilen bir dal operatöre doğru düşüyorsa, önceki kaçış güzergahını planlayın.

### Yöntem

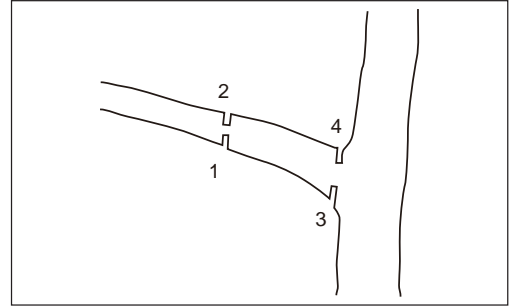
- Motoru çalıştırın ve testere zinciri tam devrine ulaşıncaya kadar kısma mandalını çekin.
- Testere zincirini dal üzerine hafifçe bastırın. Makineyi zorlamayın, aksi takdirde, makineye zarar verebilirsiniz.
- Kesme sırasında asla kılavuz kolun ucunu kullanmayın. Aksi takdirde tehlikeli geri tepmeler meydana gelebilir ve yaralanmalar ortaya çıkabilir.



### Kalın dalların kesilmesine ilişkin ipuçları

Kalın bir dal kesecekseniz, aşağıdaki yöntemi kullanın.

1. Kesmek istediğiniz noktadan bir miktar uzakta, dalın alt tarafında küçük bir çentik açın.
2. Dalı çentik açtığınız noktanın üst tarafından kesin.
3. Kesmek istediğiniz noktadan bir miktar uzakta, dalın alt tarafında küçük bir çentik daha açın.
4. Dalı üst taraftan kesmek istediğiniz noktadan kesin.



## SERVİS TALİMATLARI

**DİKKAT:** Makine üzerinde herhangi bir çalışma yapmadan önce, mutlaka motoru durdurun ve buji konektörünü bujiden çıkartın (bkz. "Bujinin kontrolü").

Daima koruyucu eldiven takın!

Kontrol edilirken veya bakımı yapılırken makineyi mutlaka yere koyun. Makinenin kurulum veya ayar çalışmalarının baş yukarı konumda gerçekleştirilmesi ciddi yaralanmalara neden olabilir.

Servis sırasında daima kılavuz kol kapağını yerine takın.

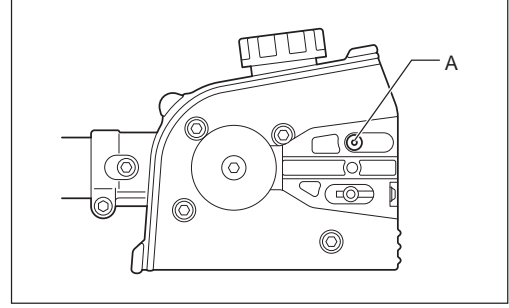
Makinenin uzun ömürlü olması ve olası hasarların önlenmesi için, düzenli aralıklarla aşağıda açıklanan servis çalışmaları gerçekleştirilmelidir.

### Günlük kontrol ve bakımlar

- Çalışmaya başlamadan önce, makinede gevşek vida veya eksik parça olup olmadığını kontrol edin. Belirtilen ataşmanın yerine tam ve güvenli şekilde takılmasına özellikle dikkat edin.
- Çalıştırmadan önce mutlaka soğutma havası geçişinin ve silindiri açıklıklarının tıkalı olup olmadığını kontrol edin. Gerekirse, bu parçaları temizleyin.
- Aşağıdaki işlemleri her gün kullanımdan sonra gerçekleştirin:
  - Makinenin dış kısmını temizleyin ve hasar olup olmadığını kontrol edin.
  - Hava filtresini temizleyin. Aşırı tozlu ortamlarda çalışıyorsanız, filtreyi günde birkaç defa temizleyin.
  - Motor rölantide çalışırken ataşmanın sabit duracağından emin olmak için, rölanti hızı ile kavrama hızı arasında yeterli farkın olup olmadığını kontrol edin (gerekirse, rölanti hızını düşürün). Rölanti koşullarında ataşman dönmeye devam ediyorsa, en yakın Yetkili Servis Personeline danışın.
- Açma/kapama düğmesinin, kilit açma mandalının ve kontrol mandalının doğru çalıştığını kontrol edin.

## Zincir yağı besleme portunun temizlenmesi

Zincir yağı besleme deliğini (A) her gün temizleyin. Bu parçaya ulaşmak için, kol yuvasını ve kılavuz kolu çıkartın.

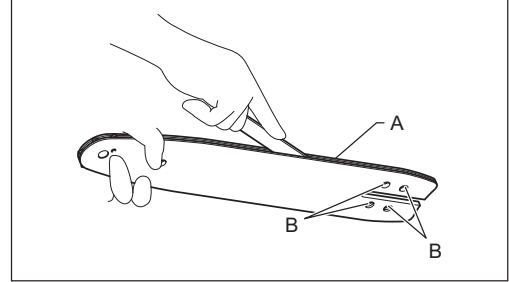


## Kılavuz kolun temizlenmesi ve kontrolü

Kılavuz kolu her gün temizleyin. Yuva (A) ve zincir yağı besleme deliği (B) üzerindeki tozları temizleyin.

Kılavuz kolun tek taraftan aşınmasını önlemek için, her değiştirdiğinizde ters çevirin veya testere zincirini bileyin.

Yuva aşınmış, bükülmüş, çatlamış veya deforme olmuşsa, kılavuz kolu değiştirin.



## Testere zincirinin kontrolü

Testere zincirinin aşındığını, deforme olduğunu veya çatladığını düşünüyorsanız veya kesim işlemi zorlaşmışsa, testere zincirini değiştirin veya Makita yetkili servis merkezinden eski testere zincirini bilemesini isteyin.

## Hareketli parçaların yağlanması

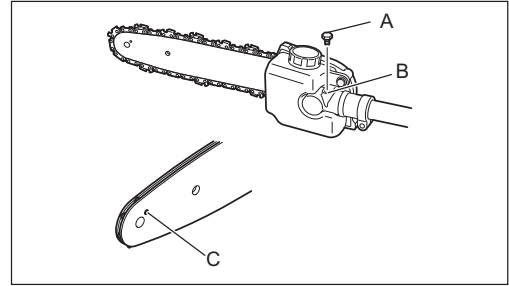
**İKAZ:** Uygulanacak gres miktarı ve uygulama sıklığı ile ilgili talimatları takip edin. Yetersiz yağlama yapılması hareketli parçalara zarar verebilir.

Dişli kutusu:

Her 25 saatlik çalışma sonrası gres tapasını (A) çıkartın ve gres deliğinden (B) lityum bazlı gres doldurun.

Kılavuz kol ucu:

Her 10 saatlik çalışma sonrası gres deliğinden (C) gres (Shell Alvania No. 2 veya muadili) uygulayın.



## MOTOR YAĞININ DEĞİŞTİRİLMESİ

Bozulmuş motor yağı kullanılması, kayar ve döner parçaların ömrünü ciddi şekilde kısaltır. Değiştirme aralıklarını ve miktarını kontrol ettiğinizden emin olun.



**DİKKAT:** Genel olarak, motor durduktan hemen sonra motor ana ünitesi ve motor yağı hala sıcaktır. Yağ değiştirilirken, motor ana ünitesinin ve motor yağının yeterince soğuduğundan emin olun. Aksi takdirde, yanık riski ortaya çıkabilir.

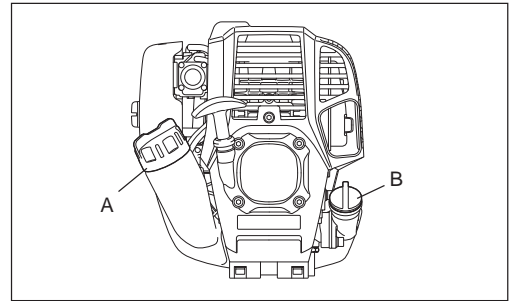
**Not:** Yağ üst sınırın üzerinde doldurulursa, kirlenebilir veya beyaz bir duman çıkartarak yanabilir.

**Değiştirme aralığı:** Başlangıçta her 20 çalışma saatinin sonunda ve daha sonra her 50 çalışma saatinin sonunda değiştirilmelidir

**Önerilen yağ:** API Sınıfı SAE10W-30 yağ, SF Sınıfı ve üzeri (4 zamanlı otomobil motor yağı)

Değiştirirken, aşağıdaki prosedürü takip edin.

- 1) Yakıt deposu kapağının (A) sıkı bir şekilde kapalı olduğunu kontrol edin.
- 2) Drenaj deliğinin (C) altına geniş bir kap (tava vb.) yerleştirin.

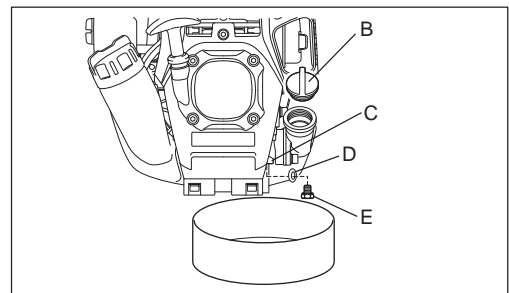


- 3) Drenaj civatasını (E) sökün ve ardından yağı drenaj deliğinden boşaltmak için yağ kapağını (B) çıkartın.

Bu sırada drenaj civatası contasını (D) kaybetmeyin ve çıkartılan parçaların hiçbirinin kirlenmesine izin vermeyin.

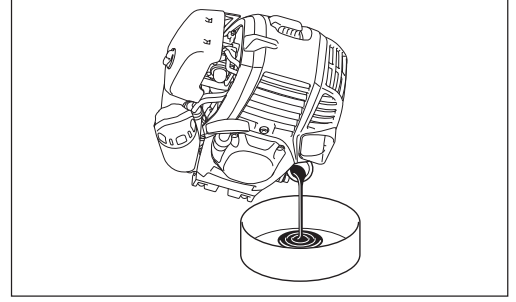
- 4) Tüm yağ boşaltıldıktan sonra, contayı ve drenaj civatasını takın ve gevşememesi ve yağ kaçaklarına neden olmaması için drenaj civatasını sağlam şekilde sıkın.

\* Biz bez parçasıyla civata ve makineye bulaşmış yağları temizleyin.

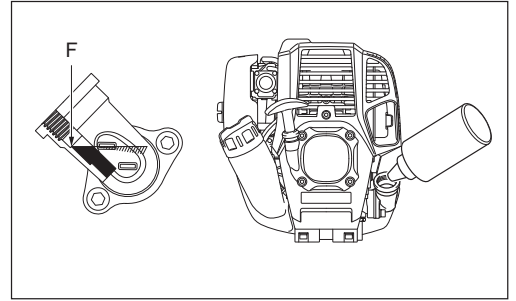
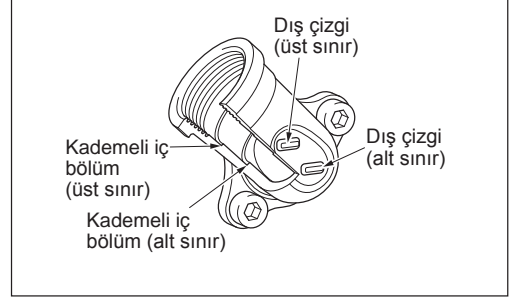


### Alternatif drenaj yöntemi

Yağ kapağını çıkartın, makineyi yağ doldurma deliğine doğru yatırın ve yağı boşaltın.  
Yağı kapta toplayın.



- 5) Motoru düz şekilde yerleştirin ve üst sınır çizgisine (F) kadar kademeli olarak yeni yağ doldurun.
- 6) Doldurma işlemi tamamlandıktan sonra, yağ kapağını gevşemeyecek ve kaçacağı neden olmayacak şekilde sağlamca sıkın.Yağ kapağı sağlam sıkılmazsa, kaçak meydana gelebilir.



### YAĞLA İLGİLİ UYARILAR

- Boşaltılan motor yağını kesinlikle çöpe, toprağa veya kanalizasyon giderine dökmeyin. Yağın bertarafı ilgili kanunlara uygun şekilde gerçekleştirilmelidir. Yağın bertarafı için daima ilgili kanun ve yönetmeliklere uyun. Bilinmeyen hususlarla ilgili olarak daima Yetkili Servis Personeline danışın.
- Kullanılmadan saklansa dahi yağ zamanla bozulur. Yağı düzenli aralıklarla kontrol edin ve değiştirin (her 6 ayda bir yeni yağla değiştirin).

## HAVA TEMİZLEYİCİSİNİN TEMİZLENMESİ



**TEHLİKE: TUTUŞABİLİR MADDELERİN KULLANILMASI  
KESİNLİKLE YASAKTIR**

**Temizlik ve kontrol aralığı: Günlük (her 10 çalışma saatinin sonunda)**

- Jikle kolunu (**D**) tamamen kapalı konuma çevirin ve karbüratördeki toz ve pislikleri temizleyin.
- Tespit civatasını (**G**) gevşetin.
- Alt tarafından çekerek hava temizleyici kapağını (**A**) çıkartın.
- Filtre elemanlarını (**B**) (**F**) çıkartın ve hafifçe vurarak içerisindeki pislikleri temizleyin.
- Filtre elemanları ağır şekilde kirlenmişse:  
Filtre elemanlarını çıkartın, sıcak suya veya suyla seyreltilmiş doğal deterjana batırın ve tamamen kurutun. Filtre elemanlarını yıkarken sıkımayın veya ovalamayın.
- Filtre elemanlarını takmadan önce, tamamen kurduğundan emin olun. Filtre elemanlarının yeterli şekilde kurutulmaması, makinenin zor çalışmasına yol açabilir.
- Hava temizleyici kapağının ve nefeslik parçasının (**E**) etrafına yapışan yağ bir bez parçasıyla temizleyin.
- Filtre elemanını (sünger) (**B**) diğer eleman (keçe) (**F**) üzerine yerleştirin. Ardından, her iki filtre elemanını sünger, hava temizleyici kapağına bakacak şekilde plakaya (**C**) yerleştirin.
- Hemen ardından, temizleyici kapağını yerine takın ve tespit civatalarıyla sıkın. (Geri montaj sırasında önce üst tırnağı ve ardından alt tırnağı takın.)

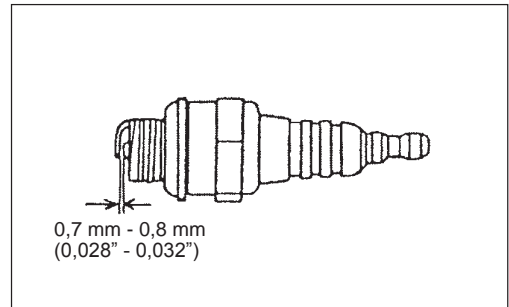
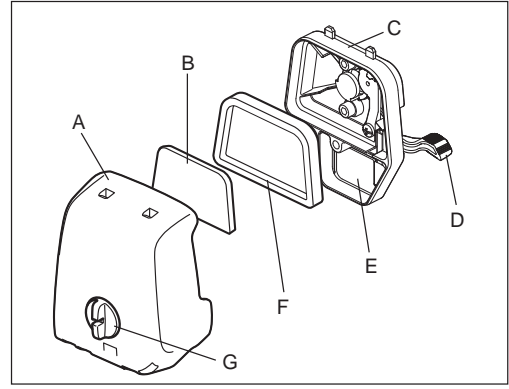
### İKAZ:

- Aşırı derecede toz yapışıyorsa, filtre elemanlarını günde birkaç defa temizleyin. Kirli filtre elemanları motor gücünü düşürür ve motorun çalışmasını zorlaştırır.
- Filtre elemanları üzerindeki yağ temizleyin. Filtre elemanlarındaki yağ temizlenmeden çalışmaya devam edilirse, hava temizleyicideki yağ dışarı akabilir ve çevrenin kirlenmesine yol açabilir.
- Filtre elemanlarını yere veya kirlili yüzeylere koymayın. Aksi takdirde, filtre elemanlarına kir veya yabancı maddeler yapışabilir ve neticesinde motor hasar görebilir.
- Filtre elemanlarını temizlemek için kesinlikle yakıt kullanmayın. Yakıt, filtre elemanlarına zarar verebilir.

### BUJİNİN KONTROLÜ

- Bujiyi sökmek ve takmak için yalnızca ürünle birlikte verilen standart anahtar kullanın.
- Bujinin iki elektrotu arasındaki boşluk 0,7 ila 0,8 mm (0,028" ila 0,032") olmalıdır. Boşluk çok geniş veya darsa, ayarlayın. Bujisi tıkanır veya kirlenirse, iyice temizleyin veya değiştirin.

**DİKKAT:** Motor çalışırken buji konektörüne kesinlikle dokunmayın (yüksek gerilimde elektrik çarpması tehlikesi).





## YAKIT FİLTRESİNİN TEMİZLENMESİ

### UYARI: TUTUŞABİLİR MADDELERİN KULLANILMASI KESİNLİKLE YASAKTIR

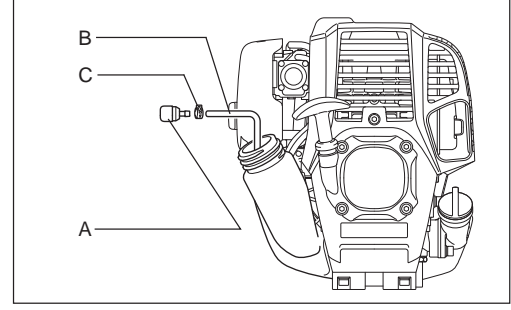
Temizlik ve kontrol aralığı: Aylık (her 50 çalışma saatinin sonunda)

#### Yakıt deposundaki emiş başlığı

Yakıt filtresini (A) düzenli olarak kontrol edin. Yakıt filtresini kontrol etmek için, aşağıdaki adımları takip edin:

- (1) Yakıt deposu kapağını çıkartın ve kalan yakıtı tahliye ederek depoyu boşaltın. Depo içerisinde yabancı madde olmadığını kontrol edin. Varsa, temizleyin.
- (2) Depo açıklığından bir tel kanca sokarak, emiş başlığını çıkartın.
- (3) Yakıt filtresi az miktarda tıkanmışsa, temizleyin. Temizlemek için, yakıt içerisinde hafifçe sallayın ve vurun. Hasar vermemek için, sıkmayın ve ovalamayın. Temizlik sırasında kullanılan yakıt mutlaka ülkenizde geçerli olan kurallara uygun bir yöntemle bertaraf edilmelidir. Yakıt filtresi sertleşmiş veya aşırı tıkanmışsa, değiştirin.
- (4) Kontrol, temizlik veya değiştirme işlemleri sonrasında yakıt filtresini yakıt borusuna (B) takın ve ardından hortum kelepçesiyle (C) sabitleyin. Yakıt filtresini, yakıt deposunun altına doğru sonuna kadar bastırın.

Tıkalı veya hasarlı yakıt filtresi, yetersiz yakıt beslenmesine ve motor gücünün düşmesine neden olabilir. Karbüratöre yeterli miktarda yakıt beslemesini sağlamak için, yakıt filtresini en az üç ayda bir değiştirin.



## YAKIT BORUSUNUN DEĞİŞTİRİLMESİ

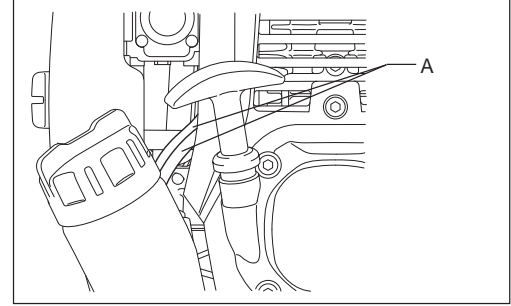
### DİKKAT: TUTUŞABİLİR MADDELERİN KULLANILMASI KESİNLİKLE YASAKTIR

Temizlik ve kontrol aralığı: Günlük (her 10 çalışma saatinin sonunda)

Değiştirme sıklığı: Yıllık (her 200 çalışma saatinin sonunda)

Çalıştırma sıklığı ne olursa olsun, yakıt borusunu (A) her yıl değiştirin. Aksi takdirde, yakıt kaçağı nedeniyle yangın tehlikesi ortaya çıkabilir.

Kontroller sırasında herhangi bir kaçak tespit ederseniz, yakıt borusunu derhal değiştirin.



## CIVATA, SOMUN VE VİDALARIN KONTROLÜ

- Gevşek civataları, somunları vb. sıkın.
- Yakıt veya yağ kaçağı olup olmadığını kontrol edin.
- Güvenli çalışma için, hasarlı parçaları yenileriyle değiştirin.

## PARÇALARIN TEMİZLENMESİ

- Motoru daima temiz tutun.
- Silindir açıklıklarına kum veya toz bulaşmasına izin vermeyin. Açıklıklara yapışan toz veya kir, pistonun sıkışmasına neden olur.

## CONTA VE SALMASTRALARIN DEĞİŞTİRİLMESİ

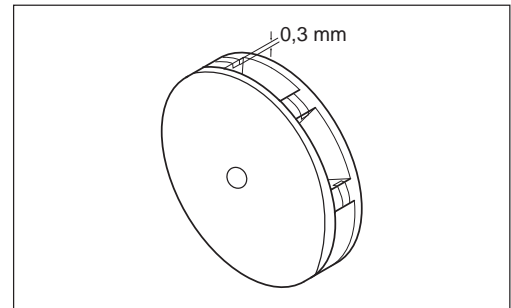
Motor söküldükten sonra geri monte edilirken, conta ve salmastraların yenileriyle değiştirildiğinden emin olun.

Bu kılavuzda belirtilmeyen veya açıklanmayan tüm bakım ve ayar çalışmaları mutlaka yalnızca Yetkili Servis Merkezi tarafından yapılmalıdır.

## ZİNCİR DİŞLİSİNİN KONTROLÜ

Zincir dişlisinin aşınma durumunu her 50 saatlik kullanım sonunda kontrol edin.

Aşınma işareti 0,3 mm veya daha derindeyse zincir dişlisini değiştirin.



## Testere zincirinin bilenmesi

### Şu durumlarda testere zincirini bileyin:

- Yaş ağaç kesilirken un gibi talaş oluşuyorsa;
- Kuvvetli baskı uygulanmasına rağmen, zincir ağaca girmekte zorlanıyorsa;
- Kesme kenarı net bir şekilde bozulmuş ve hasar görmüş ise;
- Testere ağacın içinde sola veya sağa çekiyoorsa. Bunun nedeni, testere zincirinin dengesiz bilenmiş veya sadece bir tarafın hasar görmüş olmasıdır.

### Testere zincirini düzenli olarak bileyin ancak her bilemede sadece çok ince bir tabaka alın.

Rutin bileme işi için eğeyle iki üç darbe genellikle yeterlidir. Testere zinciri birçok kez bilenmiş ise, zincirin bir MAKITA yetkili servis merkezi tarafından bilenmesini sağlayın.

### Bileme kriterleri:

- Tüm kesici uzunluğu (A) mutlaka eşit olmalıdır. Farklı uzunluklardaki bıçaklar, zincirin düzgün hareket etmesini önler ve zincirin kopmasına yol açabilir.
- Talaş kalınlığı, derinlik göstergesi (yuvarlak burun) ile kesme kenarı (B) arasındaki mesafe tarafından belirlenir.
- En iyi kesme sonuçları, kesme kenarı ile derinlik mesnedi arasındaki aşağıdaki mesafe bırakıldığında alınmıştır.  
Zincir bıçağı 91VXL: 0,64 mm (0,025")

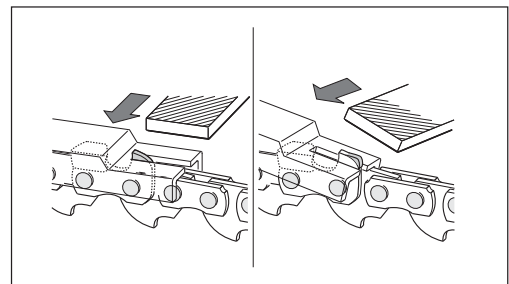
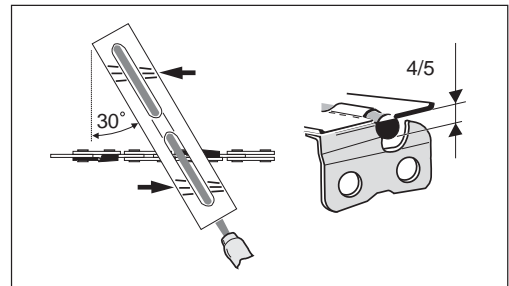
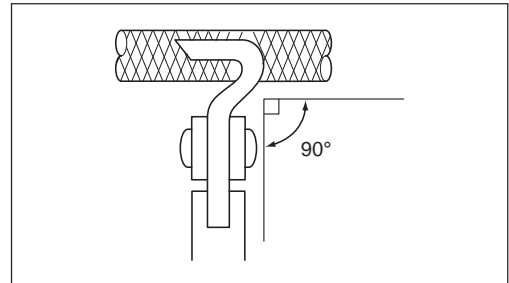
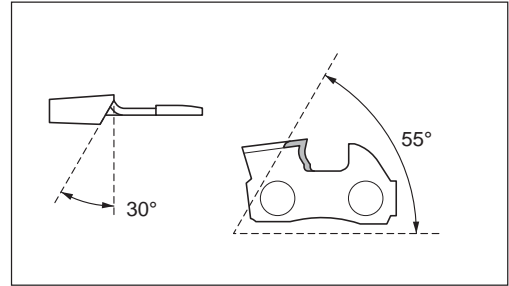
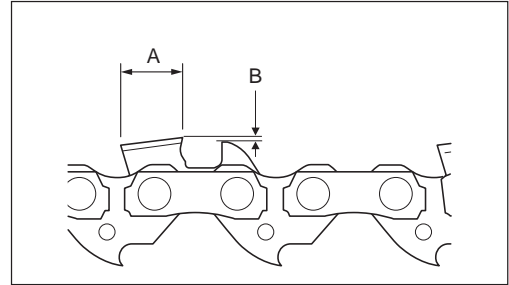


**UYARI:** Mesafenin aşırı büyük olması, geri tepme riskini artırır.

- 30°'lik bileme açısı tüm bıçaklarda aynı olmalıdır. Açılarının farklı olması, zincirin pürüzlü ve düzensiz çalışmasına, çabuk aşınmasına ve kopmasına yol açar.
- Bıçağın yan plaka açısı, yuvarlak eğenin nüfuz ettiği derinlik ile belirlenir. Belirtilen eğe kullanıldığında, doğru yan plaka açısı otomatik olarak oluşur.
- Her bir testere zinciri için uygun açılar şu şekildedir:  
Zincir bıçağı 91VXL: 55°

### Eğe ve eğe kullanımı

- Zinciri bilemek için testere zincirleri için özel yuvarlak eğeler (opsiyonel aksesuar) kullanın. Normal yuvarlak eğeler bu iş için uygun değildir.
- Her bir testere zinciri için yuvarlak eğe çapları şu şekildedir:  
Zincir bıçağı 91VXL: 4,0 mm (5/32")
- Eğe sadece ileri doğru hareketinde kesiciyle temas etmelidir. Eğeyi geriye doğru çekerken kesici üzerinden kaldırın.
- Bilemeye en kısa kesiciden başlayın. Ardından, bu en kısa kesici uzunluğu testere zinciri üzerindeki diğer tüm kesiciler için standart olarak alınır.
- Eğeyi gösterildiği şekilde ilerletin.
- Eğenin daha kolay yönlendirilebilmesi için bir eğe tutucu kullanılabilir (opsiyonel aksesuar). Eğe tutucu üzerinde, 30°'lik doğru bileme açısı işaretlenmiş (işaretleri testere zincirine paralel olarak hizalayın), aynı zamanda işleme derinliği de sınırlanmıştır (eğе çapının 4/5'i kadar).
- Zinciri biledikten sonra, derinlik mesnedinin yüksekliğini, zincir mesnedi (opsiyonel aksesuar) ile kontrol edin.
- Ne kadar küçük olursa olsun, çıkıntı oluşturan her tür malzemeyi özel bir yassı eğeyle (opsiyonel aksesuar) yok edin.
- Derinlik mesnedinin ön kısmını tekrar yuvarlatın.

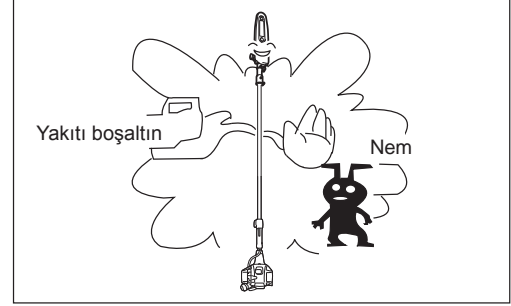




**UYARI: Yakıtı boşaltırken, motoru durdurduğunuzdan ve motorun soğuduğunu kontrol ettiğinizden emin olun. Motor, durdurulduktan sonra hala sıcak olabilir. Ünite soğuyana kadar bekleyin, aksi takdirde yangınlar veya yangın meydana gelebilir.**

Makine uzun süre çalıştırılmamışsa, şu adımları takip edin:

- Yakıt deposu ve karbüratördeki yakıtı aşağıdaki prosedürü takip ederek boşaltın:
  - 1) Yakıt deposu kapağını çıkartın ve yakıtı tamamen boşaltın. Yakıt deposunda yabancı madde kalmışsa, tamamen temizleyin.
  - 2) Yakıt filtresini bir tel yardımıyla doldurma deliğinden çıkartın.
  - 3) İçerisindeki yakıt tamamen boşalınca kadar ve bu yakıt yakıt deposuna doluncaya kadar ana pompaya basın.
  - 4) Filtreyi yakıt deposuna geri takın ve yakıt deposu kapağını sıkıca kapatın.
  - 5) Ardından, motoru durana kadar çalıştırmaya devam edin.
- Zincir yağını boşaltın.
- Testere zincirini ve kılavuz kolu çıkartın.
- Kılavuz kolun kılavuz yuvasını temizleyin.
- Testere zincirini ve kılavuz kolu hafifçe yağlayın.
- Bujiyi çıkartın ve birkaç damla motor yağının buji deliğinden damlamasını sağlayın.
- Marş kolunu, motora motor yağı dağılacak şekilde yavaşça çekin ve bujii takın.
- Genel olarak, motoru yatay konumda muhafaza edin. Mümkün değilse, makineyi motor ünitesi, kesici aletin altına gelecek şekilde yerleştirin. Aksi takdirde, motor yağı içeriden sızıntı yapabilir.
- Makine hasarlarını ve yaralanmaları önlemek için, makineyi daima güvenli bir yerde muhafaza etmeye dikkat edin.
- Çıkan yakıtı doğrudan güneş ışığı almayan ve iyi havalandırılan bir yerde özel bir kaba alın.



### Uzun süre depolama sonrası dikkat edilmesi gerekenler

- Uzun bir süre depoda kaldıktan sonra ilk defa çalıştırmadan önce motor yağı değiştirdiğinizden emin olun (bkz. "MOTOR YAĞININ DEĞİŞTİRİLMESİ"). Makinenin çalışmadığı sürede yağ bozulmuştur.

### Arıza tespiti

Arıza	Sistem	Gözlem	Nedeni
Motor çalışmıyor veya zor çalışıyor	Ateşleme sistemi	Ateşleme kıvılcımı çıkıyor	Yakıt besleme veya sıkıştırma sistemi arızası veya mekanik bir arıza mevcuttur
		Ateşleme kıvılcımı çıkmıyor	DURDURMA düğmesine basılmıştır, kablolar hatalı veya kısa devre yapmıştır, buji veya konektör arızalıdır, ateşleme modülü arızalıdır
	Yakıt besleme	Yakıt deposu doludur	Jikle konumu yanlıştır, karbüratör arızalıdır, yakıt besleme hattı bükülmüş veya tıkanmıştır, yakıt kirlidir
	Sıkıştırma	Çekildiğinde sıkışma olmuyor	Silindirin alt contası yıpranmıştır, krank mili contaları hasar görmüştür, silindir veya piston halkaları arızalıdır veya buji sızdırmazlığı hatalıdır
Sıcak başlatma sorunları	Mekanik arıza	Marş basmıyor	Marş ipi kopmuştur, motor içindeki parçalar bozulmuştur
		Depo dolu ve ateşleme kıvılcımı çıkıyor	Karbüratör kirlidir, temizletin
Motor çalışıyor, ancak hemen duruyor	Yakıt besleme	Depo dolu	Rölanti ayarı yanlıştır, karbüratör kirlenmiştir
			Yakıt deposu hava alma tertibatı arızalıdır, yakıt besleme hattı kesilmiştir, kablo veya DURDURMA düğmesi arızalıdır
Düşük performans	Aynı anda birkaç sistem etkilenmiş olabilir	Motor rölantide zayıf çalışıyor	Hava filtresi kirlenmiştir, karbüratör kirlenmiştir, susturucu tıkanmıştır, silindirdeki çıkış kanalı tıkanmıştır

Parça	Çalışma süresi		Çalışma öncesi	Yağlama sonrası	Günlük (10 sa)	25 sa	50 sa	200 sa	Kapatma/dinlenme
Tüm makine	Gözle kontrol edin	<input type="radio"/>							
Motor yağı	Kontrol edin	<input type="radio"/>							
	Değiştirin						<input type="radio"/> *1		
Parçaları sıkın (cıvata, somun)	Kontrol edin	<input type="radio"/>							
Yakıt deposu	Kontrol edin	<input type="radio"/>							
	Yakıtı boşaltın								<input type="radio"/> *3
Kısma mandalı	Çalışma kontrolü	<input type="radio"/>	<input type="radio"/>						
Durdurma düğmesi	Çalışma kontrolü	<input type="radio"/>	<input type="radio"/>						
Rölanti devri	Kontrol edin/ayarlayın			<input type="radio"/>					
Hava temizleyici	Temizleyin			<input type="radio"/>					
Buji	Kontrol edin			<input type="radio"/>					
Soğutucu hava kanalı	Temizleyin/kontrol edin			<input type="radio"/>					
Yakıt borusu	Kontrol edin			<input type="radio"/>					
	Değiştirin							<input type="radio"/> *2	
Yakıt filtresi	Temizleyin/değiştirin						<input type="radio"/>		
Vana boşluğu (giriş vanası ve çıkış vanası)	Kontrol edin/ayarlayın							<input type="radio"/> *2	
Motor bakımı								<input type="radio"/> *2	
Karbüratör	Yakıtı boşaltın								<input type="radio"/> *3
Zincir yağı besleme deliği	Temizleyin			<input type="radio"/>					
Kılavuz kol	Yuvayı ve zincir yağı besleme deliğini temizleyin			<input type="radio"/>					
	Kontrol edin			<input type="radio"/>					
	Gres uygulayın			<input type="radio"/>					
Dişli kutusu	Gres uygulayın					<input type="radio"/>			
Zincir dişlisi	Kontrol edin						<input type="radio"/>		
Testere zinciri	Değiştirin veya bileyletin								<input type="radio"/> *4

\*1 İlk değiştirmeyi 20 saatlik çalışma sonrasında gerçekleştirin.

\*2 200 saat sonra çalışma kontrolü için, yetkili servis merkezine danışın.

\*3 Yakıt deposunu boşalttıktan sonra, motoru çalıştırmaya devam ederek karbüratördeki yakıtın boşalmasını sağlayın.

\*4 Gereklikçe.

## SORUN GİDERME

Anarım talebinde bulunmadan, lütfen sorunu önce kendiniz kontrol edin. Herhangi bir anormal durum tespit ettiğinizde, makinenizi bu kılavuzda verilen açıklamalara göre kontrol edin. Hiçbir parçayı açıklamaların aksine bir şekilde değiştirmeyin ve sökmeyin. Onarım için, Yetkili Servis Merkezine veya satıcınıza başvurun.

Anormal durum	Olası nedeni (arıza)	Çözümü
Motor çalışmıyor	Ana pompa çalışmıyordur.	7 ila 10 defa basın.
	Marş ipini çekme hızınız yavaştır.	Güçlü şekilde çekin.
	Yakıt azdır.	Yakıt doldurun.
	Yakıt filtresi tıkanmıştır.	Temizleyin.
	Yakıt tüpünün bağlantısı kesilmiştir.	Yakıt tüpünü doğru şekilde bağlayın.
	Yakıt tüpü bükülmüştür.	Yakıt tüpünü düzleştirin.
	Yakıt kirlenmiştir.	Yakıtın kirlenmesi, motorun çalışmasını zorlaştırır. Yeni yakıt doldurun. (Önerilen değiştirme sıklığı: 1 ay).
	Yakıt emişi aşırıdır.	Kısma mandalını orta devire veya yüksek devire getirin ve motor çalışana kadar marş kolunu çekin. Motor çalışmaya başladığında, testere zinciri de dönmeye başlar. Testere zincirine çok dikkat edin. Motor hala çalışmazsa, bujiyi çıkartın, elektrotun kurumasını sağlayın ve bu parçaları tekrar başlangıçtaki gibi geri takın. Ardından, belirtildiği gibi çalıştırmayı deneyin.
	Buji kapağı çıkmıştır.	Sağlam şekilde takın.
	Buji kirlenmiştir.	Temizleyin.
	Buji açıklığı normal değildir.	Açıklığı ayarlayın.
	Bujide başka bir sorun vardır.	Değiştirin.
	Karbüratör normal çalışmıyordur.	Kontrol ve bakım talebinde bulunun.
	Marş ipi çekilemiyor.	Kontrol ve bakım talebinde bulunun.
Tahrik sistemi normal çalışmıyordur.	Kontrol ve bakım talebinde bulunun.	
Motor hemen duruyor Motor devri yükselmiyor	Isınma yetersizdir.	Isınma prosedürünü uygulayın.
	Motor ısınmasına rağmen, jikle kolu "KAPALI" konumdadır.	"AÇIK" konumuna getirin.
	Yakıt filtresi tıkanmıştır.	Temizleyin.
	Hava temizleyici kirlenmiş veya tıkanmıştır.	Temizleyin.
	Karbüratör normal çalışmıyordur.	Kontrol ve bakım talebinde bulunun.
	Tahrik sistemi normal çalışmıyordur.	Kontrol ve bakım talebinde bulunun.
Zincir yağı beslenmiyor.	Yağ deposu boştur.	Yağ deposuna zincir yağı doldurun.
	Zincir yağı besleme deliği kirlidir.	Başlık ve kılavuz kol üzerindeki zincir yağı besleme deliğini temizleyin.
	Zincir yağı besleme hızı ayar vidası doğru şekilde ayarlanmamıştır.	Ayar vidasını doğru şekilde ayarlayın.
Testere zinciri dönmüyor ↓ Motoru derhal durdurun	Kılavuz kol eğilmiş veya hasar görmüştür.	Kılavuz kolu değiştirin.
	Testere zincirine yabancı madde sıkışmıştır.	Motoru durdurduktan sonra yabancı maddeyi temizleyin.
Makine anormal titreşimli çalışıyor ↓ Motoru derhal durdurun	Tahrik sistemi normal çalışmıyordur.	Kontrol ve bakım talebinde bulunun.
	Kılavuz kol kırılmış, eğilmiş veya aşınmıştır.	Kılavuz kolu değiştirin.
	Testere zinciri gevşemiştir.	Testere zinciri gerginliğini ayarlayın.
Testere zinciri durmuyor ↓ Motoru derhal durdurun	Tahrik sistemi normal çalışmıyordur.	Kontrol ve bakım talebinde bulunun.
	Rölanti devri yüksektir.	Rölanti devrini ayarlayın.
	Kısma mandalı ipiyle ilgili sorun vardır.	Değiştirmesi için servis merkezine danışın.
Motor durmuyor ↓ Motoru rölantide çalıştırın ve jikle kolunu KAPALI konuma getirin	Tahrik sistemi normal çalışmıyordur.	Kontrol ve bakım talebinde bulunun.
	Açma/kapama düğmesinin konektörü çıkmıştır.	Sağlam şekilde takın.
	Elektrik sistemi normal çalışmıyordur.	Kontrol ve bakım talebinde bulunun.

Isıtma çalıştırması gerçekleştirildikten sonra, motor çalışıyorsa:

Kontrol edilen parçalarda herhangi bir anormal durum tespit edilmezse, kısma mandalını yaklaşık 1/3 tur açın ve motoru çalıştırın.





**Makita Corporation**

Anjo, Aichi, Japan

[www.makita.com](http://www.makita.com)

885326A996

ALA