



## metabo SE 18 LTX 6000 Cordless Drywall Screwdriver Instruction Manual

[Home](#) » [metabo](#) » metabo SE 18 LTX 6000 Cordless Drywall Screwdriver Instruction Manual 

# metabo®

PROFESSIONAL POWER TOOL SOLUTIONS

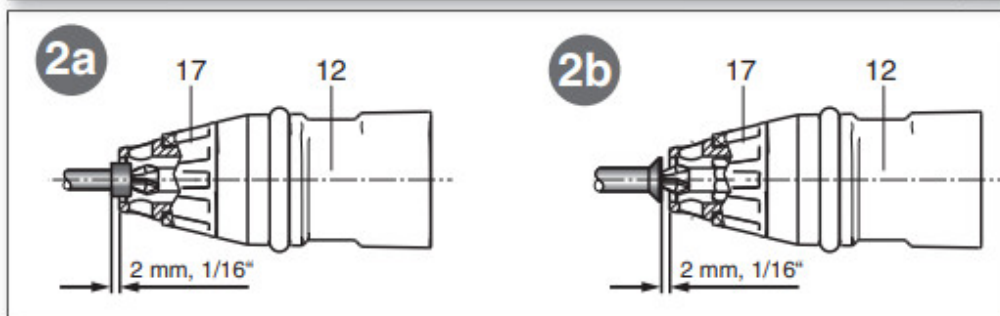
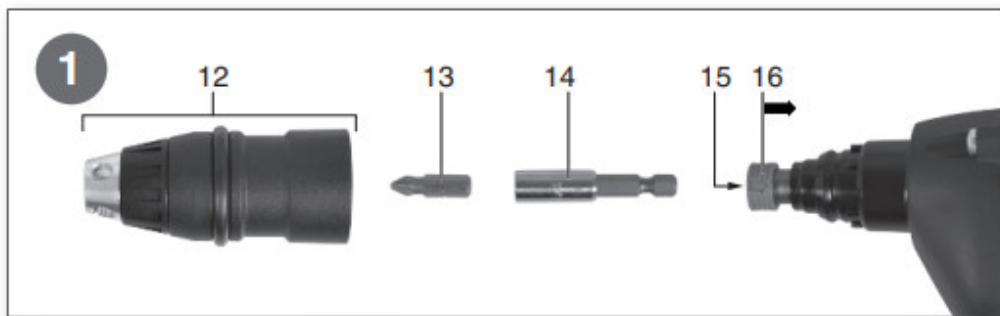
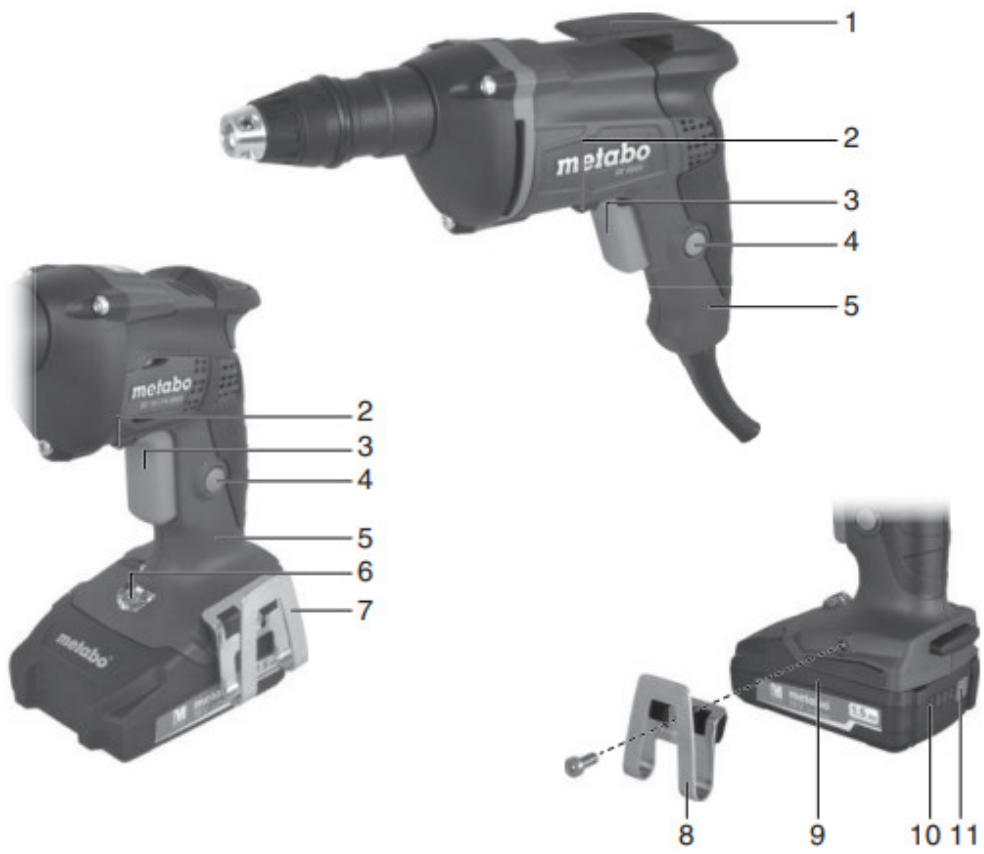
SE 18 LTX 6000 Cordless Drywall Screwdriver  
Instruction Manual

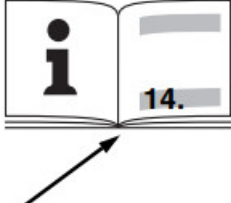


## **Contents**

- [\*\*1 SE 18 LTX 6000 Cordless Drywall Screwdriver\*\*](#)
- [\*\*2 Declaration of Conformity\*\*](#)
- [\*\*3 Specified Use\*\*](#)
- [\*\*4 General Safety Instructions\*\*](#)
- [\*\*5 Special Safety Instructions\*\*](#)
- [\*\*6 Overview\*\*](#)
- [\*\*7 Commissioning\*\*](#)
- [\*\*8 Use\*\*](#)
- [\*\*9 Tips and Tricks\*\*](#)
- [\*\*10 Troubleshooting\*\*](#)
- [\*\*11 Maintenance\*\*](#)
- [\*\*12 Accessories\*\*](#)
- [\*\*13 Repairs\*\*](#)
- [\*\*14 Environmental Protection\*\*](#)
- [\*\*15 Technical Specifications\*\*](#)
- [\*\*16 Documents / Resources\*\*](#)
  - [\*\*16.1 References\*\*](#)
- [\*\*17 Related Posts\*\*](#)

## **SE 18 LTX 6000 Cordless Drywall Screwdriver**



		SE 2500 *1) Serial N umber 200 44	SE 4000 *1) Serial N umber 200 45	SE 6000 *1) Serial N umber 200 46	SE 18 LTX 2500 *1) Serial N umber 20047	SE 18 LTX 4000 *1) Serial N umber 200 48	SE 18 LTX 6000 *1) Serial N umber 20049
U	V	–	–	–	18	18	18
P1	W	600	600	600	–	–	–
P2	W	275	275	275	–	–	–
no	min-1 (rpm)	0- 2500	0 – 4400	0 – 6200	0 – 2500	0 – 4000	0 – 6000
n1	min-1 (rpm)	1600	2600	3900	–	–	–
Tmax.	Nm	11 (97)	9 (80)	7 (62)	9 (80)	7 (62)	5 (44)
H	mm (in)	6,35 (1/4")	6,35 (1/4")	6,35 (1/4")	6,35 (1/4")	6,35 (1/4")	6,35 (1/4")
m	kg (lbs)	1,2 (2.7)	1,2 (2.7)	1,2 (2.7)	1,4 (3.1)	1,2 (2.7)	1,2 (2.7)
ah/kh	m/s <sup>2</sup>	< 2,5	< 2,5	< 2,5	< 2,5	< 2,5	< 2,5
LpA/KpA	dB(A)	80 / 3	80 / 3	80 / 3	75 / 3	75 / 3	75 / 3
LWA/KWA	dB(A)	91 / 3	91 / 3	91 / 3	86 / 3	86 / 3	86 / 3



\*2) 2014/30/EU, 2006/42/EC, 2011/65/EU

\*3) EN 62841:2015, EN 62841-2-2:2014, EN 50581:2012

2019-03-25, Bernd Fleischmann

Direktor Produktentstehung & Qualität (Vice President Product Engineering & Quality)

\*4) Metabowerke GmbH – Metabo-Allee 1 – 72622 Nuertingen, Germany

*ppa. B.F.*

## Declaration of Conformity

We, being solely responsible, hereby declare that these screwdrivers, identified by type and serial number \*1), meet all relevant requirements of directives \*2) and standards \*3). Technical documents for \*4) – see page 3.

## Specified Use

The tools are suitable for screwing into gypsum plasterboard on timber and metal substructures.

SE 4000 and SE 18 LTX 4000 are also suitable for gypsum fiber boards up to 12.5 mm on metal substructures.

SE 2500 and SE 18 LTX 2500 are also suitable for gypsum fiber boards up to 12.5 mm on metal and timber substructures and on lay plates.

The machines are not suitable for inserting and removing screws in metal materials.

The user bears sole responsibility for any damage caused by inappropriate use.

Generally accepted accident prevention regulations and the enclosed safety information must be observed.

## General Safety Instructions



For your own protection and for the protection of your electrical tool, pay attention to all parts of the text that are marked with this symbol!



**WARNING** – Reading the operating instructions will reduce the risk of injury.



**WARNING** – Read all safety warnings, instructions, illustrations, and specifications provided with this power tool.

Failure to follow all instructions listed below may result in electric shock, fire, and/or serious injury. Save all warnings and instructions for future reference. Pass on your electrical tool only together with these documents.

## Special Safety Instructions

Mains-powered machines: Hold the power tool by insulated gripping surfaces, when performing an operation where the fastener may contact hidden wiring or its own cord.

Fasteners contacting a “live” wire may make exposed metal parts of the power tool “live” and could give the operator an electric shock.

Cordless machines: Hold power tools by insulated gripping surfaces, when performing an operation where the fastener may contact hidden wiring. Fasteners contacting a “live” wire may make exposed metal parts of the power tool “live” and could give the operator an electric shock.

Ensure that the place where you wish to work is free of power cables, gas lines, or water pipes (e.g. check using a metal detector).

**Never use 25 mm long screwdriver bits (13) in the screwdriver spindle (15)! Removal is not possible! Only use the bit holder (14)!**

Smaller workpieces must be secured in such a way that they are not carried along with the screwdriver bit (e.g. by clamping in a vice or on a workbench with screw clamps).

Keep hands away from the rotating tool! Remove chips and similar material only with the machine at a standstill.

Wear ear protectors when working for long periods of time. High noise levels over a prolonged period of time may affect your hearing.

Note that high counter-torques are possible during work. Always hold the machine firmly, adopt a steady stance and focus on your work.

Do not keep the ventilation slots closed.

Materials that generate dust or vapors that may be harmful to health (e.g. asbestos) must not be processed.

### 4.1 Special safety instructions for mains powered machines:

Avoid inadvertent starts by always unlocking the switch when the plug is removed from the mains socket or whenever the power fails.

Pull the plug out of the socket before making any adjustments, changing tools, carrying out maintenance, or cleaning.

### 4.2 Special safety instructions for cordless machines:

Avoid inadvertent starts by making sure that the machine is switched off before fitting the battery pack.

Remove the battery pack from the machine before making any adjustments, changing tools, maintaining, or cleaning.



Protect battery packs from water and moisture!



Do not expose battery packs to fire!

Do not use faulty or deformed battery packs!

Do not open battery packs!

Do not touch contacts or short-circuit battery packs!



A slightly acidic, flammable fluid may leak from defective Li-ion battery packs!



If battery fluid leaks out and comes into contact with your skin, rinse immediately with plenty of water. If battery fluid leaks out and comes into contact with your eyes, wash them with clean water and seek medical attention immediately!

If the machine is defective, remove the battery pack from the machine.

LED lights (6): Do not observe the LED radiation directly with optical instruments.

#### **Transport of li-ion battery packs:**

The shipping of li-ion battery packs is subject to laws related to the carriage of hazardous goods (UN 3480 and UN 3481). Inform yourself of the currently valid specifications when shipping li-ion battery packs. If necessary, consult your freight forwarder.

Certified packaging is available from Metabo.

Only send the battery pack if the housing is intact and no fluid is leaking. Remove the battery pack from the machine for sending. Prevent the contacts from short-circuiting (e.g. by protecting them with adhesive tape).

#### **4.3 Reducing dust exposure:**

**WARNING** – Some dust created by power sanding, sawing, grinding, drilling, and other construction activities contains chemicals known to cause cancer, birth defects, or other reproductive harm. Some examples of these chemicals are:

- Lead from lead-based paints,
- Crystalline silica from bricks and cement and other masonry products, and
- Arsenic and chromium from chemically treated lumber.

Your risk from these exposures varies, depending on how often you do this type of work. To reduce your exposure to these chemicals: work in a well-ventilated area, and work with approved safety equipment, such as those dust masks that are specially designed to filter out microscopic particles.

This also applies to dust from other materials such as some timber types (like oak or beech dust), metals, and asbestos. Other known diseases are e.g. allergic reactions and respiratory diseases. Do not let dust enter the body.

Observe the relevant guidelines and national regulations for your material, staff, application, and place of application (e.g. occupational health and safety regulations, disposal).

Collect the particles generated at the source, and avoid deposits in the surrounding area.

Use suitable accessories for special work. In this way, fewer particles enter the environment in an uncontrolled manner.

Use a suitable extraction unit.

Reduce dust exposure with the following measures:

- do not direct the escaping particles and the exhaust air stream at yourself or nearby persons or on dust deposits,
- use an extraction unit and/or air purifiers,
- ensure good ventilation of the workplace and keep it clean using a vacuum cleaner. Sweeping or blowing stirs up dust.
- Vacuum or wash the protective clothing. Do not blow, beat or brush.

## **Overview**

**See page 2.**

1. Belt hook (mains powered tools) \*

2. Rotation selector switch
3. Trigger switch
4. Lock button (continuous operation)
5. Handle
6. LED lights
7. Battery pack release button
8. Belt hook (cordless tools)\*
9. Battery pack \*
10. Capacity and signal indicator \*
11. Capacity indicator button \*
12. Depth stop
13. screwdriver bit\*
14. Bit holder
15. Screwdriver spindle
16. Closure sleeve
17. Stop sleeve

\* depending on the model/features

## **Commissioning**

### **6.1 For mains powered machines only**

Before plugging in, check that the rated mains voltage and mains frequency, as stated on the type plate match your power supply.

Always install an RCD with a maximum trip current of 30 mA upstream.

### **6.2 For cordless machines only**

#### **Battery pack**

Charge the battery pack (9) before use.

If performance diminishes, recharge the battery pack.

Instructions on charging the battery pack can be found in the operating instructions of the Metabo charger.

Li-Ion battery packs "Li-Power" have a capacity and signal indicator (10):

- Press the button (11), and the LEDs indicate the charge level.
- If one LED is flashing, the battery pack is almost flat and must be recharged.

#### **Removing and inserting the battery pack**

Removal: Press the battery pack release button (7) and pull the battery pack (9) forwards.

To insert: Slide the battery pack (9) in until it engages.

#### **Installation of the belt hook**

The belt hook (8) may be screwed into place on the left or the right (see illustration, page 2).

## **Use**

### **7.1 Setting the direction of rotation, engaging the transporting safety device (switch-on lock)**

Do not activate the rotary selector switch (2) unless the motor has completely stopped.

See page 2:

R = Clockwise setting  
L = Counter-clockwise setting  
0 = Central position: transportation lock setting (switch-on lock)

### **7.2 On/Off switch, modifying the speed Switching on, speed:** press the trigger switch (3).

Press the trigger to increase the rotational speed.

To switch it off release the trigger switch.

Continuous activation: With the trigger (3) pressed, push the locking button (4) and release the trigger. Press and release the trigger again (3) to switch it off.

In continuous operation, the machine continues running if it is forced out of your hands. Therefore, always hold the machine with both hands using the handles provided, stand securely and concentrate.

### **7.3 Screwdriver bit change Inserting and removing the screwdriver bit:**

- Remove the depth stop (12).
- Insert: Insert the screwdriver bit (13) in the bit holder (14).
- Remove: Pull the screwdriver bit (13) from the bit holder (14) using pliers.
- Attach the depth stop (12) again: turn and engage in position when mounted.

#### **Note:**

The bit holder (14) may be removed from the screwdriver spindle if the sleeve (16) is pulled back.

Never use 25 mm long screwdriver bits (13) in the screwdriver spindle (15)! Removal is not possible! Only use the bit holder (14)!

### **7.4 Working with depth stop**

See page 2, illustrations 2 a and 2 b.

To preset the screw insertion depth, one of the screws to be inserted is fitted on the screwdriver bit (13). Set the depth stop (12) by turning as follows:

a) Screws with heads designed to sit on top of the material (socket-head screws, oval head screws, hex screws): the surface area of the screw head is 2 mm outside the stop sleeve (17).

b) Flathead screws:

the area of the screw head is 2 mm outside the stop sleeve (17).

Insert a screw as a test. Correct the screw depth if necessary:

When the depth stop (12) is inserted, the insertion depth changes by 0.25 mm per notch. If the screw insertion has to be deeper: Insert the stop sleeve If the screw insertion is too deep: Unscrew the stop sleeve.

Removal of the depth stop (12) does not alter the set screw insertion depth. After refitting, work can continue at the same insertion depth.



When screwing in crosshead screws, press the machine with the screwdriver bit (13) firmly against the screw until the screw is fully inserted; otherwise, the bit could slip out of the cross recess and damage the material.

### **7.5 Working without depth stop (12)**

Adapt the speed of the screwing process by carefully pressing the trigger switch.

When the screwing process is complete, switch off the machine by releasing the trigger switch (3).

### **7.6 LED lamp (depending on the model)**

For working in badly lit areas. The LED light (6) lights up when the machine is switched on.

## **Tips and Tricks**

Press the machine firmly against the screw until the screwing process is complete.

This is particularly important when inserting drywall screws (with coarse threads) in gypsum plasterboards because the large thread pitch of the screws means that they are very quickly inserted.

If the stop sleeve (17) is stiff, it can be removed to clean the thread.



## Troubleshooting

If the screwdriver bit (13) is fitted very firmly in the bit holder (14): remove the screwdriver bit with a pair of pliers.

9.1 Only for cordless machines; the machine's multifunctional monitoring system

If the machine switches off automatically, the machine electronics have activated automatic protection mode.

In spite of this protective function, overloading is still possible with certain applications and can result in damage to the machine.

### Causes and remedies:

1. The battery pack is almost flat (the electronics prevent the battery pack from discharging totally and avoid irreparable damage).

If one LED is flashing, the battery pack is almost flat. (10) If necessary, press the (11) button and check the LEDs (10) to see the charge level. If the battery pack is almost flat, it must be recharged.

2. Long continuous overloading of the machine will activate the temperature cut-out.

Leave the machine or battery pack to cool.

Note: If the battery pack feels very warm, the pack will cool more quickly in your "AIR COOLED" charger.

Note: The machine will cool more quickly if you operate it at idling speed.

3. If the current is too high (for example, if the machine seizes continuously for long periods), the machine switches off.

Switch off the machine at the trigger switch (3).

Then continue working as normal. Try to prevent the machine from seizing.

## Maintenance

Disconnect the mains plug or remove the battery pack from the machine before starting any maintenance work. Remove the depth stop (12) regularly and clean it. It is possible that particles deposit inside the power tool during operation. This impairs the cooling of the power tool.

The power tool should be cleaned regularly, often, and thoroughly through all front and rear air vents using a vacuum cleaner or by blowing in dry air.

Prior to this operation, separate the power tool from the power source and wear protective glasses and a dust mask.

## Accessories

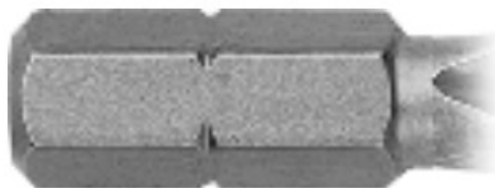
Use only original Metabo or CAS (Cordless Alliance System) battery packs and accessories.

Use only accessories which fulfill the requirements and specifications listed in these operating instructions.

A Magazine screw attachment 6.31618

B Screwdriver bits (length: 25 mm)

Recommendation: only use screwdriver bits with plug-in ends of this type:



C Battery chargers: ASC Ultra, ASC 15, ASC 30, and others.

D Battery packs 18 Volt: 5.2 Ah (6.25592); 4.0 Ah (6.25591); 2.0 Ah (6.25596)

See [www.metabo.com](http://www.metabo.com) or the catalog for a complete range of accessories.

## Repairs



Repairs to electrical tools must **ONLY** be carried out by qualified electricians!

A defective mains cable must only be replaced with a special, original mains cable from Metabo, which is available only from the Metabo service.

Contact your local Metabo representative if you have Metabo power tools requiring repairs. See [www.metabo.com](http://www.metabo.com) for addresses.

You can download a list of spare parts from [www.metabo.com](http://www.metabo.com).

## Environmental Protection

Observe national regulations on environmentally compatible disposal and on the recycling of disused machines, packaging, and accessories.



Only for EU countries: never dispose of power tools in your household waste! Used power tools must be collected separately and handed in for environmentally compatible recycling in accordance with European Directive 2002/96/EC on waste electrical and electronic equipment and its implementation in national legal systems.

Special notes regarding cordless machines:

Battery packs may not be disposed of with regular waste. Return faulty or used battery packs to your Metabo dealer!

Do not allow battery packs to come into contact with water!

Before disposal, discharge the battery pack in the power tool. Prevent the contacts from short-circuiting (e. g. by protecting them with adhesive tape).

## Technical Specifications

Explanatory notes on the specifications on page 3.

Changes due to technological progress reserved.

U =Voltage of battery pack

P1 =Rated input power

P2 =Power output

n0 =No-load speed

n1 =On-load speed

Tmax. =Max. tightening torque

H =Machine toolholder

m =Weight without mains cable

Measured values determined in conformity with EN 62841.

Permitted ambient temperature during operation:

-20 °C (-4°F) to 50 °C (120°F) (limited performance with temperatures below 0 °C (32°F)). Permitted ambient temperature for storage: 0 °C (32°F) to 30 °C (86°F).

Machine in protection class II

~ AC Power

Direct current

The technical specifications quoted are subject to tolerances (in compliance with the relevant valid standards).



## Emission values

These values make it possible to assess the emissions from the power tool and to compare different power tools. The actual load may be higher or lower depending on the operating conditions, the condition of the power tool, or the accessories.

Please allow for breaks and periods when the load is lower for assessment purposes. Arrange protective measures for the user e.g. organisational measures based on the adjusted estimates.

Vibration total value (vector sum of three directions)

determined in accordance with EN 62841:  
ah =Vibration emission level (screwing without impact)  
Kh =Uncertainty (vibration)  
Typical A-effective perceived sound levels:  
LpA =Sound-pressure level  
LWA =Acoustic power level  
KpA, KWA=Uncertainty  
During operation, the noise level can exceed 80 dB(A).





**Wear ear protectors!**

Metabowerke GmbH  
Metabo-Allee 1  
72622 Nuertingen  
Germany  
[www.metabo.com](http://www.metabo.com)

**metabo**<sup>®</sup>  
PROFESSIONAL POWER TOOL SOLUTIONS

## Documents / Resources

	<p><a href="#">metabo SE 18 LTX 6000 Cordless Drywall Screwdriver</a> [pdf] Instruction Manual SE 2500, SE 4000, SE 6000, SE 18 LTX 2500, SE 18 LTX 4000, SE 18 LTX 6000, Cordless Dry wall Screwdriver, SE 18 LTX 6000 Cordless Drywall Screwdriver, Drywall Screwdriver, Screwdriver</p>
	<p><a href="#">metabo SE 18 LTX 6000 Cordless Drywall Screwdriver</a> [pdf] Instruction Manual SE 2500, SE 4000, SE 6000, SE 18 LTX 2500, SE 18 LTX 4000, SE 18 LTX 6000, Cordless Dry wall Screwdriver, SE 18 LTX 6000 Cordless Drywall Screwdriver, Drywall Screwdriver, Screwdriver</p>

## References

- [Сайт в разработке](#)
- [Metabo - Power Tools for professional users](#)