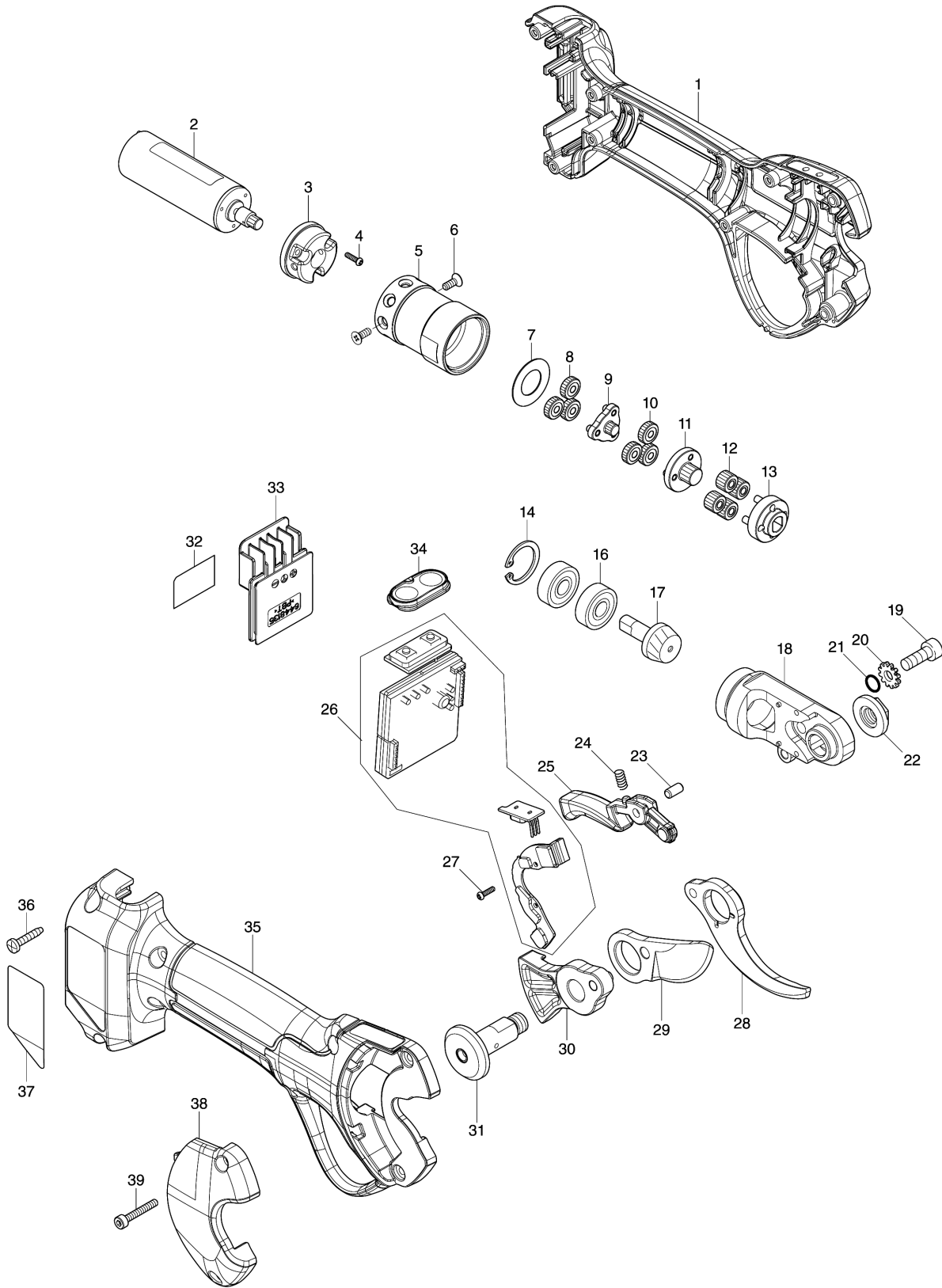


# Model No.UP100D CORDLESS PRUNING SHEARS



Model No.UP100D CORDLESS PRUNING SHEARS

Position	Artikel-Nr.	Beschreibung	I/C	Stk.	New/Old	Opt. 1	Opt. 2	Hinweis
001	183Y33-1	HOUSING SET		1				
C10	8065E6-9	INDICATION LABEL		1				
C20	8065E7-7	INDICATION LABEL		1				
D10		INC. 35						
002	629C07-1	DC MOTOR		1				
003	312D98-2	MOTOR HOLDER		1				
004	265D05-3	PAN HEAD SCREW M2X8		3				
005	227A61-3	INTERNAL GEAR 43		1				
006	912007-3	C.H.SCREW M3X8		2				
007	253084-9	FLAT WASHER 12		1				
008	227A64-7	SPUR GEAR 17		3				
009	162C36-6	SPUR GEAR 8 B COMPLETE		1				
010	227A64-7	SPUR GEAR 17		3				
011	162C37-4	SPUR GEAR 13 COMPLETE		1				
012	227A63-9	SPUR GEAR 14		4				
013	162C31-6	SUPPORTER COMPLETE		1				
014	962059-4	RETAINING RING (INT) R-19		1				
016	210017-7	BALL BEARING 607DDW		2				
017	227A60-5	ZEROL BEVEL GEAR 9		1				
018	327B57-1	GEAR HOUSING		1				
019	922217-4	HEX. SOCKET HEAD BOLT M5X14		1				
020	253578-4	LOCK PLATE		1				
021	213021-5	O RING 5		1				
022	252321-8	HEX. NUT M8		1				
023	256251-5	PIN 4		1				
024	233033-2	COMPRESSION SPRING 4		1				
025	162C32-4	TRIGGER COMPLETE		1				
026	620K67-4	CONTROLLER		1				
027	265D05-3	PAN HEAD SCREW M2X8		2				
028	1911W1-7	SHEAR BLADE L SET		1				
029	1911W2-5	SHEAR BLADE U SET		1				
030	162C33-2	BLADE HOLDER COMPLETE		1				
031	162C35-8	SHOULDER SCREW M8 COMPLETE		1				
032	8586G2-3	UP100D SERIAL NO. LABEL		1				
033	644813-5	TERMINAL		1				
034	162C34-0	SWITCH PLATE COMPLETE		1				
C10	8065E5-1	SWITCH LABEL		1				
035	183Y33-1	HOUSING SET		1				
C10	8065E6-9	INDICATION LABEL		1				
C20	8065E7-7	INDICATION LABEL		1				
D10		INC. 1						

Please order the parts with part number.

Print Date 20/2/2023

Model No.UP100D CORDLESS PRUNING SHEARS

Position	Artikel-Nr.	Beschreibung	I/C	Stk.	New/Old	Opt. 1	Opt. 2	Hinweis
036	266130-9	TAPPING SCREW BIND PT 3X16		6				
037	8586U1-3	UP100D NAME PLATE		1				
038	162C42-1	HOUSING COVER COMPLETE		1				
C10	8065E8-5	CAUTION LABEL		1				
039	265633-0	HEX SOCKET HEAD BOLT M3X20		2				
A01	782212-4	SOCKET WRENCH 13		1				
A02	783202-0	HEX. WRENCH 4		1				
A03	783208-8	HEX. WRENCH 2.5		1				
A04	162C23-5	HOLSTER		1				
A05	1912E4-1	DRESSER STONE SET		1				
A06	182470-6	OIL SUPPLY		1				
A08B	***DC10SB	DC10SB BATTERY CHARGER		1				
D10		COMPO-PARTS						
A09B	197406-2	BATTERY BL1041B SET		1				
A10B	8066L1-4	UP100DSMJ INDICATION LABEL		1				
A11B	8066L2-2	UP100DSMJ PLASTIC CASE LABEL		2				
A12B	821550-0	CONNECTOR PLASTIC CASE (TYPE2)		1				
C10	453974-8	LATCH		4				
A13B	8357T7-7	INNER TRAY		1				

Please order the parts with part number.

Print Date 20/2/2023