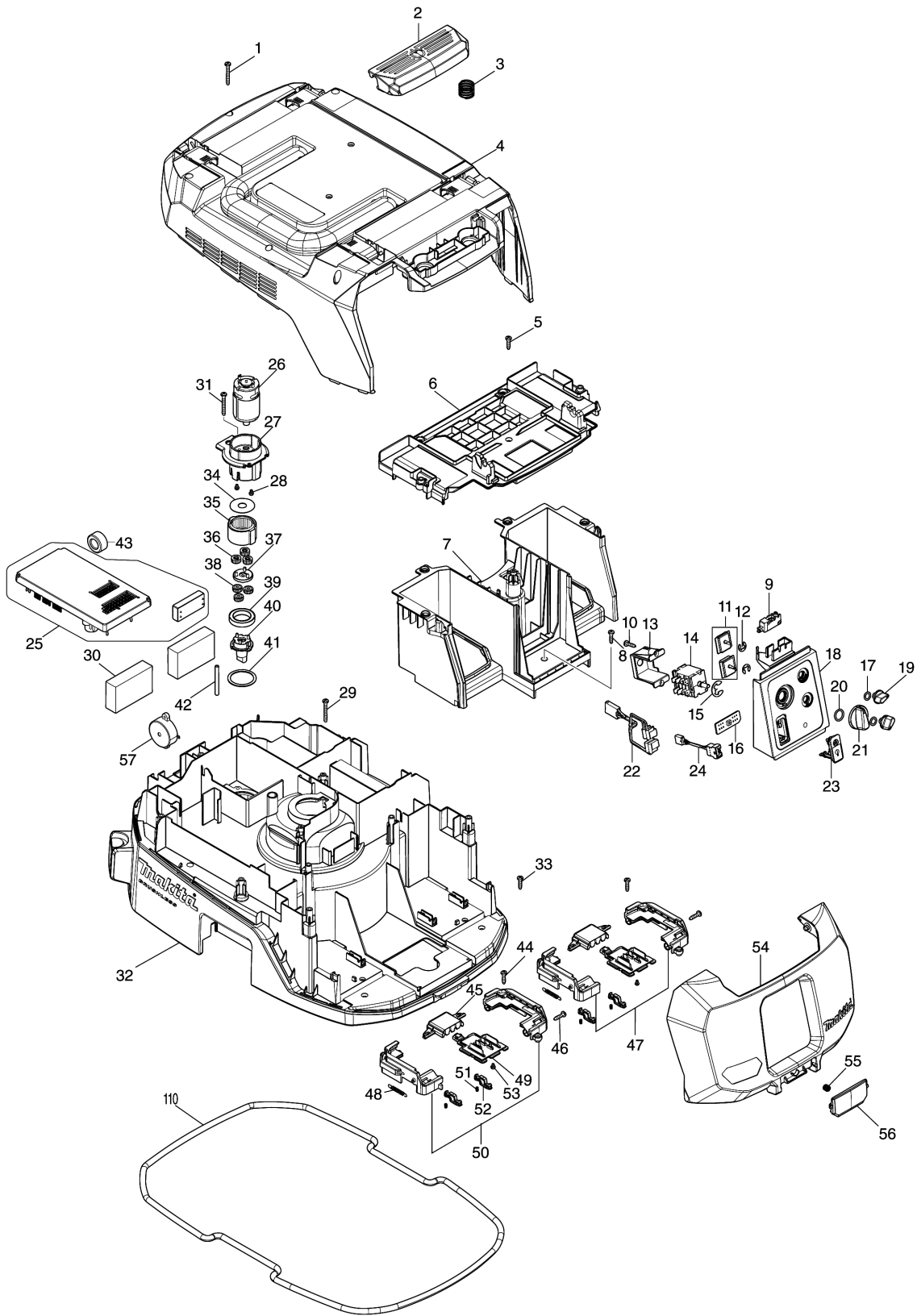
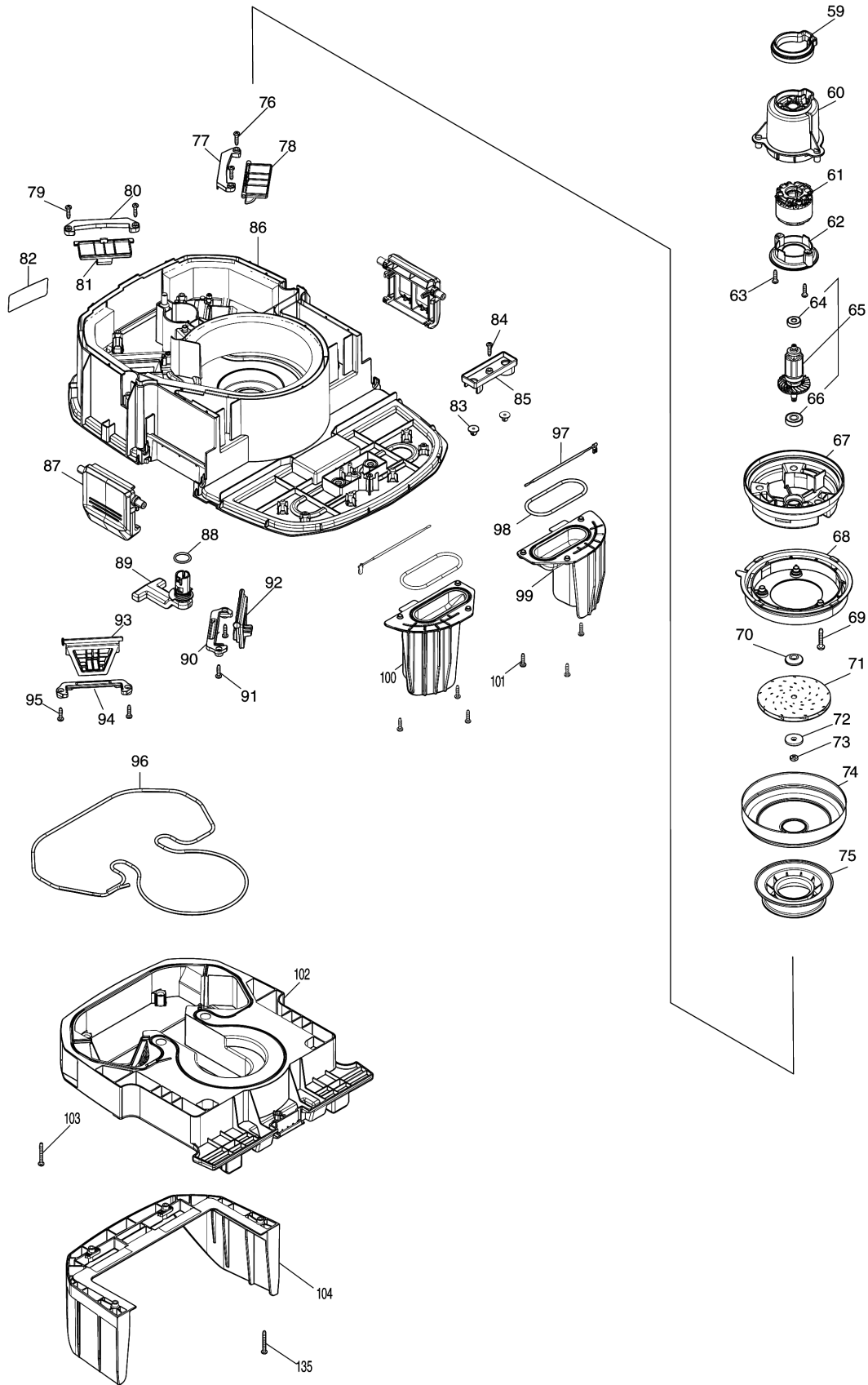


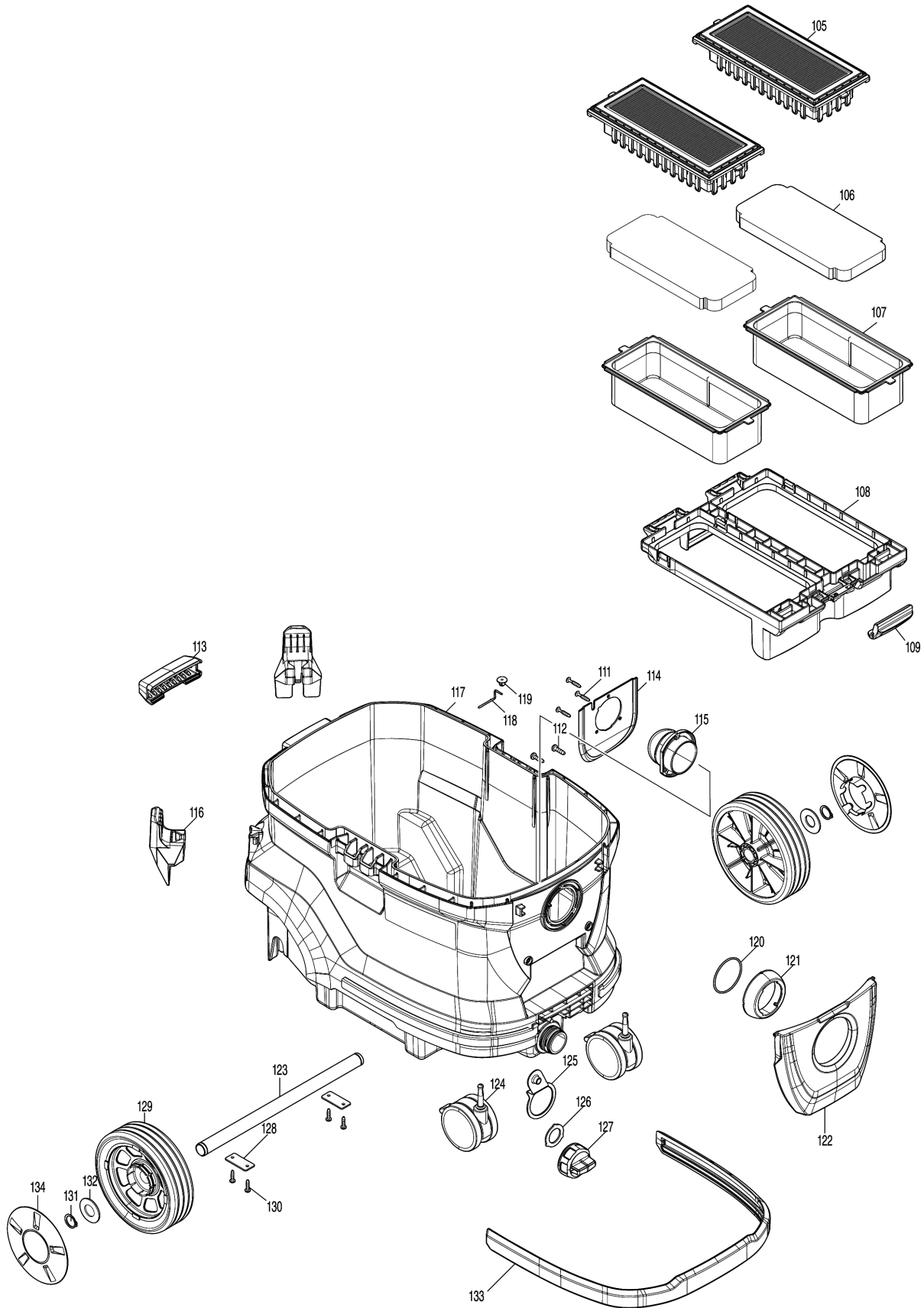
Model No.VC006GM CORDLESS VACUUM CLEANER



Model No.VC006GM CORDLESS VACUUM CLEANER



Model No.VC006GM CORDLESS VACUUM CLEANER



Model No.VC006GM CORDLESS VACUUM CLEANER

| Item | Parts No. | Description            | I/C | Qty | New/Old | Opt. 1 | Opt. 2 | Note |
|------|-----------|------------------------|-----|-----|---------|--------|--------|------|
| 001  | 266351-3  | TAPPING SCREW 4X35     |     | 9   |         |        |        |      |
| 002  | 413B26-9  | SWITCH BUTTON          |     | 1   |         |        |        |      |
| 003  | 234273-5  | COMPRESSION SPRING 20  |     | 2   |         |        |        |      |
| 004  | 141L64-8  | COWLING COMPLETE       |     | 1   |         |        |        |      |
| C10  | 8059E1-0  | CAUTION LABEL          |     | 1   |         |        |        |      |
| C20  | 413K73-4  | GRIP                   |     | 1   |         |        |        |      |
| C30  | 413K74-2  | LATCH                  |     | 4   |         |        |        |      |
| 005  | 266326-2  | TAPPING SCREW 4X18     |     | 1   |         |        |        |      |
| 006  | 413K69-5  | UPPER HOUSING          |     | 1   |         |        |        |      |
| 007  | 413K68-7  | LOWER HOUSING          |     | 1   |         |        |        |      |
| 008  | 266326-2  | TAPPING SCREW 4X18     |     | 1   |         |        |        |      |
| 009  | 651910-0  | SWITCH D2VW-01-3HS     |     | 1   |         |        |        |      |
| 010  | 266326-2  | TAPPING SCREW 4X18     |     | 2   |         |        |        |      |
| 011  | 620H02-4  | DIAL CIRCUIT           |     | 1   |         |        |        |      |
| 012  | 961013-5  | STOP RING E-7          |     | 2   |         |        |        |      |
| 013  | 451343-7  | SWITCH HOLDER          |     | 1   |         |        |        |      |
| 014  | 650014-5  | SWITCH 1703.4803       |     | 1   |         |        |        |      |
| 015  | 961062-2  | STOP RING E-12         |     | 1   |         |        |        |      |
| 016  | 620F40-4  | INDICATION CIRCUIT     |     | 1   |         |        |        |      |
| 017  | 213054-0  | O RING 9               |     | 2   |         |        |        |      |
| 018  | 141L60-6  | SWITCH BASE A COMPLETE |     | 1   |         |        |        |      |
| C10  | 8056M2-6  | INDICATION LABEL       |     | 1   |         |        |        |      |
| 019  | 451344-5  | SWITCH DIAL            |     | 2   |         |        |        |      |
| 020  | 213176-6  | O RING 14              |     | 1   |         |        |        |      |
| 021  | 451342-9  | SWITCH LEVER           |     | 1   |         |        |        |      |
| 022  | 638A19-1  | LEAD UNIT              |     | 1   |         |        |        |      |
| 023  | 141L63-0  | CAP COMPLETE           |     | 1   |         |        |        |      |
| 024  | 632L47-4  | CONNECTOR UNIT         |     | 1   |         |        |        |      |
| 025  | 620G99-7  | CONTROLLER             |     | 1   |         |        |        |      |
| 026  | 629B77-4  | DC MOTOR               |     | 1   |         |        |        |      |
| 027  | 454207-4  | GEAR CASE              |     | 1   |         |        |        |      |
| 028  | 911003-8  | PAN HEAD SCREW M3X6    |     | 2   |         |        |        |      |
| 029  | 266351-3  | TAPPING SCREW 4X35     |     | 6   |         |        |        |      |
| 030  | 422929-4  | REAR BLOCK FILTER      |     | 2   |         |        |        |      |
| 031  | 266351-3  | TAPPING SCREW 4X35     |     | 2   |         |        |        |      |
| 032  | 141L58-3  | SEPARATOR COMPLETE     |     | 1   |         |        |        |      |
| 033  | 266326-2  | TAPPING SCREW 4X18     |     | 2   |         |        |        |      |
| 034  | 267067-3  | FLAT WASHER 12         |     | 1   |         |        |        |      |
| 035  | 226285-2  | INTERNAL GEAR 42       |     | 1   |         |        |        |      |
| 036  | 226283-6  | SPUR GEAR 15           |     | 3   |         |        |        |      |
| 037  | 153228-0  | SPUR GEAR 9 COMPLETE   |     | 1   |         |        |        |      |
| 038  | 226284-4  | SPUR GEAR 15           |     | 3   |         |        |        |      |

Please order the parts with part number.

Print Date 2/1/2023

Model No.VC006GM CORDLESS VACUUM CLEANER

| Item | Parts No. | Description          | I/C | Qty | New/Old | Opt. 1 | Opt. 2 | Note |
|------|-----------|----------------------|-----|-----|---------|--------|--------|------|
| 039  | 211375-4  | BALL BEARING 6805LLB |     | 1   |         |        |        |      |
| 040  | 135554-9  | SPINDLE ASSEMBLY     |     | 1   |         |        |        |      |
| 041  | 267464-3  | FLAT WASHER 34       |     | 1   |         |        |        |      |
| 042  | 684990-1  | VINYL TUBE           |     | 1   |         |        |        |      |
| 043  | 688131-1  | LINE FILTER          |     | 1   |         |        |        |      |
| 044  | 266326-2  | TAPPING SCREW 4X18   |     | 4   |         |        |        |      |
| 045  | 413B40-5  | TERMINAL COVER       |     | 2   |         |        |        |      |
| 046  | 266326-2  | TAPPING SCREW 4X18   |     | 4   |         |        |        |      |
| 047  | 183U06-0  | TERMINAL CASE SET    |     | 1   |         |        |        |      |
| 048  | 232722-6  | TENSION SPRING 4     |     | 4   |         |        |        |      |
| 049  | 632T08-2  | TERMINAL UNIT        |     | 2   |         |        |        |      |
| 050  | 183W98-1  | TERMINAL CASE SET    |     | 1   |         |        |        |      |
| 051  | 232472-3  | COMPRESSION SPRING 2 |     | 4   |         |        |        |      |
| 052  | 413B41-3  | LOCK LEVER           |     | 4   |         |        |        |      |
| 053  | 652031-1  | PAN HEAD SCREW M3X6  |     | 4   |         |        |        |      |
| 054  | 183X55-5  | BATTERY COVER SET    |     | 1   |         |        |        |      |
| C10  | 8059D9-7  | XGT LOGO LABEL       |     | 1   |         |        |        |      |
| 055  | 231456-8  | COMPRESSION SPRING 7 |     | 1   |         |        |        |      |
| 056  | 413K71-8  | BATTERY COVER HOOK   |     | 1   |         |        |        |      |
| 057  | 620J90-3  | BUZZER CIRCUIT       |     | 1   |         |        |        |      |
| 059  | 422926-0  | RUBBER RING          |     | 1   |         |        |        |      |
| 060  | 413K59-8  | MOTOR HOUSING        |     | 1   |         |        |        |      |
| 061  | 629B75-8  | STATOR               |     | 1   |         |        |        |      |
| 062  | 413K60-3  | BAFFLE PLATE         |     | 1   |         |        |        |      |
| 063  | 266326-2  | TAPPING SCREW 4X18   |     | 2   |         |        |        |      |
| 064  | 210022-4  | BALL BEARING 626DDW  |     | 1   |         |        |        |      |
| 065  | 519777-1  | ROTOR ASS'Y          |     | 1   |         |        |        |      |
| D10  |           | INC. 64,66           |     |     |         |        |        |      |
| 066  | 211491-2  | BALL BEARING 609DDW  |     | 1   |         |        |        |      |
| 067  | 413K61-1  | BASE                 |     | 1   |         |        |        |      |
| 068  | 413K62-9  | FAN BASE             |     | 1   |         |        |        |      |
| 069  | 266173-1  | TAPPING SCREW 5X30   |     | 3   |         |        |        |      |
| 070  | 313062-2  | FLANGE               |     | 1   |         |        |        |      |
| 071  | 240178-9  | FAN 104              |     | 1   |         |        |        |      |
| 072  | 253752-4  | FLAT WASHER 8        |     | 1   |         |        |        |      |
| 073  | 252268-6  | HEX. NUT M6          |     | 1   |         |        |        |      |
| 074  | 347A40-6  | FAN COVER            |     | 1   |         |        |        |      |
| 075  | 422793-3  | SUPPORT RING         |     | 1   |         |        |        |      |
| 076  | 266326-2  | TAPPING SCREW 4X18   |     | 2   |         |        |        |      |
| 077  | 413K91-2  | OUTER VALVE HOLDER   |     | 1   |         |        |        |      |
| 078  | 141L70-3  | OUTER VALVE COMPLETE |     | 1   |         |        |        |      |
| 079  | 266326-2  | TAPPING SCREW 4X18   |     | 2   |         |        |        |      |

Please order the parts with part number.

Print Date 2/1/2023

Model No.VC006GM CORDLESS VACUUM CLEANER

| Item | Parts No. | Description          | I/C | Qty | New/Old | Opt. 1 | Opt. 2 | Note |
|------|-----------|----------------------|-----|-----|---------|--------|--------|------|
| 080  | 413K91-2  | OUTER VALVE HOLDER   |     | 1   |         |        |        |      |
| 081  | 141L70-3  | OUTER VALVE COMPLETE |     | 1   |         |        |        |      |
| 082  | 8581G7-3  | VC006GM NAME PLATE   |     | 1   |         |        |        |      |
| 083  | 421468-1  | CORD SEAL            |     | 2   |         |        |        |      |
| 084  | 266326-2  | TAPPING SCREW 4X18   |     | 1   |         |        |        |      |
| 085  | 413K94-6  | SEAL STOPPER         |     | 1   |         |        |        |      |
| 086  | 141L68-0  | TANK COVER COMPLETE  |     | 1   |         |        |        |      |
| 087  | 413K83-1  | HOOK                 |     | 2   |         |        |        |      |
| 088  | 213304-3  | O RING 20            |     | 1   |         |        |        |      |
| 089  | 413K93-8  | CAM                  |     | 1   |         |        |        |      |
| 090  | 413K92-0  | INNER VALVE HOLDER   |     | 1   |         |        |        |      |
| 091  | 266326-2  | TAPPING SCREW 4X18   |     | 2   |         |        |        |      |
| 092  | 141L71-1  | INNER VALVE COMPLETE |     | 1   |         |        |        |      |
| 093  | 141L71-1  | INNER VALVE COMPLETE |     | 1   |         |        |        |      |
| 094  | 413K92-0  | INNER VALVE HOLDER   |     | 1   |         |        |        |      |
| 095  | 266326-2  | TAPPING SCREW 4X18   |     | 2   |         |        |        |      |
| 096  | 422944-8  | SEAL RING A          |     | 1   |         |        |        |      |
| 097  | 638A41-8  | LEAD UNIT            |     | 2   |         |        |        |      |
| 098  | 422932-5  | SEAL RING B          |     | 2   |         |        |        |      |
| 099  | 413K75-0  | FRONT STAND L        |     | 1   |         |        |        |      |
| 100  | 413K76-8  | FRONT STAND R        |     | 1   |         |        |        |      |
| 101  | 266326-2  | TAPPING SCREW 4X18   |     | 6   |         |        |        |      |
| 102  | 413K84-9  | INNER COVER          |     | 1   |         |        |        |      |
| 103  | 266351-3  | TAPPING SCREW 4X35   |     | 4   |         |        |        |      |
| 104  | 413K85-7  | REAR STAND           |     | 1   |         |        |        |      |
| 105  | 1911B6-0  | POWDER FILTER M SET  |     | 2   |         |        |        |      |
| 106  | 1911B4-4  | DAMPER SET           |     | 2   |         |        |        |      |
| 107  | 1911B5-2  | PRE FILTER SET       |     | 2   |         |        |        |      |
| 108  | 413K86-5  | TOP PLATE            |     | 1   |         |        |        |      |
| 109  | 127480-6  | LATCH ASSEMBLY       |     | 1   |         |        |        |      |
| 110  | 422943-0  | SEAL RING C          |     | 1   |         |        |        |      |
| 111  | 266374-1  | TAPPING SCREW 4X25   |     | 3   |         |        |        |      |
| 112  | 266420-0  | TAPPING SCREW 5X20   |     | 2   |         |        |        |      |
| 113  | 422934-1  | BUMPER B             |     | 1   |         |        |        |      |
| 114  | 457853-2  | HOLDER PLATE         |     | 1   |         |        |        |      |
| 115  | 457852-4  | HOLDER               |     | 1   |         |        |        |      |
| 116  | 413K78-4  | HOSE HOOK            |     | 2   |         |        |        |      |
| 117  | 141L65-6  | TANK COMPLETE        |     | 1   |         |        |        |      |
| C10  | 800W80-2  | CAUTION LABEL        |     | 1   |         |        |        |      |
| 118  | 649150-2  | EARTH LINE 120       |     | 1   |         |        |        |      |
| 119  | 421468-1  | CORD SEAL            |     | 1   |         |        |        |      |
| 120  | 213655-4  | O RING 56            |     | 1   |         |        |        |      |

Please order the parts with part number.

Print Date 2/1/2023

Model No.VC006GM CORDLESS VACUUM CLEANER

| Item | Parts No. | Description              | I/C | Qty | New/Old | Opt. 1 | Opt. 2 | Note |
|------|-----------|--------------------------|-----|-----|---------|--------|--------|------|
| 121  | 457851-6  | INLET                    |     | 1   |         |        |        |      |
| 122  | 413K81-5  | INLET COVER              |     | 1   |         |        |        |      |
| 123  | 327A50-9  | JOINT PIPE 20-343        |     | 1   |         |        |        |      |
| 124  | 168547-1  | CASTER 75                |     | 2   |         |        |        |      |
| 125  | 457862-1  | DRAIN BELT               |     | 1   |         |        |        |      |
| 126  | 422179-1  | SEAL                     |     | 1   |         |        |        |      |
| 127  | 457861-3  | DRAIN CAP                |     | 1   |         |        |        |      |
| 128  | 347A42-2  | PLATE                    |     | 2   |         |        |        |      |
| 129  | 413K79-2  | CASTER 170               |     | 2   |         |        |        |      |
| 130  | 266326-2  | TAPPING SCREW 4X18       |     | 4   |         |        |        |      |
| 131  | 961060-6  | RETAINING RING S-20      |     | 2   |         |        |        |      |
| 132  | 267299-2  | FLAT WASHER 20           |     | 2   |         |        |        |      |
| 133  | 422933-3  | BUMPER A                 |     | 1   |         |        |        |      |
| 134  | 413K80-7  | WHEEL CAP                |     | 2   |         |        |        |      |
| 135  | 266351-3  | TAPPING SCREW 4X35       |     | 4   |         |        |        |      |
| A01  | 199455-5  | NOZZLE ASSEMBLY SET      |     | 1   |         |        |        |      |
| A02  | 195433-3  | HOSE COMPLETE 28-3.5 SET |     | 1   |         |        |        |      |
| C10  | 417191-4  | CUFF LOCK                |     | 1   |         |        |        |      |
| C20  | 417586-1  | STOPPER                  |     | 1   |         |        |        |      |
| C30  | 417662-1  | SLEEVE                   |     | 1   |         |        |        |      |
| C40  | 417766-9  | FRONT CUFF 38            |     | 1   |         |        |        |      |
| C50  | 417765-1  | FRONT CUFF 22            |     | 1   |         |        |        |      |
| C60  | 424379-9  | FRONT CUFF 24            |     | 1   |         |        |        |      |
| A03  | 195434-1  | HOSE COMPLETE 38-2.5 SET |     | 1   |         |        |        |      |
| C10  | 417191-4  | CUFF LOCK                |     | 1   |         |        |        |      |
| C20  | 417306-3  | SLEEVE                   |     | 2   |         |        |        |      |
| C30  | 417307-1  | FRONT CUFF               |     | 1   |         |        |        |      |
| C40  | 417586-1  | STOPPER                  |     | 2   |         |        |        |      |
| A04  | 1910Y4-9  | FILTER BAG SET           |     | 1   |         |        |        |      |
| A05  | 192563-1  | STRAIGHT PIPE SET 565-38 |     | 1   |         |        |        |      |
| A06  | 192562-3  | BENDING PIPE             |     | 1   |         |        |        |      |
| A07  | 410306-2  | CORNER NOZZLE            |     | 1   |         |        |        |      |
| A08  | 195547-8  | FRONT CUFF 22 SET        |     | 1   |         |        |        |      |
| A09  | 195546-0  | FRONT CUFF 24 SET        |     | 1   |         |        |        |      |
| A10  | 422A02-6  | CAP                      |     | 1   |         |        |        |      |
| A11  | 451350-0  | STOPPER                  |     | 1   |         |        |        |      |
| A12  | 911138-5  | P.H.SCREW M4X20 WITH WR  |     | 1   |         |        |        |      |
| A13  | 198900-7  | WIRELESS UNIT SET        |     | 1   |         |        |        |      |

Please order the parts with part number.

Print Date 2/1/2023