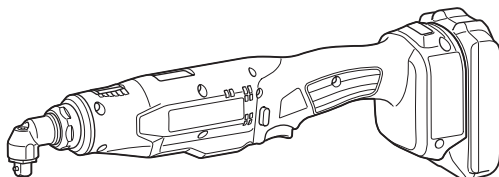
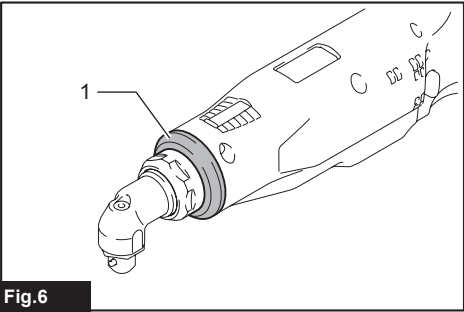
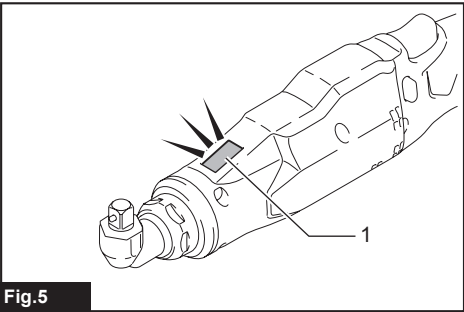
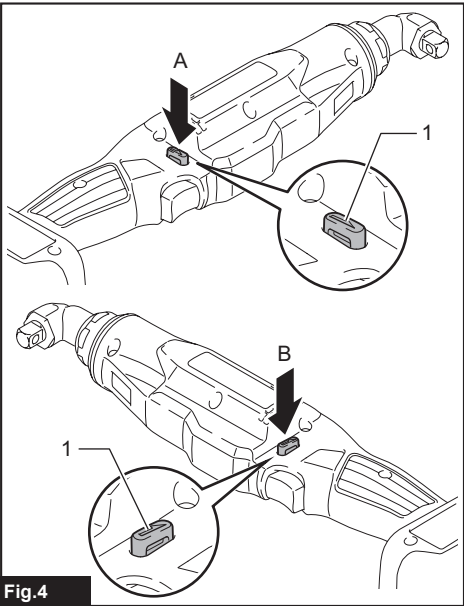
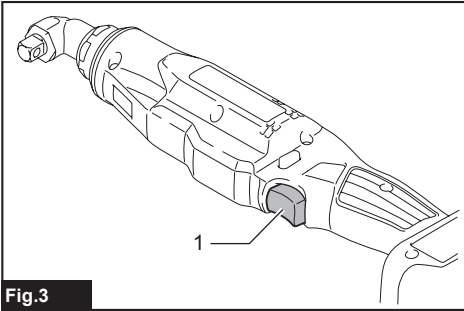
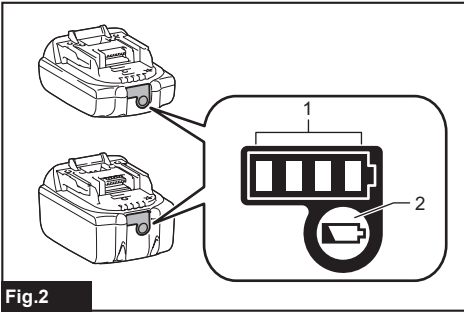
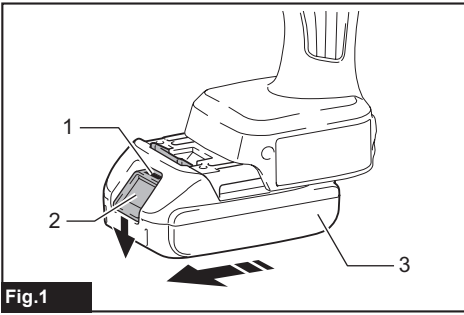




EN	Cordless Angle Screwdriver	INSTRUCTION MANUAL	4
FR	Visseuse Industrielle à Renvoi d'Angle	MANUEL D'INSTRUCTIONS	11
DE	Akku-Winkelschrauber	BETRIEBSANLEITUNG	18
IT	Avvitatore angolare a batteria	ISTRUZIONI PER L'USO	26
NL	Haakse accuschroefmachine	GEBRUIKSAANWIJZING	33
ES	Atornillador Angular Inalámbrico	MANUAL DE INSTRUCCIONES	40
PT	Parafusadeira Angular a Bateria	MANUAL DE INSTRUÇÕES	47
DA	Akku vinkelskruetrækker	BRUGSANVISNING	54
EL	Ασύρματο γωνιακό κατσαβίδι	ΕΓΧΕΙΡΙΔΙΟ ΟΔΗΓΙΩΝ	61
TR	Akülü Açılı Vidalama Makinesi	KULLANMA KILAVUZU	68

**DFL020F**  
**DFL063F**





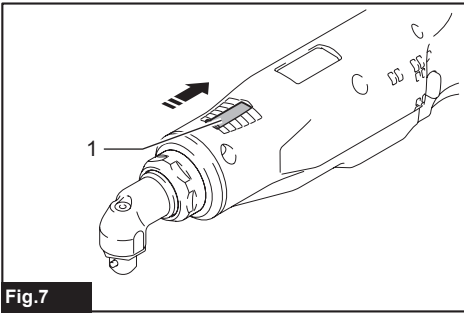


Fig.7

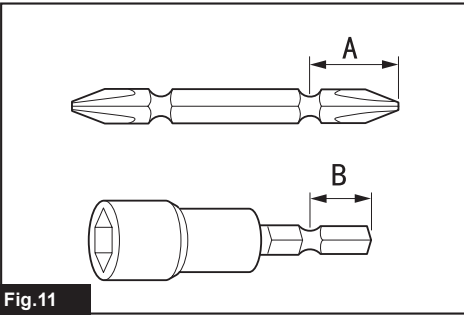


Fig.11

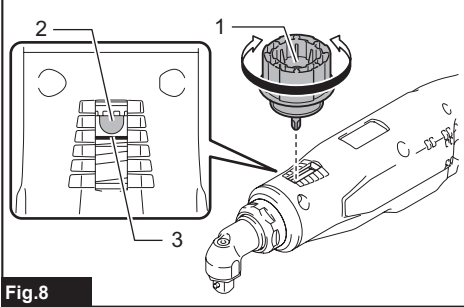


Fig.8

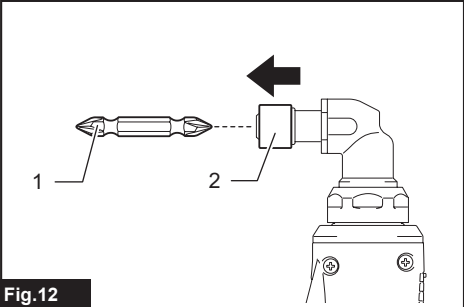


Fig.12

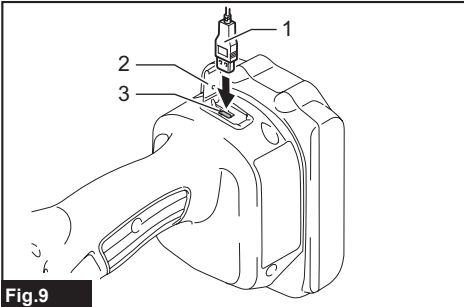


Fig.9

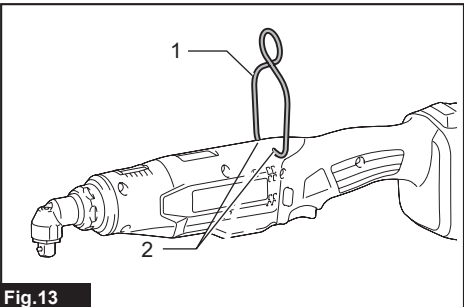


Fig.13

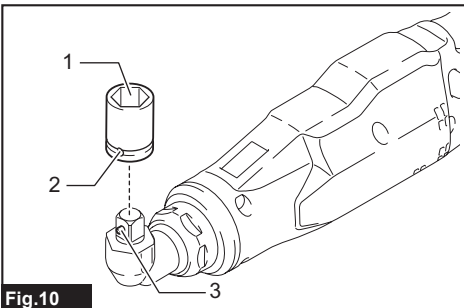


Fig.10

# SPECIFICATIONS

Model:		DFL020F	DFL063F
Fastening torque	Hard joint	0.5 - 2 N•m	1.5 - 6.5 N•m
	Soft joint	0.5 - 2 N•m	1.5 - 6.5 N•m
Square drive		9.5 mm	
Drive shank Country specific		6.35 mm Hex.	
No load speed (RPM) <sup>*1</sup>		100 - 1,300 min <sup>-1</sup>	180 - 1,300 min <sup>-1</sup>
Rated voltage		D.C. 18 V	
Overall length (Depending on the battery)	with BL1815N	380 mm	
	with BL1860B	397 mm	
Net weight		1.3 - 1.6 kg	1.3 - 1.7 kg

- Due to our continuing program of research and development, the specifications herein are subject to change without notice.
- Specifications may differ from country to country.
- The weight may differ depending on the attachment(s), including the battery cartridge. The lightest and heaviest combination, according to EPTA-Procedure 01/2014, are shown in the table.
- <sup>\*1</sup> No load speed is adjustable with exclusive application.

## Applicable battery cartridge and charger

Battery cartridge	BL1815N / BL1820 / BL1820B / BL1830 / BL1830B / BL1840 / BL1840B / BL1850 / BL1850B / BL1860B
Charger	DC18RC / DC18RD / DC18RE / DC18SD / DC18SE / DC18SF / DC18SH

- Some of the battery cartridges and chargers listed above may not be available depending on your region of residence.

**⚠ WARNING: Only use the battery cartridges and chargers listed above.** Use of any other battery cartridges and chargers may cause injury and/or fire.

## Intended use

The tool is intended for screw driving in wood, metal and plastic.

## Noise

The typical A-weighted noise level determined according to EN62841-2-2:

### Model DFL020F

Sound pressure level ( $L_{pA}$ ) : 70 dB(A) or less  
Uncertainty (K) : 3 dB(A)

### Model DFL063F

Sound pressure level ( $L_{pA}$ ) : 70 dB(A) or less  
Uncertainty (K) : 3 dB(A)

The noise level under working may exceed 80 dB (A).

**NOTE:** The declared noise emission value(s) has been measured in accordance with a standard test method and may be used for comparing one tool with another.

**NOTE:** The declared noise emission value(s) may also be used in a preliminary assessment of exposure.

**⚠ WARNING: Wear ear protection.**

**⚠ WARNING: The noise emission during actual use of the power tool can differ from the declared value(s) depending on the ways in which the tool is used especially what kind of workpiece is processed.**

**⚠ WARNING: Be sure to identify safety measures to protect the operator that are based on an estimation of exposure in the actual conditions of use (taking account of all parts of the operating cycle such as the times when the tool is switched off and when it is running idle in addition to the trigger time).**

## Vibration

The vibration total value (tri-axial vector sum) determined according to EN62841-2-2:

### Model DFL020F

Work mode: screwdriving without impact  
Vibration emission ( $a_{hv}$ ) : 2.5 m/s<sup>2</sup> or less  
Uncertainty (K) : 1.5 m/s<sup>2</sup>

### Model DFL063F

Work mode: screwdriving without impact  
Vibration emission ( $a_{hv}$ ) : 2.5 m/s<sup>2</sup> or less  
Uncertainty (K) : 1.5 m/s<sup>2</sup>



**NOTE:** The declared vibration total value(s) has been measured in accordance with a standard test method and may be used for comparing one tool with another.

**NOTE:** The declared vibration total value(s) may also be used in a preliminary assessment of exposure.

**⚠WARNING:** The vibration emission during actual use of the power tool can differ from the declared value(s) depending on the ways in which the tool is used especially what kind of workpiece is processed.

**⚠WARNING:** Be sure to identify safety measures to protect the operator that are based on an estimation of exposure in the actual conditions of use (taking account of all parts of the operating cycle such as the times when the tool is switched off and when it is running idle in addition to the trigger time).

## EC Declaration of Conformity

### *For European countries only*

The EC declaration of conformity is included as Annex A to this instruction manual.

# SAFETY WARNINGS

## General power tool safety warnings

**⚠WARNING:** Read all safety warnings, instructions, illustrations and specifications provided with this power tool. Failure to follow all instructions listed below may result in electric shock, fire and/or serious injury.

## Save all warnings and instructions for future reference.

The term "power tool" in the warnings refers to your mains-operated (corded) power tool or battery-operated (cordless) power tool.

## Cordless screwdriver safety warnings

1. **Hold the power tool by insulated gripping surfaces, when performing an operation where the fastener may contact hidden wiring.** Fasteners contacting a "live" wire may make exposed metal parts of the power tool "live" and could give the operator an electric shock.
2. **Always be sure you have a firm footing. Be sure no one is below when using the tool in high locations.**
3. **Hold the tool firmly.**
4. **Keep hands away from rotating parts.**
5. **Do not touch the bit or the workpiece immediately after operation; they may be extremely hot and could burn your skin.**
6. **Always secure workpiece in a vise or similar hold-down device.**

## SAVE THESE INSTRUCTIONS.

**⚠WARNING:** DO NOT let comfort or familiarity with product (gained from repeated use) replace strict adherence to safety rules for the subject product.

**MISUSE** or failure to follow the safety rules stated in this instruction manual may cause serious personal injury.

## Important safety instructions for battery cartridge

1. **Before using battery cartridge, read all instructions and cautionary markings on (1) battery charger, (2) battery, and (3) product using battery.**
2. **Do not disassemble battery cartridge.**
3. **If operating time has become excessively shorter, stop operating immediately. It may result in a risk of overheating, possible burns and even an explosion.**
4. **If electrolyte gets into your eyes, rinse them out with clear water and seek medical attention right away. It may result in loss of your eyesight.**
5. **Do not short the battery cartridge:**
  - (1) **Do not touch the terminals with any conductive material.**
  - (2) **Avoid storing battery cartridge in a container with other metal objects such as nails, coins, etc.**
  - (3) **Do not expose battery cartridge to water or rain. A battery short can cause a large current flow, overheating, possible burns and even a breakdown.**
6. **Do not store the tool and battery cartridge in locations where the temperature may reach or exceed 50 °C (122 °F).**
7. **Do not incinerate the battery cartridge even if it is severely damaged or is completely worn out. The battery cartridge can explode in a fire.**
8. **Be careful not to drop or strike battery.**
9. **Do not use a damaged battery.**
10. **The contained lithium-ion batteries are subject to the Dangerous Goods Legislation requirements.** For commercial transports e.g. by third parties, forwarding agents, special requirement on packaging and labeling must be observed. For preparation of the item being shipped, consulting an expert for hazardous material is required. Please also observe possibly more detailed national regulations. Tape or mask off open contacts and pack up the battery in such a manner that it cannot move around in the packaging.
11. **When disposing the battery cartridge, remove it from the tool and dispose of it in a safe place. Follow your local regulations relating to disposal of battery.**
12. **Use the batteries only with the products specified by Makita.** Installing the batteries to non-compliant products may result in a fire, excessive heat, explosion, or leak of electrolyte.
13. **If the tool is not used for a long period of time, the battery must be removed from the tool.**

## SAVE THESE INSTRUCTIONS.

**CAUTION:** Only use genuine Makita batteries. Use of non-genuine Makita batteries, or batteries that have been altered, may result in the battery bursting causing fires, personal injury and damage. It will also void the Makita warranty for the Makita tool and charger.

## Tips for maintaining maximum battery life

1. Charge the battery cartridge before completely discharged. Always stop tool operation and charge the battery cartridge when you notice less tool power.
2. Never recharge a fully charged battery cartridge. Overcharging shortens the battery service life.
3. Charge the battery cartridge with room temperature at 10 °C - 40 °C (50 °F - 104 °F). Let a hot battery cartridge cool down before charging it.
4. Charge the battery cartridge if you do not use it for a long period (more than six months).

## FUNCTIONAL DESCRIPTION

**CAUTION:** Always be sure that the tool is switched off and the battery cartridge is removed before adjusting or checking function on the tool.

## Installing or removing battery cartridge

**CAUTION:** Always switch off the tool before installing or removing of the battery cartridge.

**CAUTION:** Hold the tool and the battery cartridge firmly when installing or removing battery cartridge. Failure to hold the tool and the battery cartridge firmly may cause them to slip off your hands and result in damage to the tool and battery cartridge and a personal injury.

► Fig.1: 1. Red indicator 2. Button 3. Battery cartridge

To remove the battery cartridge, slide it from the tool while sliding the button on the front of the cartridge.

To install the battery cartridge, align the tongue on the battery cartridge with the groove in the housing and slip it into place. Insert it all the way until it locks in place with a little click. If you can see the red indicator on the upper side of the button, it is not locked completely.

**CAUTION:** Always install the battery cartridge fully until the red indicator cannot be seen. If not, it may accidentally fall out of the tool, causing injury to you or someone around you.









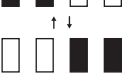
**CAUTION:** Do not install the battery cartridge forcibly. If the cartridge does not slide in easily, it is not being inserted correctly.

## Indicating the remaining battery capacity

Only for battery cartridges with the indicator

► Fig.2: 1. Indicator lamps 2. Check button

Press the check button on the battery cartridge to indicate the remaining battery capacity. The indicator lamps light up for a few seconds.

Indicator lamps			Remaining capacity
 Lighted	 Off	 Blinking	
			75% to 100%
			50% to 75%
			25% to 50%
			0% to 25%
			Charge the battery.
			The battery may have malfunctioned.

**NOTE:** Depending on the conditions of use and the ambient temperature, the indication may differ slightly from the actual capacity.

## Tool / battery protection system

The tool is equipped with a tool/battery protection system. This system automatically cuts off power to the motor to extend tool and battery life. The tool will automatically stop during operation if the tool or battery is placed under one of the following conditions:

### Overload protection

When the tool/battery is operated in a manner that causes it to draw an abnormally high current, the tool stops automatically. In this situation, turn the tool off and stop the application that caused the tool to become overloaded. Then turn the tool on to restart.

### Overheat protection

When the tool/battery is overheated, the tool stops automatically. In this situation, let the tool/battery cool before turning the tool on again.

### Overdischarge protection

When the battery capacity is not enough, the tool stops automatically. In this case, remove the battery from the tool and charge the battery.

## Switch action

**⚠ WARNING:** Before installing the battery cartridge into the tool, always check to see that the switch trigger actuates properly and returns to the "OFF" position when released.

To start the tool, simply pull the switch trigger. Release the switch trigger to stop.

► **Fig.3:** 1. Switch trigger

**NOTE:** For approximately one second after fastening, the tool does not work even with the switch pulled.

## Reversing switch action

► **Fig.4:** 1. Reversing switch lever

**⚠ CAUTION:** Always check the direction of rotation before operation.

**⚠ CAUTION:** Use the reversing switch only after the tool comes to a complete stop. Changing the direction of rotation before the tool stops may damage the tool.

**⚠ CAUTION:** When not operating the tool, always set the reversing switch lever to the neutral position.

This tool has a reversing switch to change the direction of rotation. Depress the reversing switch lever from the A side for clockwise rotation or from the B side for counterclockwise rotation.

When the reversing switch lever is in the neutral position, the switch trigger cannot be pulled.

## Lighting up the front lamp

► **Fig.5:** 1. Lamp

**⚠ CAUTION:** Do not look in the light or see the source of light directly.

Pull the switch trigger to light up the lamp. The lamp keeps on lighting while the switch trigger is being pulled. The lamp goes out approximately 10 seconds after releasing the switch trigger.

**NOTE:** Use a dry cloth to wipe the dirt off the lens of the lamp. Be careful not to scratch the lens of lamp, or it may lower the illumination.

## LED indicator / Beeper

► **Fig.6:** 1. LED indicator

LED indicator / Beeper on the tool shows the following functions.

Function	Status of the tool	Status of the LED indicator/beeper		Action to be taken
		LED indicator	Beeper	
Auto-stop with fastening completion	The preset fastening torque has been achieved and the tool has stopped.	Lights up in green for approximately one second.	–	–
Alarm against insufficient fastening	The preset fastening torque has not been achieved, because the switch trigger has released before completing the fastening.	Lights up in red.	A long beep	Retighten the screw.
Alarm for low battery capacity	The battery power became low and it is time to replace the battery cartridge.	Flickers in red slowly.	A series of long beeps	Replace the battery with fully charged one.
Auto-stop with low remaining battery capacity	The battery power is almost used up and the tool stopped.	Lights up in red.	A long beep	Replace the battery with fully charged one.
Check of the LED indicator, light and beeper operation	When the battery cartridge is installed, the tool checks for its LED indicator, light and beeper.	Lights up first in green, next red. (And then the light comes on.)	A series of very short beeps	–
Anti-reset of controller	The battery voltage dropped abnormally for some reason, and the tool stopped.	Flickers in red and green alternatively.	A series of short beeps	Replace the battery with fully charged one.
Overheat protection	Tool's controller heated up abnormally and the tool stopped.	Flickers in red quickly.	A series of short beeps	Remove the battery cartridge immediately and cool the tool down.
Detection of switch trigger operation when installing battery	When the battery cartridge is installed with the switch trigger pulled, the tool stops to avoid unintentional start.	Flickers in red and green alternatively.	A series of short beeps	Release the switch trigger.

Function	Status of the tool	Status of the LED indicator/beeper		Action to be taken
		LED indicator	Beeper	
Motor failure detection	Motor failure has been detected. At this time, tool does not work.	Flickers in red and green alternatively.	A series of short beeps	Ask your local Makita Service Center for repair.
Double-hitting detection	When the operator starts to re-fasten an already-fastened screw, the tool detect it and stops.	Lights up in red.	A long beep	–
Maintenance alarm	A maintenance time has come according to your preset number of screws driven.	Flickers in yellow.	–	Reset the alarm with the application software.
Alarm for unavailable data communication (with the tool in connection with PC)	Data cannot be exchanged between the tool and PC in spite of the connection.	Flickers in yellow.	–	Restart the application software and re-connect the USB cable.
Indication that data communication is available (with the tool in connection with PC)	The tool is connected to PC and data communication is available.	Flickers in green.	–	–

## Adjusting the fastening torque

When you wish to drive machine screws, hex bolts, etc. with the predetermined torque, adjust the fastening torque as follows.

1. Install the battery cartridge.
2. Open the change plate by hand so that you can see a hole.  
▶ **Fig.7:** 1. Change plate
3. Pull the switch trigger and release it so that the adjust ring rotates and the hole becomes visible. And then remove the battery cartridge.
4. Use an optional adjust grip to adjust the fastening torque. Insert the pin of the adjust grip into the hole in the front of the tool. And then, turn the adjust grip clockwise to set a greater fastening torque, and counterclockwise to set a smaller fastening torque. Use the yellow line as a rough guide.  
▶ **Fig.8:** 1. Adjust grip 2. Hole for adjust grip 3. Yellow line
5. Insert the battery cartridge and be sure that a fastening torque has been set up by using a fastening torque tester.
6. Close the change plate by hand securely.

## Adjusting no-load speed and revolution angle etc.

You can adjust the no-load speed, number of turn, etc. of the tool with your computer. Install the application software in your computer and connect it to the tool with an USB cable.

- ▶ **Fig.9:** 1. USB cable 2. USB cover 3. USB port

**NOTICE:** Make sure that the USB cover closed when fastening.

**NOTE:** For the application software, please contact Makita sales representative.

## ASSEMBLY

**CAUTION:** Always be sure that the tool is switched off and the battery cartridge is removed before carrying out any work on the tool.

### Selecting correct socket

There are different types of sockets for some models depending on applications. Choose and install a correct socket for your application.

### Installing or removing socket

- ▶ **Fig.10:** 1. Socket 2. Hole 3. Pin

To install the socket, push it onto the square drive of the tool with one hand by depressing a pin on the square drive with another hand until it locks into place. To remove the socket, simply pull it off depressing the pin on the square drive.

**CAUTION:** Before operation, make sure that the socket is properly locked onto the square drive. Incomplete attachment of the socket may cause injury.

### Installing or removing driver bit/ socket bit

#### Country specific

- ▶ **Fig.11**

Use only driver bit/socket bit that has inserting portion shown in the figure. Do not use any other driver bit/socket bit.

### For tool with shallow driver bit hole

A=12mm B=9mm	Use only these type of driver bit. Follow the procedure 1. (Note) Bit-piece is not necessary.
-----------------	---

### For tool with deep driver bit hole

A=17mm B=14mm	To install these types of driver bits, follow the procedure 1.
A=12mm B=9mm	To install these types of driver bits, follow the procedure 2. (Note) Bit-piece is necessary for installing the bit.

#### ► Fig.12: 1. Driver bit 2. Sleeve

To install the driver bit, pull the sleeve in the direction of the arrow and insert the driver bit into the sleeve as far as it will go.

Then release the sleeve to secure the driver bit.

To remove the driver bit, pull the sleeve in the direction of the arrow and pull the driver bit out.

**NOTE:** If the driver bit is not inserted deep enough into the sleeve, the sleeve will not return to its original position and the driver bit will not be secured. In this case, try re-inserting the bit according to the instructions above.

**NOTE:** When it is difficult to insert the driver bit, pull the sleeve and insert it into the sleeve as far as it will go.

**NOTE:** After inserting the driver bit, make sure that it is firmly secured. If it comes out, do not use it.

## Installing hook

### Optional accessory

The hook is useful to hang the tool. Install the hook to the holes on the tool body.

#### ► Fig.13: 1. Hook 2. Hole

## OPERATION

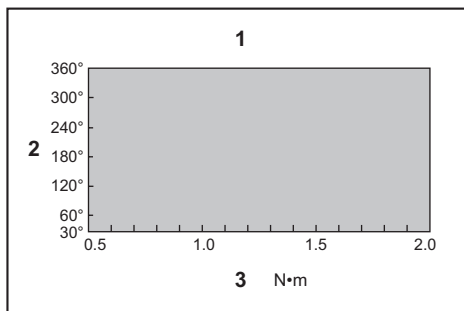
Hold the tool firmly and place the socket over the bolt or nut. Then switch the tool on. When the clutch cuts in, the motor will stop automatically. Then release the switch trigger.

**NOTE:** Hold the tool with its square drive pointed straight at the bolt or nut, or the bolt or nut will be damaged.

## Limits of fastening capacity

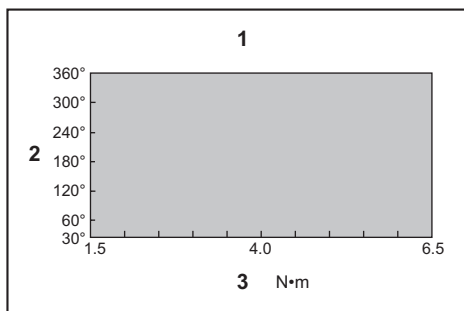
Use the tool within the limits of fastening capacity. If you use the tool beyond the limits, the clutch does not work. And the tool cannot deliver enough fastening torque.

### For model DFL020F



1. Range of fastening capacity 2. Rotation angle 3. Torque

### For model DFL063F



1. Range of fastening capacity 2. Rotation angle 3. Torque

**NOTE:** The rotation angle is the angle from the point that the bolt is tightened in 50% of desired torque to the point that the bolt is tightened in 100% torque.

**NOTE:** Use of a cold battery cartridge may give warning for battery capacity by LED indicator and beeper and stop the tool immediately, even if it is fully charged. In this case, the fastening capacity may be inferior to the specification on this manual.

## MAINTENANCE

**CAUTION:** Always be sure that the tool is switched off and the battery cartridge is removed before attempting to perform inspection or maintenance.

**NOTICE:** Never use gasoline, benzine, thinner, alcohol or the like. Discoloration, deformation or cracks may result.

To maintain product SAFETY and RELIABILITY, repairs, any other maintenance or adjustment should be performed by Makita Authorized or Factory Service Centers, always using Makita replacement parts.

# OPTIONAL ACCESSORIES

**⚠ CAUTION:** These accessories or attachments are recommended for use with your Makita tool specified in this manual. The use of any other accessories or attachments might present a risk of injury to persons. Only use accessory or attachment for its stated purpose.

If you need any assistance for more details regarding these accessories, ask your local Makita Service Center.

- Makita genuine battery and charger
- Protector (Yellow, Blue, Red, Clear, Green)
- Adjust grip
- Spindle complete
- Hook

**NOTE:** Some items in the list may be included in the tool package as standard accessories. They may differ from country to country.

# SPÉCIFICATIONS

Modèle :		DFL020F	DFL063F
Couple de serrage	Joint rigide	0,5 - 2 N•m	1,5 - 6,5 N•m
	Joint souple	0,5 - 2 N•m	1,5 - 6,5 N•m
Carré conducteur		9,5 mm	
Tige d'entraînement Selon le pays		6,35 mm hexagonale	
Vitesse à vide (tr/min) <sup>†1</sup>		100 - 1 300 min <sup>-1</sup>	180 - 1 300 min <sup>-1</sup>
Tension nominale		18 V CC	
Longueur totale (Selon la batterie)	avec BL1815N	380 mm	
	avec BL1860B	397 mm	
Poids net		1,3 - 1,6 kg	1,3 - 1,7 kg

- Étant donné l'évolution constante de notre programme de recherche et de développement, les spécifications contenues dans ce manuel sont sujettes à modification sans préavis.
- Les spécifications peuvent varier suivant les pays.
- Le poids peut être différent selon les accessoires, notamment la batterie. Les associations la plus légère et la plus lourde, conformément à la procédure EPTA 01/2014, sont indiquées dans le tableau.
- <sup>†1</sup> La vitesse à vide est réglable avec l'application exclusive.

## Batterie et chargeur applicables

Batterie	BL1815N / BL1820 / BL1820B / BL1830 / BL1830B / BL1840 / BL1840B / BL1850 / BL1850B / BL1860B
Chargeur	DC18RC / DC18RD / DC18RE / DC18SD / DC18SE / DC18SF / DC18SH

- Certains chargeurs et batteries répertoriés ci-dessus peuvent ne pas être disponibles selon la région où vous résidez.

**⚠ AVERTISSEMENT : N'utilisez que les batteries et les chargeurs répertoriés ci-dessus.** L'utilisation d'autres batteries et chargeurs peut provoquer des blessures et/ou un incendie.

## Utilisations

L'outil est conçu pour serrer des vis dans le bois, le métal et le plastique.

## Bruit

Niveau de bruit pondéré A typique, déterminé selon EN62841-2-2 :

### Modèle DFL020F

Niveau de pression sonore ( $L_{pA}$ ) : 70 dB (A) ou moins  
Incertitude (K) : 3 dB (A)

### Modèle DFL063F

Niveau de pression sonore ( $L_{pA}$ ) : 70 dB (A) ou moins  
Incertitude (K) : 3 dB (A)

Le niveau de bruit en fonctionnement peut dépasser 80 dB (A).

**NOTE :** La ou les valeurs d'émission de bruit déclarées ont été mesurées conformément à la méthode de test standard et peuvent être utilisées pour comparer les outils entre eux.

**NOTE :** La ou les valeurs d'émission de bruit déclarées peuvent aussi être utilisées pour l'évaluation préliminaire de l'exposition.

**⚠ AVERTISSEMENT :** Portez un serre-tête antibruit.

**⚠ AVERTISSEMENT :** L'émission de bruit lors de l'usage réel de l'outil électrique peut être différente de la ou des valeurs déclarées, suivant la façon dont l'outil est utilisé, particulièrement selon le type de pièce usinée.

**⚠ AVERTISSEMENT :** Les mesures de sécurité à prendre pour protéger l'utilisateur doivent être basées sur une estimation de l'exposition dans des conditions réelles d'utilisation (en tenant compte de toutes les composantes du cycle d'utilisation, comme par exemple le moment de sa mise hors tension, lorsqu'il tourne à vide et le moment de son déclenchement).

## Vibrations

Valeur totale de vibrations (somme de vecteur triaxial) déterminée selon EN62841-2-2 :

### Modèle DFL020F

Mode de travail : vissage sans impact  
Émission de vibrations ( $a_{h1}$ ) : 2,5 m/s<sup>2</sup> ou moins  
Incertitude (K) : 1,5 m/s<sup>2</sup>

### Modèle DFL063F

Mode de travail : vissage sans impact  
Émission de vibrations ( $a_{h1}$ ) : 2,5 m/s<sup>2</sup> ou moins  
Incertitude (K) : 1,5 m/s<sup>2</sup>

**NOTE** : La ou les valeurs de vibration totales déclarées ont été mesurées conformément à la méthode de test standard et peuvent être utilisées pour comparer les outils entre eux.

**NOTE** : La ou les valeurs de vibration totales déclarées peuvent aussi être utilisées pour l'évaluation préliminaire de l'exposition.

**⚠ AVERTISSEMENT** : L'émission de vibrations lors de l'usage réel de l'outil électrique peut être différente de la ou des valeurs déclarées, suivant la façon dont l'outil est utilisé, particulièrement selon le type de pièce usinée.

**⚠ AVERTISSEMENT** : Les mesures de sécurité à prendre pour protéger l'utilisateur doivent être basées sur une estimation de l'exposition dans des conditions réelles d'utilisation (en tenant compte de toutes les composantes du cycle d'utilisation, comme par exemple le moment de sa mise hors tension, lorsqu'il tourne à vide et le moment de son déclenchement).

## Déclaration de conformité CE

*Pour les pays européens uniquement*

La déclaration de conformité CE est fournie en Annexe A à ce mode d'emploi.

## CONSIGNES DE SÉCURITÉ

### Consignes de sécurité générales pour outils électriques

**⚠ AVERTISSEMENT** : Veuillez lire les consignes de sécurité, instructions, illustrations et spécifications qui accompagnent cet outil électrique. Le non-respect de toutes les instructions indiquées ci-dessous peut entraîner une électrocution, un incendie et/ou de graves blessures.

### Conservez toutes les mises en garde et instructions pour référence ultérieure.

Le terme « outil électrique » dans les avertissements fait référence à l'outil électrique alimenté par le secteur (avec cordon d'alimentation) ou à l'outil électrique fonctionnant sur batterie (sans cordon d'alimentation).

### Consignes de sécurité pour visseuse sans fil

1. Tenez l'outil électrique par des surfaces de prise isolées lorsque vous effectuez une tâche au cours de laquelle l'élément de fixation peut entrer en contact avec des fils cachés. Le contact des éléments de fixation avec un fil sous tension peut transmettre du courant dans les pièces métalliques exposées de l'outil électrique et électrocuter l'opérateur.

2. Assurez-vous toujours d'avoir une bonne assise. Veillez à ce que personne ne se trouve en dessous de vous quand vous utilisez l'outil en hauteur.
3. Tenez l'outil fermement.
4. Gardez vos mains à l'écart des pièces en rotation.
5. Ne touchez pas l'embout ou la pièce immédiatement après l'exécution du travail ; ils peuvent être extrêmement chauds et vous brûler la peau.
6. Immobilisez toujours la pièce dans un étau ou un dispositif de retenue similaire.

## CONSERVEZ CES INSTRUCTIONS.

**⚠ AVERTISSEMENT** : NE vous laissez PAS tromper (au fil d'une utilisation répétée) par un sentiment d'aisance et de familiarité avec le produit, en négligeant le respect rigoureux des consignes de sécurité qui accompagnent le produit en question.

La MAUVAISE UTILISATION de l'outil ou l'ignorance des consignes de sécurité indiquées dans ce mode d'emploi peut entraîner de graves blessures.

### Consignes de sécurité importantes pour la batterie

1. Avant d'utiliser la batterie, lisez toutes les instructions et précautions relatives (1) au chargeur de batterie, (2) à la batterie, et (3) au produit utilisant la batterie.
2. Ne démontez pas la batterie.
3. Cessez immédiatement l'utilisation si le temps de fonctionnement devient excessivement court. Il y a risque de surchauffe, de brûlures, voire d'explosion.
4. Si l'électrolyte pénètre dans vos yeux, rincez-les à l'eau claire et consultez immédiatement un médecin. Il y a risque de perte de la vue.
5. Ne court-circuitez pas la batterie :
  - (1) Ne touchez les bornes avec aucun matériau conducteur.
  - (2) Évitez de ranger la batterie dans un conteneur avec d'autres objets métalliques, par exemple des clous, des pièces de monnaie, etc.
  - (3) N'exposez pas la batterie à l'eau ou à la pluie.Un court-circuit de la batterie peut provoquer une intensité de courant élevée, une surchauffe, parfois des brûlures et même une panne.
6. Ne rangez pas l'outil et la batterie dans un endroit où la température risque d'atteindre ou de dépasser 50 °C.
7. Ne jetez pas la batterie au feu même si elle est sérieusement endommagée ou complètement épuisée. La batterie peut exploser au contact du feu.



8. Évitez de laisser tomber ou de cogner la batterie.
9. N'utilisez pas la batterie si elle est endommagée.
10. Les batteries au lithium-ion contenues sont soumises aux exigences de la législation sur les marchandises dangereuses.  
Lors du transport commercial par des tierces parties ou des transitaires par exemple, des exigences spécifiques en matière d'étiquetage et d'emballage doivent être respectées.  
Pour la préparation de l'article expédié, il est nécessaire de consulter un expert en matériau dangereux. Veuillez également respecter les réglementations nationales susceptibles d'être plus détaillées.  
Recouvrez les contacts exposés avec du ruban adhésif ou du ruban de masquage et emballez la batterie de telle sorte qu'elle ne puisse pas bouger dans l'emballage.
11. Lors de la mise au rebut de la batterie, retirez-la de l'outil et jetez-la en lieu sûr. Suivez les réglementations locales en matière de mise au rebut des batteries.
12. Utilisez les batteries uniquement avec les produits spécifiés par Makita. L'insertion de batteries dans des produits non conformes peut provoquer un incendie, une chaleur excessive, une explosion ou une fuite de l'électrolyte.
13. Lorsque vous n'utilisez pas l'outil pendant une période prolongée, la batterie doit être retirée de l'outil.

## CONSERVEZ CES INSTRUCTIONS.

**ATTENTION** : N'utilisez que des batteries Makita d'origine. L'utilisation de batteries de marque autre que Makita ou de batteries modifiées peut provoquer l'explosion des batteries, ce qui présente un risque d'incendie, de dommages matériels et corporels. Cela annulera également la garantie Makita pour l'outil et le chargeur Makita.

## Conseils pour assurer la durée de vie optimale de la batterie

1. Chargez la batterie avant qu'elle ne soit complètement déchargée. Arrêtez toujours l'outil et rechargez la batterie quand vous remarquez que la puissance de l'outil diminue.
2. Ne rechargez jamais une batterie complètement chargée. La surcharge réduit la durée de service de la batterie.
3. Chargez la batterie à une température ambiante comprise entre 10 °C et 40 °C. Avant de charger une batterie chaude, laissez-la refroidir.
4. Rechargez la batterie si elle est restée inutilisée pendant une période prolongée (plus de six mois).

## DESCRIPTION DU FONCTIONNEMENT

**ATTENTION** : Assurez-vous toujours que l'outil est hors tension et que sa batterie est retirée avant de l'ajuster ou de vérifier son fonctionnement.

### Insertion ou retrait de la batterie

**ATTENTION** : Éteignez toujours l'outil avant de mettre en place ou de retirer la batterie.

**ATTENTION** : Tenez fermement l'outil et la batterie lors de la mise en place ou du retrait de la batterie. Si vous ne tenez pas fermement l'outil et la batterie, ils peuvent vous glisser des mains, et s'abîmer ou vous blesser.

► Fig.1: 1. Voyant rouge 2. Bouton 3. Batterie

Pour retirer la batterie, faites-la glisser hors de l'outil tout en faisant glisser le bouton à l'avant de la batterie.

Pour mettre en place la batterie, alignez la languette sur la batterie avec la rainure sur le compartiment et insérez-la. Insérez-la à fond jusqu'à ce qu'un léger dé clic se fasse entendre. Si le voyant rouge sur le dessus du bouton est visible, cela signifie qu'elle n'est pas bien verrouillée.

**ATTENTION** : Insérez toujours complètement la batterie jusqu'à ce que le voyant rouge ne soit plus visible. Sinon, elle pourrait tomber accidentellement de l'outil, au risque de vous blesser ou de blesser quelqu'un se trouvant près de vous.

**ATTENTION** : N'insérez pas la batterie de force. Si elle ne glisse pas facilement, c'est que vous ne l'insérez pas correctement.

### Indication de la charge restante de la batterie

Uniquement pour les batteries avec voyant lumineux

► Fig.2: 1. Témoins 2. Bouton de vérification

Appuyez sur le bouton de vérification sur la batterie pour indiquer la charge restante de la batterie. Les témoins s'allument pendant quelques secondes.

Témoins			Charge restante
Allumé	Éteint	Clignotant	
■	□	◐	75 % à 100 %
■	■	□	50 % à 75 %
■	■	□	25 % à 50 %
■	□	□	0 % à 25 %
◐	□	□	Chargez la batterie.
■	■	□	Anomalie possible de la batterie.
□	□	■	

**NOTE** : Selon les conditions d'utilisation et la température ambiante, l'indication peut être légèrement différente de la capacité réelle.

## Système de protection de l'outil/la batterie

L'outil est équipé d'un système de protection de l'outil/la batterie. Ce système coupe automatiquement l'alimentation vers le moteur pour prolonger la durée de vie de l'outil et de la batterie. Si l'outil ou la batterie se trouve dans l'une des situations suivantes, l'outil cessera automatiquement de fonctionner.

### Protection contre la surcharge

Lorsque l'outil/la batterie est utilisé(e) d'une manière provoquant un appel de courant anormalement élevé, l'outil s'arrête automatiquement. Dans ce cas, éteignez l'outil et arrêtez la tâche ayant provoqué la surcharge de l'outil. Puis rallumez l'outil pour reprendre la tâche.

### Protection contre la surchauffe

En cas de surchauffe de l'outil ou de la batterie, l'outil s'arrête automatiquement. Dans ce cas, laissez l'outil ou la batterie refroidir avant de rallumer l'outil.

### Protection contre la décharge totale de la batterie

Lorsque la charge de la batterie est insuffisante, l'outil s'arrête automatiquement. Dans ce cas, retirez la batterie de l'outil et chargez-la.

## Fonctionnement de la gâchette

**⚠️ AVERTISSEMENT** : Avant d'insérer la batterie dans l'outil, vérifiez toujours que la gâchette fonctionne bien et revient en position d'arrêt lorsque vous la relâchez.

Pour démarrer l'outil, il suffit d'enclencher la gâchette. Pour arrêter l'outil, relâchez la gâchette.

► **Fig.3:** 1. Gâchette

**NOTE** : Pendant environ une seconde après le serrage, l'outil ne fonctionne pas même en enclenchant la gâchette.

## Fonctionnement de l'inverseur

► **Fig.4:** 1. Levier de l'inverseur

**⚠️ ATTENTION** : Vérifiez toujours le sens de rotation avant d'utiliser l'outil.

**⚠️ ATTENTION** : N'utilisez l'inverseur qu'une fois que l'outil est complètement arrêté. Si vous changez le sens de rotation avant l'arrêt de l'outil, vous risquez de l'endommager.

**⚠️ ATTENTION** : Lorsque vous n'utilisez pas l'outil, placez toujours le levier de l'inverseur en position neutre.

L'outil possède un inverseur qui permet de changer le sens de rotation. Enfoncez le levier de l'inverseur du côté A pour une rotation dans le sens des aiguilles d'une montre, ou du côté B pour une rotation dans le sens inverse des aiguilles d'une montre. La gâchette ne peut pas être enclenchée lorsque le levier de l'inverseur se trouve en position neutre.

## Allumage de la lampe avant

► **Fig.5:** 1. Lampe

**⚠️ ATTENTION** : Évitez de regarder directement le faisceau lumineux ou sa source.

Enclenchez la gâchette pour allumer la lampe. La lampe reste allumée tant que la gâchette est enclenchée. La lampe s'éteint environ 10 secondes après avoir relâché la gâchette.

**NOTE** : Retirez la saleté sur la lentille de la lampe avec un chiffon sec. Prenez soin de ne pas érafler la lentille de la lampe sous peine de diminuer son éclairage.

## Témoïn DEL/avertisseur sonore

► Fig.6: 1. Témoïn DEL

Le témoïn DEL/l'avertisseur sonore sur l'outil indique les fonctions suivantes.

Fonction	État de l'outil	État du témoïn DEL/de l'avertisseur sonore		Mesure à prendre
		Témoïn DEL	Avertisseur sonore	
Arrêt automatique à la fin du serrage	Le couple de serrage pré-réglé a été obtenu et l'outil s'est arrêté.	S'allume en vert pendant environ une seconde.	-	-
Alarme en cas de serrage insuffisant	Le couple de serrage pré-réglé n'a pas été obtenu, car la gâchette a été relâchée avant de terminer le serrage.	S'allume en rouge.	Long signal sonore	Resserrez la vis.
Alarme en cas de faible charge de la batterie	La puissance de la batterie diminue et le moment est venu de changer la batterie.	Clignote lentement en rouge.	Série de longs signaux sonores	Remplacez la batterie par une autre complètement chargée.
Arrêt automatique en cas de faible charge restante de la batterie	La batterie est presque complètement épuisée et l'outil s'est arrêté.	S'allume en rouge.	Long signal sonore	Remplacez la batterie par une autre complètement chargée.
Vérification du fonctionnement du témoïn DEL, de la lumière et de l'avertisseur sonore	Lorsque la batterie est en place, l'outil vérifie le témoïn DEL, la lumière et l'avertisseur sonore.	S'allume d'abord en vert, puis en rouge. (Puis, la lumière s'allume.)	Série de très courts signaux sonores	-
Anti-réinitialisation du contrôleur	Une baisse anormale de tension est survenue sur la batterie pour une raison quelconque et l'outil s'est arrêté.	Clignote alternativement en rouge et en vert.	Série de courts signaux sonores	Remplacez la batterie par une autre complètement chargée.
Protection contre la surchauffe	Le contrôleur de l'outil a présenté une surchauffe anormale et l'outil s'est arrêté.	Clignote rapidement en rouge.	Série de courts signaux sonores	Retirez immédiatement la batterie et laissez refroidir l'outil.
Détection du fonctionnement de la gâchette lors de la mise en place de la batterie	Lorsque la batterie est insérée avec la gâchette enclenchée, l'outil s'arrête pour éviter un démarrage intempestif.	Clignote alternativement en rouge et en vert.	Série de courts signaux sonores	Relâchez la gâchette.
Détection d'une panne du moteur	Une panne du moteur a été détectée. À ce moment précis, l'outil ne fonctionne pas.	Clignote alternativement en rouge et en vert.	Série de courts signaux sonores	Confiez la réparation à votre centre de service après-vente Makita local.
Détection de double frappe	Lorsque l'utilisateur se met à reserrer une vis déjà serrée, l'outil le détecte et s'arrête.	S'allume en rouge.	Long signal sonore	-
Alarme pour l'entretien	Le moment est venu de procéder à l'entretien d'après le nombre pré-défini de vis serrées.	Clignote en jaune.	-	Réinitialisez l'alarme avec le logiciel d'application.
Alarme en cas de communication de données non disponible (avec l'outil connecté à un ordinateur)	Les données ne peuvent pas être échangées entre l'outil et l'ordinateur malgré la connexion.	Clignote en jaune.	-	Redémarrez le logiciel d'application et rebranchez le câble USB.
Indication que la communication de données est disponible (avec l'outil connecté à un ordinateur)	L'outil est connecté à l'ordinateur et la communication des données est disponible.	Clignote en vert.	-	-

## Réglage du couple de serrage

Pour serrer des vis mécaniques, des boulons à six pans creux, etc., avec un couple de serrage donné, procédez au réglage du couple de serrage de la façon suivante.

1. Mettez la batterie en place.
2. Ouvrez manuellement la plaque de changement de sorte que vous puissiez voir un trou.

► **Fig.7:** 1. Plaque de changement

3. Enclenchez la gâchette et relâchez-la de sorte que la bague de réglage pivote et que le trou devienne visible. Puis, retirez la batterie.

4. Utilisez une poignée de réglage en option pour procéder au réglage du couple de serrage. Insérez la broche de la poignée de réglage dans le trou à l'avant de l'outil. Tournez ensuite la poignée de réglage dans le sens des aiguilles d'une montre pour augmenter le couple de serrage, et dans le sens inverse pour le réduire. Utilisez la ligne jaune comme indication approximative.

► **Fig.8:** 1. Poignée de réglage 2. Trou pour la poignée de réglage 3. Ligne jaune

5. Insérez la batterie et assurez-vous que le couple de serrage est bien réglé, au moyen d'un testeur de couple de serrage.

6. Fermez soigneusement la plaque de changement à la main.

## Réglage de la vitesse à vide et de l'angle de rotation, etc.

Vous pouvez régler la vitesse à vide, le nombre de tours, etc., de l'outil avec votre ordinateur. Installez le logiciel d'application sur votre ordinateur et connectez-le à l'outil avec un câble USB.

► **Fig.9:** 1. Câble USB 2. Cache USB 3. Port USB

**REMARQUE :** Assurez-vous que le cache USB est fermé lors du serrage.

**NOTE :** Veuillez contacter un représentant commercial de Makita à propos du logiciel d'application.

## ASSEMBLAGE

**ATTENTION :** Assurez-vous toujours que l'outil est hors tension et que sa batterie est retirée avant d'effectuer toute tâche dessus.

### Sélection de la bonne douille

Pour certains modèles, il existe différents types de douilles suivant le travail à effectuer. Choisissez et installez une douille qui convient au travail à effectuer.

## Installation ou retrait de la douille

► **Fig.10:** 1. Douille 2. Trou 3. Broche

Pour installer la douille, poussez-la dans le carré conducteur de l'outil à l'aide d'une main tout en appuyant de l'autre main sur la broche du carré conducteur jusqu'à ce que la douille se verrouille en place. Pour retirer la douille, tirez simplement dessus en appuyant sur la broche du carré conducteur.

**ATTENTION :** Avant utilisation, assurez-vous que la douille est correctement verrouillée sur le carré conducteur. Une fixation inadéquate de la douille présente un risque de blessure.

## Installation ou retrait de l'embout de vissage/embout à douille

**Selon le pays**

► **Fig.11**

Utilisez exclusivement un embout de vissage/embout à douille doté de la partie à insérer indiquée sur la figure. N'utilisez aucun autre embout de vissage/embout à douille.

**Pour outil à orifice d'embout de vissage peu profond**

A = 12 mm B = 9 mm	Utilisez exclusivement ces types d'embout de vissage. Suivez la procédure 1. (Note) Porte-embout non requis.
-----------------------	--

**Pour outil à orifice d'embout de vissage profond**

A = 17 mm B = 14 mm	Pour installer ces types d'embout de vissage, suivez la procédure 1.
A = 12 mm B = 9 mm	Pour installer ces types d'embout de vissage, suivez la procédure 2. (Note) Un porte-embout est requis pour installer l'embout.

► **Fig.12:** 1. Embout de vissage 2. Manchon

Pour installer l'embout de vissage, tirez le manchon dans le sens de la flèche et insérez l'embout de vissage à fond dans le manchon.

Libérez ensuite le manchon pour fixer l'embout de vissage.

Pour retirer l'embout de vissage, tirez sur le manchon dans le sens de la flèche et enlevez l'embout de vissage.

**NOTE :** Si l'embout de vissage n'est pas inséré assez profondément dans le manchon, celui-ci ne revient pas à sa position d'origine et l'embout de vissage ne se trouve pas bien fixé. Dans ce cas, insérez à nouveau l'embout conformément aux instructions ci-dessus.

**NOTE :** Si vous rencontrez des difficultés pour insérer l'embout de vissage, tirez sur le manchon et insérez l'embout à fond dans le manchon.

**NOTE :** Après avoir inséré l'embout de vissage, assurez-vous qu'il est fermement fixé. Ne l'utilisez pas s'il sort du manchon.

## Installation du crochet

### Accessoire en option

Le crochet se révèle pratique pour accrocher l'outil. Installez le crochet sur les trous sur le corps de l'outil.

► Fig.13: 1. Crochet 2. Trou

## UTILISATION

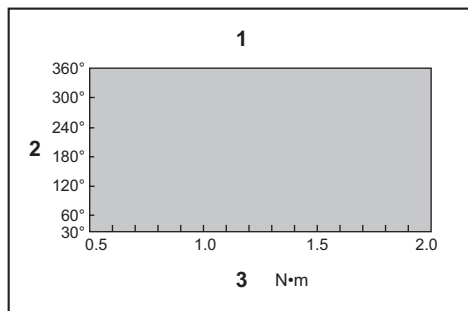
Saisissez fermement l'outil et placez la douille sur le boulon ou l'écrou. Mettez ensuite l'outil sous tension. Lorsque l'embrayage s'active, le moteur s'arrête automatiquement. Relâchez ensuite la gâchette.

**NOTE :** Tenez l'outil en pointant le carré conducteur bien droit sur le boulon ou l'écrou pour éviter d'endommager le boulon ou l'écrou.

### Limites de la capacité de serrage

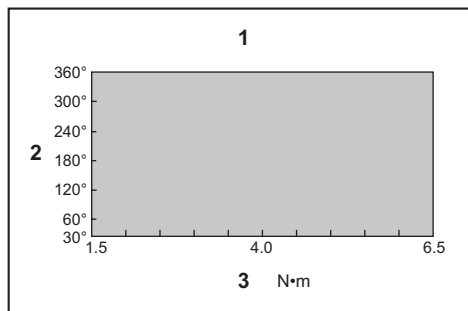
Utilisez l'outil dans les limites de la capacité de serrage. Si vous utilisez l'outil au-delà de ces limites, l'embrayage ne fonctionnera pas. Et l'outil ne pourra pas fournir un couple de serrage suffisant.

#### Pour le modèle DFL020F



1. Plage de la capacité de serrage 2. Angle de rotation  
3. Couple

#### Pour le modèle DFL063F



1. Plage de la capacité de serrage 2. Angle de rotation  
3. Couple

**NOTE :** L'angle de rotation correspond à l'angle depuis le point où le boulon est serré à 50 % du couple souhaité au point où le boulon est serré à 100 % du couple.

**NOTE :** L'utilisation d'une batterie froide peut entraîner un avertissement pour la charge de la batterie via le témoin DEL et l'avertisseur sonore et arrêter immédiatement l'outil, même si la batterie est complètement chargée. Dans ce cas, la capacité de serrage peut être inférieure aux spécifications de ce mode d'emploi.

## ENTRETIEN

**ATTENTION :** Assurez-vous toujours que l'outil est hors tension et que la batterie est retirée avant d'y effectuer tout travail d'inspection ou d'entretien.

**REMARQUE :** N'utilisez jamais d'essence, benzine, diluant, alcool ou autre produit similaire. Cela risquerait de provoquer la décoloration, la déformation ou la fissuration de l'outil.

Pour assurer la SÉCURITÉ et la FIABILITÉ du produit, toute réparation, tout travail d'entretien ou de réglage doivent être effectués par un centre d'entretien Makita agréé, avec des pièces de rechange Makita.

## ACCESSOIRES EN OPTION

**ATTENTION :** Ces accessoires ou pièces complémentaires sont recommandés pour l'utilisation avec l'outil Makita spécifié dans ce mode d'emploi. L'utilisation de tout autre accessoire ou pièce complémentaire peut comporter un risque de blessure. N'utilisez les accessoires ou pièces complémentaires qu'aux fins auxquelles ils ont été conçus.

Pour obtenir plus de détails sur ces accessoires, contactez votre centre d'entretien local Makita.

- Batterie et chargeur Makita d'origine
- Dispositif de protection (jaune, bleu, rouge, clair, vert)
- Poignée de réglage
- Broche complète
- Crochet

**NOTE :** Il se peut que certains éléments de la liste soient compris dans l'emballage de l'outil en tant qu'accessoires standard. Ils peuvent varier d'un pays à l'autre.

## TECHNISCHE DATEN

Modell:		DFL020F	DFL063F
Anzugsmoment	Hartverbindung	0,5 - 2 N•m	1,5 - 6,5 N•m
	Weichverbindung	0,5 - 2 N•m	1,5 - 6,5 N•m
Antriebsvierkant		9,5 mm	
Antriebsschaft Länderspezifisch		6,35 mm Sechskant	
Leerlaufdrehzahl (U/min) **		100 - 1.300 min <sup>-1</sup>	180 - 1.300 min <sup>-1</sup>
Nennspannung		18 V Gleichstrom	
Gesamtlänge (abhängig vom Akku)	mit BL1815N	380 mm	
	mit BL1860B	397 mm	
Nettogewicht		1,3 - 1,6 kg	1,3 - 1,7 kg

- Wir behalten uns vor, Änderungen der technischen Daten im Zuge der Entwicklung und des technischen Fortschritts ohne vorherige Ankündigung vorzunehmen.
- Die technischen Daten können von Land zu Land unterschiedlich sein.
- Das Gewicht kann abhängig von dem Aufsatz (den Aufsätzen), einschließlich des Akkus, unterschiedlich sein. Die leichteste und die schwerste Kombination, gemäß dem EPTA-Verfahren 01/2014, sind in der Tabelle angegeben.
- \*\* Leerlaufdrehzahl ist mit exklusiver Applikation einstellbar.

### Zutreffende Akkus und Ladegeräte

Akku	BL1815N / BL1820 / BL1820B / BL1830 / BL1830B / BL1840 / BL1840B / BL1850 / BL1850B / BL1860B
Ladegerät	DC18RC / DC18RD / DC18RE / DC18SD / DC18SE / DC18SF / DC18SH

- Einige der oben aufgelisteten Akkus und Ladegeräte sind je nach Ihrem Wohngebiet eventuell nicht erhältlich.

**⚠️ WARNUNG:** Verwenden Sie nur die oben aufgeführten Akkus und Ladegeräte. Bei Verwendung irgendwelcher anderer Akkus und Ladegeräte besteht Verletzungs- und/oder Brandgefahr.

### Vorgesehene Verwendung

Das Werkzeug ist für das Eindrehen von Schrauben in Holz, Metall und Kunststoff vorgesehen.

### Geräusch

Typischer A-bewerteter Geräuschpegel ermittelt gemäß EN62841-2-2:

#### Modell DFL020F

Schalldruckpegel ( $L_{pA}$ ): 70 dB (A) oder weniger  
Messunsicherheit (K): 3 dB (A)

#### Modell DFL063F

Schalldruckpegel ( $L_{pA}$ ): 70 dB (A) oder weniger  
Messunsicherheit (K): 3 dB (A)

Der Geräuschpegel kann während des Betriebs 80 dB (A) überschreiten.

**HINWEIS:** Der (Die) angegebene(n) Schallemissionswert(e) wurde(n) im Einklang mit der Standardprüfmethode gemessen und kann (können) für den Vergleich zwischen Werkzeugen herangezogen werden.

**HINWEIS:** Der (Die) angegebene(n) Schallemissionswert(e) kann (können) auch für eine Vorbewertung des Gefährdungsgrads verwendet werden.

**⚠️ WARNUNG:** Einen Gehörschutz tragen.

**⚠️ WARNUNG:** Die Schallemission während der tatsächlichen Benutzung des Elektrowerkzeugs kann je nach der Benutzungsweise des Werkzeugs, und speziell je nach der Art des bearbeiteten Werkstücks, von dem (den) angegebenen Wert(en) abweichen.

**⚠️ WARNUNG:** Identifizieren Sie Sicherheitsmaßnahmen zum Schutz des Benutzers anhand einer Schätzung des Gefährdungsgrads unter den tatsächlichen Benutzungsbedingungen (unter Berücksichtigung aller Phasen des Arbeitszyklus, wie z. B. Ausschalt- und Leerlaufzeiten des Werkzeugs zusätzlich zur Betriebszeit).

### Schwingungen

Schwingungsgesamtwert (Drei-Achsen-Vektorsumme) ermittelt gemäß EN62841-2-2:

#### Modell DFL020F

Arbeitsmodus: Schraubbetrieb ohne Schlag  
Schwingungsemission ( $a_{hv}$ ): 2,5 m/s<sup>2</sup> oder weniger  
Messunsicherheit (K): 1,5 m/s<sup>2</sup>

#### Modell DFL063F

Arbeitsmodus: Schraubbetrieb ohne Schlag  
Schwingungsemission ( $a_{hv}$ ): 2,5 m/s<sup>2</sup> oder weniger  
Messunsicherheit (K): 1,5 m/s<sup>2</sup>

**HINWEIS:** Der (Die) angegebene(n) Vibrationsgesamtwert(e) wurde(n) im Einklang mit der Standardprüfmethode gemessen und kann (können) für den Vergleich zwischen Werkzeugen herangezogen werden.

**HINWEIS:** Der (Die) angegebene(n) Vibrationsgesamtwert(e) kann (können) auch für eine Vorbewertung des Gefährdungsgrads verwendet werden.

**⚠️ WARNUNG:** Die Vibrationsemission während der tatsächlichen Benutzung des Elektrowerkzeugs kann je nach der Benutzungsweise des Werkzeugs, und speziell je nach der Art des bearbeiteten Werkstücks, von dem (den) angegebenen Emissionswert(en) abweichen.

**⚠️ WARNUNG:** Identifizieren Sie Sicherheitsmaßnahmen zum Schutz des Benutzers anhand einer Schätzung des Gefährdungsgrads unter den tatsächlichen Benutzungsbedingungen (unter Berücksichtigung aller Phasen des Arbeitszyklus, wie z. B. Ausschalt- und Leerlaufzeiten des Werkzeugs zusätzlich zur Betriebszeit).

## EG-Konformitätserklärung

### Nur für europäische Länder

Die EG-Konformitätserklärung ist als Anhang A in dieser Bedienungsanleitung enthalten.

## SICHERHEITSWARNUNGEN

### Allgemeine Sicherheitswarnungen für Elektrowerkzeuge

**⚠️ WARNUNG:** Lesen Sie alle mit diesem Elektrowerkzeug gelieferten Sicherheitswarnungen, Anweisungen, Abbildungen und technischen Daten durch. Eine Missachtung der unten aufgeführten Anweisungen kann zu einem elektrischen Schlag, Brand und/oder schweren Verletzungen führen.

### Bewahren Sie alle Warnungen und Anweisungen für spätere Bezugnahme auf.

Der Ausdruck „Elektrowerkzeug“ in den Warnhinweisen bezieht sich auf Ihr mit Netzstrom (mit Kabel) oder Akku (ohne Kabel) betriebenes Elektrowerkzeug.

### Sicherheitswarnungen für Akku-Schrauber

1. Halten Sie das Elektrowerkzeug nur an den isolierten Griffflächen, wenn Sie Arbeiten ausführen, bei denen die Gefahr besteht, dass das Befestigungselement verborgene Kabel kontaktiert. Bei Kontakt mit einem Strom führenden Kabel können die freiliegenden Metallteile des Elektrowerkzeugs ebenfalls Strom führend werden, so dass der Benutzer einen elektrischen Schlag erleiden kann.

2. Achten Sie stets auf sicheren Stand. Vergewissern Sie sich bei Einsatz des Werkzeugs an hochgelegenen Arbeitsplätzen, dass sich keine Personen darunter aufhalten.
3. Halten Sie das Werkzeug mit festem Griff.
4. Halten Sie Ihre Hände von rotierenden Teilen fern.
5. Vermeiden Sie eine Berührung des Einsatzes oder des Werkstücks unmittelbar nach der Bearbeitung, weil die Teile noch sehr heiß sind und Hautverbrennungen verursachen können.
6. Spannen Sie Werkstücke stets in einen Schraubstock oder eine ähnliche Aufspannvorrichtung ein.

## DIESE ANWEISUNGEN AUFBEWAHREN.

**⚠️ WARNUNG:** Lassen Sie sich NICHT durch Bequemlichkeit oder Vertrautheit mit dem Produkt (durch wiederholten Gebrauch erworben) von der strikten Einhaltung der Sicherheitsregeln für das vorliegende Produkt abhalten.

MISSBRAUCH oder Missachtung der Sicherheitsvorschriften in dieser Anleitung können schwere Verletzungen verursachen.

## Wichtige Sicherheitsanweisungen für Akku

1. Lesen Sie vor der Benutzung des Akkus alle Anweisungen und Warnhinweise, die an (1) Ladegerät, (2) Akku und (3) Akkuwerkzeug angebracht sind.
2. Unterlassen Sie ein Zerlegen des Akkus.
3. Falls die Betriebszeit beträchtlich kürzer geworden ist, stellen Sie den Betrieb sofort ein. Anderenfalls besteht die Gefahr von Überhitzung, möglichen Verbrennungen und sogar einer Explosion.
4. Falls Elektrolyt in Ihre Augen gelangt, waschen Sie sie mit sauberem Wasser aus, und begeben Sie sich unverzüglich in ärztliche Behandlung. Anderenfalls können Sie Ihre Sehkraft verlieren.
5. Der Akku darf nicht kurzgeschlossen werden:
  - (1) Die Kontakte dürfen nicht mit leitfähigem Material berührt werden.
  - (2) Lagern Sie den Akku nicht in einem Behälter zusammen mit anderen Metallgegenständen, wie z. B. Nägel, Münzen usw.
  - (3) Setzen Sie den Akku weder Wasser noch Regen aus.

Ein Kurzschluss des Akkus verursacht starken Stromfluss, der Überhitzung, mögliche Verbrennungen und einen Defekt zur Folge haben kann.

6. Lagern Sie das Werkzeug und den Akku nicht an Orten, an denen die Temperatur 50 °C erreichen oder überschreiten kann.
7. Versuchen Sie niemals, den Akku zu verbrennen, selbst wenn er stark beschädigt oder vollkommen verbraucht ist. Der Akku kann im Feuer explodieren.



8. **Achten Sie darauf, dass der Akku nicht fallen gelassen oder Stößen ausgesetzt wird.**
9. **Benutzen Sie keine beschädigten Akkus.**
10. **Die enthaltenen Lithium-Ionen-Akkus unterliegen den Anforderungen der Gefahrgut-Gesetzgebung.**  
Für kommerzielle Transporte, z. B. durch Dritte oder Spediteure, müssen besondere Anforderungen zu Verpackung und Etikettierung beachtet werden.  
Zur Vorbereitung des zu transportierenden Artikels ist eine Beratung durch einen Experten für Gefahrgut erforderlich. Bitte beachten Sie möglicherweise ausführlichere nationale Vorschriften. Überkleben oder verdecken Sie offene Kontakte, und verpacken Sie den Akku so, dass er sich in der Verpackung nicht umher bewegen kann.
11. **Entfernen Sie den Akku zum Entsorgen vom Werkzeug, und entsorgen Sie ihn an einem sicheren Ort. Befolgen Sie die örtlichen Vorschriften bezüglich der Entsorgung von Akkus.**
12. **Verwenden Sie die Akkus nur mit den von Makita angegebenen Produkten.** Das Einsetzen der Akkus in nicht konforme Produkte kann zu einem Brand, übermäßiger Hitzebildung, einer Explosion oder Auslaufen von Elektrolyt führen.
13. **Soll das Werkzeug längere Zeit nicht benutzt werden, muss der Akku vom Werkzeug entfernt werden.**

## DIESE ANWEISUNGEN AUFBEWAHREN.

**⚠ VORSICHT:** Verwenden Sie nur Original-Makita-Akkus. Die Verwendung von Nicht-Original-Makita-Akkus oder von Akkus, die abgeändert worden sind, kann zum Bersten des Akkus und daraus resultierenden Bränden, Personenschäden und Beschädigung führen. Außerdem wird dadurch die Makita-Garantie für das Makita-Werkzeug und -Ladegerät ungültig.

## Hinweise zur Aufrechterhaltung der maximalen Akku-Nutzungsdauer

1. **Laden Sie den Akku, bevor er vollkommen erschöpft ist. Schalten Sie das Werkzeug stets aus, und laden Sie den Akku, wenn Sie ein Nachlassen der Werkzeugleistung feststellen.**
2. **Unterlassen Sie erneutes Laden eines voll aufgeladenen Akkus. Überladen führt zu einer Verkürzung der Nutzungsdauer des Akkus.**
3. **Laden Sie den Akku bei Raumtemperatur zwischen 10 – 40 °C. Lassen Sie einen heißen Akku abkühlen, bevor Sie ihn laden.**
4. **Der Akku muss geladen werden, wenn er lange Zeit (länger als sechs Monate) nicht benutzt wird.**

## FUNKTIONSBESCHREIBUNG

**⚠ VORSICHT:** Vergewissern Sie sich vor der Durchführung von Einstellungen oder Funktionsprüfungen des Werkzeugs stets, dass das Werkzeug ausgeschaltet und der Akku abgenommen ist.

### Anbringen und Abnehmen des Akkus

**⚠ VORSICHT:** Schalten Sie das Werkzeug stets aus, bevor Sie den Akku anbringen oder abnehmen.

**⚠ VORSICHT:** Halten Sie das Werkzeug und den Akku beim Anbringen oder Abnehmen des Akkus sicher fest. Wenn Sie das Werkzeug und den Akku nicht sicher festhalten, können sie Ihnen aus der Hand rutschen, was zu einer Beschädigung des Werkzeugs und des Akkus und zu Körperverletzungen führen kann.

► **Abb.1:** 1. Rote Anzeige 2. Knopf 3. Akku

Ziehen Sie den Akku zum Abnehmen vom Werkzeug ab, während Sie den Knopf an der Vorderseite des Akkus verschieben.

Richten Sie zum Anbringen des Akkus dessen Führungsfeder auf die Nut im Gehäuse aus, und schieben Sie den Akku hinein. Schieben Sie ihn vollständig ein, bis er mit einem hörbaren Klicken einrastet. Falls die rote Anzeige an der Oberseite des Knopfes sichtbar ist, ist der Akku nicht vollständig verriegelt.

**⚠ VORSICHT:** Schieben Sie den Akku stets bis zum Anschlag ein, bis die rote Anzeige nicht mehr sichtbar ist. Anderenfalls kann er aus dem Werkzeug herausfallen und Sie oder umstehende Personen verletzen.

**⚠ VORSICHT:** Unterlassen Sie Gewaltanwendung beim Anbringen des Akkus. Falls der Akku nicht reibungslos hineingleitet, ist er nicht richtig ausgerichtet.

### Anzeigen der Akku-Restkapazität

**Nur für Akkus mit Anzeige**

► **Abb.2:** 1. Anzeigelampen 2. Prüftaste

Drücken Sie die Prüftaste am Akku, um die Akku-Restkapazität anzuzeigen. Die Anzeigelampen leuchten wenige Sekunden lang auf.

Anzeigelampen			Restkapazität
Erleuchtet	Aus	Blinkend	
■	□	▧	75% bis 100%
■ ■ ■ ■	□		50% bis 75%
■ ■	□ □		25% bis 50%
■	□ □ □		0% bis 25%
▧	□ □ □		Den Akku aufladen.
■ ■ □ □	□ □		Möglicherweise liegt eine Funktionsstörung im Akku vor.
	□ □ ■ ■		



**HINWEIS:** Abhängig von den Benutzungsbedingungen und der Umgebungstemperatur kann die Anzeige geringfügig von der tatsächlichen Kapazität abweichen.

## Werkzeug/Akku-Schutzsystem

Das Werkzeug ist mit einem Werkzeug/Akku-Schutzsystem ausgestattet. Dieses System schaltet die Stromversorgung des Motors automatisch ab, um die Lebensdauer von Werkzeug und Akku zu verlängern. Das Werkzeug bleibt während des Betriebs automatisch stehen, wenn das Werkzeug oder der Akku einer der folgenden Bedingungen unterliegt:

### Überlastschutz

Wird das Werkzeug/der Akku auf eine Weise benutzt, die eine ungewöhnlich hohe Stromaufnahme bewirkt, bleibt das Werkzeug automatisch stehen. Schalten Sie in dieser Situation das Werkzeug aus, und brechen Sie die Arbeit ab, die eine Überlastung des Werkzeugs verursacht hat. Schalten Sie dann das Werkzeug wieder ein, um es neu zu starten.

### Überhitzungsschutz

Wenn das Werkzeug/der Akku überhitzt wird, bleibt das Werkzeug automatisch stehen. Lassen Sie das Werkzeug/den Akku in dieser Situation abkühlen, bevor Sie das Werkzeug wieder einschalten.

### Überentladungsschutz

Wenn die Akkukapazität unzureichend wird, bleibt das Werkzeug automatisch stehen. Nehmen Sie in diesem Fall den Akku vom Werkzeug ab, und laden Sie ihn auf.

## Schalterfunktion

**⚠️ WARNUNG:** Vergewissern Sie sich vor dem Einsetzen des Akkus in das Werkzeug stets, dass der Ein-Aus-Schalter ordnungsgemäß funktioniert und beim Loslassen in die AUS-Stellung zurückkehrt.

Zum Einschalten des Werkzeugs drücken Sie einfach den Auslöseschalter. Zum Anhalten lassen Sie den Auslöseschalter los.

► **Abb.3:** 1. Ein-Aus-Schalter

**HINWEIS:** Das Werkzeug funktioniert für ungefähr eine Sekunde nach der Befestigung nicht, selbst wenn der Schalter betätigt wird.

## Funktion des Drehrichtungsumschalters

► **Abb.4:** 1. Drehrichtungsumschalthebel

**⚠️ VORSICHT:** Prüfen Sie stets die Drehrichtung, bevor Sie mit der Arbeit beginnen.

**⚠️ VORSICHT:** Betätigen Sie den Drehrichtungsumschalter erst, nachdem das Werkzeug völlig zum Stillstand gekommen ist. Durch Umschalten der Drehrichtung bei noch laufendem Werkzeug kann das Werkzeug beschädigt werden.

**⚠️ VORSICHT:** Stellen Sie den Drehrichtungsumschalthebel stets auf die Neutralstellung, wenn Sie das Werkzeug nicht benutzen.

Dieses Werkzeug besitzt einen Drehrichtungsumschalter. Drücken Sie auf die Seite A des Drehrichtungsumschalthebels für Rechtsdrehung, und auf die Seite B für Linksdrehung. In der Neutralstellung des Drehrichtungsumschalthebels ist der Ein-Aus-Schalter verriegelt.

## Einschalten der Frontlampe

► **Abb.5:** 1. Lampe

**⚠️ VORSICHT:** Blicken Sie nicht direkt in die Lampe oder die Lichtquelle.

Betätigen Sie den Ein-Aus-Schalter, um die Lampe einzuschalten. Die Lampe bleibt erleuchtet, solange der Ein-Aus-Schalter gedrückt gehalten wird. Die Lampe erlischt ungefähr 10 Sekunden nach dem Loslassen des Ein-Aus-Schalters.

**HINWEIS:** Wischen Sie Schmutz auf der Lampenlinse mit einem trockenen Tuch ab. Achten Sie sorgfältig darauf, dass Sie die Lampenlinse nicht verkratzen, weil sich sonst die Lichtstärke verringert.

# LED-Anzeige/Summer

## ► Abb.6: 1. LED-Anzeige

LED-Anzeige/Summer am Werkzeug zeigen die folgenden Funktionen an.

Funktion	Status des Werkzeugs	Status von LED-Anzeige/Summer		Zu ergreifende Maßnahme
		LED-Anzeige	Summer	
Autostopp bei Befestigungsvollendung	Das voreingestellte Anzugsmoment ist erreicht worden, und das Werkzeug ist stehen geblieben.	Leuchtet für ungefähr eine Sekunde in Grün auf.	-	-
Warnung vor unzureichender Befestigung	Das voreingestellte Anzugsmoment ist nicht erreicht worden, weil der Auslöseschalter vor Vollendung der Befestigung losgelassen wurde.	Leuchtet in Rot auf.	Ein langer Piepton	Die Schraube nachziehen.
Warnung für niedrige Akkukapazität	Der Akku wurde schwach, und es ist an der Zeit, den Akku auszutauschen.	Blinkt langsam in Rot.	Eine Folge langer Pieptöne	Den Akku durch einen voll geladenen ersetzen.
Autostopp bei niedriger Akku-Restkapazität	Der Akku ist nahezu erschöpft, und das Werkzeug ist stehen geblieben.	Leuchtet in Rot auf.	Ein langer Piepton	Den Akku durch einen voll geladenen ersetzen.
Funktion von LED-Anzeige, Leuchte und Summer überprüfen	Wenn der Akku installiert wird, überprüft das Werkzeug seine LED-Anzeige, die Leuchte und den Summer.	Leuchtet zuerst in Grün, dann in Rot auf. (Und dann leuchtet die Leuchte auf.)	Eine Folge sehr kurzer Pieptöne	-
Anti-Rückstellung des Steuergerätes	Die Akkuspannung ist aus irgendeinem Grund anormal abgefallen, und das Werkzeug ist stehen geblieben.	Blinkt abwechselnd in Rot und Grün.	Eine Folge kurzer Pieptöne	Den Akku durch einen voll geladenen ersetzen.
Überhitzungsschutz	Das Steuergerät des Werkzeugs hat sich anormal erhitzt, und das Werkzeug ist stehen geblieben.	Blinkt schnell in Rot.	Eine Folge kurzer Pieptöne	Den Akku sofort abnehmen, und das Werkzeug abkühlen lassen.
Erkennung einer Auslöseschalterbetätigung beim Installieren des Akkus	Wird der Akku bei betätigtem Auslöseschalter installiert, bleibt das Werkzeug stehen, um unbeabsichtigten Start zu vermeiden.	Blinkt abwechselnd in Rot und Grün.	Eine Folge kurzer Pieptöne	Lassen Sie den Auslöseschalter los.
Erkennung einer Motorstörung	Eine Motorstörung wurde erkannt. Zu diesem Zeitpunkt funktioniert das Werkzeug nicht.	Blinkt abwechselnd in Rot und Grün.	Eine Folge kurzer Pieptöne	Wenden Sie sich bezüglich einer Reparatur an Ihre örtliche Makita-Kundendienststelle.
Erkennung von Doppeltreffern	Wenn der Bediener beginnt, eine bereits angezogene Schraube erneut anzuziehen, erkennt das Werkzeug dies und bleibt stehen.	Leuchtet in Rot auf.	Ein langer Piepton	-
Wartungsalarm	Ein Wartungszeitpunkt ist entsprechend der von Ihnen voreingestellten Anzahl von eingedrehten Schrauben erreicht.	Blinkt in Gelb.	-	Setzen Sie den Alarm mit der Anwendungssoftware zurück.
Alarm für nicht verfügbare Datenübertragung (wenn eine Verbindung zwischen Werkzeug und PC besteht)	Trotz der Verbindung können keine Daten zwischen dem Werkzeug und dem PC ausgetauscht werden.	Blinkt in Gelb.	-	Starten Sie die Anwendungssoftware neu, und schließen Sie das USB-Kabel wieder an.
Anzeige, dass Datenübertragung verfügbar ist (wenn eine Verbindung zwischen Werkzeug und PC besteht)	Das Werkzeug ist mit dem PC verbunden, und Datenübertragung ist verfügbar.	Blinkt in Grün.	-	-

## Einstellen des Anzugsmoments

Wenn Sie Maschinenschrauben, Sechskantschrauben usw. mit dem vorgegebenen Drehmoment eindrehen möchten, stellen Sie das Anzugsmoment wie folgt ein.

1. Setzen Sie den Akku ein.
2. Öffnen Sie die Wechselplatte von Hand, so dass Sie eine Öffnung sehen können.  
▶ **Abb.7:** 1. Wechselplatte
3. Betätigen Sie den Auslöseschalter, und lassen Sie ihn los, so dass sich der Einstellring dreht und die Öffnung sichtbar wird. Nehmen Sie dann den Akku ab.
4. Benutzen Sie einen optionalen Einstellknopf, um das Anzugsmoment einzustellen. Führen Sie den Stift des Einstellknopfes in die Öffnung an der Vorderseite des Werkzeugs ein. Drehen Sie dann den Einstellknopf im Uhrzeigersinn, um ein höheres Anzugsmoment einzustellen, bzw. entgegen dem Uhrzeigersinn, um ein niedrigeres Anzugsmoment einzustellen. Verwenden Sie die gelbe Linie als groben Anhaltspunkt.

▶ **Abb.8:** 1. Einstellknopf 2. Öffnung für Einstellknopf 3. Gelbe Linie

5. Setzen Sie den Akku ein, und stellen Sie mithilfe eines Anzugsmomentprüfers sicher, dass ein Anzugsmoment eingerichtet worden ist.
6. Schließen Sie die Wechselplatte sicher von Hand.

## Einstellen der Leerlaufdrehzahl und des Drehwinkels usw.

Sie können die Leerlaufdrehzahl, die Anzahl der Umdrehungen usw. des Werkzeugs mit Ihrem Computer einstellen. Installieren Sie die Anwendungssoftware in Ihrem Computer, und verbinden Sie ihn über ein USB-Kabel mit dem Werkzeug.

▶ **Abb.9:** 1. USB-Kabel 2. USB-Abdeckung 3. USB-Anschluss

**ANMERKUNG:** Vergewissern Sie sich, dass die USB-Abdeckung beim Anziehen geschlossen ist.

**HINWEIS:** Bezüglich der Anwendungssoftware kontaktieren Sie bitte einen Makita-Verkaufsvertreter.

## MONTAGE

**⚠VORSICHT:** Vergewissern Sie sich vor der Ausführung von Arbeiten am Werkzeug stets, dass das Werkzeug ausgeschaltet und der Akku abgenommen ist.

### Wahl der korrekten Stecknuss

Je nach Anwendung sind für manche Modelle unterschiedliche Stecknüsse erhältlich. Wählen und installieren Sie die korrekte Stecknuss für Ihre Anwendung.

## Anbringen und Abnehmen der Stecknuss

▶ **Abb.10:** 1. Stecknuss 2. Öffnung 3. Stift

Um die Stecknuss anzubringen, drücken Sie sie mit der einen Hand auf den Antriebsvierkant des Werkzeugs, während Sie mit der anderen Hand den Stift am Antriebsvierkant hineindrücken, bis die Stecknuss eingerastet. Um die Stecknuss abzunehmen, ziehen Sie sie einfach ab, während Sie den Stift am Antriebsvierkant hineindrücken.

**⚠VORSICHT:** Vergewissern Sie sich vor dem Betrieb, dass die Stecknuss einwandfrei auf dem Antriebsvierkant eingerastet ist. Unvollständige Anbringung der Stecknuss kann Verletzungen verursachen.

## Montage und Demontage von Schraubendrehereinsatz/Steckschlüsseinsatz

### Länderspezifisch

▶ **Abb.11**

Verwenden Sie nur Schraubendrehereinsätze/Steckschlüsseinsätze, deren Einschubteil die in der Abbildung gezeigte Form hat. Verwenden Sie keinen anderen Schraubendrehereinsatz/Steckschlüsseinsatz.

### Für Werkzeug mit flacher Schraubendrehereinsatzaufnahme

A=12 mm  
B=9 mm

Nur diese Schraubendrehereinsatztypen verwenden. Wenden Sie Verfahren 1 an. (Hinweis) Einsatzhalter wird nicht benötigt.

### Für Werkzeug mit tiefer Schraubendrehereinsatzaufnahme

A=17 mm  
B=14 mm

Zur Montage dieser Schraubendrehereinsatztypen wenden Sie Verfahren 1 an.

A=12 mm  
B=9 mm

Zur Montage dieser Schraubendrehereinsatztypen wenden Sie Verfahren 2 an. (Hinweis) Für die Montage des Einsatzes wird ein Einsatzhalter benötigt.

▶ **Abb.12:** 1. Schraubendrehereinsatz 2. Werkzeugaufnahme

Ziehen Sie die Werkzeugaufnahme zum Anbringen des Schraubendrehereinsatzes in Pfeilrichtung, und führen Sie den Schraubendrehereinsatz bis zum Anschlag in die Werkzeugaufnahme ein.

Lassen Sie dann die Werkzeugaufnahme los, um den Schraubendrehereinsatz zu sichern.

Ziehen Sie die Werkzeugaufnahme zum Abnehmen des Schraubendrehereinsatzes in Pfeilrichtung, und ziehen Sie dann den Schraubendrehereinsatz heraus.

**HINWEIS:** Wird der Schraubendrehereinsatz nicht tief genug in die Werkzeugaufnahme eingeführt, kehrt die Werkzeugaufnahme nicht zur Ausgangsstellung zurück, so dass der Schraubendrehereinsatz nicht eingespannt wird. Versuchen Sie in diesem Fall, den Einsatz wie oben beschrieben neu einzuführen.

**HINWEIS:** Wenn das Einführen des Schraubendrehereinsatzes schwierig ist, ziehen Sie die Werkzeugaufnahme zurück, und führen Sie dann den Einsatz bis zum Anschlag in die Werkzeugaufnahme ein.

**HINWEIS:** Vergewissern Sie sich nach dem Einführen des Schraubendrehereinsatzes, dass er einwandfrei gesichert ist. Verwenden Sie ihn nicht, falls er herausrutscht.

## Montieren des Aufhängers

### Sonderzubehör

Der Aufhänger ist praktisch, um das Werkzeug aufzuhängen. Bringen Sie den Aufhänger in den Löchern am Werkzeuggehäuse an.

► **Abb.13:** 1. Aufhänger 2. Loch

## BETRIEB

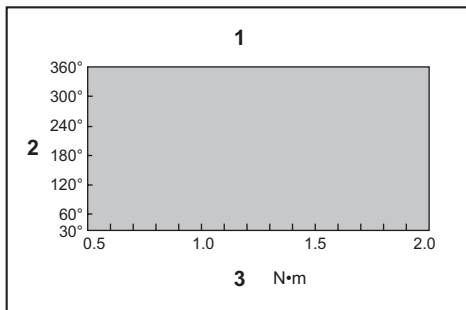
Halten Sie das Werkzeug mit festem Griff, und setzen Sie die Stecknuss auf die Schraube oder Mutter. Schalten Sie dann das Werkzeug ein. Wenn die Kupplung ausrückt, bleibt der Motor automatisch stehen. Lassen Sie dann den Auslöseschalter los.

**HINWEIS:** Halten Sie das Werkzeug so, dass sein Antriebsvierkant gerade auf die Schraube oder Mutter gerichtet ist, weil anderenfalls die Schraube oder Mutter beschädigt wird.

## Grenzen der Anzugskapazität

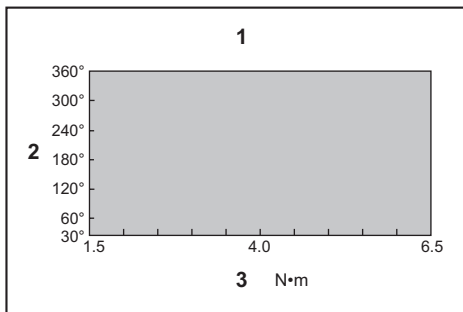
Verwenden Sie das Werkzeug innerhalb der Grenzen der Anzugskapazität. Wird das Werkzeug außerhalb der Grenzen benutzt, funktioniert die Kupplung nicht. Außerdem kann das Werkzeug kein ausreichendes Anzugsmoment erzeugen.

### Für Modell DFL020F



1. Bereich der Anzugskapazität 2. Drehwinkel  
3. Drehmoment

### Für Modell DFL063F



1. Bereich der Anzugskapazität 2. Drehwinkel  
3. Drehmoment

**HINWEIS:** Der Drehwinkel ist der Winkel zwischen dem Punkt, an dem die Schraube zu 50 % des gewünschten Anzugsmoments angezogen ist, und dem Punkt, an dem die Schraube zu 100 % des Anzugsmoments angezogen ist.

**HINWEIS:** Bei Verwendung eines kalten Akkus kann eine Akkukapazitätswarnung durch die LED-Anzeige und den Summer ausgegeben und das Werkzeug sofort angehalten werden, selbst wenn der Akku voll aufgeladen ist. In diesem Fall kann die Anzugskapazität unter der Spezifikation in dieser Anleitung liegen.

## WARTUNG

**⚠VORSICHT:** Vergewissern Sie sich vor der Durchführung von Inspektions- oder Wartungsarbeiten stets, dass das Werkzeug ausgeschaltet und der Akku abgenommen ist.

**ANMERKUNG:** Verwenden Sie auf keinen Fall Benzin, Waschbenzin, Verdüner, Alkohol oder dergleichen. Solche Mittel können Verfärbung, Verformung oder Rissbildung verursachen.

Um die SICHERHEIT und ZUVERLÄSSIGKEIT dieses Produkts zu gewährleisten, sollten Reparaturen und andere Wartungs- oder Einstellarbeiten nur von Makita-Vertragswerkstätten oder Makita-Kundendienstzentren unter ausschließlicher Verwendung von Makita-Originalersatzteilen ausgeführt werden.

# SONDERZUBEHÖR

**⚠ VORSICHT:** Die folgenden Zubehörteile oder Vorrichtungen werden für den Einsatz mit dem in dieser Anleitung beschriebenen Makita-Werkzeug empfohlen. Die Verwendung anderer Zubehörteile oder Vorrichtungen kann eine Verletzungsgefahr darstellen. Verwenden Sie Zubehörteile oder Vorrichtungen nur für ihren vorgesehenen Zweck.

Wenn Sie weitere Einzelheiten bezüglich dieser Zubehörteile benötigen, wenden Sie sich bitte an Ihre Makita-Kundendienststelle.

- Original-Makita-Akku und -Ladegerät
- Schutzkappe (gelb, blau, rot, klar, grün)
- Einstellknopf
- Spindel komplett
- Aufhänger

**HINWEIS:** Manche Teile in der Liste können als Standardzubehör im Werkzeugsatz enthalten sein. Sie können von Land zu Land unterschiedlich sein.

## DATI TECNICI

Modello:		DFL020F	DFL063F
Coppia di serraggio	Giunto rigido	0,5 - 2 N•m	1,5 - 6,5 N•m
	Giunto morbido	0,5 - 2 N•m	1,5 - 6,5 N•m
Trasmissione quadrata		9,5 mm	
Codolo trasmissione Specifica in base alla nazione		6,35 mm esagonale	
Velocità a vuoto (giri/min) <sup>†1</sup>		100 - 1.300 min <sup>-1</sup>	180 - 1.300 min <sup>-1</sup>
Tensione nominale		18 V CC	
Lunghezza complessiva (A seconda della batteria)	con BL1815N	380 mm	
	con BL1860B	397 mm	
Peso netto		1,3 - 1,6 kg	1,3 - 1,7 kg

- A causa del nostro programma continuativo di ricerca e sviluppo, i dati tecnici sono soggetti a modifiche senza preavviso.
- I dati tecnici possono variare da nazione a nazione.
- Il peso può variare a seconda dell'accessorio o degli accessori, inclusa la cartuccia della batteria. La combinazione più leggera e quella più pesante, secondo la procedura EPTA 01/2014, sono indicate nella tabella.
- <sup>†1</sup> La velocità a vuoto è regolabile con un'applicazione esclusiva.

## Cartuccia della batteria e caricabatterie applicabili

Cartuccia della batteria	BL1815N / BL1820 / BL1820B / BL1830 / BL1830B / BL1840 / BL1840B / BL1850 / BL1850B / BL1860B
Caricabatterie	DC18RC / DC18RD / DC18RE / DC18SD / DC18SE / DC18SF / DC18SH

- Alcune cartucce delle batterie e alcuni caricabatterie elencati sopra potrebbero non essere disponibili a seconda della propria area geografica di residenza.

**⚠AVVERTIMENTO:** Utilizzare solo le cartucce delle batterie e i caricabatterie elencati sopra. L'utilizzo di altre cartucce delle batterie e di altri caricabatterie potrebbe causare lesioni personali e/o un incendio.

## Utilizzo previsto

Questo utensile è destinato all'avvitamento di viti nel legno, nel metallo e nella plastica.

## Rumore

Livello tipico di rumore pesato A determinato in base allo standard EN62841-2-2:

### Modello DFL020F

Livello di pressione sonora ( $L_{pA}$ ): 70 dB (A) o inferiore  
Incertezza (K): 3 dB (A)

### Modello DFL063F

Livello di pressione sonora ( $L_{pA}$ ): 70 dB (A) o inferiore  
Incertezza (K): 3 dB (A)

Il livello del rumore nelle condizioni di lavoro può superare gli 80 dB (A).

**NOTA:** Il valore o i valori dichiarati delle emissioni di rumori sono stati misurati in conformità a un metodo standard di verifica, e possono essere utilizzati per confrontare un utensile con un altro.

**NOTA:** Il valore o i valori dichiarati delle emissioni di rumori possono venire utilizzati anche per una valutazione preliminare dell'esposizione.

**⚠AVVERTIMENTO:** Indossare protezioni per le orecchie.

**⚠AVVERTIMENTO:** L'emissione di rumori durante l'utilizzo effettivo dell'utensile elettrico può variare rispetto al valore o ai valori dichiarati, a seconda dei modi in cui viene utilizzato l'utensile e specialmente a seconda di che tipo di pezzo venga lavorato.

**⚠AVVERTIMENTO:** Accertarsi di identificare misure di sicurezza per la protezione dell'operatore che siano basate su una stima dell'esposizione nelle condizioni effettive di utilizzo (tenendo conto di tutte le parti del ciclo operativo, ad esempio del numero di spegnimenti dell'utensile e di quando giri a vuoto, oltre al tempo di attivazione).

## Vibrazioni

Valore totale delle vibrazioni (somma vettoriale triassiale) determinato in base allo standard EN62841-2-2:

### Modello DFL020F

Modalità di lavoro: avvitamento senza impatto  
Emissione di vibrazioni ( $a_h$ ): 2,5 m/s<sup>2</sup> o inferiore  
Incertezza (K): 1,5 m/s<sup>2</sup>

## Modello DFL063F

Modalità di lavoro: avvitemento senza impatto  
Emissione di vibrazioni ( $a_h$ ): 2,5 m/s<sup>2</sup> o inferiore  
Incertezza (K): 1,5 m/s<sup>2</sup>

**NOTA:** Il valore o i valori complessivi delle vibrazioni dichiarati sono stati misurati in conformità a un metodo standard di verifica, e possono essere utilizzati per confrontare un utensile con un altro.

**NOTA:** Il valore o i valori complessivi delle vibrazioni dichiarati possono venire utilizzati anche per una valutazione preliminare dell'esposizione.

**⚠AVVERTIMENTO:** L'emissione delle vibrazioni durante l'utilizzo effettivo dell'utensile elettrico può variare rispetto al valore o ai valori dichiarati, a seconda dei modi in cui viene utilizzato l'utensile, specialmente a seconda di che tipo di pezzo venga lavorato.

**⚠AVVERTIMENTO:** Accertarsi di identificare misure di sicurezza per la protezione dell'operatore che siano basate su una stima dell'esposizione nelle condizioni effettive di utilizzo (tenendo conto di tutte le parti del ciclo operativo, ad esempio del numero di spegnimenti dell'utensile e di quando giri a vuoto, oltre al tempo di attivazione).

## Dichiarazione di conformità CE

### Solo per i paesi europei

La dichiarazione di conformità CE è inclusa nell'Allegato A al presente manuale di istruzioni.

## AVVERTENZE DI SICUREZZA

### Avvertenze generali relative alla sicurezza dell'utensile elettrico

**⚠AVVERTIMENTO:** Leggere tutte le avvertenze di sicurezza, le istruzioni, le illustrazioni e i dati tecnici forniti con il presente utensile elettrico. La mancata osservanza di tutte le istruzioni elencate di seguito potrebbe risultare in scosse elettriche, incendi e/o gravi lesioni personali.

## Conservare tutte le avvertenze e le istruzioni come riferimento futuro.

Il termine "utensile elettrico" nelle avvertenze si riferisce sia all'utensile elettrico (cablato) nel funzionamento alimentato da rete elettrica che all'utensile elettrico (a batteria) nel funzionamento alimentato a batteria.

## Avvertenze di sicurezza relative all'avvitatore a batteria

1. **Mantenere l'utensile per le superfici di impugnatura isolate, quando si intende eseguire un'operazione in cui l'elemento di fissaggio potrebbe entrare in contatto con cablaggi nascosti.** Gli elementi di fissaggio che entrino in contatto con un filo elettrico sotto tensione potrebbero mettere sotto tensione le parti metalliche esposte dell'utensile elettrico, e potrebbero dare una scossa elettrica all'operatore.
2. **Accertarsi sempre di appoggiare i piedi saldamente.** Quando si intende utilizzare l'utensile in posizioni elevate, accertarsi sempre che non sia presente alcuna persona sotto di sé.
3. **Tenere saldamente l'utensile.**
4. **Tenere le mani lontane dalle parti rotanti.**
5. **Non toccare la punta o il pezzo in lavorazione subito dopo l'uso;** la loro temperatura potrebbe essere estremamente elevata e potrebbero causare ustioni.
6. **Fissare sempre il pezzo in lavorazione in una morsa o in un dispositivo di fissaggio simile.**

## CONSERVARE LE PRESENTI ISTRUZIONI.

**⚠AVVERTIMENTO:** NON lasciare che la comodità o la familiarità d'uso con il prodotto (acquisita con l'uso ripetuto) sostituiscano la stretta osservanza delle norme di sicurezza.

L'USO IMPROPRIO o la mancata osservanza delle norme di sicurezza riportate nel presente manuale di istruzioni potrebbero causare lesioni personali gravi.

## Istruzioni di sicurezza importanti per la cartuccia della batteria

1. **Prima di utilizzare la cartuccia della batteria, leggere tutte le istruzioni e le avvertenze riportate (1) sul caricabatteria, (2) sulla batteria e (3) sul prodotto che utilizza la batteria.**
2. **Non smontare la cartuccia della batteria.**
3. **Qualora il tempo di utilizzo si riduca eccessivamente, interrompere immediatamente l'utilizzo dell'utensile.** In caso contrario, si può incorrere nel rischio di surriscaldamento, possibili ustioni e persino un'esplosione.
4. **Qualora l'elettrolita entri in contatto con gli occhi, sciacquarli con acqua pulita e richiedere immediatamente assistenza medica.** Questa eventualità può risultare nella perdita della vista.
5. **Non cortocircuitare la cartuccia della batteria:**
  - (1) **Non toccare i terminali con alcun materiale conduttivo.**
  - (2) **Evitare di conservare la cartuccia della batteria in un contenitore insieme ad altri oggetti metallici quali chiodi, monete, e così via.**
  - (3) **Non esporre la cartuccia della batteria all'acqua o alla pioggia.**

Un cortocircuito della batteria può causare un grande flusso di corrente, un surriscaldamento, possibili ustioni e persino un guasto.

6. Non conservare l'utensile e la cartuccia della batteria in ubicazioni in cui la temperatura possa raggiungere o superare i 50°C.
7. Non incenerire la cartuccia della batteria anche qualora sia gravemente danneggiata o completamente esaurita. La cartuccia della batteria può esplodere se a contatto con il fuoco.
8. Fare attenzione a non far cadere e a non colpire la batteria.
9. Non utilizzare una batteria danneggiata.
10. Le batterie a ioni di litio contenute sono soggette ai requisiti del regolamento sul trasporto di merci pericolose (Dangerous Goods Legislation). Per trasporti commerciali, ad esempio da parte di terzi o spedizionieri, è necessario osservare dei requisiti speciali sull'imballaggio e sull'etichetta. Per la preparazione dell'articolo da spedire, è richiesta la consulenza di un esperto in materiali pericolosi. Attenersi anche alle normative nazionali, che potrebbero essere più dettagliate. Nastrare o coprire i contatti aperti e imballare la batteria in modo tale che non si possa muovere liberamente all'interno dell'imballaggio.
11. Quando si intende smaltire la cartuccia della batteria, rimuoverla dall'utensile e smaltirla in un luogo sicuro. Attenersi alle normative locali relative allo smaltimento della batteria.
12. Utilizzare le batterie esclusivamente con i prodotti specificati da Makita. L'installazione delle batterie in prodotti non compatibili potrebbe risultare in incendi, calore eccessivo, esplosioni o perdite di liquido elettrolitico.
13. Se l'utensile non viene utilizzato per un periodo di tempo prolungato, la batteria deve essere rimossa dall'utensile.

## CONSERVARE LE PRESENTI ISTRUZIONI.

**ATTENZIONE:** Utilizzare solo batterie originali Makita. L'utilizzo di batterie Makita non originali, o di batterie che siano state alterate, potrebbe risultare nello scoppio della batteria, causando incendi, lesioni personali e danni. Inoltre, ciò potrebbe invalidare la garanzia Makita per l'utensile e il caricabatterie Makita.

## Suggerimenti per preservare la durata massima della batteria

1. Caricare la cartuccia della batteria prima che si scarichi completamente. Smettere sempre di utilizzare l'utensile e caricare la cartuccia della batteria quando si nota che la potenza dell'utensile è diminuita.
2. Non ricaricare mai una cartuccia della batteria completamente carica. La sovraccarica riduce la vita utile della batteria.
3. Caricare la cartuccia della batteria a una temperatura ambiente compresa tra 10°C e 40°C. Lasciar raffreddare una cartuccia della batteria prima di caricarla.
4. Caricare la cartuccia della batteria se non la si è utilizzata per un periodo di tempo prolungato (più di sei mesi).

## DESCRIZIONE DELLE FUNZIONI

**ATTENZIONE:** Accertarsi sempre che l'utensile sia spento e che la cartuccia della batteria sia stata rimossa prima di regolare o di controllare il funzionamento dell'utensile.

## Installazione o rimozione della cartuccia della batteria

**ATTENZIONE:** Spegnere sempre l'utensile prima di installare o rimuovere la cartuccia della batteria.

**ATTENZIONE:** Mantenere saldamente lo strumento e la batteria quando si intende installare o rimuovere la cartuccia della batteria. Qualora non si mantengano saldamente lo strumento e la cartuccia della batteria, questi ultimi potrebbero scivolare dalle mani, con la possibilità di causare un danneggiamento dello strumento e della cartuccia della batteria, nonché una lesione personale.

► Fig.1: 1. Indicatore rosso 2. Pulsante 3. Cartuccia della batteria

Per rimuovere la cartuccia della batteria, farla scorrere via dall'utensile mentre si fa scorrere allo stesso tempo il pulsante sulla parte anteriore della cartuccia.

Per installare la cartuccia della batteria, allineare l'appendice della batteria con la scanalatura nell'alloggiamento e farla scivolare in sede. Inserirla completamente fino al suo blocco in sede con un leggero scatto. Se è possibile vedere l'indicatore rosso sul lato superiore del pulsante, la batteria non è bloccata completamente.

**ATTENZIONE:** Installare sempre fino in fondo la cartuccia della batteria, fino a quando l'indicatore rosso non è più visibile. In caso contrario, la batteria potrebbe cadere accidentalmente dall'utensile, causando lesioni personali all'operatore o a chi gli è vicino.

**ATTENZIONE:** Non installare forzatamente la cartuccia della batteria. Qualora la batteria non si inserisca scorrendo agevolmente, vuol dire che non viene inserita correttamente.

## Indicazione della carica residua della batteria

*Solo per cartucce delle batterie dotate di indicatore*

► Fig.2: 1. Indicatori luminosi 2. Pulsante di controllo

Premere il pulsante di controllo sulla cartuccia della batteria per indicare la carica residua della batteria. Gli indicatori luminosi si illuminano per alcuni secondi.



Indicatori luminosi			Carica residua
■ Illuminato	□ Spento	▬ Lampeggiante	
■ ■ ■ ■			Dal 75% al 100%
■ ■ ■ □			Dal 50% al 75%
■ ■ □ □			Dal 25% al 50%
■ □ □ □			Dallo 0% al 25%
▬ □ □ □			Caricare la batteria.
■ ■ □ □	↑ ↓	■ ■	La batteria potrebbe essersi guastata.

**NOTA:** A seconda delle condizioni d'uso e della temperatura ambiente, l'indicazione potrebbe variare leggermente rispetto alla carica effettiva.

## Sistema di protezione strumento/ batteria

L'utensile è dotato di un sistema di protezione dell'utensile stesso e della batteria. Tale sistema interrompe automaticamente l'alimentazione al motore per prolungare la vita utile dell'utensile e della batteria. L'utensile si arresta automaticamente durante il funzionamento, qualora l'utensile o la batteria vengano a trovarsi in una delle condizioni seguenti:

### Protezione dal sovraccarico

Quando si utilizza l'utensile o la batteria in un modo tale da causare un assorbimento di corrente elevato in modo anomalo, l'utensile si arresta automaticamente. In questa circostanza, spegnere l'utensile e interrompere l'applicazione che ha causato il sovraccarico dell'utensile. Quindi, accendere l'utensile per ricominciare.

### Protezione dal surriscaldamento

Quando l'utensile o la batteria sono surriscaldati, l'utensile si arresta automaticamente. In questa situazione, lasciar raffreddare l'utensile o la batteria prima di riaccendere l'utensile.

### Protezione dalla sovrascarica

Quando la carica della batteria non è sufficiente, l'utensile si arresta automaticamente. In tal caso, rimuovere la batteria dall'utensile e caricarla.

## Funzionamento dell'interruttore

**AVVERTIMENTO:** Prima di inserire la cartuccia della batteria nell'utensile, controllare sempre che l'interruttore a grilletto funzioni correttamente e torni sulla posizione "OFF" quando viene rilasciato.

Per avviare l'utensile, è sufficiente premere l'interruttore a grilletto. Per arrestare l'utensile, rilasciare l'interruttore a grilletto.

► Fig.3: 1. Interruttore a grilletto

**NOTA:** Per circa un secondo dopo il serraggio, l'utensile non funziona anche con l'interruttore premuto.

## Uso del commutatore di inversione della rotazione

► Fig.4: 1. Leva del commutatore di inversione della rotazione

**ATTENZIONE:** Controllare sempre la direzione di rotazione prima dell'uso.

**ATTENZIONE:** Utilizzare il commutatore di inversione della rotazione solo dopo l'arresto completo dell'utensile. Qualora si cambi la direzione di rotazione prima dell'arresto dell'utensile, si potrebbe danneggiare quest'ultimo.

**ATTENZIONE:** Quando l'utensile non è in uso, impostare sempre la leva del commutatore di inversione della rotazione sulla posizione centrale.

Questo utensile è dotato di un commutatore di inversione della rotazione, per cambiare la direzione di rotazione. Premere la leva del commutatore di inversione della rotazione dal lato A per la rotazione in senso orario, o dal lato B per la rotazione in senso antiorario. Quando la leva del commutatore di inversione della rotazione si trova sulla posizione centrale, non è possibile premere l'interruttore a grilletto.

## Accensione della lampadina anteriore

► Fig.5: 1. Lampadina

**ATTENZIONE:** Non osservare né guardare direttamente la fonte di luce.

Premere l'interruttore a grilletto per accendere la lampadina. La lampadina resta accesa fintanto che l'interruttore a grilletto è premuto. La lampadina si spegne circa 10 secondi dopo che si è rilasciato l'interruttore a grilletto.

**NOTA:** Per pulire la sporcizia dalla lente della lampadina, utilizzare un panno asciutto. Fare attenzione a non graffiare la lente della lampadina, altrimenti si potrebbe ridurre l'illuminazione.

## Indicatore a LED/cicalino

► Fig.6: 1. Indicatore a LED

L'indicatore a LED o il cicalino sull'utensile mostrano le funzioni seguenti.

Funzione	Stato dell'utensile	Stato dell'indicatore a LED o del cicalino		Misura da adottare
		Indicatore a LED	Cicalino	
Arresto automatico al completamento del serraggio	La coppia di serraggio preimpostata è stata ottenuta e l'utensile si è arrestato.	Si illumina in verde per circa un secondo.	-	-
Avviso di serraggio insufficiente	La coppia di serraggio preimpostata non è stata ottenuta, poiché l'interruttore a grilletto è stato rilasciato prima del completamento del serraggio.	Si illumina in rosso.	Segnale acustico lungo	Serrare nuovamente la vite.
Avviso di bassa capacità della batteria	La carica della batteria è diventata bassa ed è il momento di sostituire la cartuccia della batteria.	Sfarfalla lentamente in rosso.	Serie di segnali acustici lunghi	Sostituire la batteria con una completamente carica.
Arresto automatico con bassa carica residua della batteria	La carica della batteria è quasi completamente esaurita e l'utensile si è arrestato.	Si illumina in rosso.	Segnale acustico lungo	Sostituire la batteria con una completamente carica.
Controllo del funzionamento dell'indicatore a LED, della luce e del cicalino	Quando la cartuccia della batteria viene installata, l'utensile controlla l'indicatore a LED, la luce e il cicalino.	Si illumina innanzitutto in verde, poi in rosso. (Quindi, si accende la luce.)	Serie di segnali acustici molto brevi	-
Antiripristino del controller	La tensione della batteria si è ridotta in modo anomalo per qualche motivo, e l'utensile si è arrestato.	Sfarfalla in rosso e in verde in modo alternato.	Serie di segnali acustici brevi	Sostituire la batteria con una completamente carica.
Protezione dal surriscaldamento	Il controller dell'utensile si è riscaldato in modo anomalo e l'utensile si è arrestato.	Sfarfalla rapidamente in rosso.	Serie di segnali acustici brevi	Rimuovere immediatamente la cartuccia della batteria e far raffreddare l'utensile.
Rilevamento del funzionamento dell'interruttore a grilletto quando si installa la batteria	Quando la cartuccia della batteria viene installata con l'interruttore a grilletto premuto, l'utensile si arresta per evitare l'avvio accidentale.	Sfarfalla in rosso e in verde in modo alternato.	Serie di segnali acustici brevi	Rilasciare l'interruttore a grilletto.
Rilevamento di guasto del motore	È stato rilevato un guasto del motore. In questa circostanza, l'utensile non funziona.	Sfarfalla in rosso e in verde in modo alternato.	Serie di segnali acustici brevi	Richiedere la riparazione al centro di assistenza Makita locale.
Rilevamento di doppio colpo	Quando l'operatore inizia a serrare nuovamente una vite già serrata, l'utensile lo rileva e si arresta.	Si illumina in rosso.	Segnale acustico lungo	-
Avviso di manutenzione	È il momento di effettuare la manutenzione, in base al numero preimpostato di viti avvitate.	Sfarfalla in giallo.	-	Azzerare l'avviso con il software applicativo.
Avviso di comunicazione dati non disponibile (con l'utensile collegato a un PC)	Non si riesce a scambiare dati tra l'utensile e il PC, nonostante il collegamento.	Sfarfalla in giallo.	-	Riavviare il software applicativo e ricollegare il cavo USB.
Indicazione che la comunicazione dati è disponibile (con l'utensile collegato a un PC)	L'utensile è collegato a un PC e la comunicazione dati è disponibile.	Sfarfalla in verde.	-	-

## Regolazione della coppia di serraggio

Quando si desidera avvitare viti per metallo, bulloni esagonali, e così via, con la coppia prestabilita, regolare la coppia di serraggio nel modo seguente.

1. Installare la cartuccia della batteria.
2. Aprire la piastrina di sostituzione a mano, in modo da poter vedere un foro.

► **Fig.7:** 1. Piastrina di sostituzione

3. Premere l'interruttore a grilletto e rilasciarlo in modo da far ruotare l'anello di regolazione e rendere visibile il foro. Quindi, rimuovere la cartuccia della batteria.

4. Utilizzare una manopola di regolazione opzionale per regolare la coppia di serraggio. Inserire la punta della manopola di regolazione nel foro nella parte anteriore dell'utensile. Quindi, ruotare la manopola di regolazione in senso orario per impostare una coppia di serraggio più alta, e in senso antiorario per impostare una coppia di serraggio più bassa. Utilizzare la linea gialla come indicazione di massima.

► **Fig.8:** 1. Manopola di regolazione 2. Foro per la manopola di regolazione 3. Linea gialla

5. Inserire la cartuccia della batteria e accertarsi che sia stata impostata una coppia di serraggio utilizzando un misuratore della coppia di serraggio.

6. Chiudere saldamente a mano la piastrina di sostituzione.

## Regolazione della velocità a vuoto e dell'angolo di rivoluzione, e così via.

È possibile regolare con il computer la velocità a vuoto, il numero di giri, e così via, dell'utensile. Installare il software applicativo sul computer e collegarlo all'utensile con un cavo USB.

► **Fig.9:** 1. Cavo USB 2. Sportellino USB 3. Porta USB

**AVVISO:** Accertarsi che lo sportellino USB sia chiuso durante il serraggio.

**NOTA:** Per il software applicativo, contattare un rappresentante Makita.

## MONTAGGIO

**⚠ATTENZIONE:** Accertarsi sempre che l'utensile sia spento e che la cartuccia della batteria sia stata rimossa, prima di effettuare qualsiasi intervento sull'utensile.

### Selezione della bussola corretta

Sono disponibili svariati tipi di bussole per alcuni modelli, a seconda delle applicazioni. Scegliere e installare una bussola corretta per la propria applicazione.

## Installazione o rimozione della bussola

► **Fig.10:** 1. Bussola 2. Foro 3. Perno

Per installare la bussola, premerla sulla trasmissione quadrata dell'utensile con una mano mentre si fa rientrare il perno sulla trasmissione quadrata con l'altra mano, fino a quando la bussola si innesta in sede. Per rimuovere la bussola, è sufficiente tirarla via mentre si fa rientrare il perno sulla trasmissione quadrata.

**⚠ATTENZIONE:** Prima dell'uso, accertarsi che la bussola sia bloccata correttamente sulla trasmissione quadrata. Un montaggio incompleto della bussola potrebbe causare lesioni personali.

## Installazione o rimozione della punta per avvitatore o della punta a bussola

**Specifica in base alla nazione**

► **Fig.11**

Utilizzare solo una punta per avvitatore o una punta a bussola dotata della parte di inserimento indicata in figura. Non utilizzare punte per avvitatore o punte a bussola di tipo diverso.

**Per un utensile con foro poco profondo per la punta per avvitatore**

A=12 mm B=9 mm	Utilizzare solo questo tipo di punta per avvitatore. Attenersi alla procedura 1. (Nota) L'adattatore per punte non è necessario.
-------------------	---

**Per un utensile con foro profondo per la punta per avvitatore**

A=17 mm B=14 mm	Per installare questi tipi di punte per avvitatore, attenersi alla procedura 1.
A=12 mm B=9 mm	Per installare questi tipi di punte per avvitatore, attenersi alla procedura 2. (Nota) L'adattatore per punte è necessario per installare la punta.

► **Fig.12:** 1. Punta per avvitatore 2. Manicotto

Per installare la punta per avvitatore, tirare il manicotto nella direzione della freccia e inserire fino in fondo la punta per avvitatore nel manicotto.

Quindi, sbloccare il manicotto per fissare la punta per avvitatore.

Per rimuovere la punta per avvitatore, tirare il manicotto nella direzione della freccia ed estrarre la punta per avvitatore.

**NOTA:** Qualora la punta per avvitatore non sia inserita fino in fondo nel manicotto, quest'ultimo non torna sulla sua posizione originale e la punta per avvitatore non viene fissata. In tal caso, provare a reinserire la punta attenendosi alle istruzioni indicate sopra.

**NOTA:** Qualora sia difficile inserire la punta per avvitatore, tirare il manicotto e inserirla nel manicotto fino in fondo.

**NOTA:** Dopo aver inserito la punta per avvitatore, accertarsi che sia fissata saldamente. Qualora fuoriesca, non utilizzarla.

## Installazione del gancio

### Accessorio opzionale

Il gancio è utile per appendere l'utensile. Installare il gancio nei fori sul corpo dell'utensile.

► Fig.13: 1. Gancio 2. Foro

## FUNZIONAMENTO

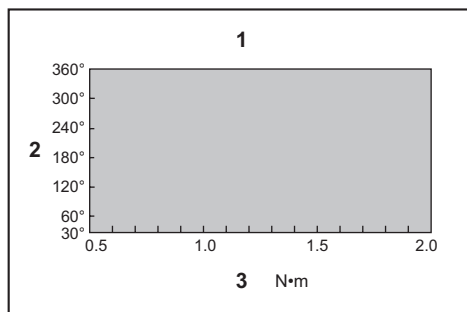
Mantenere saldamente l'utensile e posizionare la bussola sul bullone o sul dado. Quindi, accendere l'utensile. Quando la frizione si innesta, il motore si arresta automaticamente. Quindi, rilasciare l'interruttore a grilletto.

**NOTA:** Mantenere l'utensile con la trasmissione quadrata puntata direttamente verso il bullone o il dado, altrimenti il bullone o il dado viene danneggiato.

### Limiti della capacità di serraggio

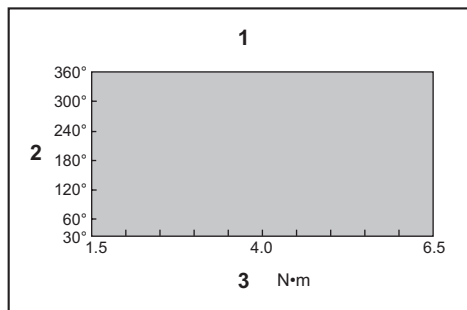
Utilizzare l'utensile entro i limiti della capacità di serraggio. Se si utilizza l'utensile oltre i limiti, la frizione non funziona, e l'utensile non è in grado di fornire una coppia di serraggio sufficiente.

Per il modello DFL020F



1. Gamma della capacità di serraggio 2. Angolo di rotazione 3. Coppia

Per il modello DFL063F



1. Gamma della capacità di serraggio 2. Angolo di rotazione 3. Coppia

**NOTA:** L'angolo di rotazione è l'angolo dal punto in cui il bullone è serrato al 50% della coppia desiderata al punto in cui il bullone è serrato al 100% della coppia.

**NOTA:** L'utilizzo di una cartuccia della batteria fredda potrebbe produrre un avvertimento relativo alla carica della batteria mediante l'indicatore a LED e il cicalino e arrestare immediatamente l'utensile, anche se è completamente carico. In questo caso, la capacità di serraggio potrebbe essere inferiore alla specifica nel presente manuale.

## MANUTENZIONE

**ATTENZIONE:** Accertarsi sempre che l'utensile sia spento e che la cartuccia della batteria sia stata rimossa prima di tentare di eseguire interventi di ispezione o manutenzione.

**AVVISO:** Non utilizzare mai benzina, benzene, solventi, alcol o altre sostanze simili. In caso contrario, si potrebbero causare scolorimenti, deformazioni o crepe.

Per preservare la SICUREZZA e l'AFFIDABILITÀ del prodotto, le riparazioni e qualsiasi altro intervento di manutenzione e di regolazione devono essere eseguiti da un centro di assistenza autorizzato Makita, utilizzando sempre ricambi Makita.

## ACCESSORI OPZIONALI

**ATTENZIONE:** Questi accessori o componenti aggiuntivi sono consigliati per l'uso con l'utensile Makita specificato nel presente manuale. L'impiego di altri accessori o componenti aggiuntivi può costituire un rischio di lesioni alle persone. Utilizzare gli accessori o i componenti aggiuntivi solo per il loro scopo prefissato.

Per ottenere ulteriori dettagli relativamente a questi accessori, rivolgersi a un centro di assistenza Makita.

- Batteria e caricabatterie originali Makita
- Protezione (gialla, blu, rossa, trasparente, verde)
- Manopola di regolazione
- Mandrino completo
- Gancio

**NOTA:** Alcuni articoli nell'elenco potrebbero essere inclusi nell'imballaggio dell'utensile come accessori standard. Tali articoli potrebbero variare da nazione a nazione.

## TECHNISCHE GEGEVENS

Model:		DFL020F	DFL063F
Aandraaikoppel	Harde verbinding	0,5 - 2 N•m	1,5 - 6,5 N•m
	Zachte verbinding	0,5 - 2 N•m	1,5 - 6,5 N•m
Vierkante aandrijfkop		9,5 mm	
Aandrijfschacht Afhankelijk van het land		6,35 mm zeskant	
Nullasttoerental (rpm) <sup>**</sup>		100 - 1.300 min <sup>-1</sup>	180 - 1.300 min <sup>-1</sup>
Nominale spanning		18 V gelijkspanning	
Totale lengte (afhankelijk van de accu)	met BL1815N	380 mm	
	met BL1860B	397 mm	
Nettogewicht		1,3 - 1,6 kg	1,3 - 1,7 kg

- In verband met ononderbroken research en ontwikkeling, behouden wij ons het recht voor de bovenstaande technische gegevens zonder voorafgaande kennisgeving te wijzigen.
- De technische gegevens kunnen van land tot land verschillen.
- Het gewicht kan verschillen afhankelijk van de hulpstukken, waaronder de accu. De lichtste en zwaarste combinatie, overeenkomstig de EPTA-procedure 01/2014, worden getoond in de tabel.
- <sup>\*\*</sup> Het nullasttoerental is instelbaar met een speciaal computerprogramma.

### Toepasselijke accu's en laders

Accu	BL1815N / BL1820 / BL1820B / BL1830 / BL1830B / BL1840 / BL1840B / BL1850 / BL1850B / BL1860B
Lader	DC18RC / DC18RD / DC18RE / DC18SD / DC18SE / DC18SF / DC18SH

- Sommige van de hierboven vermelde accu's en laders zijn mogelijk niet leverbaar afhankelijk van waar u woont.

**⚠ WAARSCHUWING:** Gebruik uitsluitend de accu's en laders die hierboven worden genoemd. Gebruik van enige andere accu of lader kan leiden tot letsel en/of brand.

### Gebruiksdoeleinden

Het gereedschap is bedoeld voor het vastdraaien van schroeven in hout, metaal en kunststof.

### Geluidsniveau

De typische, A-gewogen geluidsniveaus zijn gemeten volgens EN62841-2-2:

#### Model DFL020F

Geluidsdrukniveau ( $L_{pA}$ ): 70 dB (A) of lager  
Onzekerheid (K): 3 dB (A)

#### Model DFL063F

Geluidsdrukniveau ( $L_{pA}$ ): 70 dB (A) of lager  
Onzekerheid (K): 3 dB (A)

Het geluidsniveau kan tijdens gebruik hoger worden dan 80 dB (A).

**OPMERKING:** De opgegeven geluidsemisiewaarde(n) is/zijn gemeten volgens een standaardtestmethode en kan/kunnen worden gebruikt om dit gereedschap te vergelijken met andere gereedschappen.

**OPMERKING:** De opgegeven geluidsemisiewaarde(n) kan/kunnen ook worden gebruikt voor een beoordeling vooraf van de blootstelling.

**⚠ WAARSCHUWING:** Draag gehoorbescherming.

**⚠ WAARSCHUWING:** De geluidsemisatie tijdens het gebruik van het elektrisch gereedschap in de praktijk kan verschillen van de opgegeven waarde(n) afhankelijk van de manier waarop het gereedschap wordt gebruikt, met name van het soort werkstuk waarmee wordt gewerkt.

**⚠ WAARSCHUWING:** Zorg ervoor dat veiligheidsmaatregelen worden getroffen ter bescherming van de gebruiker die zijn gebaseerd op een schatting van de blootstelling onder praktijkomstandigheden (rekening houdend met alle fasen van de bedrijfscyclus, zoals de tijdsduur gedurende welke het gereedschap is uitgeschakeld en stationair draait, naast de ingeschakelde tijdsduur).

### Trilling

De totale trillingswaarde (triaxiale vectorsom) zoals vastgesteld volgens EN62841-2-2:

#### Model DFL020F

Gebruikstoepassing: schroeven aandraaien zonder slagwerking

Trillingsemisatie ( $a_{h}$ ): 2,5 m/s<sup>2</sup> of lager  
Onzekerheid (K): 1,5 m/s<sup>2</sup>

## Model DFL063F

Gebruikstoepassing: schroeven aandraaien zonder slagwerking

Trillingsemissie ( $a_{h1}$ ): 2,5 m/s<sup>2</sup> of lager

Onzekerheid (K): 1,5 m/s<sup>2</sup>

**OPMERKING:** De totale trillingswaarde(n) is/zijn gemeten volgens een standaardtestmethode en kan/kunnen worden gebruikt om dit gereedschap te vergelijken met andere gereedschappen.

**OPMERKING:** De opgegeven totale trillingswaarde(n) kan/kunnen ook worden gebruikt voor een beoordeling vooraf van de blootstelling.

**⚠️ WAARSCHUWING:** De trillingsemissie tijdens het gebruik van het elektrisch gereedschap in de praktijk kan verschillen van de opgegeven waarde(n) afhankelijk van de manier waarop het gereedschap wordt gebruikt, met name van het soort werkstuk waarmee wordt gewerkt.

**⚠️ WAARSCHUWING:** Zorg ervoor dat veiligheidsmaatregelen worden getroffen ter bescherming van de gebruiker die zijn gebaseerd op een schatting van de blootstelling onder praktijkomstandigheden (rekening houdend met alle fasen van de bedrijfscyclus, zoals de tijdsduur gedurende welke het gereedschap is uitgeschakeld en stationair draait, naast de ingeschakelde tijdsduur).

## EG-verklaring van conformiteit

### *Alleen voor Europese landen*

De EG-verklaring van conformiteit is bijgevoegd als Bijlage A bij deze gebruiksaanwijzing.

## VEILIGHEIDSWAARSCHUWINGEN

### Algemene veiligheidswaarschuwingen voor elektrisch gereedschap

**⚠️ WAARSCHUWING:** Lees alle veiligheidswaarschuwingen, aanwijzingen, afbeeldingen en technische gegevens behorend bij dit elektrische gereedschap aandachtig door. Als u niet alle onderstaande aanwijzingen naleeft, kan dat resulteren in brand, elektrische schokken en/of ernstig letsel.

### Bewaar alle waarschuwingen en instructies om in de toekomst te kunnen raadplegen.

De term "elektrisch gereedschap" in de veiligheidsvoorschriften duidt op gereedschappen die op stroom van het lichtnet werken (met snoer) of gereedschappen met een accu (snoerloos).

## Veiligheidswaarschuwingen voor een accuschroefmachine

- Houd elektrisch gereedschap alleen vast aan de geïsoleerde handgrepen, wanneer u werkt op plaatsen waar het bevestigingsmateriaal met verborgen bedrading in aanraking kan komen.** Als een draad die onder stroom staat wordt beschadigd, kunnen de metalen delen van het gereedschap ook onder stroom komen te staan en kunt u een gevaarlijke elektrische schok krijgen.
- Zorg ook altijd dat u stevig op een solide bodem staat.** Controleer dat er niemand onder u staat wanneer u het gereedschap op een hoge plaats gebruikt.
- Houd het gereedschap stevig vast.**
- Houd uw handen uit de buurt van draaiende delen.**
- Raak direct na uw werk het bit of het werkstuk niet aan; ze kunnen erg heet zijn en u zou zich kunnen branden.**
- Zet het werkstuk altijd vast in een bankschroef of soortgelijke klemvoorziening.**

## BEWAAR DEZE VOORSCHRIFTEN.

**⚠️ WAARSCHUWING:** Laat u NIET misleiden door een vals gevoel van comfort en bekendheid met het gereedschap (na veelvuldig gebruik) en neem alle veiligheidsvoorschriften van het betreffende gereedschap altijd strikt in acht.

**VERKEERD GEBRUIK** of het niet naleven van de veiligheidsvoorschriften in deze gebruiksaanwijzing kan leiden tot ernstige verwondingen.

## Belangrijke veiligheidsinstructies voor een accu

- Lees alle voorschriften en waarschuwingen op (1) de acculader, (2) de accu, en (3) het product waarvoor de accu wordt gebruikt, alvorens de accu in gebruik te nemen.
- Neem de accu niet uit elkaar.
- Als de gebruikstijd van een opgeladen accu aanzienlijk korter is geworden, moet u het gebruik ervan onmiddellijk stopzetten. Voortgezet gebruik kan oververhitting, brandwonden en zelfs een ontploffing veroorzaken.
- Als elektrolyt in uw ogen is terechtgekomen, spoelt u uw ogen met schoon water en roept u onmiddellijk de hulp van een dokter in. Elektrolyt in de ogen kan blindheid veroorzaken.
- Voorkom kortsluiting van de accu:
  - Raak de accuklemmen nooit aan met een geleidend materiaal.
  - Bewaar de accu niet in een bak waarin andere metalen voorwerpen zoals spijkers, munten e.d. worden bewaard.
  - Stel de accu niet bloot aan water of regen. Kortsluiting van de accu kan oorzaak zijn van een grote stroomafgifte, oververhitting, brandwonden, en zelfs defecten.

6. Bewaar het gereedschap en de accu niet op plaatsen waar de temperatuur kan oplopen tot 50°C of hoger.
7. Werp de accu nooit in het vuur, ook niet wanneer hij zwaar beschadigd of volledig versleten is. De accu kan ontploffen in het vuur.
8. Wees voorzichtig dat u de accu niet laat vallen en hem niet blootstelt aan schokken of stoten.
9. Gebruik nooit een beschadigde accu.
10. De bijgeleverde lithium-ionbatterijen zijn onderhevig aan de vereisten in de wetgeving omtrent gevaarlijke stoffen.

Voor commercieel transport en dergelijke door derden en transporteurs moeten speciale vereisten ten aanzien van verpakking en etikettering worden nageleefd.

Als voorbereiding van het artikel dat wordt getransporteerd is het noodzakelijk een expert op het gebied van gevaarlijke stoffen te raadplegen. Houd u tevens aan mogelijk strengere nationale regelgeving.

Blootliggende contactpunten moeten worden afgedekt met tape en de accu moet zodanig worden verpakt dat deze niet kan bewegen in de verpakking.

11. Wanneer u de accu wilt weggooien, verwijdert u de accu vanaf het gereedschap en gooit u hem op een veilige manier weg. Volg bij het weggooien van de accu de plaatselijke voorschriften.
12. Gebruik de accu's uitsluitend met de gereedschappen die door Makita zijn aanbevolen. Als de accu's worden aangebracht in niet-compatibele gereedschappen, kan dat leiden tot brand, buitensporige warmteontwikkeling, een explosie of lekkage van elektrolyt.
13. Als u het gereedschap gedurende een lange tijd niet denkt te gaan gebruiken, moet de accu vanaf het gereedschap worden verwijderd.

## BEWAAR DEZE INSTRUCTIES.

**⚠ LET OP:** Gebruik uitsluitend originele Makita accu's. Het gebruik van niet-originele accu's, of accu's die zijn gewijzigd, kan ertoe leiden dat de accu ontploft en brand, persoonlijk letsel en schade veroorzaakt. Ook vervalt daarmee de garantie van Makita op het gereedschap en de lader van Makita.

## Tips voor een maximale levensduur van de accu

1. Laad de accu op voordat hij volledig ontladen is. Stop het gebruik van het gereedschap en laad de accu op telkens wanneer u vaststelt dat het vermogen van het gereedschap is afgenomen.
2. Laad een volledig opgeladen accu nooit opnieuw op. Te lang opladen verkort de levensduur van de accu.
3. Laad de accu op bij een omgevingstemperatuur tussen 10°C en 40°C. Laat een warme accu afkoelen alvorens hem op te laden.
4. Laad de accu op als u deze gedurende een lange tijd (meer dan zes maanden) niet gaat gebruiken.

## BESCHRIJVING VAN DE FUNCTIES

**⚠ LET OP:** Zorg altijd dat het gereedschap is uitgeschakeld en de accu ervan is verwijderd alvorens de functies op het gereedschap af te stellen of te controleren.

### De accu aanbrengen en verwijderen

**⚠ LET OP:** Schakel het gereedschap altijd uit voordat u de accu aanbrengt of verwijdert.

**⚠ LET OP:** Houd het gereedschap en de accu stevig vast tijdens het aanbrengen of verwijderen van de accu. Als u het gereedschap en de accu niet stevig vasthoudt, kunnen deze uit uw handen glijpen en het gereedschap of de accu beschadigen, of kan persoonlijk letsel worden veroorzaakt.

► Fig.1: 1. Rood deel 2. Knop 3. Accu

Om de accu te verwijderen verschuift u de knop aan de voorkant van de accu en schuift u tegelijkertijd de accu uit het gereedschap.

Om de accu aan te brengen lijnt u de lip op de accu uit met de groef in de behuizing en duwt u de accu op zijn plaats. Steek de accu zo ver mogelijk in het gereedschap tot u een klikgeluid hoort. Als u het rode deel aan de bovenkant van de knop kunt zien, is de accu niet goed aangebracht.

**⚠ LET OP:** Breng de accu altijd helemaal aan totdat het rode deel niet meer zichtbaar is. Als u dit niet doet, kan de accu per ongeluk uit het gereedschap vallen en u of anderen in uw omgeving verwonden.

**⚠ LET OP:** Breng de accu niet met kracht aan. Als de accu niet gemakkelijk in het gereedschap kan worden geschoven, wordt deze niet goed aangebracht.

### De resterende acculading controleren

*Alleen voor accu's met indicatorlampjes*

► Fig.2: 1. Indicatorlampjes 2. Testknop

Druk op de testknop op de accu om de resterende acculading te zien. De indicatorlampjes branden gedurende enkele seconden.

Indicatorlampjes			Resterende acculading
Brandt	Uit	Knippert	
■	□	▧	75% tot 100%
■	■	□	50% tot 75%
■	□	□	25% tot 50%
■	□	□	0% tot 25%
▧	□	□	Laad de accu op.
■	□	□	Er kan een storing zijn opgetreden in de accu.
□	□	■	



**OPMERKING:** Afhankelijk van de gebruiksomstandigheden en de omgevingstemperatuur, is het mogelijk dat de aangegeven acculading verschilt van de werkelijke acculading.

## Gereedschap-/accubeveiligingssysteem

Het gereedschap is voorzien van een gereedschap-/accubeveiligingssysteem. Dit systeem schakelt automatisch de voeding naar de motor uit om de levensduur van het gereedschap en de accu te verlengen. Het gereedschap kan tijdens het gebruik automatisch stoppen als het gereedschap of de accu aan één van de volgende omstandigheden wordt blootgesteld:

### Overbelastingsbeveiliging

Wanneer het gereedschap/de accu wordt bediend op een manier waarop een abnormaal hoge stroomsterkte wordt getrokken, stopt het gereedschap automatisch. Wanneer dat gebeurt, schakelt u het gereedschap uit en stopt u de toepassing die ertoe leidde dat het gereedschap oververhit raakte. Schakel vervolgens het gereedschap in om het weer te starten.

### Oververhittingsbeveiliging

Wanneer het gereedschap/de accu oververhit is, stopt het gereedschap automatisch. Laat in deze situatie het gereedschap/de accu afkoelen voordat u het gereedschap weer inschakelt.

### Beveiliging tegen te ver ontladen

Als de acculading onvoldoende is, stopt het gereedschap automatisch. In dit het geval verwijdert u de accu vanaf het gereedschap en laadt u de accu op.

## De trekkerschakelaar gebruiken

**WAARSCHUWING:** Alvorens de accu in het gereedschap te plaatsen, moet u altijd controleren of de trekkerschakelaar goed werkt en bij het loslaten terugkeert naar de stand "OFF".

Om het gereedschap te starten, knijpt u gewoon de trekkerschakelaar in. Laat de trekkerschakelaar los om te stoppen.

► Fig.3: 1. Trekkerschakelaar

**OPMERKING:** Gedurende ongeveer één seconde na het bevestigen werkt het gereedschap niet, ook niet wanneer de schakelaar wordt ingeknepen.

## De omkeerschakelaar bedienen

► Fig.4: 1. Omkeerschakelaar

**LET OP:** Controleer altijd de draairichting alvorens het gereedschap te starten.

**LET OP:** Verander de stand van de omkeerschakelaar alleen nadat het gereedschap volledig tot stilstand is gekomen. Als u de draairichting verandert terwijl het gereedschap nog draait, kan het gereedschap beschadigd raken.

**LET OP:** Zet de omkeerschakelaar altijd in de neutrale stand wanneer u het gereedschap niet gebruikt.

Dit gereedschap heeft een omkeerschakelaar voor het veranderen van de draairichting. Druk de omkeerschakelaar in vanaf kant A voor de draairichting rechtsom, of vanaf kant B voor de draairichting linksom.

Wanneer de omkeerschakelaar in de neutrale stand staat, kan de trekkerschakelaar niet worden ingeknepen.

## De lamp op de voorkant gebruiken

► Fig.5: 1. Lamp

**LET OP:** Kijk niet direct in het lamplicht of in de lichtbron.

Knijp de trekkerschakelaar in om de lamp in te schakelen. De lamp blijft branden zo lang de trekkerschakelaar wordt ingeknepen. Ongeveer 10 seconden nadat u de trekkerschakelaar hebt losgelaten, gaat de lamp uit.

**OPMERKING:** Gebruik een droge doek om vuil van de lens van de lamp af te vegen. Wees voorzichtig dat u de lens van de lamp niet bekrast omdat dan de verlichting minder wordt.



## LED-indicator/zoemer

► Fig.6: 1. LED-indicator

De LED-indicator/zoemer op het gereedschap toont de volgende functies.

Functie	Status van het gereedschap	Status van de LED-indicator/zoemer		Te nemen maatregel
		LED-indicator	Zoemer	
Automatisch stoppen na voltooiën van bevestiging	Het vooraf ingestelde aandraaikoppel is bereikt en het gereedschap is gestopt.	Brandt groen gedurende ongeveer één seconde.	-	-
Alarm wegens onvolgende bevestiging	Het vooraf ingestelde aandraaikoppel is niet bereikt omdat de trekverschakelaar is losgelaten voordat de bevestiging werd voltooid.	Brandt rood.	Een lange pieptoon	Draai de schroef opnieuw aan.
Alarm wegens lage acculading	De acculading is laag geworden en het is tijd om de accu te vervangen.	Knippert langzaam rood.	Een serie lange pieptonen	Vervang de accu door een volledig opgeladen accu.
Automatisch stoppen met lage resterende acculading	De acculading is bijna opgebruikt en het gereedschap is gestopt.	Brandt rood.	Een lange pieptoon	Vervang de accu door een volledig opgeladen accu.
Controle van de werking van de LED-indicator, het branden ervan en de zoemer	Wanneer de accu is aangebracht, controleert het gereedschap de LED-indicator, het branden ervan en de zoemer.	Brandt eerst groen en daarna rood. (En daarna gaat de lamp branden.)	Een serie zeer korte pieptonen	-
Anti-reset van controller	De accuspanning is om een of andere reden abnormaal verlaagd en het gereedschap is gestopt.	Knippert beurtelings rood en groen.	Een serie korte pieptonen	Vervang de accu door een volledig opgeladen accu.
Oververhittingsbeveiliging	De controller in het gereedschap is abnormaal opgewarmd en het gereedschap is gestopt.	Knippert snel rood.	Een serie korte pieptonen	Verwijder onmiddellijk de accu en laat het gereedschap afkoelen.
Detectie van bediening van de trekverschakelaar bij het aanbrengen van de accu	Wanneer de accu is aangebracht terwijl de trekverschakelaar is ingeknepen, stopt het gereedschap om onbedoeld starten te voorkomen.	Knippert beurtelings rood en groen.	Een serie korte pieptonen	Laat de trekverschakelaar los.
Detectie motorstoring	Een motorstoring is gedetecteerd. Op dat moment werkt het gereedschap niet.	Knippert beurtelings rood en groen.	Een serie korte pieptonen	Vraag uw plaatselijke Makita-servicecentrum het gereedschap te repareren.
Detectie van dubbel bevestigen	Wanneer de gebruiker een reeds bevestigde schroef opnieuw begint aan te draaien, detecteert het gereedschap dit en stopt het.	Brandt rood.	Een lange pieptoon	-
Alarm wegens onderhoud	Het is tijd voor onderhoud na het door u vooraf ingestelde aantal te bevestigen schroeven.	Knippert geel.	-	Reset het alarm met behulp van de applicatiesoftware.
Alarm omdat datacommunicatie niet mogelijk is (met het gereedschap dat in verbinding staat met de computer)	Data kan niet worden uitgewisseld tussen het gereedschap en de computer ondanks de verbinding ertussen.	Knippert geel.	-	Start de applicatiesoftware opnieuw op en sluit de USB-kabel opnieuw aan.
Aanduiding dat datacommunicatie mogelijk is (met het gereedschap dat in verbinding staat met de computer)	Het gereedschap heeft verbinding met de computer en datacommunicatie is mogelijk.	Knippert groen.	-	-

## Het aandraaikoppel instellen

Wanneer u kolomschroeven, zeskantbouten, enz. wilt indraaien met het vooraf ingestelde koppel, stelt u het aandraaikoppel als volgt in.

1. Breng de accu aan.
2. Open de wisselplaat met de hand zodat u het gat kunt zien.

► **Fig.7:** 1. Wisselplaat

3. Knijp de trekverschakelaar in en laat deze los zodat de stelring draait en het gat zichtbaar wordt. Verwijder daarna de accu.

4. Gebruik een optioneel instelhulpstuk om het aandraaikoppel in te stellen. Steek de punt van het instelhulpstuk in het gat onder de ring op de voorkant van het gereedschap. Draai vervolgens het instelhulpstuk rechtsom om een hoger aandraaikoppel in te stellen, en linksom om een lager aandraaikoppel in te stellen. Gebruik de gele lijn als een grove richtlijn.

► **Fig.8:** 1. Instelhulpstuk 2. Gat voor instelhulpstuk 3. Gele lijn

5. Breng de accu aan en verzeker u ervan dat een aandraaikoppel is ingesteld met behulp van een aandraaikoppeltester.

6. Sluit de wisselplaat stevig met de hand.

## Het nullasttoerental, de draaihoek, enz. instellen

U kunt het nullasttoerental, aantal omwentelingen, enz. van het gereedschap instellen met behulp van een computer. Installeer de applicatiesoftware op uw computer en verbindt deze met behulp van een USB-kabel met het gereedschap.

► **Fig.9:** 1. USB-kabel 2. USB-afdekking 3. USB-aansluiting

**KENNISGEVING:** Zorg ervoor dat de USB-afdekking gesloten is tijdens het bevestigen.

**OPMERKING:** Neem contact op met een Makita-verkoopvertegenwoordiger voor de applicatiesoftware.

## MONTAGE

**⚠ LET OP:** Zorg altijd dat het gereedschap is uitgeschakeld en de accu ervan is verwijderd alvorens enig werk aan het gereedschap uit te voeren.

### De juiste dop selecteren

Er zijn verschillende typen doppen voor sommige modellen afhankelijk van de toepassing. Kies de juiste dop voor uw toepassing en breng deze aan.

## De dop aanbrengen en verwijderen

► **Fig.10:** 1. Dop 2. Gat 3. Pen

Om de dop aan te brengen, duwt u deze met één hand op de vierkante aandrijfpip van het gereedschap en duwt u met de andere hand de pen op de vierkante aandrijfpip in totdat de dop op zijn plaats wordtvergrendeld. Op de dop te verwijderen, trekt u hem er eenvoudig af door de pen op de vierkante aandrijfpip in te drukken.

**⚠ LET OP:** Controleer vóór gebruik of de dop goed is vergrendeld op de vierkante aandrijfpip. Als de dop onvoldoende goed is aangebracht, kan letsel worden veroorzaakt.

## Aanbrengen of verwijderen van het schroefbit of de schroefdop

*Afhankelijk van het land*

► **Fig.11**

Gebruik uitsluitend een schroefbit/schroefdop met een insteekgedeelte zoals aangegeven in de afbeelding. Gebruik geen ander schroefbit/schroefdop.

**Voor gereedschappen met een ondiepe schroefbit-insteekopening**

A=12 mm B=9 mm	Gebruik uitsluitend dit type schroefbit. Volg procedure 1. (Opmerking) De bitadapter is niet nodig.
-------------------	---

**Voor gereedschappen met een diepe schroefbit-insteekopening**

A=17 mm B=14 mm	Om dit type schroefbit te plaatsen, volgt u procedure 1.
A=12 mm B=9 mm	Om dit type schroefbit te plaatsen, volgt u procedure 2. (Opmerking) De bitadapter is nodig om het bit te plaatsen.

► **Fig.12:** 1. Schroefbit 2. Bus

Om het schroefbit te plaatsen, trekt u de bus in de richting van de pijl en steekt u het schroefbit zo ver mogelijk in de bus.

Laat daarna de bus los om het schroefbit te vergrendelen.

Om het schroefbit te verwijderen, trekt u de bus in de richting van de pijl en trekt u het schroefbit er uit.

**OPMERKING:** Als het schroefbit niet diep genoeg in de bus wordt gestoken, zal de bus niet naar haar oorspronkelijke positie terugkeren en zal het schroefbit niet goed vastzitten. In dat geval dient u het bit opnieuw erin te steken volgens de bovenstaande procedure.

**OPMERKING:** Als het moeilijk is om het schroefbit aan te brengen, trekt u aan de bus en steekt u het schroefbit zo ver mogelijk in de bus.

**OPMERKING:** Nadat u het schroefbit in de bus hebt gestoken, controleert u dat het schroefbit stevig vast zit. Als het uit de bus komt, mag u het niet gebruiken.

## De haak aanbrengen

### Optioneel accessoire

De haak is handig om het gereedschap aan op te hangen. Breng de haak aan in de gaten in de behuizing van het gereedschap.

► Fig.13: 1. Haak 2. Gat

## BEDIENING

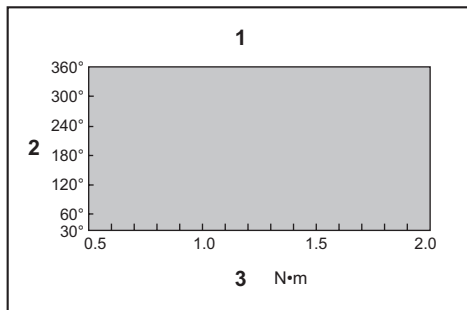
Houd het gereedschap stevig vast en plaats de dop over de boutkop of moer. Schakel vervolgens het gereedschap in. Wanneer de koppeling in werking treedt, stopt de motor automatisch. Laat vervolgens de trekkerschakelaar los.

**OPMERKING:** Houd het gereedschap vast met zijn vierkante aandrijfkop gericht recht op de boutkop of moer omdat anders de boutkop of moer kan worden beschadigd.

## Grenswaarden van de aandraincapaciteit

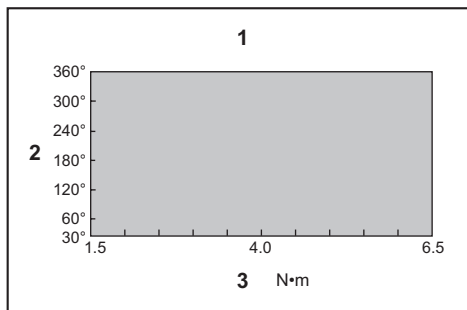
Gebruik het gereedschap binnen de grenswaarden van de aandraincapaciteit. Als u het gereedschap buiten deze grenswaarden gebruikt, werkt de koppeling niet. Het gereedschap kan dan niet voldoende aandrainkoppel leveren.

### Voor model DFL020F



1. Bereik van de aandraincapaciteit 2. Draaihoek  
3. Koppel

### Voor model DFL063F



1. Bereik van de aandraincapaciteit 2. Draaihoek  
3. Koppel

**OPMERKING:** De draaihoek is de hoek vanaf het punt waarop de bout 50% van het gewenste koppel is aangedraaid tot het punt waarop de bout 100% van het koppel is aangedraaid.

**OPMERKING:** Bij gebruik van een koude accu kan door de LED-indicator en zoemer een alarm wegens lage acculading worden gegeven, en kan het gereedschap onmiddellijk stoppen ondanks dat de accu volledig opgeladen is. In dat geval kan de aandraincapaciteit lager zijn dan de specificatie in deze gebruiksaanwijzing.

## ONDERHOUD

**⚠ LET OP:** Zorg altijd dat het gereedschap is uitgeschakeld en de accu ervan is verwijderd alvorens te beginnen met onderhoud of inspectie.

**KENNISGEVING:** Gebruik nooit benzine, wasbenzine, thinner, alcohol en dergelijke. Hierdoor kunnen verkleuring, vervormingen en barsten worden veroorzaakt.

Om de VEILIGHEID en BETROUWBAARHEID van het gereedschap te handhaven, dienen alle reparaties, onderhoud of afstellingen te worden uitgevoerd bij een erkend Makita-servicecentrum of de Makita-fabriek, en altijd met gebruik van Makita-vervangingsonderdelen.

## OPTIONELE ACCESSOIRES

**⚠ LET OP:** Deze accessoires of hulpstukken worden aanbevolen voor gebruik met het Makita gereedschap dat in deze gebruiksaanwijzing is beschreven. Bij gebruik van andere accessoires of hulpstukken bestaat het gevaar van persoonlijke letsel. Gebruik de accessoires of hulpstukken uitsluitend voor hun bestemde doel.

Wenst u meer bijzonderheden over deze accessoires, neem dan contact op met het plaatselijke Makita-servicecentrum.

- Originele Makita accu's en acculaders
- Bescherming (geel, blauw, rood, helder, groen)
- Instelhulpstuk
- As, compleet
- Haak

**OPMERKING:** Sommige items op de lijst kunnen zijn inbegrepen in de doos van het gereedschap als standaard toebehoren. Deze kunnen van land tot land verschillen.

## ESPECIFICACIONES

Modelo:		DFL020F	DFL063F
Par de apriete	Unión fuerte	0,5 - 2 N•m	1,5 - 6,5 N•m
	Unión suave	0,5 - 2 N•m	1,5 - 6,5 N•m
Eje cuadrado		9,5 mm	
Espiga del eje Específica para cada país		6,35 mm Hex.	
Velocidad sin carga (RPM) **		100 - 1.300 min <sup>-1</sup>	180 - 1.300 min <sup>-1</sup>
Tensión nominal		CC 18 V	
Longitud total (Dependiendo de la batería)	con BL1815N	380 mm	
	con BL1860B	397 mm	
Peso neto		1,3 - 1,6 kg	1,3 - 1,7 kg

- Debido a nuestro continuado programa de investigación y desarrollo, las especificaciones aquí dadas están sujetas a cambios sin previo aviso.
- Las especificaciones pueden ser diferentes de país a país.
- El peso puede variar dependiendo del accesorio(s), incluyendo el cartucho de batería. La combinación menos pesada y la más pesada, de acuerdo con el procedimiento EPTA 01/2014, se muestran en la tabla.
- \*\* La velocidad sin carga se puede ajustar con una aplicación exclusiva.

### Cartucho de batería y cargador aplicables

Cartucho de batería	BL1815N / BL1820 / BL1820B / BL1830 / BL1830B / BL1840 / BL1840B / BL1850 / BL1850B / BL1860B
Cargador	DC18RC / DC18RD / DC18RE / DC18SD / DC18SE / DC18SF / DC18SH

- Algunos de los cartuchos de batería y cargadores indicados arriba puede que no estén disponibles dependiendo de su región de residencia.

**⚠ ADVERTENCIA:** Utilice solamente los cartuchos de batería y cargadores listados arriba. La utilización de cualquier otro cartucho de batería y cargador puede ocasionar heridas y/o un incendio.

### Uso previsto

La herramienta ha sido prevista para atornillar en madera, metal y plástico.

### Ruido

El nivel de ruido A-ponderado típico determinado de acuerdo con la norma EN62841-2-2:

#### Modelo DFL020F

Nivel de presión sonora ( $L_{pA}$ ): 70 dB (A) o menos  
Error (K): 3 dB (A)

#### Modelo DFL063F

Nivel de presión sonora ( $L_{pA}$ ): 70 dB (A) o menos  
Error (K): 3 dB (A)

El nivel de ruido en situación de trabajo puede exceder 80 dB (A).

**NOTA:** El valor (o los valores) de emisión de ruido declarado ha sido medido de acuerdo con un método de prueba estándar y se puede utilizar para comparar una herramienta con otra.

**NOTA:** El valor (o valores) de emisión de ruido declarado también se puede utilizar en una valoración preliminar de exposición.

**⚠ ADVERTENCIA:** Póngase protectores para oídos.

**⚠ ADVERTENCIA:** La emisión de ruido durante la utilización real de la herramienta eléctrica puede variar del valor (o los valores) de emisión declarado dependiendo de las formas en las que la herramienta sea utilizada, especialmente qué tipo de pieza de trabajo se procesa.

**⚠ ADVERTENCIA:** Asegúrese de identificar medidas de seguridad para proteger al operario que estén basadas en una estimación de la exposición en las condiciones reales de utilización (teniendo en cuenta todas las partes del ciclo operativo como las veces cuando la herramienta está apagada y cuando está funcionando en vacío además del tiempo de gatillo).

### Vibración

El valor total de la vibración (suma de vectores triaxiales) determinado de acuerdo con la norma EN62841-2-2:

#### Modelo DFL020F

Modo de trabajo: atornillado sin impacto  
Emisión de vibración ( $a_{hv}$ ): 2,5 m/s<sup>2</sup> o menos  
Error (K): 1,5 m/s<sup>2</sup>

## Modelo DFL063F

Modo de trabajo: atornillado sin impacto

Emisión de vibración ( $a_{h1}$ ): 2,5 m/s<sup>2</sup> o menos

Error (K): 1,5 m/s<sup>2</sup>

**NOTA:** El valor (o los valores) total de emisión de vibración declarado ha sido medido de acuerdo con un método de prueba estándar y se puede utilizar para comparar una herramienta con otra.

**NOTA:** El valor (o los valores) total de emisión de vibración declarado también se puede utilizar en una valoración preliminar de exposición.

**⚠ADVERTENCIA:** La emisión de vibración durante la utilización real de la herramienta eléctrica puede variar del valor (o los valores) de emisión declarado dependiendo de las formas en las que la herramienta sea utilizada, especialmente qué tipo de pieza de trabajo se procesa.

**⚠ADVERTENCIA:** Asegúrese de identificar medidas de seguridad para proteger al operario que estén basadas en una estimación de la exposición en las condiciones reales de utilización (teniendo en cuenta todas las partes del ciclo operativo como las veces cuando la herramienta está apagada y cuando está funcionando en vacío además del tiempo de gatillo).

## Declaración CE de conformidad

*Para países europeos solamente*

La declaración CE de conformidad está incluida como Anexo A de esta manual de instrucciones.

## ADVERTENCIAS DE SEGURIDAD

### Advertencias de seguridad para herramientas eléctricas en general

**⚠ADVERTENCIA:** Lea todas las advertencias de seguridad, instrucciones, ilustraciones y especificaciones provistas con esta herramienta eléctrica. Si no sigue todas las instrucciones indicadas abajo podrá resultar en una descarga eléctrica, un incendio y/o heridas graves.

### Guarde todas las advertencias e instrucciones para futuras referencias.

El término "herramienta eléctrica" en las advertencias se refiere a su herramienta eléctrica de funcionamiento con conexión a la red eléctrica (con cable) o herramienta eléctrica de funcionamiento a batería (sin cable).

## Advertencias de seguridad para el atornillador inalámbrico

1. Cuando realice una operación en la que el fijador pueda entrar en contacto con cableado oculto, sujete la herramienta eléctrica por las superficies de asiento aisladas. El contacto del fijador con un cable con corriente hará que la corriente circule por las partes metálicas expuestas de la herramienta eléctrica y podrá soltar una descarga eléctrica al operario.
2. Asegúrese siempre de que tiene suelo firme. Asegúrese de que no haya nadie debajo cuando utilice la herramienta en lugares altos.
3. Sujete la herramienta firmemente.
4. Mantenga las manos alejadas de las partes giratorias.
5. No toque la punta de atornillar o la pieza de trabajo inmediatamente después de la operación; podrán estar muy calientes y quemarle la piel.
6. Sujete siempre la pieza de trabajo en un tornillo de banco o dispositivo de sujeción similar.

## GUARDE ESTAS INSTRUCCIONES.

**⚠ADVERTENCIA:** NO deje que la comodidad o familiaridad con el producto (a base de utilizarlo repetidamente) sustituya la estricta observancia de las normas de seguridad para el producto en cuestión.

El MAL USO o el no seguir las normas de seguridad establecidas en este manual de instrucciones podrá ocasionar graves heridas personales.

## Instrucciones de seguridad importantes para el cartucho de batería

1. Antes de utilizar el cartucho de batería, lea todas las instrucciones e indicaciones de precaución sobre (1) el cargador de baterías, (2) la batería, y (3) el producto con el que se utiliza la batería.
2. No desarme el cartucho de batería.
3. Si el tiempo de uso se acorta demasiado, cese la operación inmediatamente. Podría resultar en un riesgo de recalentamiento, posibles quemaduras e incluso una explosión.
4. Si entra electrolito en sus ojos, aclárelos con agua limpia y acuda a un médico inmediatamente. Existe el riesgo de poder perder la vista.
5. No cortocircuite el cartucho de batería:
  - (1) No toque los terminales con ningún material conductor.
  - (2) Evite guardar el cartucho de batería en un cajón junto con otros objetos metálicos, como clavos, monedas, etc.
  - (3) No exponga el cartucho de batería al agua ni a la lluvia.

Un cortocircuito en la batería puede producir una gran circulación de corriente, un recalentamiento, posibles quemaduras e incluso una rotura de la misma.

6. No guarde la herramienta y el cartucho de batería en lugares donde la temperatura pueda alcanzar o exceder los 50 °C.
7. Nunca incinere el cartucho de batería incluso en el caso de que esté dañado seriamente o ya no sirva en absoluto. El cartucho de batería puede explotar si se tira al fuego.
8. Tenga cuidado de no dejar caer ni golpear el cartucho de batería.
9. No utilice una batería dañada.
10. Las baterías de litio-ion contenidas están sujetas a los requisitos de la Legislación para Materiales Peligrosos.  
Para transportes comerciales, p.ej., por terceras personas y agentes de transportes, se deberán observar requisitos especiales para el empaquetado y etiquetado.  
Para la preparación del artículo que se va a enviar, se requiere consultar con un experto en materiales peligrosos. Por favor, observe también la posibilidad de reglamentos nacionales más detallados. Cubra con cinta aislante o enmascare los contactos expuestos y empaquete la batería de tal manera que no se pueda mover alrededor dentro del embalaje.
11. Para desechar el cartucho de batería, retírelo de la herramienta y deséchelo en un lugar seguro. Siga los reglamentos locales referentes al desecho de la batería.
12. Utilice las baterías solamente con los productos especificados por Makita. La instalación de las baterías en productos no compatibles puede resultar en un incendio, calor excesivo, explosión, o fuga de electrolito.
13. Si la herramienta no va a ser utilizada durante un periodo de tiempo largo, la batería deberá ser retirada de la herramienta.

## GUARDE ESTAS INSTRUCCIONES.

**⚠PRECAUCIÓN:** Utilice solamente baterías genuinas de Makita. La utilización de baterías no genuinas de Makita, o baterías que han sido alteradas, puede resultar en una explosión de la batería ocasionando incendios, heridas personales y daños. También anulará la garantía de Makita para la herramienta y el cargador de Makita.

## Consejos para alargar al máximo la vida de servicio de la batería

1. Cargue el cartucho de batería antes de que se descargue completamente. Detenga siempre la operación y cargue el cartucho de batería cuando note menos potencia en la herramienta.
2. No cargue nunca un cartucho de batería que esté completamente cargado. La sobrecarga acortará la vida de servicio de la batería.
3. Cargue el cartucho de batería a temperatura ambiente de 10 °C - 40 °C. Si un cartucho de batería está caliente, déjelo enfriar antes de cargarlo.
4. Cargue el cartucho de batería si no lo utiliza durante un periodo de tiempo prolongado (más de seis meses).

## DESCRIPCIÓN DEL FUNCIONAMIENTO

**⚠PRECAUCIÓN:** Asegúrese siempre de que la herramienta está apagada y el cartucho de batería retirado antes de realizar cualquier ajuste o comprobación en la herramienta.

## Instalación o extracción del cartucho de batería

**⚠PRECAUCIÓN:** Apague siempre la herramienta antes de instalar o retirar el cartucho de batería.

**⚠PRECAUCIÓN:** Sujete la herramienta y el cartucho de batería firmemente cuando instale o retire el cartucho de batería. Si no sujeta la herramienta y el cartucho de batería firmemente podrán caerse de las manos y resultar en daños a la herramienta y al cartucho de batería y heridas personales.

► Fig.1: 1. Indicador rojo 2. Botón 3. Cartucho de batería

Para retirar el cartucho de batería, deslícelo de la herramienta mientras desliza el botón de la parte frontal del cartucho.

Para instalar el cartucho de batería, alinee la lengüeta del cartucho de batería con la ranura de la carcasa y deslícelo hasta que encaje en su sitio. Insértelo a tope hasta que se bloquee en su sitio produciendo un pequeño chasquido. Si puede ver el indicador rojo en el lado superior del botón, no estará bloqueado completamente.

**⚠PRECAUCIÓN:** Instale siempre el cartucho de batería completamente hasta que no pueda verse el indicador rojo. En caso contrario, podrá caerse accidentalmente de la herramienta y ocasionarle heridas a usted o a alguien que esté cerca de usted.

**⚠PRECAUCIÓN:** No instale el cartucho de batería empleando fuerza. Si el cartucho no se desliza al interior fácilmente, será porque no está siendo insertado correctamente.

## Modo de indicar la capacidad de batería restante

*Solamente para cartuchos de batería con el indicador*

► Fig.2: 1. Lámparas indicadoras 2. Botón de comprobación

Presione el botón de comprobación en el cartucho de batería para indicar la capacidad de batería restante. Las lámparas indicadoras se iluminan durante unos pocos segundos.

Lámparas indicadoras			Capacidad restante
Iluminada	Apagada	Parpadeando	
			75% a 100%
			50% a 75%
			25% a 50%
			0% a 25%
			Cargue la batería.
			Puede que la batería no esté funcionando bien.

**NOTA:** Dependiendo de las condiciones de utilización y de la temperatura ambiente, la indicación podrá variar ligeramente de la capacidad real.

## Sistema de protección de la herramienta / batería

La herramienta está equipada con un sistema de protección de la herramienta/batería. Este sistema corta automáticamente la alimentación al motor para alargar la vida de servicio de la herramienta y la batería. La herramienta se detendrá automáticamente durante la operación si la herramienta o la batería es puesta en una de las condiciones siguientes:

### Protección contra sobrecarga

Cuando la herramienta/batería sea operada de una manera que le haga absorber una corriente anormalmente alta, la herramienta se detendrá automáticamente. En esta situación, apague la herramienta y detenga la tarea que ocasiona la sobrecarga de la herramienta. Después encienda la herramienta para volver a empujar.

### Protección contra el recalentamiento

Cuando la herramienta/batería se recalienta, la herramienta se detiene automáticamente. En esta situación, deje que la herramienta/batería se enfríe antes de encender la herramienta otra vez.

### Protección contra descarga excesiva

Cuando la capacidad de batería no es suficiente, la herramienta se detiene automáticamente. En este caso, retire la batería de la herramienta y cargue la batería.

## Accionamiento del interruptor

**⚠ADVERTENCIA:** Antes de insertar el cartucho de batería en la herramienta, compruebe siempre para cerciorarse de que el gatillo interruptor se acciona debidamente y que vuelve a la posición "OFF" cuando lo suelta.

Para poner en marcha la herramienta, simplemente apriete el gatillo interruptor. Suelte el gatillo interruptor para parar.

► Fig.3: 1. Gatillo interruptor

**NOTA:** Durante un segundo aproximadamente después del apriete, la herramienta no funcionará incluso con el interruptor apretado.

## Accionamiento del interruptor inversor

► Fig.4: 1. Palanca del interruptor inversor

**⚠PRECAUCIÓN:** Confirme siempre la dirección de giro antes de la operación.

**⚠PRECAUCIÓN:** Utilice el interruptor inversor solamente después de que la herramienta se haya parado completamente. Si cambia la dirección de giro antes de que la herramienta se haya parado podrá dañarla.

**⚠PRECAUCIÓN:** Cuando no esté utilizando la herramienta, ponga siempre la palanca del interruptor inversor en la posición neutral.

Esta herramienta tiene un interruptor inversor para cambiar la dirección de giro. Presione hacia dentro la palanca del interruptor inversión del lado A para giro hacia la derecha o del lado B para giro hacia la izquierda.

Cuando la palanca del interruptor inversor está en la posición neutral, el gatillo interruptor no se puede apretar.

## Encendido de la lámpara delantera

► Fig.5: 1. Lámpara

**⚠PRECAUCIÓN:** No mire a la luz ni vea la fuente de luz directamente.

Apriete el gatillo interruptor para encender la lámpara. La lámpara seguirá encendida mientras el gatillo interruptor esté siendo apretado. La lámpara se apagará 10 segundos aproximadamente después de soltar el gatillo interruptor.

**NOTA:** Utilice un paño seco para quitar la suciedad de la lente de la lámpara. Tenga cuidado de no rayar la lente de la lámpara, porque podrá disminuir la iluminación.



## Indicador LED/indicador sonoro

► Fig.6: 1. Indicador LED

El indicador LED/indicador sonoro en la herramienta muestra las funciones siguientes.

Función	Estado de la herramienta	Estado del indicador LED/indicador sonoro		Acción a tomar
		Indicador LED	Indicador sonoro	
Parada automática al completar el apriete	El par de apriete predeterminado se ha alcanzado y la herramienta se ha detenido.	Se ilumina en verde durante aproximadamente un segundo.	-	-
Alarma contra apriete insuficiente	El par de apriete predeterminado no se ha alcanzado, porque el gatillo interruptor ha sido liberado antes de completarse el apriete.	Se ilumina en rojo.	Un pitido largo	Vuelva a apretar el tornillo.
Alarma para capacidad de batería baja	La potencia de la batería se ha vuelto baja y es hora de reemplazar el cartucho de batería.	Parpadea en rojo despacio.	Una serie de pitidos largos	Reemplace la batería con una completamente cargada.
Parada automática con capacidad de batería restante baja	La potencia de la batería está casi agotada y la herramienta se ha detenido.	Se ilumina en rojo.	Un pitido largo	Reemplace la batería con una completamente cargada.
Comprobación de la operación del indicador LED, luz e indicador sonoro	Cuando se instala el cartucho de batería, la herramienta comprueba su indicador LED, la luz y el indicador sonoro.	Se ilumina primero en verde, luego en rojo. (Y después se enciende la luz).	Una serie de pitidos muy cortos	-
Antirrestauración de controlador	La tensión de la batería ha descendido anormalmente por alguna razón, y la herramienta se ha detenido.	Parpadea en rojo y verde alternativamente.	Una serie de pitidos cortos	Reemplace la batería con una completamente cargada.
Protección contra el recalentamiento	El controlador de la herramienta se ha calentado anormalmente y la herramienta se ha detenido.	Parpadea en rojo rápidamente.	Una serie de pitidos cortos	Retire el cartucho de batería inmediatamente y deje enfriar la herramienta.
Detección de operación del gatillo interruptor cuando se instala la batería	Cuando se instala el cartucho de batería con el gatillo interruptor apretado, la herramienta se detiene para evitar una puesta en marcha involuntaria.	Parpadea en rojo y verde alternativamente.	Una serie de pitidos cortos	Libere el gatillo interruptor.
Detección de fallo de motor	Se ha detectado un fallo de motor. En este momento, la herramienta no funciona.	Parpadea en rojo y verde alternativamente.	Una serie de pitidos cortos	Pida a su centro de servicio Makita local que le hagan las reparaciones.
Detección de golpe doble	Cuando el operario comienza a reapretar un tornillo ya apretado, la herramienta lo detecta y se detiene.	Se ilumina en rojo.	Un pitido largo	-
Alarma de mantenimiento	Ha llegado el momento de hacer un mantenimiento de acuerdo con el número predeterminado de tornillos atornillados.	Parpadea en amarillo.	-	Restablezca la alarma con el software de aplicación.
Alarma para comunicación de datos no disponible (con la herramienta en conexión con PC)	Los datos no se pueden intercambiar entre la herramienta y el PC a pesar de la conexión.	Parpadea en amarillo.	-	Reinicie el software de aplicación y vuelva a conectar el cable USB.
Indicación de que hay disponible comunicación de datos (con la herramienta en conexión con PC)	La herramienta está conectada a un PC y la comunicación de datos está disponible.	Parpadea en verde.	-	-



## Ajuste del par de apriete

Cuando desee atornillar tornillos para metales, pernos hexagonales, etc., con el par predeterminado, ajuste el par de apriete de la forma siguiente.

1. Instale el cartucho de batería.
2. Abra a mano la placa de cambio de forma que pueda ver el agujero.  
► **Fig.7:** 1. Placa de cambio
3. Apriete el gatillo interruptor y suéltelo de forma que el anillo de ajuste gire y el agujero se pueda ver. Y después retire el cartucho de batería.

4. Utilice una empuñadura de ajuste opcional para ajustar el par de apriete. Inserte el pasador de la empuñadura de ajuste en el agujero de la parte frontal de la herramienta. Y después, gire la empuñadura de ajuste hacia la derecha para ajustar un par de apriete mayor, y hacia la izquierda para ajustar un par de apriete menor. Utilice la línea amarilla como guía aproximada.

► **Fig.8:** 1. Empuñadura de ajuste 2. Agujero para empuñadura de ajuste 3. Línea amarilla

5. Inserte el cartucho de batería y asegúrese de que ha sido configurado un par de apriete utilizando un probador de par de apriete.
6. Cierre a mano la placa de cambio firmemente.

## Ajuste de la velocidad sin carga y el ángulo de giro, etc.

Puede ajustar la velocidad sin carga, número de vueltas, etc., de la herramienta con su ordenador. Instale el software de aplicación en su ordenador y conéctelo a la herramienta con un cable USB.

► **Fig.9:** 1. Cable USB 2. Tapa USB 3. Puerto USB

**AVISO:** Asegúrese de que la tapa USB está cerrada cuando realice un apriete.

**NOTA:** Para el software de aplicación, por favor, póngase en contacto con el representante de ventas de Makita.

## MONTAJE

**PRECAUCIÓN:** Asegúrese siempre de que la herramienta está apagada y el cartucho de batería retirado antes de realizar cualquier trabajo en la herramienta.

## Selección de la llave de tubo correcta

Para algunos modelos hay diferentes tipos de llaves de tubo dependiendo de las aplicaciones. Elija e instale una llave de tubo correcta para su aplicación.

## Instalación o desmontaje de la llave de tubo

► **Fig.10:** 1. Llave de tubo 2. Agujero 3. Pasador

Para instalar la llave de tubo, empújela contra el eje cuadrado de la herramienta con una mano presionando el pasador del eje cuadrado con la otra mano hasta que se bloquee en su sitio. Para desmontar la llave de tubo, simplemente sáquela presionando el pasador del eje cuadrado.

**PRECAUCIÓN:** Antes de la operación, asegúrese de que la llave de tubo está bloqueada debidamente en el eje cuadrado. Una colocación incompleta de la llave de tubo podrá ocasionar heridas.

## Instalación o desmontaje de la punta de atornillar/punta de tubo

*Especifica para cada país*

► **Fig.11**

Utilice solamente una punta de atornillar/punta de tubo que tenga la porción de inserción mostrada en la figura. No utilice ninguna otra punta de atornillar/punta de tubo.

**Para herramienta con agujero para punta de atornillar corto**

A=12 mm B=9 mm	Utilice solamente estos tipos de puntas de atornillar. Siga el procedimiento 1. (Nota) No se necesita adaptador de punta de atornillar.
-------------------	---

**Para herramienta con agujero de punta de atornillar profundo**

A=17 mm B=14 mm	Para instalar estos tipos de puntas de atornillar, siga el procedimiento 1.
A=12 mm B=9 mm	Para instalar estos tipos de puntas de atornillar, siga el procedimiento 2. (Nota) No se necesita adaptador de punta de atornillar para instalar la punta de atornillar.

► **Fig.12:** 1. Punta de atornillar 2. Manguito

Para instalar la punta de atornillar, tire del manguito en la dirección de la flecha e inserte la punta de atornillar a tope en el manguito.

Después suelte el manguito para sujetar la punta de atornillar.

Para retirar la punta de atornillar, tire del manguito en la dirección de la flecha y saque la punta de atornillar.

**NOTA:** Si la punta de atornillar no está suficientemente insertada en el manguito, el manguito no retornará a su posición original y la punta de atornillar no quedará bien sujeta. En este caso, intente reinsertando la punta de atornillar de acuerdo con las instrucciones de arriba.

**NOTA:** Cuando sea difícil insertar la punta de atornillar, tire del manguito e insértela a tope en el manguito.

**NOTA:** Después de insertar la punta de atornillar, asegúrese de que está sujeta firmemente. Si se sale, no la utilice.

## Instalación del gancho

### Accesorios opcionales

El gancho resulta útil para colgar la herramienta. Instale el gancho en los agujeros del cuerpo de la herramienta.

► Fig.13: 1. Gancho 2. Agujero

## OPERACIÓN

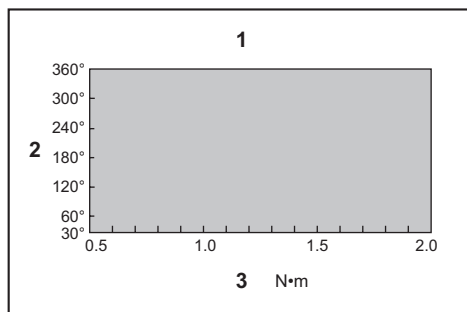
Sujete la herramienta firmemente y ponga la llave de tubo sobre el perno o tuerca. Después encienda la herramienta. Cuando el embrague se acciona, el motor se detiene automáticamente. Después libere el gatillo interruptor.

**NOTA:** Sujete la herramienta con su eje cuadrado apuntando el línea recta al perno o tuerca, o el perno o tuerca se dañará.

### Límites de la capacidad de apriete

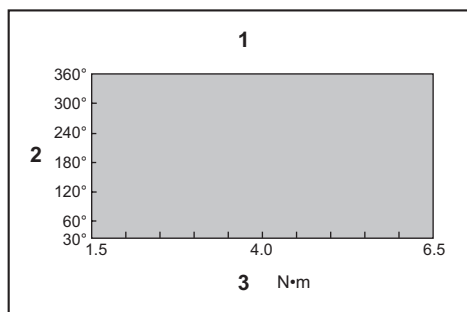
Utilice la herramienta dentro de los límites de la capacidad de apriete. Si utiliza la herramienta más allá de los límites, el embrague no funcionará. Y la herramienta no podrá ofrecer suficiente par de apriete.

Para el modelo DFL020F



1. Rango de capacidad de apriete 2. Ángulo de giro  
3. Par de apriete

Para el modelo DFL063F



1. Rango de capacidad de apriete 2. Ángulo de giro  
3. Par de apriete

**NOTA:** El ángulo de giro es el ángulo desde el punto en el que el perno está atornillado al 50% del par de apriete deseado hasta el punto en el que el perno está atornillado al 100% del par de apriete.

**NOTA:** La utilización de un cartucho de batería frío puede generar una advertencia para la capacidad de batería mediante el indicador LED y el indicador sonoro y detener la herramienta inmediatamente, aunque el cartucho de batería esté completamente cargado. En este caso, la capacidad de apriete podrá ser menor que la especificación en este manual.

## MANTENIMIENTO

**PRECAUCIÓN:** Asegúrese siempre de que la herramienta está apagada y de que el cartucho de batería está retirado antes de intentar hacer una inspección o mantenimiento.

**AVISO:** No utilice nunca gasolina, bencina, disolvente, alcohol o similares. Podría producir descoloración, deformación o grietas.

Para mantener la SEGURIDAD y FIABILIDAD del producto, las reparaciones, y cualquier otra tarea de mantenimiento o ajuste deberán ser realizadas en centros de servicio o de fábrica autorizados por Makita, empleando siempre repuestos Makita.

## ACCESORIOS OPCIONALES

**PRECAUCIÓN:** Estos accesorios o aditamentos están recomendados para su uso con la herramienta Makita especificada en este manual. El uso de cualquier otro accesorio o aditamento puede suponer un riesgo de heridas personales. Utilice el accesorio o aditamento solamente con la finalidad indicada para el mismo.

Si necesita cualquier ayuda para más detalles en relación con estos accesorios, pregunte al centro de servicio Makita local.

- Batería y cargador genuinos de Makita
- Protector (Amarillo, Azul, Rojo, Transparente, Verde)
- Empuñadura de ajuste
- Eje completo
- Gancho

**NOTA:** Algunos elementos de la lista podrán estar incluidos en el paquete de la herramienta como accesorios estándar. Pueden variar de un país a otro.

## ESPECIFICAÇÕES

Modelo:		DFL020F	DFL063F
Binário de aperto	Junta rígida	0,5 - 2 N•m	1,5 - 6,5 N•m
	Junta mole	0,5 - 2 N•m	1,5 - 6,5 N•m
Cabeça quadrada de acionamento		9,5 mm	
Parte roscada do acionamento Específico do país		6,35 mm Hex.	
Velocidade sem carga (RPM) <sup>1</sup>		100 - 1.300 min <sup>-1</sup>	180 - 1.300 min <sup>-1</sup>
Tensão nominal		CC 18 V	
Comprimento total (Dependendo da bateria)	com BL1815N	380 mm	
	com BL1860B	397 mm	
Peso líquido		1,3 - 1,6 kg	1,3 - 1,7 kg

- Devido a um programa contínuo de pesquisa e desenvolvimento, estas especificações estão sujeitas a alteração sem aviso prévio.
- As especificações podem variar de país para país.
- O peso poderá diferir em função do acessório(s), incluindo a bateria. A combinação mais leve e mais pesada, de acordo com o Procedimento EPTA 01/2014, é apresentada na tabela.
- <sup>1</sup>A velocidade sem carga é ajustável com aplicação exclusiva.

### Bateria e carregador aplicável

Bateria	BL1815N / BL1820 / BL1820B / BL1830 / BL1830B / BL1840 / BL1840B / BL1850 / BL1850B / BL1860B
Carregador	DC18RC / DC18RD / DC18RE / DC18SD / DC18SE / DC18SF / DC18SH

- Algumas das baterias e carregadores listados acima poderão não estar disponíveis, dependendo da sua região de residência.

**AVISO:** Utilize apenas as baterias e carregadores listados acima. A utilização de quaisquer outras baterias e carregadores pode causar ferimentos e/ou um incêndio.

### Utilização a que se destina

A ferramenta destina-se ao aparafusamento em madeira, metal e plástico.

### Ruído

A característica do nível de ruído A determinado de acordo com a EN62841-2-2:

#### Modelo DFL020F

Nível de pressão acústica ( $L_{pA}$ ): 70 dB (A) ou menos  
Variabilidade (K): 3 dB (A)

#### Modelo DFL063F

Nível de pressão acústica ( $L_{pA}$ ): 70 dB (A) ou menos  
Variabilidade (K): 3 dB (A)

O nível de ruído durante o funcionamento pode exceder 80 dB (A).

**NOTA:** O(s) valor(es) da emissão de ruído indicado(s) foi medido de acordo com um método de teste padrão e pode ser utilizado para comparar duas ferramentas.

**NOTA:** O(s) valor(es) da emissão de ruído indicado(s) pode também ser utilizado na avaliação preliminar da exposição.

**AVISO:** Utilize protetores auriculares.

**AVISO:** A emissão de ruído durante a utilização real da ferramenta elétrica pode diferir do(s) valor(es) indicado(s), dependendo das formas como a ferramenta é utilizada, especialmente o tipo de peça de trabalho que é processada.

**AVISO:** Certifique-se de identificar as medidas de segurança para proteção do operador que sejam baseadas em uma estimativa de exposição em condições reais de utilização (considerando todas as partes do ciclo de operação, tal como quando a ferramenta está desligada e quando está a funcionar em marcha lenta além do tempo de acionamento).

### Vibração

Valor total da vibração (soma vetorial tri-axial) determinado de acordo com a EN62841-2-2:

#### Modelo DFL020F

Modo de trabalho: aparafusamento sem impacto  
Emissão de vibração ( $a_h$ ): 2,5 m/s<sup>2</sup> ou menos  
Variabilidade (K): 1,5 m/s<sup>2</sup>

## Modelo DFL063F

Modo de trabalho: aparafusamento sem impacto

Emissão de vibração ( $a_{rh}$ ): 2,5 m/s<sup>2</sup> ou menos

Variabilidade (K): 1,5 m/s<sup>2</sup>

**NOTA:** O(s) valor(es) total(ais) de vibração indicado(s) foi medido de acordo com um método de teste padrão e pode ser utilizado para comparar duas ferramentas.

**NOTA:** O(s) valor(es) total(ais) de vibração indicado(s) pode também ser utilizado na avaliação preliminar da exposição.

**⚠️ AVISO:** A emissão de vibração durante a utilização real da ferramenta elétrica pode diferir do(s) valor(es) indicado(s), dependendo das formas como a ferramenta é utilizada, especialmente o tipo de peça de trabalho que é processada.

**⚠️ AVISO:** Certifique-se de identificar as medidas de segurança para proteção do operador que sejam baseadas em uma estimativa de exposição em condições reais de utilização (considerando todas as partes do ciclo de operação, tal como quando a ferramenta está desligada e quando está a funcionar em marcha lenta além do tempo de acionamento).

## Declaração de conformidade da CE

### Apenas para os países europeus

A declaração de conformidade da CE está incluída como Anexo A neste manual de instruções.

## AVISOS DE SEGURANÇA

### Avisos gerais de segurança para ferramentas elétricas

**⚠️ AVISO:** Leia todos os avisos de segurança, instruções, ilustrações e especificações fornecidos com esta ferramenta elétrica. O não cumprimento de todas as instruções indicadas em baixo pode resultar em choque elétrico, incêndio e/ou ferimentos graves.

## Guarde todos os avisos e instruções para futuras referências.

O termo "ferramenta elétrica" nos avisos refere-se às ferramentas elétricas ligadas à corrente elétrica (com cabo) ou às ferramentas elétricas operadas por meio de bateria (sem cabo).

## Avisos de segurança da parafusadeira a bateria

1. **Segure na ferramenta elétrica através das superfícies de aderência isoladas quando realizar uma operação na qual o fixador possa estabelecer contacto com os fios escondidos.** Os fixadores que estabelecem contacto com um fio sob tensão poderão colocar peças metálicas expostas da ferramenta elétrica sob tensão e podem causar um choque elétrico no operador.
2. **Assegure sempre uma posição firme.** Certifique-se de que ninguém se encontram sob locais elevados quando utiliza a ferramenta nestes locais.
3. **Segure a ferramenta com firmeza.**
4. **Mantenha as mãos afastadas de peças rotativas.**
5. **Não toque na broca ou na peça de trabalho imediatamente após a operação;** estas podem estar extremamente quentes e podem queimar a sua pele.
6. **Fixe sempre a peça de trabalho num torno ou num dispositivo de retenção similar.**

## GUARDE ESTAS INSTRUÇÕES.

**⚠️ AVISO:** NÃO permita que o conforto ou a familiaridade com o produto (adquirido com o uso repetido) substitua a adesão estrita às regras de segurança da ferramenta.

**A MÁ INTERPRETAÇÃO** ou o não seguimento das regras de segurança estabelecidas neste manual de instruções pode causar danos pessoais graves.

## Instruções de segurança importantes para a bateria

1. **Antes de utilizar a bateria, leia todas as instruções e etiquetas de precaução no (1) carregador de bateria (2) bateria e (3) produto que utiliza a bateria.**
2. **Não abra a bateria.**
3. **Se o tempo de funcionamento se tornar excessivamente curto, pare o funcionamento imediatamente. Pode resultar em sobreaquecimento, possíveis queimaduras e mesmo explosão.**
4. **Se entrar eletrólito nos seus olhos, lave-os com água e consulte imediatamente um médico. Pode resultar em perda de visão.**
5. **Não coloque a bateria em curto-circuito:**
  - (1) **Não toque nos terminais com qualquer material condutor.**
  - (2) **Evite guardar a bateria juntamente com outros objetos metálicos tais como pregos, moedas, etc.**
  - (3) **Não exponha a bateria à água ou chuva. Um curto-circuito pode ocasionar um enorme fluxo de corrente, sobreaquecimento, possíveis queimaduras e mesmo estragar-se.**

6. Não guarde a ferramenta e a bateria em locais onde a temperatura pode atingir ou exceder 50°C.
7. Não queime a bateria mesmo que esteja estragada ou completamente gasta. A bateria pode explodir no fogo.
8. Tenha cuidado para não deixar cair ou dar pancadas na bateria.
9. Não utilize uma bateria danificada.
10. As baterias de íões de lítio contidas na ferramenta são sujeitas aos requisitos da DGL (Dangerous Goods Legislation - Legislação de bens perigosos).  
Para o transporte comercial, por exemplo, por terceiros ou agentes de expedição, têm de ser observados os requisitos referentes à embalagem e etiquetagem.  
Para preparação do artigo a ser expedido, é necessário consultar um perito em materiais perigosos. Tenha ainda em conta a possibilidade de existirem regulamentos nacionais mais detalhados.  
Coloque fita-cola ou tape os contactos abertos e embale a bateria de tal forma que não possa mover-se dentro da embalagem.
11. Quando eliminar a bateria, remova-a da ferramenta e elimine-a num local seguro. Siga os regulamentos locais relacionados com a eliminação de baterias.
12. Utilize as baterias apenas com os produtos especificados pela Makita. Instalar as baterias em produtos não-conformes poderá resultar num incêndio, calor excessivo, explosão ou fuga de eletrólito.
13. Se a ferramenta não for utilizada durante um período de tempo prolongado, a bateria deve ser removida da ferramenta.

## GUARDE ESTAS INSTRUÇÕES.

**⚠️PRECAUÇÃO:** Utilize apenas baterias genuínas da Makita. A utilização de baterias não genuínas da Makita ou de baterias que foram alteradas, pode resultar no rebentamento da bateria provocando incêndios, ferimentos pessoais e danos. Além disso, anulará da garantia da Makita no que se refere à ferramenta e ao carregador Makita.

## Conselhos para manter a máxima vida útil da bateria

1. Carregue a bateria antes que esteja completamente descarregada. Pare sempre o funcionamento da ferramenta e carregue a bateria quando notar menos poder na ferramenta.
2. Nunca carregue uma bateria completamente carregada. Carregamento excessivo diminui a vida útil da bateria.
3. Carregue a bateria à temperatura ambiente de 10°C – 40°C. Deixe que uma bateria quente arrefeça antes de a carregar.
4. Carregue a bateria se não a utilizar durante um longo período de tempo (mais de seis meses).

## DESCRIÇÃO FUNCIONAL

**⚠️PRECAUÇÃO:** Certifique-se sempre de que a ferramenta está desligada e a bateria foi retirada antes de regular ou verificar qualquer função na ferramenta.

## Instalação ou remoção da bateria

**⚠️PRECAUÇÃO:** Desligue sempre a ferramenta antes de colocar ou retirar a bateria.

**⚠️PRECAUÇÃO:** Segure firmemente a ferramenta e a bateria quando instalar ou remover a bateria. Se não segurar firmemente a ferramenta e a bateria pode fazer com que escorreguem das suas mãos resultando em danos na ferramenta e na bateria e ferimentos pessoais.

► Fig.1: 1. Indicador vermelho 2. Botão 3. Bateria

Para retirar a bateria, deslize-a para fora da ferramenta enquanto desliza o botão na frente da bateria.

Para instalar a bateria, alinhe a lingueta da bateria com a ranhura no compartimento e deslize-a no lugar. Empurre-até o fim para que a mesma encaixe no lugar com um clique. Se puder ver a parte vermelha no lado superior do botão, significa que não está completamente bloqueada.

**⚠️PRECAUÇÃO:** Instale sempre a bateria até ao fim, até deixar de ver o indicador vermelho. Caso contrário, a bateria poderá cair da ferramenta acidentalmente e provocar ferimentos em si mesmo ou em alguém próximo.

**⚠️PRECAUÇÃO:** Não instale a bateria à força. Se a bateria não deslizar facilmente é porque não foi colocada corretamente.

## Indicação da capacidade restante da bateria

*Apenas para baterias com indicador*

► Fig.2: 1. Luzes indicadoras 2. Botão de verificação

Prima o botão de verificação na bateria para indicar a capacidade restante da bateria. As luzes indicadoras acendem durante alguns segundos.

Luzes indicadoras			Capacidade restante
Acaso	Apagado	A piscar	
			75% a 100%
			50% a 75%
			25% a 50%
			0% a 25%
			Carregar a bateria.
			A bateria pode estar avariada.

**NOTA:** Dependendo das condições de utilização e da temperatura ambiente, a indicação pode ser ligeiramente diferente da capacidade real.

## Sistema de proteção da ferramenta/bateria

A ferramenta está equipada com um sistema de proteção da ferramenta/bateria. Este sistema corta automaticamente a corrente para o motor para aumentar a vida da ferramenta e da bateria. A ferramenta para automaticamente durante o funcionamento se a ferramenta ou bateria for colocada mediante uma das seguintes condições:

### Proteção contra sobrecarga

Quando a ferramenta/bateria estiver a operar de uma forma que cause a absorção anormal de corrente elétrica, a ferramenta para automaticamente. Nesta situação, desligue a ferramenta e pare a aplicação que causou a sobrecarga da ferramenta. De seguida, ligue a ferramenta para reiniciar.

### Proteção contra sobreaquecimento

Quando a ferramenta/bateria fica sobreaquecida, a ferramenta para automaticamente. Neste caso, deixe a ferramenta/bateria arrefecer antes de voltar a ligar a ferramenta.

### Proteção contra descarga excessiva

Quando a capacidade da bateria não é suficiente, a ferramenta para automaticamente. Neste caso, retire a bateria da ferramenta e carregue-a.

## Ação do interruptor

**⚠️ AVISO:** Antes de colocar a bateria na ferramenta, verifique sempre se o gatilho do interruptor funciona corretamente e volta para a posição "OFF" quando libertado.

Para iniciar a ferramenta, puxe simplesmente o gatilho do interruptor. Solte o gatilho do interruptor para parar.

► Fig.3: 1. Gatilho

**NOTA:** Durante aproximadamente um segundo após o aperto, a ferramenta não funciona até mesmo com o interruptor premido.

## Ação do interruptor de inversão

► Fig.4: 1. Alavanca do interruptor de inversão

**⚠️ PRECAUÇÃO:** Verifique sempre a direção de rotação antes da operação.

**⚠️ PRECAUÇÃO:** Só utilize o interruptor de inversão depois de a ferramenta estar completamente parada. Mudar a direção de rotação antes de a ferramenta parar pode estragar a ferramenta.

**⚠️ PRECAUÇÃO:** Quando não estiver a utilizar a ferramenta, coloque sempre a alavanca do interruptor de inversão na posição neutra.

Esta ferramenta tem um interruptor de inversão para mudar a direção de rotação. Pressione a alavanca do interruptor de inversão no lado A para rotação para a direita ou no lado B para rotação para a esquerda. Quando a alavanca do interruptor de inversão está na posição neutra, não é possível carregar no gatilho.

## Acender a lâmpada da frente

► Fig.5: 1. Lâmpada

**⚠️ PRECAUÇÃO:** Não olhe para a luz ou para a fonte de iluminação diretamente.

Puxe o gatilho do interruptor para acender a lâmpada. A lâmpada mantém-se acesa enquanto o gatilho do interruptor estiver a ser premido. A lâmpada apaga-se aproximadamente 10 segundos após soltar o gatilho do interruptor.

**NOTA:** Utilize um pano seco para limpar a sujidade da lente da lâmpada. Tenha cuidado para não riscar a lente da lâmpada ou a iluminação pode ficar enfraquecida.

## Indicador LED/sinal sonoro

► Fig.6: 1. Indicador LED

Indicador LED/sinal sonoro na ferramenta mostra as seguintes funções.

Função	Estado da ferramenta	Estado do indicador LED/sinal sonoro		Ação a tomar
		Indicador LED	Sinal sonoro	
Paragem automática com conclusão de aperto	O binário de aperto predefinido foi atingido e a ferramenta parou.	Acende a verde durante aproximadamente um segundo.	-	-
Alarme contra aperto insuficiente	O binário de aperto predefinido não foi atingido porque o gatilho do interruptor soltou o aperto antes de estar concluído.	Acende a vermelho.	Um sinal sonoro prolongado	Aperte novamente o parafuso.
Alarme para fraca capacidade da bateria	A potência da bateria ficou fraca e está na hora de substituir a bateria.	Pisca lentamente a vermelho.	Uma série de sinais sonoro prolongados	Substitua a bateria por uma bateria totalmente carregada.
Paragem automática com pouca capacidade restante da bateria	A potência da bateria está quase gasta e a ferramenta parou.	Acende a vermelho.	Um sinal sonoro prolongado	Substitua a bateria por uma bateria totalmente carregada.
Verificação da operação do indicador LED, luz e sinal sonoro	Quando a bateria estiver instalada, a ferramenta verifica o respetivo indicador LED, a luz e o sinal sonoro.	Acende primeiro a verde, depois a vermelho. (E depois a luz acende.)	Uma série de sinais sonoro muito breves	-
Anti-reposição do controlador	A tensão da bateria caiu anormalmente por algum motivo e a ferramenta parou.	Pisca alternadamente a vermelho e a verde.	Uma série de sinais sonoro breves	Substitua a bateria por uma bateria totalmente carregada.
Proteção contra sobreaquecimento	O controlador da ferramenta aqueceu anormalmente e a ferramenta parou.	Pisca rapidamente a vermelho.	Uma série de sinais sonoro breves	Remova a bateria imediatamente e arrefeça a ferramenta.
Deteção da operação do gatilho do interruptor quando instala a bateria	Quando a bateria é instalada com o gatilho do interruptor premido, a ferramenta para para evitar o arranque involuntário.	Pisca alternadamente a vermelho e a verde.	Uma série de sinais sonoro breves	Solte o gatilho do interruptor.
Deteção de falha do motor	Foi detetada uma falha do motor. Nesta altura, a ferramenta não funciona.	Pisca alternadamente a vermelho e a verde.	Uma série de sinais sonoro breves	Solicite a reparação pelo Centro de Assistência da Makita.
Deteção de golpe duplo	Quando o operador começa a reapertar um parafuso já apertado, a ferramenta deteta-o e para.	Acende a vermelho.	Um sinal sonoro prolongado	-
Alarme de manutenção	Ocorreu um tempo de manutenção de acordo com o seu número predefinido de parafusos aparafusados.	Pisca a amarelo.	-	Reponha o alarme com o software da aplicação.
Alarme para comunicação de dados indisponível (com a ferramenta ligada ao PC)	Não é possível trocar dados entre a ferramenta e o PC apesar da ligação.	Pisca a amarelo.	-	Reinicie o software da aplicação e ligue novamente o cabo USB.
Indicação de que a comunicação de dados está disponível (com a ferramenta ligada ao PC)	A ferramenta está ligada ao PC e a comunicação de dados está disponível.	Pisca a verde.	-	-



## Ajustar o binário de aperto

Quando pretender aparafusar parafusos de montagem, pernos hexagonais, etc. com o binário predefinido, ajuste o binário de aperto do seguinte modo.

1. Instale a bateria.
2. Abra a placa de substituição manualmente, de modo a poder ver um orifício.  
► **Fig.7:** 1. Placa de substituição
3. Puxe o gatilho do interruptor e solte-o, de modo a que o anel de ajuste rode e o orifício fique visível. E depois remove a bateria.
4. Utilize um punho de ajuste opcional para ajustar o binário de aperto. Insira o pino do punho de ajuste no orifício na parte frontal da ferramenta. De seguida, rode o punho de ajuste para a direita para definir um binário de aperto maior e para a esquerda para definir um binário de aperto menor. Utilize a linha amarela como guia pouco seguro.  
► **Fig.8:** 1. Punho de ajuste 2. Orifício para o punho de ajuste 3. Linha amarela
5. Insira a bateria e certifique-se de que foi definido um binário de aperto, utilizando um aparelho de teste do binário de aperto.
6. Feche bem a placa de substituição manualmente.

## Ajustar a velocidade sem carga e o ângulo de rotação, etc.

Pode ajustar a velocidade sem carga, o número de voltas, etc. da ferramenta com o seu computador. Instale o software da aplicação no seu computador e ligue-o à ferramenta com um cabo USB.

- **Fig.9:** 1. Cabo USB 2. Tampa USB 3. Entrada USB

**OBSERVAÇÃO:** Certifique-se de que a tampa USB está fechada quando realiza o aperto.

**NOTA:** Para o software da aplicação, contacte o representante de vendas da Makita.

## MONTAGEM

**⚠PRECAUÇÃO:** Certifique-se sempre de que a ferramenta está desligada e a bateria retirada antes de executar qualquer trabalho na ferramenta.

## Selecionar o soquete correto

Existem diferentes tipos de soquetes para alguns modelos, dependendo das aplicações. Escolha e instale um soquete correto para a sua aplicação.

## Instalar ou remover o soquete

- **Fig.10:** 1. Soquete 2. Orifício 3. Pino

Para instalar o soquete, empurre-o para a cabeça quadrada de acionamento da ferramenta com uma mão ao soltar um pino na cabeça quadrada de acionamento com a outra mão até bloquear na posição correta. Para remover o soquete, puxe-o simplesmente para fora, soltando o pino na cabeça quadrada de acionamento.

**⚠PRECAUÇÃO:** Antes do funcionamento, certifique-se de que o soquete está devidamente bloqueado na cabeça quadrada de acionamento. A fixação incompleta do soquete poderá causar ferimentos.

## Instalar ou retirar a broca de aparafusar/broca de contacto

### Específico do país

- **Fig.11**

Utilize só brocas de aparafusar/brocas de contacto que tenham a parte de inserção como mostrado na figura. Não utilize outras brocas de aparafusar/brocas de contacto.

### Para ferramenta com furo de broca de aparafusar raso

A=12 mm B=9 mm	Utilize só estes tipos de brocas de aparafusar. Execute o procedimento 1. (Nota) Não necessita de extensão da broca.
-------------------	--

### Para ferramenta com furo de broca de aparafusar fundo

A=17 mm B=14 mm	Para instalar estes tipos de broca de aparafusar, execute o procedimento 1.
A=12 mm B=9 mm	Para instalar estes tipos de broca de aparafusar, execute o procedimento 2. (Nota) Necessita de extensão da broca para instalar a broca.

- **Fig.12:** 1. Broca de aparafusar 2. Manga

Para instalar a broca de aparafusar, puxe a manga na direção da seta e coloque a broca de aparafusar dentro da manga, o mais fundo possível.

Em seguida, solte a manga para prender a broca de aparafusar.

Para remover a broca de aparafusar, puxe a manga na direção da seta e puxe a broca de aparafusar para fora.

**NOTA:** Se a broca de aparafusar não estiver colocada suficientemente funda na manga, a manga não voltará para a sua posição original e a broca de aparafusar não ficará presa. Neste caso, volte a colocar a broca de acordo com as instruções acima.

**NOTA:** Quando for difícil inserir a broca de aparafusar, puxe a manga e insira a broca dentro da manga o mais fundo possível.

**NOTA:** Depois de colocar a broca de aparafusar, certifique-se de que está presa firmemente. Se sair, não a utilize.



## Instalar o gancho

### Acessório opcional

O gancho é útil para pendurar a ferramenta. Instale o gancho nos orifícios no corpo da ferramenta.

► **Fig.13:** 1. Gancho 2. Orifício

## OPERAÇÃO

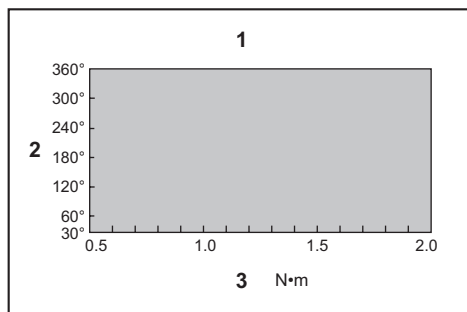
Segure a ferramenta firmemente e coloque o soquete sobre o perno ou a porca. De seguida, ligue a ferramenta. Quando a embraiagem entrar, o motor para automaticamente. De seguida, solte o gatilho do interruptor.

**NOTA:** Segure a ferramenta com a respetiva cabeça quadrada de acionamento apontada diretamente para o perno ou a porca, caso contrário, o perno ou a porca sofrerão danos.

## Limites da capacidade de aperto

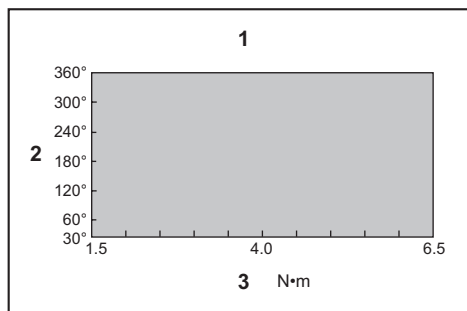
Utilize a ferramenta dentro dos limites da capacidade de aperto. Se utilizar a ferramenta para além dos limites, a embraiagem não funciona. E a ferramenta não aplica um binário de aperto suficiente.

### Para o modelo DFL020F



1. Intervalo da capacidade de aperto 2. Ângulo da rotação 3. Binário

### Para o modelo DFL063F



1. Intervalo da capacidade de aperto 2. Ângulo da rotação 3. Binário

**NOTA:** O ângulo de rotação é o ângulo desde o ponto em que o perno é apertado em 50% do binário pretendido até ao ponto em que o perno é apertado em 100% do binário.

**NOTA:** A utilização de uma bateria fria poderá emitir um aviso de capacidade da bateria através do indicador LED e do sinal sonoro e parar imediatamente a ferramenta, mesmo se esta estiver totalmente carregada. Neste caso, a capacidade de aperto poderá ser inferior à especificação no presente manual.

## MANUTENÇÃO

**PRECAUÇÃO:** Certifique-se sempre de que a ferramenta se encontra desligada e de que a bateria foi retirada antes de executar qualquer inspeção ou manutenção.

**OBSERVAÇÃO:** Nunca utilize gasolina, benzina, diluente, álcool ou produtos semelhantes. Pode ocorrer a descoloração, deformação ou rachaduras.

Para manter a SEGURANÇA e a FIABILIDADE do produto, as reparações e qualquer outra manutenção ou ajuste devem ser levados a cabo pelos centros de assistência Makita autorizados ou pelos centros de assistência de fábrica, utilizando sempre peças de substituição Makita.

## ACESSÓRIOS OPCIONAIS

**PRECAUÇÃO:** Estes acessórios ou peças são recomendados para utilização com a ferramenta Makita especificada neste manual. A utilização de outros acessórios ou peças pode ser perigosa para as pessoas. Utilize apenas acessórios ou peças para os fins indicados.

Se necessitar de informações adicionais relativas a estes acessórios, solicite-as ao seu centro de assistência Makita.

- Bateria e carregador genuínos da Makita
- Protetor (amarelo, azul, vermelho, claro, verde)
- Punho de ajuste
- Eixo completo
- Gancho

**NOTA:** Alguns itens da lista podem estar incluídos na embalagem da ferramenta como acessórios padrão. Eles podem variar de país para país.

## SPECIFIKATIONER

Model:		DFL020F	DFL063F
Drejningsmoment	Hård samling	0,5 - 2 N•m	1,5 - 6,5 N•m
	Blød samling	0,5 - 2 N•m	1,5 - 6,5 N•m
Firkantet drev		9,5 mm	
Drevskaft Landespecifikt		6,35 mm sekskantet	
Hastighed uden belastning (omdrejninger pr. minut) <sup>††</sup>		100 - 1.300 min <sup>-1</sup>	180 - 1.300 min <sup>-1</sup>
Mærkespænding		DC 18 V	
Samlet længde (Afhængigt af batteriet)	med BL1815N	380 mm	
	med BL1860B	397 mm	
Nettovægt		1,3 - 1,6 kg	1,3 - 1,7 kg

- På grund af vores kontinuerlige forsknings- og udviklingsprogrammer kan hosstående specifikationer blive ændret uden varsel.
- Specifikationer kan variere fra land til land.
- Vægten kan være anderledes afhængigt af tilbehøret, inklusive akkuen. Den letteste og tungeste kombination i henhold til EPTA-procedure 01/2014 er vist i tabellen.
- <sup>††</sup> Hastighed uden belastning kan justeres med det enkelte program.

## Anvendelig akku og oplader

Akku	BL1815N / BL1820 / BL1820B / BL1830 / BL1830B / BL1840 / BL1840B / BL1850 / BL1850B / BL1860B
Oplader	DC18RC / DC18RD / DC18RE / DC18SD / DC18SE / DC18SF / DC18SH

- Nogle af de akkuer og opladere, der er angivet ovenfor, er muligvis ikke tilgængelige, afhængigt af hvilket område du bor i.

**⚠ ADVARSEL: Brug kun de akkuer og opladere, der er angivet ovenfor.** Brug af andre akkuer og opladere kan medføre personskaade og/eller brand.

## Tilsigtet anvendelse

Maskinen er beregnet til at skrue skruer i træ, metal og plastik.

## Støj

Det typiske A-vægtede støjniveau bestemt i overensstemmelse med EN62841-2-2:

### Model DFL020F

Lydtryksniveau ( $L_{pA}$ ): 70 dB (A) eller derunder  
Usikkerhed (K): 3 dB (A)

### Model DFL063F

Lydtryksniveau ( $L_{pA}$ ): 70 dB (A) eller derunder  
Usikkerhed (K): 3 dB (A)

Støjniveauet under arbejdet kan overskride 80 dB (A).

**BEMÆRK:** De(n) angivne støjemissionsværdi(er) er målt i overensstemmelse med en standardtestmetode og kan anvendes til at sammenligne en maskine med en anden.

**BEMÆRK:** De(n) angivne støjemissionsværdi(er) kan også anvendes i en præliminær eksponeringsvurdering.

**⚠ ADVARSEL: Bær høreværn.**

**⚠ ADVARSEL: Støjemissionen under den faktiske anvendelse af maskinen kan være forskellig fra de(n) angivne værdi(er), afhængigt af den måde hvorpå maskinen anvendes, især den type arbejdsømne der behandles.**

**⚠ ADVARSEL: Sørg for at identificere de sikkerhedsforskrifter til beskyttelse af operatøren, som er baseret på en vurdering af eksponering under de faktiske brugsforhold (med hensyntagen til alle dele i brugscyklussen, f.eks. de gange, hvor maskinen er slukket, og når den kører i tomgang i tilgift til afbrydertiden).**

## Vibration

Vibrationens totalværdi (tre-aksial vektorsum) bestemt i overensstemmelse med EN62841-2-2:

### Model DFL020F

Arbejdstilstand: skruning uden slag  
Vibrationsemission ( $a_{h1}$ ): 2,5 m/s<sup>2</sup> eller mindre  
Usikkerhed (K): 1,5 m/s<sup>2</sup>

### Model DFL063F

Arbejdstilstand: skruning uden slag  
Vibrationsemission ( $a_{h1}$ ): 2,5 m/s<sup>2</sup> eller mindre  
Usikkerhed (K): 1,5 m/s<sup>2</sup>

**BEMÆRK:** De(n) angivne totalværdi(er) for vibration er målt i overensstemmelse med en standardtestmetode og kan anvendes til at sammenligne en maskine med en anden.

**BEMÆRK:** De(n) angivne totalværdi(er) for vibration kan også anvendes i en præliminær eksponeringsvurdering.

**⚠ ADVARSEL:** Vibrationsemissionen under den faktiske anvendelse af maskinen kan være forskellig fra de(n) angivne værdi(er), afhængigt af den måde hvorpå maskinen anvendes, især den type arbejdsopgaver der behandles.

**⚠ ADVARSEL:** Sørg for at identificere de sikkerhedsforskrifter til beskyttelse af operatøren, som er baseret på en vurdering af eksponering under de faktiske brugsforhold (med hensyntagen til alle dele i brugscyklussen, f.eks. de gange, hvor maskinen er slukket, og når den kører i tomgang i tilgift til afbrydertiden).

## EF-overensstemmelseserklæring

### Kun for lande i Europa

EF-overensstemmelseserklæringen er inkluderet som Bilag A i denne brugsanvisning.

## SIKKERHEDSADVARSLER

### Almindelige sikkerhedsregler for el-værktøj

**⚠ ADVARSEL:** Læs alle de sikkerhedsadvarsler, instruktioner, illustrationer og specifikationer, der følger med denne maskine. Forsømmelse af at overholde alle nedenstående instruktioner kan medføre elektrisk stød, brand og/eller alvorlig personskade.

## Gem alle advarsler og instruktioner til fremtidig reference.

Ordet "el-værktøj" i advarslerne henviser til det netforsynede (netledning) el-værktøj eller batteriforsynede (akku) el-værktøj.

### Sikkerhedsadvarsler for akku skruetrækker

1. Hold maskinen i de isolerede gribeblader, når der udføres et arbejde, hvor fastgørelsesmidlet kan komme i kontakt med skjulte ledninger. Fastgørelsesmidler, der kommer i kontakt med en strømførende ledning, kan bewirke, at udsatte metaldele på maskinen bliver strømførende, hvorved operatøren kan få elektrisk stød.
2. Sørg altid for, at du har et godt fodfæste. Sørg for, at der ikke befinder sig nogen under dig, når maskinen anvendes på højtliggende steder.
3. Hold godt fast i maskinen.
4. Hold hænderne på afstand af roterende dele.
5. Rør ikke ved bittene eller arbejdsemnet umiddelbart efter anvendelse. De kan begge være meget varme og forårsage forbrænding af huden.
6. Fastgør altid arbejdsemnet i en skruestik eller lignende udstyr til fastgørelse.

**⚠ ADVARSEL:** LAD IKKE bekvemmelighed eller kendskab til produktet (opnået gennem gentagen brug) forhindre, at sikkerhedsforskrifterne for produktet nøje overholdes.

**MISBRUG** eller forsømmelse af at følge de i denne brugsvejledning givne sikkerhedsforskrifter kan føre til, at De kommer alvorligt til skade.

## Vigtige sikkerhedsinstruktioner for akkuen

1. Læs alle instruktioner og advarselsmærkater på (1) akku-opladeren, (2) akkuen og (3) produktet, som anvender akku.
2. Lad være med at skille akkuen ad.
3. Hold straks op med anvendelsen, hvis brugstiden er blevet stærkt afkortet. Fortsat anvendelse kan resultere i risiko for overophedning, forbrændinger og endog eksplosion.
4. Hvis De har fået elektrolytvæske i øjnene, skal De straks skylle den ud med rent vand og derefter øjeblikkeligt søge lægehjælp. I modsat fald kan De miste synet.
5. Vær påpasselig med ikke at komme til at kortslutte akkuen:
  - (1) Rør ikke ved terminalerne med noget ledende materiale.
  - (2) Undgå at opbevare akkuen i en beholder sammen med andre genstande af metal, for eksempel søm, mønter og lignende.
  - (3) Udsæt ikke akkuen for vand eller regn. Kortslutning af akkuen kan forårsage en kraftig øgning af strømmen, overophedning, mulige forbrændinger og endog værktøjstop.
6. Opbevar ikke værktøjet og akkuen på et sted, hvor temperaturen kan nå eller overstige 50 °C.
7. Lad være med at brænde akkuen, selv ikke i tilfælde, hvor den har lidt alvorlig skade eller er fuldstændig udtjent. Akkuen kan eksplodere, hvis man forsøger at brænde den.
8. Lad være med at brænde akkuen eller udsætte den for stød.
9. Anvend ikke en beskadiget akku.
10. De indbyggede litium-ion-batterier er underlagt lovkrav vedrørende farligt gods.

Ved kommerciel transport, f.eks. af tredjeparts transportselskaber, skal særlige krav til forpakning og mærkning overholdes.

Ved forberedelse af udstyret til forsendelse skal du kontakte en ekspert i farligt gods. Overhold også eventuel mere detaljeret national lovgivning. Tape eller tildæk åbne kontakter, og pak batteriet på en måde, så det ikke kan flytte sig rundt i pakningen.
11. Når akkuen bortskaftes, skal du fjerne den fra maskinen og bortskaft den på et sikkert sted. Følg de lokale love vedrørende bortskaftelsen af batterier.
12. Brug kun batterierne med de produkter, som Makita specificerer. Hvis batterierne installeres i ikke-kompatible produkter, kan det medføre brand, kraftig varme, eksplosion eller udsivning af elektrolyt.
13. Hvis maskinen ikke skal bruges i længere tid ad gangen, skal du fjerne batteriet fra maskinen.

**GEM DENNE BRUGSANVISNING.**

**GEM DENNE BRUGSANVISNING.**

**⚠️ FORSIGTIG:** Brug kun originale batterier fra Makita. Brug af uoriginale Makita-batterier, eller batterier som er blevet ændret, kan muligvis medføre brud på batteriet, hvilket kan forårsage brand, personskade eller beskadigelse. Det ugyldiggør også Makita-garantien for Makita-maskinen og opladeren.

## Tips til opnåelse af maksimal akku-levetid

1. Oplad akkuen, inden den er helt afladet. Stop altid værktøjet, og oplad akkuen, hvis De bemærker, at værktøjeffekten er aftagende.
2. Genoplad aldrig en fuldt opladet akku. Overopladning vil afkorte akkuens levetid.
3. Oplad akkuen ved stuetemperatur ved 10 °C - 40 °C. Lad altid en varm akku få tid til at køle af, inden den oplades.
4. Oplad akkuen, hvis De ikke skal bruge den i længere tid (mere end seks måneder).

## FUNKTIONSBESKRIVELSE

**⚠️ FORSIGTIG:** Sørg altid for at maskinen er slukket, og at akkuen er taget ud, før der udføres justering eller kontrol af funktioner på maskinen.

### Isætning eller fjernelse af akkuen

**⚠️ FORSIGTIG:** Sluk altid for værktøjet, før De monterer eller fjerner akkuen.

**⚠️ FORSIGTIG:** Hold værktøjet og akkuen fast ved montering eller fjernelse af akkuen. Hvis De ikke holder værktøjet og akkuen fast, kan de glide ud af hænderne på Dem og forårsage beskadigelse af værktøjet og akkuen eller personskade.

► Fig.1: 1. Rød indikator 2. Knap 3. Akku

Akkuen fjernes ved, at De trækker den ud af værktøjet, idet De skyder knappen på forsiden af akkuen i stilling.

Akkuen monteres ved, at De sætter tungen på akkuen ud for noten i kabinettet og lader den glide på plads. Sæt den hele vejen ind, så den låses på plads med et lille klik. Hvis den røde indikator på oversiden af knappen er synlig, betyder det, at den ikke er tilstrækkeligt låst.

**⚠️ FORSIGTIG:** Monter altid akkuen helt, indtil den røde indikator ikke længere er synlig. Hvis dette ikke gøres, kan den falde ud af værktøjet ved et uheld, hvorved De selv eller personer i nærheden kan komme til skade.

**⚠️ FORSIGTIG:** Brug ikke magt ved montering af akkuen. Hvis akkuen ikke glider på plads uden problemer, betyder det, at den ikke sættes i på korrekt vis.

## Indikation af den resterende batteriladning

**Kun til akkuer med indikatoren**

► Fig.2: 1. Indikatorlamper 2. Kontrolknop

Tryk på kontrolknappen på akkuen for at få vist den resterende batteriladning. Indikatorlampen lyser i nogle sekunder.

Indikatorlamper			Resterende ladning
Tændt	Slukket	Blinker	
■ ■ ■ ■			75% til 100%
■ ■ ■ □			50% til 75%
■ ■ □ □			25% til 50%
■ □ □ □			0% til 25%
▣ □ □ □			Genoplad batteriet.
■ ■ □ □			Der er muligvis fejl i batteriet.
□ □ ■ ■			

**BEMÆRK:** Afhængigt af brugsforholdene og den omgivende temperatur kan indikationen afvige en smule fra den faktiske ladning.

## Beskyttelsessystem til værktøj/batteri

Maskinen er udstyret med et beskyttelsessystem til maskinen/batteriet. Dette system afbryder automatisk strømmen til motoren for at forlænge maskinens og batteriets levetid. Maskinen stopper automatisk under brugen, hvis maskinen eller batteriet udsættes for et af følgende forhold:

### Overbelastningsbeskyttelse

Hvis maskinen/batteriet bruges på en måde, der får den til at trække en unormalt høj strøm, stopper maskinen automatisk. I denne situation skal du slukke for maskinen og stoppe den anvendelse, som bevirkede, at maskinen blev overbelastet. Tænd derefter for maskinen for at starte den igen.

### Beskyttelse mod overophedning

Hvis maskinen/batteriet er overophedet, stopper maskinen automatisk. Lad i så fald maskinen/batteriet køle ned, før der tændes for maskinen igen.

### Beskyttelse mod overafledning

Når batteriladningen er utilstrækkelig, stopper maskinen automatisk. Tag i så fald akkuen ud af maskinen, og oplad akkuen.

## Afbryderbetjening

**⚠ ADVARSEL:** Inden akkuen sættes i maskinen, bør De altid kontrollere, at afbryderknappen fungerer korrekt, og returnerer til "OFF"-positionen, når den slippes.

For at starte maskinen skal du blot trykke på afbryderknappen. Slip afbryderknappen for at stoppe.

► Fig.3: 1. Afbryderknop

**BEMÆRK:** Maskinen fungerer ikke i cirka et sekund efter fastgøring, selv om der trykkes på afbryderen.

## Omløbsvælgerbetjening

► Fig.4: 1. Omløbsvælger

**⚠ FORSIGTIG:** Kontrollér altid omløbsretningen, inden arbejdet påbegyndes.

**⚠ FORSIGTIG:** Flyt kun omløbsvælgeren, når maskinen er helt standset. Hvis omløbsretningen ændres, inden maskinen er helt stoppet, kan det beskadige maskinen.

**⚠ FORSIGTIG:** Sæt altid omløbsvælgeren i neutral stilling, når maskinen ikke anvendes.

Denne maskinen har en omløbsvælger til at skifte omløbsretning. Skub omløbsvælgeren ind fra A-siden for omdrejning med uret, og fra B-siden for omdrejning mod uret.

Når omløbsvælgeren er i neutral stilling, kan afbryderknappen ikke trykkes ind.

## Tænding af lampen foran

► Fig.5: 1. Lampe

**⚠ FORSIGTIG:** Kig aldrig direkte på lyskilden. Lad ikke lyset falde i Deres øjne.

Tryk afbryderknappen ind for at tænde for lampen. Lampen fortsætter med at lyse, så længe afbryderknappen trykkes ind. Lampen slukker omkring 10 sekunder efter at afbryderknappen er udløst.

**BEMÆRK:** Brug en tør klud til at tørre snavset af lampens linse. Pas på ikke at røre lampens linse, da dette muligvis kan dæmpe belysningen.

## LED-indikator/bipper

► Fig.6: 1. LED-indikator

LED-indikatoren/bipperen på maskinen viser følgende funktioner.

Funktion	Maskinens status	Status for LED-indikatoren/bipperen		Handling, der skal udføres
		LED-indikator	Bipper	
Automatisk stop, når fastgøring er færdig	Det forudindstillede drejningsmoment er nået, og maskinen er stoppet.	Lyser grønt i cirka et sekund.	-	-
Alarm for utilstrækkelig fastgøring	Det forudindstillede drejningsmoment er ikke nået, fordi afbryderknappen blev sluppet, før fastgøringen var fuldført.	Lyser rødt.	Et langt bip	Stram skruen igen.
Alarm for lav batterikapacitet	Batteriladningen blev lav, og det er tid til at udskifte akkuen.	Blinker langsomt rødt.	En serie af lange bip	Udskift batteriet med et, der er fuldt opladet.
Automatisk stop ved lav resterende batterikapacitet	Batteriladningen er næsten brugt op, og maskinen er stoppet.	Lyser rødt.	Et langt bip	Udskift batteriet med et, der er fuldt opladet.
Kontrol af LED-indikatorens, lysets og bipperens funktion	Når akkuen er installeret, kontrollerer maskinen sin LED-indikator, lyset og bipperen.	Lyser først grønt og derefter rødt. (Og derefter tændes lyset.)	En serie af meget korte bip	-
Anti-nulstilling af kontrolenhed	Batterispændingen faldt unormalt af en eller anden grund, og maskinen stoppede.	Blinker skiftevis rødt og grønt.	En serie af korte bip	Udskift batteriet med et, der er fuldt opladet.
Overophedningsbeskyttelse	Værktøjets kontrolenhed blev unormalt varm, og maskinen stoppede.	Blinker hurtigt rødt.	En serie af korte bip	Tag akkuen ud med det samme, og lad maskinen køle af.
Registrering af betjening af afbryderknappen under montering af batteri	Når akkuen installeres, mens der trykkes på afbryderknappen, stopper maskinen for at undgå utilsigtet start.	Blinker skiftevis rødt og grønt.	En serie af korte bip	Slip afbryderknappen.

Funktion	Maskinens status	Status for LED-indikatoren/bipperen		Handling, der skal udføres
		LED-indikator	Bipper	
Registrering af motorfejl	Der er registreret en motorfejl. På dette tidspunkt fungerer maskinen ikke.	Blinker skiftevis rødt og grønt.	En serie af korte bip	Kontakt det lokale Makita servicecenter for reparation.
Registrering af dobbelt tilspænding	Når operatøren begynder at tilspænde en skrue igen, som allerede er tilspændt, registrerer maskinen dette og stopper.	Lyser rødt.	Et langt bip	-
Vedligeholdelsesalarm	En vedligeholdelsestid er indtruffet i overensstemmelse med det forudindstillede antal idrevne skrue.	Blinker gult.	-	Nulstil alarmer ved hjælp af softwareprogrammet.
Alarm for utilgængelig datakommunikation (når maskinen er tilsluttet en pc)	Der kan ikke udveksles data mellem maskinen og pc'en på trods af forbindelsen.	Blinker gult.	-	Genstart softwareprogrammet, og tilslut USB-kablet igen.
Indikation af, at datakommunikation er tilgængelig (når maskinen er tilsluttet en pc)	Maskinen er tilsluttet pc, og datakommunikation er tilgængelig.	Blinker grønt.	-	-

## Justering af drejningsmomentet

Hvis du vil skrue maskinskrue, sekskantbolte osv. med et foruddefineret moment, skal du justere drejningsmomentet på følgende måde.

1. Indsæt akkuen.
2. Åbn skiftepladen i hånden, så du kan se et hul.  
► **Fig.7:** 1. Skifteplade
3. Tryk på afbryderknappen, og slip den, så justeringsringen drejer, og hullet bliver synligt. Fjern derefter akkuen.

4. Brug et justeringsgreb, der fås som tilbehør, til at justere drejningsmomentet. Sæt pinden på justeringsgrebet ind i hullet foran på maskinen. Drej derefter justeringsgrebet i retningen med uret for at indstille et større drejningsmoment, og i retningen mod uret for at indstille et mindre drejningsmoment. Brug den gule linje som en omtrentlig retningslinje.

► **Fig.8:** 1. Justeringsgreb 2. Hul til justeringsgreb 3. Gul linje

5. Indsæt akkuen, og sørg for, at der er indstillet et drejningsmoment ved hjælp af et testværktøj til drejningsmoment.
6. Luk skiftepladen forsvarligt i hånden.

## Justering af hastighed uden belastning og omdrejningsvinkel osv.

Du kan justere maskinens hastighed uden belastning, antal omdrejninger osv. vha. din computer. Installer softwareprogrammet på computeren, og slut den til maskinen vha. et USB-kabel.

► **Fig.9:** 1. USB-kabel 2. USB-dæksel 3. USB-stik

**BEMÆRKNING:** Sørg for, at USB-dækslet er lukket under tilspænding.

**BEMÆRK:** Kontakt en salgsrepræsentant fra Makita vedrørende softwareprogrammet.

## SAMLING

**⚠FORSIGTIG:** Sørg altid for at maskinen er slukket, og at akkuen er taget ud, før der udføres noget arbejde på maskinen.

### Valg af den rigtige muffe

Der findes forskellige typer af muffe til nogle modeller, afhængigt af anvendelsesformålet. Vælg og monter den rigtige muffe til formålet.

### Montering eller fjernelse af muffen

► **Fig.10:** 1. Muffe 2. Hul 3. Stift

For at montere muffen skubbes den ned over det firkantede drev på maskinen med den ene hånd ved at trykke på en stift på det firkantede drev med den anden hånd, indtil den låses på plads. For at fjerne muffen skal du blot trække den af, idet stiften på det firkantede drev trykkes ind.

**⚠FORSIGTIG:** Før brugen skal du kontrollere, at muffen er korrekt låst fast på det firkantede drev. Forkert montering af muffen kan medføre personskade.

### Montering og afmontering af skruebit/top

#### Landespecifikt

► **Fig.11**

Anvend kun en skruebit/top med en isætningsdel som den, der vises på illustrationen. Brug ikke nogen anden skruebit/top.

## Til maskine med lavt skruebithul

A=12 mm B=9 mm	Anvend kun disse typer skruebits. Følg fremgangsmåden 1. (Bemærk) Bitstykke er ikke nødvendig.
-------------------	--

## Til maskine med dybt skruebithul

A=17 mm B=14 mm	Følg fremgangsmåden 1, når disse typer skruebits monteres.
A=12 mm B=9 mm	Følg fremgangsmåden 2, når disse typer skruebits monteres. (Bemærk) Bitstykke er nødvendig ved montering af bitten.

### ► Fig.12: 1. Skruebit 2. Muffe

For at montere skruebitten, trækkes muffen i pilens retning, og skruebitten sættes så langt ind i muffen, som den kan komme.

Frigør derefter muffen for at fastgøre skruebitten.

For at fjerne skruebitten, skal man trække muffen i pilens retning og trække skruebitten ud.

**BEMÆRK:** Hvis skruebitten ikke sættes langt nok ind i muffen, vil muffen ikke vende tilbage til dens oprindelige position, og skruebitten vil ikke blive holdt ordentlig fast. I så tilfælde kan De prøve at isætte bitten igen som beskrevet i instruktionerne ovenfor.

**BEMÆRK:** Hvis det er vanskeligt at indsætte skruebitten, skal De trække i muffen og sætte den så langt ind i muffen, som den kan komme.

**BEMÆRK:** Kontroller, at skruebitten sidder godt fast, når den er sat ind. Den må ikke bruges, hvis den kommer ud.

## Monteringskrog

### Ekstraudstyr

Krogen er nyttig til ophængning af maskinen. Monter krogen i hullerne på maskinens kabinet.

► Fig.13: 1. Krog 2. Hul

## ANVENDELSE

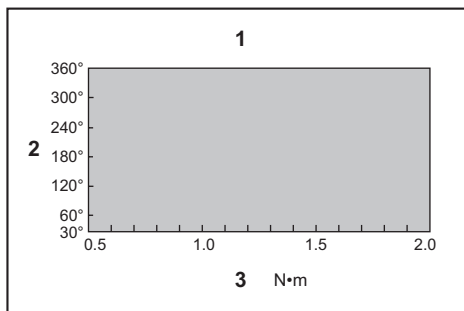
Hold godt fast i maskinen, og placer muffen over boltene eller møtrikken. Tænd derefter for maskinen. Når koblingen griber ind, stopper motoren automatisk. Slip derefter afbryderknappen.

**BEMÆRK:** Hold maskinen med det firkantede drev rettet lige mod boltene eller møtrikken, da boltene eller møtrikken ellers vil blive beskadiget.

## Grænser for drejningskapacitet

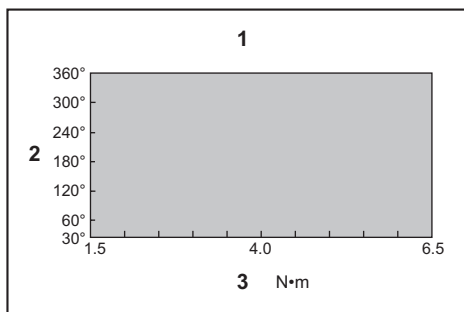
Brug maskinen inden for grænserne for drejningskapacitet. Hvis du bruger maskinen uden for grænserne, fungerer koblingen ikke. Og maskinen kan ikke levere tilstrækkeligt drejningsmoment.

## For model DFL020F



1. Interval for drejningskapacitet 2. Rotationsvinkel  
3. Moment

## For model DFL063F



1. Interval for drejningskapacitet 2. Rotationsvinkel  
3. Moment

**BEMÆRK:** Rotationsvinklen er vinklen fra det punkt, hvor boltene er tilspændt til 50 % af det ønskede moment, til det punkt, hvor boltene er tilspændt til 100 % moment.

**BEMÆRK:** Brug af en kold akku kan medføre en advarsel om batterikapacitet ved LED-indikator og bipper og stoppe maskinen med det samme, også selv om den er fuldt opladet. I så fald er drejningskapaciteten muligvis mindre end specifikationen i denne brugsanvisning.

## VEDLIGEHOLDELSE

**⚠FORSIGTIG:** Vær altid sikker på, at værktøjet er slukket, og at akkuen er taget ud, inden De begynder at udføre inspektion eller vedligeholdelse.

**BEMÆRKNING:** Anvend aldrig benzin, rensebenzin, fortynder, alkohol og lignende. Det kan medføre misfarvning, deformation eller revner.

For at opretholde produktets SIKKERHED og PALIDELIGHED må reparation, vedligeholdelse eller justering kun udføres af et autoriseret Makita servicecenter eller fabrikkens servicecenter med anvendelse af Makita reservedele.

# EKSTRAUDSTYR

**⚠️ FORSIGTIG:** Det følgende tilbehør og ekstraudstyr er anbefalet til brug med Deres Makita maskine, der er beskrevet i denne brugsanvisning. Anvendelse af andet tilbehør eller ekstraudstyr kan udgøre en risiko for personskade. Anvend kun tilbehør og ekstraudstyr til det beskrevne formål.

Hvis De behøver hjælp ved valg af tilbehør eller ønsker yderligere informationer, bedes De kontakte Deres lokale Makita servicecenter.

- Original Makita-akku og oplader
- Beskytter (gul, blå, rød, klar, grøn)
- Justeringsgreb
- Spindelsamling
- Krog

**BEMÆRK:** Nogle ting på denne liste kan være inkluderet i værktøjspakken som standardtilbehør. Det kan være forskellige fra land til land.



## ΠΡΟΔΙΑΓΡΑΦΕΣ

Μοντέλο:		DFL020F	DFL063F
Ροπή στερέωσης	Σκληρός σύνδεσμος	0,5 - 2 N•m	1,5 - 6,5 N•m
	Μαλακός σύνδεσμος	0,5 - 2 N•m	1,5 - 6,5 N•m
Τετράγωνος οδηγός		9,5 mm	
Στέλεχος οδήγησης Ειδικό της χώρας		6,35 mm Εξαγωνικό	
Ταχύτητα χωρίς φορτίο (ΣΑΛ) <sup>-1</sup>		100 - 1.300 min <sup>-1</sup>	180 - 1.300 min <sup>-1</sup>
Ονομαστική τάση		D.C. 18 V	
Συνολικό μήκος (Ανάλογα με την μπαταρία)	με το BL1815N	380 mm	
	με το BL1860B	397 mm	
Καθαρό βάρος		1,3 - 1,6 kg	1,3 - 1,7 kg

- Λόγω του συνεχιζόμενου προγράμματος έρευνας και ανάπτυξης, οι προδιαγραφές αυτές υπόκεινται σε αλλαγές χωρίς προειδοποίηση.
- Τα τεχνικά χαρακτηριστικά μπορεί να διαφέρουν από χώρα σε χώρα.
- Το βάρος μπορεί να διαφέρει ανάλογα με τα προσαρτήματα, συμπεριλαμβανοντας την κασέτα μπαταριών. Ο ελαφρύτερος και ο βαρύτερος συνδυασμός, σύμφωνα με τη διαδικασία ΕΡΤΑ 01/2014, παρουσιάζονται στον πίνακα.
- <sup>-1</sup> Η ταχύτητα χωρίς φορτίο προσαρμόζεται με μια αποκλειστική εφαρμογή.

## Ισχύουσα κασέτα μπαταριών και φορτιστής

Κασέτα μπαταρίας	BL1815N / BL1820 / BL1820B / BL1830 / BL1830B / BL1840 / BL1840B / BL1850 / BL1850B / BL1860B
Φορτιστής	DC18RC / DC18RD / DC18RE / DC18SD / DC18SE / DC18SF / DC18SH

- Ορισμένες από τις κασέτες και τους φορτιστές μπαταριών που αναγράφονται παραπάνω ίσως να μην είναι διαθέσιμοι, ανάλογα με την τοποθεσία κατοικίας σας.

**▲ ΠΡΟΕΙΔΟΠΟΙΗΣΗ:** Να χρησιμοποιείτε μόνο τις κασέτες μπαταριών και τους φορτιστές που παρατίθενται ανωτέρω. Η χρήση οποιασδήποτε άλλης κασέτας μπαταριών ή φορτιστή μπορεί να προκαλέσει τραυματισμό ή/και πυρκαγιά.

### Προοριζόμενη χρήση

Το εργαλείο προορίζεται για βίδωμα σε ξύλο, μέταλλο και πλαστικό.

### Θορύβος

Το τυπικό Α επίπεδο καταμετρημένου θορύβου καθορίζεται σύμφωνα με το EN62841-2-2:

#### Μοντέλο DFL020F

Στάθμη ηχητικής πίεσης ( $L_{pA}$ ): 70 dB (A) ή λιγότερο  
Αβεβαιότητα (K): 3 dB (A)

#### Μοντέλο DFL063F

Στάθμη ηχητικής πίεσης ( $L_{pA}$ ): 70 dB (A) ή λιγότερο  
Αβεβαιότητα (K): 3 dB (A)

Η ένταση θορύβου από συνθήκες εργασίας μπορεί να υπερβεί τα 80 dB (A).

**ΠΑΡΑΤΗΡΗΣΗ:** Η δηλωμένη τιμή(ές) εκπομπής θορύβου έχει μετρηθεί σύμφωνα με την πρότυπη μέθοδο δοκιμής και μπορεί να χρησιμοποιηθεί για τη σύγκριση ενός εργαλείου με κάποιο άλλο.

**ΠΑΡΑΤΗΡΗΣΗ:** Η δηλωμένη τιμή(ές) εκπομπής θορύβου μπορεί να χρησιμοποιηθεί και στην προκαταρκτική αξιολόγηση της έκθεσης.

**▲ ΠΡΟΕΙΔΟΠΟΙΗΣΗ:** Να φοράτε γυαλιά.

**▲ ΠΡΟΕΙΔΟΠΟΙΗΣΗ:** Η εκπομπή θορύβου κατά τη χρήση του ηλεκτρικού εργαλείου σε πραγματικές συνθήκες μπορεί να διαφέρει από τη δηλωμένη τιμή(ές) ανάλογα με τους τρόπους χρήσης του εργαλείου, ιδιαίτερα το είδος του τεμαχίου εργασίας που υπόκειται επεξεργασία.

**▲ ΠΡΟΕΙΔΟΠΟΙΗΣΗ:** Φροντίστε να λάβετε τα κατάλληλα μέτρα προστασίας του χειριστή βάσει ενός υπολογισμού της έκθεσης σε πραγματικές συνθήκες χρήσης (λαμβάνοντας υπόψη όλες τις συνιστώσες του κύκλου λειτουργίας όπως τους χρόνους που το εργαλείο είναι εκτός λειτουργίας και όταν βρίσκεται σε αδρανή λειτουργία πέραν του χρόνου ενεργοποίησης).

### Κραδασμός

Η ολική τιμή δόνησης (άθροισμα τρι-αξονικού διανύσματος) καθορίζεται σύμφωνα με το EN62841-2-2:

#### Μοντέλο DFL020F

Είδος εργασίας: βίδωμα χωρίς κρούση  
Εκπομπή δόνησης ( $a_{h1}$ ): 2,5 m/s<sup>2</sup> ή λιγότερο  
Αβεβαιότητα (K): 1,5 m/s<sup>2</sup>

## Μοντέλο DFL063F

Είδος εργασίας: βίδωμα χωρίς κρούση  
Εκπομπή δόνησης ( $a_{h1}$ ): 2,5  $m/s^2$  ή λιγότερο  
Αβεβαιότητα (K): 1,5  $m/s^2$

**ΠΑΡΑΤΗΡΗΣΗ:** Η δηλωμένη τιμή(ές) συνολικών κραδασμών έχει μετρηθεί σύμφωνα με την πρότυπη μέθοδο δοκιμής και μπορεί να χρησιμοποιηθεί για τη σύγκριση ενός εργαλείου με κάποιο άλλο.

**ΠΑΡΑΤΗΡΗΣΗ:** Η δηλωμένη τιμή(ές) συνολικών κραδασμών μπορεί να χρησιμοποιηθεί και στην προκαταρκτική αξιολόγηση της έκθεσης.

**⚠️ ΠΡΟΕΙΔΟΠΟΙΗΣΗ:** Η εκπομπή κραδασμών κατά τη χρήση του ηλεκτρικού εργαλείου σε πραγματικές συνθήκες μπορεί να διαφέρει από τη δηλωμένη τιμή(ές) εκπομπής ανάλογα με τους τρόπους χρήσης του εργαλείου, ιδιαίτερα το είδος του τεμαχίου εργασίας που υπόκειται επεξεργασία.

**⚠️ ΠΡΟΕΙΔΟΠΟΙΗΣΗ:** Φροντίστε να λάβετε τα κατάλληλα μέτρα προστασίας του χειριστή βάσει ενός υπολογισμού της έκθεσης σε πραγματικές συνθήκες χρήσης (λαμβάνοντας υπόψη όλες τις συνιστώσες του κύκλου λειτουργίας όπως τους χρόνους που το εργαλείο είναι εκτός λειτουργίας και όταν βρίσκεται σε αδρανή λειτουργία πέραν του χρόνου ενεργοποίησης).

## Δήλωση συμμόρφωσης ΕΚ

Μόνο για χώρες της Ευρώπης

Η δήλωση συμμόρφωσης ΕΚ περιλαμβάνεται ως Παράρτημα Α στο παρόν εγχειρίδιο οδηγιών.

## ΠΡΟΕΙΔΟΠΟΙΗΣΕΙΣ ΑΣΦΑΛΕΙΑΣ

### Γενικές προειδοποιήσεις ασφαλείας για το ηλεκτρικό εργαλείο

**⚠️ ΠΡΟΕΙΔΟΠΟΙΗΣΗ:** Διαβάστε όλες τις προειδοποιήσεις ασφαλείας, οδηγίες, εικονογραφήσεις και προδιαγραφές που παρέχονται με αυτό το ηλεκτρικό εργαλείο. Η μη τήρηση όλων των οδηγιών που αναγράφονται κατωτέρω μπορεί να καταλήξει σε ηλεκτροπληξία, πυρκαγιά ή/και σοβαρό τραυματισμό.

### Φυλάξτε όλες τις προειδοποιήσεις και τις οδηγίες για μελλοντική παραπομπή.

Στις προειδοποιήσεις, ο όρος «ηλεκτρικό εργαλείο» αναφέρεται σε ηλεκτρικό εργαλείο που τροφοδοτείται από την κύρια παροχή ηλεκτρικού ρεύματος (με ηλεκτρικό καλώδιο) ή σε ηλεκτρικό εργαλείο που τροφοδοτείται από μπαταρία (χωρίς ηλεκτρικό καλώδιο).

## Προειδοποιήσεις ασφαλείας για το ασύρματο κατσαβίδι

1. Να κρατάτε το ηλεκτρικό εργαλείο από τις λαβές με μόνωση όταν εκτελείτε εργασίες κατά τις οποίες ο συνδετήρας μπορεί να έρθει σε επαφή με κρυμμένα καλώδια. Αν ο συνδετήρας έρθει σε επαφή με κάποιο ηλεκτροφόρο καλώδιο, μπορεί να εκτεθειμένα μεταλλικά μέρη του ηλεκτρικού εργαλείου να γίνουν κι αυτά ηλεκτροφόρα και να προκληθεί ηλεκτροπληξία στο χειριστή.
2. Να φροντίζετε πάντα να στέκεστε σταθερά. Βεβαιωθείτε ότι δεν υπάρχει άτομο ακριβώς από κάτω, όταν χρησιμοποιείτε το ηλεκτρικό εργαλείο σε υψηλά σημεία.
3. Να κρατάτε το εργαλείο σταθερά.
4. Να διατηρείτε τα χέρια σας μακριά από τα περιστεφόμενα μέρη.
5. Μην αγγίζετε τη μύτη ή το τεμάχιο εργασίας αμέσως μετά τη λειτουργία του εργαλείου. Μπορεί να είναι εξαιρετικά θερμά και να προκληθεί έγκαυμα στο δέρμα σας.
6. Να ασφαρίζετε πάντα τα τεμάχια εργασίας σε μέγνηνη ή παρόμοια διάταξη συγκράτησης.

## ΦΥΛΑΞΤΕ ΤΙΣ ΟΔΗΓΙΕΣ ΑΥΤΕΣ.

**⚠️ ΠΡΟΕΙΔΟΠΟΙΗΣΗ:** ΜΗΝ επιτρέψετε στην άνεση ή στην εξοικειωσή σας με το προϊόν (που αποκτήθηκε από επανειλημμένη χρήση) να αντικαταστήσει την αυστηρή τήρηση των κανόνων ασφαλείας του παρόντος εργαλείου.

Η ΛΑΝΘΑΣΜΕΝΗ ΧΡΗΣΗ ή η αμέλεια να ακολουθήσετε τους κανόνες ασφαλείας που διατυπώνονται στο παρόν εγχειρίδιο οδηγιών μπορεί να προκαλέσει σοβαρό προσωπικό τραυματισμό.

## Σημαντικές οδηγίες ασφαλείας για κασέτα μπαταριών

1. Πριν χρησιμοποιήσετε την κασέτα μπαταριών, διαβάστε όλες τις οδηγίες και σημειώσεις προφύλαξης (1) στον φορτιστή μπαταριών, (2) στην μπαταρία και (3) στο προϊόν που χρησιμοποιεί την μπαταρία.
2. Μην αποσυναρμολογήσετε την κασέτα μπαταριών.
3. Εάν ο χρόνος λειτουργίας έχει γίνει υπερβολικά βραχύς, σταματήστε τη λειτουργία αμέσως. Αλλιώς, μπορεί να έχει ως αποτέλεσμα κίνδυνο υπερθέρμανσης, πιθανά εγκαύματα ή ακόμη και έκρηξη.
4. Εάν ηλεκτρολύτης μπει στα μάτια σας, ξεπλύνετε τα με καθαρό νερό και ζητήστε ιατρική φροντίδα αμέσως. Αλλιώς, μπορεί να έχει ως αποτέλεσμα απώλεια της όρασης σας.
5. Μην βραχυκυκλώνετε την κασέτα μπαταριών:
  - (1) Μην αγγίζετε τους πόλους με οτιδήποτε αγώγιμο υλικό.
  - (2) Αποφεύγετε να αποθηκεύετε την κασέτα μπαταριών μέσα σε ένα δοχείο μαζί με άλλα μεταλλικά αντικείμενα όπως καρφιά, νομίσματα, κλπ.
  - (3) Μην εκθέτετε την κασέτα μπαταριών στο νερό ή στη βροχή.

Ένα βραχυκύκλωμα μπαταρίας μπορεί να προκαλέσει μεγάλη ροή ρεύματος, υπερθέρμανση, πιθανά εγκαύματα ακόμη και σοβαρή βλάβη.

- Μην αποθηκεύετε το εργαλείο και την κασέτα μπαταριών σε τοποθεσίες όπου η θερμοκρασία μπορεί να φτάσει ή να ξεπεράσει τους 50°C.
- Μην καίτε την κασέτα μπαταριών ακόμη και εάν έχει σοβαρή ζημιά ή είναι εντελώς φθαρμένη. Η κασέτα μπαταριών μπορεί να εκραγεί στη φωτιά.
- Προσέχετε να μη ρίξετε κάτω ούτε να χτυπήσετε την μπαταρία.
- Μη χρησιμοποιείτε μπαταρία που έχει υποστεί ζημιά.
- Οι μπαταρίες ιόντων λιθίου που περιέχονται υπόκεινται στις απαιτήσεις της νομοθεσίας για επικίνδυνα αγαθά.  
Για εμπορικές μεταφορές, για παράδειγμα από τρίτα μέρη, πρέπει να τηρούνται οι διαμεταφορές, οι ειδικές απαιτήσεις στη συσκευασία και η επισήμανση. Για προετοιμασία του στοιχείου που αποστέλλεται, είναι απαραίτητο να συμβουλευτείτε έναν ειδικό για επικίνδυνα υλικά. Επίσης, τηρήστε τους πιθανούς, πιο αναλυτικούς εθνικούς κανονισμούς. Καλύψτε με αυτοκόλλητη ταινία ή κρύψτε τις ανοικτές επαφές και συσκευάστε την μπαταρία με τρόπο που να μην μπορεί να μετακινείται μέσα στη συσκευασία.
- Όταν απορρίψετε την κασέτα μπαταριών, αφαιρέστε την από το εργαλείο και διαθέστε την σε ένα ασφαλές μέρος. Τηρήστε τους τοπικούς κανονισμούς που σχετίζονται με τη διάθεση της μπαταρίας.
- Χρησιμοποιήστε τις μπαταρίες μόνο με τα προϊόντα που καθορίζει η Makita. Αν τοποθετήσετε τις μπαταρίες σε μη συμβατά προϊόντα μπορεί να έχει ως αποτέλεσμα πυρκαγιά, υπερβολική θερμότητα, έκρηξη ή διαρροή ηλεκτρολύτη.
- Αν δεν χρησιμοποιείτε το εργαλείο για μεγάλο χρονικό διάστημα, πρέπει να βγάλετε την μπαταρία από το εργαλείο.

## ΦΥΛΑΞΤΕ ΤΙΣ ΟΔΗΓΙΕΣ ΑΥΤΕΣ.

**▲ΠΡΟΣΟΧΗ:** Να χρησιμοποιείτε μόνο γνήσιες μπαταρίες της Makita. Η χρήση μη γνήσιων μπαταριών Makita, ή μπαταριών που έχουν τροποποιηθεί, μπορεί να έχει ως αποτέλεσμα τη ρήξη της μπαταρίας, προκαλώντας πυρκαγιά, προσωπικό τραυματισμό και βλάβη. Επίσης, θα ακρωθωθεί η εγγύηση της Makita για το εργαλείο και φορτιστή Makita.

## Συμβουλές για τη διατήρηση της μέγιστης ζωής μπαταρίας

- Φορτίζετε την κασέτα μπαταριών πριν από την πλήρη αποφόρτισή της. Πάντοτε να σταματάτε τη λειτουργία του εργαλείου και να φορτίζετε την κασέτα μπαταριών όταν παρατηρείτε μειωμένη ισχύ εργαλείου.
- Ποτέ μην επαναφορτίζετε μια πλήρως φορτισμένη κασέτα μπαταριών. Η υπερφόρτιση μειώνει την ωφέλιμη ζωή της μπαταρίας.
- Να φορτίζετε την κασέτα μπαταριών σε θερμοκρασία δωματίου, δηλαδή στους 10°C έως 40°C. Αφήστε μια θερμή κασέτα μπαταριών να κρυώσει πριν την φορτίσετε.
- Να φορτίζετε την κασέτα μπαταριών εάν δεν τη χρησιμοποιείτε για μεγάλη χρονική περίοδο (περισσότερο από έξι μήνες).

## ΠΕΡΙΓΡΑΦΗ ΛΕΙΤΟΥΡΓΙΑΣ

**▲ΠΡΟΣΟΧΗ:** Να φροντίζετε πάντα για την απενεργοποίηση του εργαλείου και την αφαίρεση της κασέτας μπαταρίας, πριν από οποιαδήποτε ρύθμιση ή έλεγχο της λειτουργίας του.

## Τοποθέτηση ή αφαίρεση της κασέτας μπαταριών

**▲ΠΡΟΣΟΧΗ:** Να σβήνετε πάντα το εργαλείο πριν τοποθετήσετε ή αφαιρέσετε την κασέτα μπαταριών.

**▲ΠΡΟΣΟΧΗ:** Κρατήστε το εργαλείο και την κασέτα μπαταριών σταθερά κατά την τοποθέτηση ή αφαίρεση της κασέτας μπαταριών. Εάν δεν κρατάτε το εργαλείο και την κασέτα μπαταριών σταθερά μπορεί να γλιστρήσουν από τα χέρια σας και να προκληθεί βλάβη στο εργαλείο και την κασέτα μπαταριών και προσωπικός τραυματισμός.

► **Εικ. 1:** 1. Κόκκινη ένδειξη 2. Κουμπί 3. Κασέτα μπαταριών

Για να αφαιρέσετε την κασέτα μπαταριών, ολισθήστε την από το εργαλείο ενώ σύρετε το κουμπί στο μπροστινό μέρος της κασέτας.

Για να τοποθετήσετε την κασέτα μπαταριών, ευθυγραμμίστε τη γλώσσα στην κασέτα μπαταριών με την αύλακα στην υποδοχή και ολισθήστε τη στη θέση της. Να την τοποθετείτε πλήρως μέχρι να ασφαλίσει στη θέση της, γεγονός που υποδεικνύεται με ένα χαρακτηριστικό ήχο. Εάν μπορείτε να δείτε την κόκκινη ένδειξη στην επάνω πλευρά του κουμπιού, δεν έχει κλειδώσει τελείως.

**▲ΠΡΟΣΟΧΗ:** Να τοποθετείτε πάντα την κασέτα μπαταριών πλήρως μέχρι να μη βλέπετε την κόκκινη ένδειξη. Εάν δεν ασφαλιστεί, μπορεί να πέσει από το εργαλείο τυχαία, προκαλώντας σωματική βλάβη σε εσάς ή κάποιον άλλο γύρω σας.

**▲ΠΡΟΣΟΧΗ:** Μην τοποθετείτε την κασέτα μπαταριών με βία. Εάν η κασέτα δεν ολισθαίνει με ευκολία, τότε δεν έχει τοποθετηθεί κατάλληλα.

## Εμφάνιση υπολειπόμενης χωρητικότητας μπαταρίας

**Μόνο για κασέτες μπαταρίας με την ενδεικτική λυχνία**

► **Εικ. 2:** 1. Ενδεικτικές λυχνίες 2. Κουμπί ελέγχου

Πιέστε το κουμπί ελέγχου στην κασέτα μπαταριών για να υποδείξετε την υπολειπόμενη χωρητικότητα μπαταρίας. Οι ενδεικτικές λυχνίες ανάβουν για λίγα δευτερόλεπτα.

Ενδεικτικές Λυχνίες			Υπολειπόμενη χωρητικότητα
Αναμμένες	Σβηστές	Αναβοσβήνου	
■	□	▧	75% έως 100%
■ ■ ■ ■			50% έως 75%
■ ■	□ □		25% έως 50%
■	□ □ □ □		0% έως 25%
▧	□ □ □ □		Φορτίστε την μπαταρία.
■ ■ □ □	□ □		Μπορεί να πρόκυψε δυσλειτουργία στην μπαταρία.
□ □ ■ ■			

**ΠΑΡΑΤΗΡΗΣΗ:** Ανάλογα με τις συνθήκες χρήσης και τη θερμοκρασία περιβάλλοντος, η ένδειξη μπορεί να διαφέρει λίγο από την πραγματική χωρητικότητα.

## Σύστημα προστασίας εργαλείου/ μπαταρίας

Το εργαλείο είναι εξοπλισμένο με σύστημα προστασίας εργαλείου/μπαταρίας. Αυτό το σύστημα αποκόπτει αυτόματα την ισχύ προς το μοτέρ για να παραταθεί η διάρκεια λειτουργίας του εργαλείου και της μπαταρίας. Το εργαλείο σταματάει αυτόματα κατά τη διάρκεια της λειτουργίας εάν το εργαλείο ή η μπαταρία βρεθούν κάτω από τις παρακάτω συνθήκες:

### Προστασία υπερφόρτωσης

Όταν το εργαλείο/μπαταρία λειτουργεί με τρόπο που προκαλεί την κατανάλωση ενός ασυνήθιστα υψηλού ηλεκτρικού ρεύματος, το εργαλείο σταματάει αυτόματα. Σε αυτή την κατάσταση, σβήστε το εργαλείο και διακόψτε την εφαρμογή που προκαλεί την υπερφόρτωση του εργαλείου. Μετά, ενεργοποιήστε το εργαλείο για επανεκκίνηση.

### Προστασία υπερθέρμανσης

Όταν το εργαλείο/μπαταρία υπερθερμαίνεται, το εργαλείο σταματάει αυτόματα. Σε αυτή την κατάσταση, αφήστε τη θερμοκρασία του εργαλείου/μπαταρίας να μειωθεί πριν ενεργοποιήσετε ξανά το εργαλείο.

### Προστασία υπερβολικής αποφόρτισης

Όταν η φόρτιση μπαταρίας δεν είναι αρκετή, το εργαλείο σταματάει αυτόματα. Σε αυτή την περίπτωση, βγάλτε την μπαταρία από το εργαλείο και φορτίστε την μπαταρία.

## Δράση διακόπτη

**▲ΠΡΟΕΙΔΟΠΟΙΗΣΗ:** Πριν βάλετε την κασέτα μπαταρίας μέσα στο εργαλείο, να ελέγχετε πάντα να δείτε αν η σκανδάλη διακόπτης ενεργοποιείται κανονικά και επιστρέφει στη θέση «OFF» όταν ελευθερώνεται.

Για να ξεκινήσετε το εργαλείο, απλώς τραβήξτε τη σκανδάλη διακόπτη. Ελευθερώστε τη σκανδάλη διακόπτη για να σταματήσει.

► **Εικ.3:** 1. Σκανδάλη διακόπτης

**ΠΑΡΑΤΗΡΗΣΗ:** Για περίπου ένα δευτερόλεπτο μετά τη στερέωση, το εργαλείο δεν λειτουργεί ακόμη κι αν τραβήξετε το διακόπτη.

## Δράση διακόπτη αντιστροφής

► **Εικ.4:** 1. Μοχλός διακόπτης αντιστροφής

**▲ΠΡΟΣΟΧΗ:** Να ελέγχετε πάντα τη διεύθυνση περιστροφής πριν από τη λειτουργία.

**▲ΠΡΟΣΟΧΗ:** Να χρησιμοποιείτε τον διακόπτη αντιστροφής μόνο αφού το εργαλείο σταματήσει εντελώς. Η αλλαγή της διεύθυνσης περιστροφής πριν σταματήσει το εργαλείο μπορεί να προκαλέσει ζημιά στο εργαλείο.

**▲ΠΡΟΣΟΧΗ:** Όταν δεν χρησιμοποιείτε το εργαλείο, να βάζετε πάντα το μοχλό διακόπτη αντιστροφής στην ουδέτερη θέση.

Αυτό το εργαλείο διαθέτει έναν διακόπτη αντιστροφής για να αλλάζετε τη διεύθυνση περιστροφής. Πιέστε το μοχλό διακόπτη αντιστροφής από την πλευρά Α για δεξιόστροφη περιστροφή ή από την πλευρά Β για αριστερόστροφη περιστροφή.

Όταν ο μοχλός διακόπτης αντιστροφής είναι στην ουδέτερη θέση, η σκανδάλη διακόπτης δεν μπορεί να τραβηχθεί.

## Αναμμα της μπροστινής λάμπας

► **Εικ.5:** 1. Λάμπα

**▲ΠΡΟΣΟΧΗ:** Μην κοιτάζετε κατευθείαν μέσα στο φως ή στην πηγή φωτός.

Τραβήξτε τη σκανδάλη διακόπτη για να ενεργοποιήσετε τη λάμπα. Η λάμπα εξακολουθεί να είναι αναμμένη όσο τραβάτε τη σκανδάλη διακόπτη. Η λάμπα σβήνει περίπου 10 δευτερόλεπτα αφού αφήσετε τη σκανδάλη διακόπτη.

**ΠΑΡΑΤΗΡΗΣΗ:** Χρησιμοποιήστε ένα στεγνό πανί για να σκουπίσετε τη σκόνη από το φακό της λάμπας. Προσέχετε να μη γρατζουνίσετε το φακό της λάμπας, επειδή μπορεί να μειωθεί η ένταση του φωτισμού.

## Ένδειξη LED / Βομβητής

### ► Εικ.6: 1. Ένδειξη LED

Η ένδειξη LED / βομβητής στο εργαλείο υποδεικνύει τις ακόλουθες λειτουργίες.

Λειτουργία	Κατάσταση του εργαλείου	Κατάσταση της ένδειξης LED / βομβητή		Απαιτούμενη ενέργεια
		Ένδειξη LED	Βομβητής	
Αυτόματη διακοπή με την ολοκλήρωση της στερέωσης	Η προρυθμισμένη ροπή στερέωσης έχει επιτευχθεί και το εργαλείο έχει σταματήσει.	Φωτίζεται με πράσινο χρώμα για περίπου ένα δευτερόλεπτο.	-	-
Συναγερμός για ανεπαρκή στερέωση	Δεν έχει επιτευχθεί η προρυθμισμένη ροπή στερέωσης επειδή η σκανδάλη διακόπτης αφέρθηκε πριν την ολοκλήρωση της στερέωσης.	Φωτίζεται με κόκκινο χρώμα.	Ένα παρατεταμένο μπιπ	Σφίξτε ξανά τη βίδα.
Συναγερμός για χαμηλή χωρητικότητα μπαταρίας	Η ενέργεια μπαταρίας έγινε χαμηλή και πρέπει να αντικατασταθεί η κασέτα μπαταριών.	Αναβοσβήνει αργά με κόκκινο χρώμα.	Μια σειρά παρατεταμένων μπιπ	Αντικαταστήστε την μπαταρία με μια πλήρως φορτισμένη.
Αυτόματη διακοπή με χαμηλή υπόλοιπη χωρητικότητα μπαταρίας	Η ενέργεια μπαταρίας έχει σχεδόν εξαντηθεί και το εργαλείο σταμάτησε.	Φωτίζεται με κόκκινο χρώμα.	Ένα παρατεταμένο μπιπ	Αντικαταστήστε την μπαταρία με μια πλήρως φορτισμένη.
Έλεγχος της λειτουργίας της ένδειξης LED, λυχνίας και βομβητή	Όταν τοποθετηθεί η κασέτα μπαταριών, το εργαλείο ελέγχει για την ένδειξη LED, τη λυχνία και βομβητή της.	Ανάβει πρώτα με πράσινο χρώμα και μετά με κόκκινο χρώμα. (Και μετά ανάβει η λυχνία.)	Μια σειρά από πολύ σύντομα μπιπ	-
Αντι-επαναρύθμιση του ελεγκτή	Για κάποιο λόγο η τάση μπαταρίας μειώθηκε ασυνήθιστα και το εργαλείο σταμάτησε.	Αναβοσβήνει εναλλακτικά με πράσινο και κόκκινο χρώμα.	Μια σειρά σύντομων μπιπ	Αντικαταστήστε την μπαταρία με μια πλήρως φορτισμένη.
Προστασία υπερθέρμανσης	Ο ελεγκτής του εργαλείου θερμάνθηκε ασυνήθιστα και το εργαλείο σταμάτησε.	Αναβοσβήνει γρήγορα με κόκκινο χρώμα.	Μια σειρά σύντομων μπιπ	Αφαιρέστε την κασέτα μπαταριών αμέσως και ψύξτε το εργαλείο.
Ανίχνευση της λειτουργίας της σκανδάλης διακόπτη κατά την τοποθέτηση της μπαταρίας	Όταν η κασέτα μπαταρίας τοποθετηθεί με τη σκανδάλη διακόπτη τραβηγμένη, το εργαλείο σταματάει για να αποφευχθεί η αθέλητη εκκίνηση.	Αναβοσβήνει εναλλακτικά με πράσινο και κόκκινο χρώμα.	Μια σειρά σύντομων μπιπ	Ελευθερώστε τη σκανδάλη διακόπτη.
Ανίχνευση αποτυχίας μοτέρ	Ανιχνεύτηκε αποτυχία του μοτέρ. Τη συγκεκριμένη στιγμή, το εργαλείο δεν λειτουργεί.	Αναβοσβήνει εναλλακτικά με πράσινο και κόκκινο χρώμα.	Μια σειρά σύντομων μπιπ	Απευθυνθείτε στο τοπικό σας κέντρο εξυπηρέτησης της Makita για επισκευή.
Ανίχνευση διπλής στερέωσης	Όταν ο χειριστής αρχίζει να στερεώνει ξανά μια ήδη στερεωμένη βίδα, το εργαλείο το ανιχνεύει και σταματάει.	Φωτίζεται με κόκκινο χρώμα.	Ένα παρατεταμένο μπιπ	-
Συναγερμός συντήρησης	Πρέπει να γίνει συντήρηση επειδή επιτεύχθηκε ο προρυθμισμένος αριθμός των βιδών που στερεώθηκαν.	Αναβοσβήνει με κίτρινο χρώμα.	-	Επαναφέρετε το συναγερμό με το λογισμικό εφαρμογής.
Συναγερμός για μη διαθέσιμη επικοινωνία δεδομένων (με το εργαλείο σε σύνδεση με H/Y)	Τα δεδομένα δεν μπορούν να ανταλλάξουν μεταξύ του εργαλείου και του H/Y παρά τη σύνδεση.	Αναβοσβήνει με κίτρινο χρώμα.	-	Επαναφέρετε το λογισμικό εφαρμογής και συνδέστε ξανά το καλώδιο USB.
Ένδειξη ότι διατίθεται επικοινωνία δεδομένων (με το εργαλείο σε σύνδεση με H/Y)	Το εργαλείο είναι συνδεδεμένο με H/Y και η επικοινωνία δεδομένων είναι διαθέσιμη.	Αναβοσβήνει με πράσινο χρώμα.	-	-

## Ρύθμιση της ροπής στερέωσης

Όταν επιθυμείτε να βιδώσετε μηχανόβιδες, εξαγωγικά μπουλόνια, κτλ. με την προκαθορισμένη ροπή, ρυθμίστε τη ροπή στερέωσης όπως περιγράφεται στη συνέχεια.

1. Τοποθετήστε την κασέτα μπαταριών.
2. Ανοίξτε την πλάκα αλλαγής με το χέρι μέχρι να μπορέσετε να δείτε μια οπή.

► **Εικ.7:** 1. Πλάκα αλλαγής

3. Τραβήξτε τη σκανδάλη διακοπής και αφήστε την με τρόπο ώστε να περιστραφεί ο δακτύλιος προσαρμογής και η οπή να γίνει ορατή. Μετά αφαιρέστε την κασέτα μπαταριών.

4. Χρησιμοποιήστε μια προαιρετική προσαρμοστική λαβή για να ρυθμίσετε τη ροπή στερέωσης. Εισαγάγετε τον πείρο της προσαρμοστικής λαβής στην οπή στο εμπρόσθιο μέρος του εργαλείου. Στη συνέχεια, περιστρέψτε την προσαρμοστική λαβή δεξιόστροφα για να ρυθμίσετε μεγαλύτερη ροπή στερέωσης και αριστερόστροφα για να ρυθμίσετε σε μικρότερη ροπή στερέωσης. Χρησιμοποιήστε την κίτρινη γραμμή ως πρόχειρο οδηγό.

► **Εικ.8:** 1. Προσαρμοστική λαβή 2. Οπή για προσαρμοστική λαβή 3. Κίτρινη γραμμή

5. Εισαγάγετε την κασέτα μπαταριών και βεβαιωθείτε ότι έχει ρυθμιστεί μια ροπή στερέωσης χρησιμοποιώντας ένα μετρητή ροπής στερέωσης.

6. Κλείστε με ασφάλεια την πλάκα αλλαγής με το χέρι.

## Ρύθμιση ταχύτητας χωρίς φορτίο και γωνίας στροφής, κτλ.

Μπορείτε να ρυθμίσετε την ταχύτητα χωρίς φορτίο, τον αριθμό στροφών, κτλ. του εργαλείου από τον υπολογιστή σας. Εγκαταστήστε το λογισμικό εφαρμογής στον υπολογιστή σας και συνδέστε το στο εργαλείο με καλώδιο USB.

► **Εικ.9:** 1. Καλώδιο USB 2. Κάλυμμα USB 3. Θύρα USB

**ΕΙΔΟΠΟΙΗΣΗ:** Βεβαιωθείτε ότι το κάλυμμα USB έκλεισε κατά τη στερέωση.

**ΠΑΡΑΤΗΡΗΣΗ:** Για το λογισμικό εφαρμογής, επικοινωνήστε με τον αντιπρόσωπο πωλήσεων της Makita.

## ΣΥΝΑΡΜΟΛΟΓΗΣΗ

**▲ΠΡΟΣΟΧΗ:** Να βεβαιώνετε πάντα ότι το εργαλείο είναι σβηστό και η κασέτα μπαταρίας έχει αφαιρεθεί πριν εκτελέσετε κάποια εργασία στο εργαλείο.

## Επιλογή σωστής υποδοχής

Υπάρχουν διαφορετικοί τύποι υποδοχών για μερικά μοντέλα ανάλογα με τις εφαρμογές. Επιλέξτε και τοποθετήστε μια σωστή υποδοχή για την εφαρμογή σας.

## Τοποθέτηση ή αφαίρεση υποδοχής

► **Εικ.10:** 1. Υποδοχή 2. Οπή 3. Πείρος

Για να τοποθετήσετε την υποδοχή, σπρώξτε τη στον τετράγωνο οδηγό του εργαλείου με το ένα χέρι πιέζοντας τον πείρο στον τετράγωνο οδηγό με το άλλο χέρι μέχρι να ασφαλίσει στη θέση της. Για να αφαιρέσετε την υποδοχή, απλώς τραβήξτε την έξω πιέζοντας τον πείρο στον τετράγωνο οδηγό.

**▲ΠΡΟΣΟΧΗ:** Πριν από τη λειτουργία, βεβαιωθείτε ότι η υποδοχή είναι σωστά ασφαλισμένη στον τετράγωνο οδηγό. Η ατελής σύνδεση της υποδοχής μπορεί να προκαλέσει τραυματισμό.

## Τοποθέτηση ή αφαίρεση της μύτης βιδώματος/προέκτασης μύτης

**Ειδικό της χώρας**

► **Εικ.11**

Να χρησιμοποιείτε μόνο μύτες βιδώματος/προεκτάσεις μυτών που έχουν το τμήμα εισαγωγής που υποδεικνύεται στην εικόνα. Μη χρησιμοποιείτε οποιαδήποτε άλλη μύτη βιδώματος/προέκταση μύτης.

**Για εργαλείο με ρηχή οπή μύτης βιδώματος**

A=12 mm B=9 mm	Να χρησιμοποιείτε μύτες βιδώματος αυτού του τύπου μόνο. Ακολουθήστε τη διαδικασία 1. (Σημείωση) Δεν απαιτείται τεμάχιο μύτης.
-------------------	---

**Για εργαλείο με βαθιά οπή μύτης βιδώματος**

A=17 mm B=14 mm	Για την τοποθέτηση μυτών βιδώματος αυτού του τύπου, ακολουθήστε τη διαδικασία 1.
A=12 mm B=9 mm	Για την τοποθέτηση μυτών βιδώματος αυτού του τύπου, ακολουθήστε τη διαδικασία 2. (Σημείωση) Απαιτείται τεμάχιο μύτης για την τοποθέτηση της μύτης.

► **Εικ.12:** 1. Μύτη βιδώματος 2. Τσοκ

Για να τοποθετήσετε τη μύτη βιδώματος, τραβήξτε το τσοκ προς την κατεύθυνση του βέλους και εισαγάγετε τη μύτη βιδώματος στο τσοκ μέχρι τέρμα.

Κατόπιν, αφήστε το τσοκ για να ασφαλίσει τη μύτη βιδώματος.

Για να βγάλετε τη μύτη βιδώματος, τραβήξτε το τσοκ προς την κατεύθυνση του βέλους και τραβήξτε τη μύτη βιδώματος προς τα έξω.

**ΠΑΡΑΤΗΡΗΣΗ:** Αν η μύτη βιδώματος δεν έχει εισαχθεί αρκετά βαθιά μέσα στο τσοκ, το τσοκ δεν θα επιστρέψει στην αρχική του θέση και η μύτη βιδώματος δεν θα ασφαλιστεί. Στην περίπτωση αυτή, προσπαθήστε να εισαγάγετε ξανά την μύτη σύμφωνα με τις παραπάνω οδηγίες.

**ΠΑΡΑΤΗΡΗΣΗ:** Όταν είναι δύσκολη η τοποθέτηση της μύτης βιδώματος, τραβήξτε το χιτώνιο και εισαγάγετε τη μύτη μέσα στο χιτώνιο μέχρι τέρμα.

**ΠΑΡΑΤΗΡΗΣΗ:** Αφού τοποθετήσετε τη μύτη βιδώματος, βεβαιωθείτε ότι είναι καλά ασφαλισμένη. Αν όμως βγει έξω, μην τη χρησιμοποιήσετε.



## Τοποθέτηση γάντζου

### Προαιρετικό αξεσουάρ

Ο γάντζος χρησιμοποιεί για το κρέμασμα του εργαλείου. Τοποθετήστε το γάντζο στις οπές στο σώμα του εργαλείου.

► **Εικ.13:** 1. Γάντζος 2. Οπή

## ΛΕΙΤΟΥΡΓΙΑ

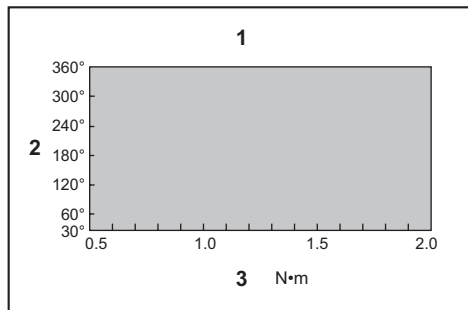
Κρατάτε το εργαλείο σταθερά και τοποθετήστε την υποδοχή επάνω στο μπουλόνι ή στο παξιμάδι. Μετά ενεργοποιήστε το εργαλείο. Όταν ο συμπλέκτης εμπλακεί, ο κινητήρας θα σταματήσει αυτόματα. Στη συνέχεια ελευθερώστε τη σκανδάλη διακόπτη.

**ΠΑΡΑΤΗΡΗΣΗ:** Κρατάτε το εργαλείο με τον τετράγωνο οδηγό στραμμένο ευθεία προς το μπουλόνι ή το παξιμάδι, διαφορετικά το μπουλόνι ή το παξιμάδι θα υποστεί ζημιά.

## Όρια ικανότητας στερέωσης

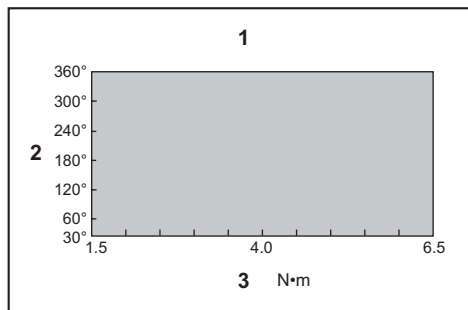
Χρησιμοποιήστε το εργαλείο εντός των ορίων της ικανότητας στερέωσης. Αν χρησιμοποιήσετε το εργαλείο πέρα από τα όρια, ο συμπλέκτης δεν θα λειτουργεί. Επίσης, το εργαλείο δεν θα μπορεί να αποδώσει αρκετή ροπή στερέωσης.

### Για το μοντέλο DFL020F



1. Εύρος ικανότητας στερέωσης 2. Γωνία περιστροφής  
3. Ροπή

### Για το μοντέλο DFL063F



1. Εύρος ικανότητας στερέωσης 2. Γωνία περιστροφής  
3. Ροπή

**ΠΑΡΑΤΗΡΗΣΗ:** Η γωνία περιστροφής είναι η γωνία από το σημείο που το μπουλόνι έχει σφικτεί κατά 50% της επιθυμητής ροπής μέχρι το σημείο που το μπουλόνι σφικτεί με ροπή 100%.

**ΠΑΡΑΤΗΡΗΣΗ:** Η χρήση μιας κρύας κασέτας μπαταριών μπορεί να παράγει προειδοποίηση για τη χωρητικότητα μπαταρίας με την ένδειξη LED και το βομβητή και να σταματήσει αμέσως τη λειτουργία του εργαλείου, ακόμη κι αν είναι πλήρως φορτισμένη. Στην περίπτωση αυτή, η ικανότητα στερέωσης μπορεί να είναι καλύτερη από την προδιαγραφή στο παρόν εγχειρίδιο.

## ΣΥΝΤΗΡΗΣΗ

**▲ΠΡΟΣΟΧΗ:** Πριν την εκτέλεση εργασιών επιθεώρησης ή συντήρησης, πάντοτε να βεβαιώνεται ότι η συσκευή απενεργοποιήθηκε και η κασέτα μπαταριών έχει αφαιρεθεί.

**ΕΙΔΟΠΟΙΗΣΗ:** Μην χρησιμοποιείτε ποτέ βενζίνη, πετρελαϊκό αιθέρα, διαλυτικό, αλκοόλη ή παρόμοιες ουσίες. Μπορεί να προκληθεί αποχρωματισμός, παραμόρφωση ή ρωγμές.

Για τη διατήρηση της ΑΣΦΑΛΕΙΑΣ και ΑΞΙΟΠΙΣΤΙΑΣ του προϊόντος, οι επισκευές και οποιαδήποτε άλλη εργασία συντήρησης ή ρύθμισης πρέπει να εκτελούνται από εξουσιοδοτημένα ή εργοστασιακά κέντρα εξυπηρέτησης της Makita, χρησιμοποιώντας πάντοτε ανταλλακτικά της Makita.

## ΠΡΟΑΙΡΕΤΙΚΑ ΕΞΑΡΤΗΜΑΤΑ

**▲ΠΡΟΣΟΧΗ:** Αυτά τα εξαρτήματα ή προσαρτήματα συνιστώνται για χρήση με το εργαλείο Makita που περιγράφηκε στις οδηγίες αυτές. Η χρήση οποιωνδήποτε άλλων εξαρτημάτων ή προσαρτημάτων μπορεί να προκαλέσει κίνδυνο τραυματισμού σε άτομα. Να χρησιμοποιείτε τα εξαρτήματα ή προσαρτήματα μόνο για την χρήση που προορίζονται.

Εάν χρειάζεστε οποιαδήποτε βοήθεια για περισσότερες πληροφορίες σε σχέση με αυτά τα εξαρτήματα, απαντήστε στο τοπικό σας κέντρο εξυπηρέτησης Makita.

- Γνήσια μπαταρία και φορτιστής της Makita
- Προστατευτικό (κίτρινο, μπλε, κόκκινο, διάφανο, πράσινο)
- Προσαρμοστική λαβή
- Πλήρης άτρακτος
- Γάντζος

**ΠΑΡΑΤΗΡΗΣΗ:** Μερικά στοιχεία στη λίστα μπορεί να συμπεριλαμβάνονται στη συσκευασία εργαλείου ως στάνταρ εξαρτήματα. Μπορεί να διαφέρουν ανάλογα με τη χώρα.

## TEKNİK ÖZELLİKLER

Model:		DFL020F	DFL063F
Sıkma torku	Sert tespit yeri	0,5 - 2 N•m	1,5 - 6,5 N•m
	Yumuşak tespit yeri	0,5 - 2 N•m	1,5 - 6,5 N•m
Kare uçlu geçme anahtarı		9,5 mm	
Matkap mili Ülkeye özgü		6,35 mm Altigen	
Yüksüz hız (dev/dak) <sup>**</sup>		100 - 1.300 min <sup>-1</sup>	180 - 1.300 min <sup>-1</sup>
Nominal voltaj		D.C. 18 V	
Tam uzunluk (Bataryaya bağlı)	BL1815N ile	380 mm	
	BL1860B ile	397 mm	
Net ağırlık		1,3 - 1,6 kg	1,3 - 1,7 kg

- Sürekli yapılan araştırma ve geliştirmelerden dolayı, burada belirtilen özellikler önceden bildirilmeksizin değiştirilebilir.
- Özellikler ülkeden ülkeye değişebilir.
- Ağırlık, ekli aksesuara/aksesuarlara ve batarya kartuşuna bağlı olarak farklılık gösterebilir. EPTA-Prosedürü 01/2014'e göre en hafif ve en ağır kombinasyonlar tabloda verilmiştir.
- \*\* Yüksüz hız özel uygulama ile ayarlanabilir.

### Geçerli batarya kartuşu ve şarj aleti

Batarya kartuşu	BL1815N / BL1820 / BL1820B / BL1830 / BL1830B / BL1840 / BL1840B / BL1850 / BL1850B / BL1860B
Şarj aleti	DC18RC / DC18RD / DC18RE / DC18SD / DC18SE / DC18SF / DC18SH

- Yukarıda listelenen batarya kartuşlarının ve şarj aletlerinin bazıları yaşadığınız bölgeye bağlı olarak mevcut olmayabilir.

**UYARI:** Sadece yukarıda listelenen batarya kartuşlarını ve şarj aletlerini kullanın. Başka batarya kartuşlarının ve şarj aletlerinin kullanılması yaralanma ve/veya yangına neden olabilir.

### Kullanım amacı

Bu alet ahşap, metal ve plastik malzemede vidalama işlemleri için kullanılması amaçlanmıştır.

### Gürültü

Tipik A-ağırlıklı gürültü düzeyi (EN62841-2-2 standardına göre belirlenen):

#### Model DFL020F

Ses basınç seviyesi (L<sub>PA</sub>): 70 dB (A) veya daha az  
Belirsizlik (K): 3 dB (A)

#### Model DFL063F

Ses basınç seviyesi (L<sub>PA</sub>): 70 dB (A) veya daha az  
Belirsizlik (K): 3 dB (A)

İşlem sırasında gürültü seviyesi 80 dB (A)'yi geçebilir.

**NOT:** Beyan edilen gürültü emisyonu değer(ler) bir standart test yöntemine uygun şekilde ölçülmüştür ve bir aleti bir başkasıyla karşılaştırmak için kullanılabilir.

**NOT:** Beyan edilen gürültü emisyonu değer(ler) i bir ön maruz kalma değerlendirmesi olarak da kullanılabilir.

**UYARI:** Kulak koruyucuları takın.

**UYARI:** Elektrikli aletin gerçek kullanımı sırasındaki gürültü emisyonu, aletin kullanım biçimlerine, özellikle işlenen iş parçasının türüne bağlı olarak beyan edilen değer(ler)den farklı olabilir.

**UYARI:** Gerçek kullanım koşullarındaki tahmini maruziyeti baz alan, operatörü koruyacak güvenlik önlemlerini mutlaka belirleyin (çalışma döngüsü içerisinde aletin kapalı olduğu ve aktif durumda olmasının yanı sıra boşta çalıştığı zamanlar gibi, bütün zaman dilimleri göz önünde bulundurarak).

### Titreşim

Titreşim toplam değeri (üç eksenli vektör toplamı) (EN62841-2-2 standardına göre hesaplanan):

#### Model DFL020F

Çalışma modu: darbesiz vidalama  
Titreşim emisyonu (a<sub>h</sub>): 2,5 m/s<sup>2</sup> den az  
Belirsizlik (K): 1,5 m/s<sup>2</sup>

#### Model DFL063F

Çalışma modu: darbesiz vidalama  
Titreşim emisyonu (a<sub>h</sub>): 2,5 m/s<sup>2</sup> den az  
Belirsizlik (K): 1,5 m/s<sup>2</sup>



**NOT:** Beyan edilen titreşim toplam değer(ler)i bir standart test yöntemine uygun şekilde ölçülmüştür ve bir aleti bir başkasıyla karşılaştırmak için kullanılabilir.

**NOT:** Beyan edilen titreşim toplam değer(ler)i bir ön maruz kalma değerlendirilmesi olarak da kullanılabilir.

**UYARI:** Elektrikli aletin gerçek kullanımı sırasındaki titreşim emisyonu, aletin kullanım biçimlerine, özellikle işlenen iş parçasının türüne bağlı olarak beyan edilen değer(ler)den farklı olabilir.

**UYARI:** Gerçek kullanım koşullarındaki tahmini maruziyeti baz alan, operatörü koruyacak güvenlik önlemlerini mutlaka belirleyin (çalışma döngüsü içerisinde aletin kapalı olduğu ve aktif durumda olmasının yanı sıra boşta çalıştığı zamanlar gibi, bütün zaman dilimleri göz önünde bulundurarak).

## EC Uygunluk Beyanı

### Sadece Avrupa ülkeleri için

EC uygunluk beyanı bu kullanım kılavuzuna Ek A olarak eklenmiştir.

## GÜVENLİK UYARILARI

### Genel elektrikli alet güvenliği uyarıları

**UYARI:** Bu elektrikli aletle birlikte sunulan tüm güvenlik uyarılarını, talimatları, çizimleri ve teknik özellikleri okuyun. Aşağıda verilen talimatlara uyulmaması elektrik şoku, yangın ve/veya ciddi yaralanmalar ile sonuçlanabilir.

## Tüm uyarıları ve talimatları ile- ride başvurmak için saklayın.

Uyarılardaki "elektrikli alet" terimi ile ya prizden çalışan (kordonlu) elektrikli aletiniz ya da kendi aküsü ile çalışan (kordsuz) elektrikli aletiniz kastedilmektedir.

### Akülü tornavida güvenlik uyarıları

- Tespit elemanının görünmeyen kablolarla temas etme olasılığı bulunan yerlerde çalışırken elektrikli aleti yalıtımlı kavrama yüzeylerinden tutun.** Tespit elemanlarının "akımlı" bir tele temas etmesi, elektrikli aletin yalıtımsız metal kısımlarını "akımlı" hale getirebilir ve kullanıcıyı elektrik şokuna maruz bırakabilir.
- Her zaman yere sağlam basın.** Aleti yüksekte kullandığınızda, altında kimse olmadığını emin olun.
- Aleti sıkıca tutun.**
- Ellerinizi dönen parçalardan uzak tutun.**
- Kullanılan ucu veya iş parçasını işlemden hemen sonra elleme; bunlar çok sıcak olup derinizi yakabilir.**
- İş parçalarını daima bir mengene ya da benzer sıkıştırma aygıtlarıyla sabitleyin.**

## BU TALİMATLARI SAKLAYIN.

**UYARI:** Ürünü kullanırken (defalarca kullanınca kazanılan) rahatlık ve tanıdıklık duygusunun ilgili ürünün güvenlik kurallarına sıkı sıkıya bağlı kalmanın yerine geçmesine İZİN VERMEYİN.

**YANLIŞ KULLANIM** veya bu kullanma kılavuzunda belirtilen emniyet kurallarına uymama ciddi yaralanmaya neden olabilir.

## Batarya kartuşu hakkında önemli güvenlik talimatları

- Batarya kartuşunu kullanmadan önce, tüm talimatları ve (1) batarya kartuşu, (2) batarya ve (3) ürün üzerindeki tüm uyarı işaretlerini okuyun.**
- Batarya kartuşunu demonte etmeyin.**
- Çalışma süresi aşırı derecede kısalmışsa kullanmayı derhal bırakın. Aşırı ısınma, yanma riski hatta patlamaya neden olabilir.**
- Gözünüze elektrolit kaçarsa, gözlerinizi temiz suyla durulayın ve hemen tıbbi yardım alın. Görme kaybına yol açabilir.**
- Batarya kartuşuna kısa devre yaptırmayın:**
  - Terminallere herhangi bir iletken madde değdirmeyin.**
  - Batarya kartuşunu çiviler, madeni paralar, vb. gibi başka metal nesnelere aynı kaba koymaktan kaçının.**
  - Batarya kartuşunu yağmura ya da suya maruz bırakmayın.**
- Kısa devre, büyük bir akım akışına, aşırı ısınmaya, olası yangınlara hatta bataryanın bozulmasına yol açabilir.**
- Aleti ve batarya kartuşunu sıcaklığın 50°C ya da daha yükseğe ulaştığı yerlerde saklamayın.**
- Aşırı derecede hasar görmüş ya da tamamen kullanılamaz durumda olsa bile batarya kartuşunu yakmayın. Batarya kartuşu ateşe atılsa patlayabilir.**
- Bataryayı düşürmemeye ve çarpmamaya dikkat edin.**
- Hasarlı bataryayı kullanmayın.**
- Aletin içerdği lityum-iyon bataryalar Tehlikeli Eşyalar Yönetmeliğinin gereksinimlerine tabidir.** Ticari nakliye işlemleri için, örneğin üçüncü taraflar, nakliye acenteleri tarafından yapılan nakliyelerde, paketleme ve etiketleme gereksinimlerine uyulmalıdır. Nakliyesi yapılacak ürünün hazırlanması için, tehlikeli maddeler konusunda uzman bir kişiye danışın. Lütfen muhtemelen daha ayrıntılı olan ulusal yönetmeliklere de uyun. Açık kontakları bantlayın ya da maskeleyin ve bataryayı paketin içinde hareket etmeyecek şekilde paketleyin.
- Batarya kartuşunu bertaraf ederken aletten çıkarın ve güvenli bir yerde bertaraf edin. Bataryanın bertaraf edilmesi ile ilgili yerel düzenlemelere uyunuz.**
- Bataryaları sadece Makita tarafından belirtilen ürünlerle kullanın. Bataryaların uyumsuz ürünlere takılması; yangın, aşırı ısınma, patlama ya da elektrolit sızıntısına neden olabilir.**
- Alet uzun süre kullanılmıyacaksa batarya aletten çıkarılmalıdır.**

## BU TALİMATLARI MUHAFAZA EDİNİZ.

**⚠ DİKKAT:** Sadece orijinal Makita bataryalarını kullanın. Orijinal olmayan Makita bataryaları ya da üzerine değişiklik yapılmış bataryaların kullanımı bataryanın patlamasına ve sonuç olarak yangın, kişisel yaralanma ve hasara neden olabilir. Ayrıca Makita aleti ve şarj aletinin Makita tarafından sunulan garantisini de geçersiz olur.

## Maksimum batarya ömrü için ipuçları

1. Batarya kartuşunu tamamen boşalmadan önce şarj edin. Aletin gücünün zayıflamaya başladığını fark ettiğinizde aleti durdurun ve batarya kartuşunu şarj edin.
2. Tam dolu bir batarya kartuşunu asla yeniden şarj etmeyin. Aşırı şarj etme bataryanın hizmet ömrünü kısaltır.
3. Batarya kartuşunu 10°C - 40°C oda sıcaklığında şarj edin. Sıcak bir batarya kartuşunu şarj etmeden önce soğumasını bekleyin.
4. Uzun bir süre (altı aydan daha fazla) kullanmadığınız durumlarda batarya kartuşunu şarj edin.

## İŞLEVSEL NİTELİKLER

**⚠ DİKKAT:** Alet üzerinde ayarlama veya işleyiş kontrolü yapmadan önce aleti kapalı ve batarya kartuşunun ayrılmış olduğundan daima emin olun.

## Batarya kartuşunun takılması ve çıkarılması

**⚠ DİKKAT:** Batarya kartuşunu takmadan ya da çıkarmadan önce aleti daima kapatın.

**⚠ DİKKAT:** Batarya kartuşunu takarken veya çıkarırken aleti ve batarya kartuşunu sıkıca tutun. Aletin ve batarya kartuşunun sıkıca tutulmaması bunların düşürülmesine sebep olabilir ve alet ve batarya kartuşunun zarar görmesine ya da ciddi yaralanmasına yol açabilir.

► **Şek.1:** 1. Kırmızı gösterge 2. Düğme 3. Batarya kartuşu

Batarya kartuşunu çıkarmak için, kartuşun ön tarafındaki düğmeyi kaydırarak kartuşu aletten çıkarın.

Batarya kartuşunu takmak için, batarya kartuşu üzerindeki dili yuvanın çentiği ile hizalayın ve yerine oturtun. Hafif bir tık sesi duyulana kadar itip yerine tam oturmasını sağlayın. Düğmenin üst tarafındaki kırmızı gösterge görünüyorsa tam yerine kilitlenmemiş demektir.

**⚠ DİKKAT:** Batarya kartuşunu daima kırmızı gösterge görünmeyecek şekilde tam olarak takın. Yerine tam oturmazsa, aletten yanlışlıkla düşebilir, sizin ya da çevrenizdeki kişilerin yaralanmasına neden olabilir.

**⚠ DİKKAT:** Batarya kartuşunu zorlayarak takmayın. Kartuş kolay bir şekilde kaymıyorsa doğru yerleştirilmemiş demektir.

## Kalan batarya kapasitesinin gösterilmesi

Sadece göstergeli batarya kartuşları için

► **Şek.2:** 1. Gösterge lambaları 2. Kontrol düğmesi

Kalan batarya kapasitesini göstermesi için batarya kartuşu üzerindeki kontrol düğmesine basın. Gösterge lambaları birkaç saniye yanar.

Gösterge lambaları			Kalan kapasite
Yanıyor	Kapalı	Yanıp sönüyor	
■ ■ ■ ■			%75 ila %100
■ ■ ■ □			%50 ila %75
■ ■ □ □			%25 ila %50
■ □ □ □			%0 ila %25
▣ □ □ □			Bataryayı şarj edin.
■ ■ □ □			Batarya arızalanmış olabilir.
□ □ ■ ■			

**NOT:** Kullanım koşullarına ve ortam sıcaklığına bağlı olarak, gösterilen değer gerçek kapasiteden biraz farklılık gösterebilir.

## Alet/batarya koruma sistemi

Bu alet bir alet/batarya koruma sistemi ile donatılmıştır. Bu sistem motora giden gücü otomatik olarak keserek uzun alet ve batarya ömrü sağlar. Alet veya batarya için aşağıdaki durumlardan biri söz konusu olduğunda aletin işleyişi otomatik olarak durur:

### Aşırı yük koruması

Alet/batarya, anormal derecede yüksek akım çekmesine neden olacak şekilde çalıştırılırsa alet otomatik olarak durur. Bu durumda aleti kapatın ve aletin aşırı yüklenmesine neden olan uygulamayı kesin. Ardından aleti açarak yeniden çalıştırın.

### Aşırı ısınma koruması

Alet/batarya aşırı ısındığında, alet otomatik olarak durur. Bu durumda, yeniden çalıştırmadan önce aletin/bataryanın soğumasını bekleyin.

### Aşırı deşarj koruması

Batarya kapasitesi yeterli olmadığında, alet otomatik olarak durur. Bu durumda, bataryayı aletten çıkarın ve bataryayı tekrar şarj edin.

## Anahtar işlemleri

**⚠UYARI:** Batarya kartuşunu alete takmadan önce anahtar tetiğinin doğru çalıştığından ve bırakıldığında "OFF" (kapalı) konumuna döndüğünden emin olun.

Aleti çalıştırmak için sadece anahtar tetiğe basmanız yeterlidir. Aleti durdurmak için anahtar tetiği bırakın.

► **Şek.3:** 1. Anahtar tetik

**NOT:** Sıkma işleminden yaklaşık bir saniye sonra anahtar basılı olsa bile alet çalışmaz.

## Ters dönüş mandalı işlemi

► **Şek.4:** 1. Ters dönüş mandalı anahtarı

**⚠DİKKAT:** Kullanmadan önce dönüş yönünü daima kontrol edin.

**⚠DİKKAT:** Ters döndürme anahtarını sadece alet tamamen durduktan sonra kullanın. Dönüş yönünün alet durmadan önce değiştirilmesi alete zarar verebilir.

**⚠DİKKAT:** Aleti kullanmadığınız zaman, ters döndürme anahtarını daima nötr konumuna ayarlayın.

Bu aletin dönüş yönünü değiştirmek için bir ters döndürme anahtarı vardır. Ters döndürme anahtarına saat yönünde dönüş için A tarafından tersi yönde dönüş içinse B tarafından bastırın.

Ters döndürme anahtarı nötr konumundayken tetik anahtar çekilemez.

## Ön lambanın yakılması

► **Şek.5:** 1. Lamba

**⚠DİKKAT:** Işığa bakmayın ya da ışık kaynağını doğrudan görmeyin.

Lambayı yakmak için anahtar tetiği çekin. Anahtar tetik çekilirken lamba yanmaya devam eder. Anahtar tetik serbest bırakıldıktan yaklaşık 10 saniye sonra lamba söner.

**NOT:** Lamba lensini temizlemek için kuru bir bez kullanın. Aydınlatmayı azaltacağı için lamba lensinin çizilmemesine dikkat edin.

## LED göstergesi/bipleyci

► **Şek.6:** 1. LED göstergesi

Alet üzerindeki LED göstergesi/bipleyci aşağıdaki fonksiyonları gösterir.

Fonksiyon	Aletin durumu	LED göstergesi/bipleycinin durumu		Yapılacak eylem
		LED göstergesi	Bipleyci	
Sıkma tamamlandığında otomatik durma	Ön ayarlı sıkma torku elde edilmiştir ve alet durmuştur.	Yaklaşık bir saniye yeşil yanar.	-	-
Yetersiz sıkma alarmı	Anahtar tetik sıkma tamamlanmadan bırakıldığından ön ayarlı sıkma torku elde edilmemiştir.	Kırmızı yanar.	Uzun bip sesi	Vidayı yeniden sıkın.
Düşük batarya kapasitesi alarmı	Batarya gücü düşer ve batarya kartuşunu değiştirme vakti gelmiştir.	Yavaş yavaş kırmızı yanıp söner.	Uzun bip sesi serisi	Bataryayı tam şarjlı bir bataryayla değiştirin.
Düşük kalan batarya kapasitesi nedeniyle otomatik durma	Batarya gücü neredeyse bitmiştir ve alet durmuştur.	Kırmızı yanar.	Uzun bip sesi	Bataryayı tam şarjlı bir bataryayla değiştirin.
LED göstergesi, ışık ve bipleyci çalışma kontrolü	Batarya kartuşu takıldığında alet LED göstergesini, ışığını ve bipleyciyi kontrol eder.	Önce yeşil, sonra kırmızı yanar. (Daha sonra ışık yanar.)	Çok kısa bip sesi serisi	-
Kumanda birimi sıfırlama öneleyici	Batarya gerilimi bir nedenle anormal derecede düşmüştür ve alet durmuştur.	Dönüşümlü olarak kırmızı ve yeşil yanıp söner.	Kısa bip sesi serisi	Bataryayı tam şarjlı bir bataryayla değiştirin.
Aşırı ısınma koruması	Aletin kumanda birimi anormal derecede ısınmıştır ve alet durmuştur.	Hızlı hızlı kırmızı yanıp söner.	Kısa bip sesi serisi	Batarya kartuşunu derhal çıkarın ve aleti soğutun.
Bataryayı takarken anahtar tetiğinin kullanılması tespiti	Anahtar tetik basılı durumda batarya kartuşu takılırken kazara çalışmayı engellemek için alet durur.	Dönüşümlü olarak kırmızı ve yeşil yanıp söner.	Kısa bip sesi serisi	Anahtar tetiği bırakın.

Fonksiyon	Aletin durumu	LED göstergesi/bipleycinin durumu		Yapılacak eylem
		LED göstergesi	Bipleyci	
Motor arızası tespiti	Motor arızası tespit edilmiştir. Bu durumda alet çalışmaz.	Dönüşümlü olarak kırmızı ve yeşil yanıp söner.	Kısa bip sesi serisi	Yerel Makita Servisinizden onarımını isteyin.
Çift vuruş tespiti	Operatör önceden sıkılmış bir vidayı yeniden sıkmaya başlarsa alet bunu algılar ve durur.	Kırmızı yanar.	Uzun bip sesi	-
Bakım alarmı	Önceden ayarlanmış sıkılan vida sayısına göre bakım zamanı gelmiştir.	Sarı yanıp söner.	-	Uygulama yazılımıyla alarmı sıfırlayın.
Veri iletişimi mevcut değil alarmı (alet bilgisayara bağlıyken)	Bağlantı olmasına rağmen alet ile bilgisayar arasında veri alışverişi yapılamamaktadır.	Sarı yanıp söner.	-	Uygulama yazılımını yeniden başlatın ve USB kablosunu tekrar bağlayın.
Veri iletişimi mevcut göstergesi (alet bilgisayara bağlıyken)	Alet bilgisayara bağlanmıştır ve veri iletişimi mevcuttur.	Yeşil yanıp söner.	-	-

## Sıkma torkunun ayarlanması

Makine vidalarını, altıgen civataları, vb. önceden belirlenmiş bir torkla vidalamak isterseniz sıkma torkunu şu şekilde ayarlayın.

1. Batarya kartuşunu takın.
2. Deliği görebilmeniz için değiştirme plakasını elle açın.  
► **Şek.7:** 1. Değiştirme plakası
3. Ayar bileziği dönerek deliğin görünür hale gelmesi için anahtar tetiğe basıp bırakın. Daha sonra batarya kartuşunu çıkarın.
4. Sıkma torkunu ayarlamak için opsiyonel ayar tutamağını kullanın. Ayar tutamağının pimini aletin ön kısmındaki deliğe sokun. Daha sonra ayar tutamağını daha büyük bir sıkma torku ayarlamak için saat yönünde, daha küçük bir sıkma torku ayarlamak için saatin aksi yönünde çevirin. Sarı çizgiyi kaba bir kılavuz olarak kullanın.  
► **Şek.8:** 1. Ayar tutamağı 2. Ayar tutamağı için delik 3. Sarı çizgi
5. Batarya kartuşunu takın ve bir sıkma torku test aygıtı kullanarak bir sıkma torkunun ayarlanmış olduğunu kontrol edin.
6. Değiştirme plakasını elle sıkıca kapatın.

## Yüksüz hız ve dönüş açısını, vb. ayarlanması

Aletin yüksüz hızını, devir sayısını, vb. bilgisayarınızla ayarlayabilirsiniz. Uygulama yazılımını bilgisayarıza yükleyin ve bir USB kablosu ile bilgisayarı alete bağlayın.

- **Şek.9:** 1. USB kablosu 2. USB kapağı 3. USB bağlantı noktası

**ÖNEMLİ NOT:** Sıkma sırasında USB kapağının kapalı olduğundan emin olun.

**NOT:** Uygulama yazılımı için lütfen Makita satış temsilcisine başvurun.

## MONTAJ

**⚠DİKKAT:** Alet üzerinde herhangi bir iş yapmadan önce aletin kapalı ve batarya kartuşunun ayrıldığından daima emin olun.

## Doğru lokmanın seçilmesi

Uygulamaya bağlı olarak bazı modeller için farklı türde lokmalar mevcuttur. Uygulamanız için doğru bir lokma seçerek takın.

## Lokmanın takılması veya çıkarılması

- **Şek.10:** 1. Lokma 2. Delik 3. Pim

Lokmayı takmak için kare uçlu geçme anahtarının üzerindeki pimi bir elinizle bastırırken aletin kare uçlu geçme anahtarına lokmayı diğer elinizle yerine kilitlenene dek bastırarak takın. Lokmayı çıkarmak için, kare uçlu geçme anahtarının üzerindeki pimi bastırarak lokmayı çekip çıkarın.

**⚠DİKKAT:** Çalıştırmadan önce lokmanın kare uçlu geçme anahtarına düzgün bir şekilde kilitlendiğinden emin olun. Lokmanın kusurlu takılması yaralanmaya neden olabilir.

## Tornavida ucunun/lokma ucunun takılması ya da çıkarılması

**Ülkeye özgü**

- **Şek.11**

Sadece şekilde gösterilen takma kısımları olan tornavida ucunu/lokma ucunu kullanın. Başka herhangi bir tornavida/lokma ucu kullanmayın.

**Tornavida ucu takma deliği sığ olan alet için**

A=12 mm  
B=9 mm

Sadece bu tip tornavida uçlarını kullanın. 1 no.lu prosedürünü izleyin. (Not) Uç eki gerekli değildir.

## Tornavida ucu takma deliği derin olan alet için

A=17 mm B=14 mm	Bu tür uçları takmak için 1 no.lu prosedürü kullanın.
A=12 mm B=9 mm	Bu tür uçları takmak için 2 no.lu prosedürü kullanın. (Not) Ucu takmak için uç eki gereklidir.

### ► Şek.12: 1. Tornavida ucu 2. Kovan

Tornavida ucunu takmak için, kovayı ok yönünde çekin ve tornavida ucunu girebildiği kadar kovana geçirin. Sonra tornavida ucunu sabitlemek için kovayı serbest bırakın.

Ucu çıkarmak için, kovayı ok yönünde çekin ve tornavida ucunu dışarı çekin.

**NOT:** Eğer tornavida ucu kovanın içine yeterince derin sokulmazsa kovan orijinal konumuna dönmez ve uç sabitlenmez. Bu durumda, ucu yukarıdaki talimatlara göre yeniden takmaya çalışın.

**NOT:** Tornavida ucunu takmak zor olduğunda, manşonu çekin ve ucu manşon içinde gidebileceği kadar ileri yerleştirin.

**NOT:** Tornavida ucunu taktıktan sonra, sıkı şekilde sabitlendiğinden emin olun. Eğer dışarı çıkıyorsa, ucu kullanmayın.

## Kancanın takılması

### İsteğe bağlı aksesuar

Kanca, aleti asmak için kullanışlıdır. Kancayı aletin gövdesindeki deliklere takın.

### ► Şek.13: 1. Kanca 2. Delik

## KULLANIM

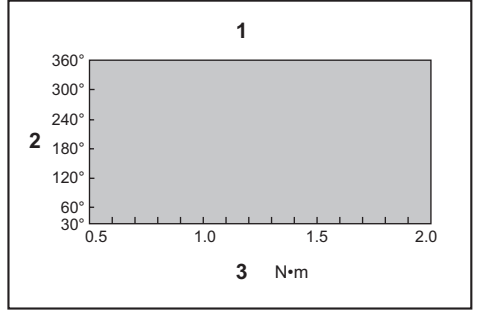
Aleti sıkıca tutarak lokmayı civata veya somunun üzerine yerleştirin. Ardından aleti açık konuma getirin. Kavrama devreye girdiğinde, motor otomatik olarak durur. Daha sonra anahtar tetiği bırakın.

**NOT:** Aleti, kare uçlu geçme anahtarları civata veya somuna düz bakacak şekilde tutun, aksi takdirde civata veya somun hasar görür.

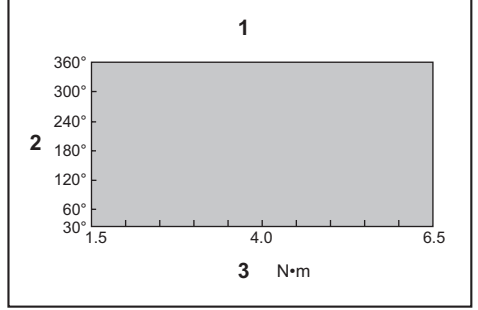
## Sıkma kapasitesi sınırları

Aleti sıkma kapasitesi sınırları dahilinde kullanın. Aleti sınırların dışında kullanırsanız kavrama çalışmaz. Ve alet yeterli sıkma torkunu sağlayamaz.

## Model DFL020F için



## Model DFL063F için



**NOT:** Dönüş açısı, civatanın istenen torkun %50'sine kadar sıklığı noktadan civatanın %100 torka sıklığı noktaya olan açıdır.

**NOT:** Tam şarjlı olsa bile soğuk bir batarya kartuşu kullanılması, LED göstergesi ve bipleyici ile batarya kapasitesi uyarısı verebilir ve aleti anında durdurabilir. Bu durumda sıkma kapasitesi bu kılavuzdaki teknik özelliklerden düşük olabilir.

## BAKIM

**⚠ DİKKAT:** Muayene ya da bakım yapmadan önce aletin kapalı ve batarya kartuşunun çıkartılmış olduğundan daima emin olun.

**ÖNEMLİ NOT:** Benzin, tiner, alkol ve benzeri maddeleri kesinlikle kullanmayın. Renk değişimi, deformasyon veya çatlaklar oluşabilir.

Aleti EMNİYETLİ ve ÇALIŞMAYA HAZIR durumda tutmak için onarımlar, başka her türlü bakım ve ayarlamalar daima Makita yedek parçaları kullanılarak Makita yetkili servis merkezleri veya Fabrikanın Servis Merkezleri tarafından yapılmalıdır.

# İSTEĞE BAĞLI AKSESUARLAR

**⚠ DİKKAT:** Bu aksesuarlar ve ek parçalar bu el kitabında belirtilen Makita aletiniz ile kullanılmak için tavsiye edilmektedir. Herhangi başka bir aksesuar ya da ek parça kullanılması insanlar için bir yaralanma riski getirebilir. Aksesuarları ya da ek parçaları yalnızca belirtilmiş olan kullanım amaçlarına uygun olarak kullanın.

Bu aksesuarlarla ilgili daha fazla bilgiye ihtiyaç duyar-sanız bulunduğunuz yerdeki yetkili Makita servisine başvurun.

- Orijinal Makita batarya ve şarj aleti
- Koruyucu (Sarı, Mavi, Kırmızı, Saydam, Yeşil)
- Ayar tutamağı
- Mil kompleksi
- Kanca

**NOT:** Listedeki parçaların bazıları alet paketi içerisinde standart aksesuar olarak dahil edilmiş olabilir. Bunlar ülkeden ülkeye farklılık gösterebilir.



**Makita Europe N.V.** Jan-Baptist Vinkstraat 2,  
3070 Kortenberg, Belgium

**Makita Corporation** 3-11-8, Sumiyoshi-cho,  
Anjo, Aichi 446-8502 Japan

[www.makita.com](http://www.makita.com)

885719-997 EN, FR, DE, IT, NL, ES, PT, DA, EL, TR 20190918
---