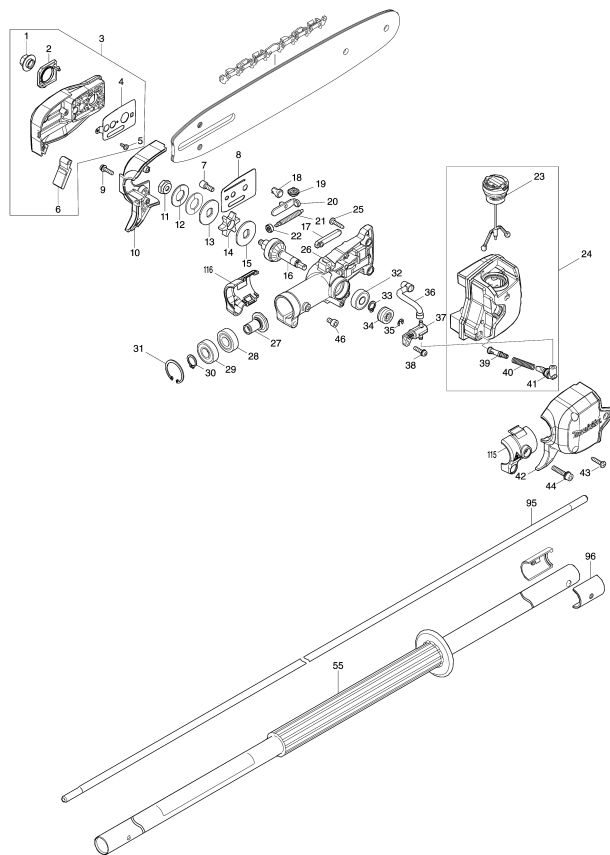
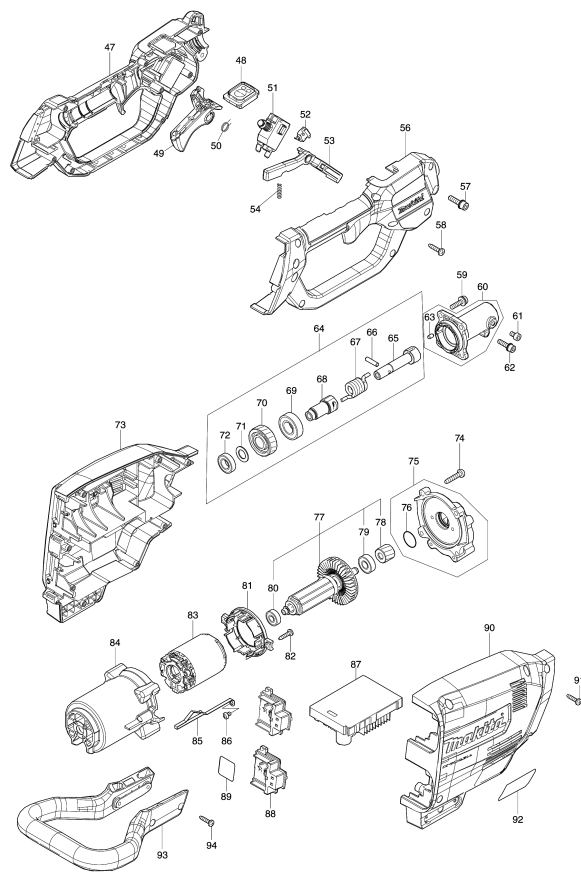


Model No.DUA300 300MM CORDLESS POLE SAW



Model No.DUA300 300MM CORDLESS POLE SAW



Model No.DUA300 300MM CORDLESS POLE SAW

Item	Parts No.	Description	L/C	Qty	New/Old	Opt. 1	Opt. 2	Note
001	162494-8	FLANGE NUT COMPLETE		1				
002	412638-3	NUT COVER		1				
003	136373-6	SPROCKET COVER ASSY		1				
	D10	INC. 1,2,4-6						
004	347707-0	GUIDE PLATE L		1				
005	265954-0	TAPPING SCREW BIND PT3X8		1				
006	422599-9	CHIP GUIDE		1				
007	266905-6	H.L. SOCKET HEAD BOLT M5X12		1				
008	347708-8	GUIDE PLATE R		1				
009	911128-8	P.H.SCREW M4X16 WITH WR		2				
010	183P83-2	GEAR CASE HOUSING SET		1				
	D10	INC. 42						
011	252291-1	HEX. NUT M6		1				
012	232626-2	CORNED DISK SPRING 14		2				
013	347705-4	LOCK WASHER 12		1				
014	226992-7	SPROCKET 6		1				
015	347705-4	LOCK WASHER 12		1				
016	141D34-9	SPINDLE COMPLETE A		1				
017	422602-6	GROMET		1				
018	227620-7	DRIVE GEAR		1				
019	227634-6	STRAIGHT BEVEL GEAR 14		1				
020	347706-2	TENSION SLIDE		1				
021	327606-2	ADJUST SCREW		1				
022	227496-2	STRAIGHT BEVEL GEAR 14		1				
023	126832-8	TANK CAP ASSEMBLY		1				
	C10	O-RING 25		1				
024	136372-8	OIL TANK ASSEMBLY		1				
	D10	INC. 23,39-41						
025	266326-2	TAPPING SCREW 4X18		3				
026	136301-1	GEAR CASE ASSEMBLY		1				
	C10	O RING 28		1				
027	141D35-7	SPIRAL BEVEL GEAR 18 COMPLETE		1				
028	211131-2	BALL BEARING 6001DDW		1				
029	211148-5	BALL BEARING 6001ZZ		1				
030	961052-5	RETAINING RING S-12		1				
031	962106-1	RETAINING RING R-28		1				
032	211491-2	BALL BEARING 609DDW		1				
033	961005-4	RETAINING RING S-9		1				
034	226884-0	WORM GEAR		1				
035	961011-9	STOP RING E-4		1				
036	422600-0	OIL TUBE 3-70		1				

Model No.DUA300 300MM CORDLESS POLE SAW

Item	Parts No.	Description	L/C	Qty	New/Old	Opt. 1	Opt. 2	Note
037	140U04-7	OIL PUMP COMPLETE		1				
038	911128-8	P.H.SCREW M4X16 WITH WR		1				
039	452666-6	NIPPLE		1				
040	231975-4	SPRING		1				
041	422601-8	OIL TUBE 3-14		1				
042	183P83-2	GEAR CASE HOUSING SET		1				
	D10	INC. 10						
043	266326-2	TAPPING SCREW 4X18		3				
044	922243-3	HEX. SOCKET HEAD BOLT M5X25		1				
046	922202-7	HEX. SOCKET HEAD BOLT M5X8		1				
047	183P85-8	GRIP SET		1				
	C10	HEX. NUT M5		1				
	D10	INC. 56						
048	140V21-3	SWITCH CIRCUIT COMPLETE		1				
	C10	819S81-5 SWITCH LABEL		1				
049	459758-2	SWITCH LEVER		1				
050	233622-3	TORSION SPRING 12		1				
051	651438-8	SWITCH C3JW-6B-PAN		1				
052	632G61-0	SWITCH UNIT		1				
053	459759-0	LOCK OFF LEVER		1				
054	233101-1	COMPRESSION SPRING 4		1				
055	140V09-3	PIPE 24 COMPLETE B		1				
	C10	8016N5-5 CAUTION LABEL		1				
056	183P85-8	GRIP SET		1				
	C10	931202-6 HEX. NUT M5		1				
	D10	INC. 47						
057	922233-6	H.S.H.BOLT M5X20 WITH WR		1				
058	266326-2	TAPPING SCREW 4X18		8				
059	911233-1	PAN HEAD SCREW M5X20		4				
060	136371-0	PIPE BRACKET ASSY		1				
	D10	INC. 63						
061	922202-7	HEX. SOCKET HEAD BOLT M5X8		1				
062	922233-6	H.S.H.BOLT M5X20 WITH WR		1				
063	263002-9	RUBBER PIN 4		1				
064	127641-8	DAMPER SHAFT ASSEMBLY		1				
	D10	INC. 65-72						
065	327600-4	JOINT SLEEVE		1				
066	256964-8	PIN 5		1				
067	232625-4	TORSION SPRING 12		1				
068	327601-2	SPINDLE HUB		1				
069	211232-6	BALL BEARING 6002LLU		1				

Model No.DUA300 300MM CORDLESS POLE SAW

Item	Parts No.	Description	I/C	Qty	New/Old	Opt. 1	Opt. 2	Note
070	226997-7	HELICAL GEAR 33		1				
071	253744-3	FLAT WASHER 12		1				
072	211150-8	BALL BEARING 6901ZZ		1				
073	183P84-0	HOUSING SET		1				
C10	263005-3	RUBBER PIN 6		10				
D10		INC. 90						
074	266459-3	TAPPING SCREW 5X25		4				
075	136230-8	GEAR BOX ASS'Y		1				
D10		INC. 76						
076	213961-7	O RING 22		1				
077	510470-0	ROTOR ASS'Y		1				
D10		INC. 78-80						
078	226996-9	HELICAL GEAR 16		1				
079	210005-4	BALL BEARING 608DDW		1				
080	210062-2	BALL BEARING 607ZZ		1				
081	459764-7	BAFFLE PLATE		1				
082	266326-2	TAPPING SCREW 4X18		2				
083	629A12-6	STATOR		1				
084	459763-9	MOTOR HOUSING		1				
085	347620-2	PLATE		1				
086	911102-6	PAN HEAD SCREW M4X6		1				
087	620C83-8	CONTROLLER		1				
088	644809-6	TERMINAL		2				
089	857J52-0	DUA300 SERIAL NO. LABEL		1				
090	183P84-0	HOUSING SET		1				
C10	263005-3	RUBBER PIN 6		10				
D10		INC. 73						
091	266326-2	TAPPING SCREW 4X18		8				
092	857J50-4	DUA301 NAME PLATE		1				
093	412645-6	GUARD		1				
094	266326-2	TAPPING SCREW 4X18		4				
095	327608-8	SHAFT		1				
096	312A03-1	SLEEVE 28		2				
115	183R91-5	GEAR CASE COVER SET		1				
D10		INC. 116						
116	183R91-5	GEAR CASE COVER SET		1				
D10		INC. 115						
A01	165245-8	GUIDE BAR 12		1				
A02	419288-5	CHAIN COVER		1				
A03	196740-7	SAW CHAIN SET		1				
A04	782023-7	WRENCH 13-16		1				
A05	195923-6	ROUND FILE 4.5 SET		1				

Please order the parts with part number.

Print Date 13/11/2020

Model No.DUA300 300MM CORDLESS POLE SAW

Item	Parts No.	Description	I/C	Qty	New/Old	Opt. 1	Opt. 2	Note
A06	199897-3	OIL VESSEL SET		1				
A10	191K37-5	BAND ASSEMBLY SET		1				

Please order the parts with part number.

Print Date 13/11/2020