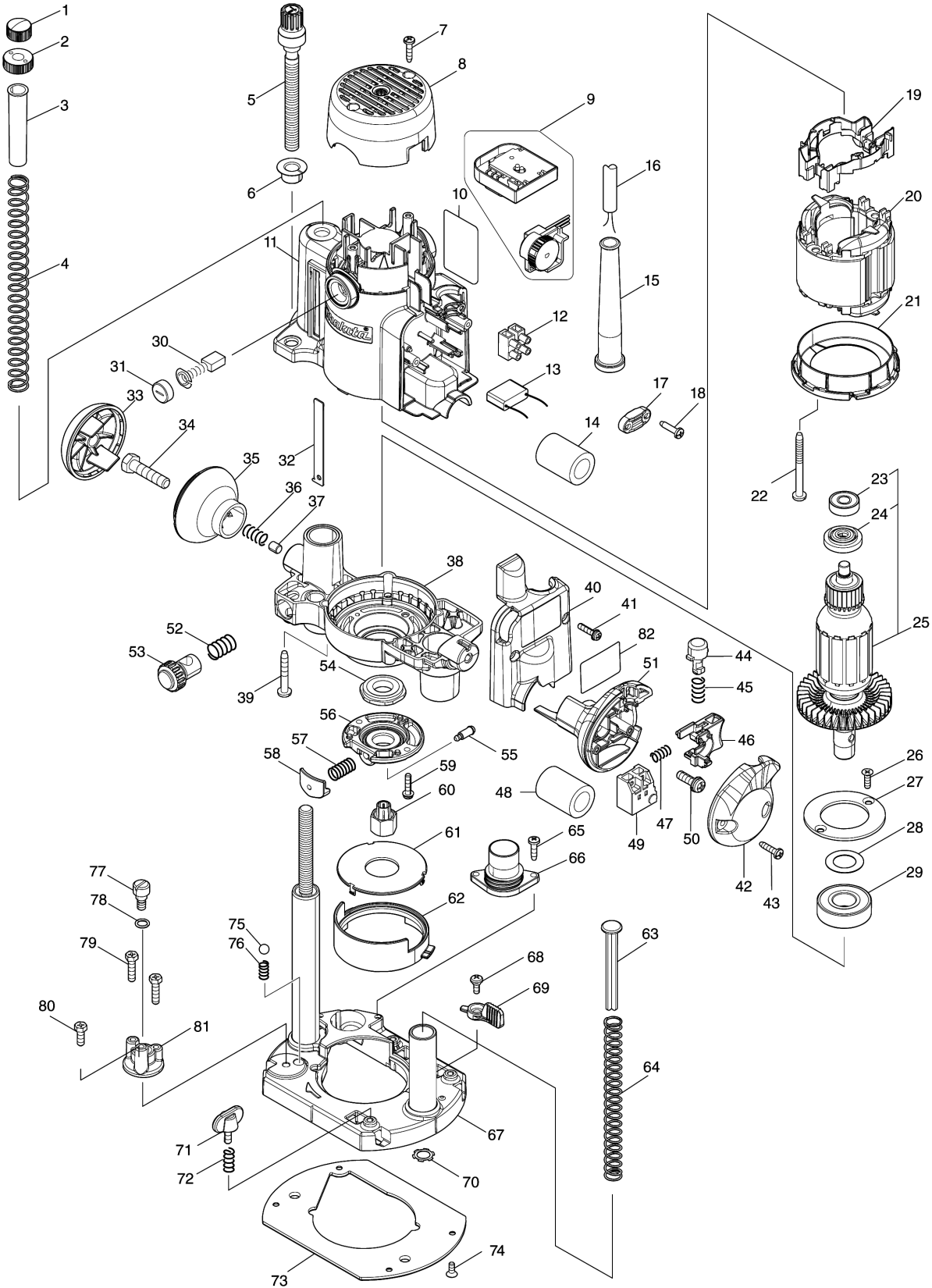


Model No.RP1111C ROUTER



Model No.RP1111C ROUTER

Item	Parts No.	Description	I/C	Qty	New/Old	Opt. 1	Opt. 2	Note
001	252643-6	WING NUT M10		1				
002	410129-8	NYLON NUT M10		1				
003	417320-9	SILENT POLE		1				
004	233287-1	COMPRESSION SPRING 13		1				
005	265739-4	THUMB SCREW M10X90		1				
006	417247-3	DEPTH POINTER		1				
007	265995-6	TAPPING SCREW 4X18		2				
008	413A65-3	REAR COVER		1				
009	620H12-1	CONTROLLER		1				
010	8111U8-0	RP1111C NAME PLATE		1				
011	141F71-5	MOTOR HOUSING COMPLETE		1				
C10	643708-9	BRUSH HOLDER 5-11		2				
012	654531-7	TERMINAL BLOCK 2P		1				
013	645200-1	NOISE SUPPRESSOR		1				
014	685722-9	SPONGE		1				
015	682566-8	CORD GUARD 10		1				
016	665890-4	POWER SUPPLY CORD 1.0-2-4.0		1				
017	687052-4	STRAIN RELIEF		1				
018	265995-6	TAPPING SCREW 4X18		2				
019	638000-6	SUPPORT COMPLETE		1				
020	634363-8	FIELD 220-240V		1				
021	413078-8	BAFFLE PLATE		1				
022	266095-5	TAPPING SCREW 5X55		2				
023	210005-4	BALL BEARING 608DDW		1				
024	681650-6	INSULATION WASHER		1				
025	516398-0	ARMATURE ASS'Y 220-240V		1				
C10	240034-3	FAN 70		1				
D10		INC. 23,24						
026	251295-0	+ COUNTERSUNK HEAD SCREW M4X14		2				
027	285657-0	BEARING RETAINER 50		1				
028	267114-0	FLAT WASHER 17		1				
029	211278-2	BALL BEARING 6203DDW		1				
030	191963-2	CARBON BRUSH CB-303		1				
031	643515-0	HOLDER CAP 7-11		2				
032	816792-9	SCALE PLATE		1				
033	417249-9	KNOB COVER		1				
034	265479-4	HEX. BOLT M8X35		1				
035	417248-1	KNOB		1				
036	233288-9	COMPRESSION SPRING 8		1				
037	323856-7	LOCK PIN		1				
038	152619-2	MOTOR BRACKET COMPLETE		1				

Model No.RP1111C ROUTER

Item	Parts No.	Description	I/C	Qty	New/Old	Opt. 1	Opt. 2	Note
039	266012-5	TAPPING SCREW 5X35		4				
040	417240-7	COVER		1				
041	911133-5	PAN HEAD SCREW M4X18		2				
042	417251-2	KNOB COVER R		1				
043	265995-6	TAPPING SCREW 4X18		2				
044	417255-4	LOCK-OFF BUTTON		1				
045	233288-9	COMPRESSION SPRING 8		1				
046	417254-6	TRIGGER		1				
047	233127-3	COMPRESSION SPRING 7		1				
048	685722-9	SPONGE		1				
049	651834-0	SWITCH SP115C		1				
050	911333-7	PAN HEAD SCREW M6X20		1				
051	417250-4	KNOB R		1				
052	231231-2	COMPRESSION SPRING 12		1				
053	153476-1	HALF NUT COMPLETE		1				
054	285701-3	RETAINER		1				
055	256437-1	PIN 4		1				
056	317365-6	RETAINER COVER		1				
057	233072-2	COMPRESSION SPRING 8		1				
058	417253-8	PUSH BUTTON		1				
059	911133-5	PAN HEAD SCREW M4X18		2				
060	193178-7	COLLET CONE 8 ASS'Y		1				
C10	763652-5	COLLET NUT		1				
061	417246-5	DUST GUIDE CAP		1				
062	417245-7	DUST GUIDE		1				
063	417252-0	POLE		1				
064	233286-3	COMPRESSION SPRING 11		1				
065	266034-5	TAPPING SCREW CT 4X16		2				
066	417256-2	NOZZLE JOINT		1				
067	152617-6	BASE COMPLETE		1				
068	265028-7	+ PAN HEAD SCREW M4X11		1				
069	417257-0	LOCK LEVER		1				
070	259037-6	SELF LOCK 16		1				
071	265720-5	THUMB SCREW M5X14		3				
072	231240-1	COMPRESSION SPRING 7		3				
073	413079-6	BASE PLATE		1				
074	912112-6	COUNTERSUNK HEAD SCREW M4X10		4				
075	216009-4	STEEL BALL 7.1		1				
076	231419-4	COMPRESSION SPRING 5		1				
077	251467-7	- FLAT HEAD SCREW M6		1				
078	213030-4	O RING 8		1				
079	265587-1	+HEX. BOLT M5X20		2				

Please order the parts with part number.

Print Date 30/9/2021

Model No.RP1111C ROUTER

Item	Parts No.	Description	I/C	Qty	New/Old	Opt. 1	Opt. 2	Note
080	265586-3	+HEX. BOLT M5X14		1				
081	315931-3	STOPPER		1				
082	8041J2-2	INDICATION LABEL		1				
A01	122609-9	NOZZLE ASS'Y		1				
A02	164834-6	STRAIGHT GUIDE		1				
A03	122615-4	DUST NOZZLE ASS'Y		1				
A04	344904-9	TEMPLET GUIDE 12		1				
A05	781008-0	WRENCH 17		1				
A06	915111-7	BINDING HEAD SCREW M4X10		2				
A07	194579-2	GUIDE RAIL ADAPTER SET		1				
A08	821551-8	CONNECTOR PLASTIC CASE (TYPE3)		1				
C10	453974-8	LATCH		4				
A09	837660-3	INNER TRAY		1				
A10	8042J6-0	RP1111CJFA INDICATION LABEL		1				
A11	8042J9-4	RP1111CJFA PLASTIC CASE LABEL		2				
A12	A-88054	12PC ROUTER BIT SET 8MM SHANK		1	*			
A12-1	D-53556	12PC ROUTER BIT SET 8MM SHANK	X	1				

Please order the parts with part number.

Print Date 30/9/2021